



US00D965113S

(12) **United States Design Patent**
Lin et al.

(10) **Patent No.:** **US D965,113 S**

(45) **Date of Patent:** **** Sep. 27, 2022**

(54) **FAUCET**

(71) Applicant: **XIAMEN LOTA INTERNATIONAL CO., LTD.**, Xiamen (CN)

(72) Inventors: **Zhiheng Lin**, Xiamen (CN); **Fahong Chen**, Xiamen (CN); **Yunlong Xie**, Xiamen (CN); **Liming Ye**, Xiamen (CN)

(73) Assignee: **XIAMEN LOTA INTERNATIONAL CO., LTD.**, Xiamen (CN)

(**) Term: **15 Years**

(21) Appl. No.: **29/840,962**

(22) Filed: **Jun. 2, 2022**

(51) **LOC (13) Cl.** **23-01**

(52) **U.S. Cl.**
USPC **D23/242**

(58) **Field of Classification Search**
USPC D23/238–243, 249–250, 252, 254–255, D23/257, 213; D8/307–308, 352–353
See application file for complete search history.

(56) **References Cited**

U.S. PATENT DOCUMENTS

D537,916 S	*	3/2007	Buttgen	D23/213
D754,823 S	*	4/2016	Garland	D23/252
D755,932 S	*	5/2016	Fritz	D23/242
D811,527 S		2/2018	Fritz		

D811,545 S	*	2/2018	Garland	D23/252
D839,390 S	*	1/2019	Eads	D23/242
D859,591 S	*	9/2019	Kuang	D23/242
D913,426 S	*	3/2021	Eads	D23/238
D930,118 S		9/2021	Elser		

* cited by examiner

Primary Examiner — Robert A Delehanty

(57) **CLAIM**

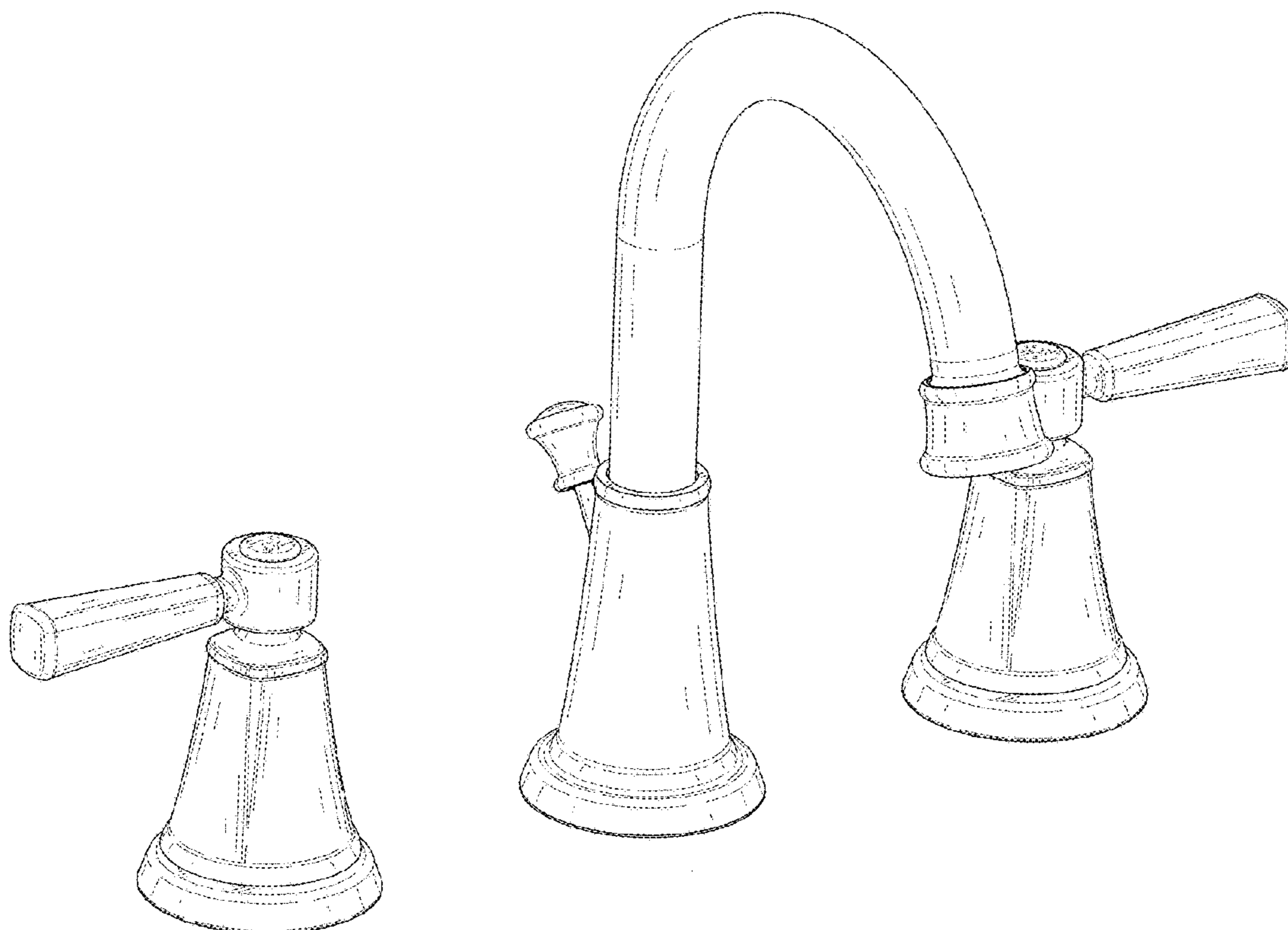
The ornamental design for a faucet, as shown and described.

DESCRIPTION

FIG. 1 is a perspective view of a first embodiment of a faucet showing our new design;
 FIG. 2 is another perspective view thereof;
 FIG. 3 is a front elevational view thereof;
 FIG. 4 is a rear elevational view thereof;
 FIG. 5 is a left side elevational view thereof;
 FIG. 6 is a right side elevational view thereof;
 FIG. 7 is a top plan view thereof;
 FIG. 8 is a bottom plan view thereof;
 FIG. 9 is a perspective view of a second embodiment of the faucet;
 FIG. 10 is another perspective view thereof;
 FIG. 11 is a front elevational view thereof;
 FIG. 12 is a rear elevational view thereof;
 FIG. 13 is a left side elevational view thereof;
 FIG. 14 is a right side elevational view thereof;
 FIG. 15 is a top plan view thereof; and,
 FIG. 16 is a bottom plan view thereof.

The broken lines in the drawings depict portions of the faucet that form no part of the claimed design.

1 Claim, 16 Drawing Sheets



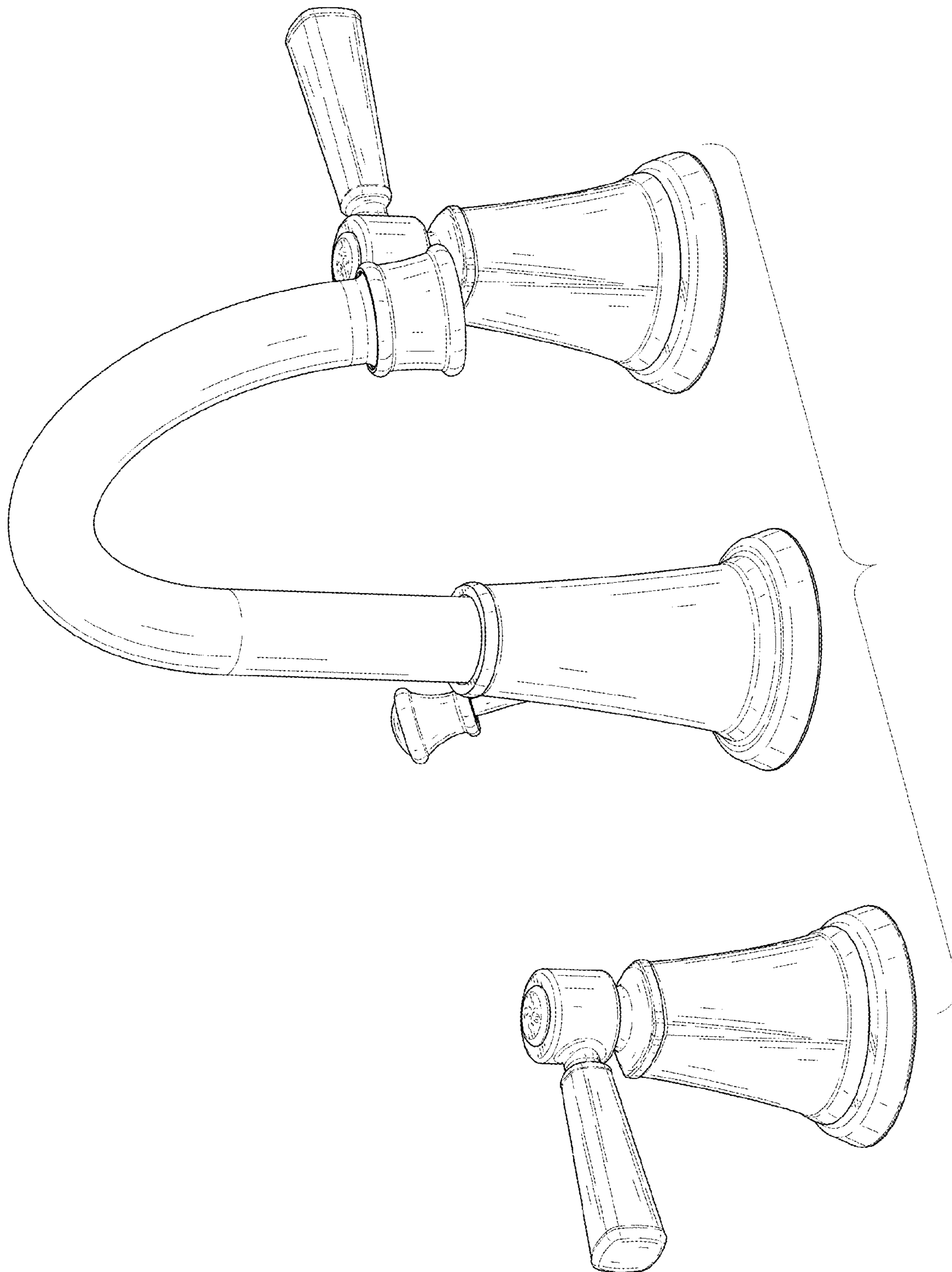


FIG. 1

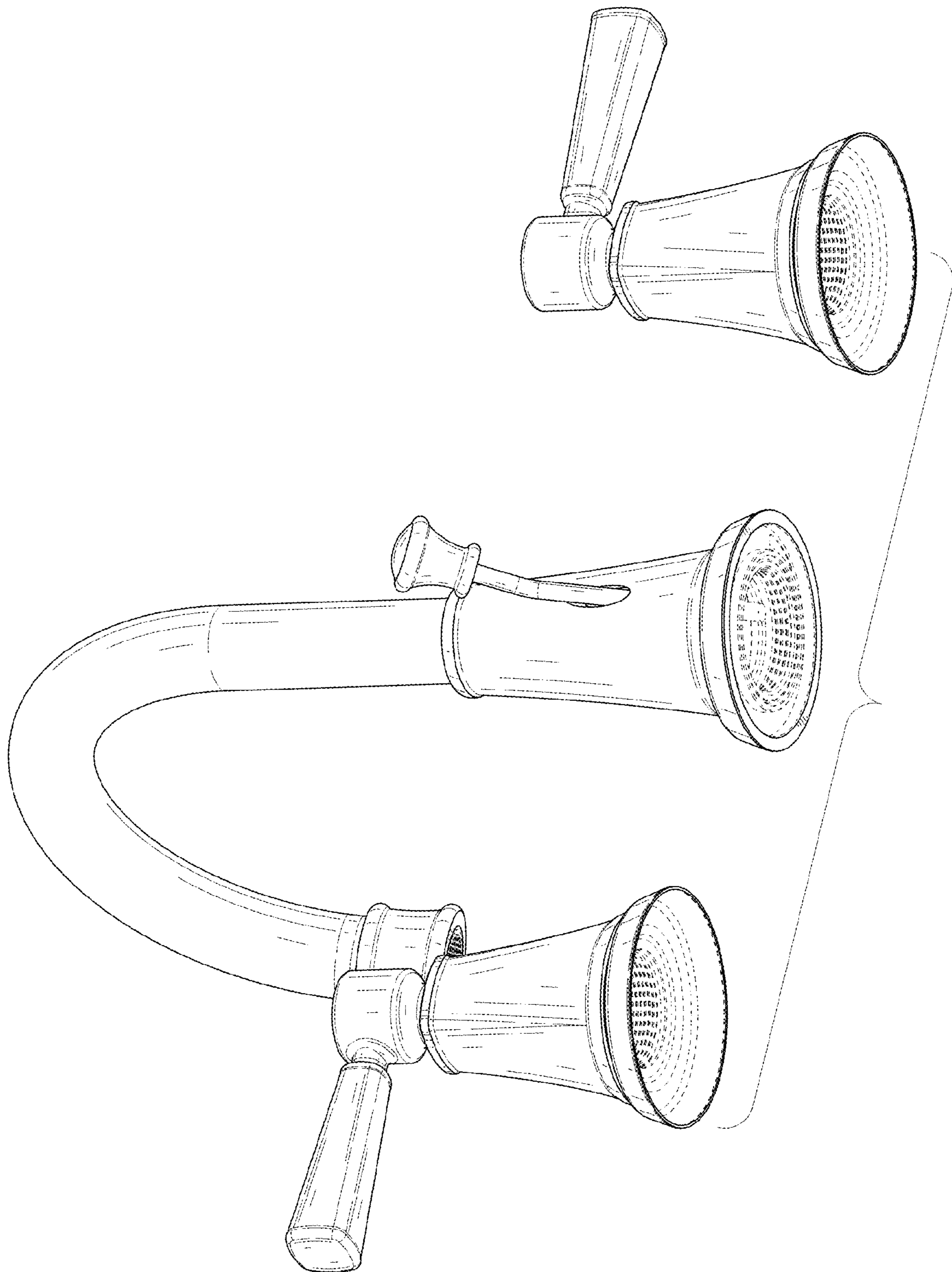


FIG. 2

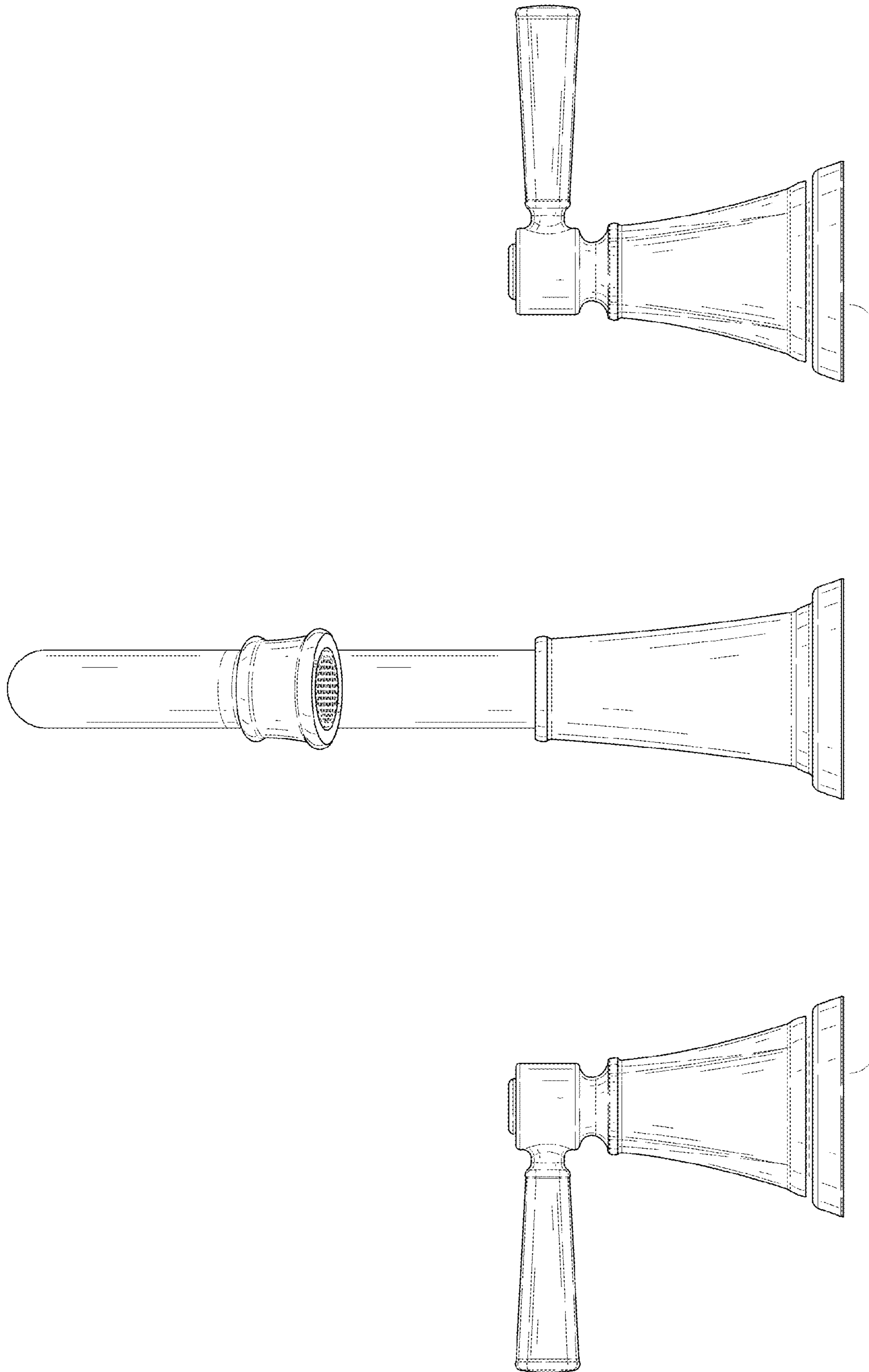


FIG. 3

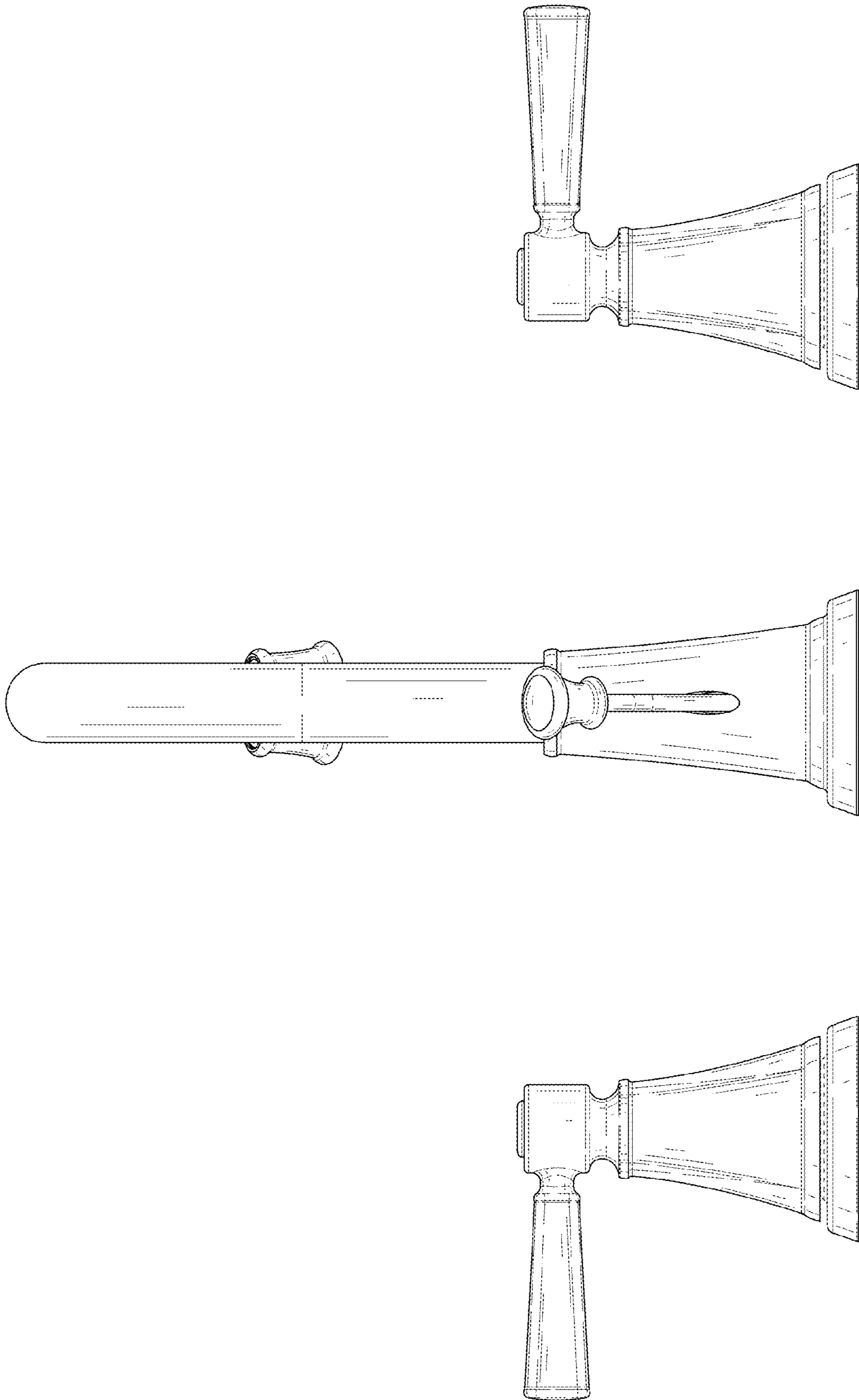


FIG. 4

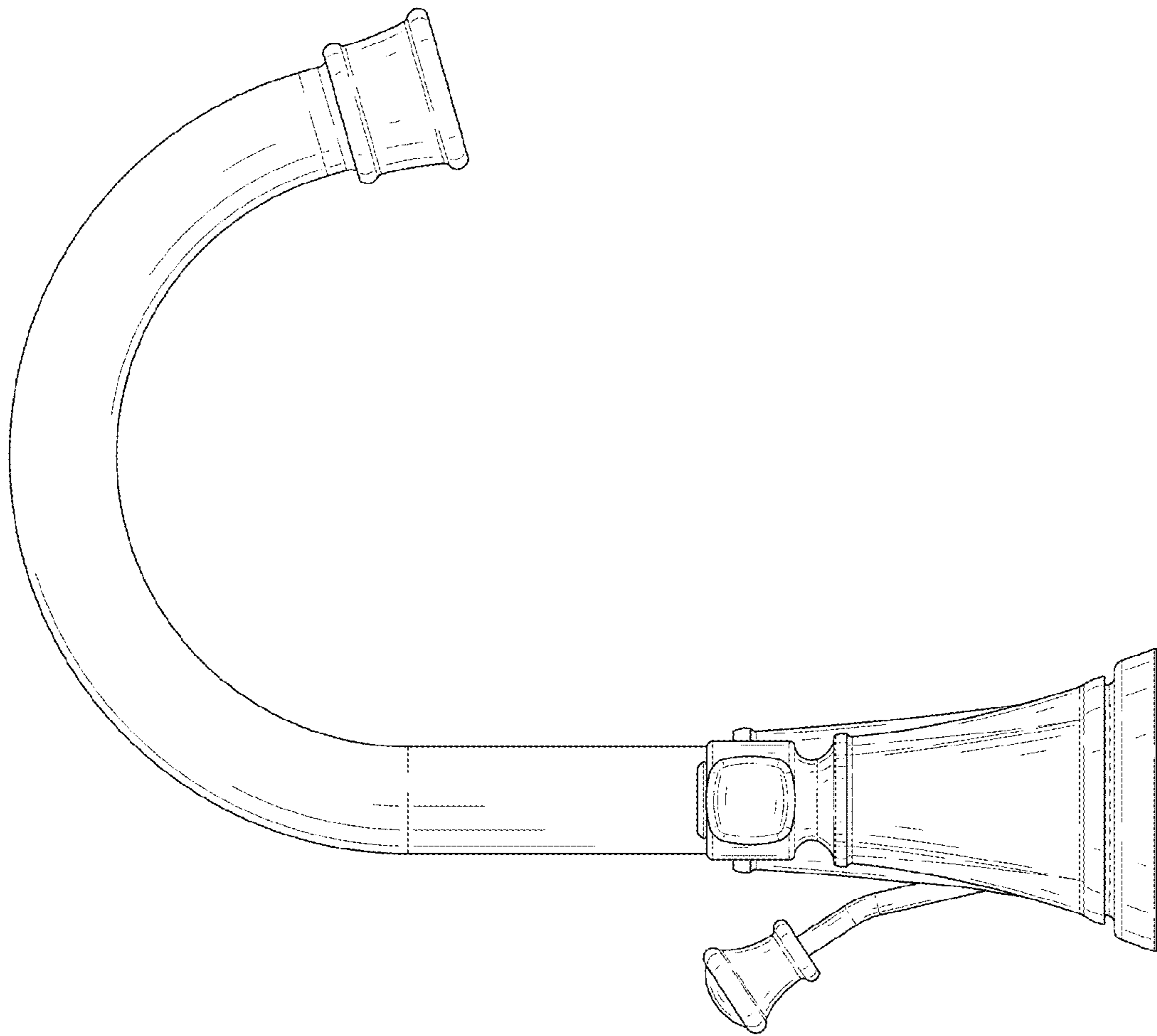


FIG. 5

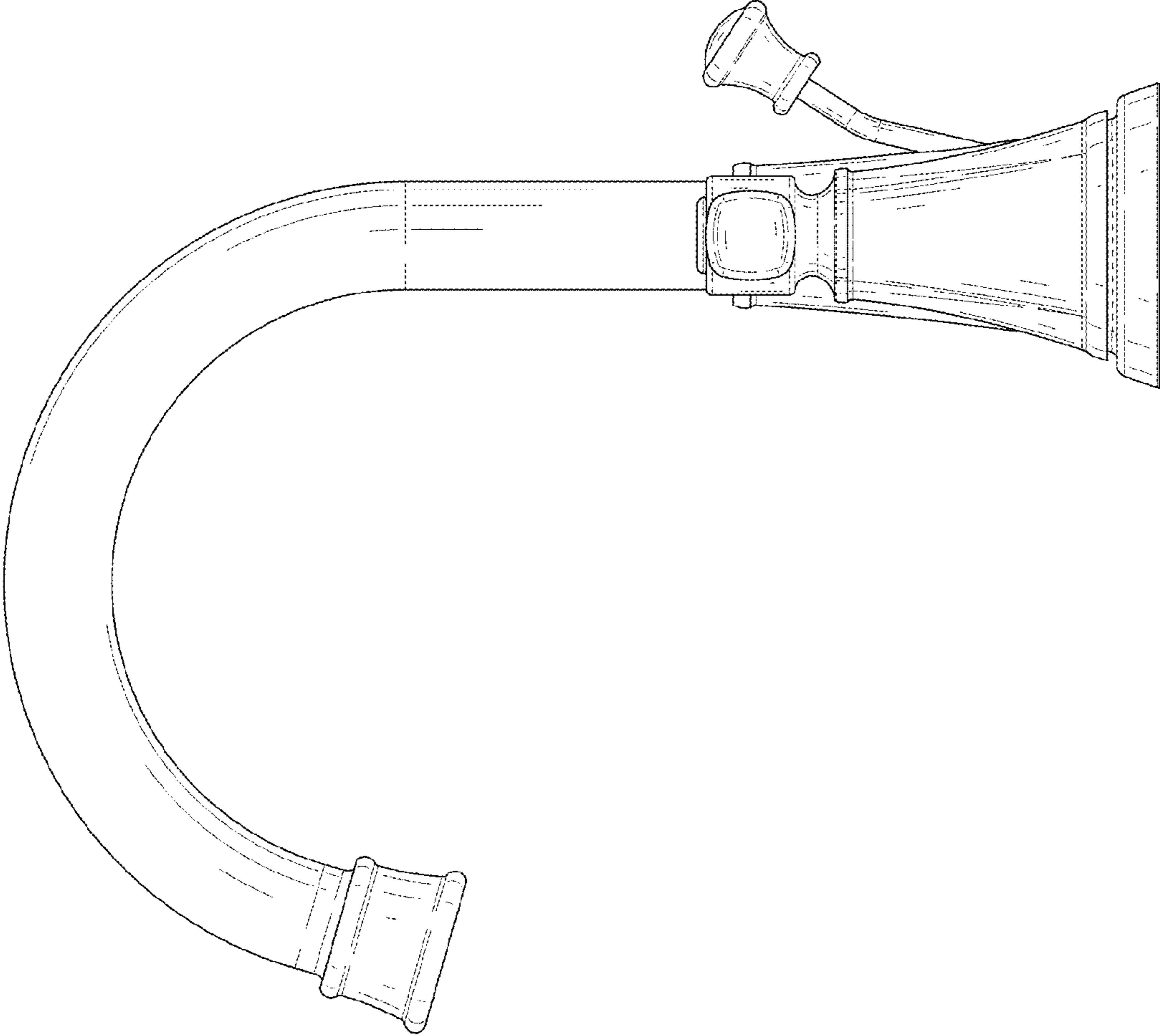


FIG. 6

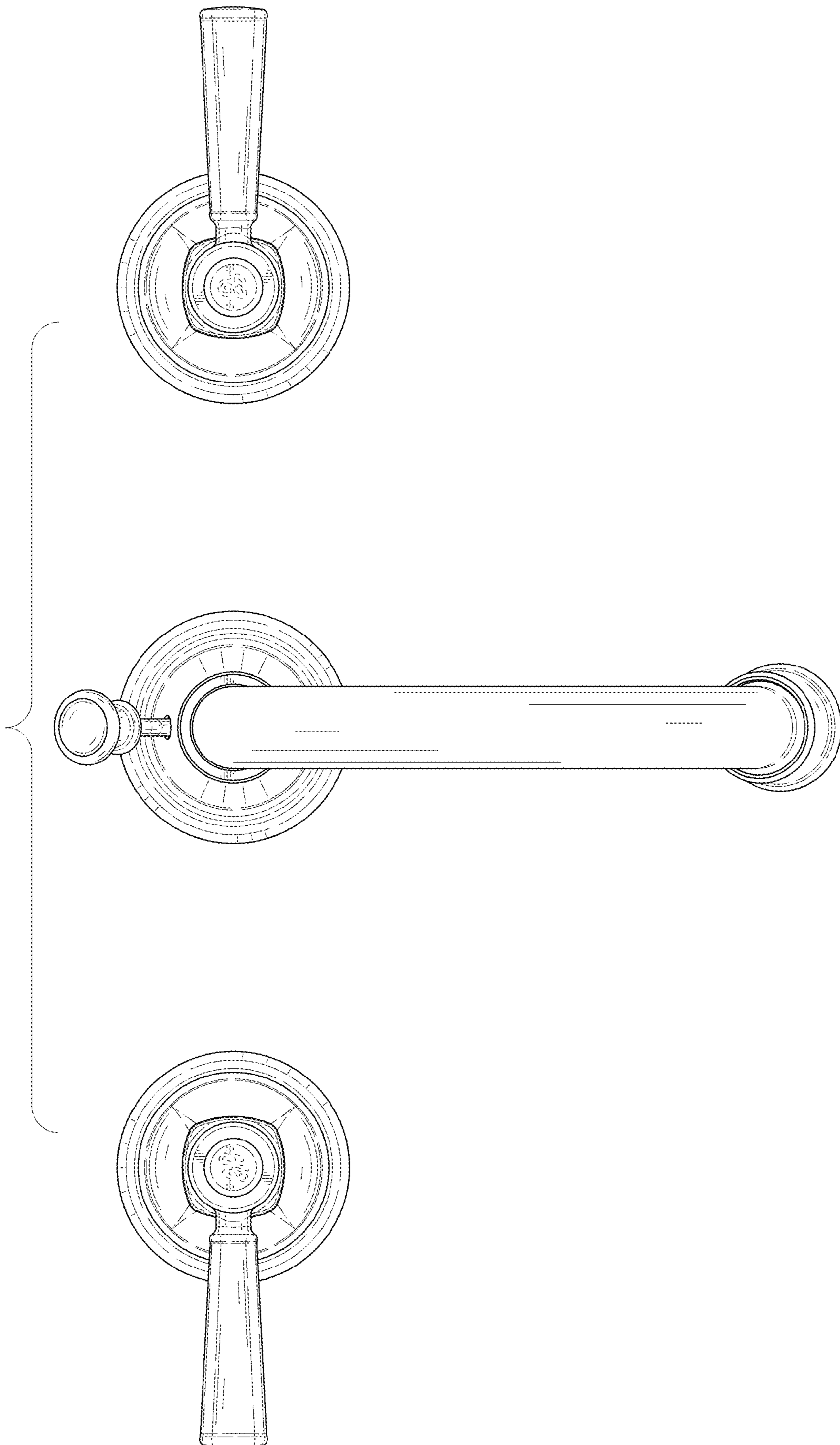


FIG. 7

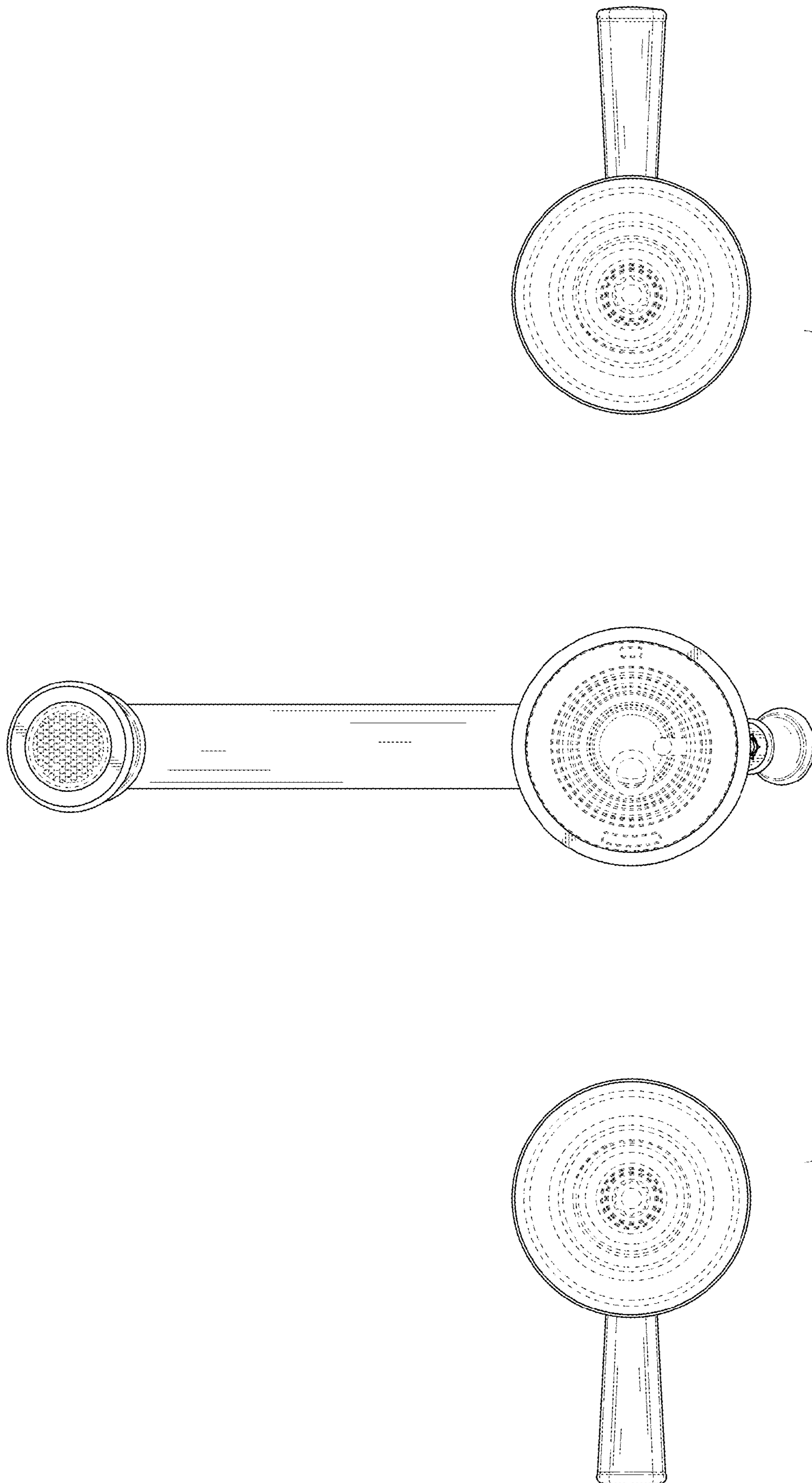


FIG. 8

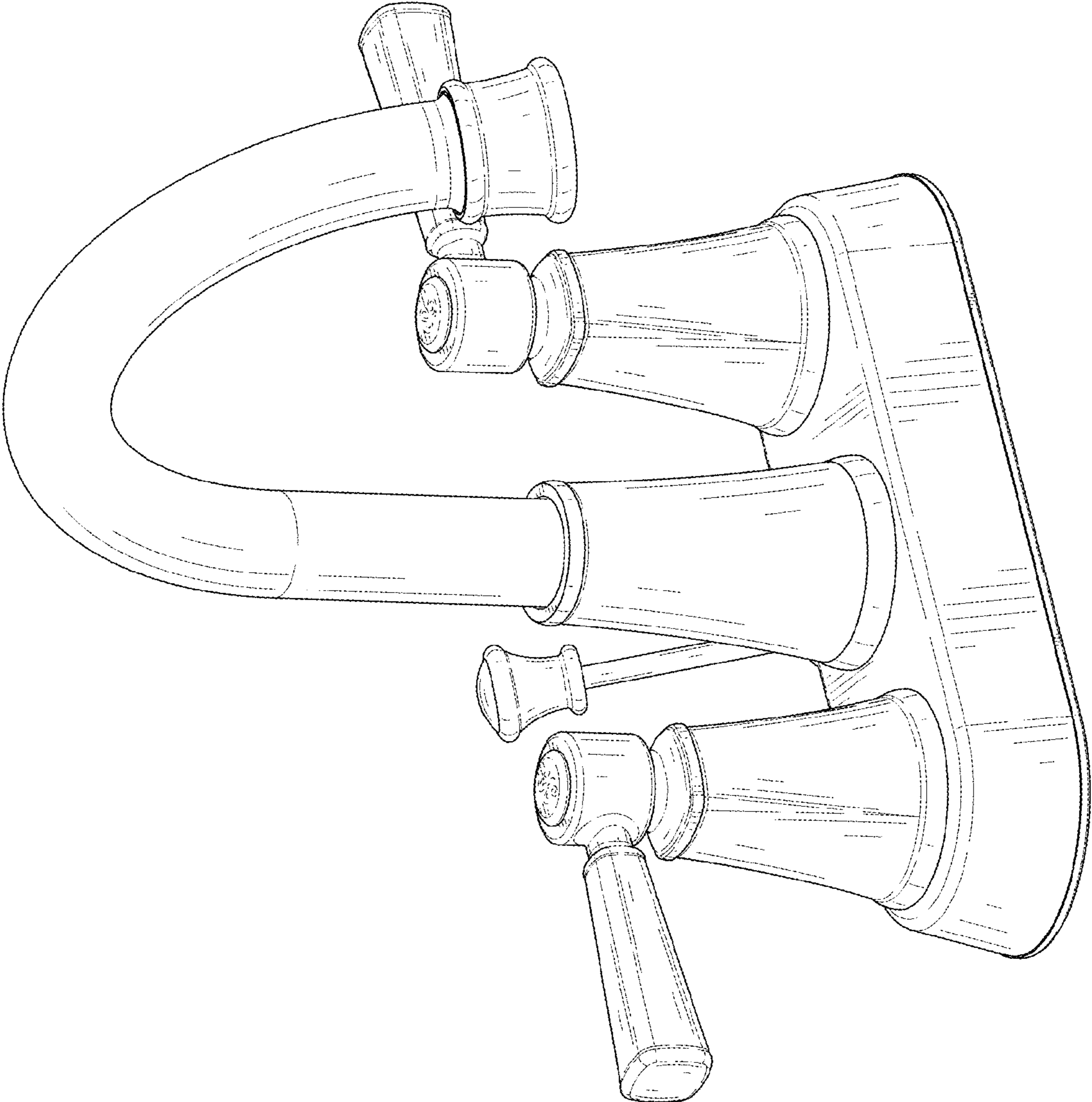


FIG. 9

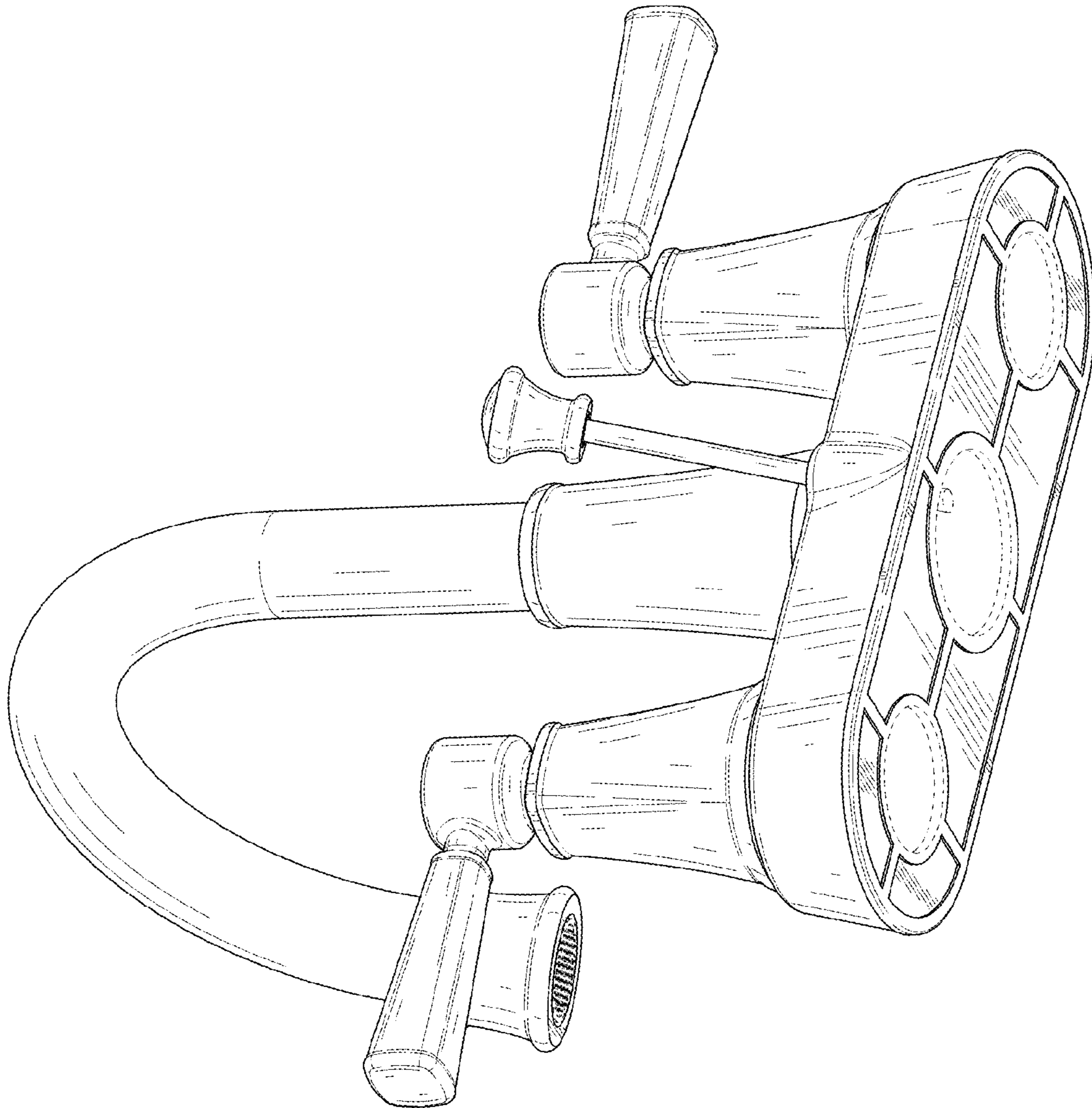


FIG. 10

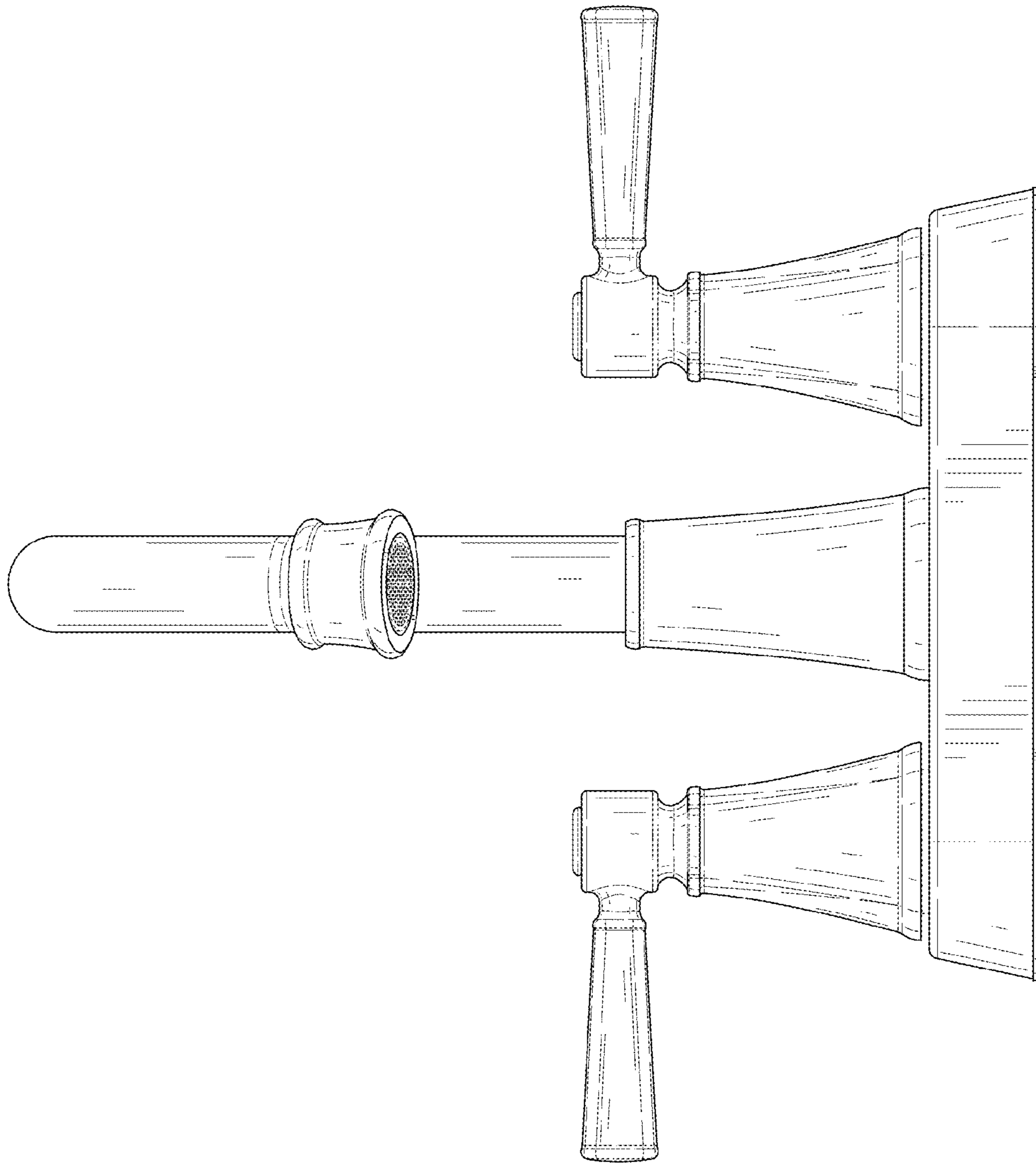


FIG. 11

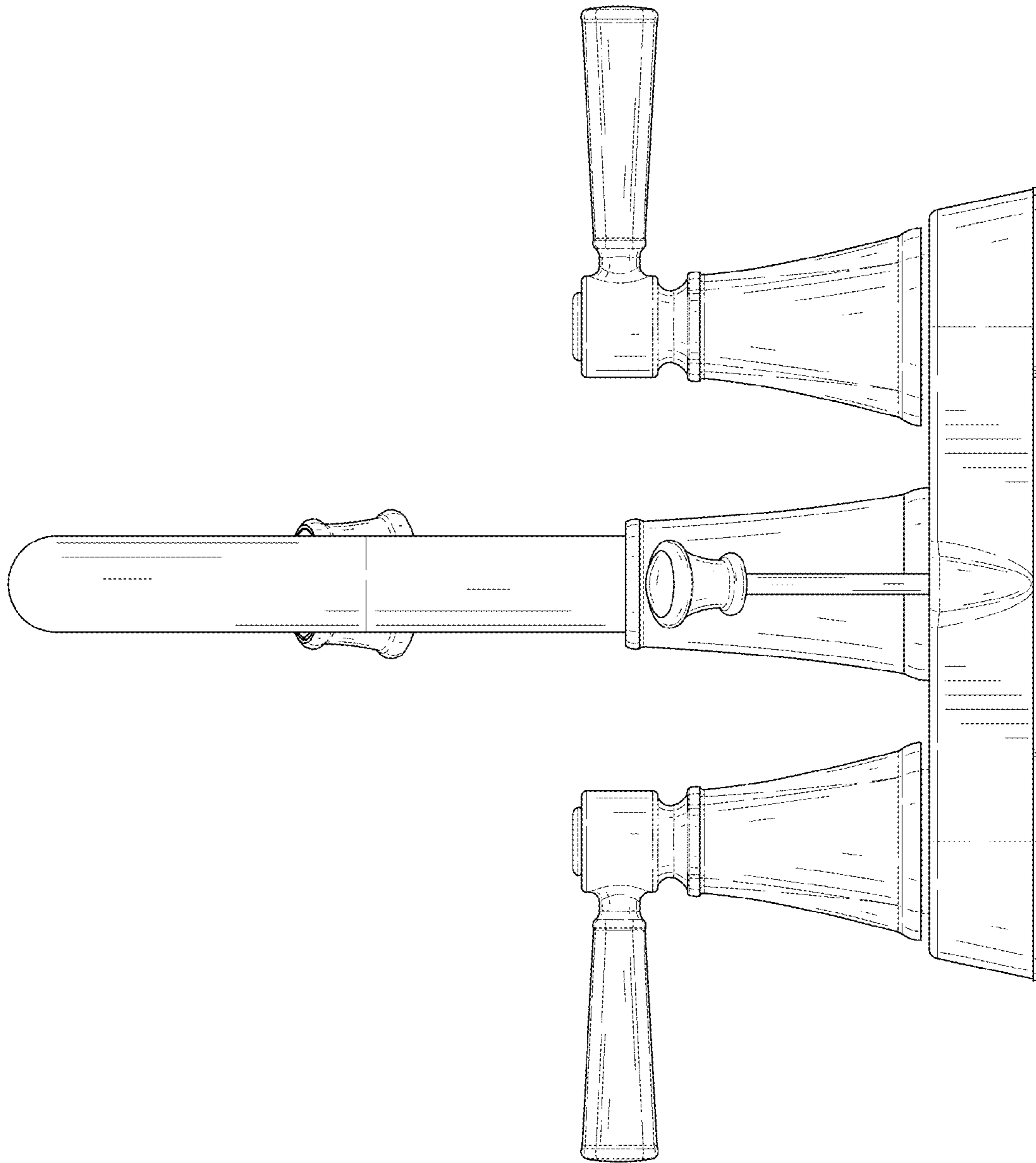


FIG. 12

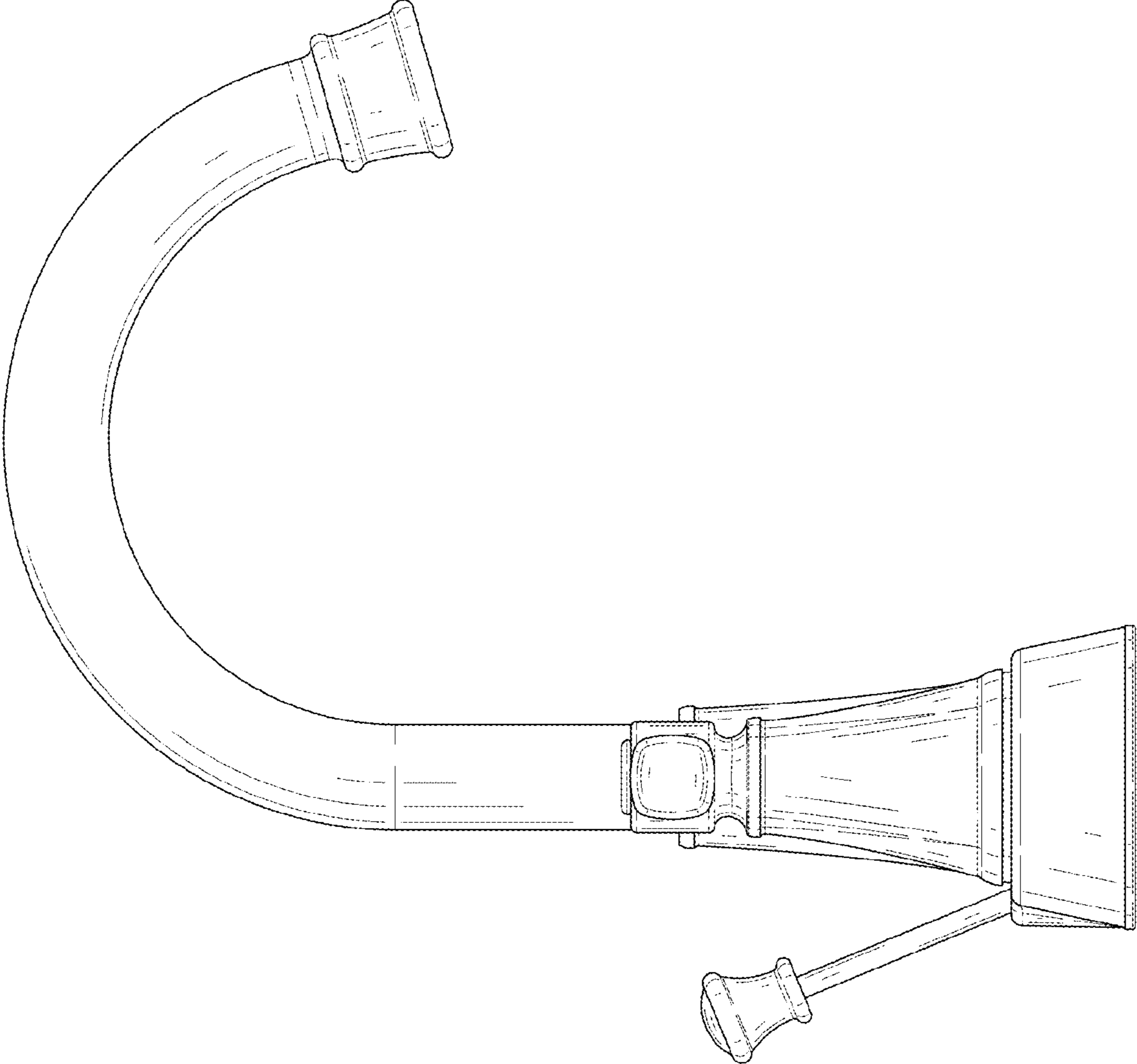


FIG. 13

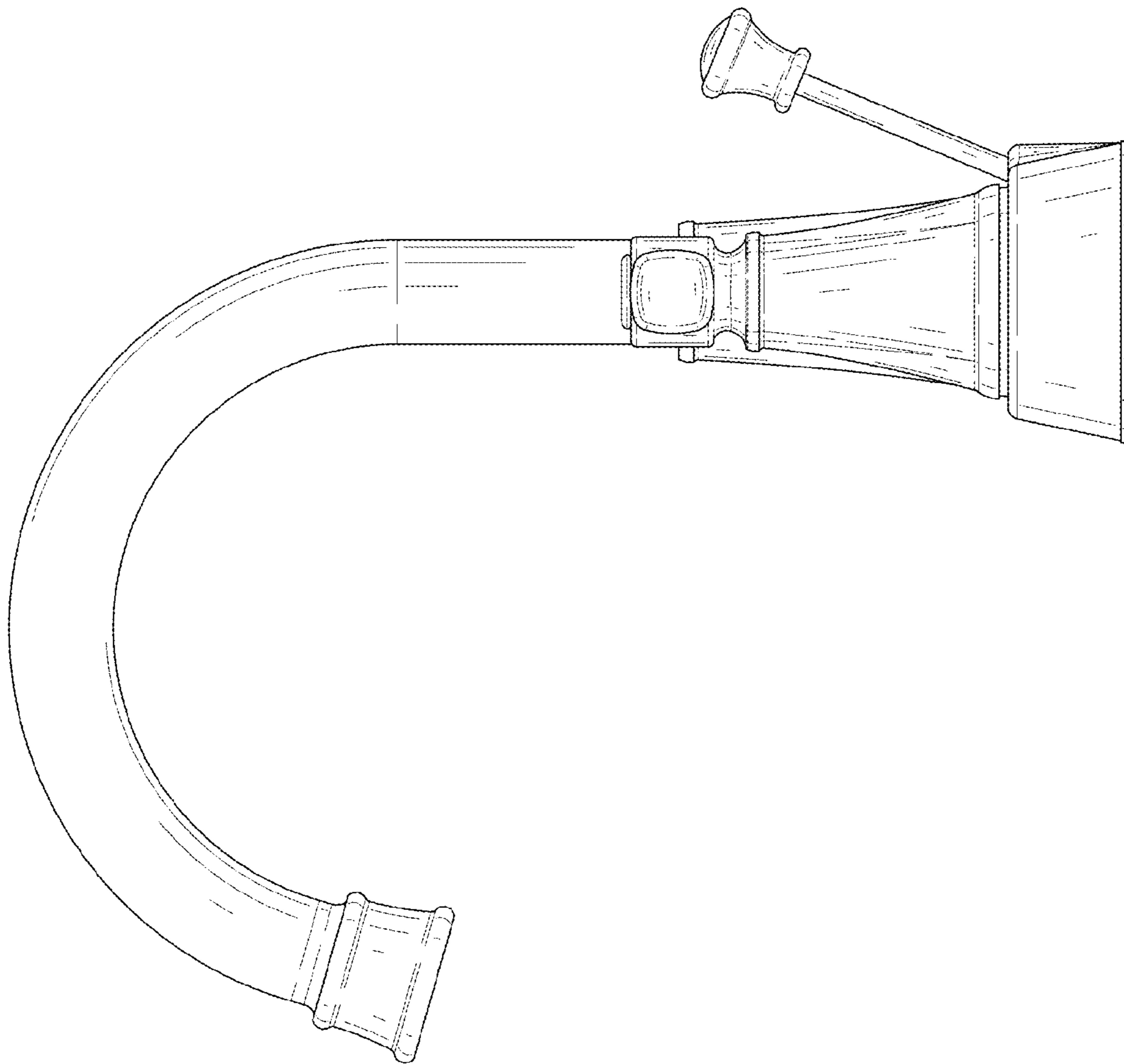


FIG. 14

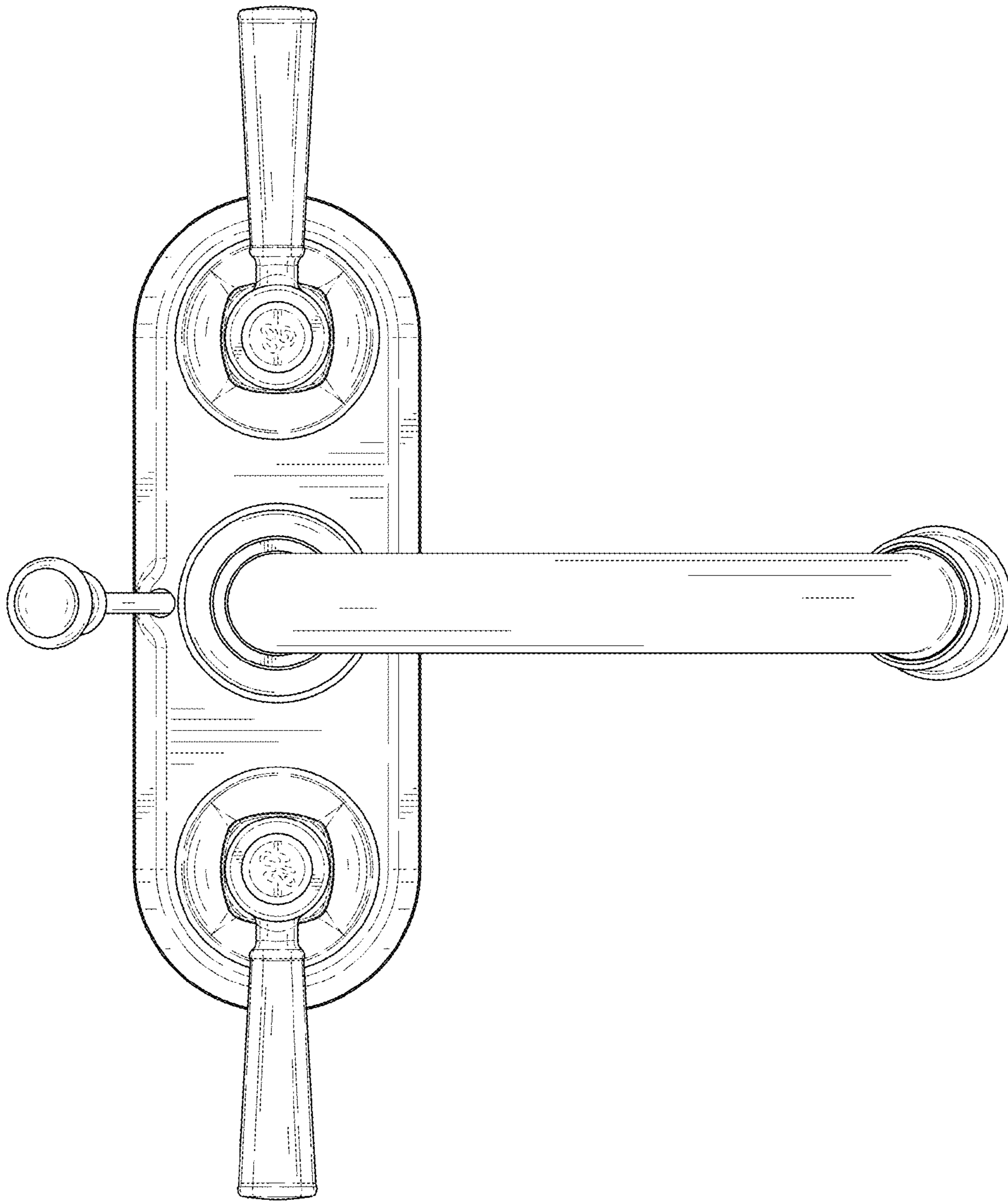


FIG. 15

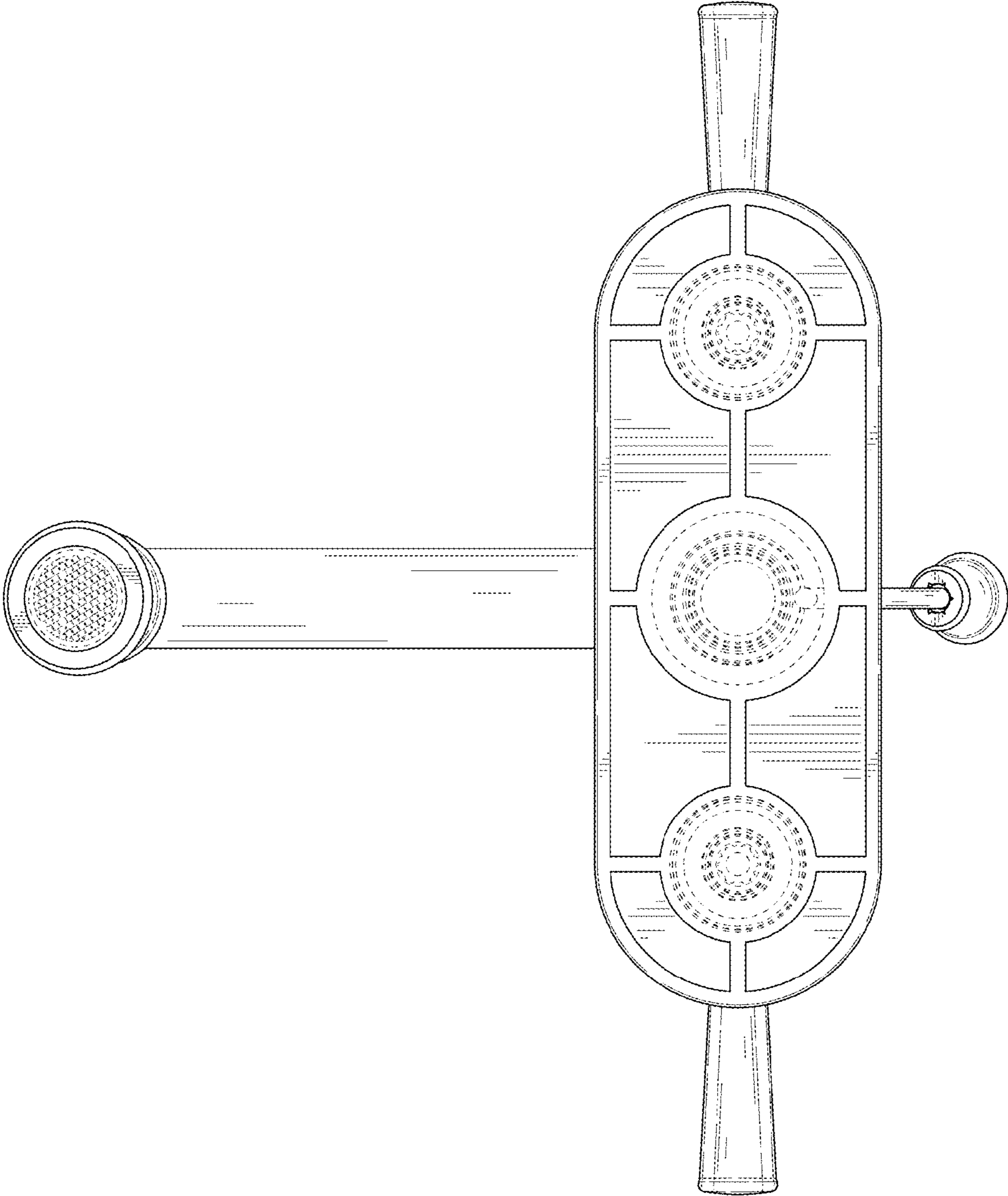


FIG. 16