



US00D965112S

(12) **United States Design Patent**  
**Situ**

(10) **Patent No.:** **US D965,112 S**

(45) **Date of Patent:** **\*\* Sep. 27, 2022**

(54) **FAUCET**

(71) Applicant: **Xuezhen Situ**, Guangdong (CN)

(72) Inventor: **Xuezhen Situ**, Guangdong (CN)

(\*\*) Term: **15 Years**

(21) Appl. No.: **29/839,087**

(22) Filed: **May 18, 2022**

(51) **LOC (13) Cl.** ..... **23-01**

(52) **U.S. Cl.**  
USPC ..... **D23/242**

(58) **Field of Classification Search**  
USPC ..... D23/238–243, 249–250, 252, 254–255,  
D23/257; D8/307–308  
See application file for complete search history.

(56) **References Cited**

**U.S. PATENT DOCUMENTS**

D651,286 S *	12/2011	Kwok	.....	D23/252
D651,287 S *	12/2011	Kwok	.....	D23/252
D655,789 S *	3/2012	Kwok	.....	D23/242
D655,790 S *	3/2012	Kwok	.....	D23/252
D665,480 S *	8/2012	Kwok	.....	D23/252
D667,089 S *	9/2012	Kwok	.....	D23/242
D754,297 S *	4/2016	Garland	.....	D23/242
D791,280 S *	7/2017	Fritz	.....	D23/242
D793,534 S	8/2017	Fritz		
D822,171 S	7/2018	Bennett		
D848,575 S	5/2019	Garland		
D879,252 S	3/2020	Yu		
D890,306 S *	7/2020	Potter	.....	D23/242

D891,585 S	7/2020	Spangler		
D896,349 S	9/2020	Kuang		
D934,997 S *	11/2021	He	.....	D23/242
D938,553 S *	12/2021	He	.....	D23/242
D944,932 S *	3/2022	Huang	.....	D23/252

**FOREIGN PATENT DOCUMENTS**

CN	305298023 S	8/2019
CN	305803381 S	5/2020
CN	305990461 S	8/2020
CN	305990468 S	8/2020

\* cited by examiner

*Primary Examiner* — Robert A Delehanty

(74) *Attorney, Agent, or Firm* — ScienBiziP, P.C.

(57) **CLAIM**

The ornamental design for a faucet, as shown and described.

**DESCRIPTION**

FIG. 1 is a right, front, and top perspective view of a faucet, showing my design.

FIG. 2 is a left, rear, and bottom perspective view thereof.

FIG. 3 is a front elevation view thereof.

FIG. 4 is a rear elevation view thereof.

FIG. 5 is a left side elevation view thereof.

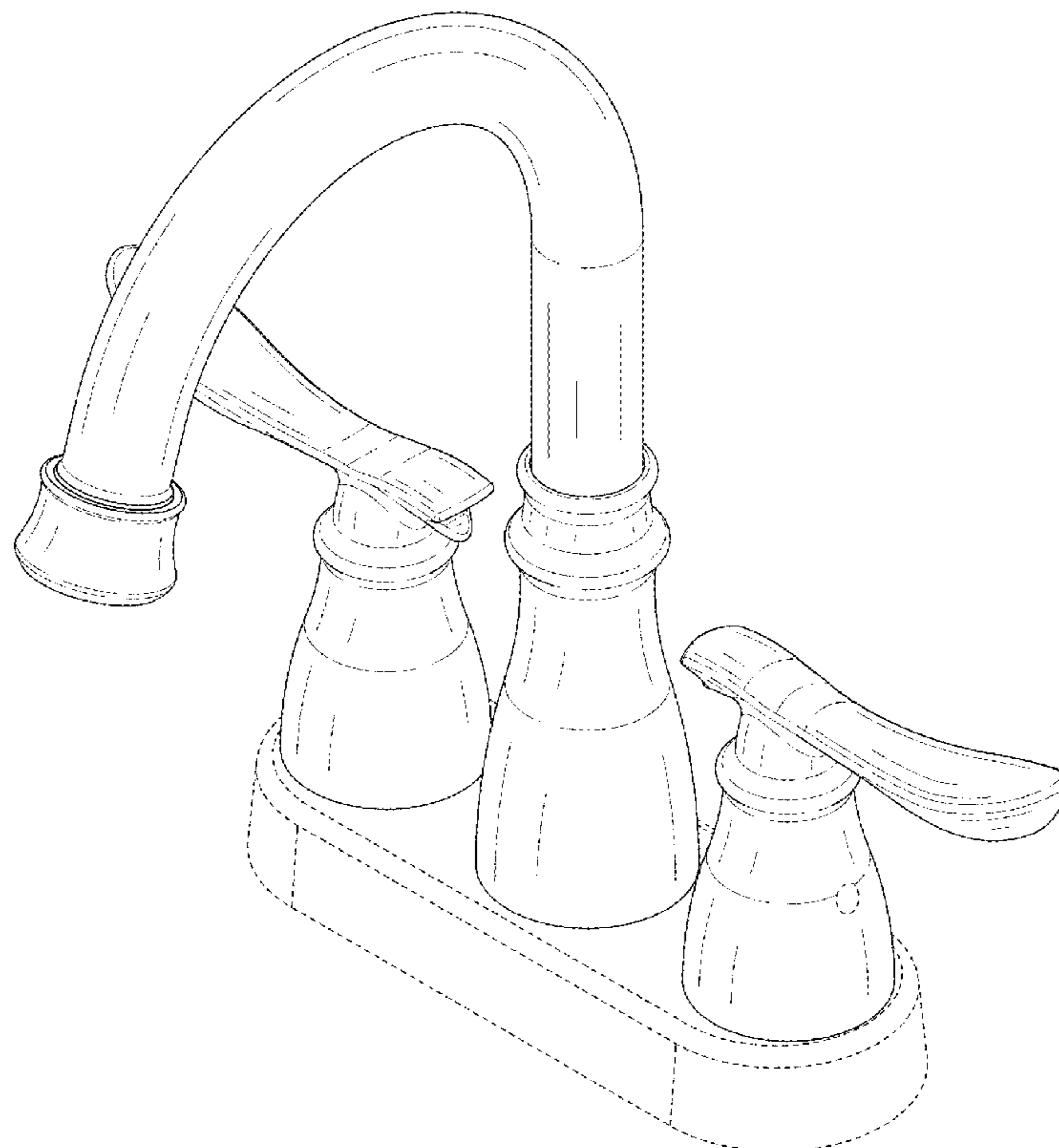
FIG. 6 is a right side elevation view thereof.

FIG. 7 is a top plan view thereof; and,

FIG. 8 is a bottom plan view thereof.

The broken lines in the drawings depict portions of the faucet that form no part of the claimed design.

**1 Claim, 8 Drawing Sheets**



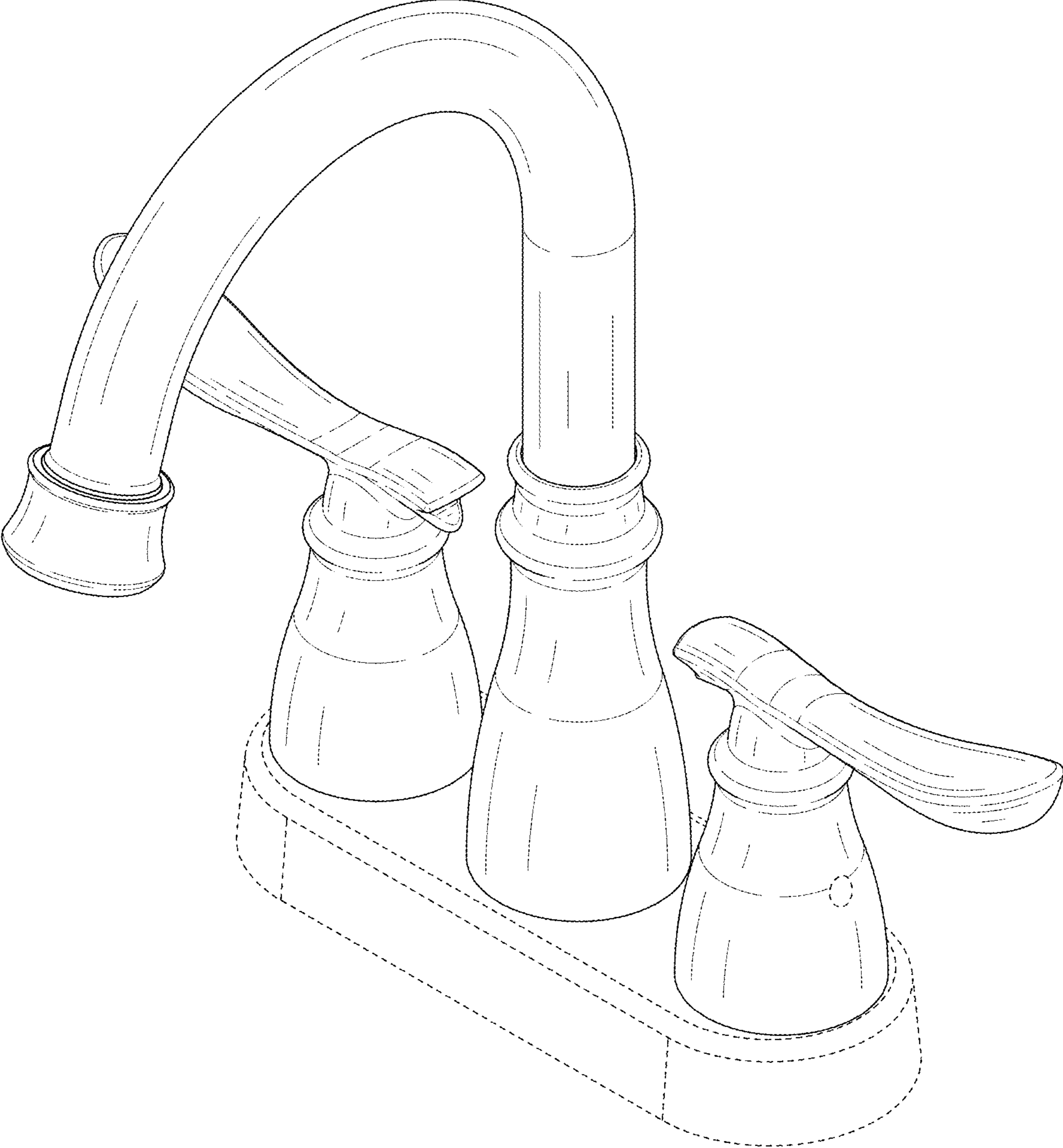


FIG. 1

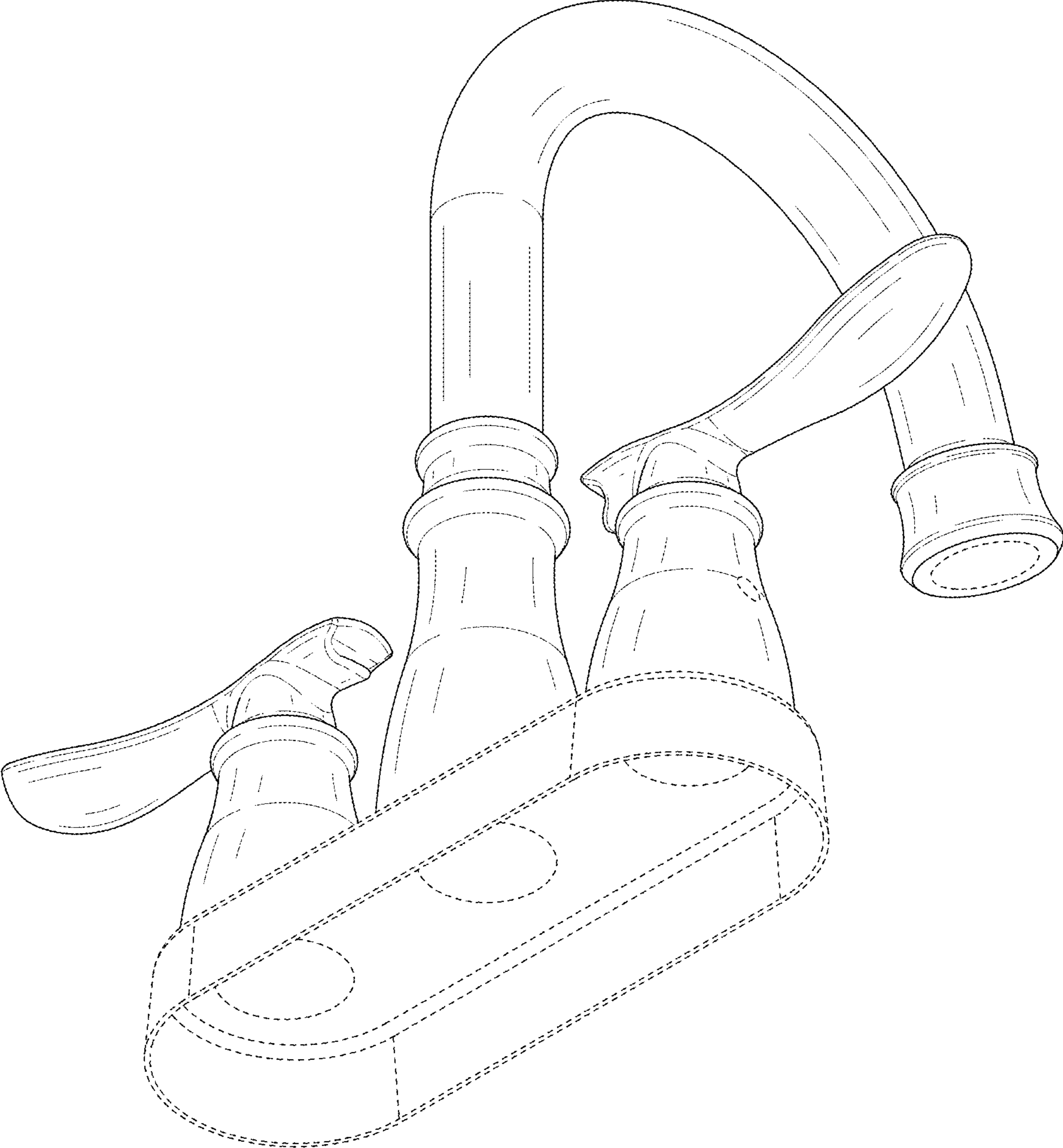


FIG. 2

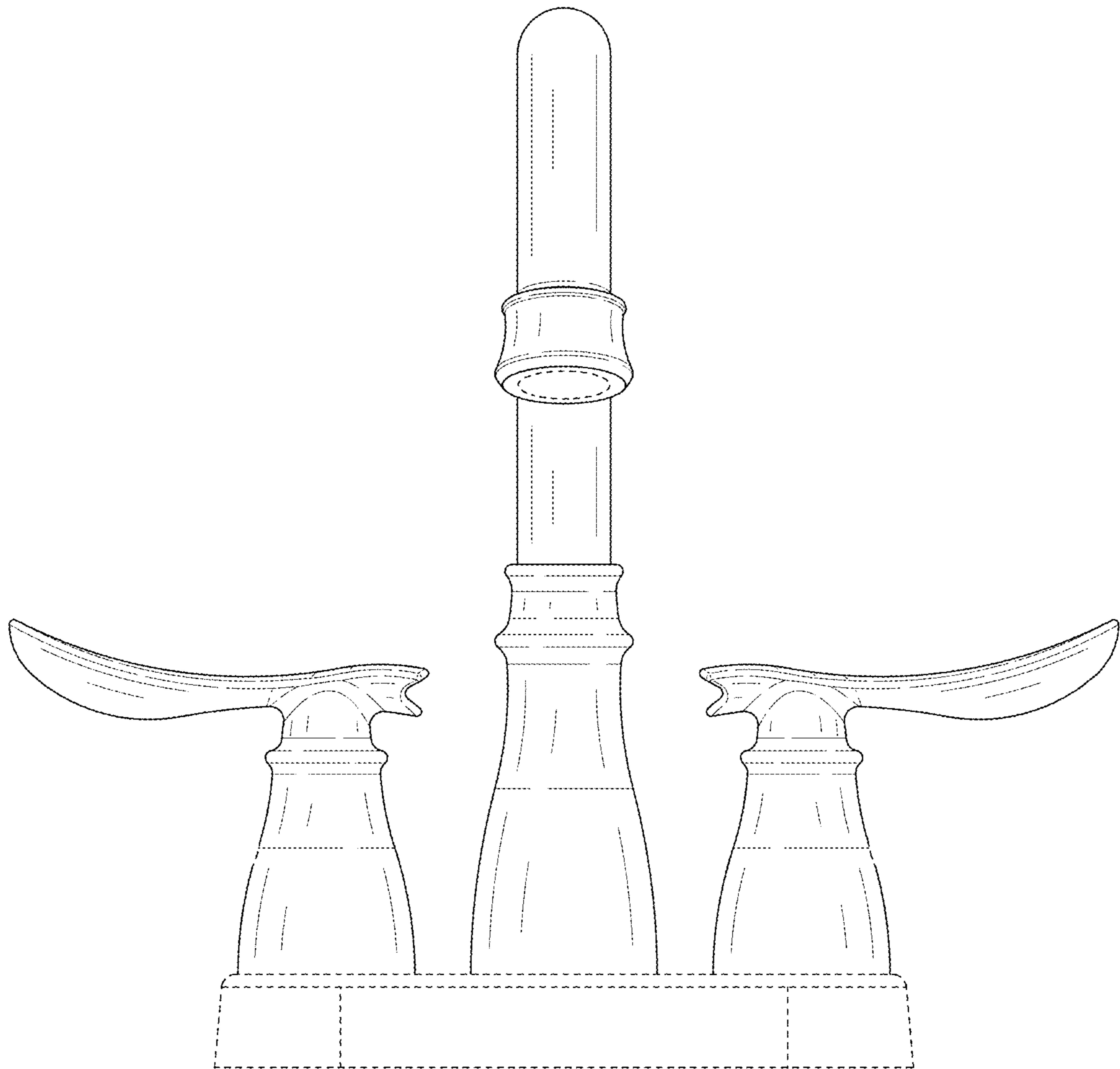


FIG. 3

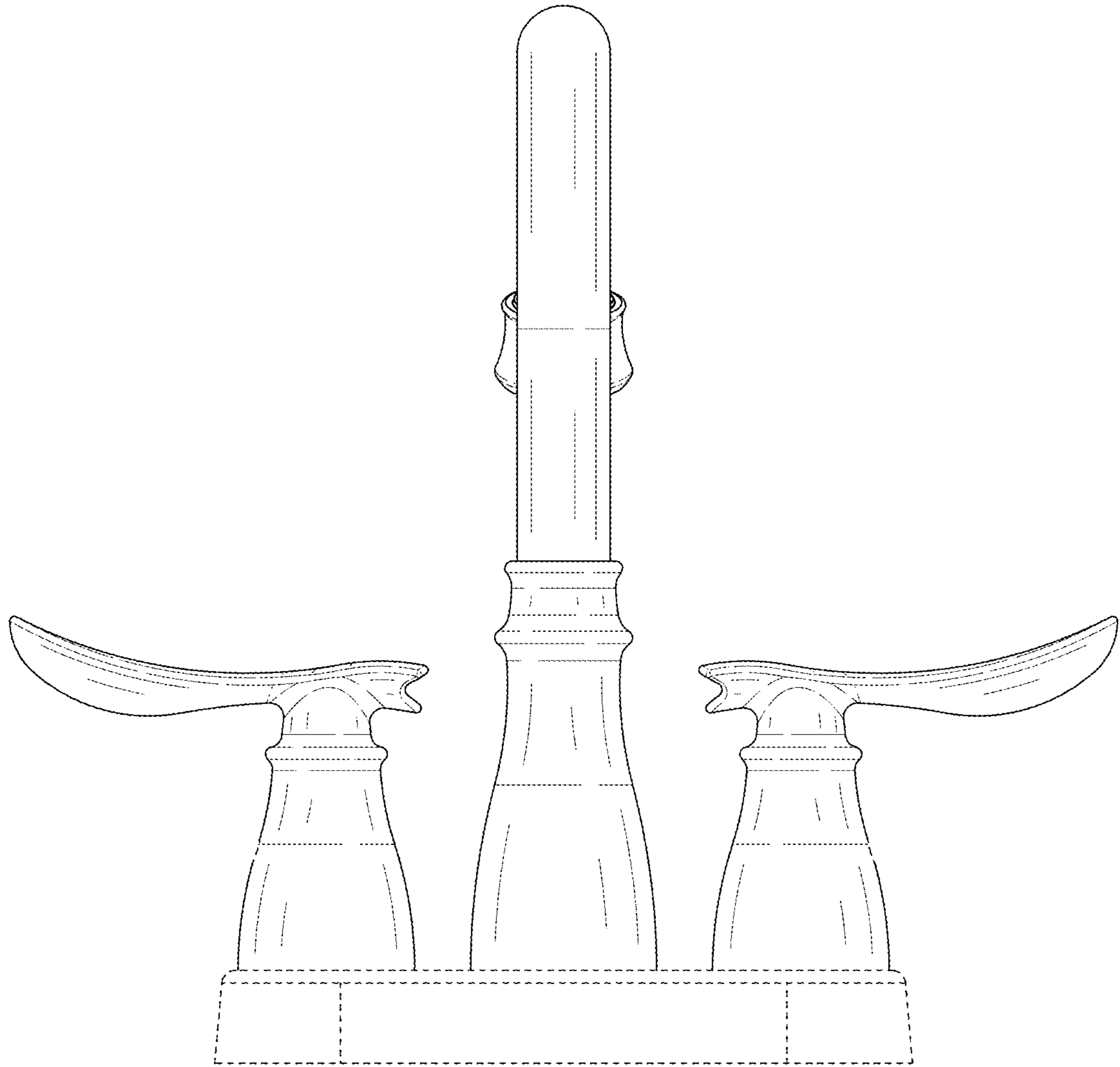


FIG. 4

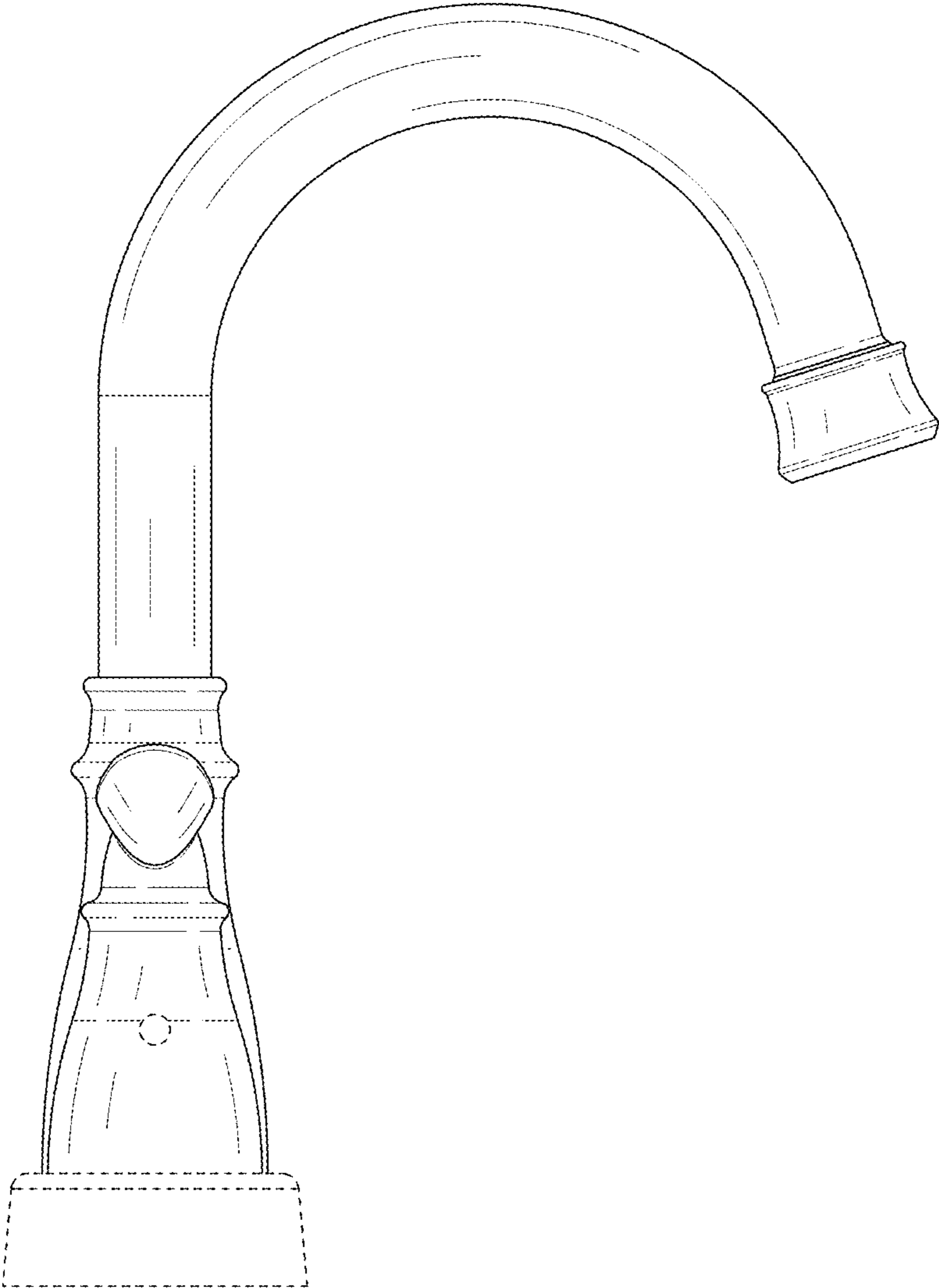


FIG. 5

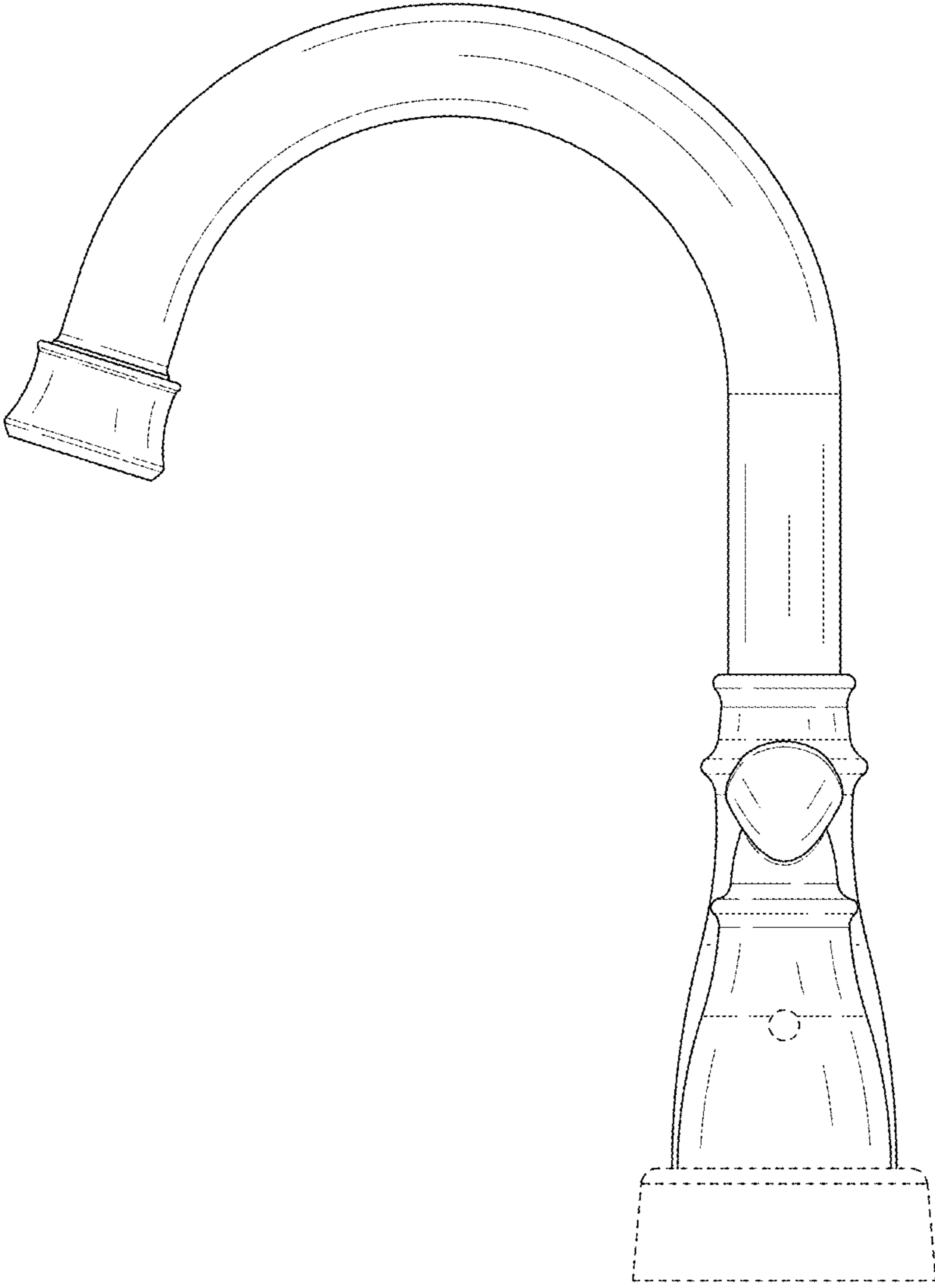


FIG. 6

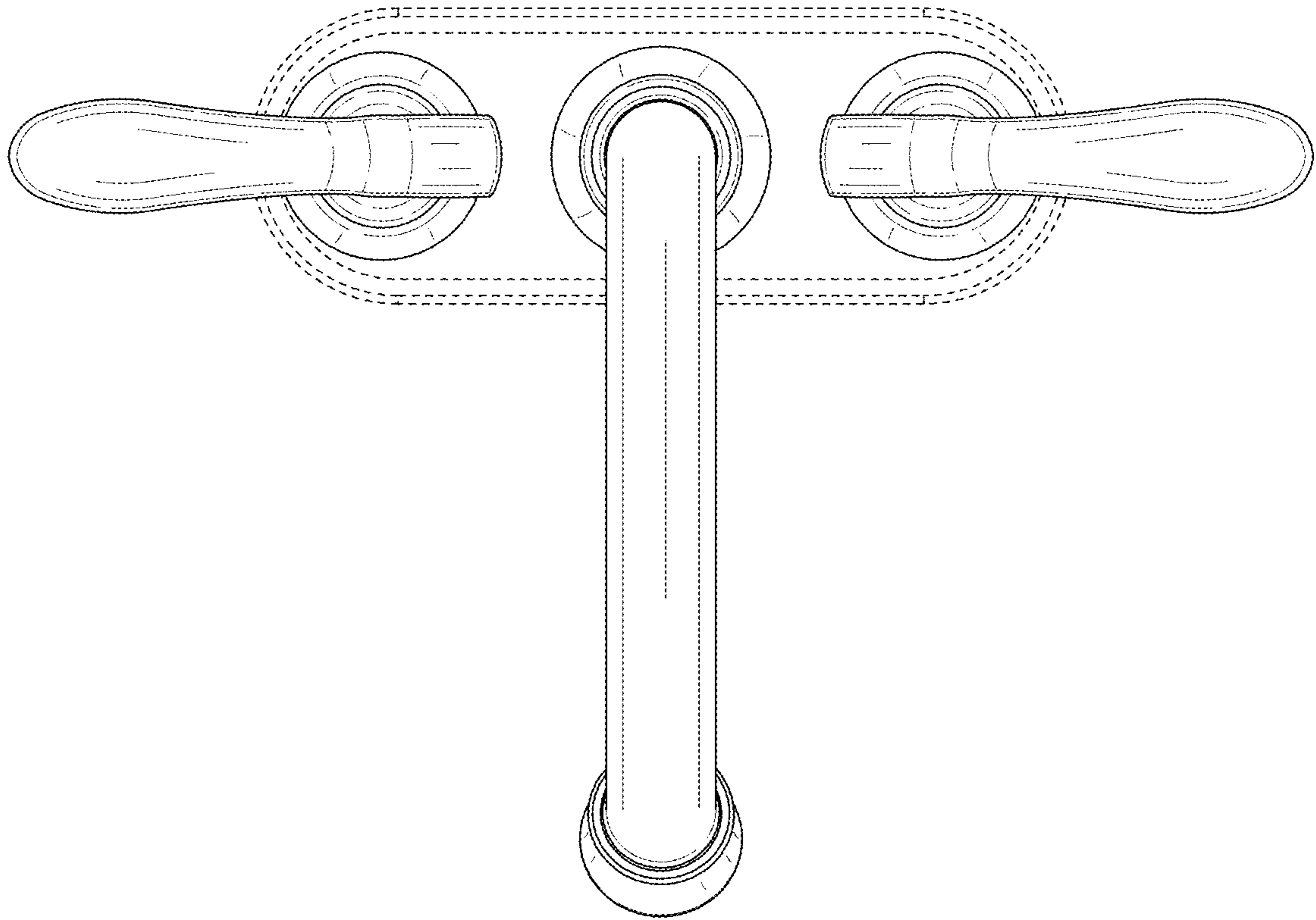


FIG. 7



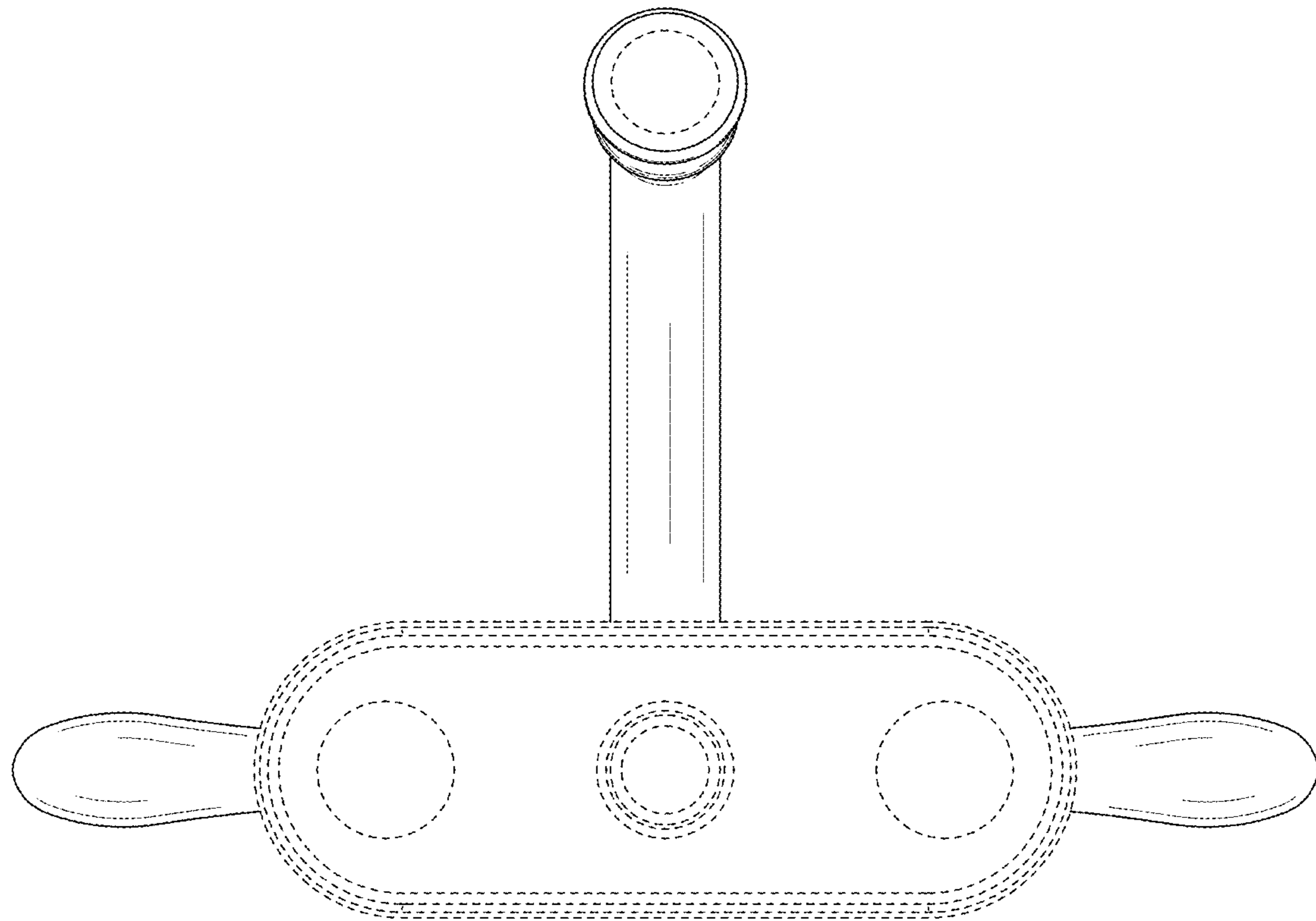


FIG. 8