



US00D965111S

(12) **United States Design Patent** (10) **Patent No.:** **US D965,111 S**
Kulig (45) **Date of Patent:** **** Sep. 27, 2022**

(54) **FAUCET**

(71) Applicant: **Graff Faucets**, Milwaukee, WI (US)

(72) Inventor: **Zbigniew Kulig**, Wadsworth, IL (US)

(73) Assignee: **Graff Faucets**, Milwaukee, WI (US)

(**) Term: **15 Years**

(21) Appl. No.: **29/762,217**

(22) Filed: **Dec. 15, 2020**

(51) **LOC (13) Cl.** **23-01**

(52) **U.S. Cl.**
USPC **D23/242**

(58) **Field of Classification Search**
USPC D23/238, 239, 240, 241, 242, 243, 246,
D23/247, 249, 250, 251, 252, 253, 254,
D23/255, 256, 257

CPC E03C 1/00; E03C 1/01; E03C 1/02; E03C
1/023; E03C 1/04; E03C 1/0401; E03C
1/0403; E03C 1/0404; E03C 1/0412;
E03C 1/05; E03C 1/042; F16K 31/60

See application file for complete search history.

(56) **References Cited**

U.S. PATENT DOCUMENTS

D271,514 S	*	11/1983	Paul	D23/242
D495,780 S	*	9/2004	Aubry	D23/254
D517,655 S	*	3/2006	Ogata	D23/241
D522,092 S	*	5/2006	Hoernig	D23/255
D530,782 S	*	10/2006	Starck	D23/255
D540,917 S	*	4/2007	Kikuchi	D23/242
D557,381 S	*	12/2007	Garner	D23/242
D578,617 S	*	10/2008	Urquiola	D23/255
D601,227 S	*	9/2009	Sieger	D23/242
D603,481 S	*	11/2009	Zetsche	D23/242
D659,798 S	*	5/2012	Flowers	D23/238
D665,880 S	*	8/2012	Flowers	D23/252
D701,592 S	*	3/2014	Zhenqiang	D23/238
D767,727 S	*	9/2016	Eads	D23/242

D767,732 S	*	9/2016	Rexach	D23/255
D767,734 S	*	9/2016	Rexach	D23/255
D799,644 S	*	10/2017	Sieger	D23/242
D803,357 S	*	11/2017	Lucchese	D23/238
D805,607 S	*	12/2017	Streng	D23/240
D809,629 S	*	2/2018	Streng	D23/240
D810,877 S	*	2/2018	Schoenherr	D23/239
D828,506 S	*	9/2018	Schoenherr	D23/238
D828,507 S	*	9/2018	Schoenherr	D23/238
D828,909 S	*	9/2018	Liu	D23/254
D856,489 S	*	8/2019	Seum	D23/242
D856,490 S	*	8/2019	Seum	D23/242

(Continued)

FOREIGN PATENT DOCUMENTS

GB 4038961 * 1/2015

OTHER PUBLICATIONS

Amazon, Moen Rizon Two-Handle Widespread Bathroom, posted May 28, 2014, [online], [visited Apr. 7, 2022]. Internet, <URL: <https://www.amazon.co.uk/Moen-Two-Handle-Widespread-Bathroom-without/dp/B00EW07LPG/ref>> (Year: 2014).*

(Continued)

Primary Examiner — Samantha Wood

(74) *Attorney, Agent, or Firm* — Defillo & associates, Inc.; Evelyn A. Defillo

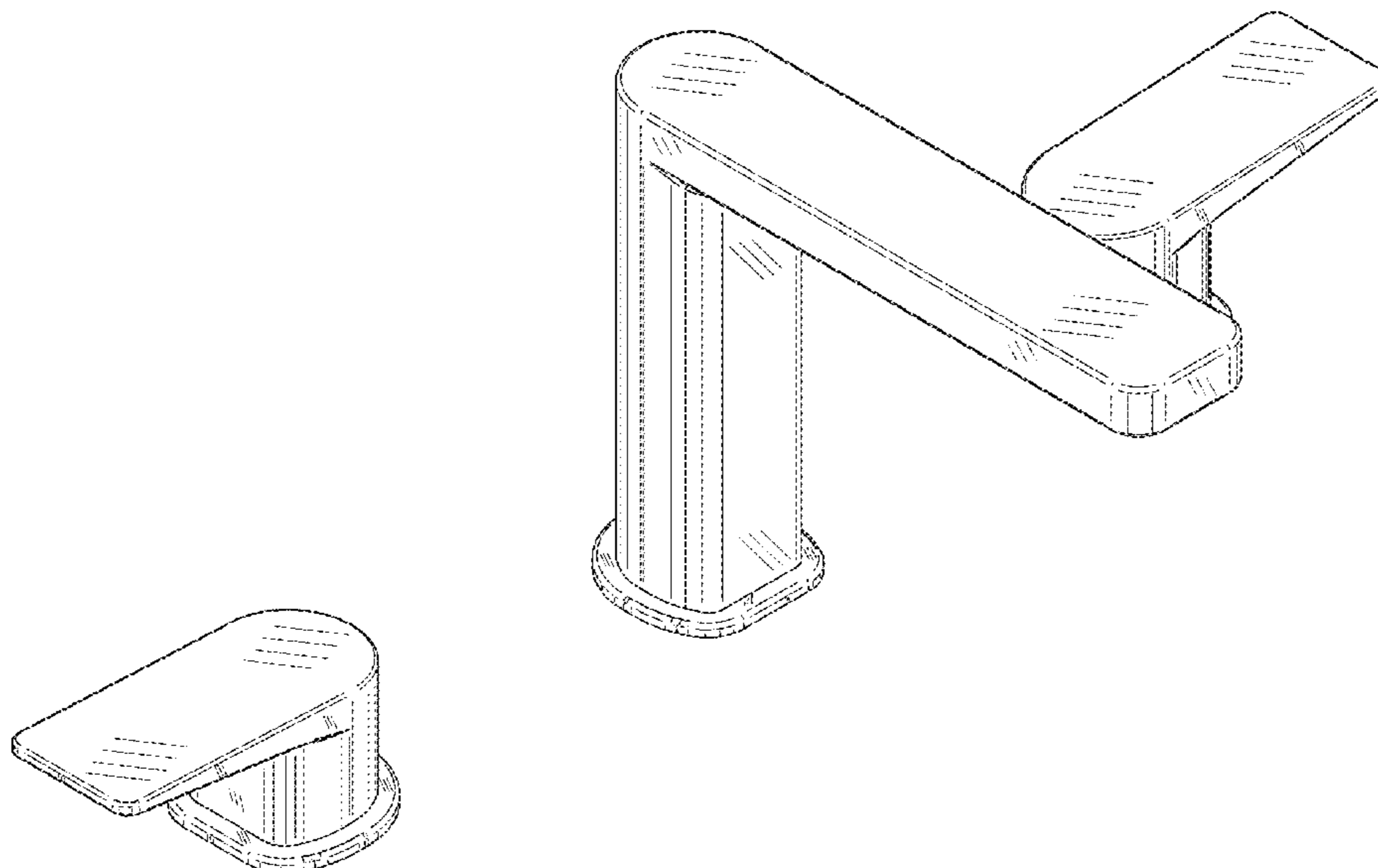
(57) **CLAIM**

The ornamental design for a faucet, as shown and described.

DESCRIPTION

FIG. 1 is a perspective front view of a faucet according to the present invention;
FIG. 2 is a front view of the faucet of FIG. 1;
FIG. 3 is a side view of the faucet of FIG. 1;
FIG. 4 is a back view of the faucet of FIG. 1; and,
FIG. 5 is a top view of the faucet of FIG. 1.

1 Claim, 5 Drawing Sheets



(56)

References Cited

U.S. PATENT DOCUMENTS

D861,136 S	*	9/2019	Diefenbach	D23/242
D870,854 S	*	12/2019	Yu	D23/242
D878,524 S	*	3/2020	Gessi	D23/255
D883,441 S	*	5/2020	Carr	D23/242
D898,872 S	*	10/2020	Massaud	D23/242
D901,642 S	*	11/2020	Seum	D23/254
D902,356 S	*	11/2020	Liu	D23/254
D924,369 S	*	7/2021	Zeng	D23/242
D941,961 S	*	1/2022	Abel	D23/242

OTHER PUBLICATIONS

Amazon, Newater Modern Widespread Two-Handle Bathroom Faucet, posted Jun. 8, 2020, [online], [visited Apr. 7, 2022]. Internet, <URL: <https://www.amazon.co.uk/NEWATER-Widespread-Two-Handle-Bathroom-Assembly/dp/B089SG8L7C/ref>> (Year: 2020).*

Amazon, Symmons SLW-3612-1.5 Duro Widespread Faucet with Drain, posted Sep. 2, 2014, [online], [visited Apr. 7, 2022]. Internet, <URL: <https://www.amazon.co.uk/Symmons-SLW-3612-1-5-Widespread-Faucet-Chrome/dp/B00KRHW6NU/ref>> (Year: 2014).*

Amazon, Chen Kitchen Tap Chrome Basin Faucets Widespread, posted Sep. 19, 2020, [online], [visited Apr. 7, 2022]. Internet, <URL: <https://www.amazon.co.uk/CHEN-Kitchen-tap-Faucets-Widespread-Bathroom/dp/B08D7MYNKT/ref>> (Year: 2020).*

Amazon, ZYDSN Bathroom Sink Faucet, posted Mar. 13, 2022, [online], [visited Apr. 7, 2022]. Internet, <URL: <https://www.amazon.co.uk/ZYDSN-Bathroom-Handles-Widespread-Mounted/dp/B09DCLJDG4/ref>> (Year: 2022).*

Amazon, Peerless P3519LF Xander Two Handle Widespread Bathroom Faucet, posted Feb. 13, 2018, [online], [visited Apr. 7, 2022]. Internet, <URL: <https://www.amazon.co.uk/Peerless-2-Handle-Widespread-Faucet-P3519LF/dp/B079T75TLC/ref?th=1>> (Year: 2018).*

* cited by examiner

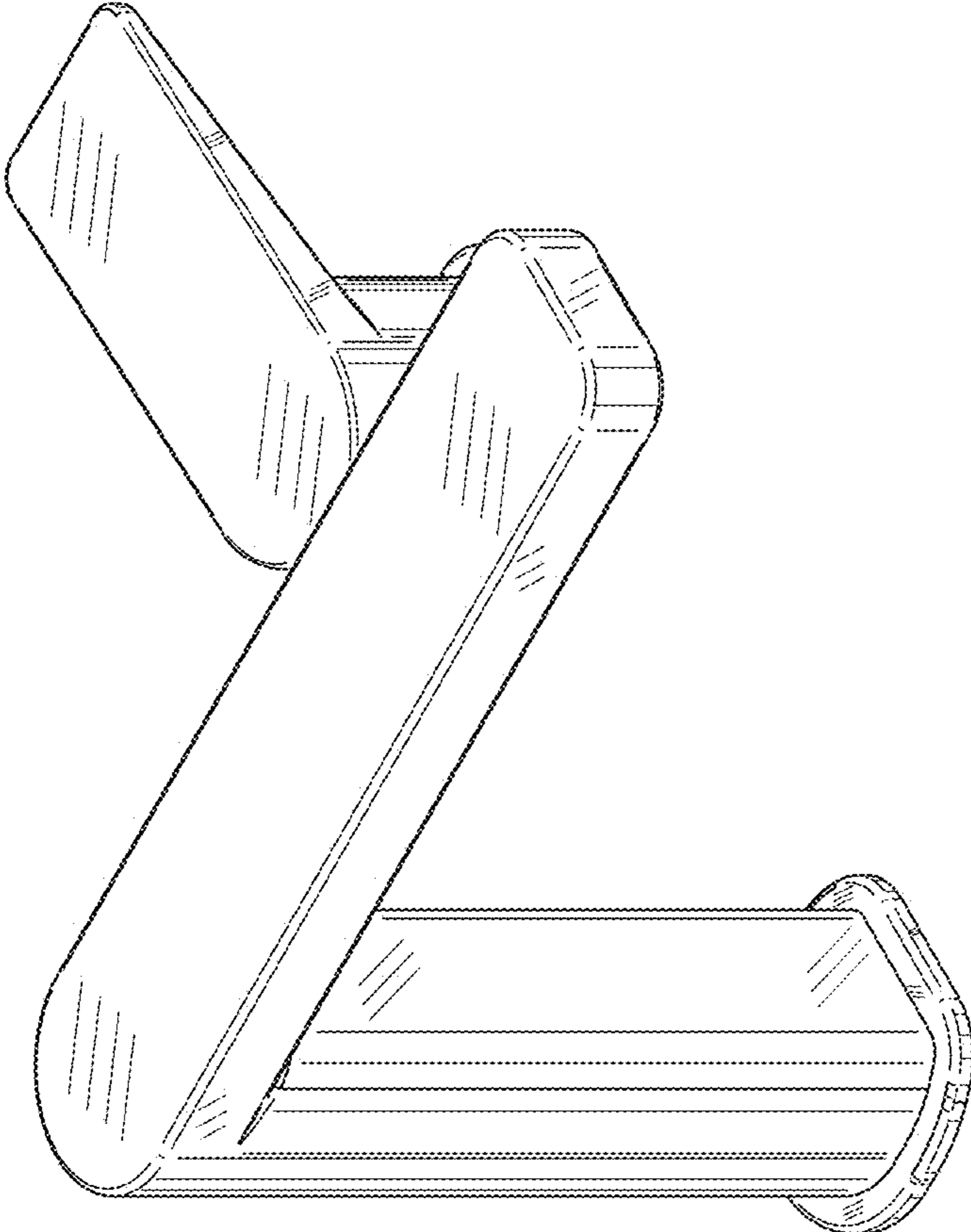
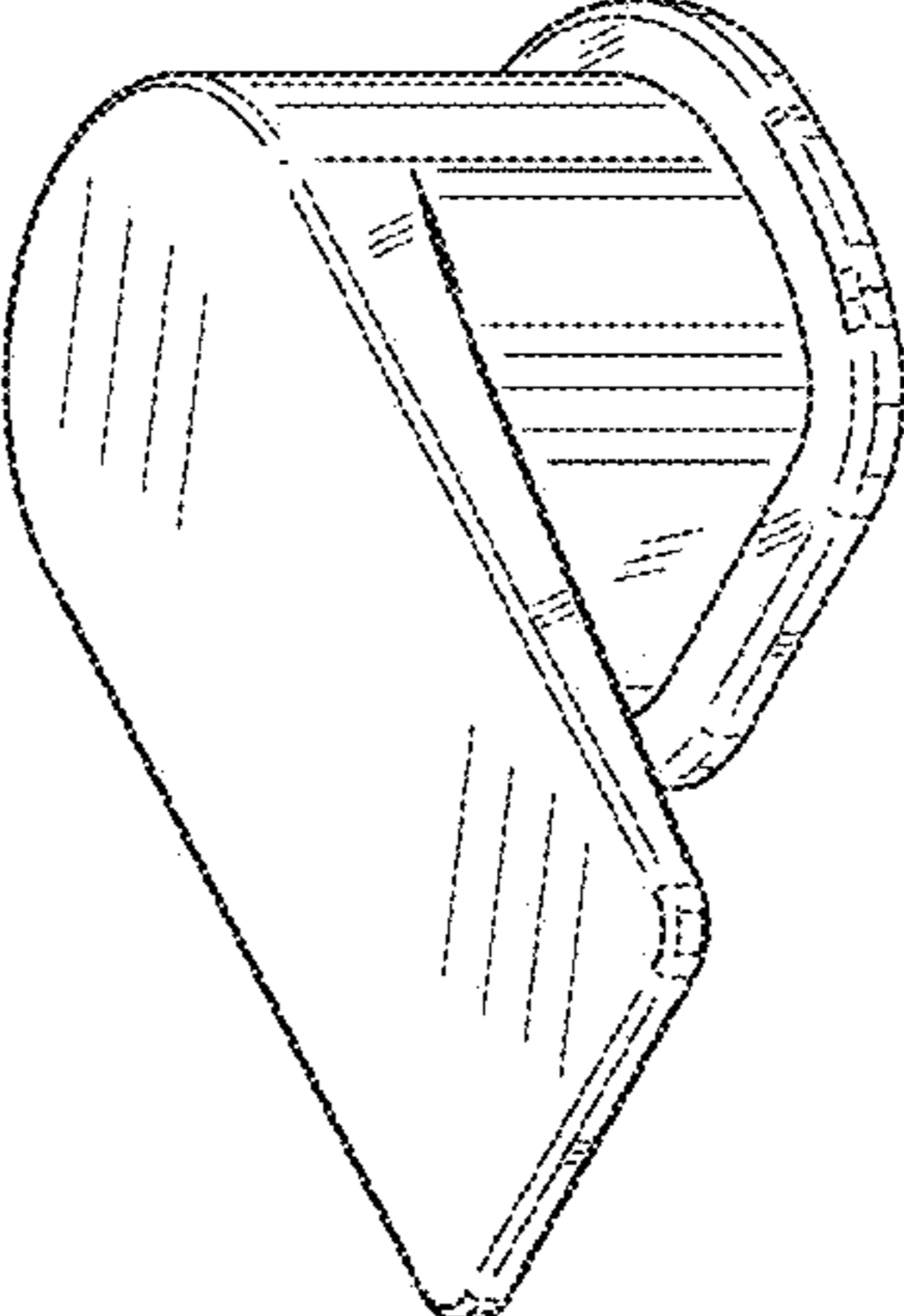


FIG. 1



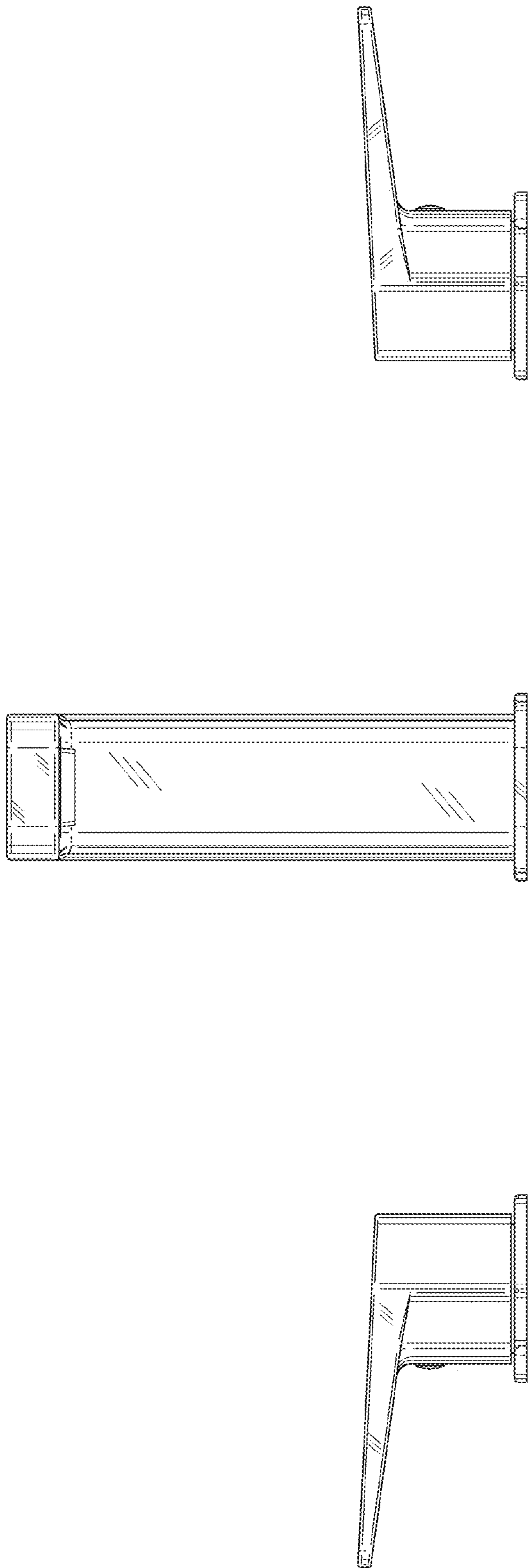


FIG. 2

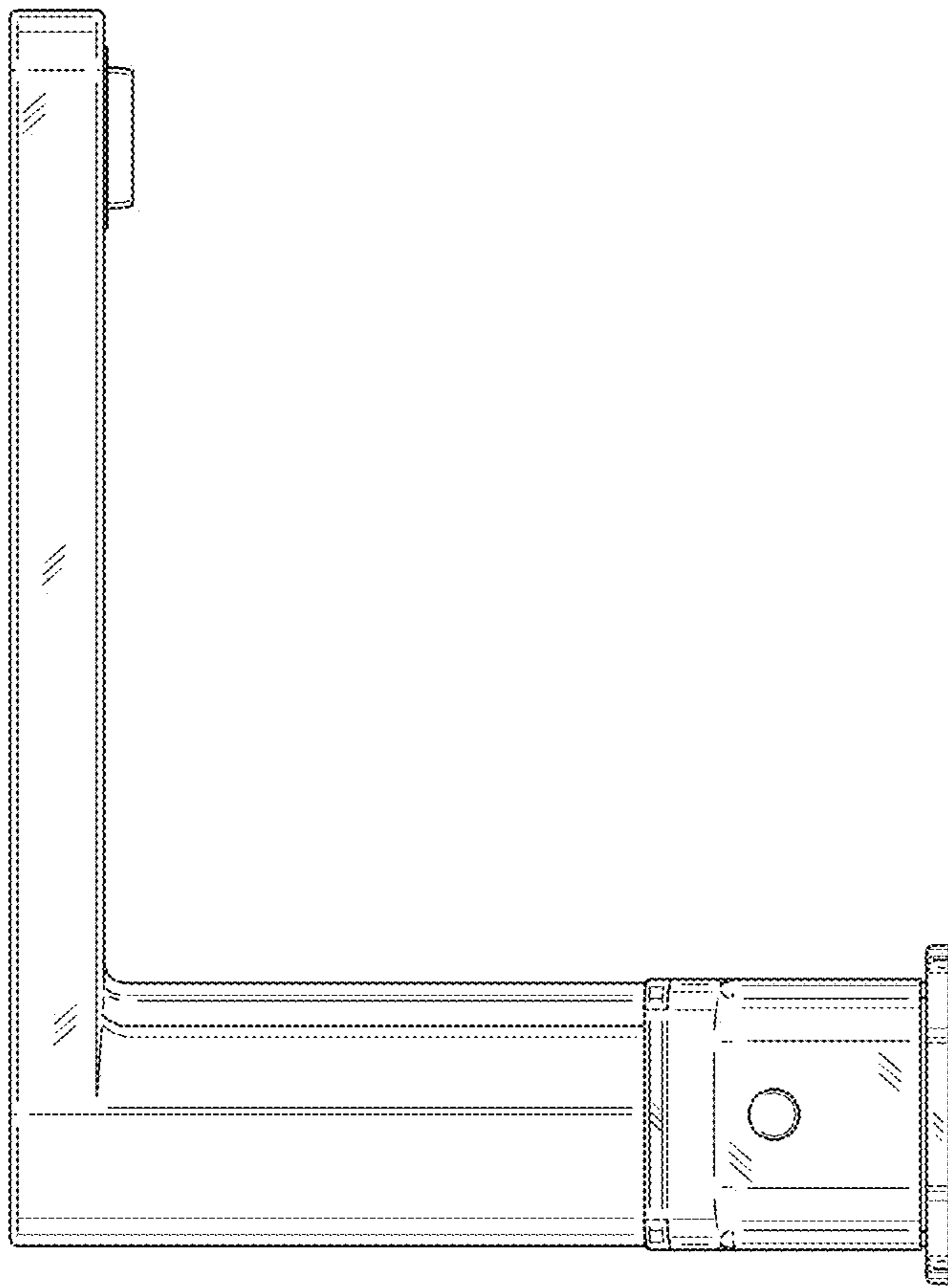


FIG. 3

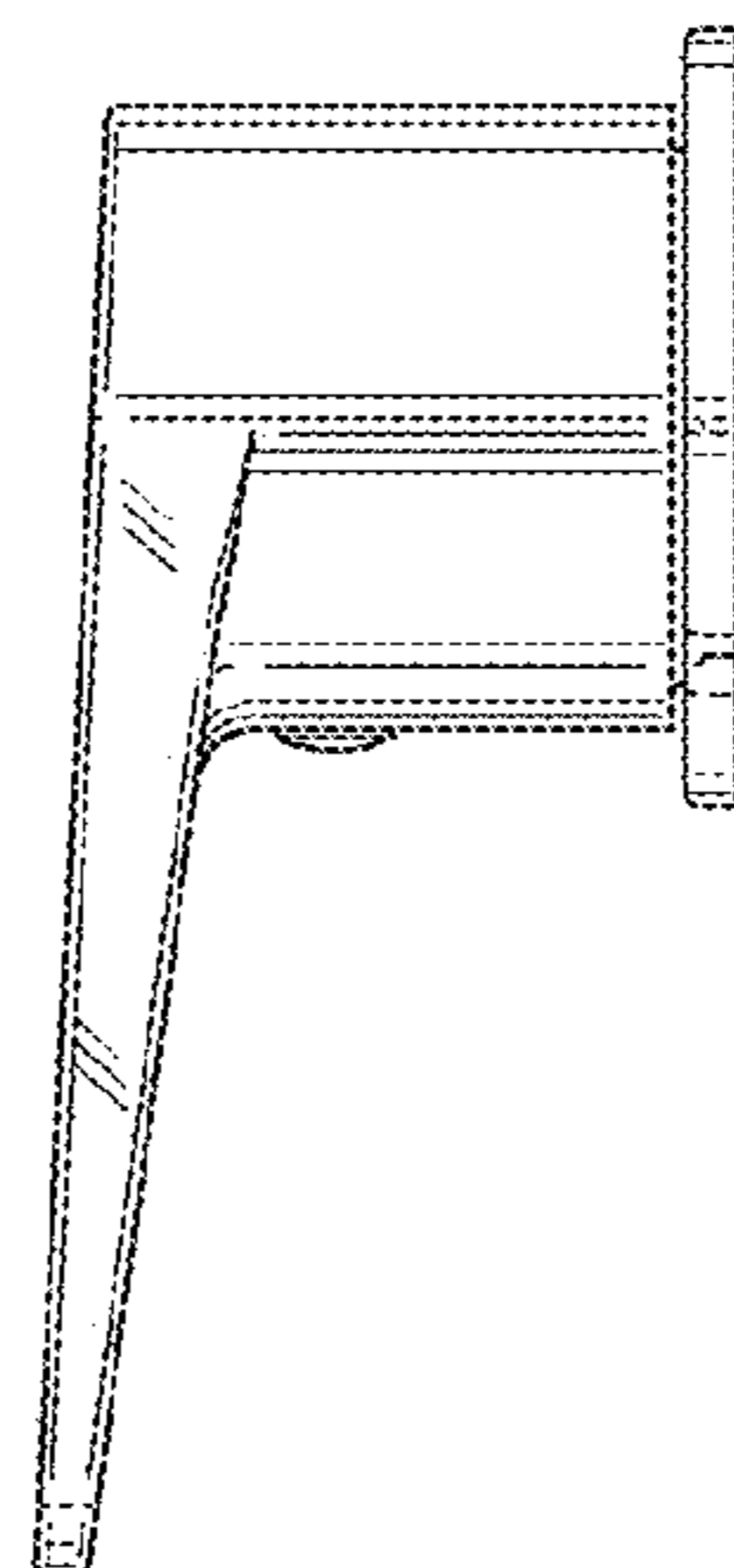
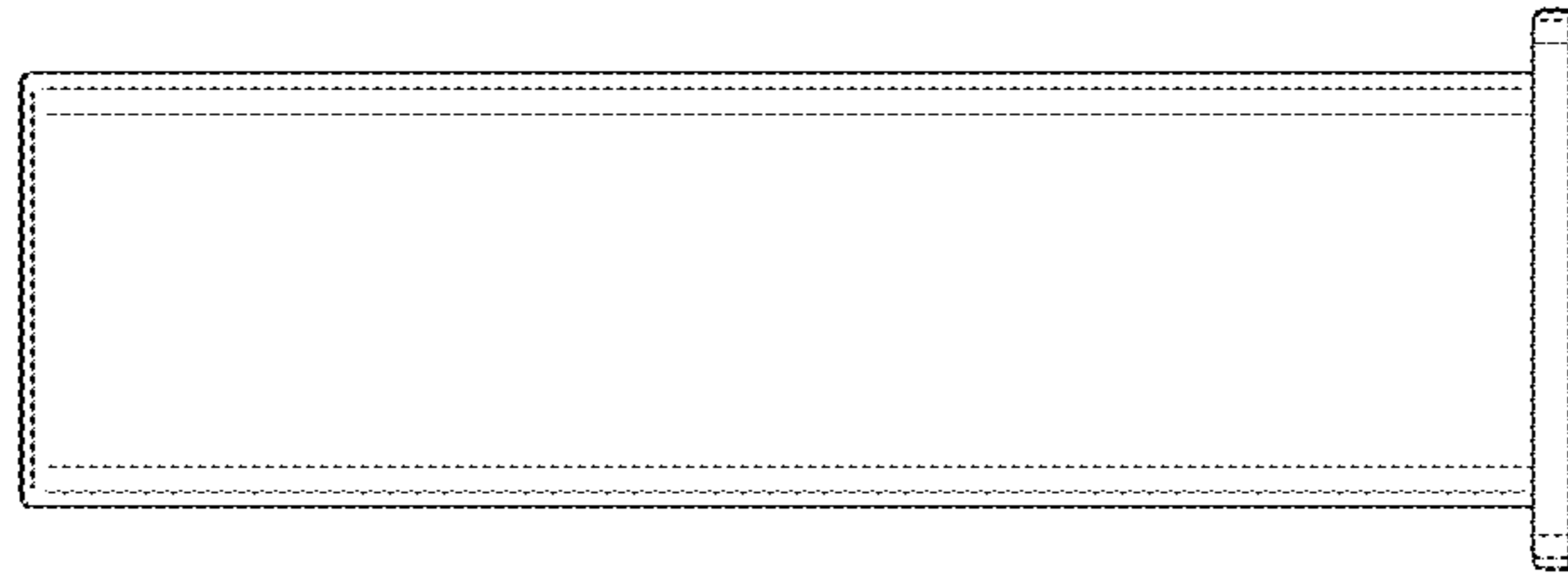
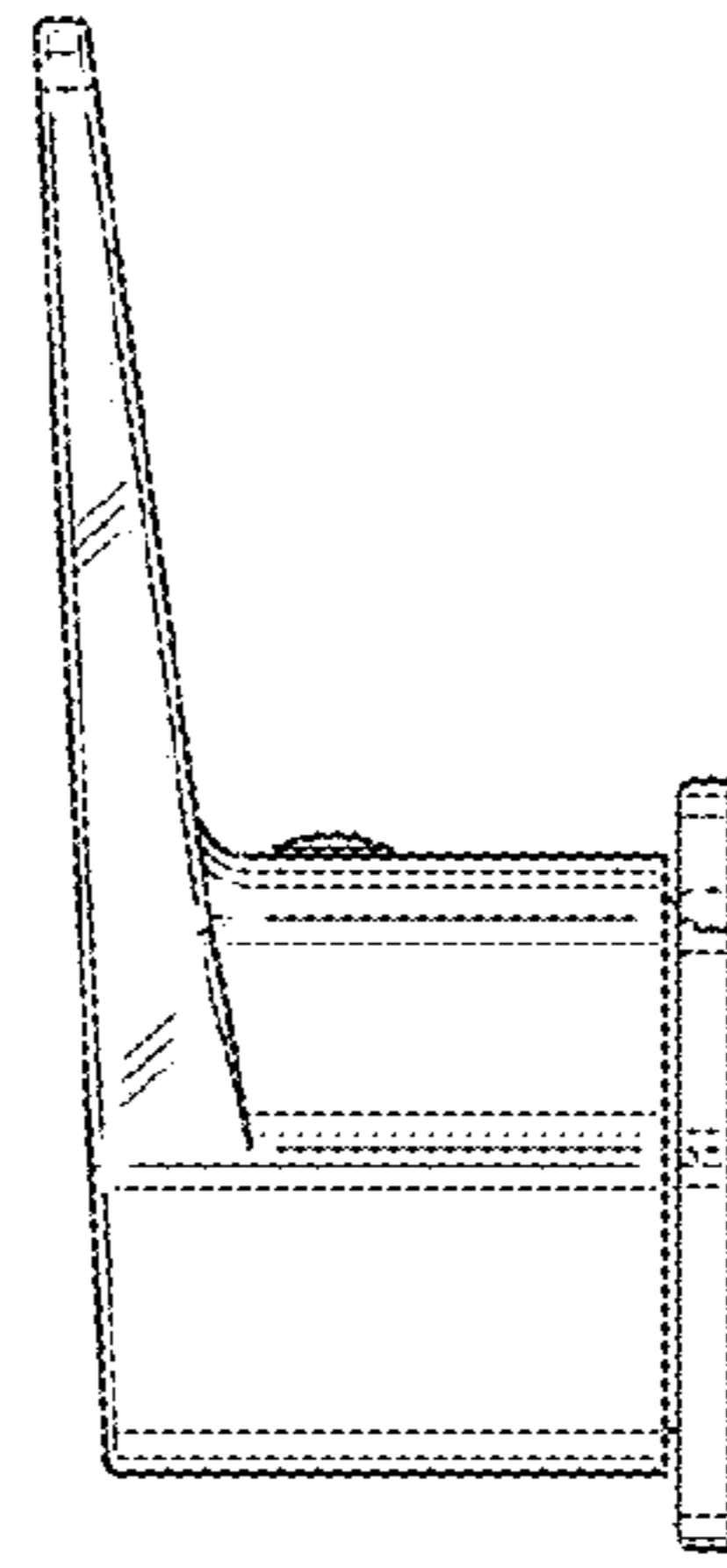


FIG. 4

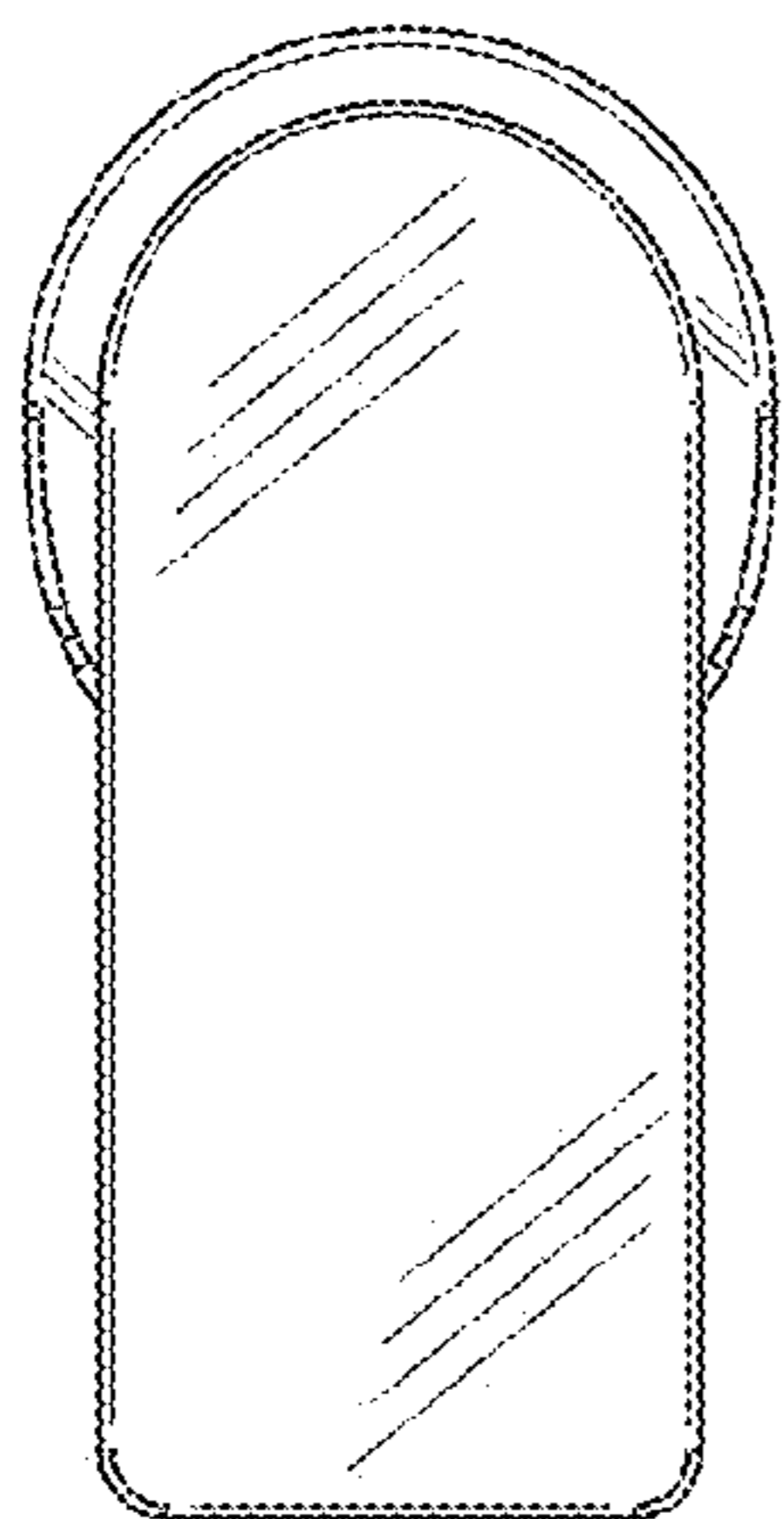
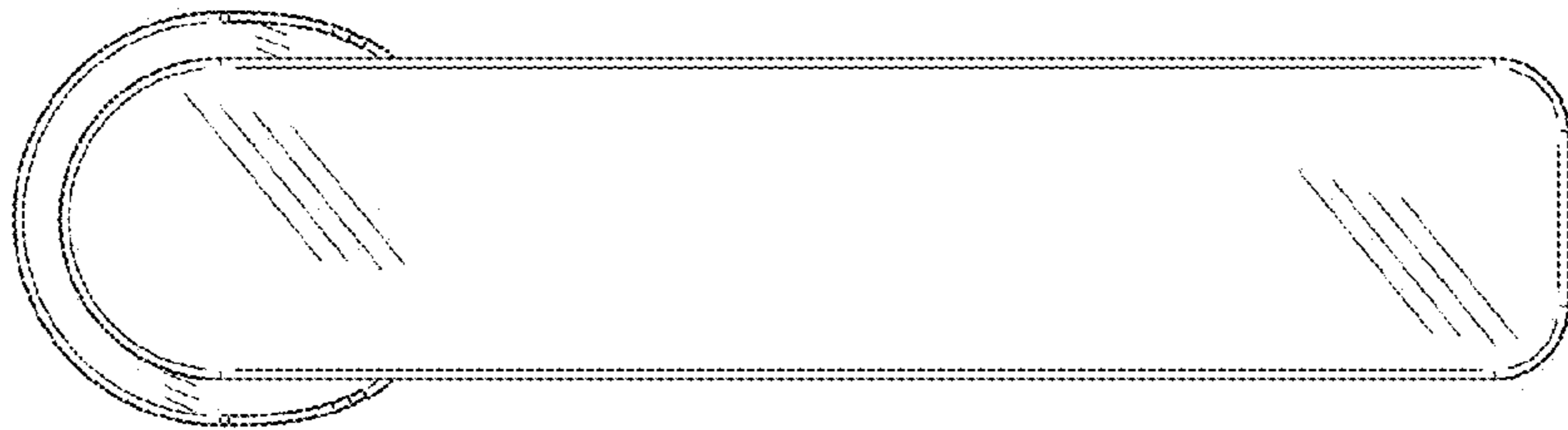
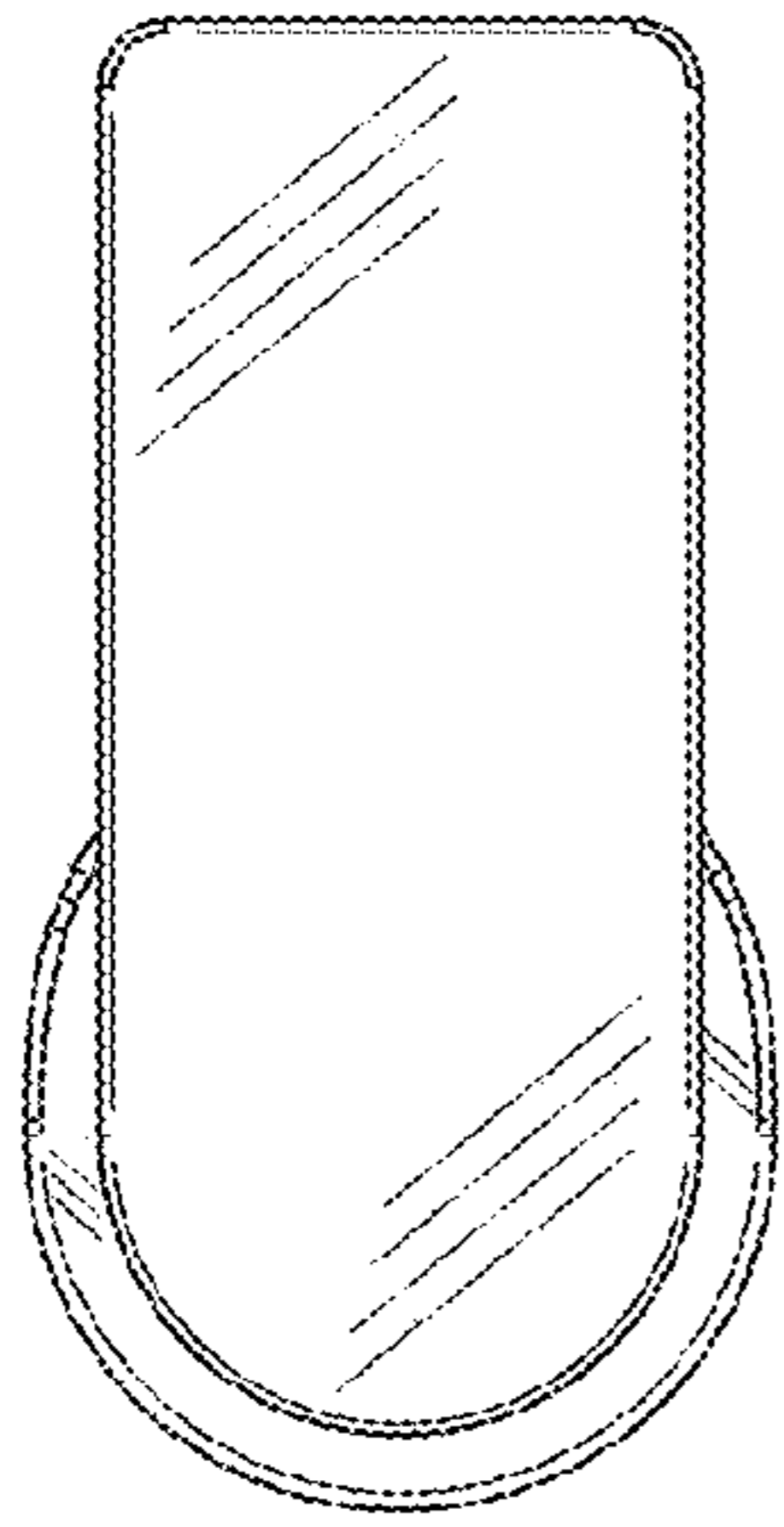


FIG. 5