



US00D965110S

(12) **United States Design Patent**
Qiu

(10) **Patent No.:** **US D965,110 S**

(45) **Date of Patent:** **** Sep. 27, 2022**

(54) **KITCHEN FAUCET**

(71) Applicant: **Wenzhou Furuisi building Materials Co., Ltd**, Zhejiang Province (CN)

(72) Inventor: **Chunhe Qiu**, Wenzhou (CN)

(**) Term: **15 Years**

(21) Appl. No.: **29/819,783**

(22) Filed: **Dec. 17, 2021**

(51) **LOC (13) Cl.** **23-01**

(52) **U.S. Cl.**
USPC **D23/238**

(58) **Field of Classification Search**
USPC D23/238–243, 255, 257; D8/307–308
See application file for complete search history.

(56) **References Cited**

U.S. PATENT DOCUMENTS

D662,183 S	6/2012	Sieger	
D823,436 S *	7/2018	He	D23/238
D825,032 S *	8/2018	He	D23/238
D912,213 S *	3/2021	Kuang	D23/238
D913,429 S *	3/2021	Seum	D23/238

OTHER PUBLICATIONS

Build with Ferguson, Moen Genta LX single Handle Centerset Faucet. <https://www.build.com/product/summary/1247707?uid=3641858> (Year: 2016).*
Homeemo, Beati Faucet Modern. <https://homeemo.com/products/beati-faucet-modern-widespread-waterfall-spout-bathroom-vessel-sink-tall-faucet-brushed-nickel> (Year: 2022).*

* cited by examiner

Primary Examiner — Robert A Delehanty

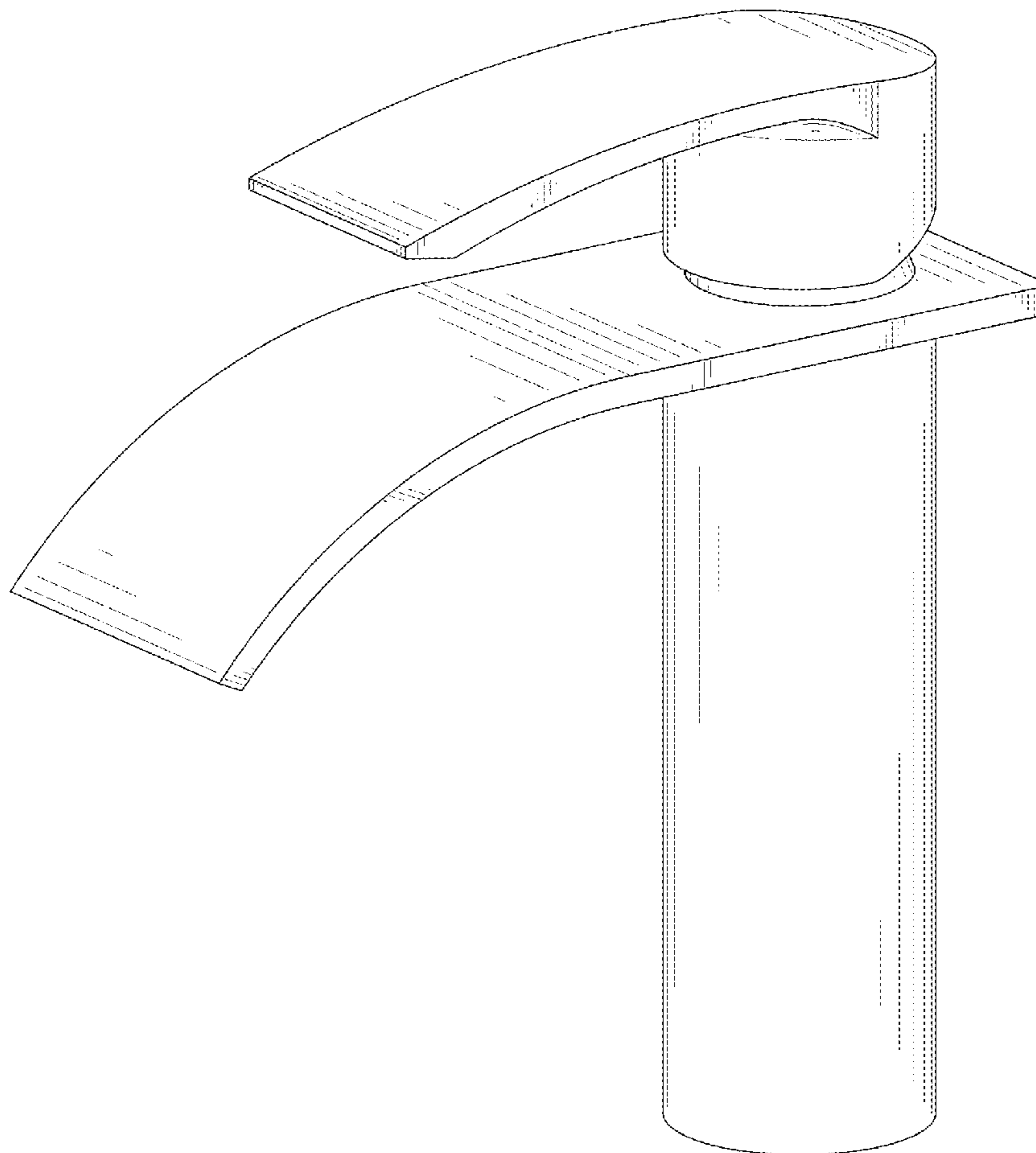
(57) **CLAIM**

The ornamental design for a kitchen faucet, as shown and described.

DESCRIPTION

FIG. 1 is a front and top perspective view of a kitchen faucet, showing my new design;
FIG. 2 is a rear and bottom perspective view thereof;
FIG. 3 is a front elevation view thereof;
FIG. 4 is a rear elevation view thereof;
FIG. 5 is a left side elevation view thereof;
FIG. 6 is a right side elevation view thereof;
FIG. 7 is a top plan view thereof; and,
FIG. 8 is a bottom plan view thereof.
The broken lines in the figures illustrate portions of the kitchen faucet that form no part of the claimed design.

1 Claim, 8 Drawing Sheets



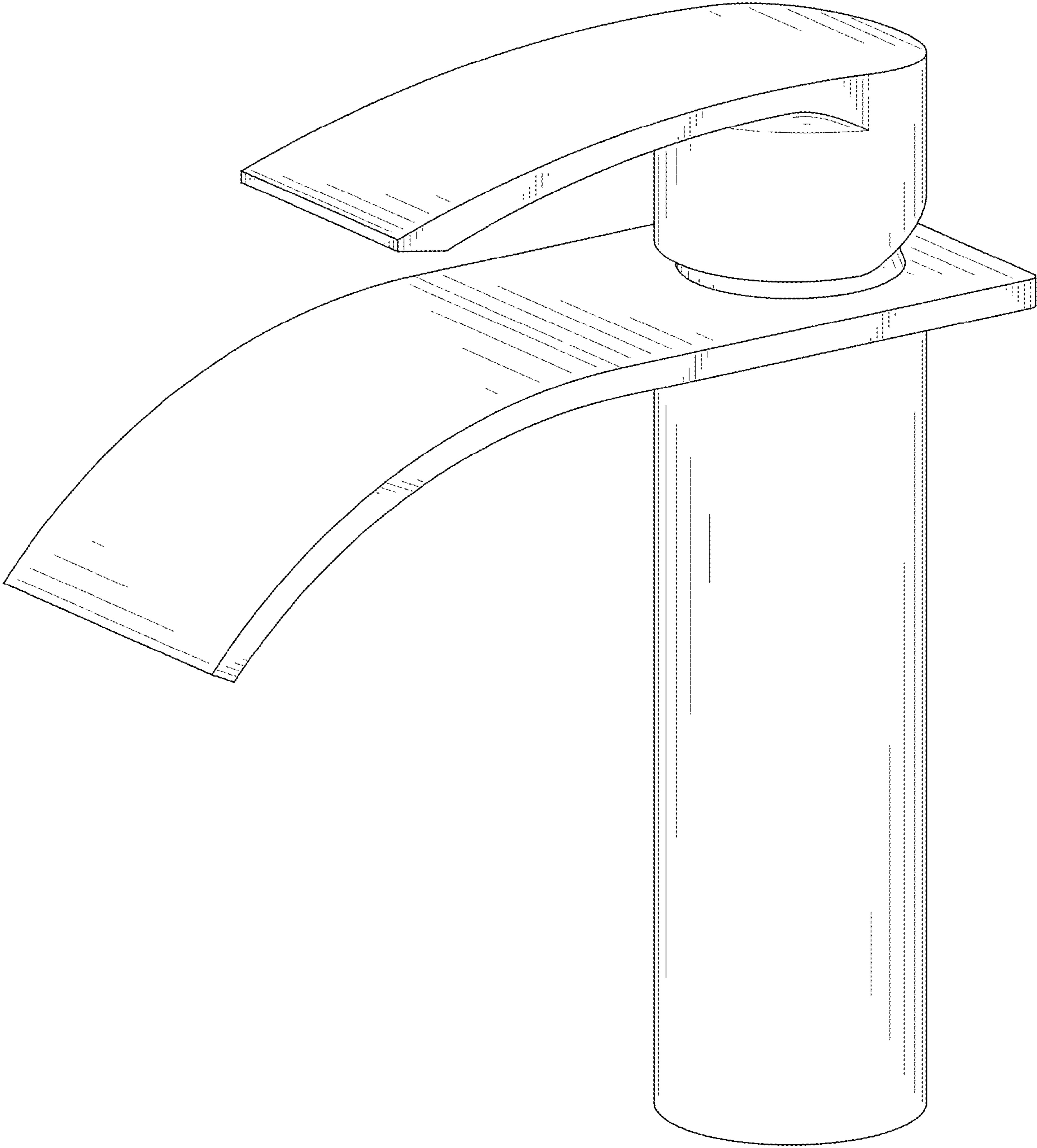


FIG. 1

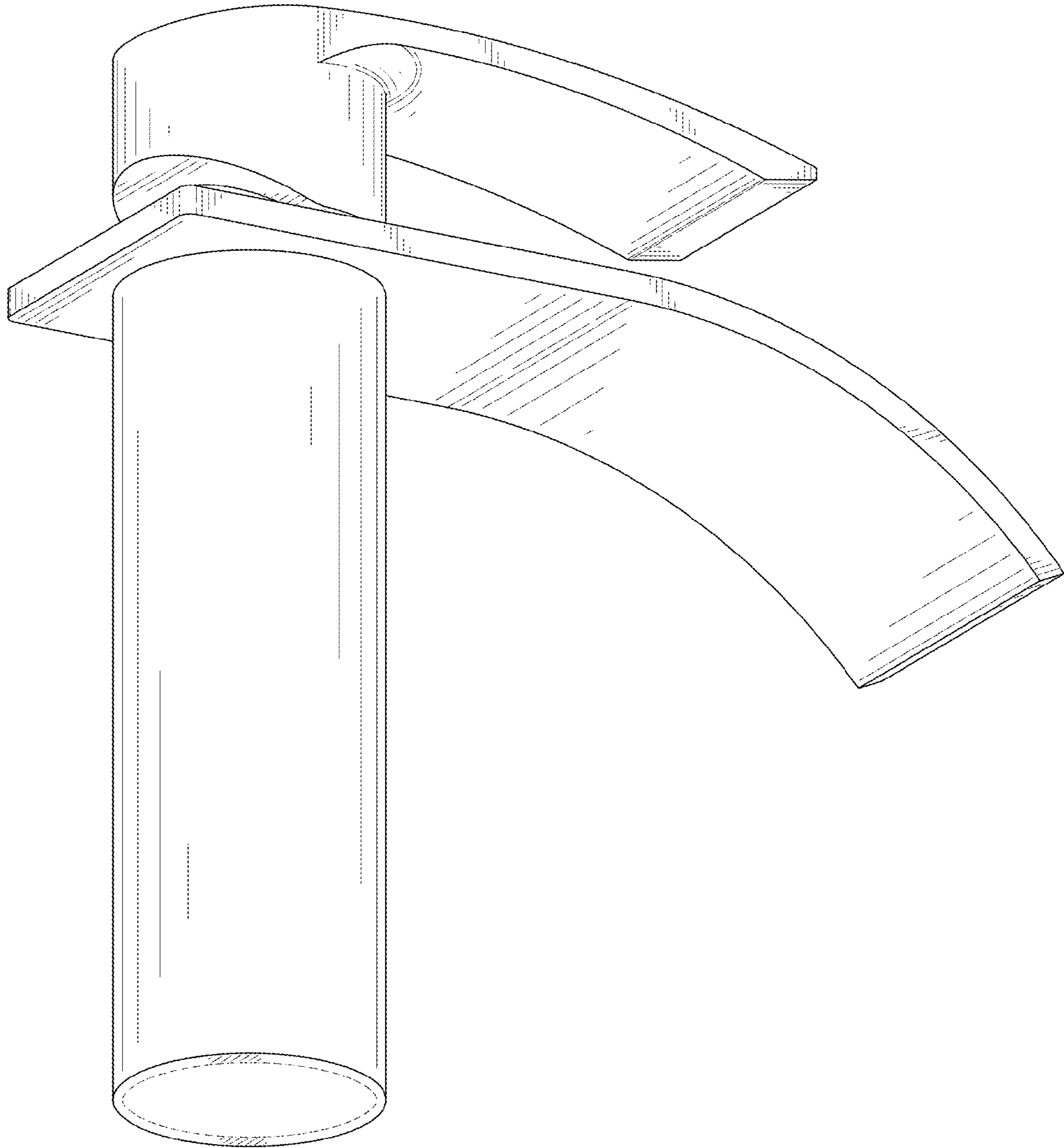


FIG. 2

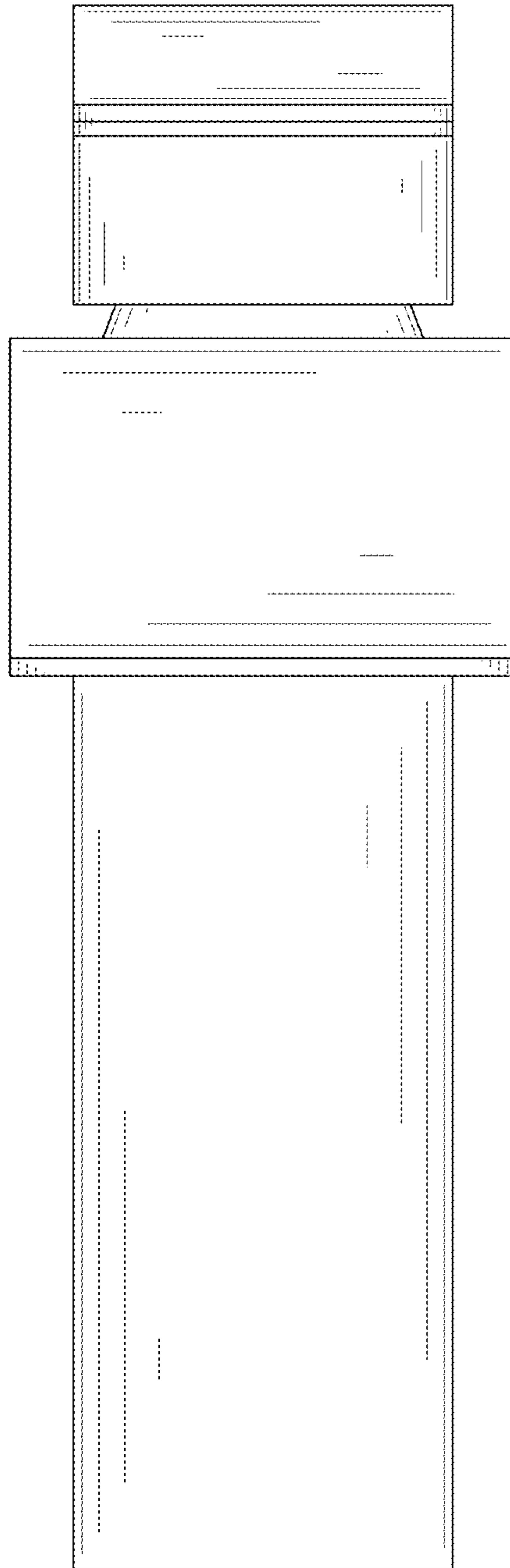


FIG. 3

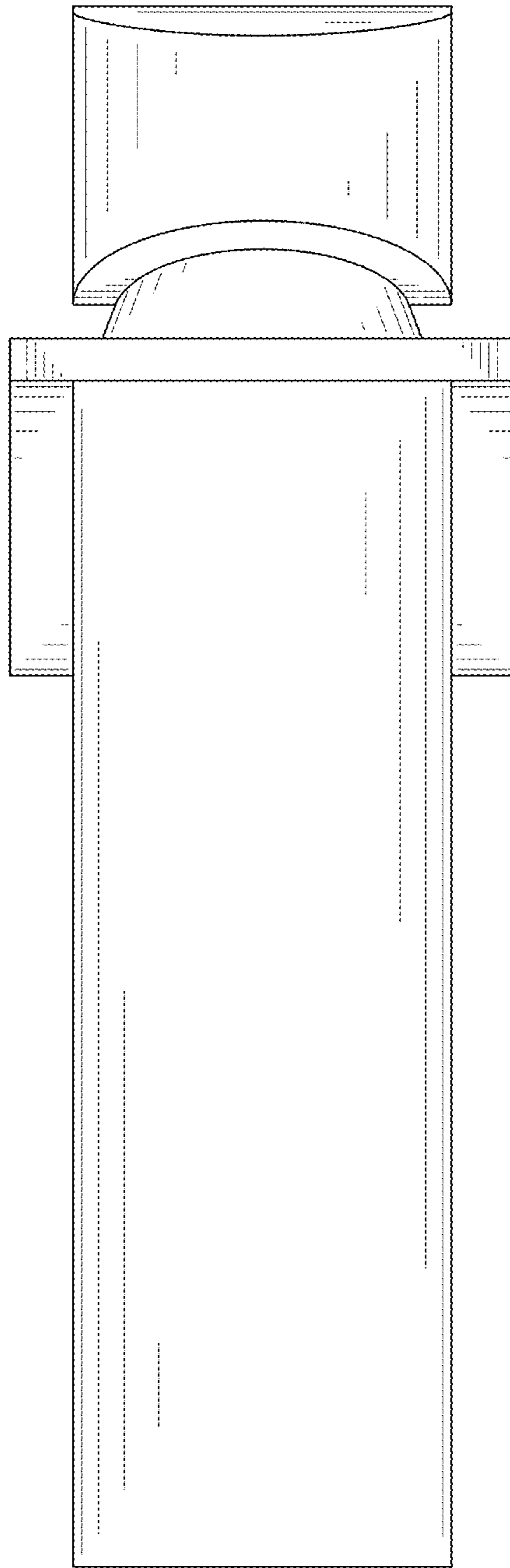


FIG. 4

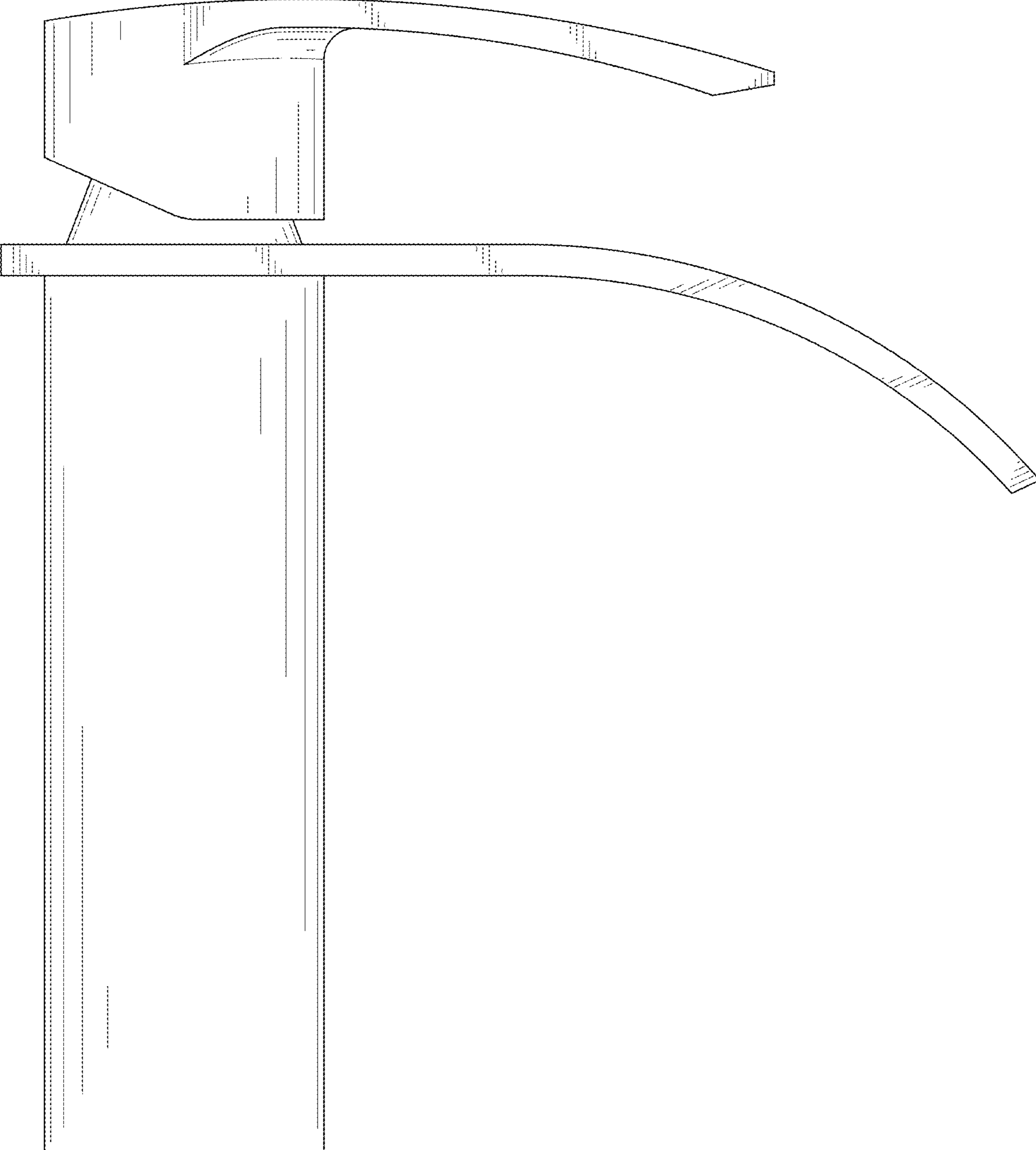


FIG. 5

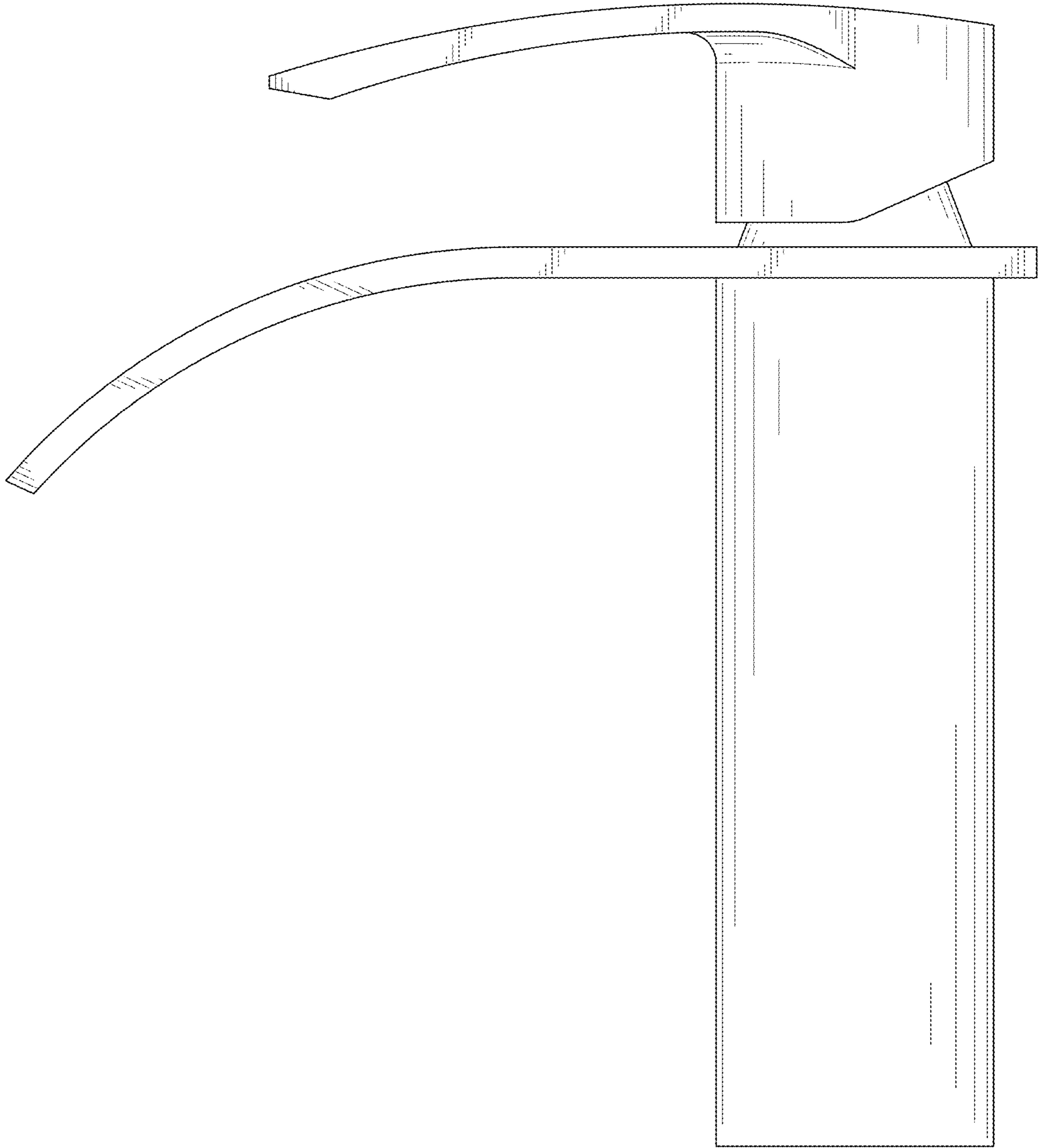


FIG. 6

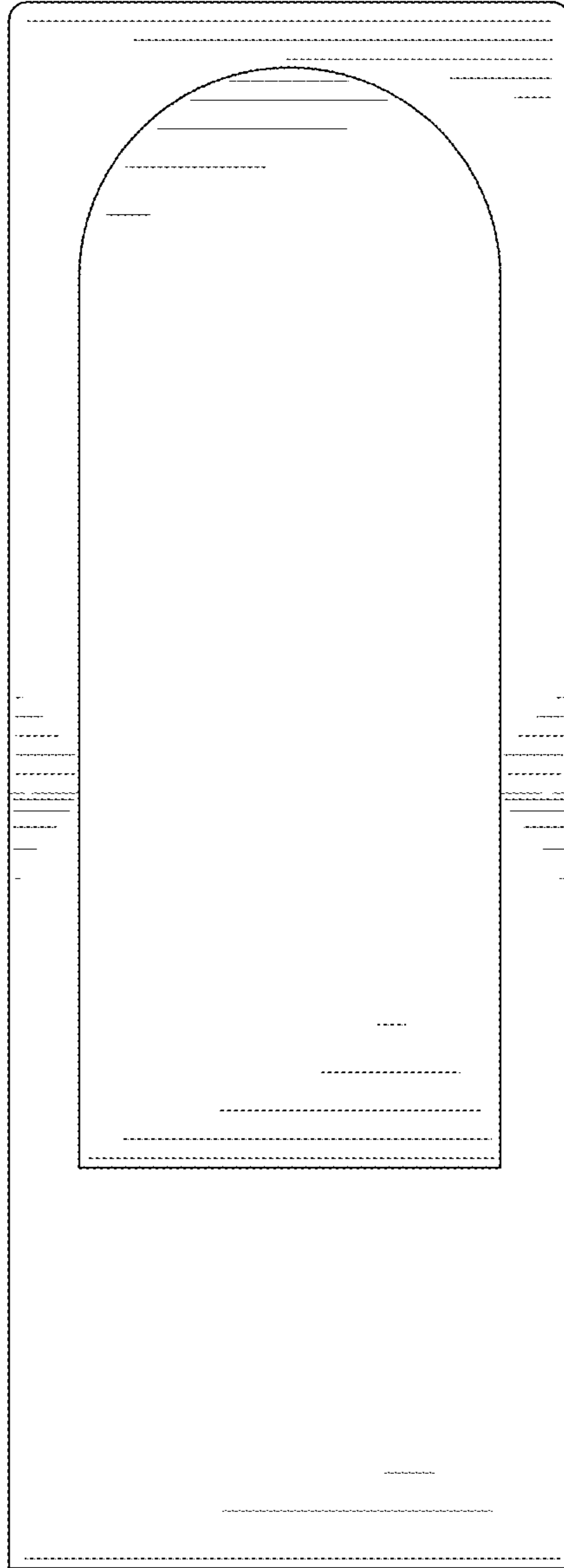


FIG. 7

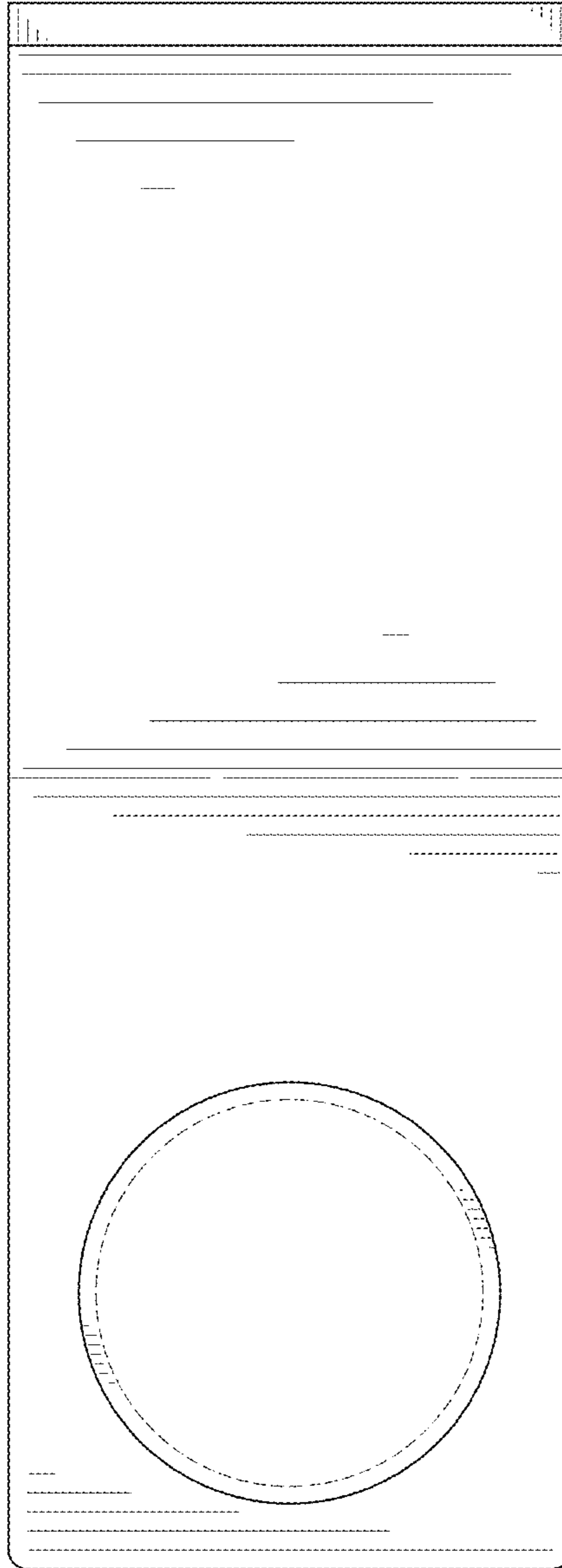


FIG. 8