



US00D965108S

(12) **United States Design Patent** (10) **Patent No.:** **US D965,108 S**
Tempel et al. (45) **Date of Patent:** **** Sep. 27, 2022**

(54) **CONVERTER FOR SANITARY OUTLET VALVE**

(71) Applicant: **Neoperl GmbH**, Mullheim (DE)

(72) Inventors: **Marc Tempel**, Freiburg (DE); **Yichao Bian**, Monheim am Rhein (DE)

(73) Assignee: **Neoperl GmbH**, Müllheim (DE)

(**) Term: **15 Years**

(21) Appl. No.: **29/686,465**

(22) Filed: **Apr. 4, 2019**

D295,674 S	5/1988	Ogasawara et al.
D309,653 S	7/1990	Kendrick
D442,267 S	5/2001	Kouda
D576,704 S	9/2008	Gilcher
D694,370 S	11/2013	Wilcox
D758,544 S	6/2016	Greenwood
D762,819 S	8/2016	Shishido
D779,046 S	2/2017	Tansey, Jr.
D820,956 S	6/2018	Ito et al.
D826,381 S	8/2018	Bian
D849,890 S *	5/2019	Tempel D23/233
D853,526 S *	7/2019	Ito D23/235
D854,126 S *	7/2019	Ito D23/235
D920,477 S *	5/2021	Bian F16K 1/00
		D23/233
D944,862 S *	3/2022	Jacob D15/5
2018/0156366 A1 *	6/2018	Kury F16L 19/0218
2019/0383402 A1 *	12/2019	Tempel F16K 27/0236

Related U.S. Application Data

(62) Division of application No. 35/502,811, filed on Mar. 22, 2017 (U.S. filing date under 35 U.S.C. 384), and having an international filing date of Mar. 22, 2017, now Pat. No. Des. 849,890.

(51) **LOC (13) Cl.** **23-01**

(52) **U.S. Cl.**
USPC **D23/233; D23/235; D23/249**

(58) **Field of Classification Search**
USPC D23/233, 235, 237, 247-249, 258-260, D23/262, 265, 266; D15/5, 7
CPC . F16K 1/00; F16K 15/00; F16K 15/18; F16K 15/26; F16K 15/044
See application file for complete search history.

(56) **References Cited**

U.S. PATENT DOCUMENTS

2,998,933 A	9/1961	Aghnides
D234,359 S	2/1975	Holben et al.
D262,969 S	9/1982	Howes

* cited by examiner

Primary Examiner — Keli L Hill

(74) *Attorney, Agent, or Firm* — Volpe Koenig

(57) **CLAIM**

The ornamental design for a converter for sanitary outlet valve, as shown and described.

DESCRIPTION

FIG. 1 is a top plan view of a converter for sanitary outlet valve in accordance with my design;
FIG. 2 is a top, front, right perspective view thereof;
FIG. 3 is a bottom plan view thereof;
FIG. 4 is a bottom, rear, left perspective view thereof;
FIG. 5 is a front elevational view thereof;
FIG. 6 is a right side elevational view thereof;
FIG. 7 is a rear elevational view thereof; and,
FIG. 8 is a left side elevational view thereof.

1 Claim, 8 Drawing Sheets

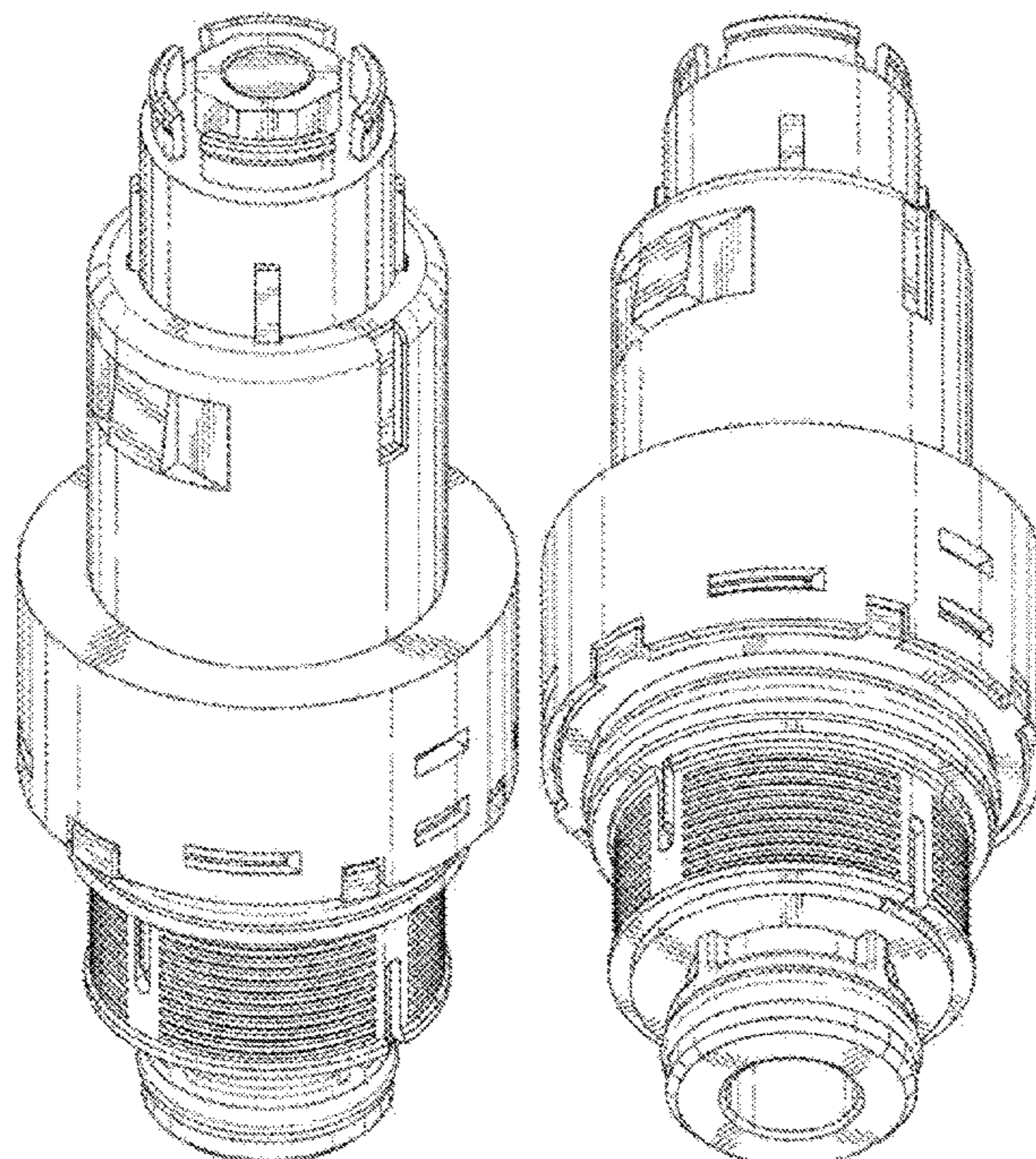


Fig. 1

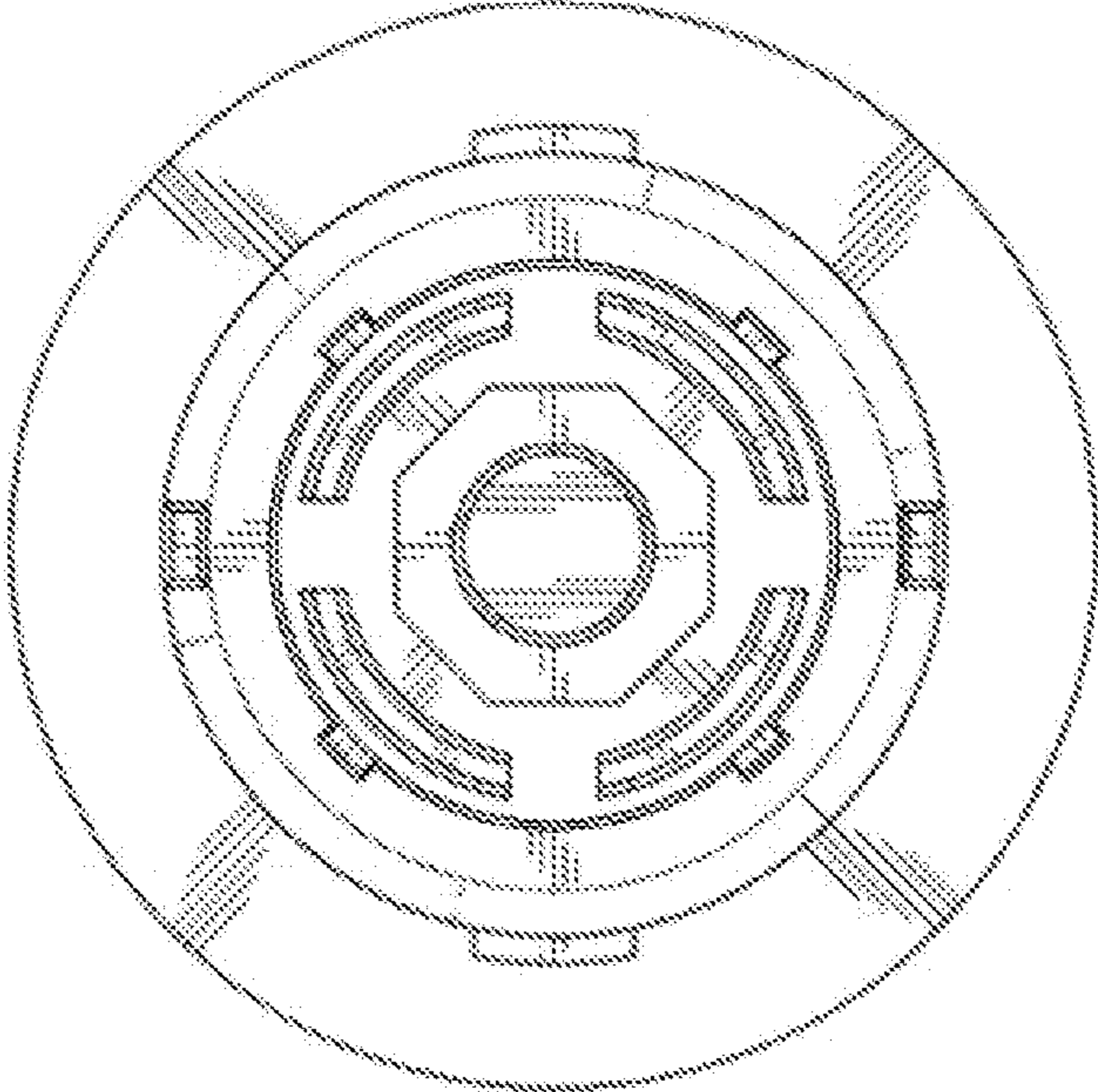


Fig. 2

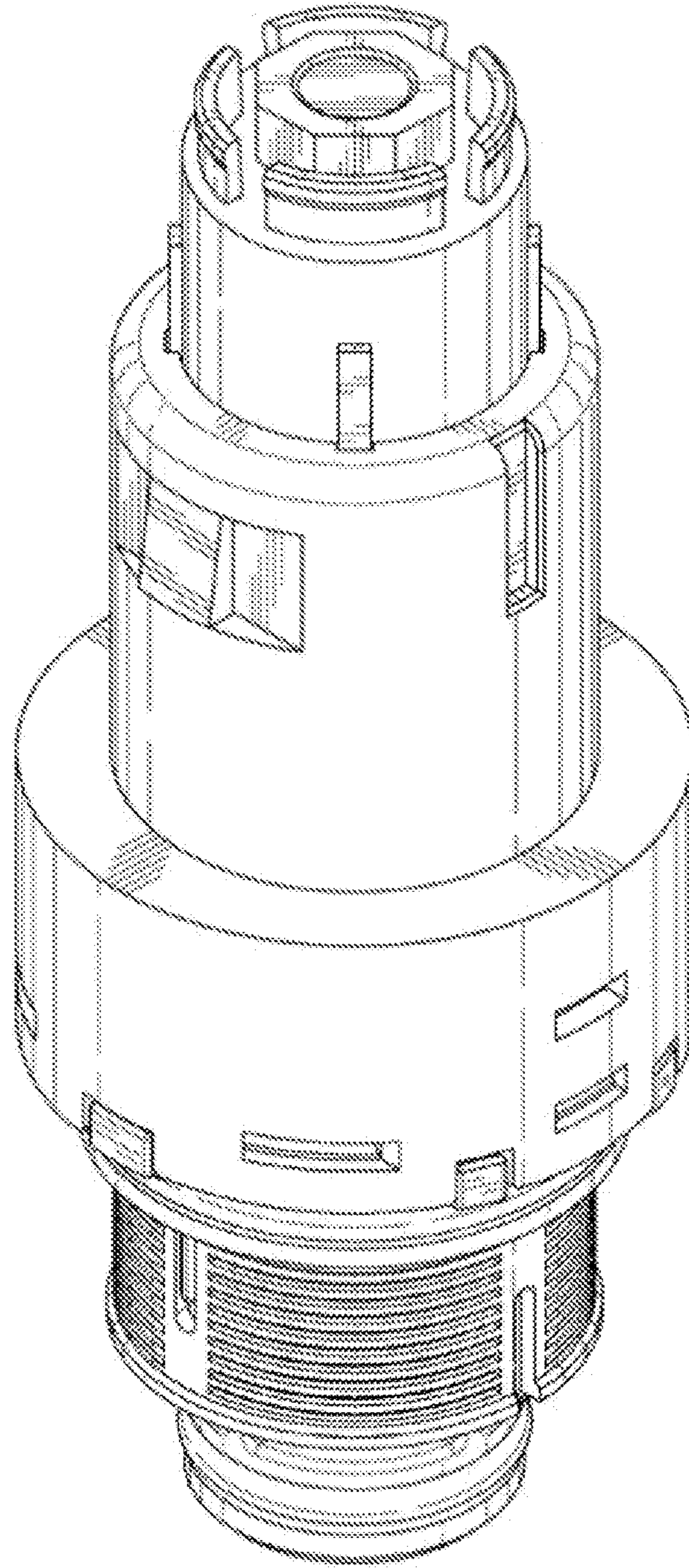


Fig. 3

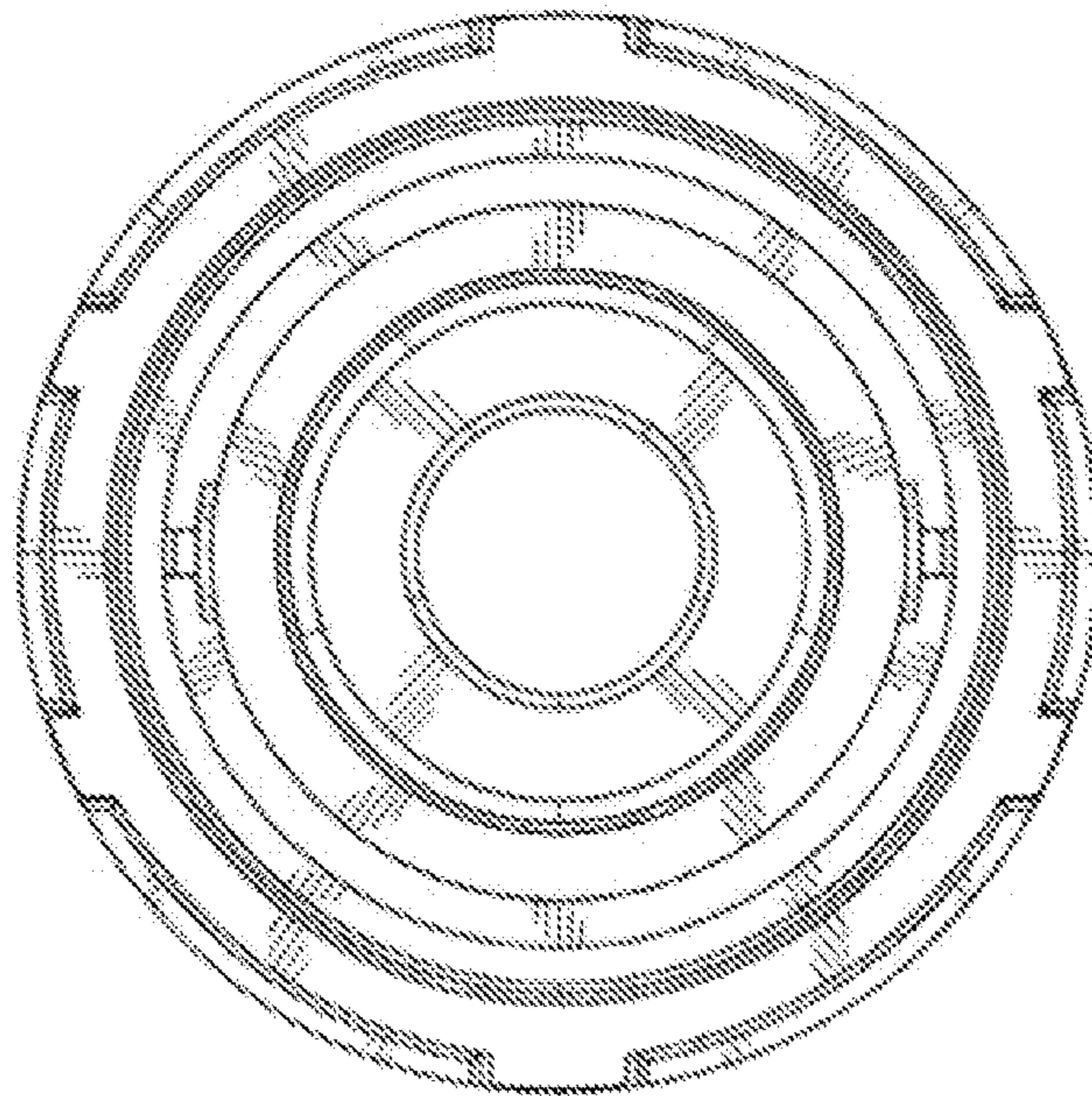


Fig. 4

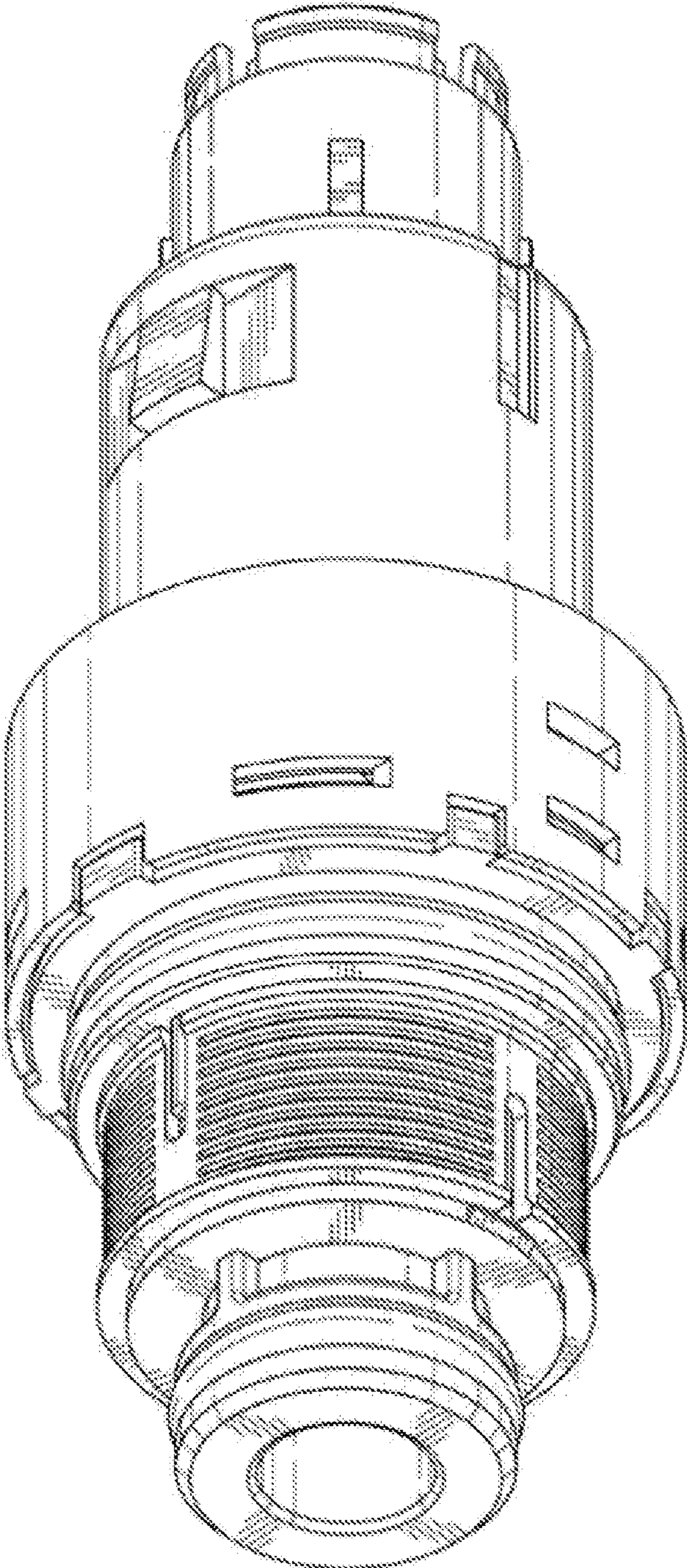


Fig. 5

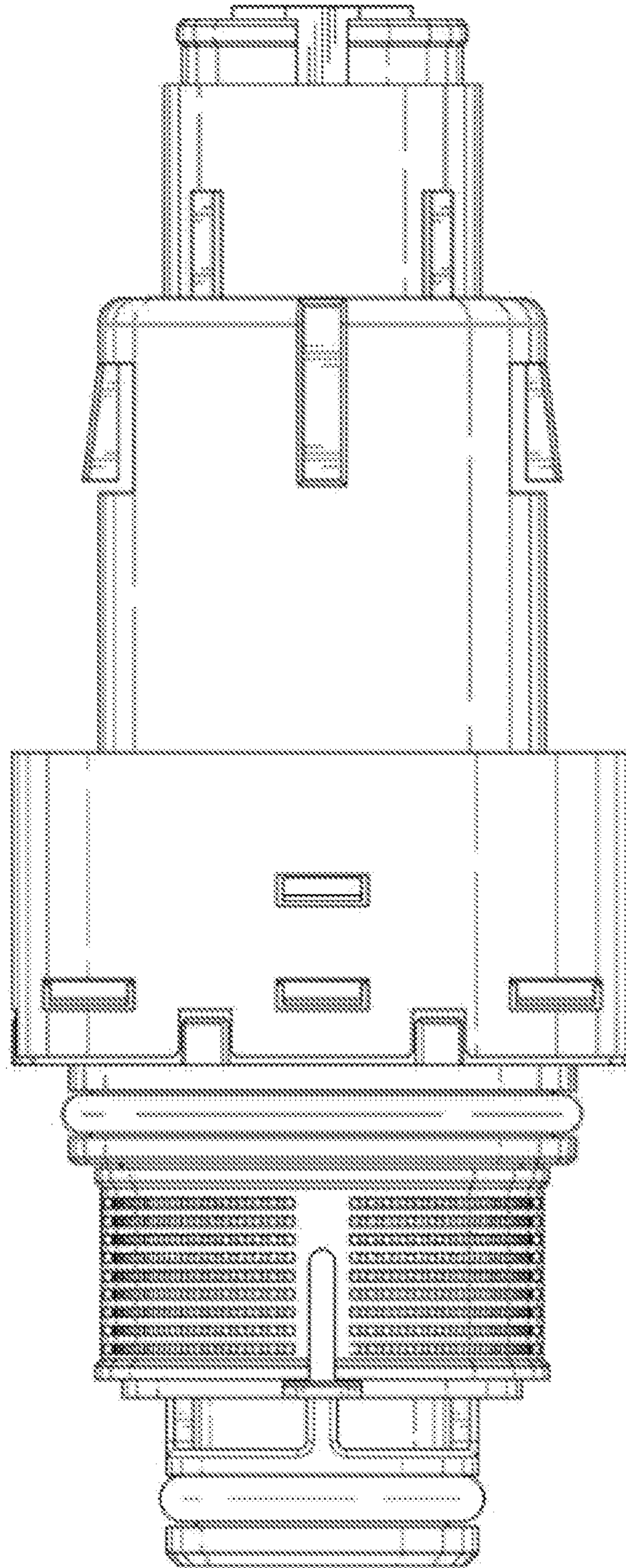


Fig. 6

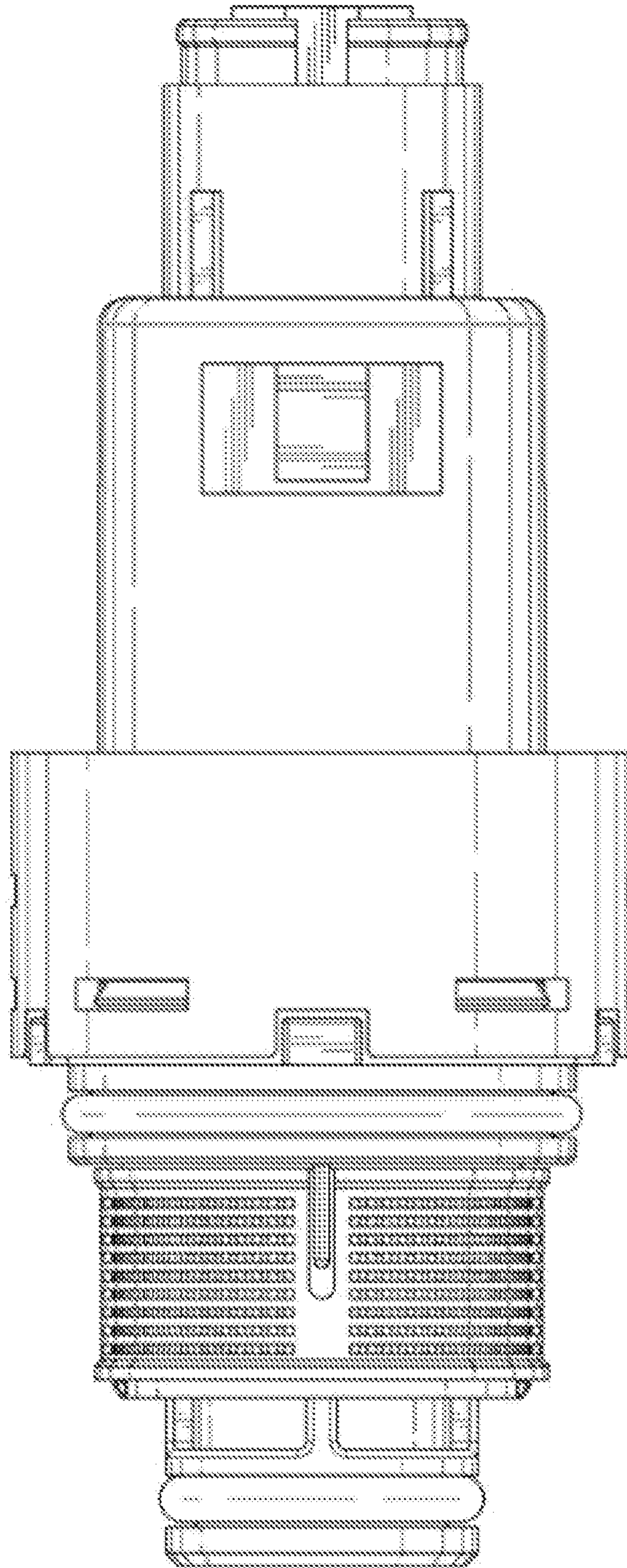


Fig. 7

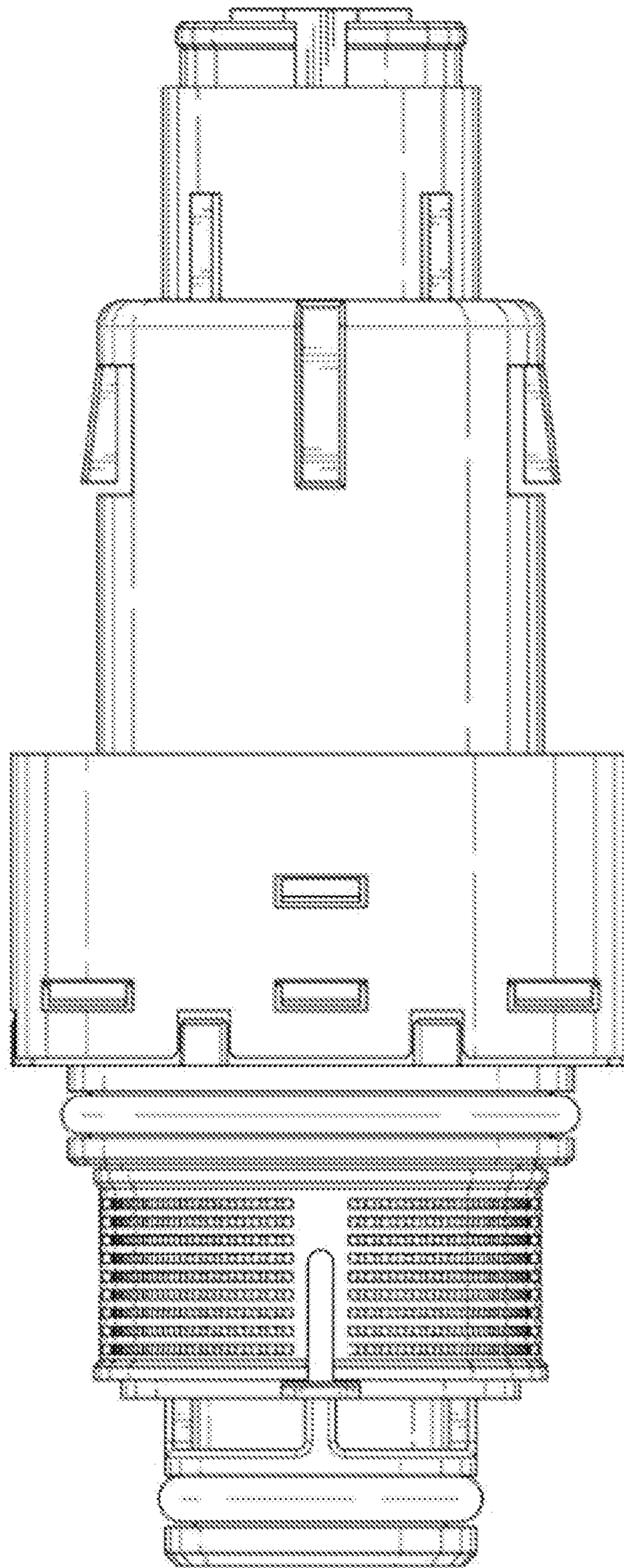


Fig. 8

