



US00D965107S

(12) **United States Design Patent**  
**Yang et al.**

(10) **Patent No.:** **US D965,107 S**

(45) **Date of Patent:** **\*\* \*Sep. 27, 2022**

(54) **SPRAYER**

(71) Applicant: **Zhejiang Prulde Electric Appliance Co., Ltd., Zhejiang (CN)**

(72) Inventors: **Weiming Yang, Zhejiang (CN); Ting Han, Zhejiang (CN)**

(73) Assignee: **Zhejiang Prulde Electric Appliance Co., Ltd., Zhejiang (CN)**

(\*) Notice: This patent is subject to a terminal disclaimer.

(\*\*) Term: **15 Years**

(21) Appl. No.: **29/712,283**

(22) Filed: **Nov. 7, 2019**

(30) **Foreign Application Priority Data**

May 7, 2019 (CN) ..... 201930218734.0

(51) **LOC (13) Cl.** ..... **23-01**

(52) **U.S. Cl.**  
USPC ..... **D23/225**

(58) **Field of Classification Search**  
USPC ..... D23/213, 214, 215, 223, 224, 225, 226,  
D23/229

CPC ..... A61H 9/0021; A61H 33/00; B05B 1/00;  
B05B 1/14; B05B 1/185; B05B 1/08;  
B05B 1/02; B05B 1/26; B05B 12/002;  
B05B 1/18; B05B 9/01

See application file for complete search history.

(56) **References Cited**

**U.S. PATENT DOCUMENTS**

D542,373 S \* 5/2007 Cooper ..... D23/225  
D607,968 S \* 1/2010 Wojciechowski ..... D23/213  
D639,388 S \* 6/2011 Plantz ..... D23/225  
D639,389 S \* 6/2011 Plantz ..... D23/225  
D670,788 S \* 11/2012 Plantz ..... D23/225

D705,899 S \* 5/2014 Abernethy ..... D23/225  
D713,005 S \* 9/2014 Nicolia ..... D23/225  
D713,501 S \* 9/2014 Nicolia ..... D23/225  
D743,505 S \* 11/2015 Clarey ..... D23/225  
D746,409 S \* 12/2015 Mitchell ..... D23/225  
D758,534 S \* 6/2016 Clarey ..... D23/225

(Continued)

**OTHER PUBLICATIONS**

Bare Ground BGPSO-1 Empty Battery Powered Sprayer, Jan. 25, 2018, amazon.ca, Jul. 6, 2022, URL: [https://www.amazon.ca/dp/B001TAEMH2/ref=sbl\\_dpx\\_ca-outdoor-gardening-sprayers\\_B09CGQPNQG\\_0](https://www.amazon.ca/dp/B001TAEMH2/ref=sbl_dpx_ca-outdoor-gardening-sprayers_B09CGQPNQG_0) (Year: 2018).\*

(Continued)

*Primary Examiner* — Keith J Wilson

(74) *Attorney, Agent, or Firm* — JCIP Global Inc.

(57) **CLAIM**

The ornamental design for a sprayer, as shown and described.

**DESCRIPTION**

FIG. 1 is a perspective view of a sprayer showing our new design;

FIG. 2 is a front view thereof;

FIG. 3 is a rear view thereof;

FIG. 4 is a left side view thereof;

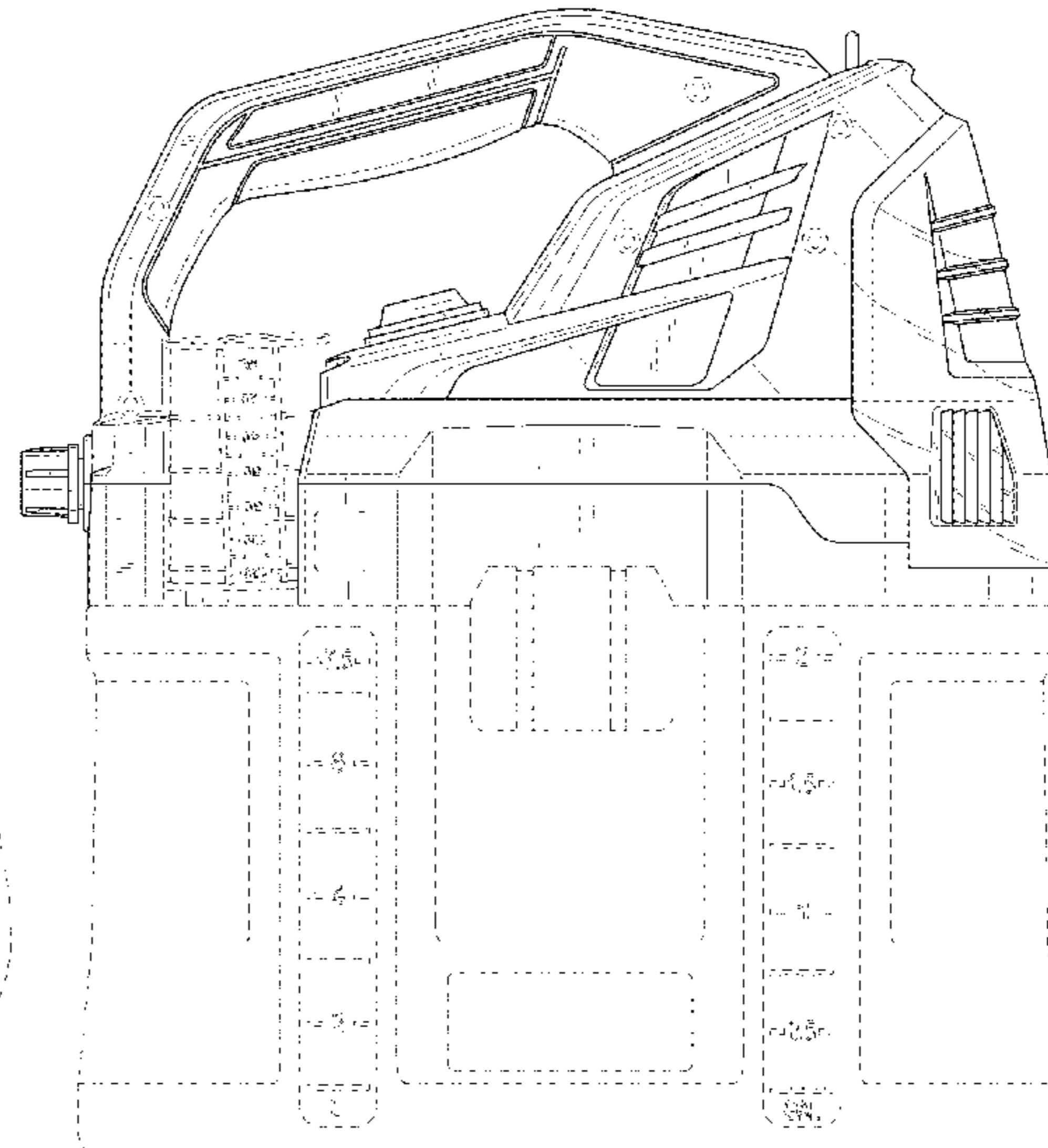
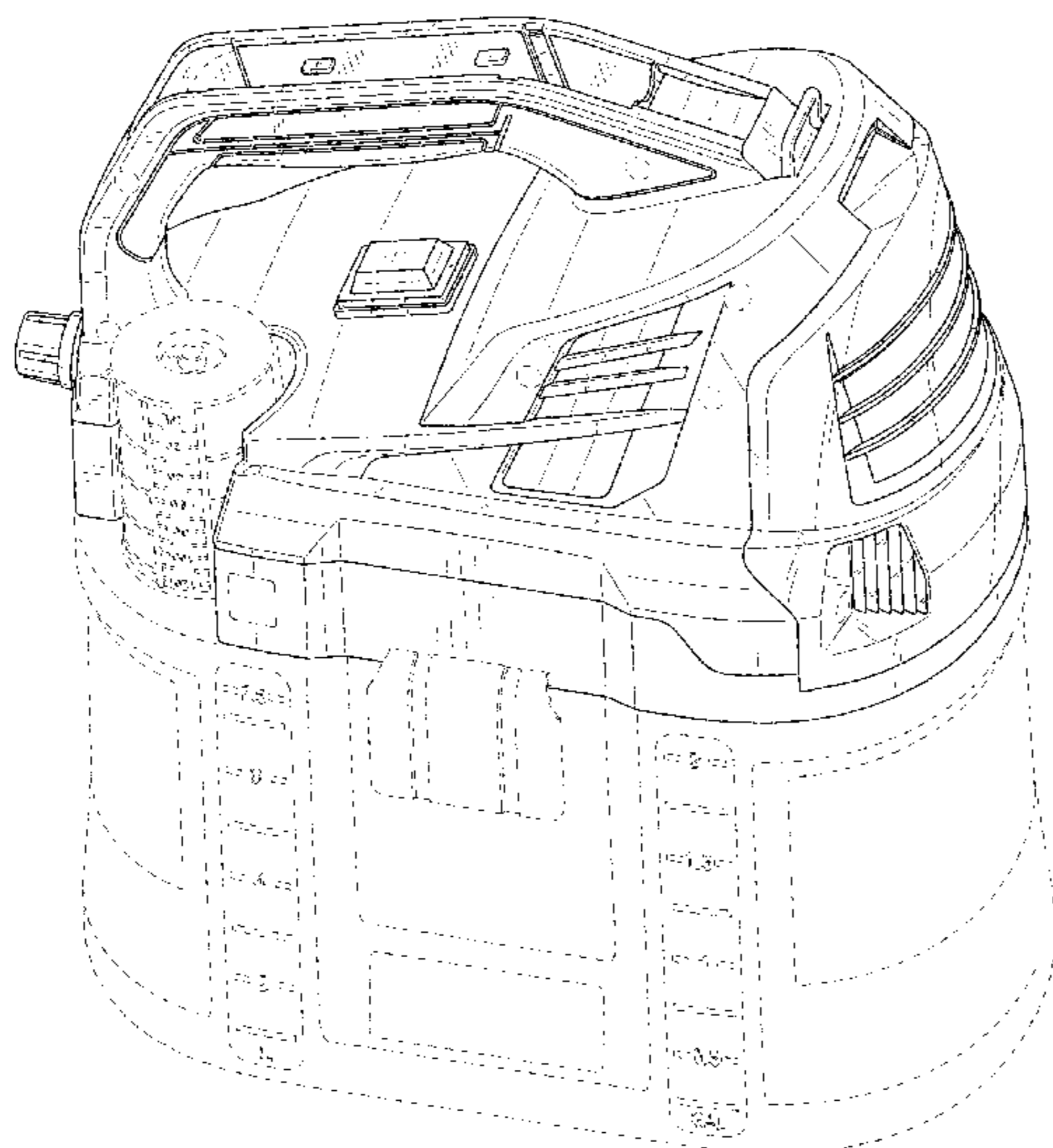
FIG. 5 is a right side view thereof;

FIG. 6 is a top view thereof; and,

FIG. 7 is a bottom view thereof.

The dashed broken lines represent portions of the sprayer that form no part of the claimed design. The long dash-short dash broken line in FIG. 4 represents the boundary of the claimed design, and form no part thereof. The oblique line shading shown in the drawings indicates a transparent or translucent surface. Internal structure of the transparent or translucent surface is omitted. No claim is made to any elements inside the transparent or translucent surface.

**1 Claim, 6 Drawing Sheets**



(56)

**References Cited**

U.S. PATENT DOCUMENTS

D850,581 S \* 6/2019 Mazur ..... D23/225  
D945,562 S \* 3/2022 Yang ..... D23/225  
D948,664 S \* 4/2022 Lai ..... D23/225  
D952,098 S \* 5/2022 Tong ..... D32/25  
D956,926 S \* 7/2022 Chen ..... D23/225  
2020/0217313 A1\* 7/2020 Carideo ..... F04B 49/10

OTHER PUBLICATIONS

Wagner Spraytech 0529017 PaintREADY Station HVLP Stationary  
Paint Sprayer, Sep. 10, 2016, amazon.ca, Jul. 6, 2022, URL:  
<https://www.amazon.ca/Wagner-Spraytech-0529017-PaintREADY-Station/dp/B01L8LR7DM/> (Year: 2016).\*

\* cited by examiner

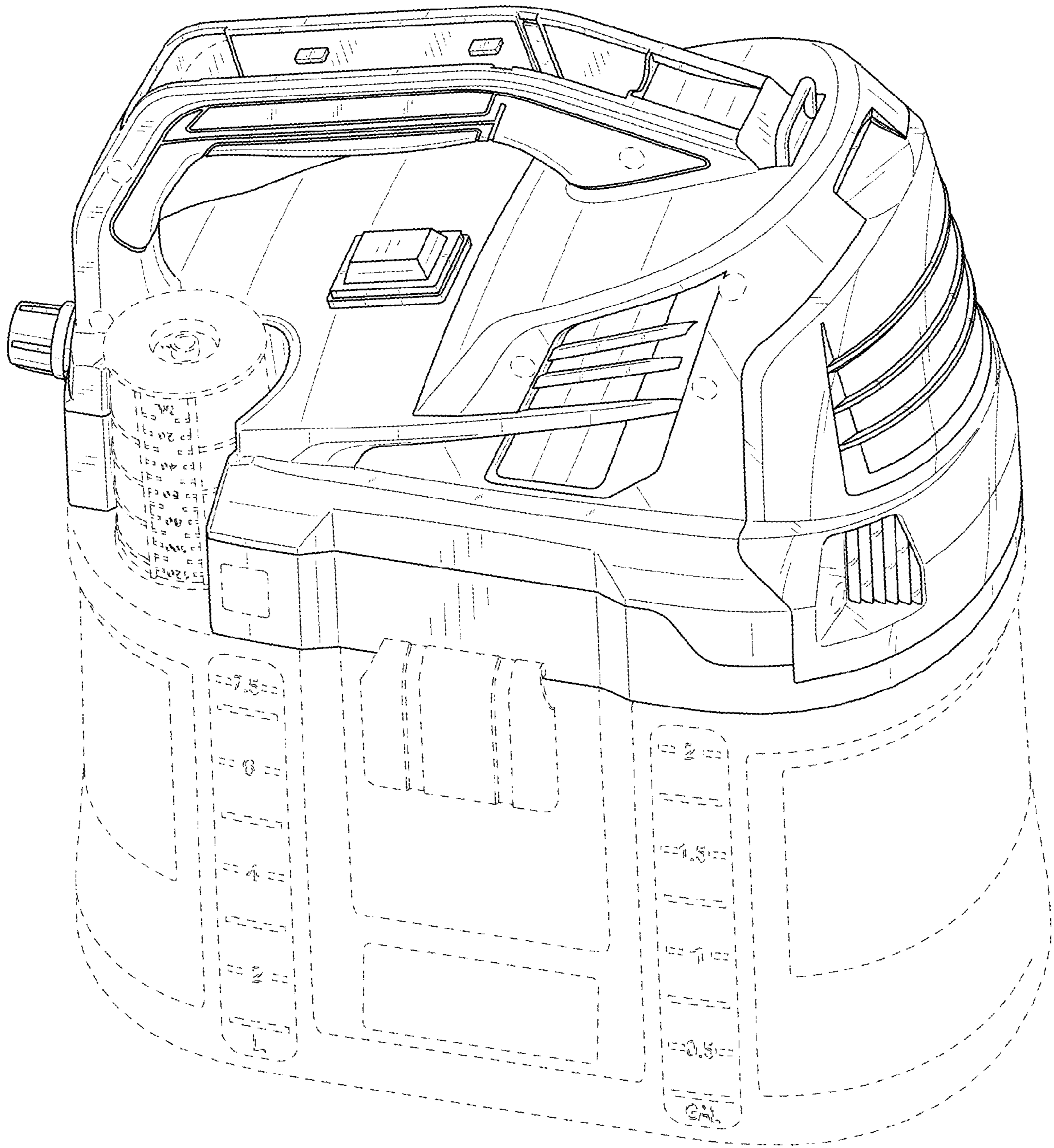


FIG. 1

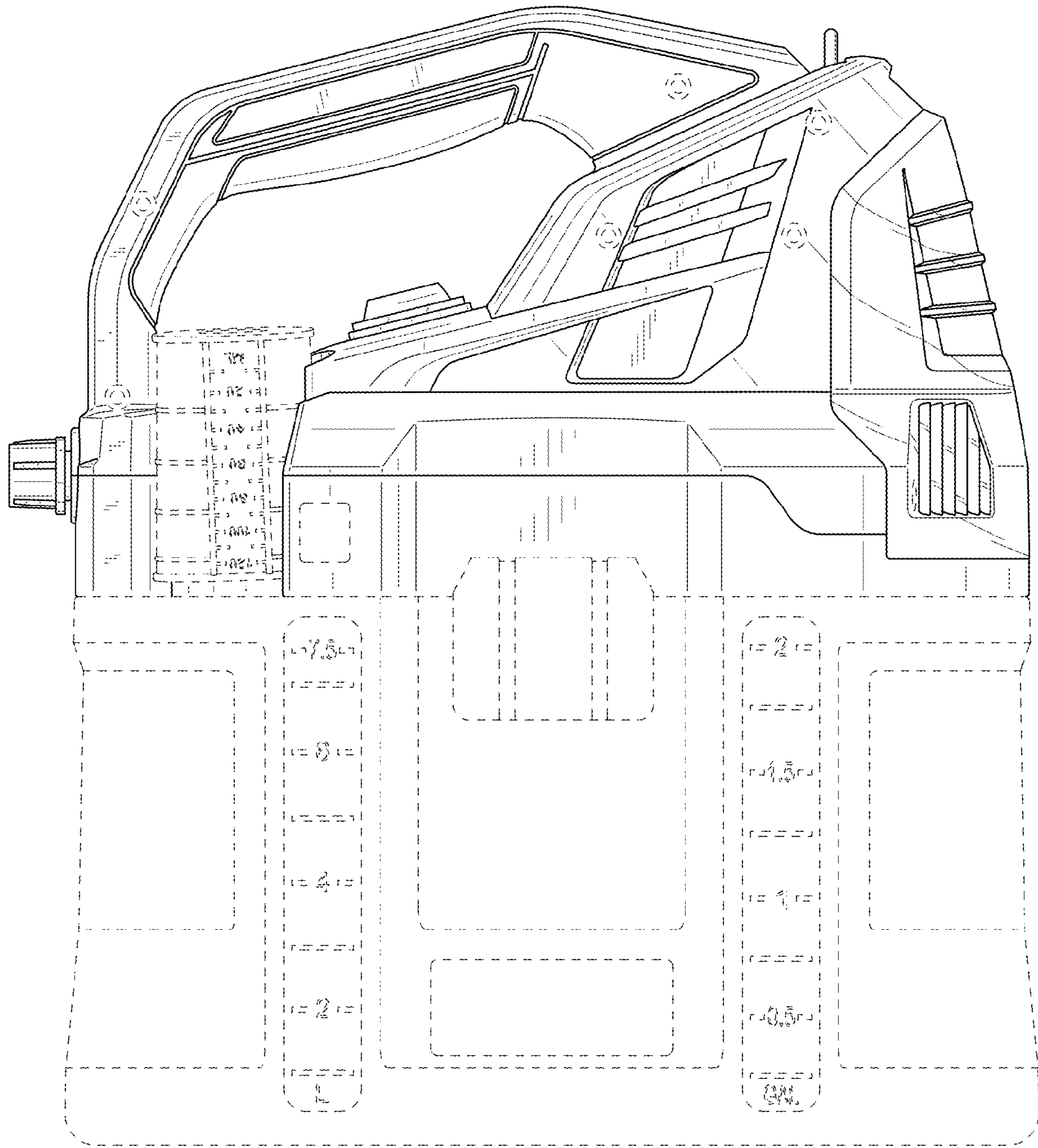


FIG. 2

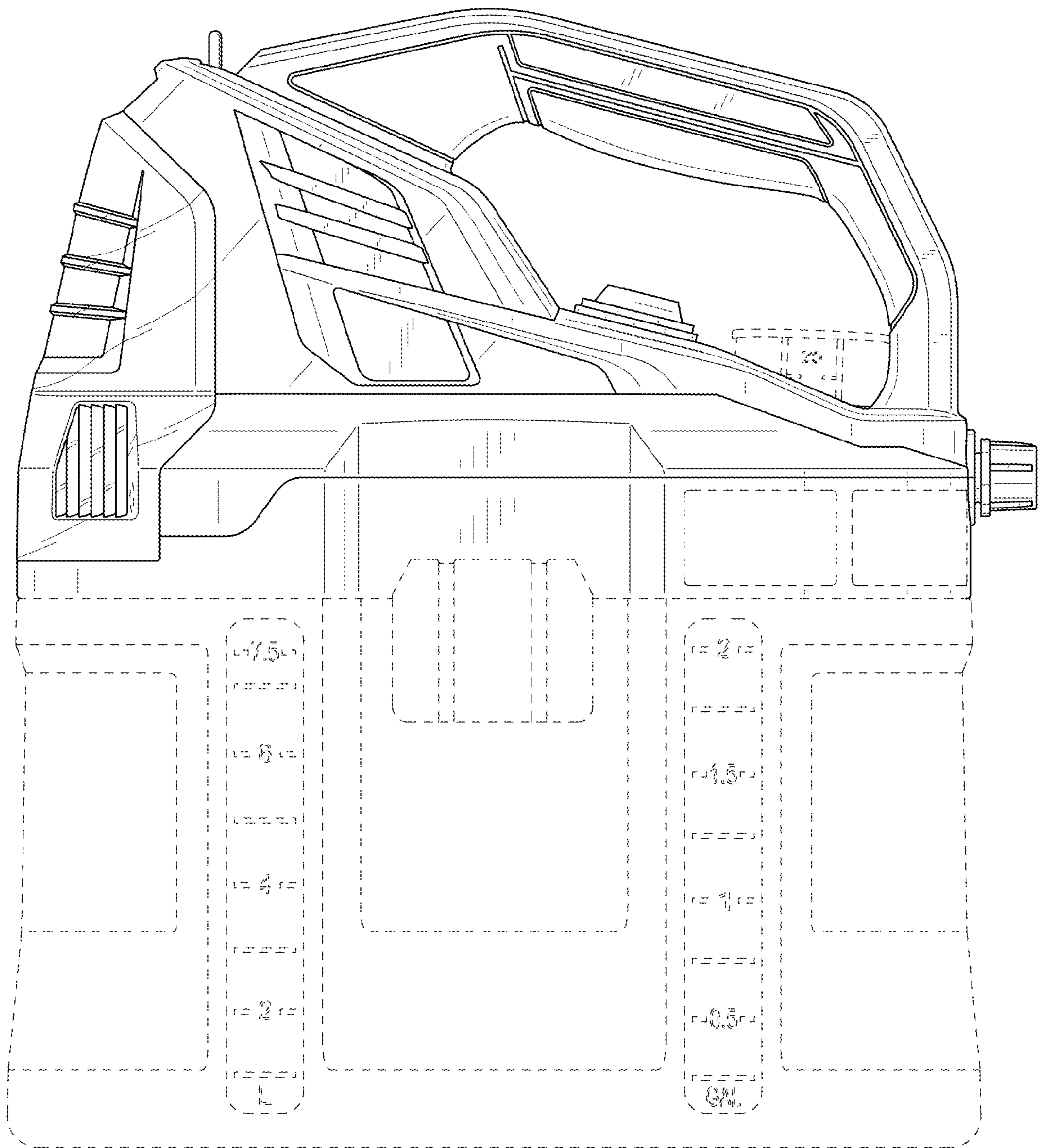


FIG. 3

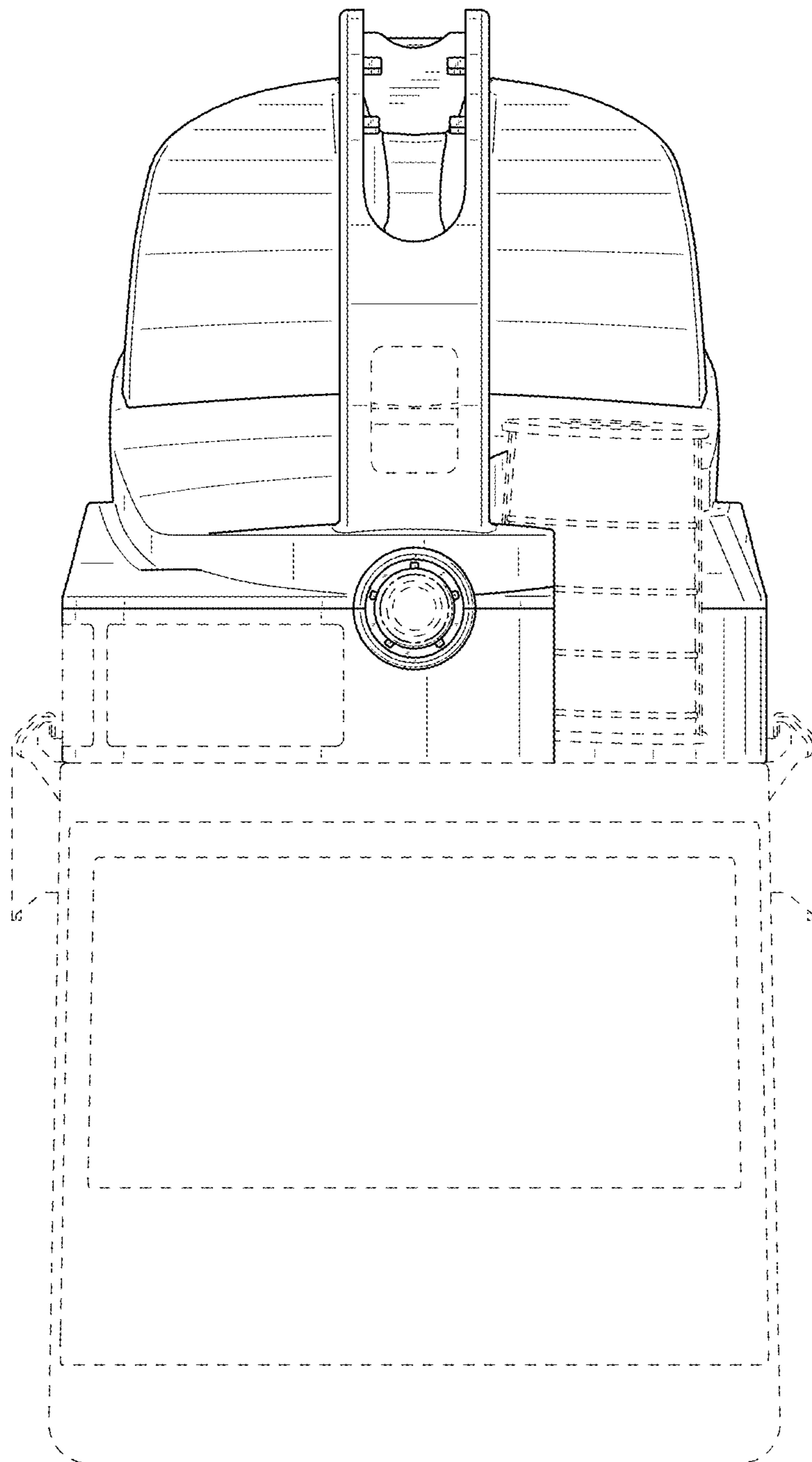


FIG. 4

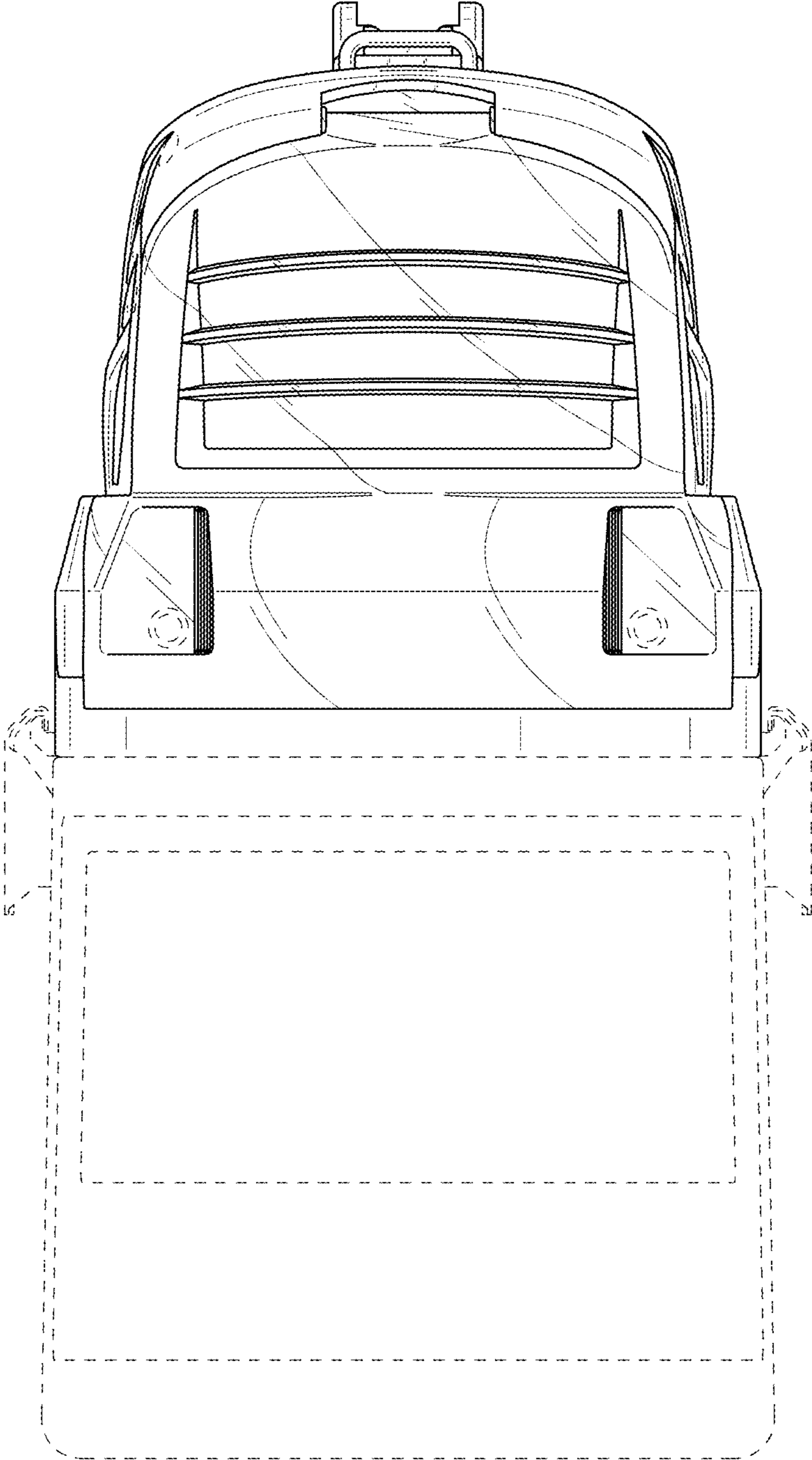


FIG. 5

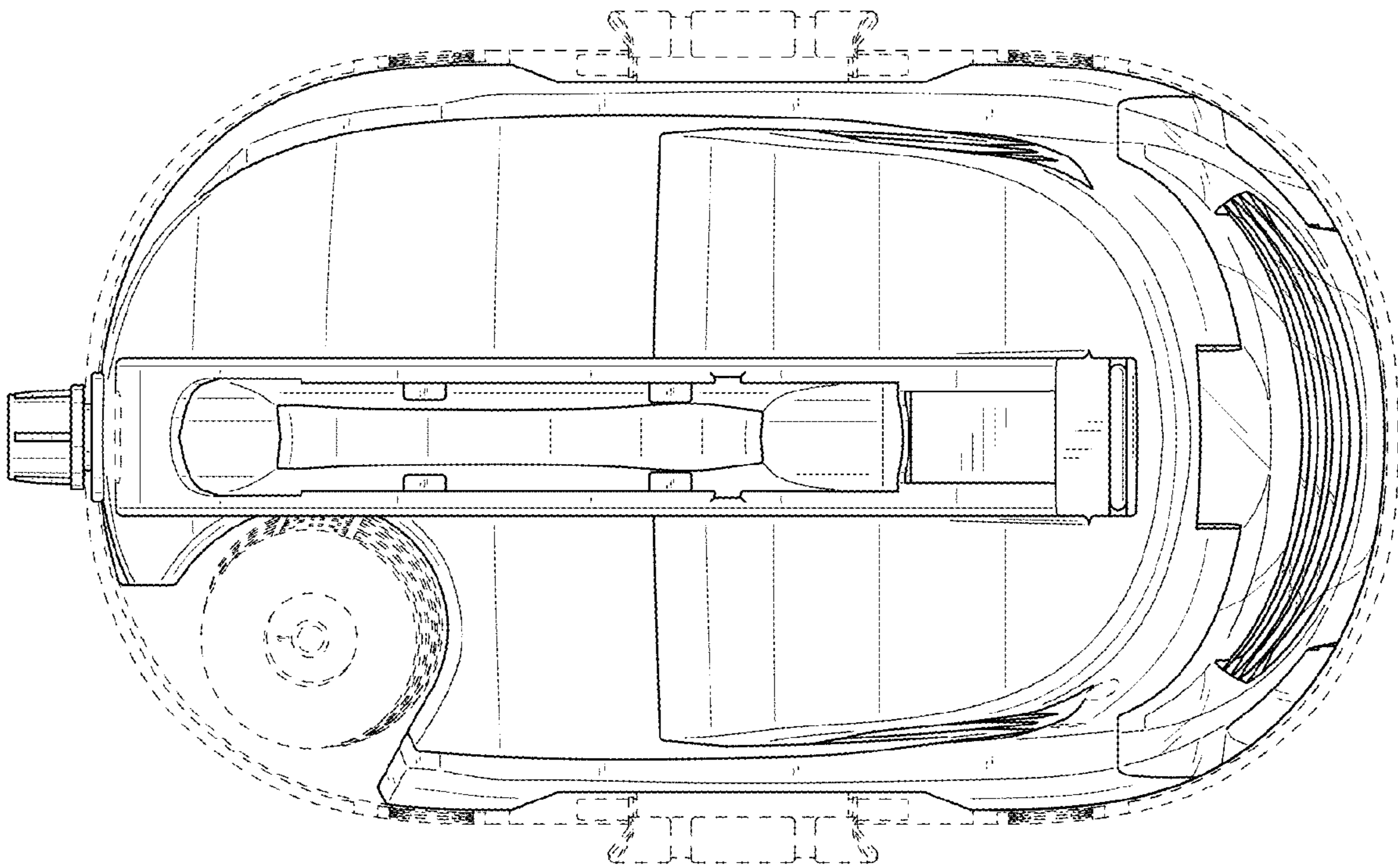


FIG. 6

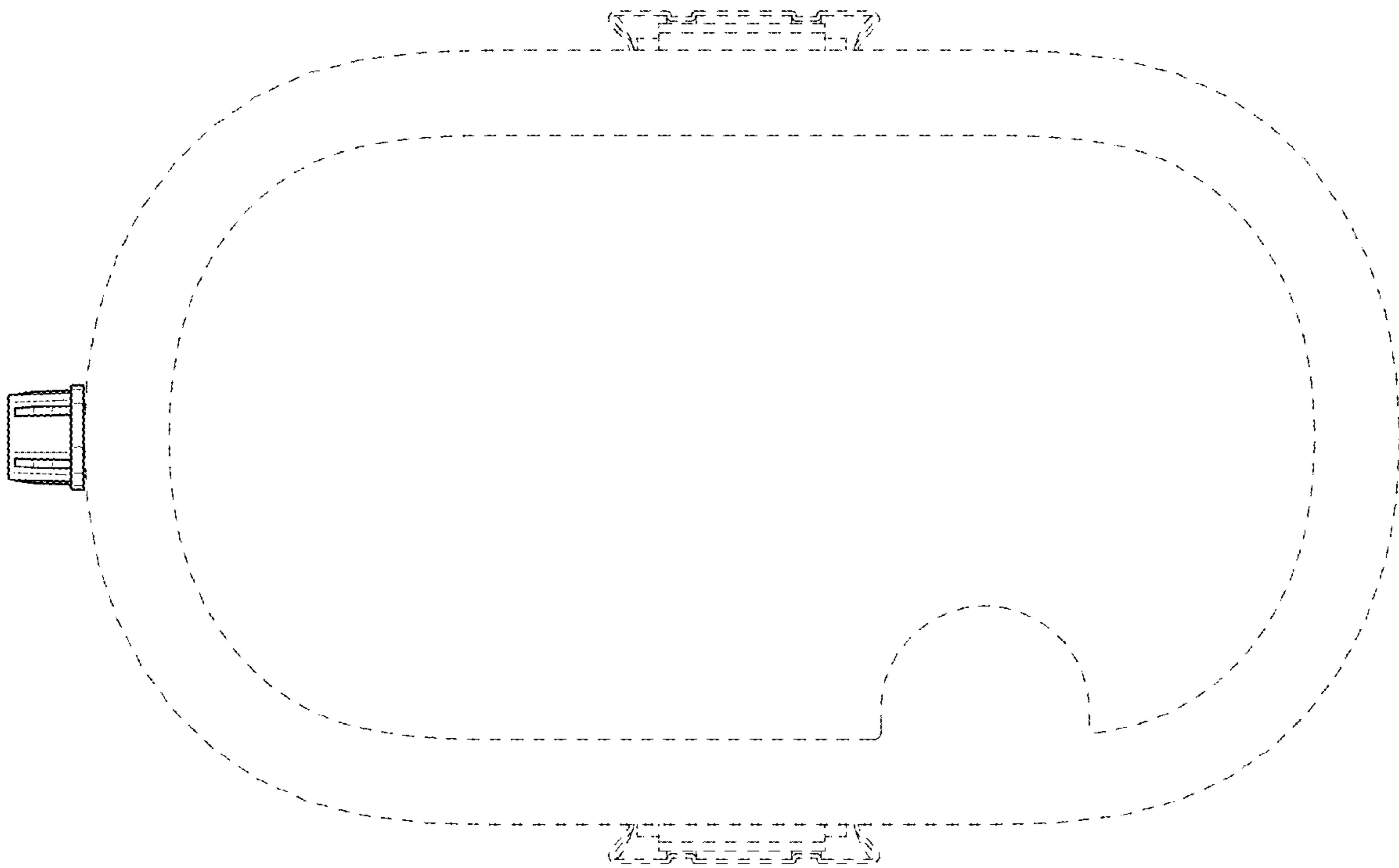


FIG. 7