



US00D965106S

(12) **United States Design Patent**
Han

(10) **Patent No.:** **US D965,106 S**
(45) **Date of Patent:** **** Sep. 27, 2022**

- (54) **SHOWER HEAD**
- (71) Applicant: **Linyi Qihong International Trade Co., Ltd., Linyi (CN)**
- (72) Inventor: **Mei Han, Linyi (CN)**
- (73) Assignee: **Linyi Qihong International Trade Co., Ltd., Linyi (CN)**
- (**) Term: **15 Years**
- (21) Appl. No.: **29/823,690**
- (22) Filed: **Jan. 19, 2022**
- (51) **LOC (13) Cl.** **23-01**
- (52) **U.S. Cl.**
USPC **D23/223**
- (58) **Field of Classification Search**
USPC D23/213, 214, 215, 223, 224, 226, 229,
D23/230
CPC A61H 9/0021; A61H 33/00; B05B 1/00;
B05B 1/14; B05B 1/185; B05B 1/08;
B05B 1/02; B05B 1/26; B05B 12/002;
B05B 1/18; B05B 9/01
See application file for complete search history.

- D937,971 S * 12/2021 Gutman D23/223
- D940,274 S 1/2022 Zhang
- D944,362 S * 2/2022 Liang D23/223
- D957,571 S * 7/2022 de Swarte D23/223

OTHER PUBLICATIONS

LASCO 1185426 Modern Hand Held Shower with Hose Three Spray, Mar. 4, 2014, amazon.ca, Aug. 10, 2022, URL: https://www.amazon.ca/dp/B00ITPKGCA/ref=sbl_dpx_ca-home-improvement-bathroom-handheld-showerheads_B09V2826C8_0 (Year: 2014).*
Ventray Electric Shower Head with Hose, Mar. 8, 2022, amazon.ca, Aug. 10, 2022, URL: <https://www.amazon.ca/dp/B09V2826C8/> (Year: 2022).*

* cited by examiner

Primary Examiner — Keith J Wilson
(74) *Attorney, Agent, or Firm* — Georgi Korobanov

(57) **CLAIM**

The ornamental design for a shower head, as shown and described.

DESCRIPTION

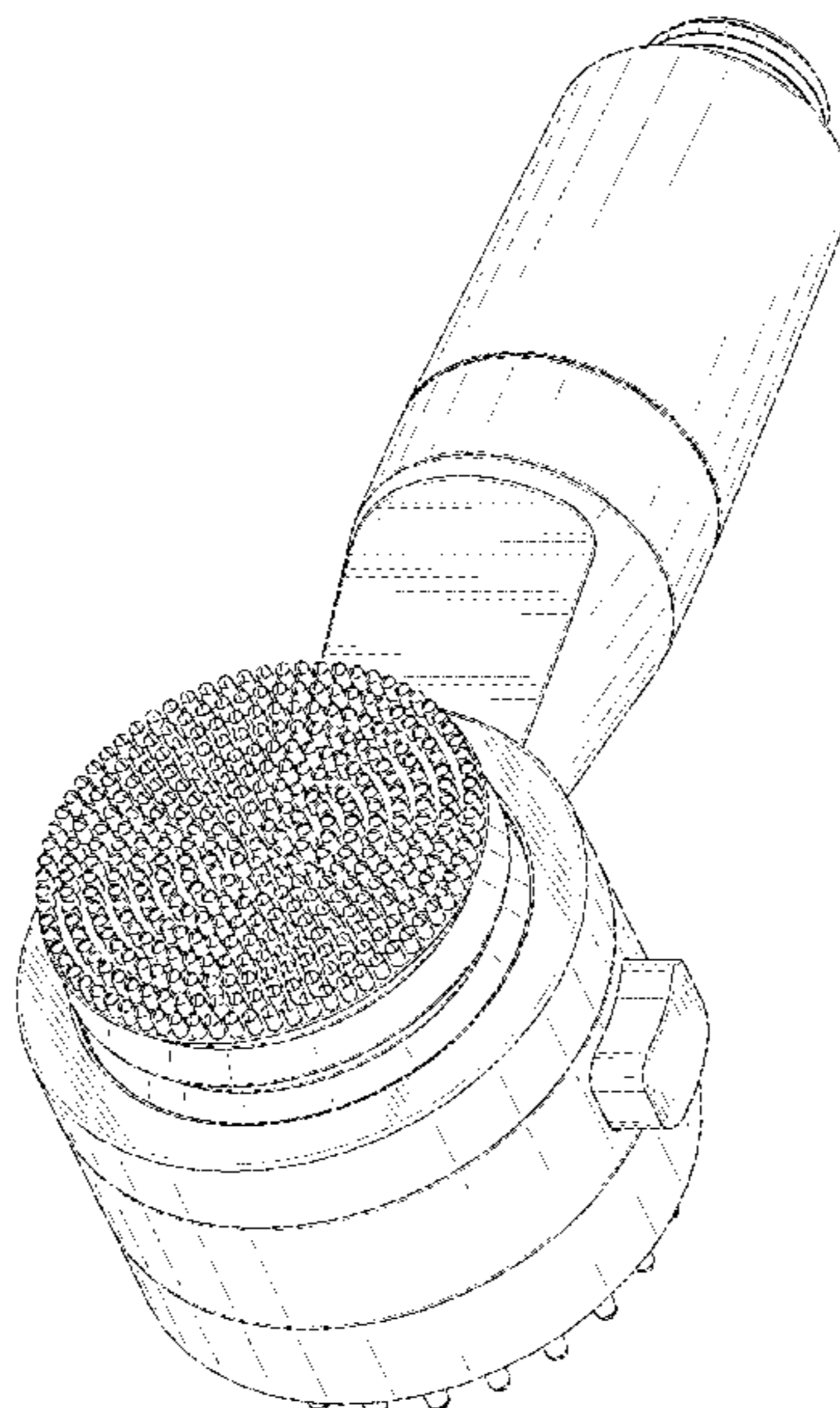
FIG. 1 is a perspective view of a shower head, showing my new design;
FIG. 2 is another perspective view thereof;
FIG. 3 is a front view thereof;
FIG. 4 is a rear view thereof;
FIG. 5 is a left side view thereof;
FIG. 6 is a right side view thereof;
FIG. 7 is a top plan view thereof; and,
FIG. 8 is a bottom plan view thereof.
The broken line showing of the shower head is for the purpose of illustrating article and forms no part of the claimed design.

1 Claim, 8 Drawing Sheets

(56) **References Cited**

U.S. PATENT DOCUMENTS

- D518,145 S * 3/2006 Nikles D23/223
- D619,210 S * 7/2010 Jian D23/223
- D620,077 S * 7/2010 Lee D23/223
- D648,435 S * 11/2011 Brodbeck D24/146
- D721,420 S * 1/2015 Hawkins D23/223
- D753,266 S 4/2016 Norton
- 9,730,758 B2 * 8/2017 Carlucci A61H 23/02
- D820,954 S * 6/2018 Lee D23/223
- D843,732 S * 3/2019 Kling D4/127
- D855,760 S * 8/2019 Lee D23/223
- D898,867 S 10/2020 Yan
- D909,762 S * 2/2021 He D4/127
- D930,116 S 9/2021 Sanghun et al.



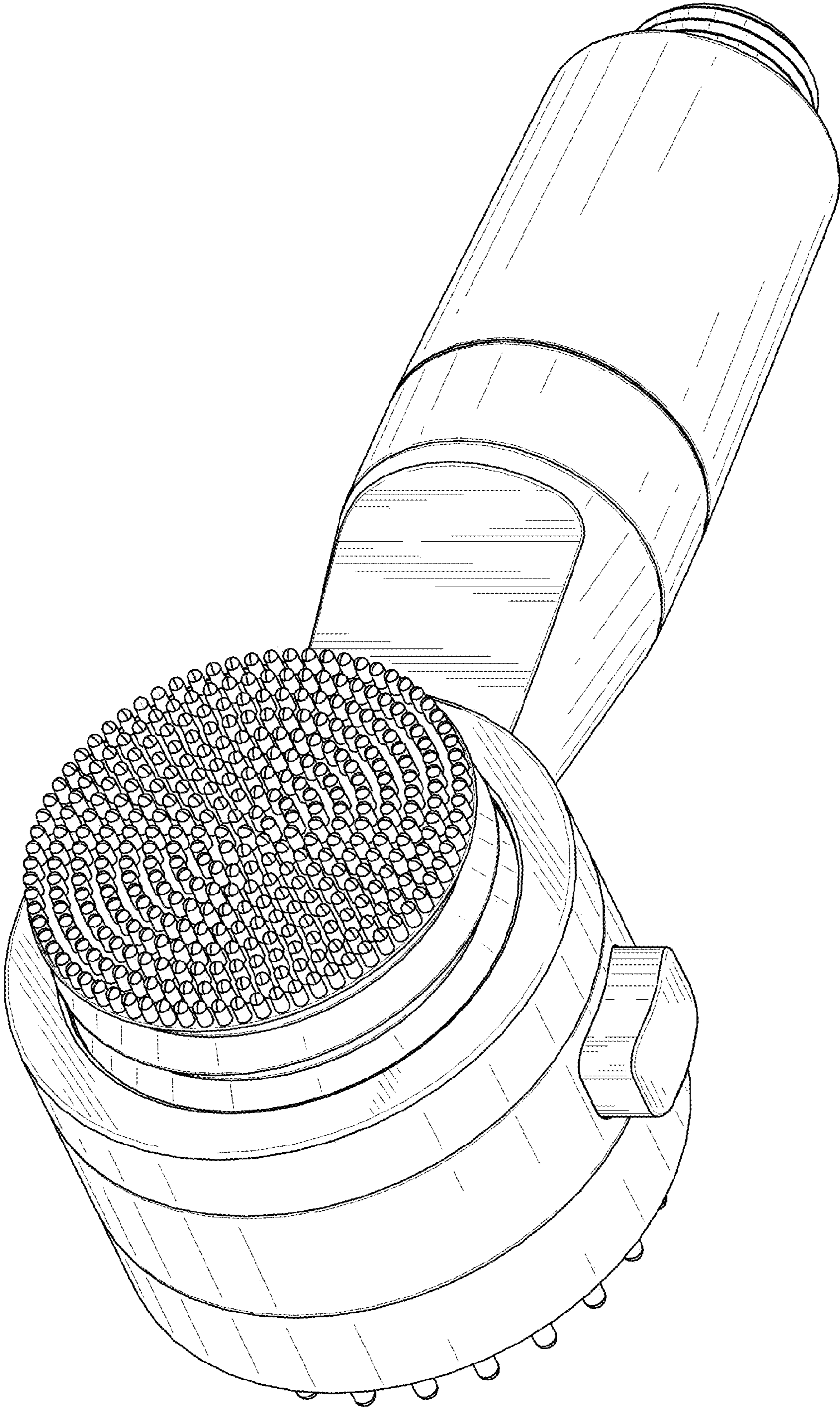


FIG. 1

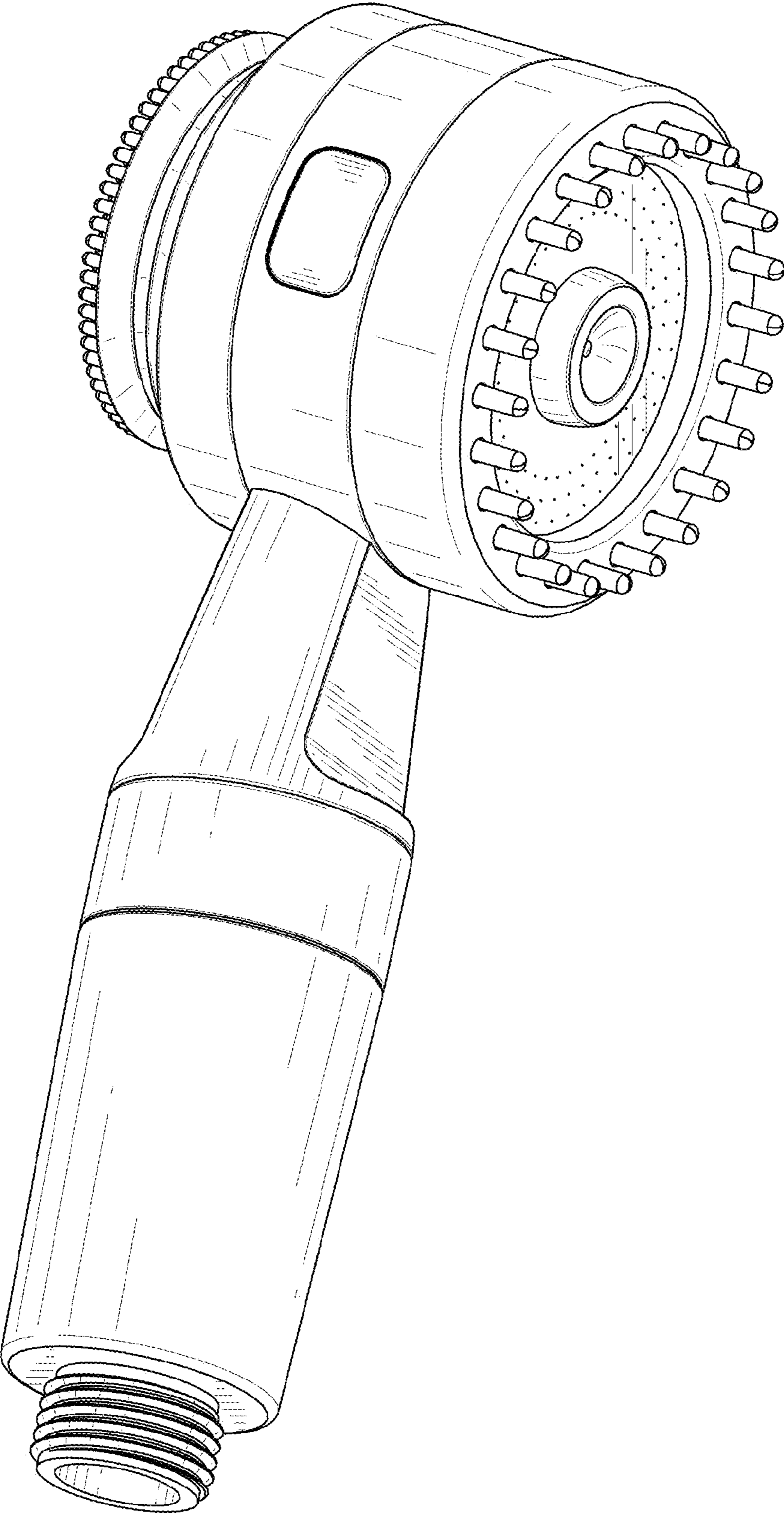


FIG. 2

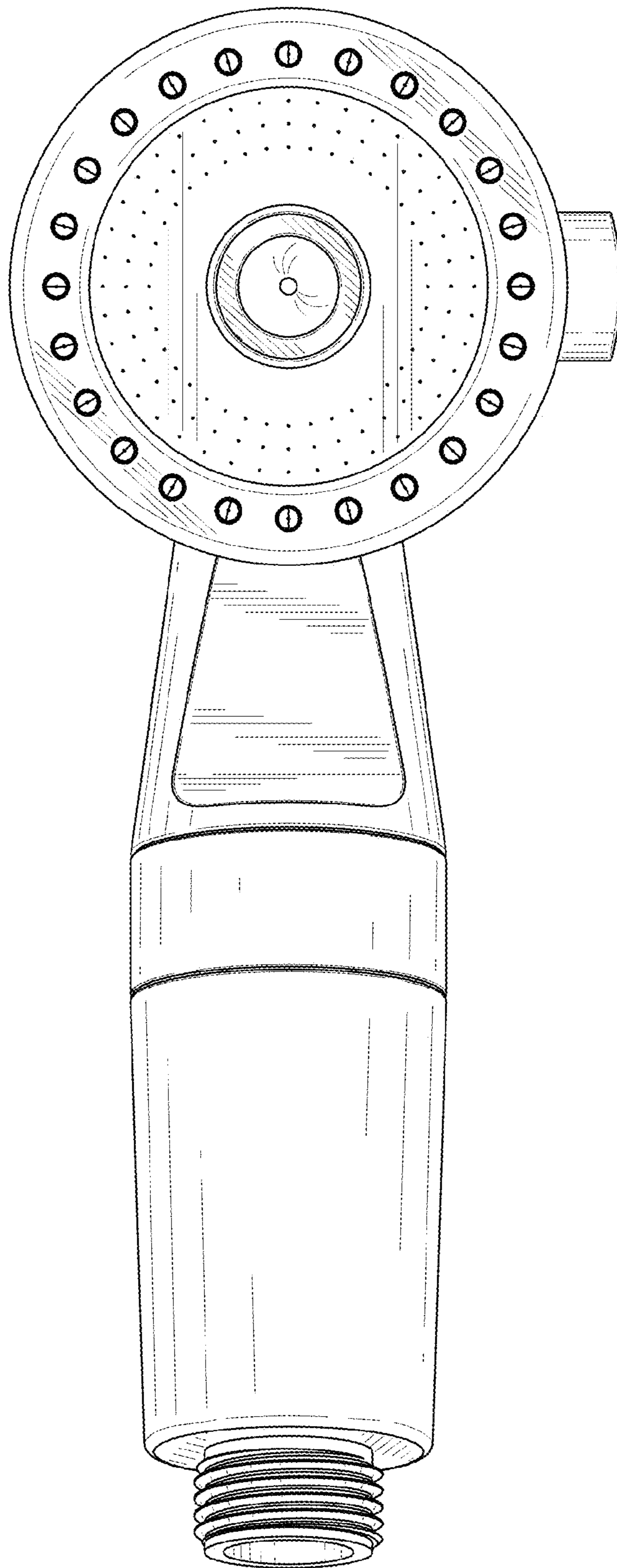


FIG. 3

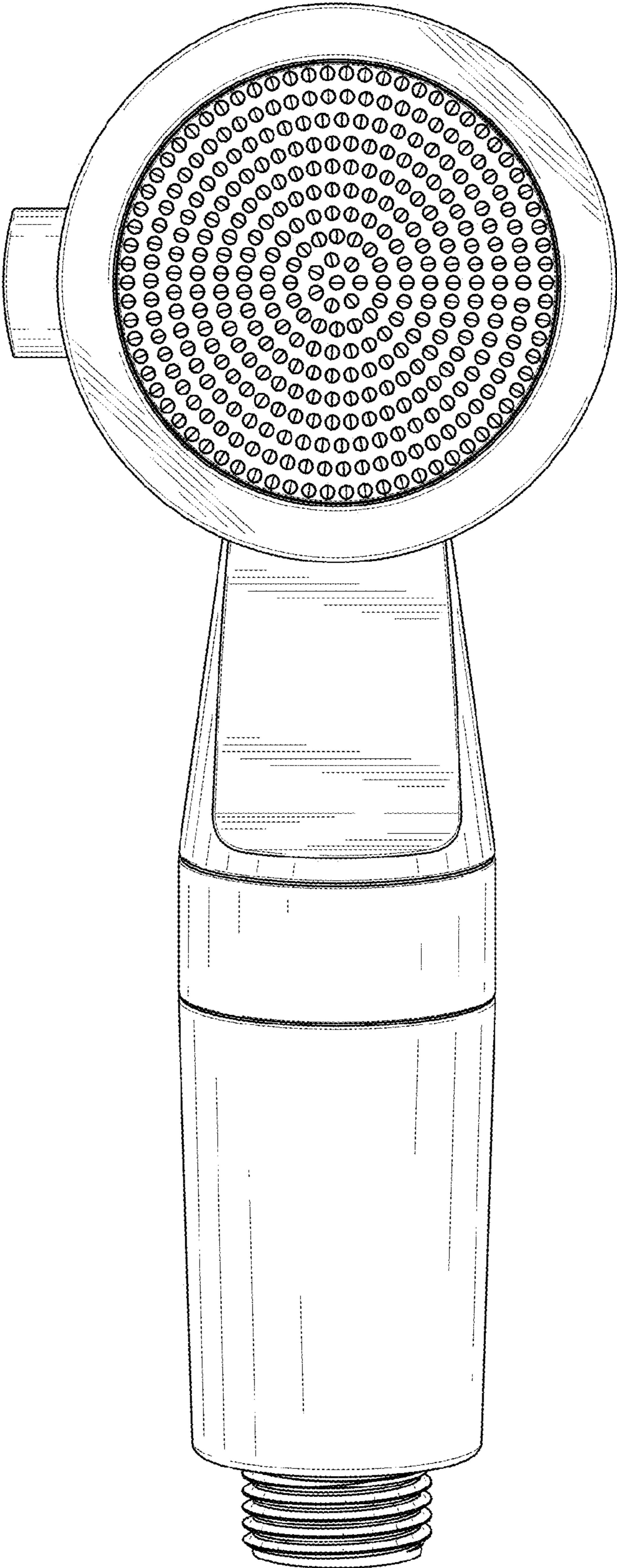


FIG. 4

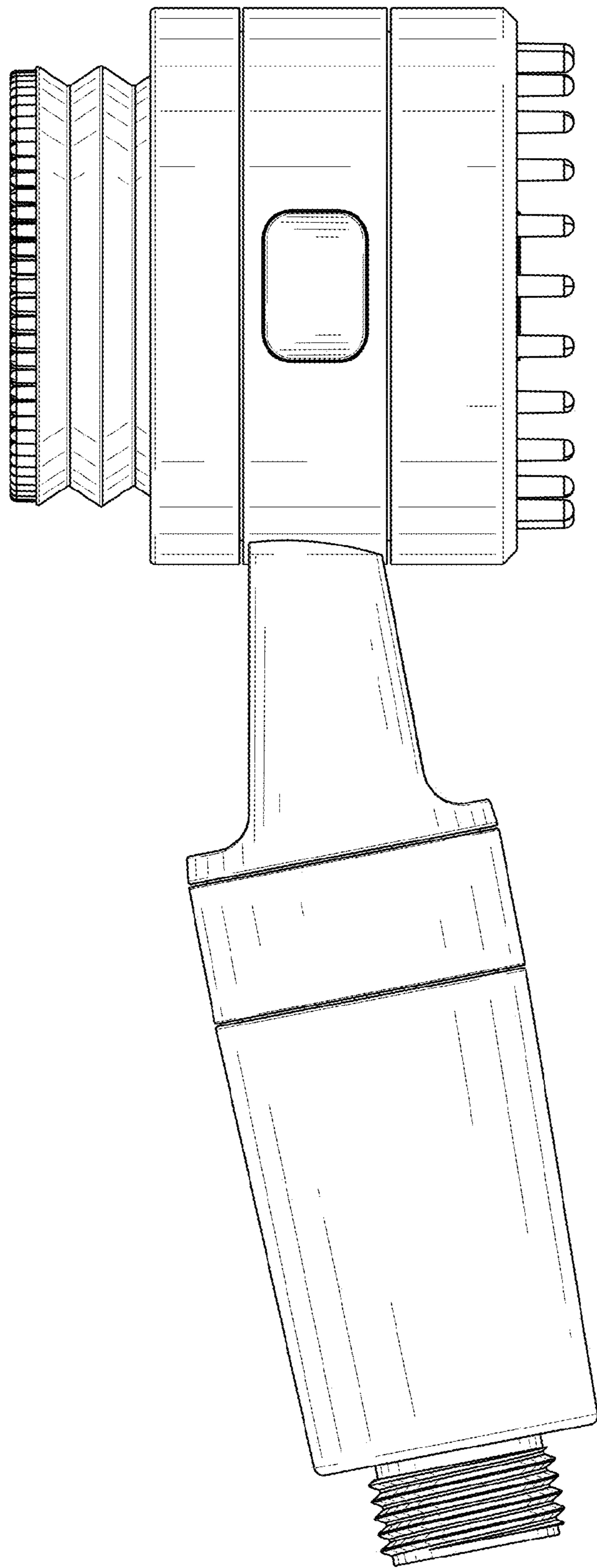


FIG. 5

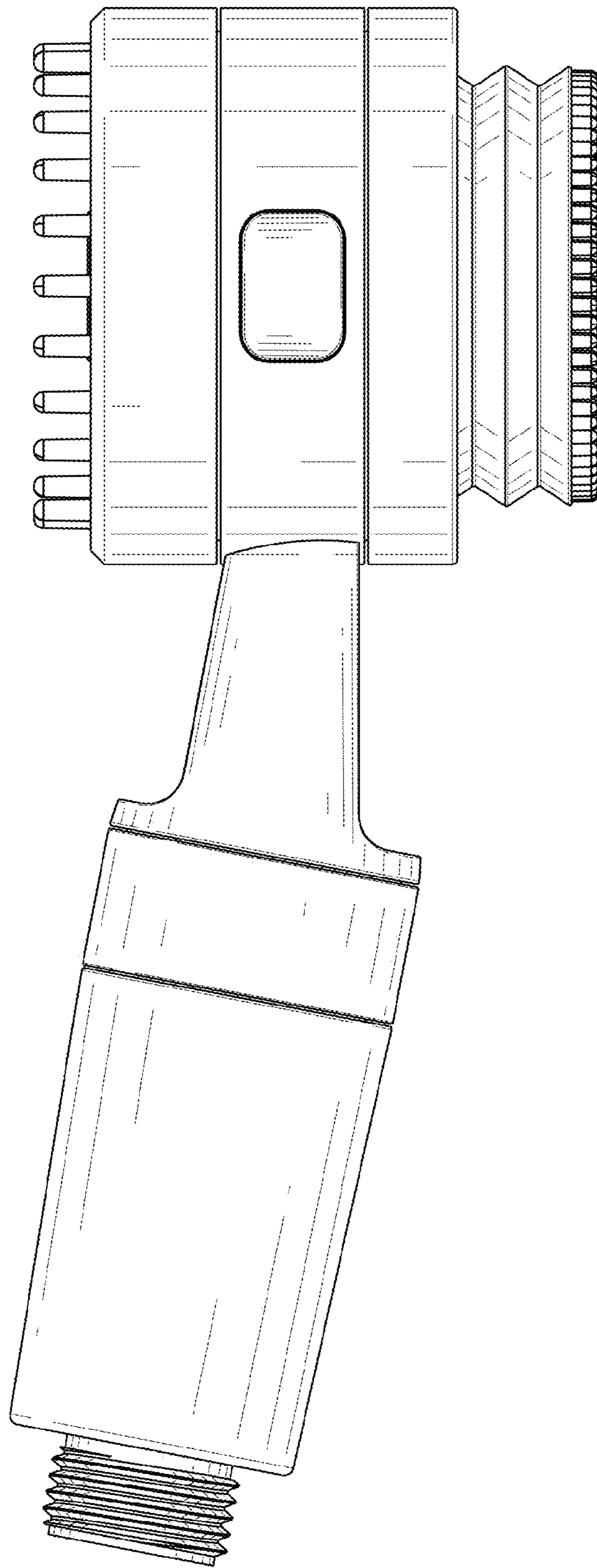


FIG. 6

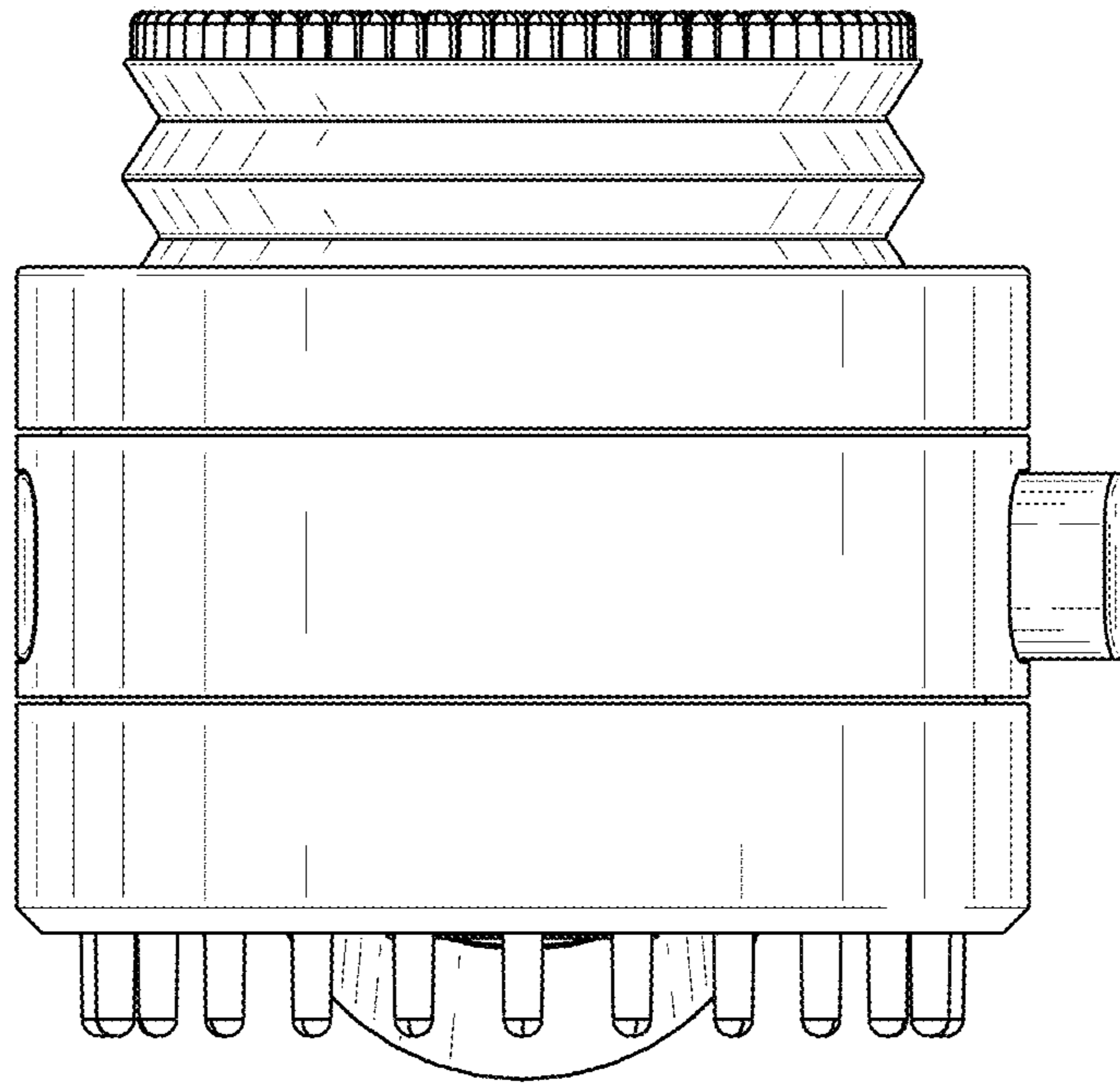


FIG. 7

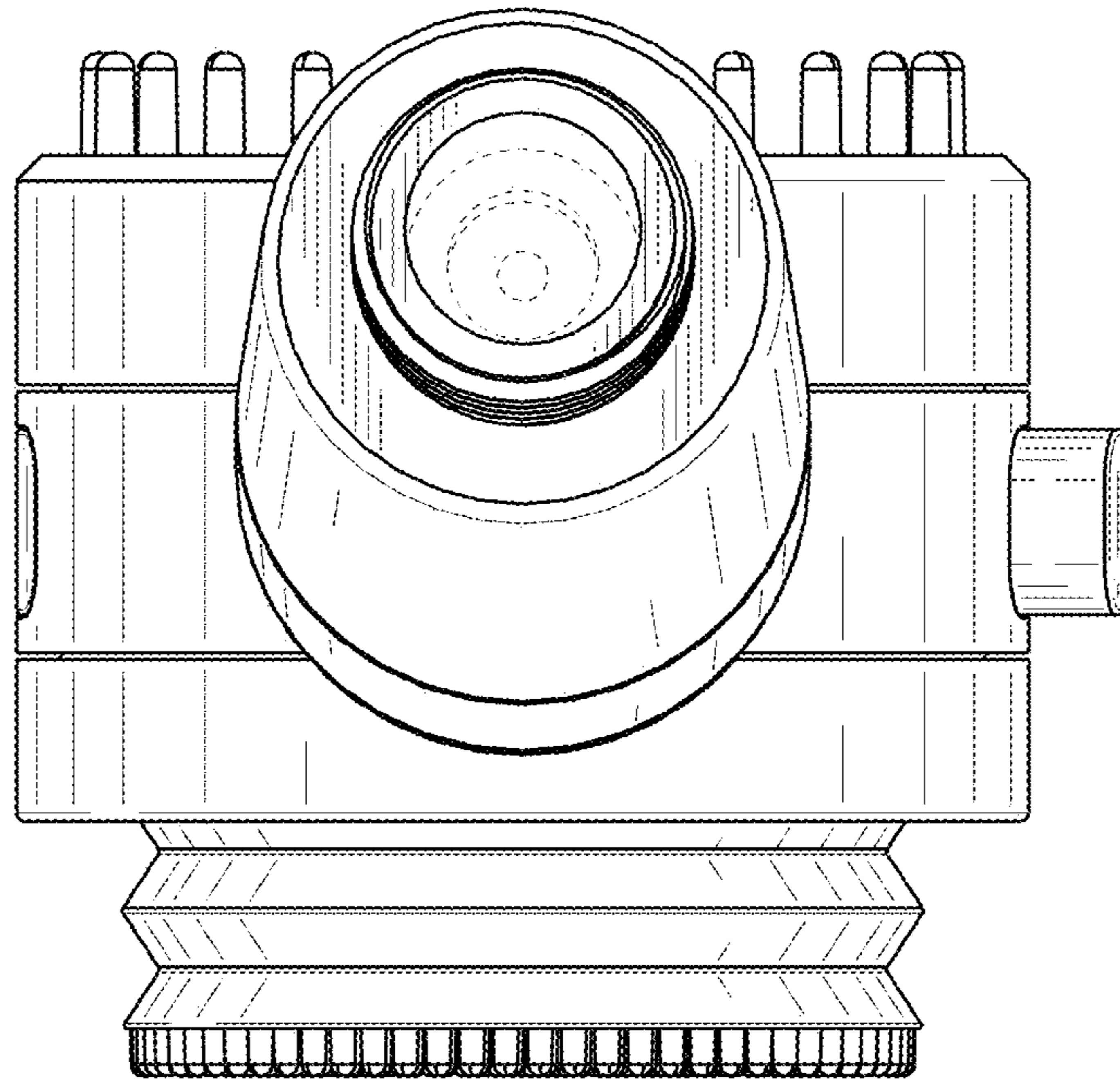


FIG. 8