



US00D965105S

(12) **United States Design Patent** (10) **Patent No.:** **US D965,105 S**
Yan (45) **Date of Patent:** **** Sep. 27, 2022**

(54) **SHOWER HEAD**

(71) Applicant: **Xiamen Galenpoo Kitchen & Bathroom Technology Co., Ltd.,**
Xiamen (CN)

(72) Inventor: **Xiaoling Yan, Xiamen (CN)**

(**) Term: **15 Years**

(21) Appl. No.: **29/818,466**

(22) Filed: **Dec. 9, 2021**

(51) **LOC (13) Cl.** **23-01**

(52) **U.S. Cl.**
USPC **D23/223**

(58) **Field of Classification Search**
USPC D23/213, 214, 215, 223, 224, 226, 229,
D23/230

CPC A61H 9/0021; A61H 33/00; B05B 1/00;
B05B 1/14; B05B 1/185; B05B 1/08;
B05B 1/02; B05B 1/26; B05B 12/002;
B05B 1/18; B05B 9/01

See application file for complete search history.

(56) **References Cited**

U.S. PATENT DOCUMENTS

D575,372 S *	8/2008	Mullenmeister	D23/223
D617,873 S *	6/2010	Lee	D23/229
D617,874 S *	6/2010	Lee	D23/229
D631,133 S *	1/2011	Yoo	D23/223
D634,810 S *	3/2011	Yoo	D23/213
D667,531 S *	9/2012	Romero	D23/223
D667,928 S *	9/2012	Cutler	D23/223
D670,358 S *	11/2012	Bai	D23/223
D672,011 S *	12/2012	Andrew	D23/223
D672,433 S *	12/2012	Yoo	D23/223
D681,776 S *	5/2013	Cutler	D23/223
D900,963 S *	11/2020	Wu	D23/223
D901,630 S *	11/2020	Wu	D23/213
D907,743 S *	1/2021	Wu	D23/213

D919,747 S *	5/2021	Lin	D23/223
D930,790 S *	9/2021	Yan	D23/223
D931,411 S *	9/2021	Yan	D23/213
D935,556 S *	11/2021	Yan	D23/213
D935,559 S *	11/2021	He	D23/226
D936,178 S *	11/2021	Lin	D23/213

OTHER PUBLICATIONS

Shower Head, Sr Sun Rise 6-Settings 4.8" High Pressure Handheld, Jan. 13, 2017, amazon.ca, Jul. 15, 2022, URL: <https://www.amazon.ca/SR-SUN-RISE-6-Settings-Pressure/dp/B07FKHCGK1/> (Year: 2017).*

(Continued)

Primary Examiner — Keith J Wilson

(57) **CLAIM**

The ornamental design for a shower head, as shown and described.

DESCRIPTION

FIG. 1 is a front and top perspective view of a shower head, showing my new design;

FIG. 2 is a rear and bottom perspective view thereof;

FIG. 3 is a front elevation view thereof;

FIG. 4 is a rear elevation view thereof;

FIG. 5 is a left side elevation view thereof;

FIG. 6 is a right side elevation view thereof;

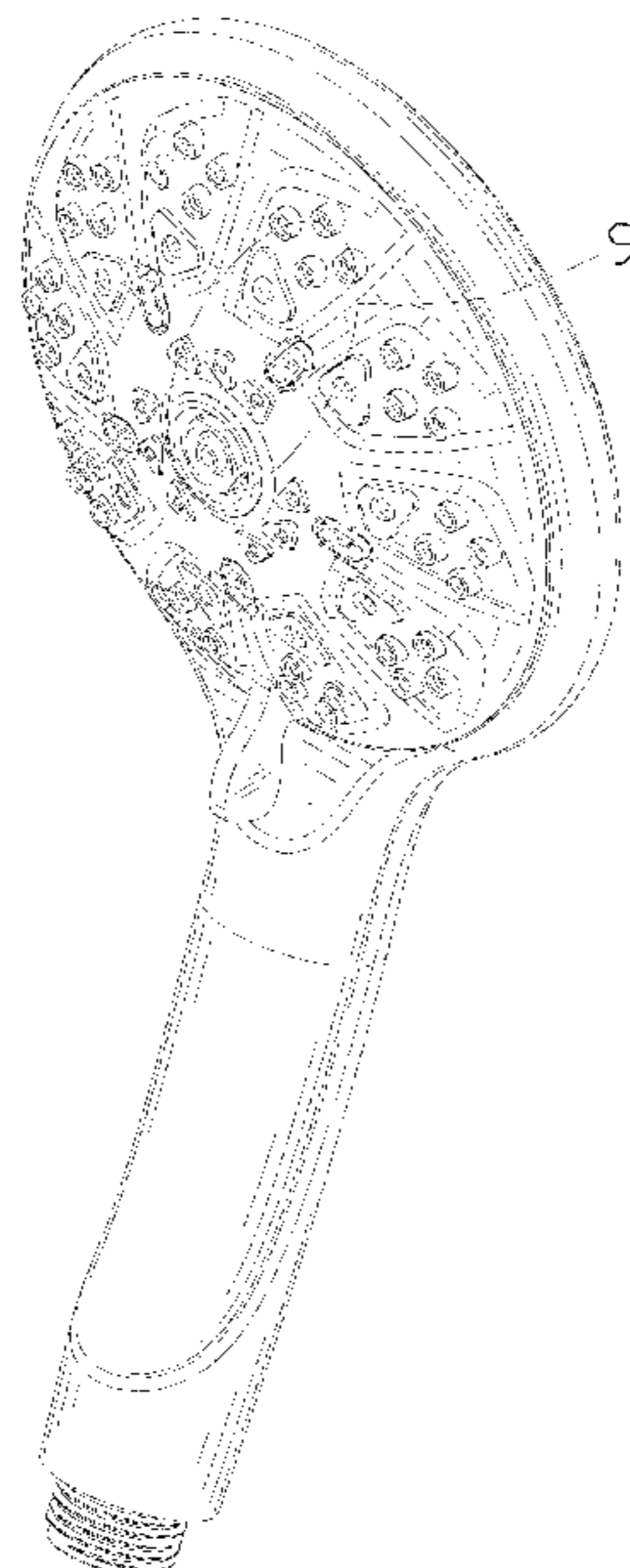
FIG. 7 is a top plan view thereof;

FIG. 8 is a bottom plan view thereof; and,

FIG. 9 is an enlarged view of a portion indicated with numeric 9 in FIG. 1.

The broken lines in the figures illustrate portions of the shower head that form, no part of the claimed design. The dash dot dash lines in FIGS. 1 and 9 are for the purpose of depicting the boundary lines of the enlarged view and form no part of the claimed design.

1 Claim, 9 Drawing Sheets



(56)

References Cited

OTHER PUBLICATIONS

QLFJ-FurDec 7 Settings Shower Head, Nov. 2, 2021, amazon.ca, Jul. 15, 2022, URL: <https://www.amazon.ca/QLFJ-FurDec-Settings-Pressure-Handheld-Showerhead/dp/B09KTX5Z6V/> (Year: 2021).*

AquaSpa High Pressure 6-setting Luxury Handheld Shower, Sep. 17, 2019, amazon.ca, Jul. 15, 2022, URL: https://www.amazon.ca/dp/B07XSBWCFJ/ref=sbl_dp_ca-home-improvement-bathroom-handheld-showerheads_B088R3D455_0 (Year: 2019).*

Shower Head, 6-Settings Handheld Shower Head, Jul. 16, 2021, amazon.ca, Jul. 19, 2022, URL: <https://www.amazon.ca/6-Settings-Detachable-Adjustable-Showerheads-Accessories/dp/B099N7H4QQ/> (Year: 2021).*

Apaix Handheld Shower Head, May 31, 2021, amazon.ca, Jul. 20, 2022, URL: <https://www.amazon.ca/dp/B093QFMQ7H/> (Year: 2021).*

* cited by examiner

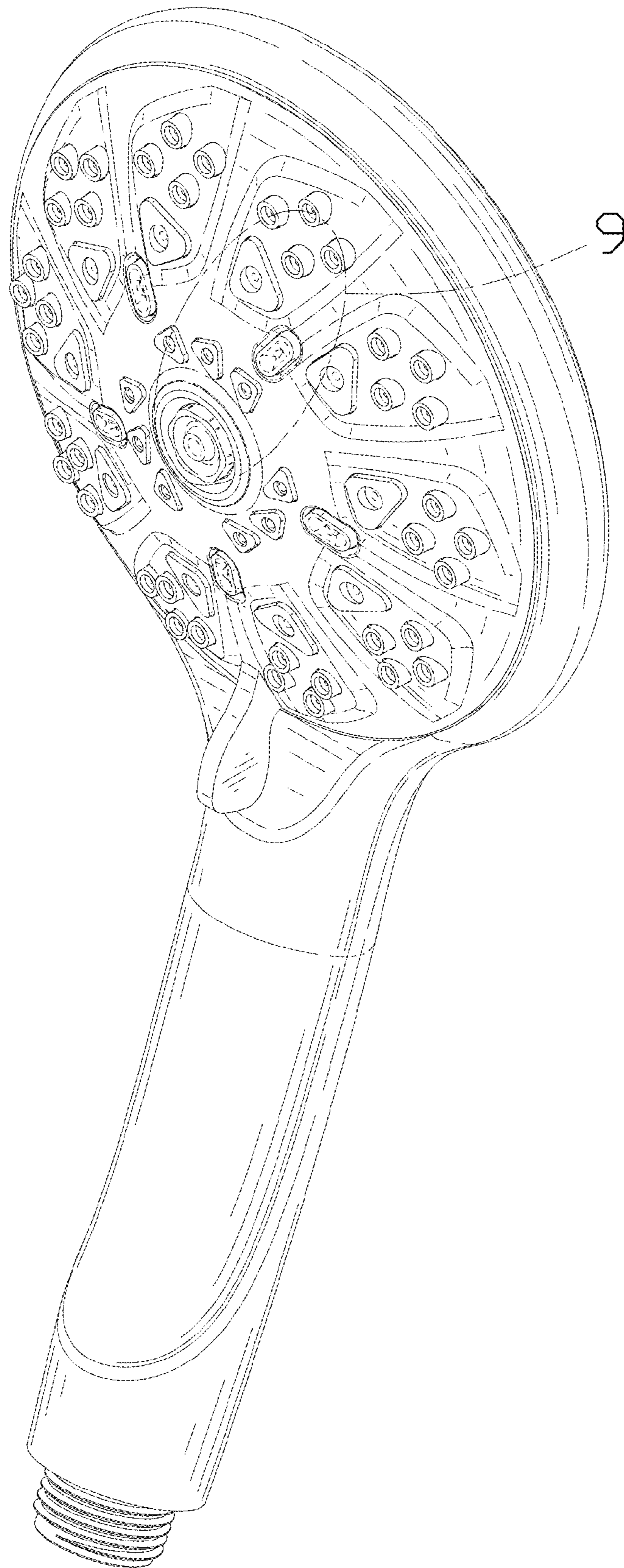


FIG. 1

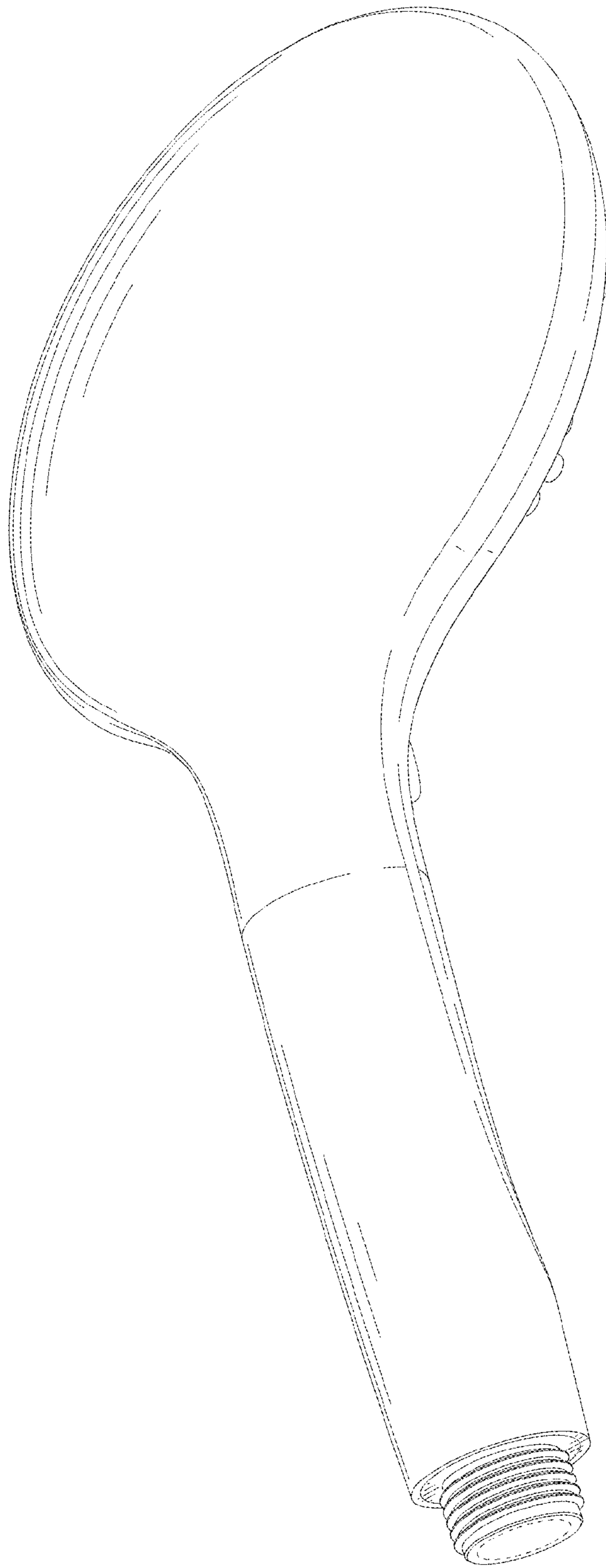


FIG. 2

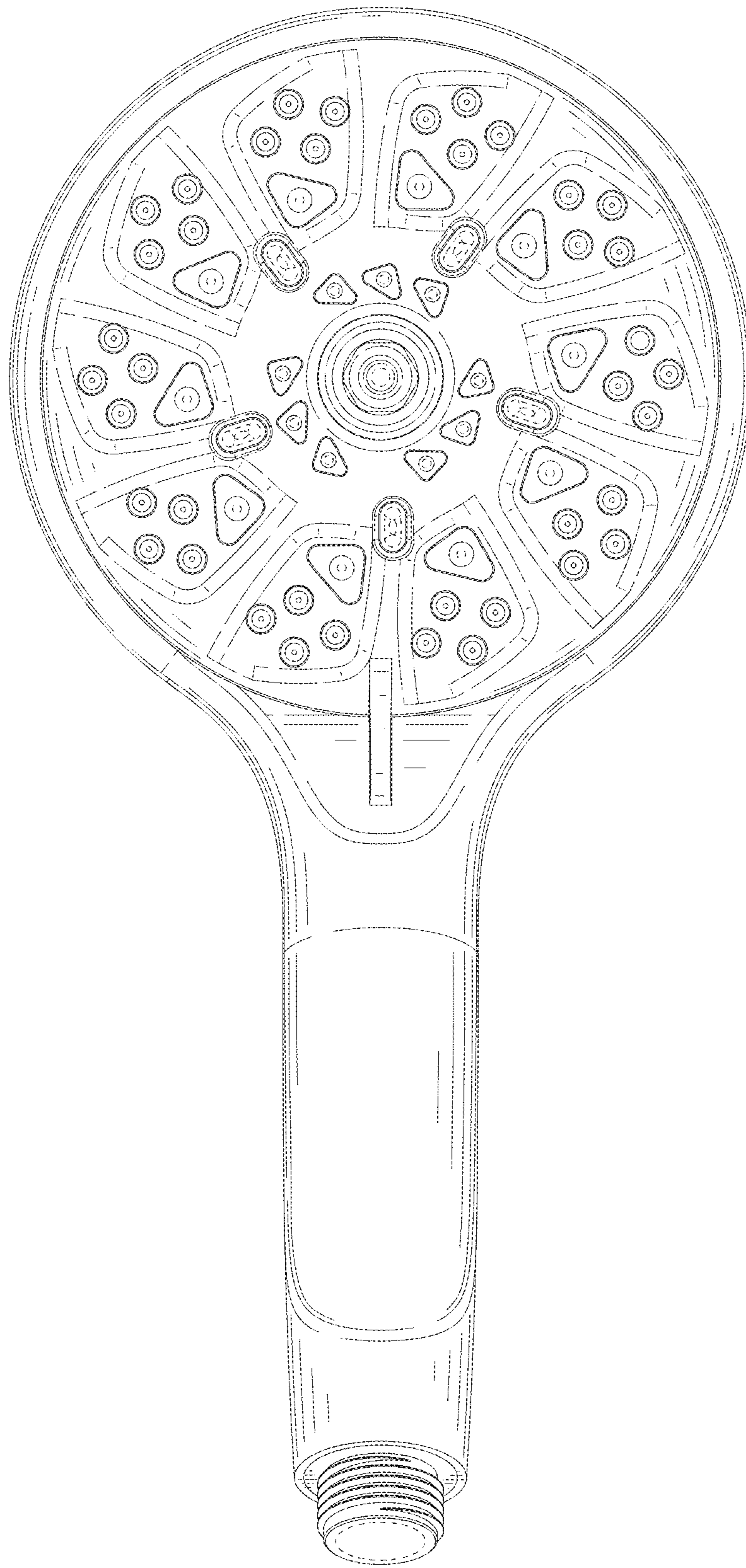


FIG. 3

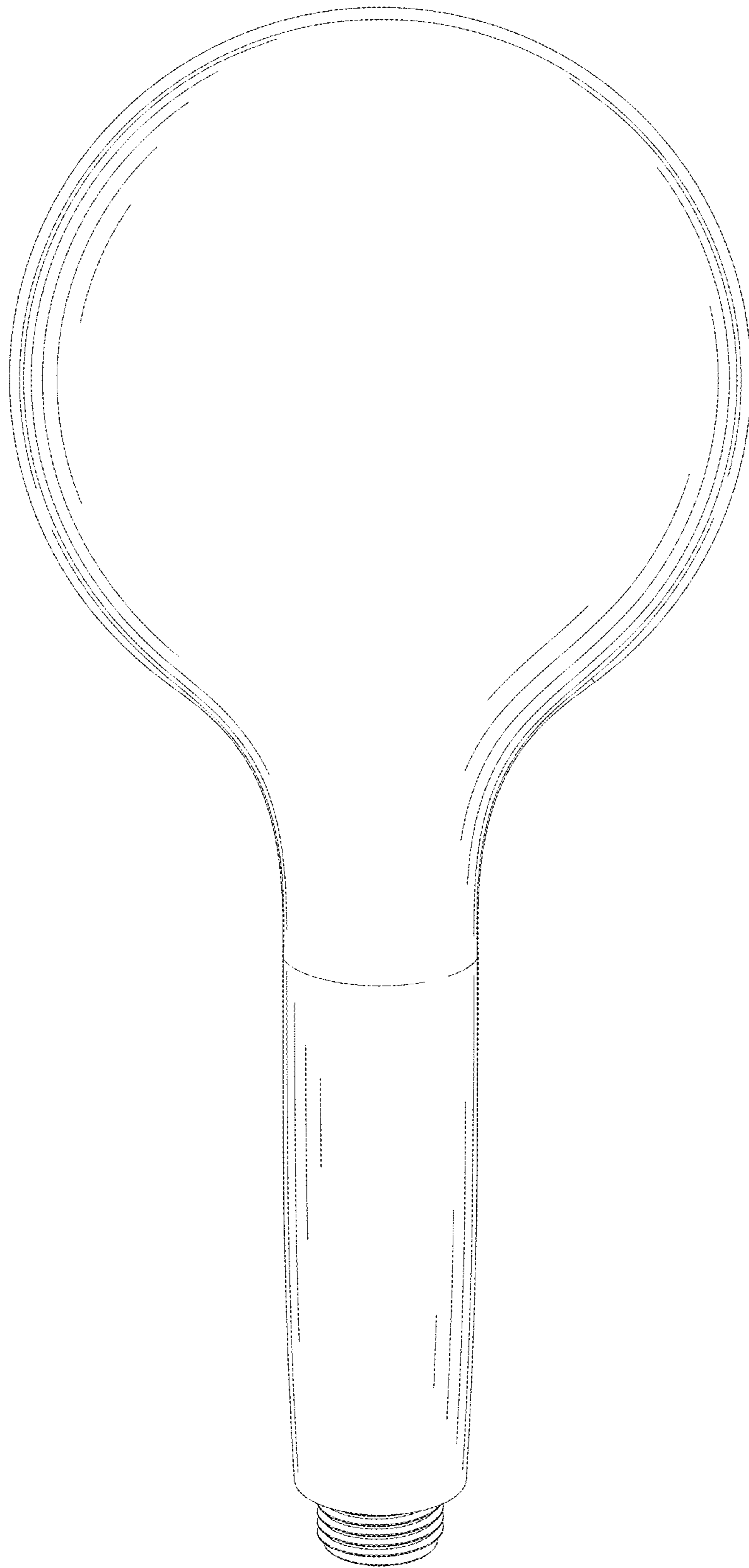


FIG. 4

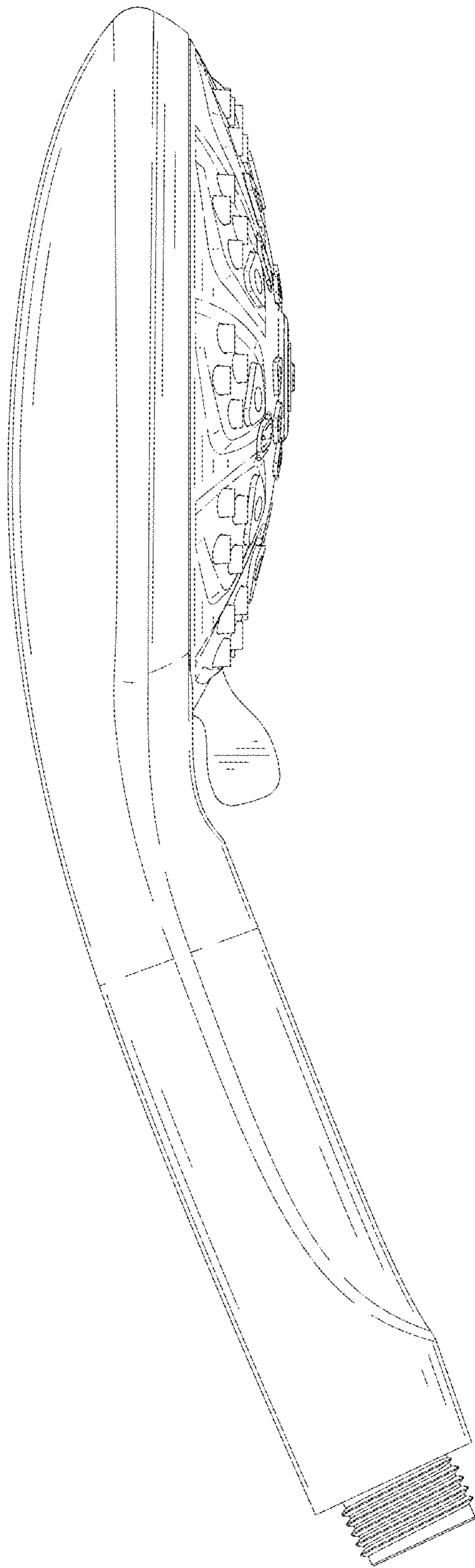


FIG. 5

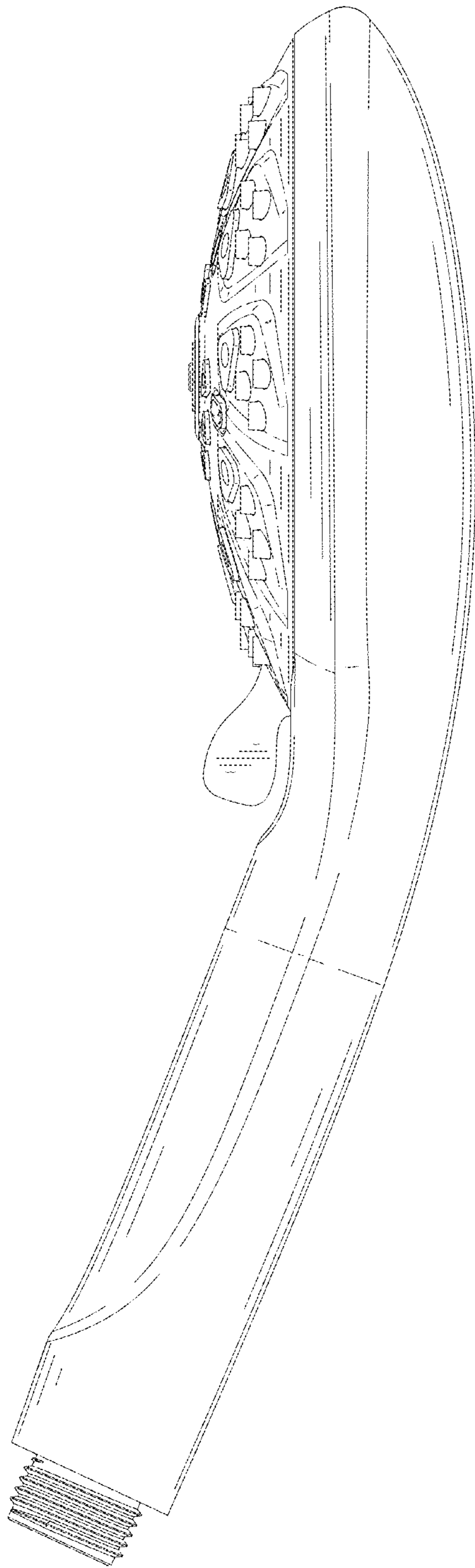


FIG. 6

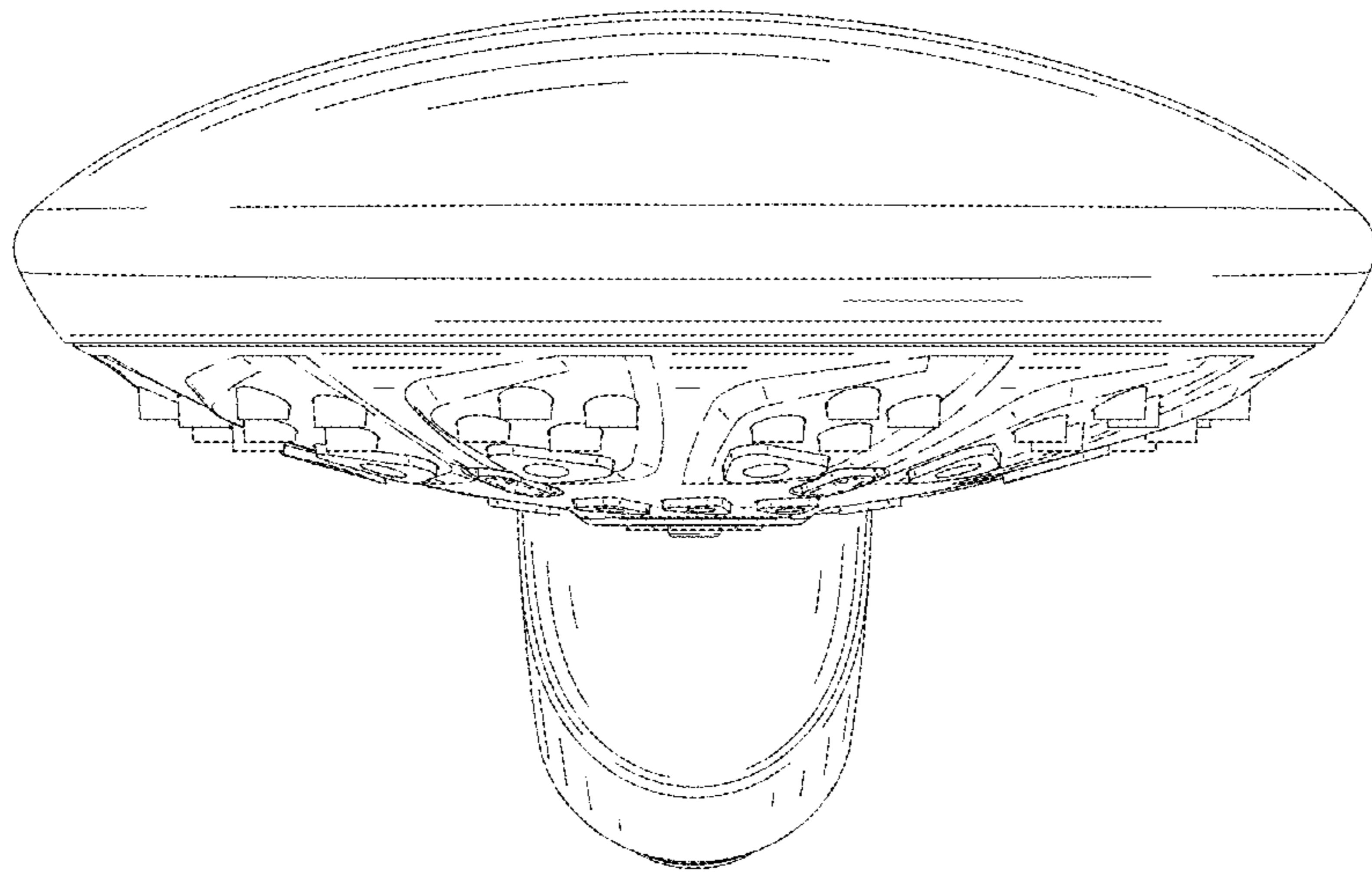


FIG. 7

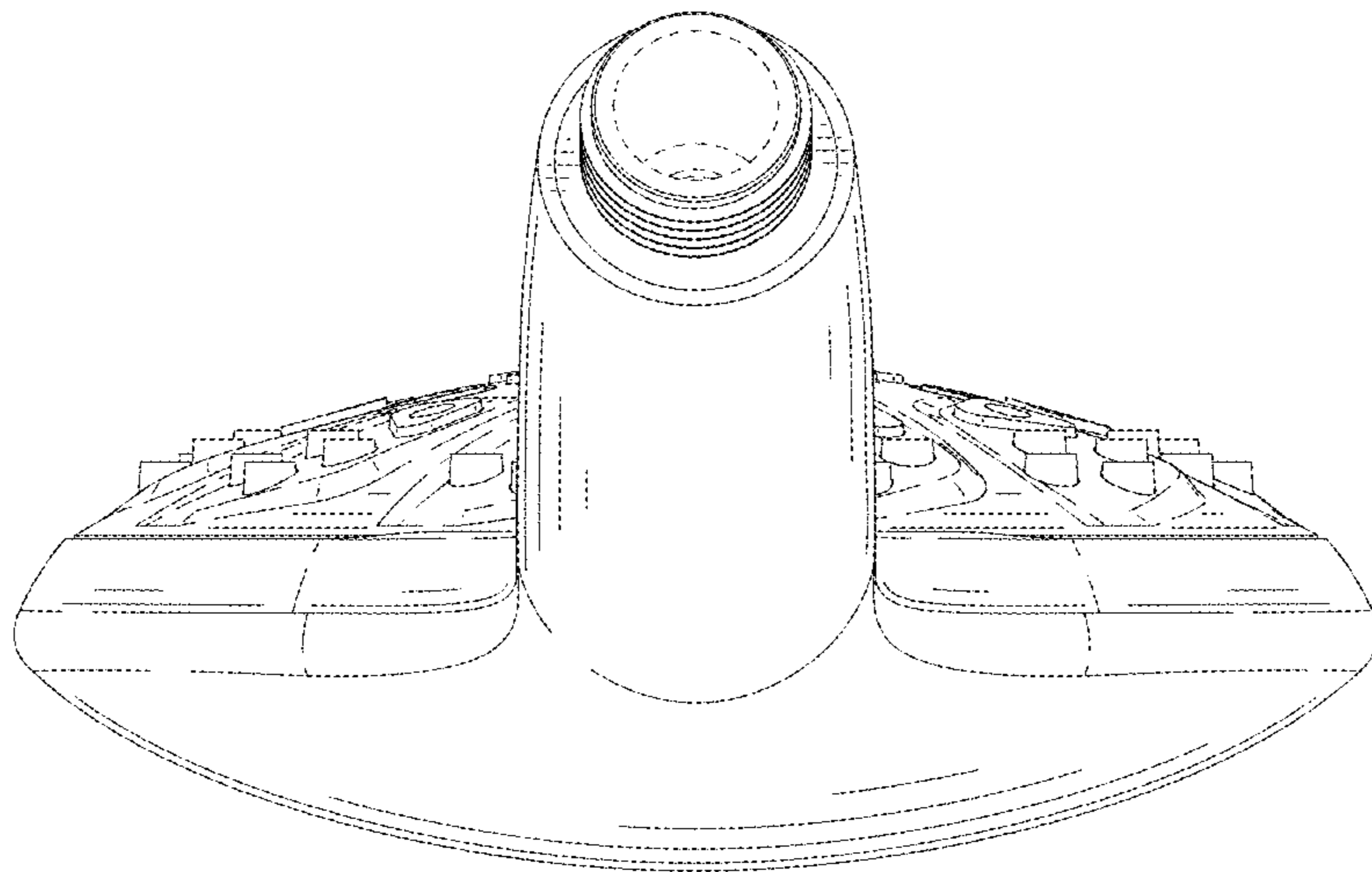


FIG. 8

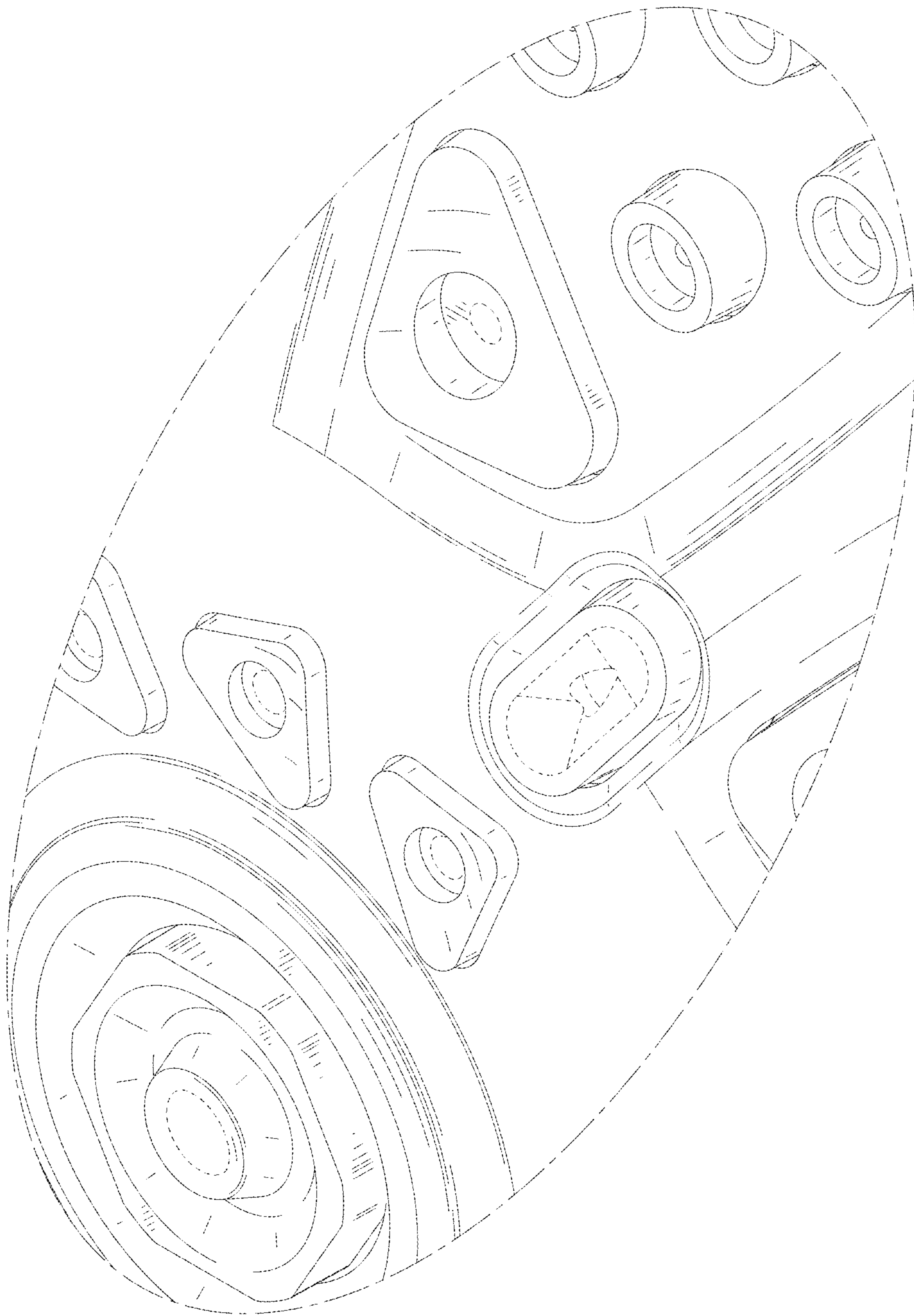


FIG. 9