



US00D965104S

(12) **United States Design Patent** (10) **Patent No.:** **US D965,104 S**
Yan (45) **Date of Patent:** **** Sep. 27, 2022**

(54) **SHOWER HEAD** D930,790 S * 9/2021 Yan D23/223
D931,411 S * 9/2021 Yan D23/213
(71) Applicant: **Xiamen Galenpoo Kitchen & Bathroom Technology Co., Ltd.,** D935,556 S * 11/2021 Yan D23/213
Xiamen (CN) D935,559 S * 11/2021 He D23/226
D936,178 S * 11/2021 Lin D23/213

(72) Inventor: **Xiaoling Yan, Xiamen (CN)**
(**) Term: **15 Years**

(21) Appl. No.: **29/818,297**

(22) Filed: **Dec. 8, 2021**

(51) **LOC (13) Cl.** **23-01**

(52) **U.S. Cl.**
USPC **D23/223**

(58) **Field of Classification Search**
USPC D23/213, 214, 215, 223, 224, 226, 229,
D23/230
CPC A61H 9/0021; A61H 33/00; B05B 1/00;
B05B 1/14; B05B 1/185; B05B 1/08;
B05B 1/02; B05B 1/26; B05B 12/002;
B05B 1/18; B05B 9/01
See application file for complete search history.

(56) **References Cited**

U.S. PATENT DOCUMENTS

D575,372 S * 8/2008 Mullenmeister D23/223
D617,873 S * 6/2010 Lee D23/229
D617,874 S * 6/2010 Lee D23/229
D631,133 S * 1/2011 Yoo D23/223
D634,810 S * 3/2011 Yoo D23/213
D667,531 S * 9/2012 Romero D23/223
D667,928 S * 9/2012 Cutler D23/223
D670,358 S * 11/2012 Bai D23/223
D672,011 S * 12/2012 Andrew D23/223
D672,433 S * 12/2012 Yoo D23/223
D681,776 S * 5/2013 Cutler D23/223
D900,963 S * 11/2020 Wu D23/223
D901,630 S * 11/2020 Wu D23/213
D907,743 S * 1/2021 Wu D23/213
D919,747 S * 5/2021 Lin D23/223

OTHER PUBLICATIONS

Shower Head, SR Sun Rise 6-Settings 4.8" High Pressure Handheld, Jan. 13, 2017, amazon.ca, Jul. 15, 2022, URL: <https://www.amazon.ca/SR-SUN-RISE-6-Settings-Pressure/dp/B07FKHCGK1/> (Year: 2017).*
QLFJ-FurDec 7 Settings Shower Head, Nov. 2, 2021, amazon.ca, Jul. 15, 2022, URL: <https://www.amazon.ca/QLFJ-FurDec-Settings-Pressure-Handheld-Showerhead/dp/B09KTX5Z6V/> (Year: 2021).*
AquaSpa High Pressure 6-setting Luxury Handheld Shower, Sep. 17, 2019, amazon.ca, Jul. 15, 2022, URL: https://www.amazon.ca/dp/B07XSBWCFJ/ref=sbl_dp_ca-home-improvement-bathroom-handheld-showerheads_B088R3D455_0 (Year: 2019).*

* cited by examiner

Primary Examiner — Keith J Wilson

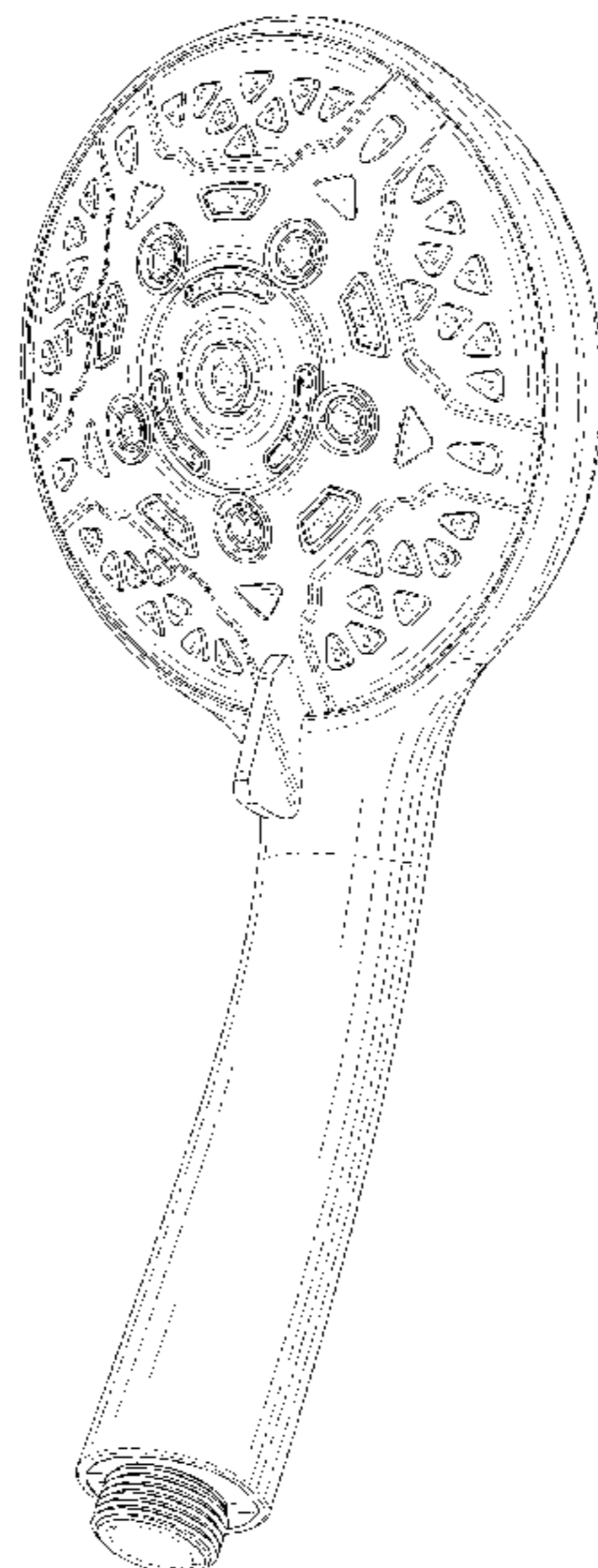
(57) **CLAIM**

The ornamental design for a shower head, as shown and described.

DESCRIPTION

FIG. 1 is a front and top perspective view of a shower head, showing my new design;
FIG. 2 is a rear and bottom perspective view thereof;
FIG. 3 is a front elevation view thereof;
FIG. 4 is a rear elevation view thereof;
FIG. 5 is a left side elevation view thereof;
FIG. 6 is a right side elevation view thereof;
FIG. 7 is a top plan view thereof; and,
FIG. 8 is a bottom plan view thereof.
The broken lines in the figures illustrate portions of the shower head that form no part of the claimed design.

1 Claim, 8 Drawing Sheets



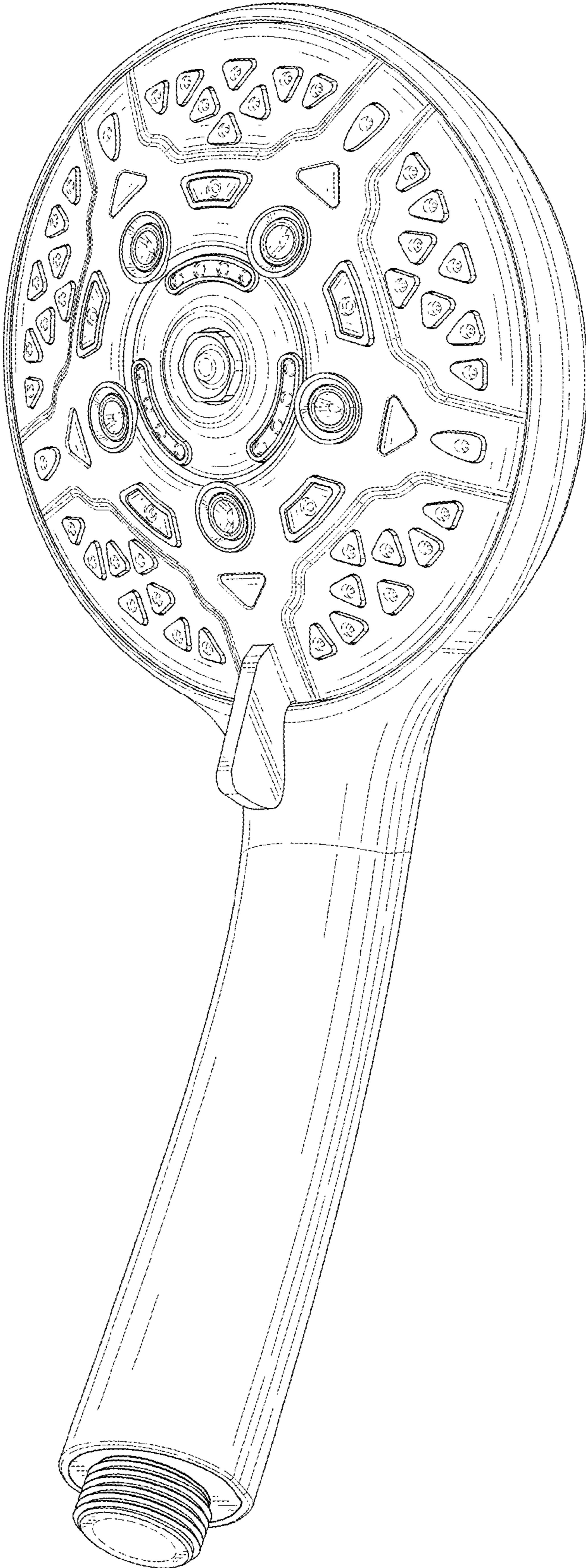


FIG. 1

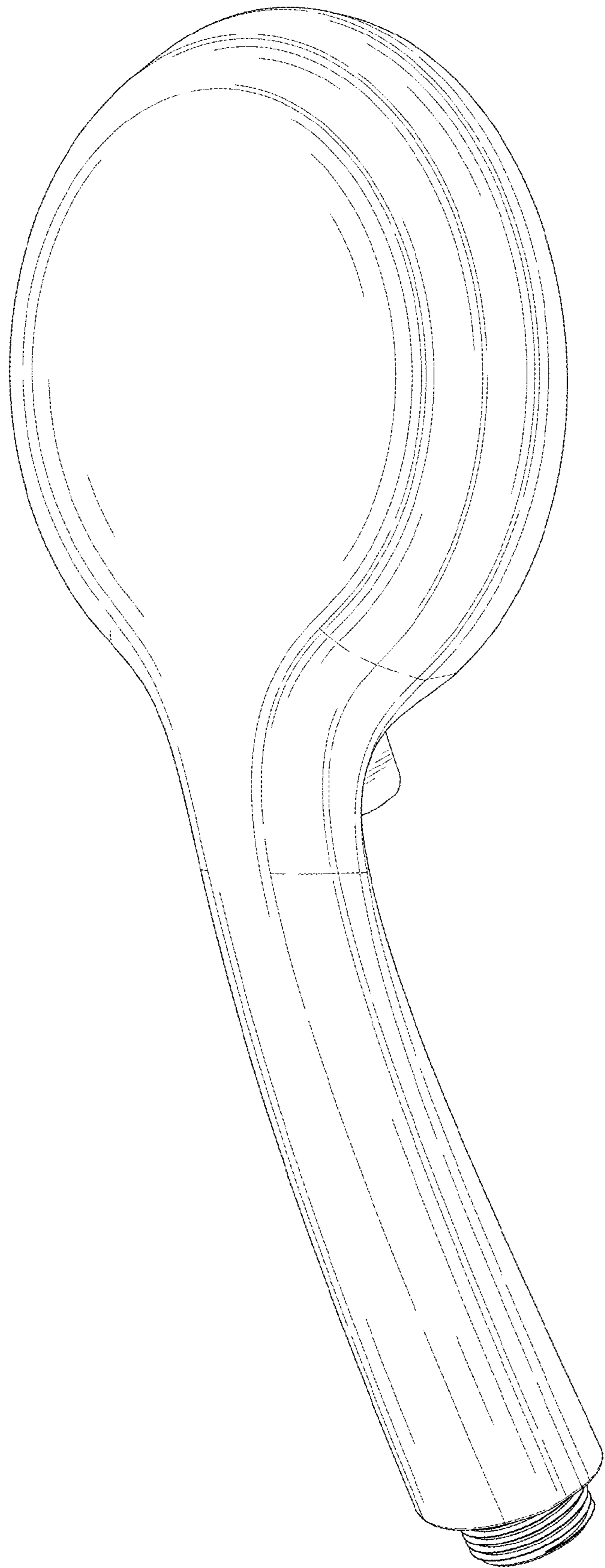


FIG. 2

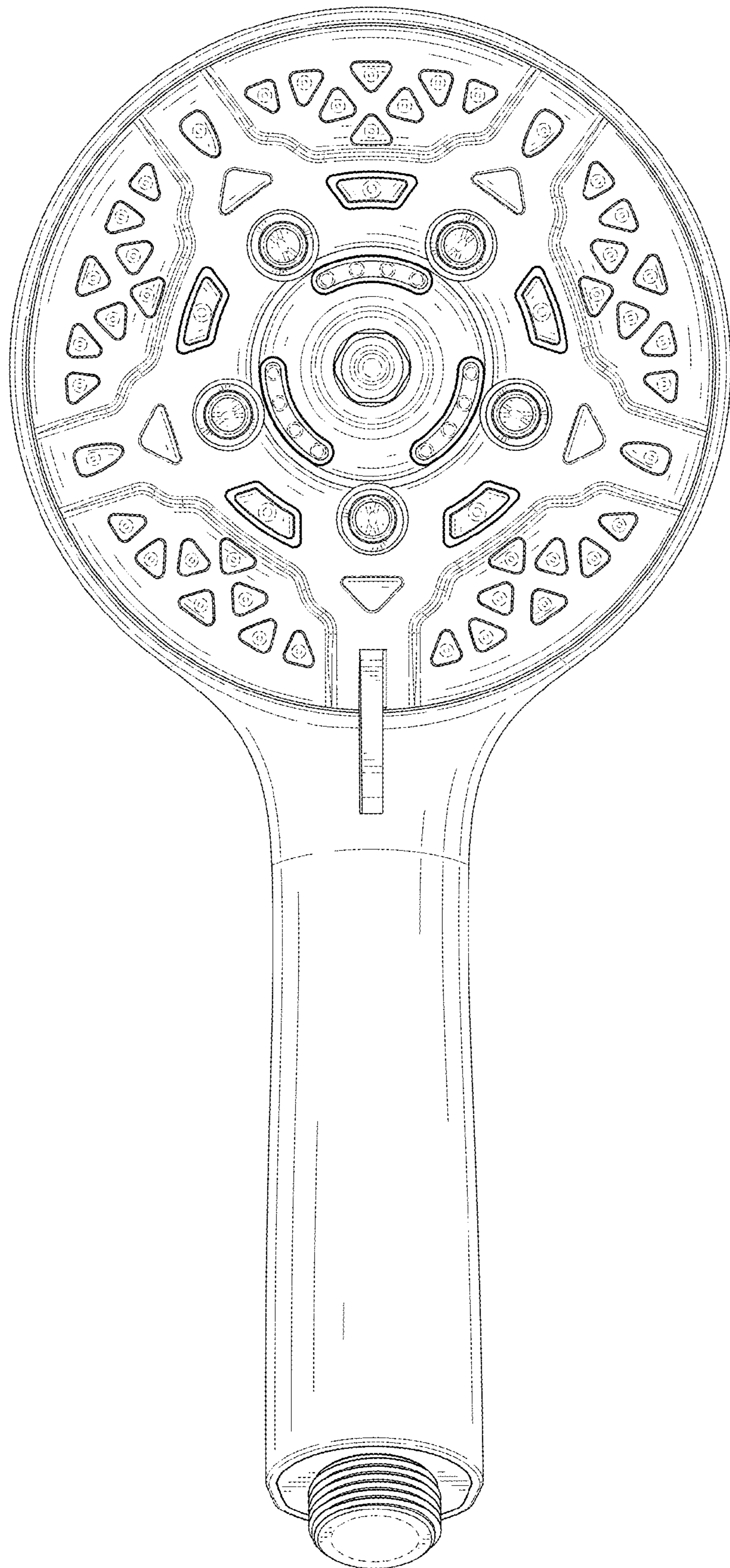


FIG. 3

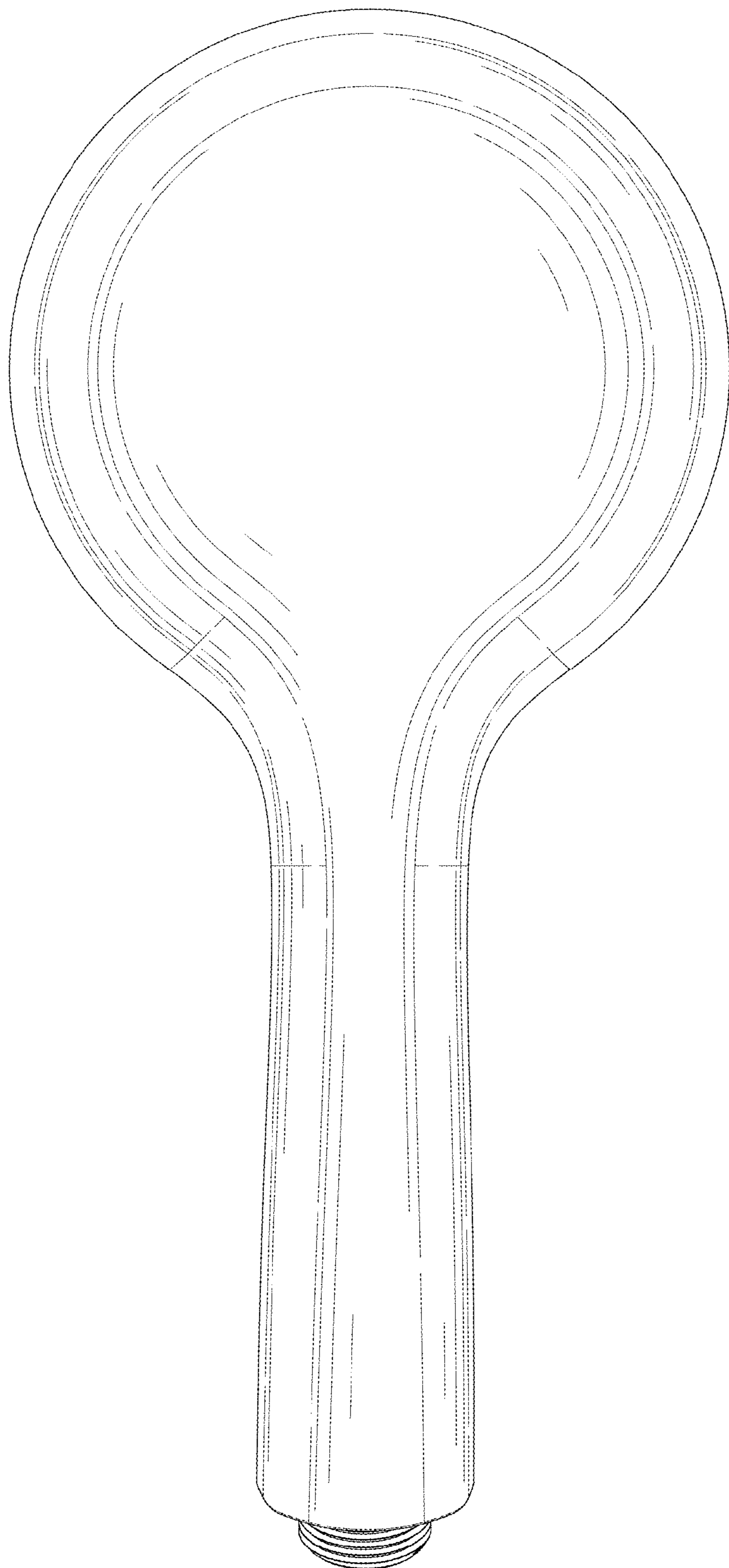


FIG. 4

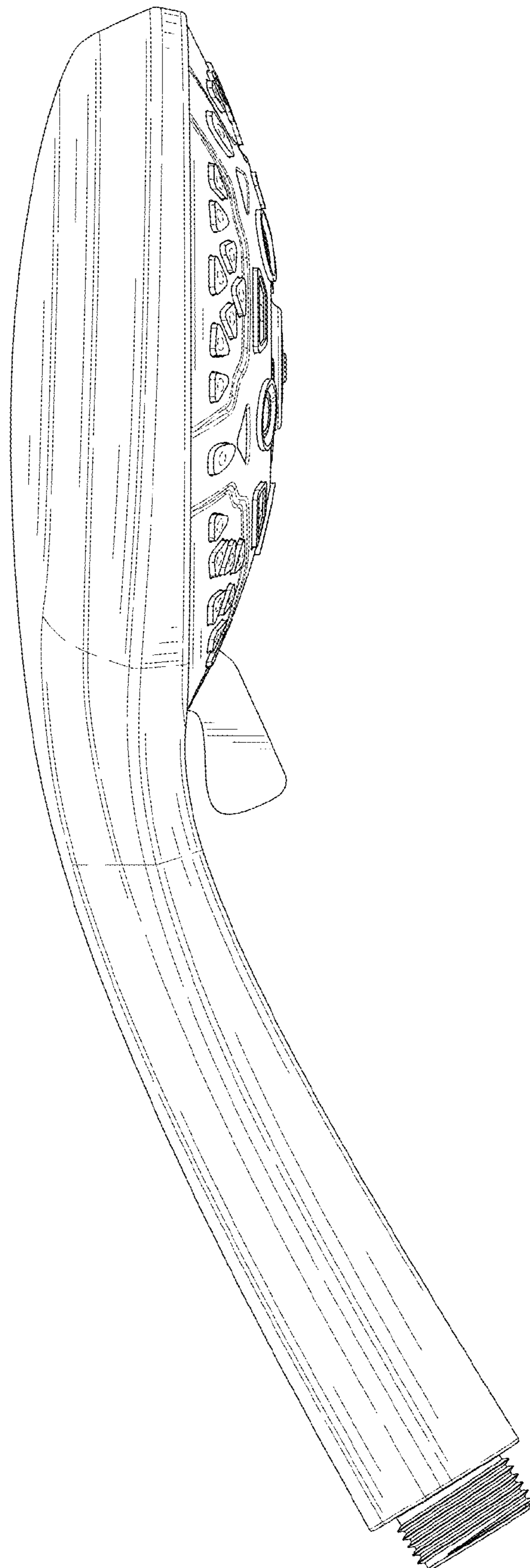


FIG. 5

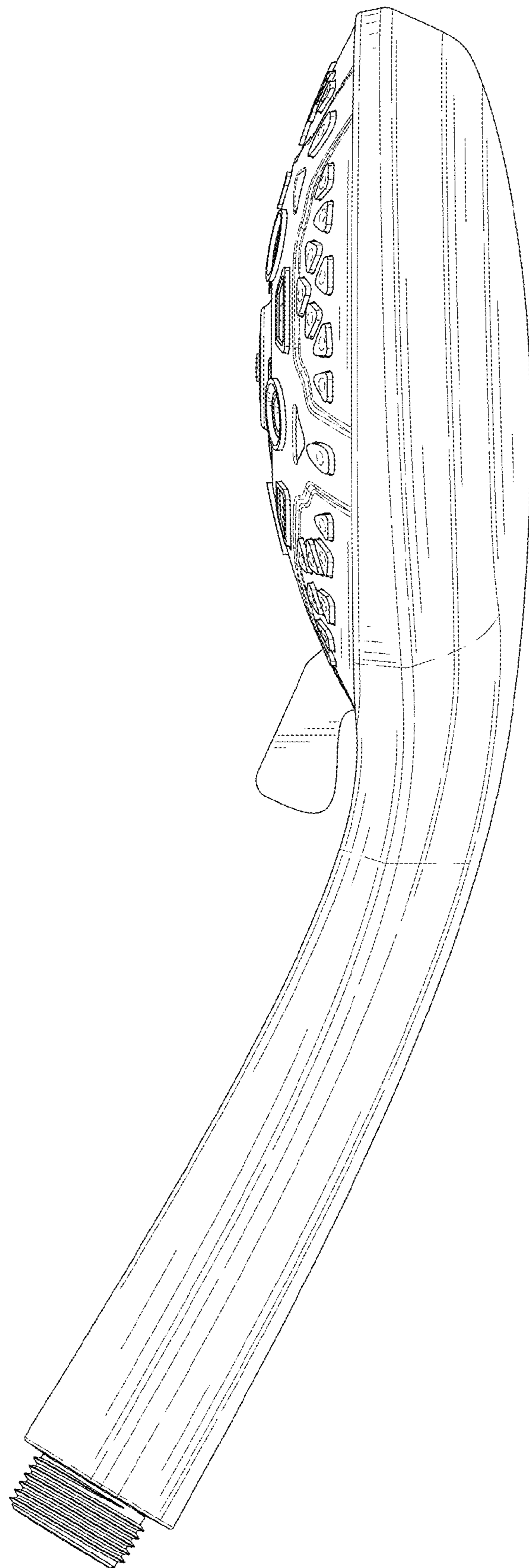


FIG. 6

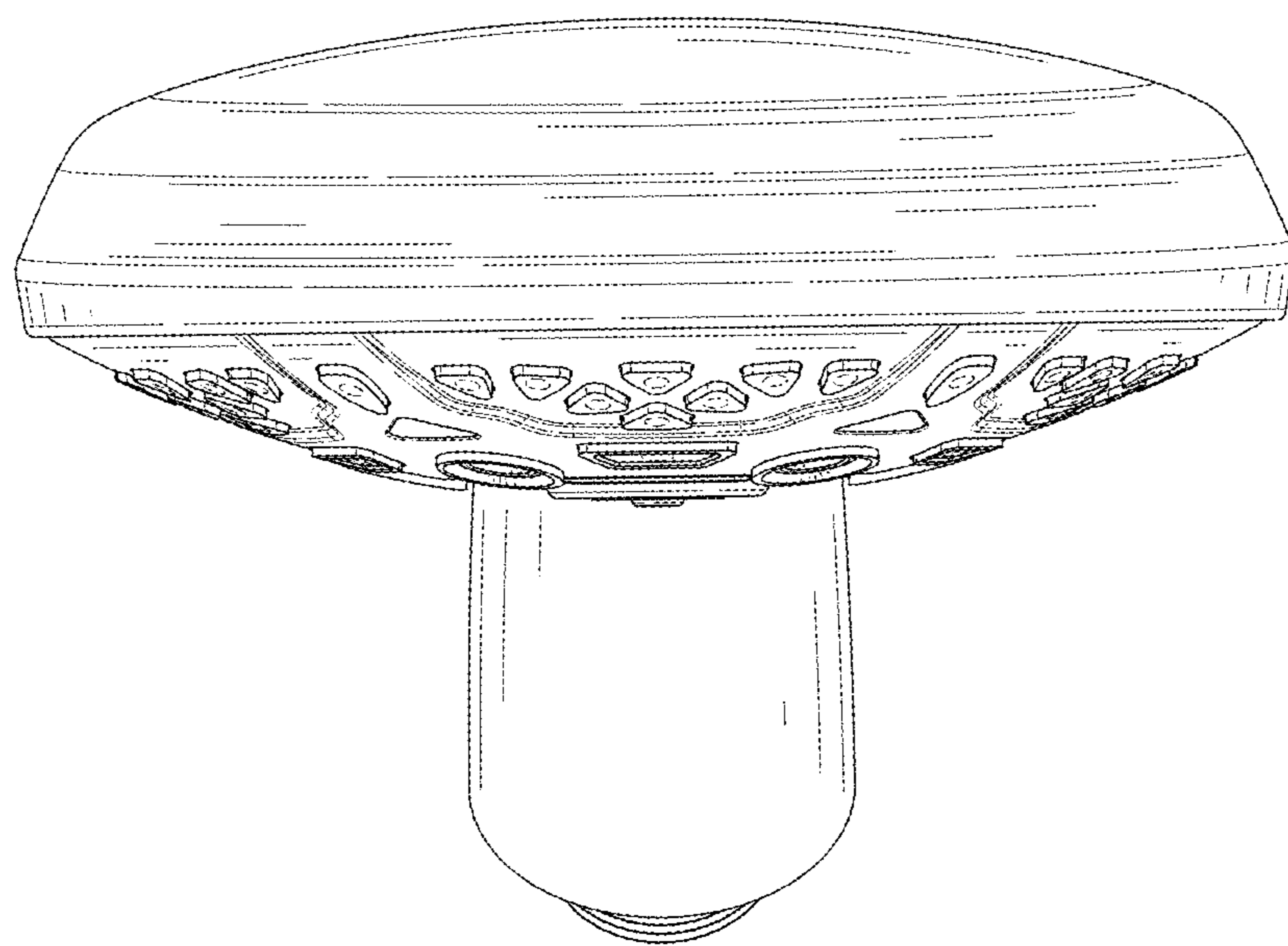


FIG. 7

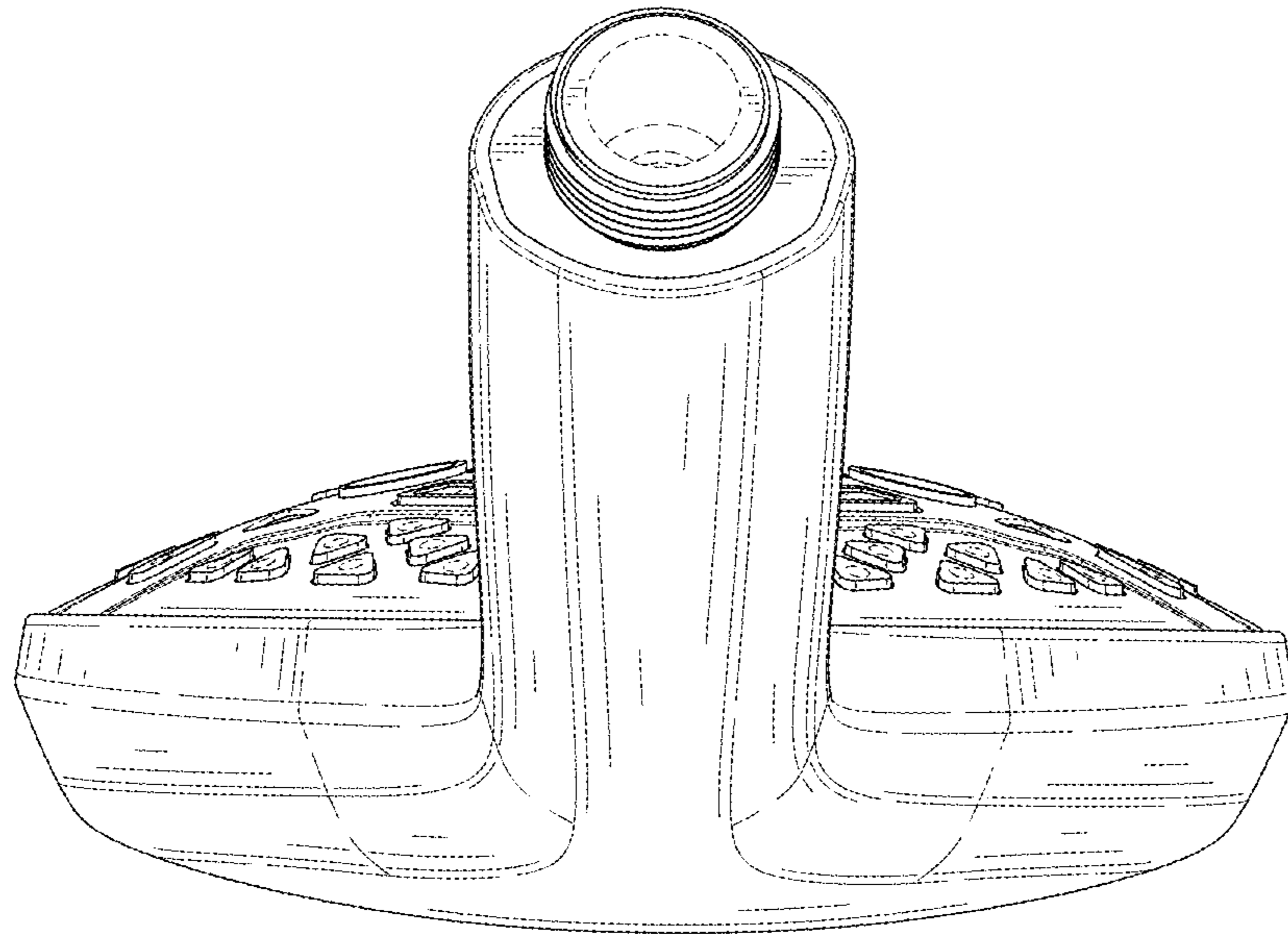


FIG. 8