



US00D965103S

(12) **United States Design Patent** (10) **Patent No.:** **US D965,103 S**
Chen et al. (45) **Date of Patent:** **** Sep. 27, 2022**

(54) **SHOWER HEAD**

(71) Applicant: **Fujian Onlytop Sanitaryware Co., Ltd.**, Fujian (CN)

(72) Inventors: **Yifan Chen**, Fujian (CN); **Kunjing Fan**, Fujian (CN); **Jiaping Xu**, Fujian (CN)

(**) Term: **15 Years**

(21) Appl. No.: **29/806,684**

(22) Filed: **Sep. 6, 2021**

(30) **Foreign Application Priority Data**

Jun. 25, 2021 (CN) 202130397975.3

(51) **LOC (13) Cl.** **23-01**

(52) **U.S. Cl.**
USPC **D23/223**

(58) **Field of Classification Search**
USPC D23/213, 214, 215, 223, 224, 226, 229, D23/230
CPC A61H 9/0021; A61H 33/00; B05B 1/00; B05B 1/14; B05B 1/185; B05B 1/08; B05B 1/02; B05B 1/26; B05B 12/002; B05B 1/18; B05B 9/01
See application file for complete search history.

(56) **References Cited**

U.S. PATENT DOCUMENTS

D617,873 S *	6/2010	Lee	D23/229
D617,874 S *	6/2010	Lee	D23/229
D692,527 S *	10/2013	Hanna	D23/213
D707,329 S *	6/2014	Hanna	D23/213
D716,415 S *	10/2014	Hanna	D23/213
D719,240 S *	12/2014	Hanna	D23/229
D740,917 S *	10/2015	Hanna	D23/213
D752,712 S *	3/2016	Hanna	D23/213

D754,283 S *	4/2016	Hanna	D23/213
D760,347 S *	6/2016	Hanna	D23/213
D776,788 S *	1/2017	Hanna	D23/213
D776,789 S *	1/2017	Hanna	D23/213
D776,790 S *	1/2017	Hanna	D23/213
D779,042 S *	2/2017	Hanna	D23/229
9,687,859 B2 *	6/2017	Kajuch	B05B 1/1654
D842,967 S *	3/2019	Farley	D23/213
D901,630 S *	11/2020	Wu	D23/213
D907,743 S *	1/2021	Wu	D23/213
D908,836 S *	1/2021	Wu	D23/213
D922,522 S	6/2021	Lin et al.		
D927,640 S *	8/2021	Zhang	D23/213
D936,178 S *	11/2021	Lin	D23/213

* cited by examiner

Primary Examiner — Keith J Wilson

(57) **CLAIM**

The ornamental design for a shower head, as shown and described.

DESCRIPTION

FIG. 1 is a front and top perspective view of a shower head, showing our new design;
FIG. 2 is a rear and bottom perspective view thereof;
FIG. 3 is a front elevation view thereof;
FIG. 4 is a rear elevation view thereof;
FIG. 5 is a left side elevation view thereof;
FIG. 6 is a right side elevation view thereof;
FIG. 7 is a top plan view thereof;
FIG. 8 is a bottom plan view thereof; and,
FIG. 9 is an enlarged view of a portion labeled, 'FIG. 9' in FIG. 1.

The broken lines in the figures illustrate portions of the shower head that form, no part of the claimed design. The dash dot dash lines in FIGS. 1 and 9 are for the purpose of depicting the boundary lines of the enlarged view and form no part of the claimed design.

1 Claim, 9 Drawing Sheets

FIG. 9

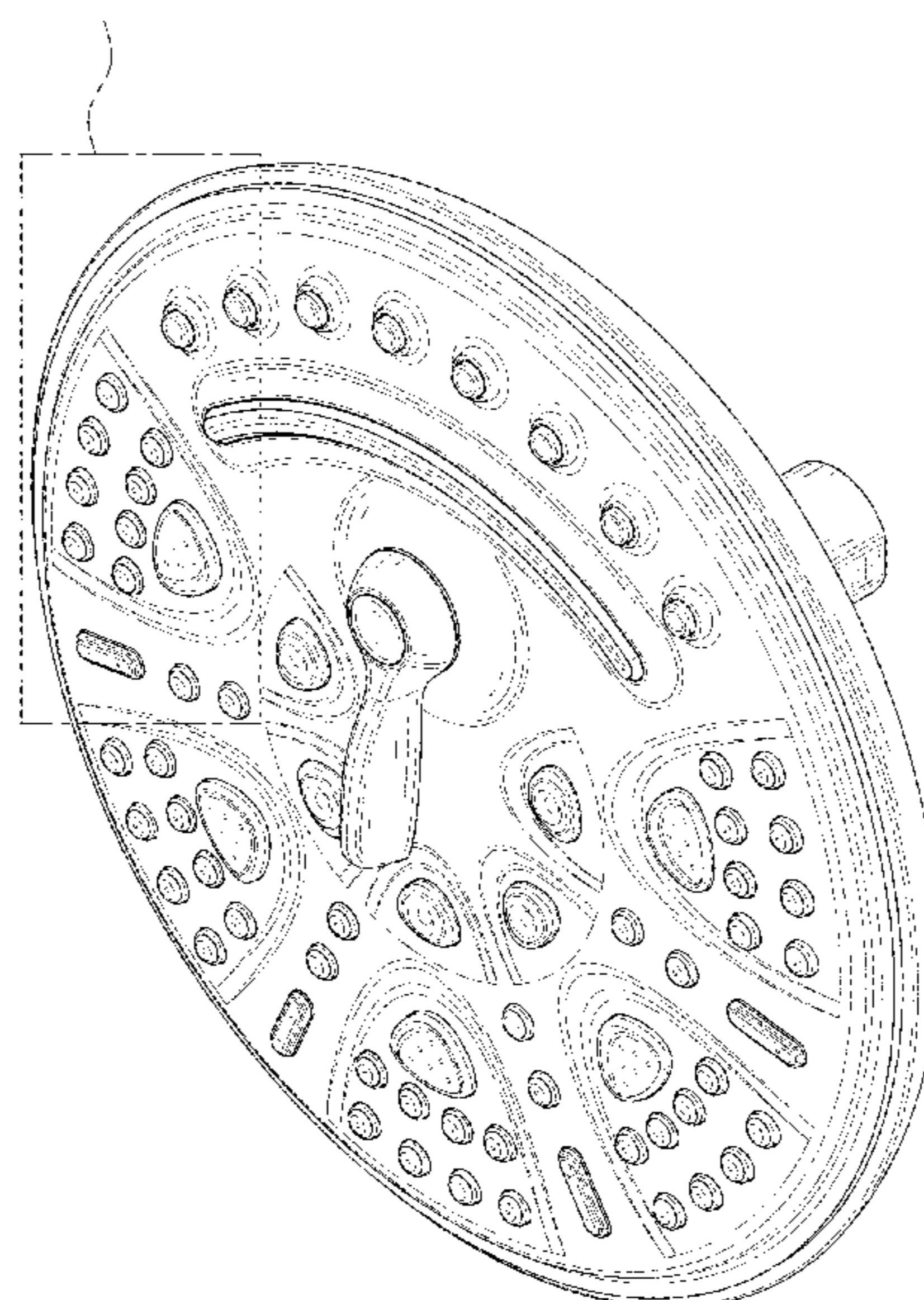


FIG. 9

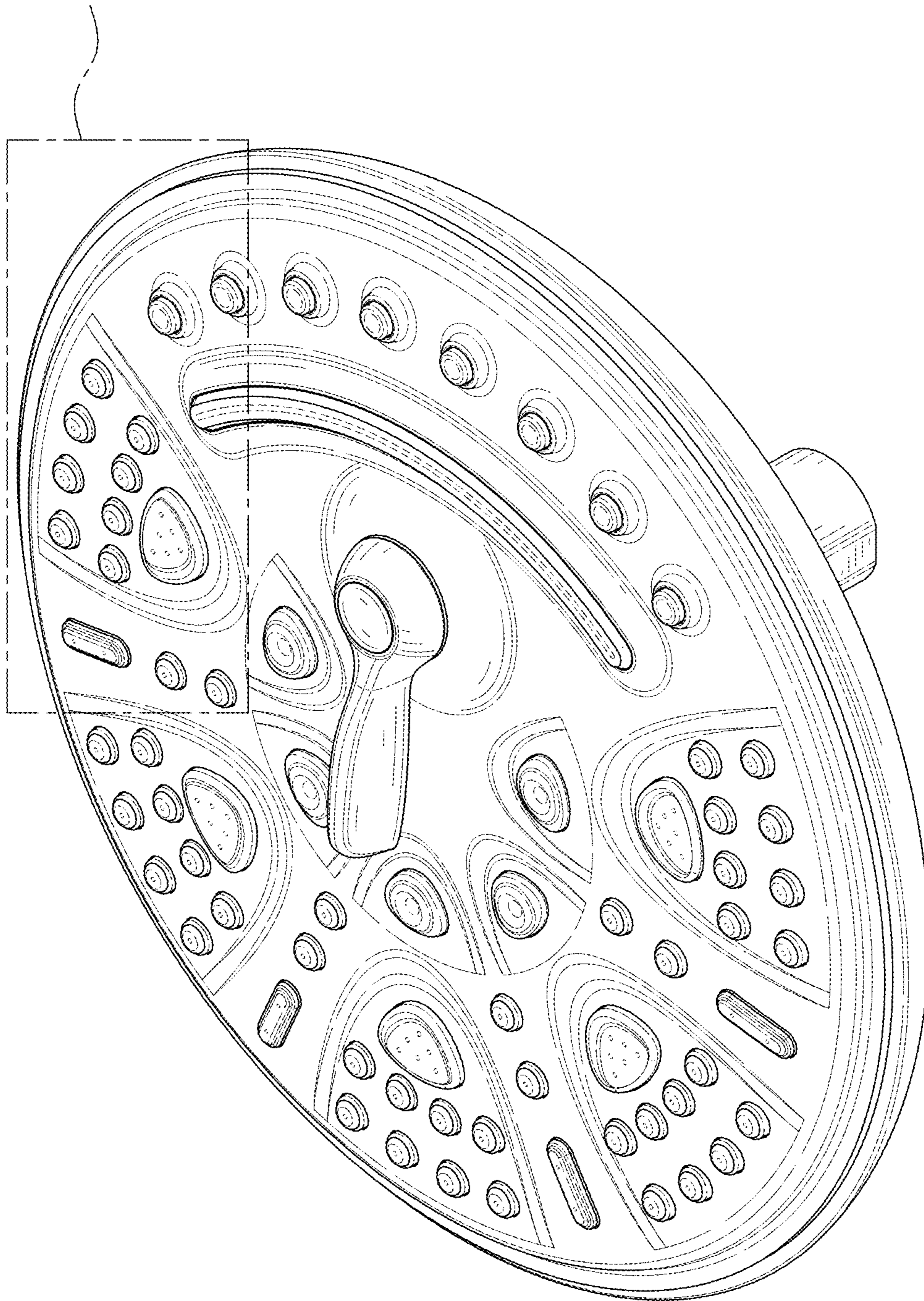


FIG. 1

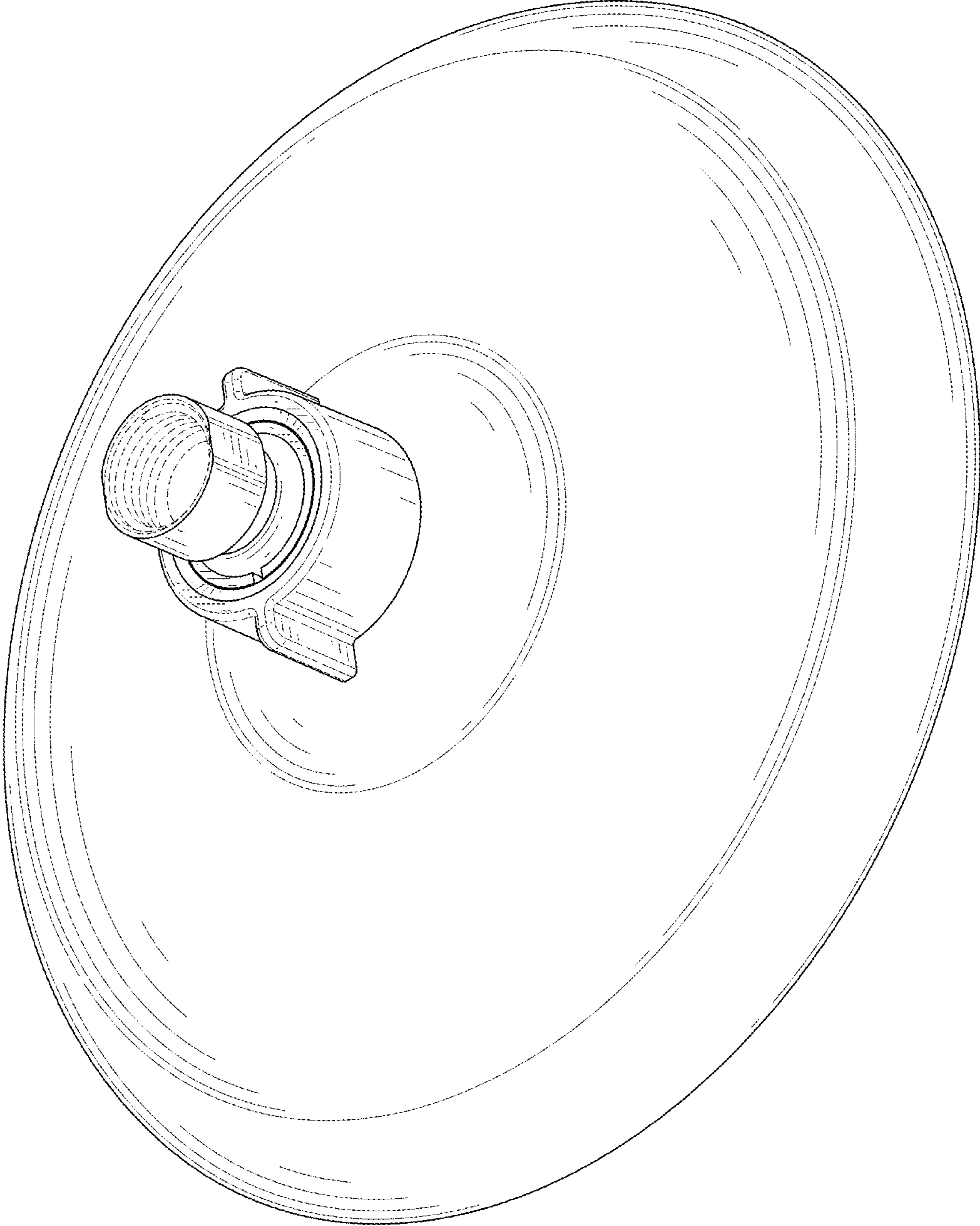


FIG. 2

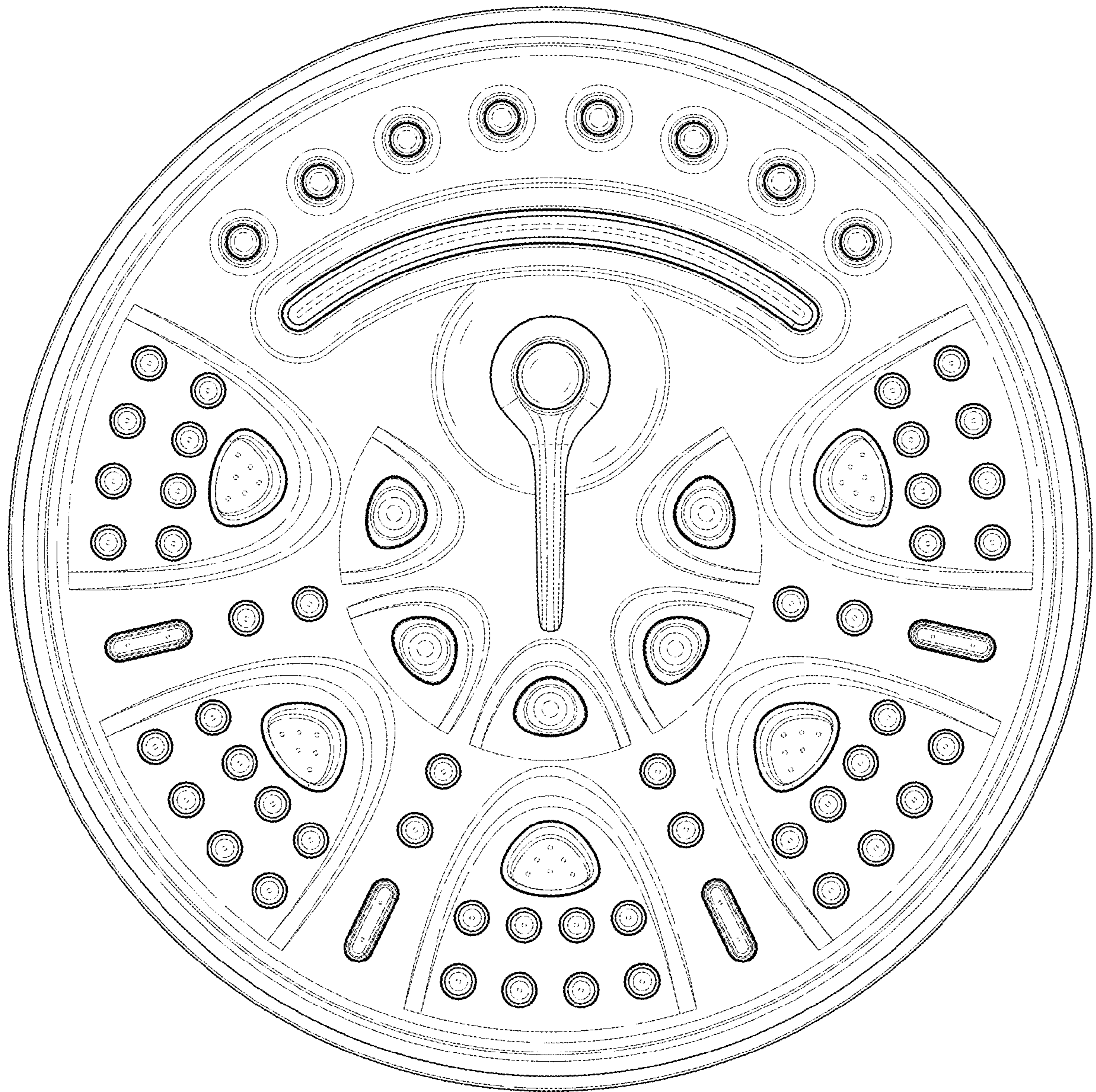


FIG. 3

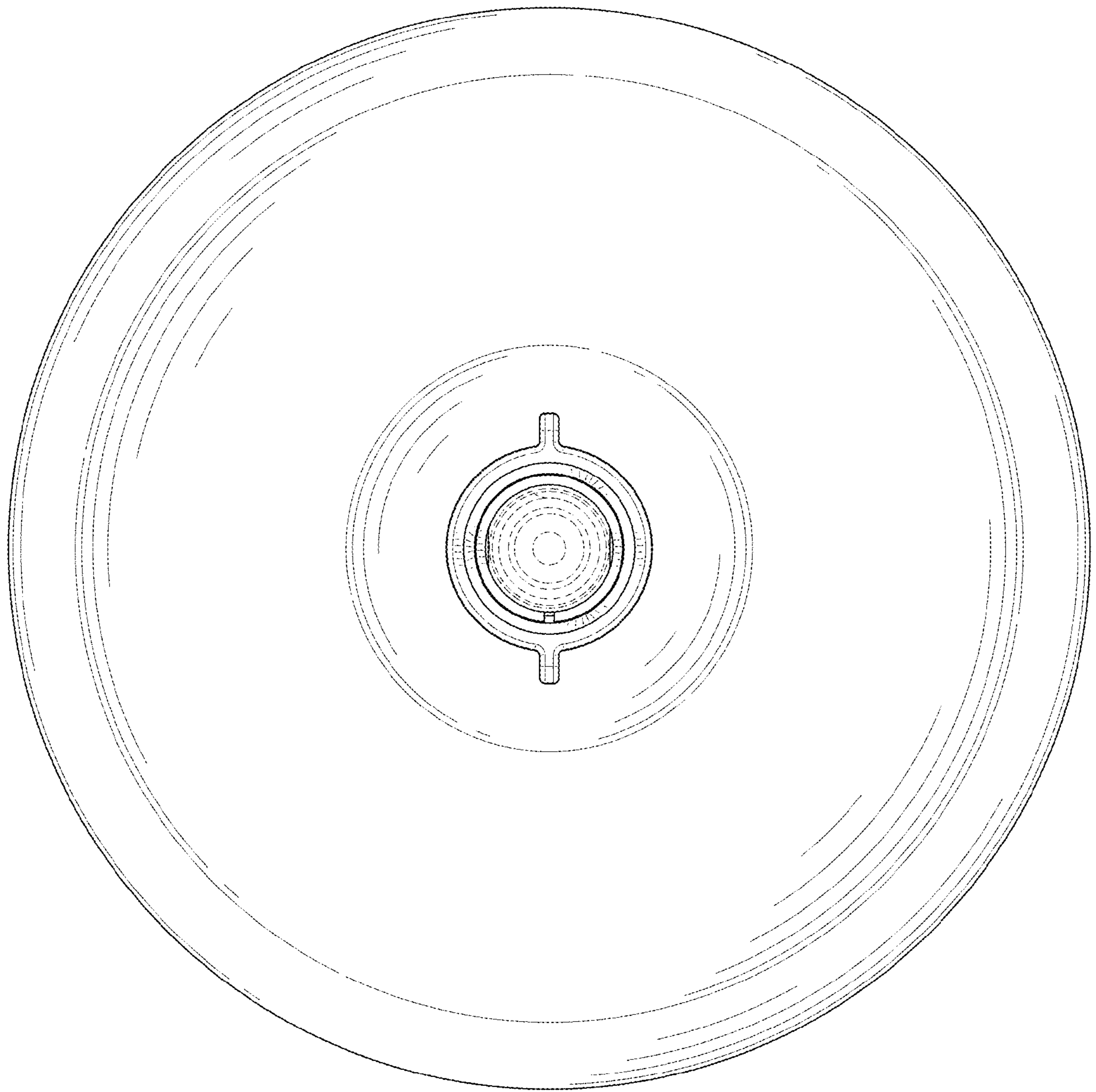


FIG. 4

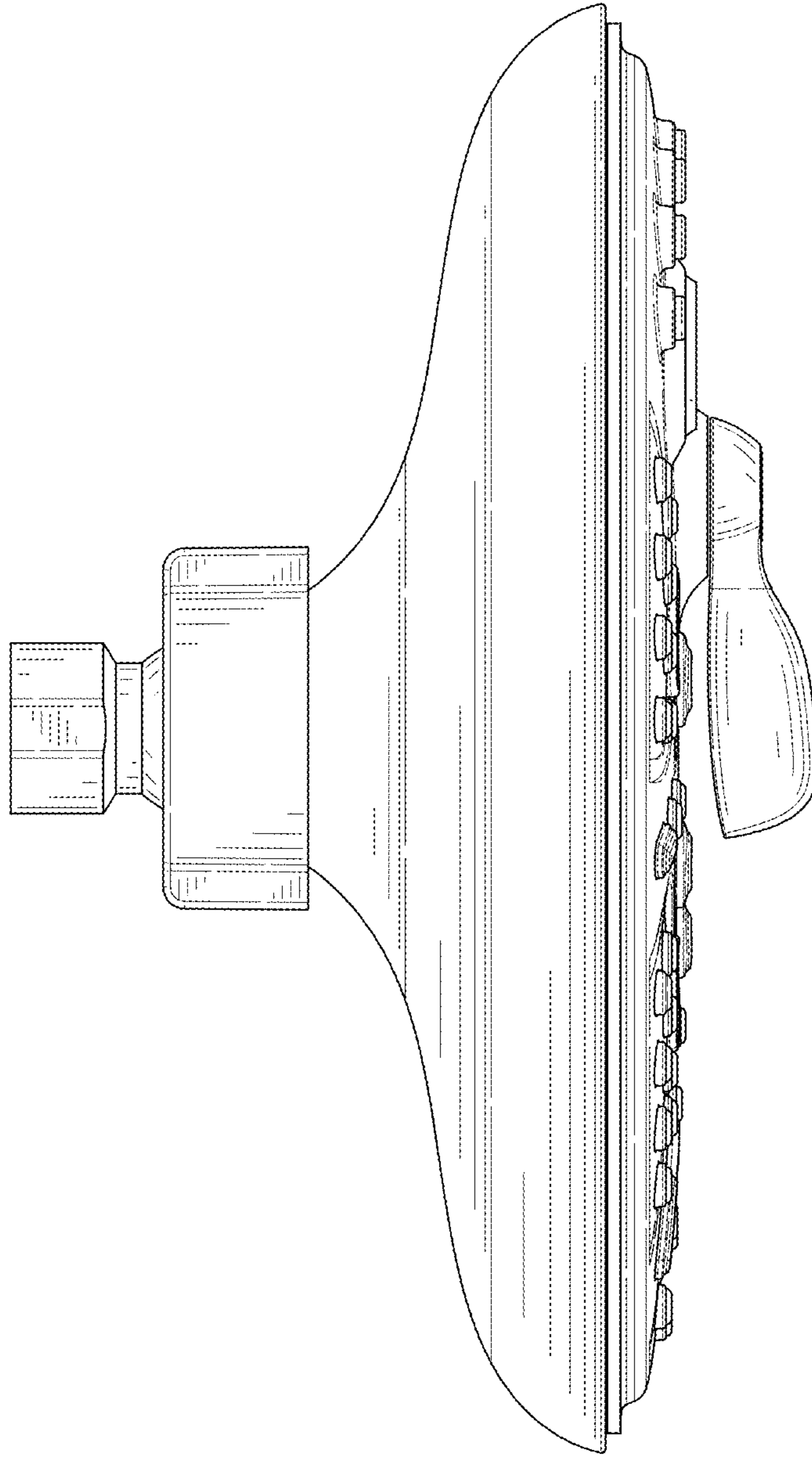


FIG. 5

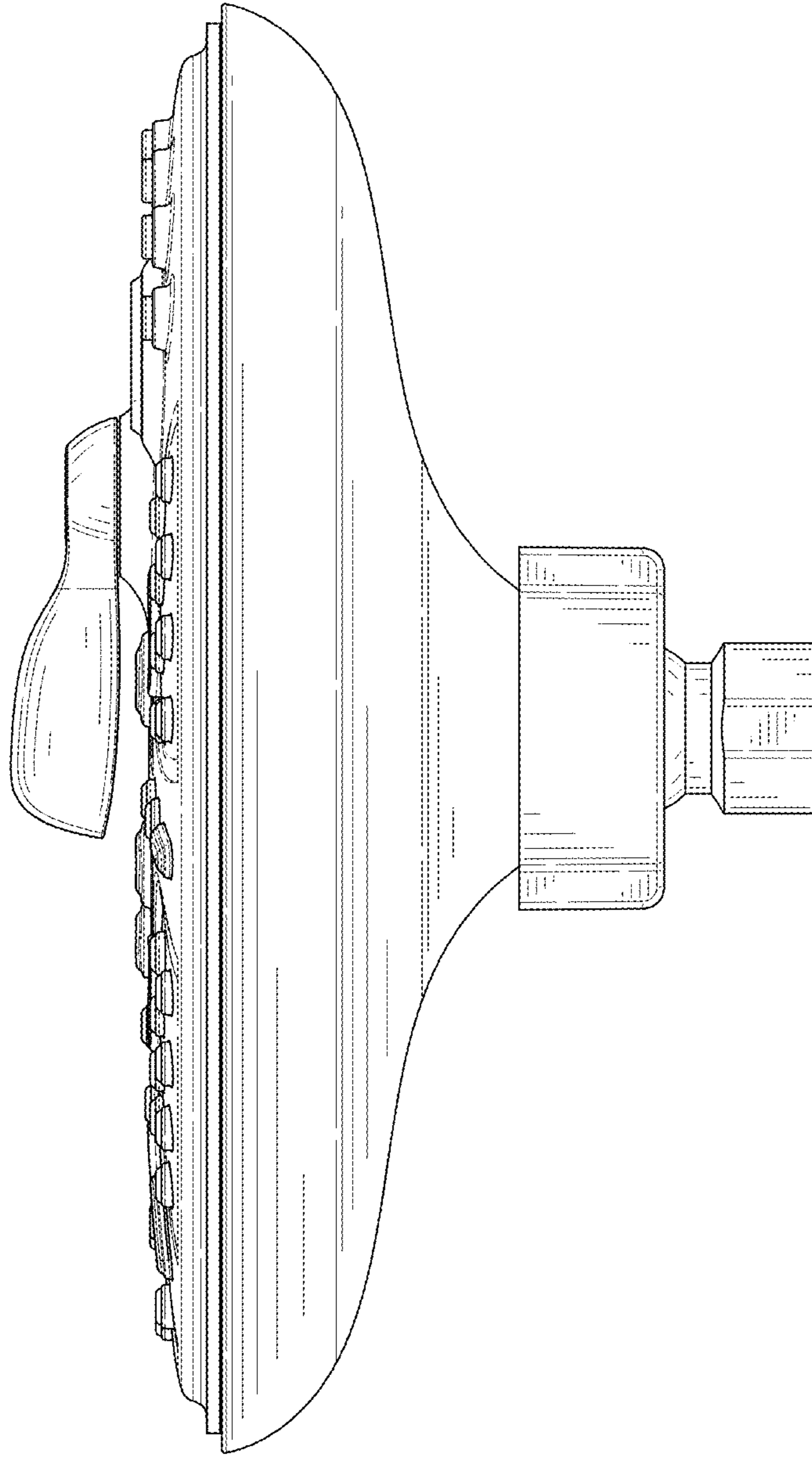


FIG. 6

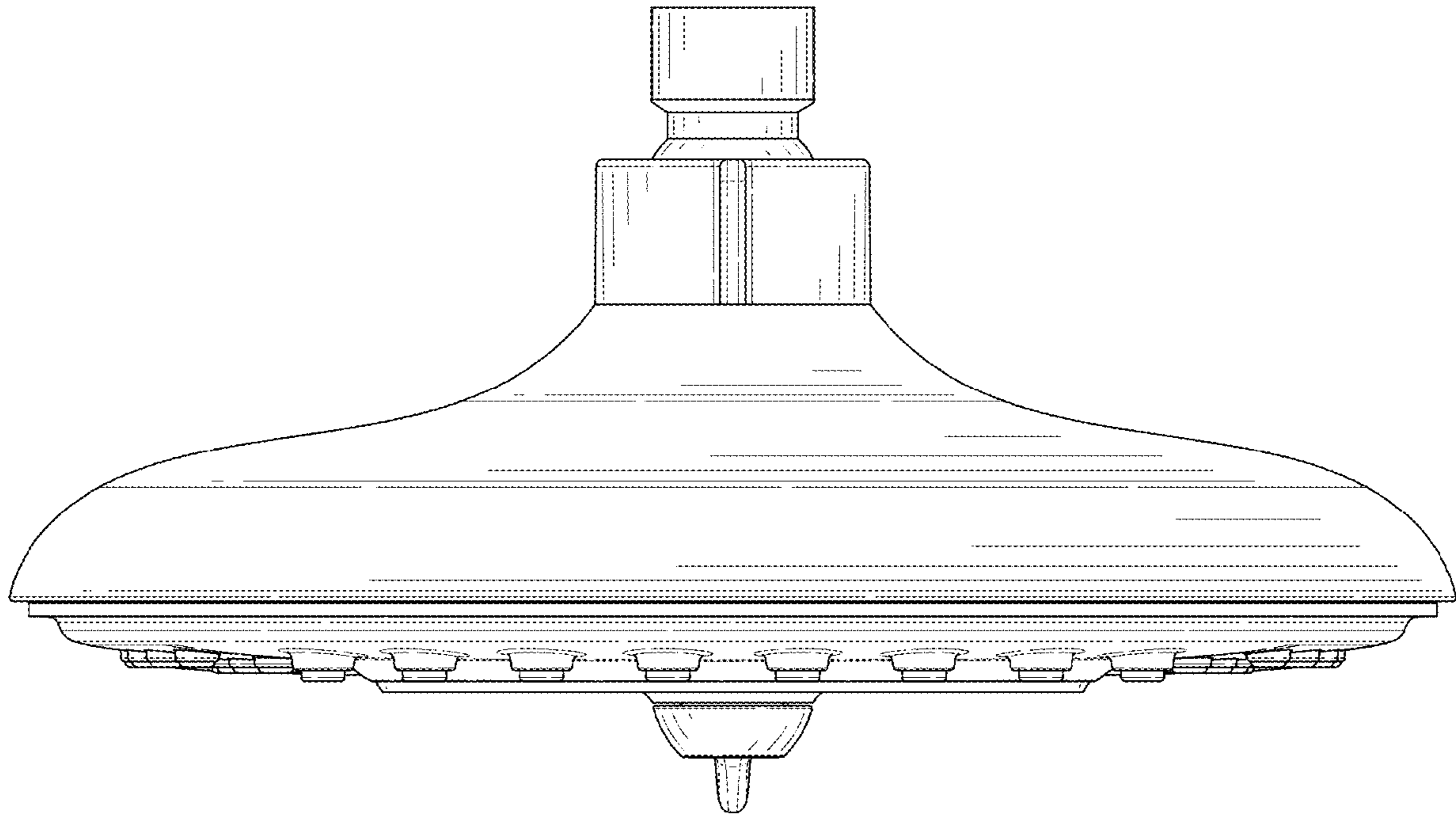


FIG. 7

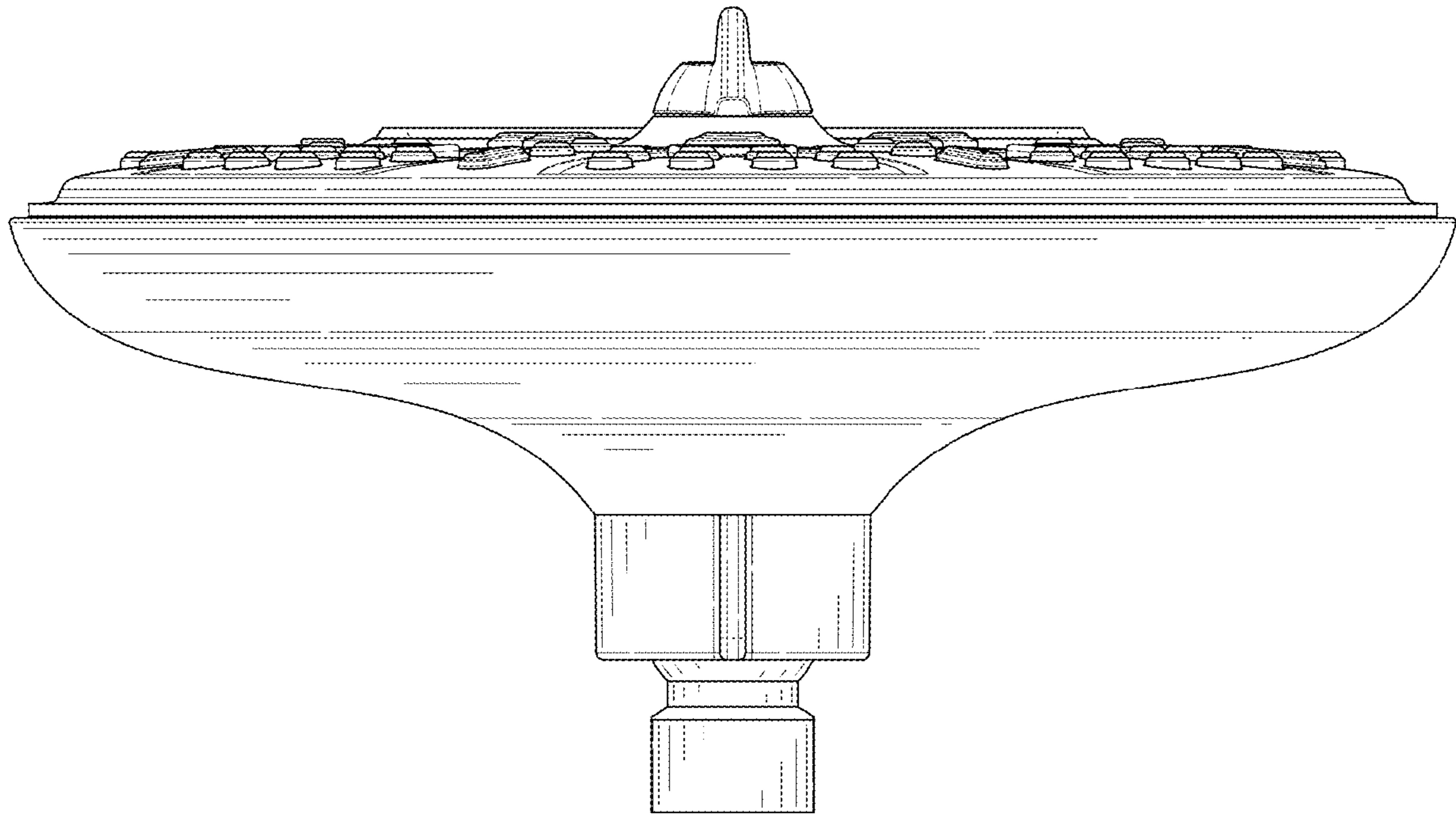


FIG. 8

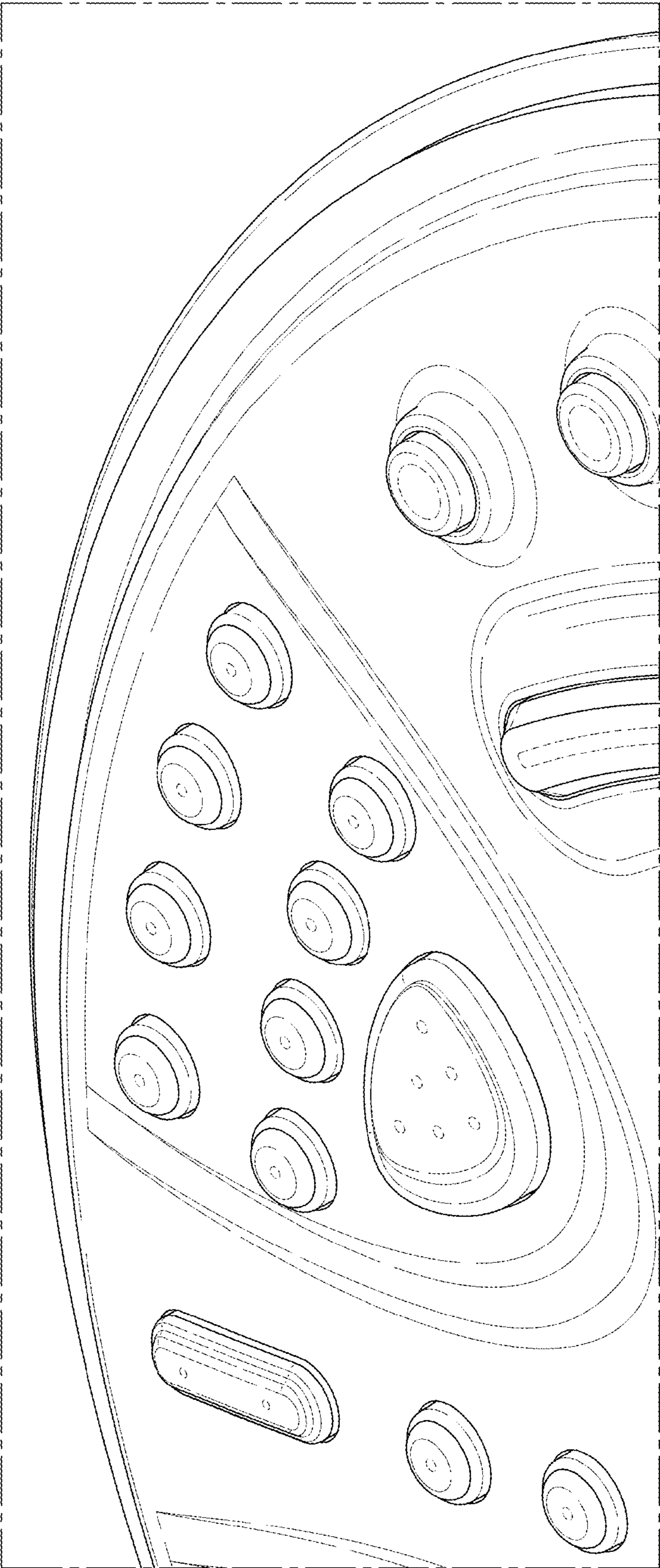


FIG. 9