



US00D965101S

(12) **United States Design Patent**
Birmelin

(10) **Patent No.:** **US D965,101 S**

(45) **Date of Patent:** **** Sep. 27, 2022**

- (54) **FAUCET STREAM STRAIGHTENER**
- (71) Applicant: **Neoperl GmbH**, Mullheim (DE)
- (72) Inventor: **David Birmelin**, Mullheim (DE)
- (73) Assignee: **Neoperl GmbH**, Müllheim (DE)
- (**) Term: **15 Years**
- (21) Appl. No.: **29/678,452**

D537,916 S *	3/2007	Buttgen	D23/213
D632,367 S *	2/2011	Stein	D23/249
D733,255 S	6/2015	Blum	
D752,710 S	3/2016	Tempel	
D776,240 S	1/2017	Huang et al.	
D776,242 S	1/2017	Blum	
D788,264 S	5/2017	Stein	
D833,581 S *	11/2018	Atwell	D23/259
D839,385 S *	1/2019	Vögeli	D23/213
D846,094 S *	4/2019	Blum	D23/262
D888,203 S *	6/2020	Blum	D23/262
D908,846 S *	1/2021	Kluss	D23/262
D919,775 S *	5/2021	Kluss	D23/262

(22) Filed: **Jan. 29, 2019**

Related U.S. Application Data

(62) Division of application No. 35/502,874, filed on Mar. 10, 2017 (U.S. filing date under 35 U.S.C. 384), and having an international filing date of Mar. 10, 2017, now Pat. No. Des. 844,104.

(51) **LOC (13) Cl.** **23-01**
(52) **U.S. Cl.**
USPC **D23/213**

(58) **Field of Classification Search**
USPC D23/213, 229, 233, 235, 247-249, 264
CPC B05B 7/0425; E03C 1/08; E03C 1/084;
E03C 1/086; E03C 2001/026
See application file for complete search history.

(56) **References Cited**

U.S. PATENT DOCUMENTS

D192,906 S 5/1962 Gross
D336,510 S * 6/1993 Sawtelle D23/262

* cited by examiner

Primary Examiner — Keli L Hill

(74) *Attorney, Agent, or Firm* — Volpe Koenig

(57) **CLAIM**

I claim the ornamental design for a faucet stream straightener, as shown and described.

DESCRIPTION

FIG. 1 is a top plan view of a faucet straightener in accordance with my design;
FIG. 2 is a top perspective view thereof;
FIG. 3 is a bottom plan view thereof;
FIG. 4 is a bottom perspective view thereof;
FIG. 5 is a front elevational view thereof;
FIG. 6 is a left side elevational view thereof;
FIG. 7 is a rear elevational view thereof; and,
FIG. 8 is a right side elevational view thereof.

1 Claim, 4 Drawing Sheets

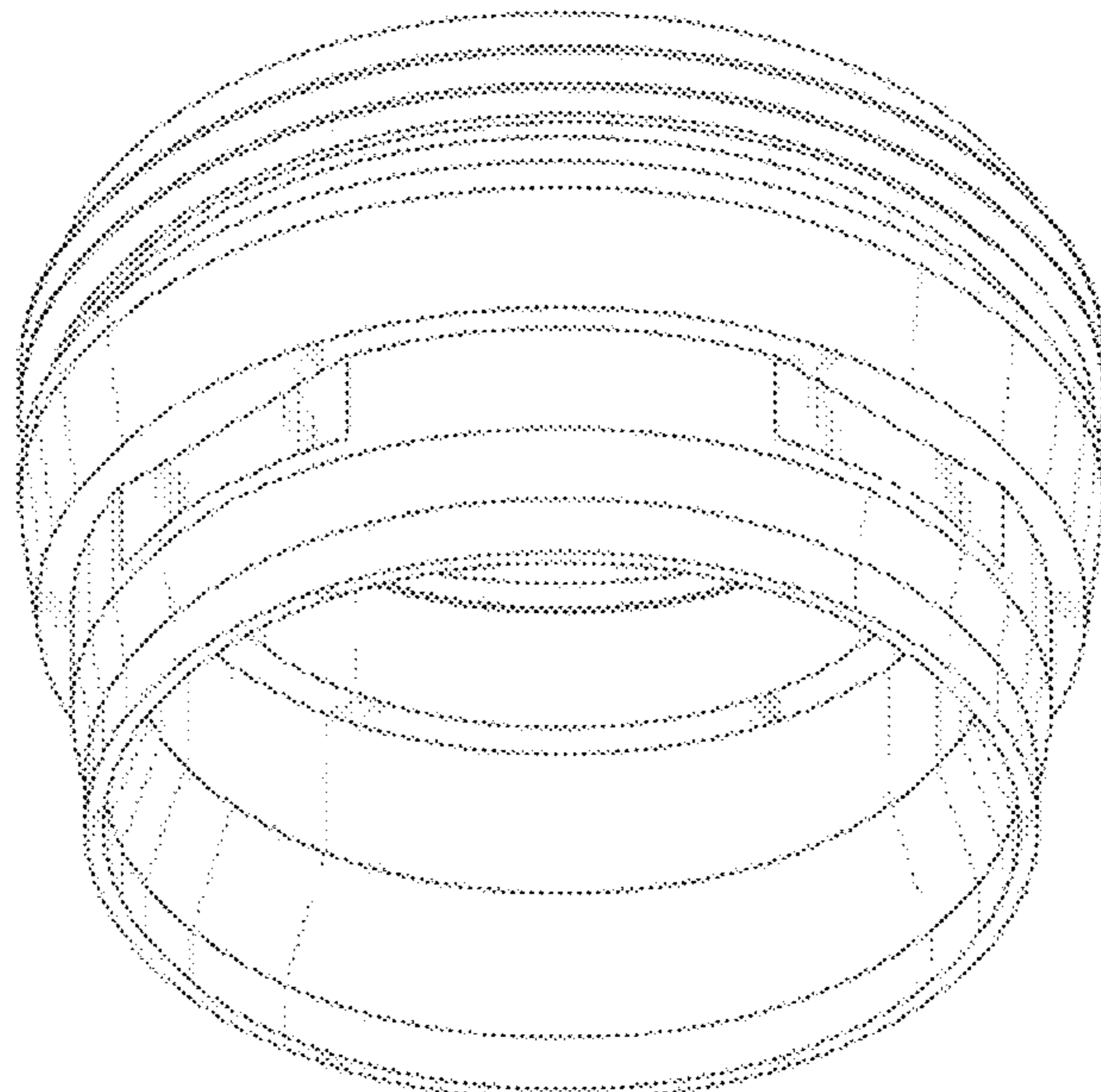
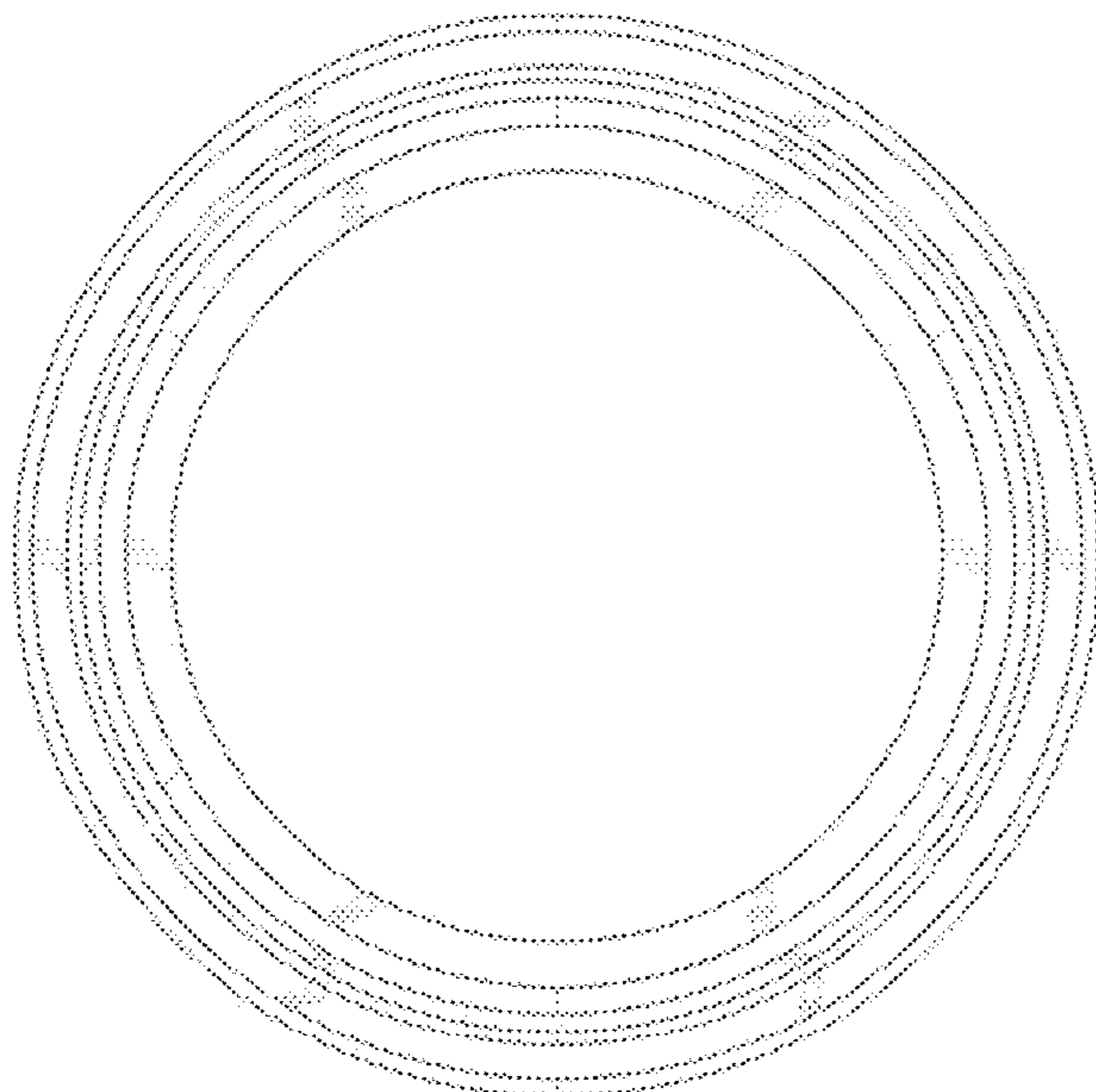


Fig. 1

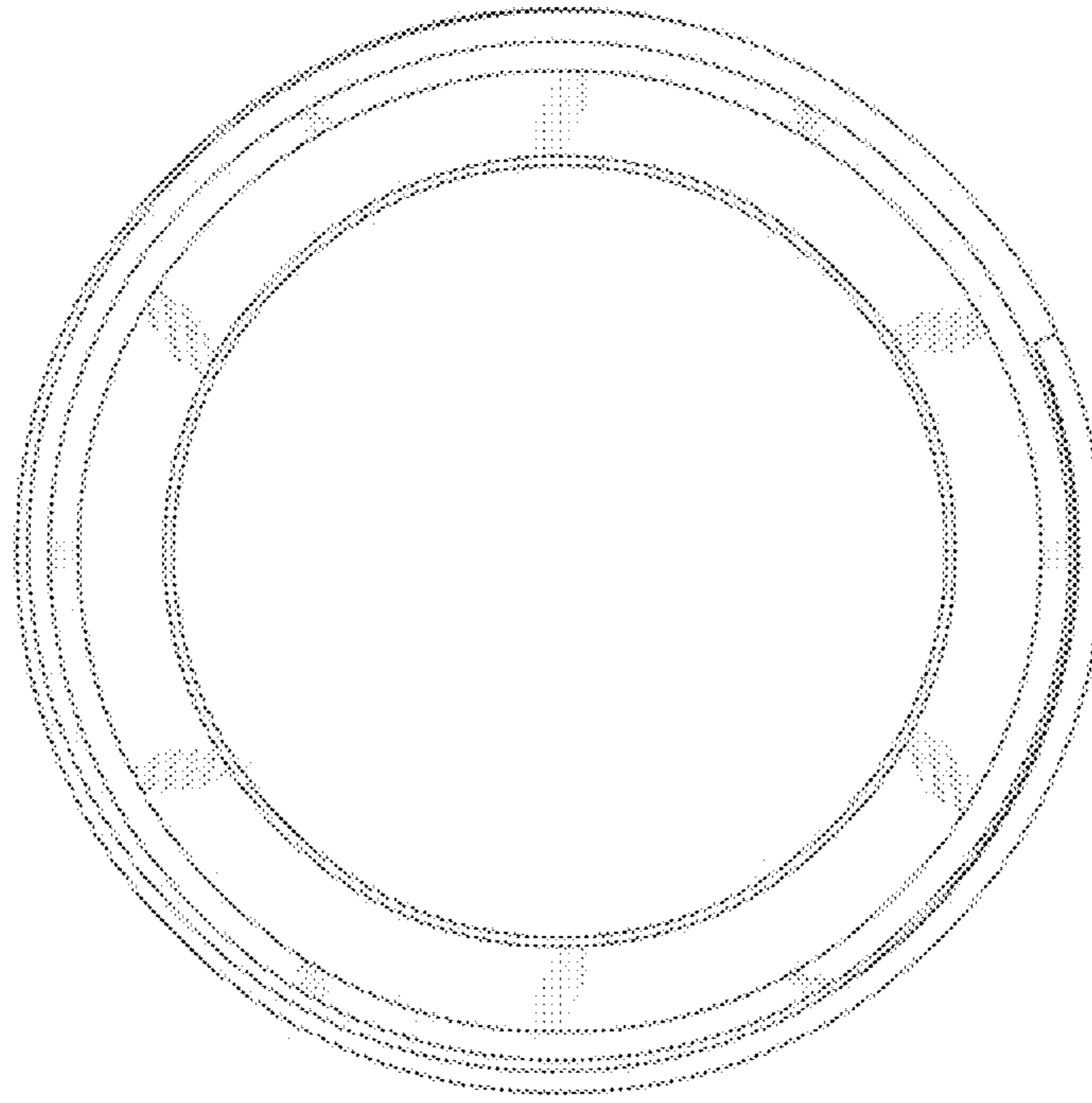


Fig. 2

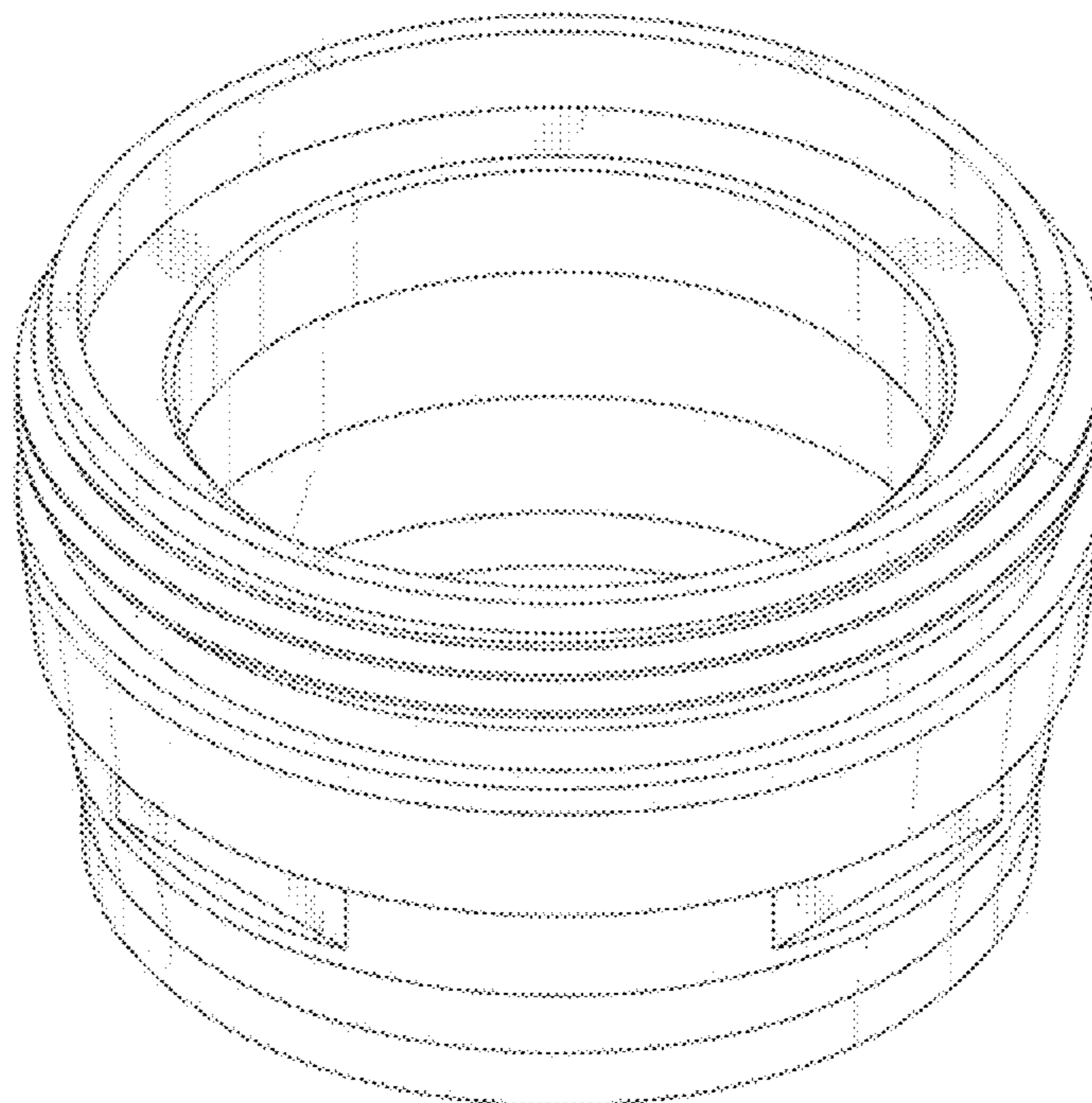


Fig. 3

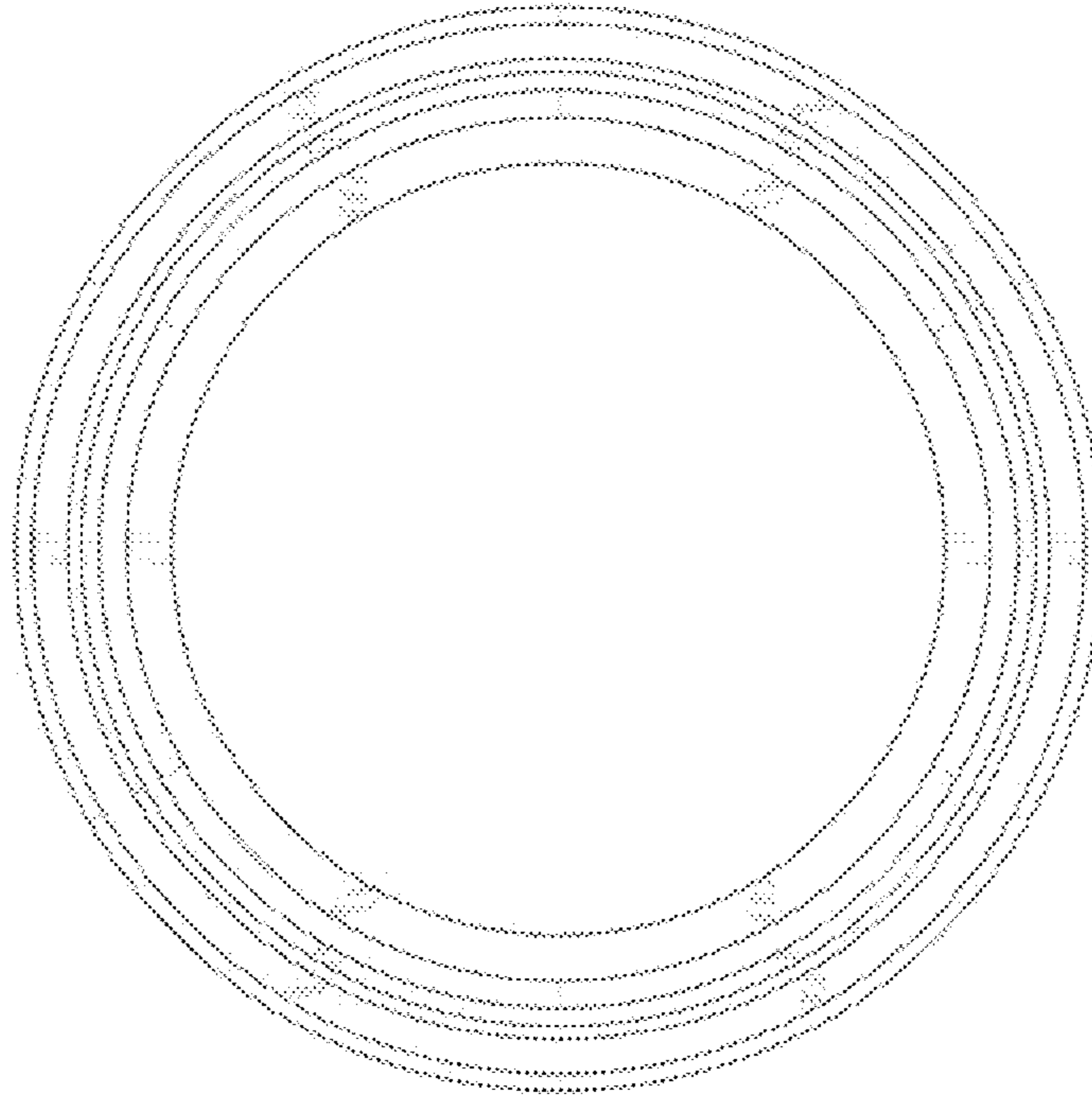


Fig. 4

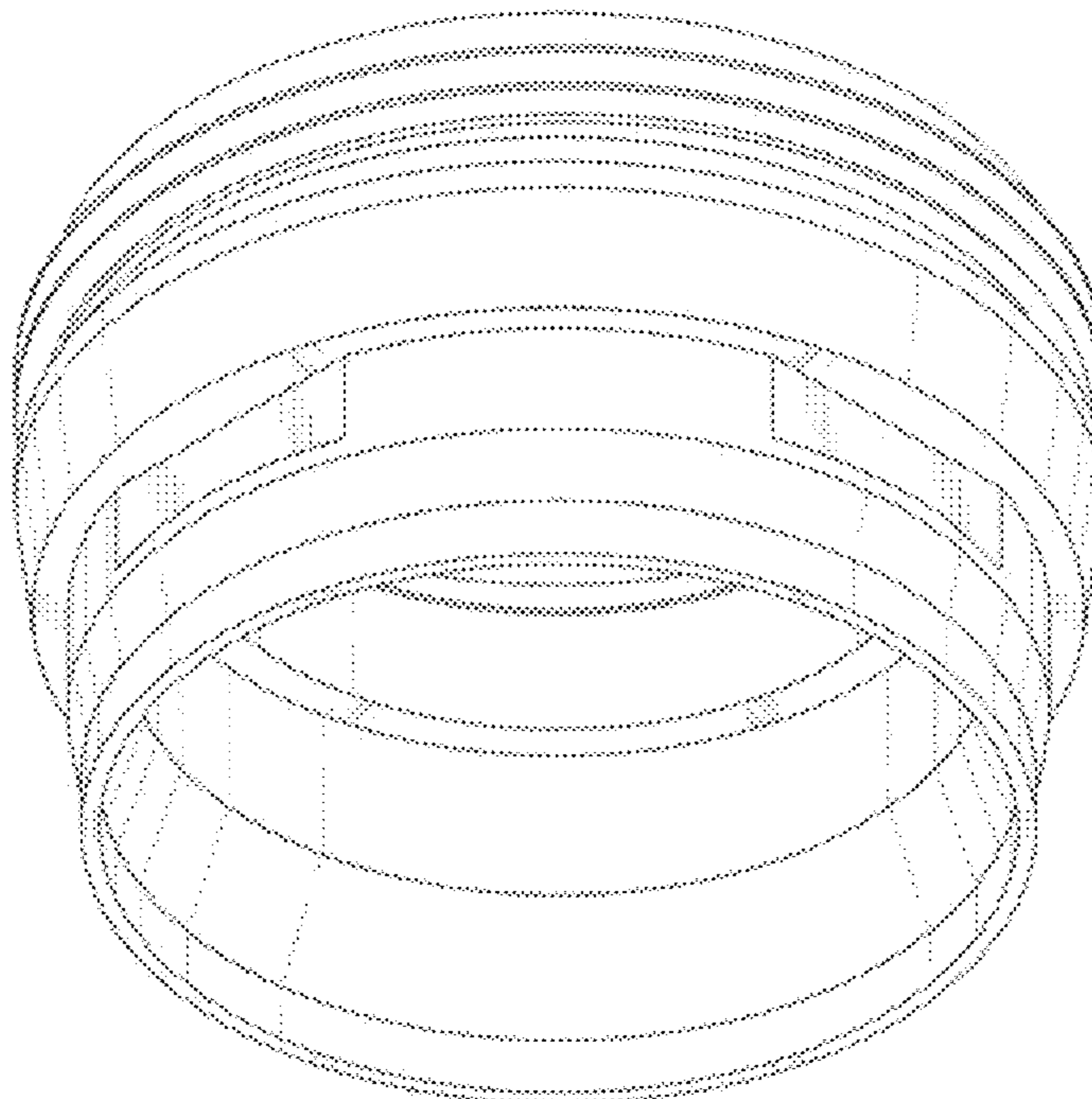


Fig. 5

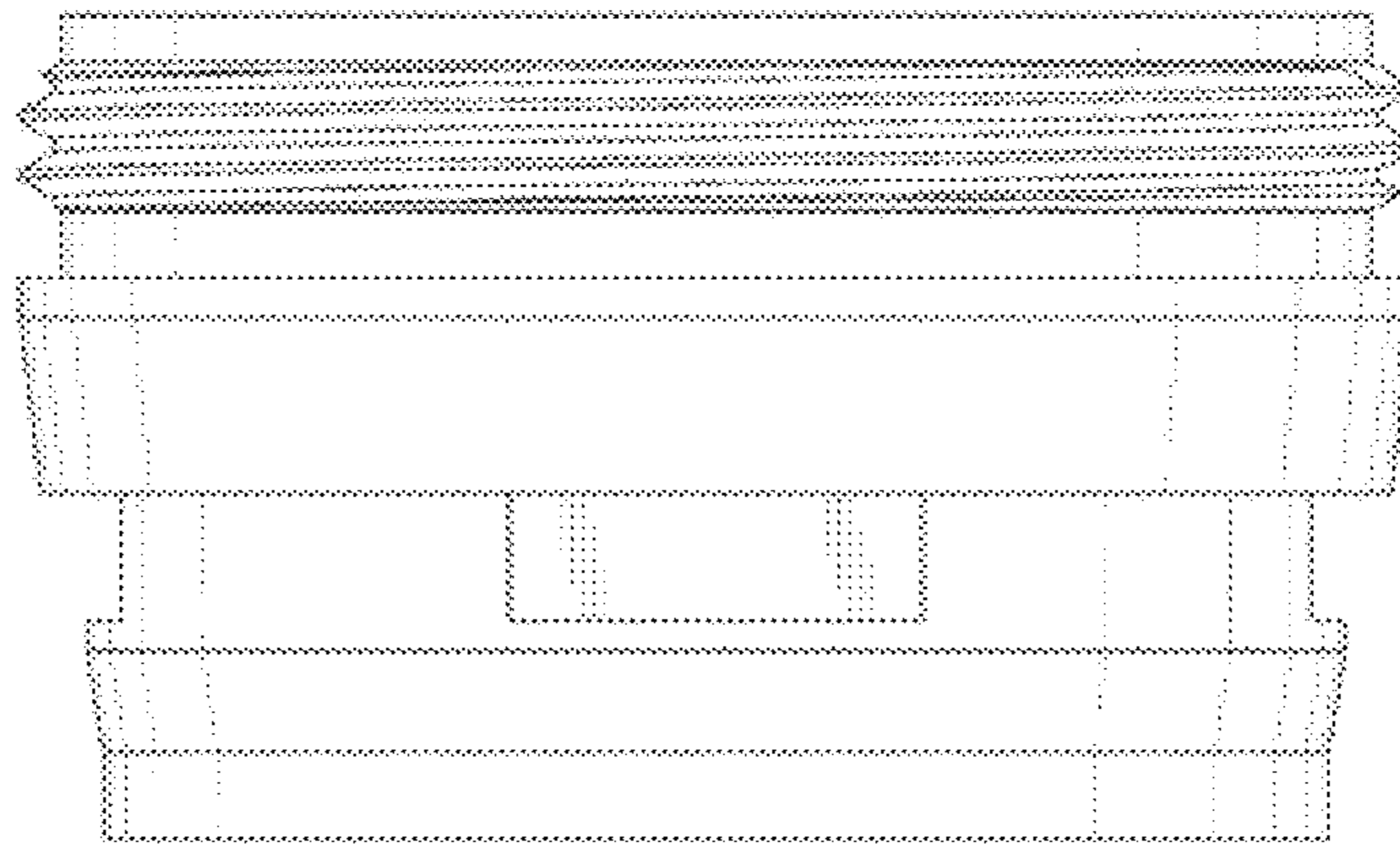


Fig. 6

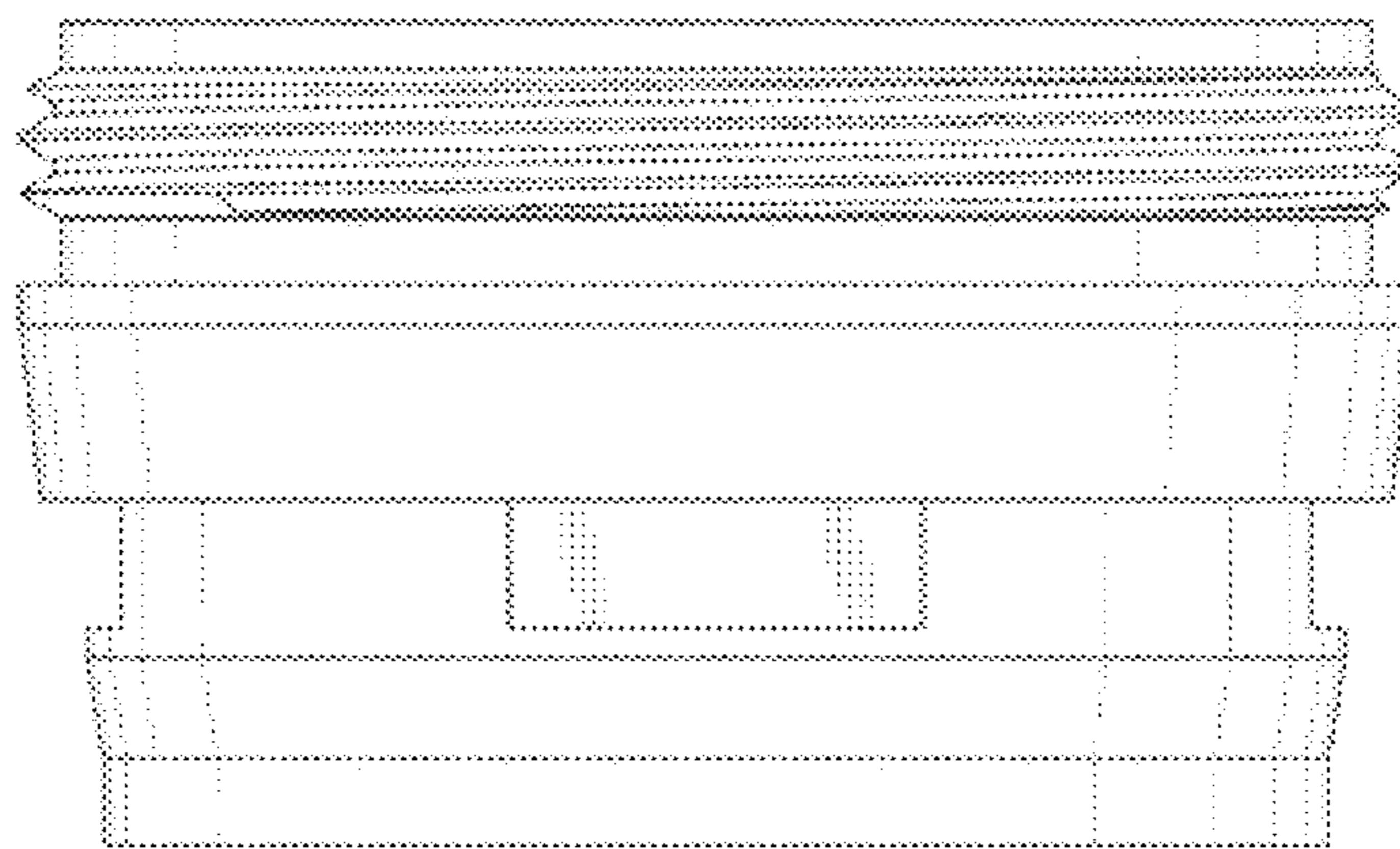


Fig. 7

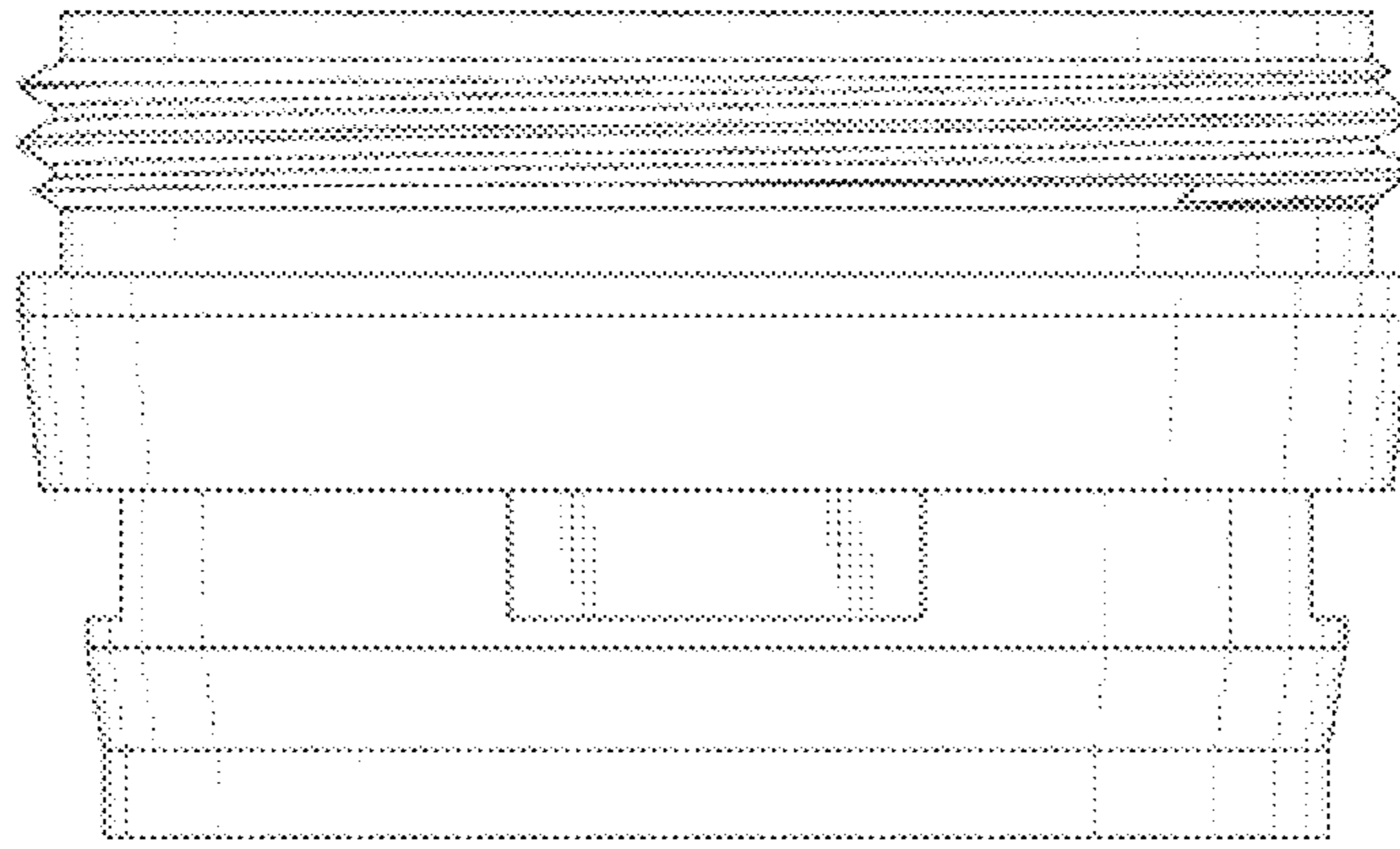


Fig. 8

