



US00D965100S

(12) **United States Design Patent**  
**Tanaka**

(10) **Patent No.:** **US D965,100 S**

(45) **Date of Patent:** **\*\* Sep. 27, 2022**

(54) **FILTER**

(71) Applicant: **SMC CORPORATION**, Tokyo (JP)

(72) Inventor: **Takayuki Tanaka**, Tsukuba (JP)

(73) Assignee: **SMC CORPORATION**, Tokyo (JP)

(\*\*) Term: **15 Years**

(21) Appl. No.: **29/774,381**

(22) Filed: **Mar. 16, 2021**

(30) **Foreign Application Priority Data**

Sep. 25, 2020 (JP) ..... 2020-020422 D

(51) **LOC (13) Cl.** ..... **23-01**

(52) **U.S. Cl.**  
USPC ..... **D23/209**

(58) **Field of Classification Search**  
USPC ..... D23/207, 209, 210, 325, 355, 363, 365;  
D24/162  
CPC ..... B01D 27/00; B01D 27/08; B01D 35/303;  
B01D 2201/306; B01D 2201/309; B01D  
2221/02; C02F 1/002; C02F 1/003; C02F  
9/005; C02F 2307/02; C02F 2307/04;  
C02F 2307/10

See application file for complete search history.

(56) **References Cited**

**U.S. PATENT DOCUMENTS**

D234,357 S \* 2/1975 Humphrey ..... D23/209  
D234,843 S \* 4/1975 Taylor ..... D23/209  
D236,264 S \* 8/1975 Taylor ..... D23/209  
D236,265 S \* 8/1975 Dussardier ..... D23/209  
D295,674 S \* 5/1988 Ogasawara ..... D23/365  
4,774,853 A \* 10/1988 Takahashi ..... B01D 46/009  
210/167.02  
D301,914 S \* 6/1989 Ogasawara ..... D23/209  
D317,315 S \* 6/1991 Miyake ..... D23/209

D317,346 S \* 6/1991 Ito ..... D23/209  
D331,961 S \* 12/1992 Ridolfi ..... D23/365  
5,636,655 A \* 6/1997 Kawamura ..... F16T 1/24  
137/181  
D400,211 S \* 10/1998 Thallemer ..... D15/7  
D659,814 S \* 5/2012 Yamase ..... D23/365

(Continued)

**OTHER PUBLICATIONS**

Groz 60353 Filter Regulator, Jan. 15, 2016, Amazon, site visited  
Feb. 24, 2022: <https://www.amazon.com/dp/B01AOF6XH4/> (Year:  
2016).\*

(Continued)

*Primary Examiner* — Jack Reickel

*Assistant Examiner* — Bobby W Jones, II

(74) *Attorney, Agent, or Firm* — Oblon, McClelland,  
Maier & Neustadt, L.L.P.

(57) **CLAIM**

The ornamental design for a filter, as shown and described.

**DESCRIPTION**

FIG. 1 is a front, top, and right side perspective view of a  
filter showing the new design.

FIG. 2 is a rear, bottom, and left side perspective view  
thereof.

FIG. 3 is a front elevational view thereof, the rear elevational  
view being a mirror image of the front elevational view.

FIG. 4 is a top plan view thereof.

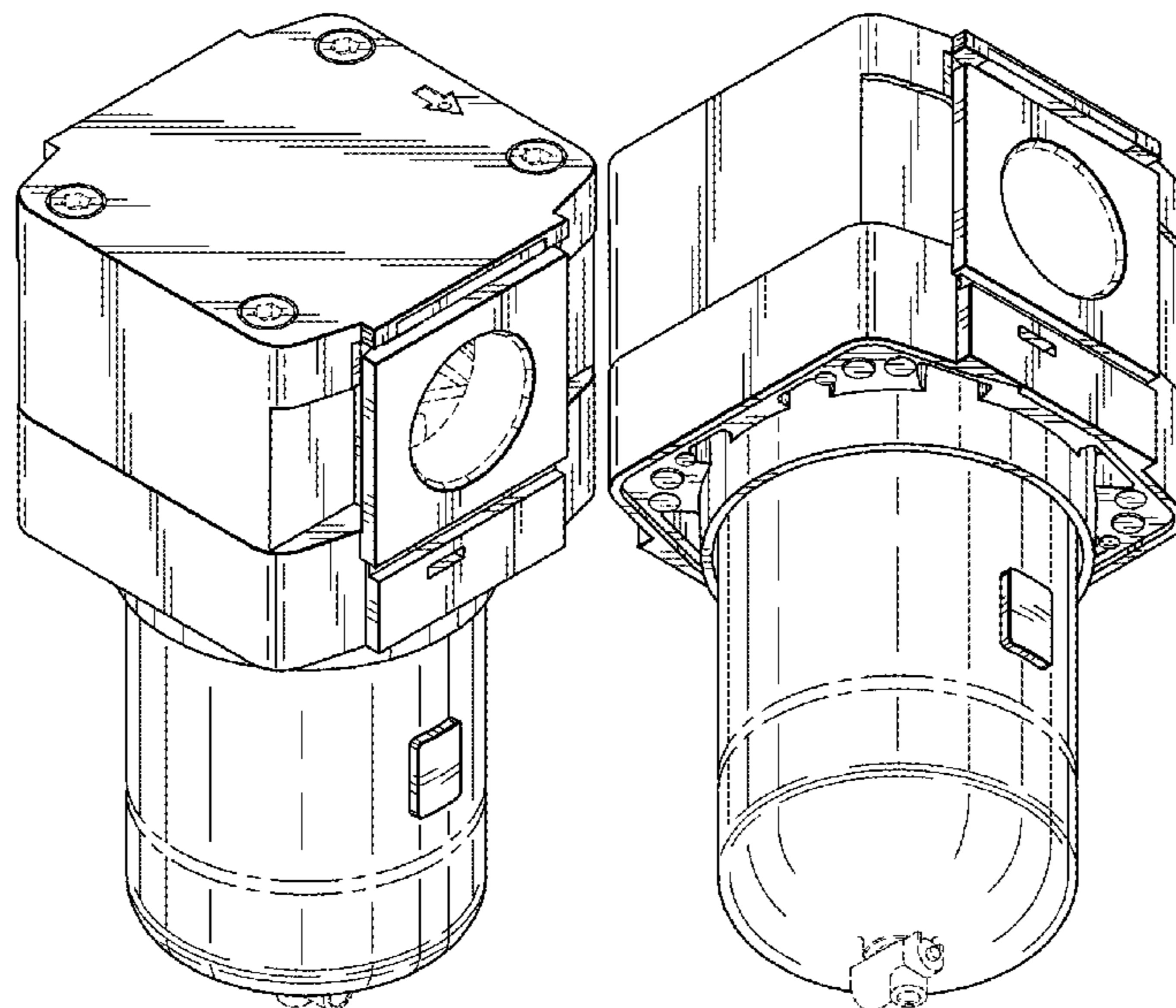
FIG. 5 is a bottom plan view thereof.

FIG. 6 is a left side elevational view thereof; and,

FIG. 7 is a right side elevational view thereof.

The evenly spaced broken lines depict portions of the filter  
that form no part of the claimed design. The filter is shown  
with a symbolic break in its length. The appearance of any  
portion of the article between the break lines forms no part  
of the claimed design.

**1 Claim, 6 Drawing Sheets**



(56)

**References Cited**

U.S. PATENT DOCUMENTS

D786,399 S \* 5/2017 Brixius ..... B01D 35/30  
D23/209  
D788,263 S \* 5/2017 Brixius ..... B01D 35/30  
D23/209  
D847,300 S \* 4/2019 Graham ..... D23/209  
D850,579 S \* 6/2019 Ito ..... D23/209  
D888,886 S \* 6/2020 Tanaka ..... D23/209  
D890,297 S \* 7/2020 Tanaka ..... D23/209  
D894,330 S \* 8/2020 Tanaka ..... D23/209  
10,738,809 B2 \* 8/2020 Ito ..... F16B 7/0466  
2003/0006097 A1 \* 1/2003 Tomita ..... F16N 7/30  
184/55.1  
2013/0180898 A1 \* 7/2013 Chajec ..... B01D 36/003  
210/85  
2014/0124054 A1 \* 5/2014 Yamase ..... B01D 36/006  
137/375

OTHER PUBLICATIONS

PneumaticPlus SAF300-N03B, Oct. 13, 2013, Amazon, site visited  
Feb. 24, 2022: <https://www.amazon.com/dp/B016LICM7S/> (Year:  
2013).\*

\* cited by examiner

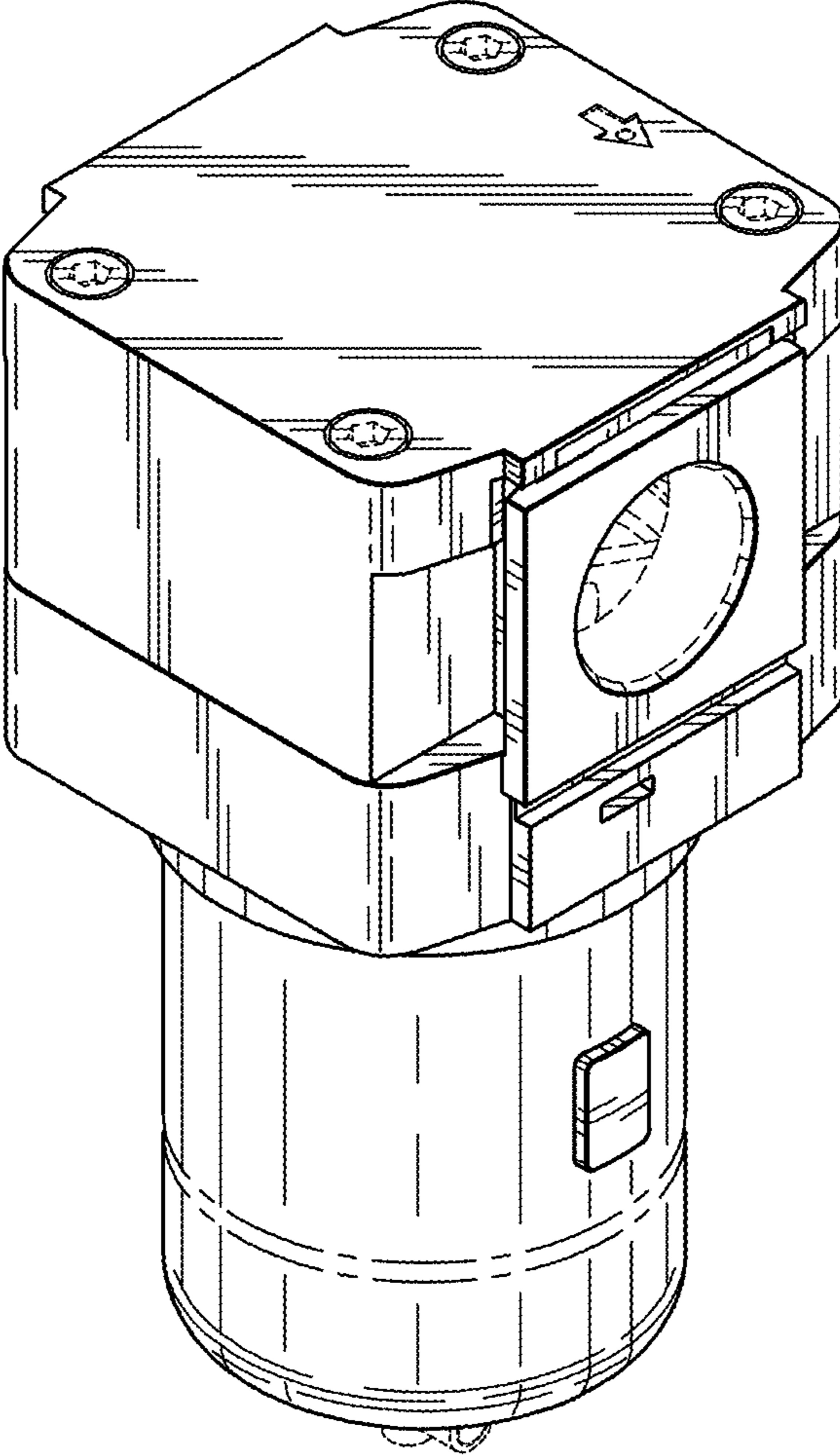


FIG.1

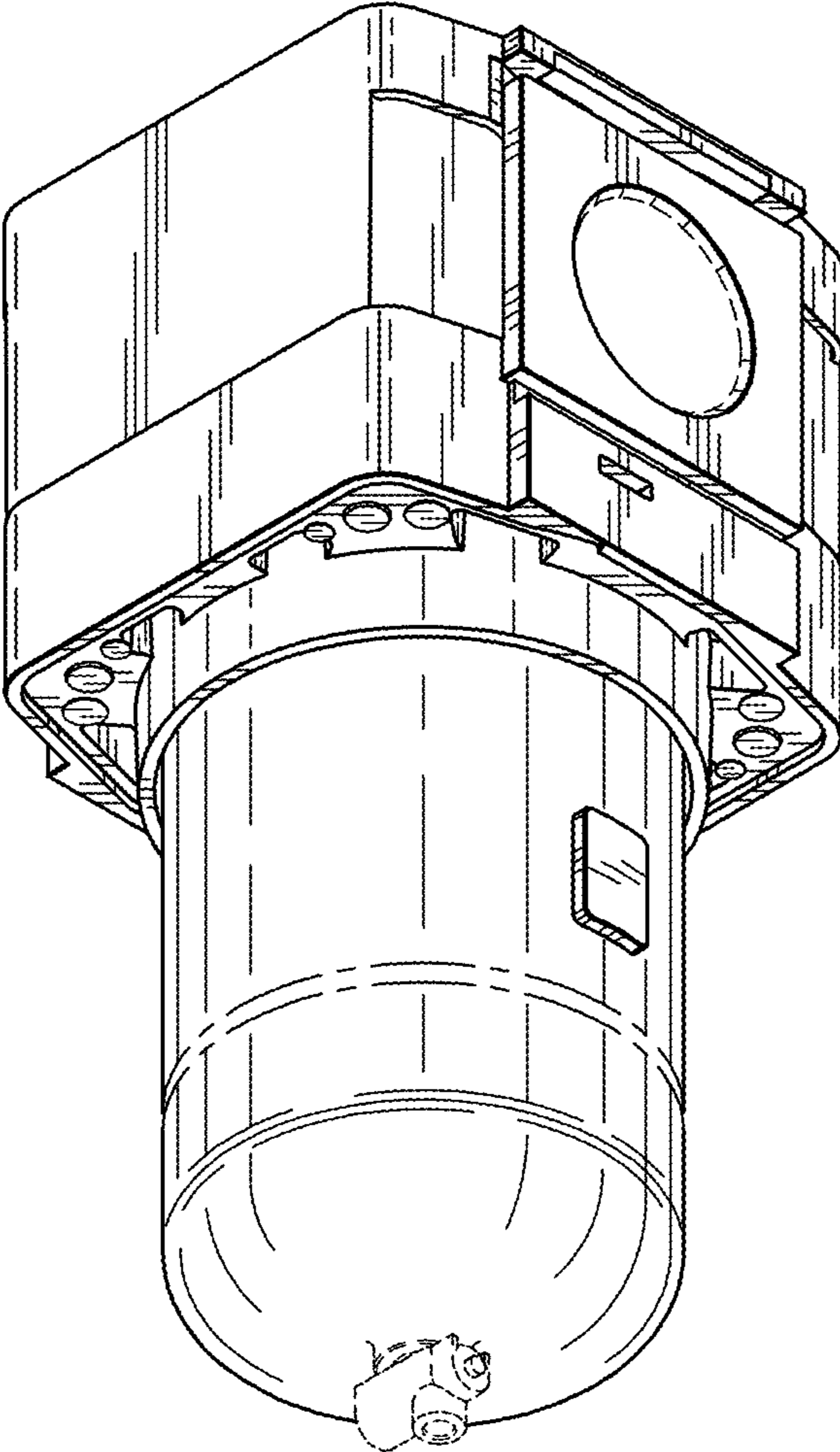


FIG.2

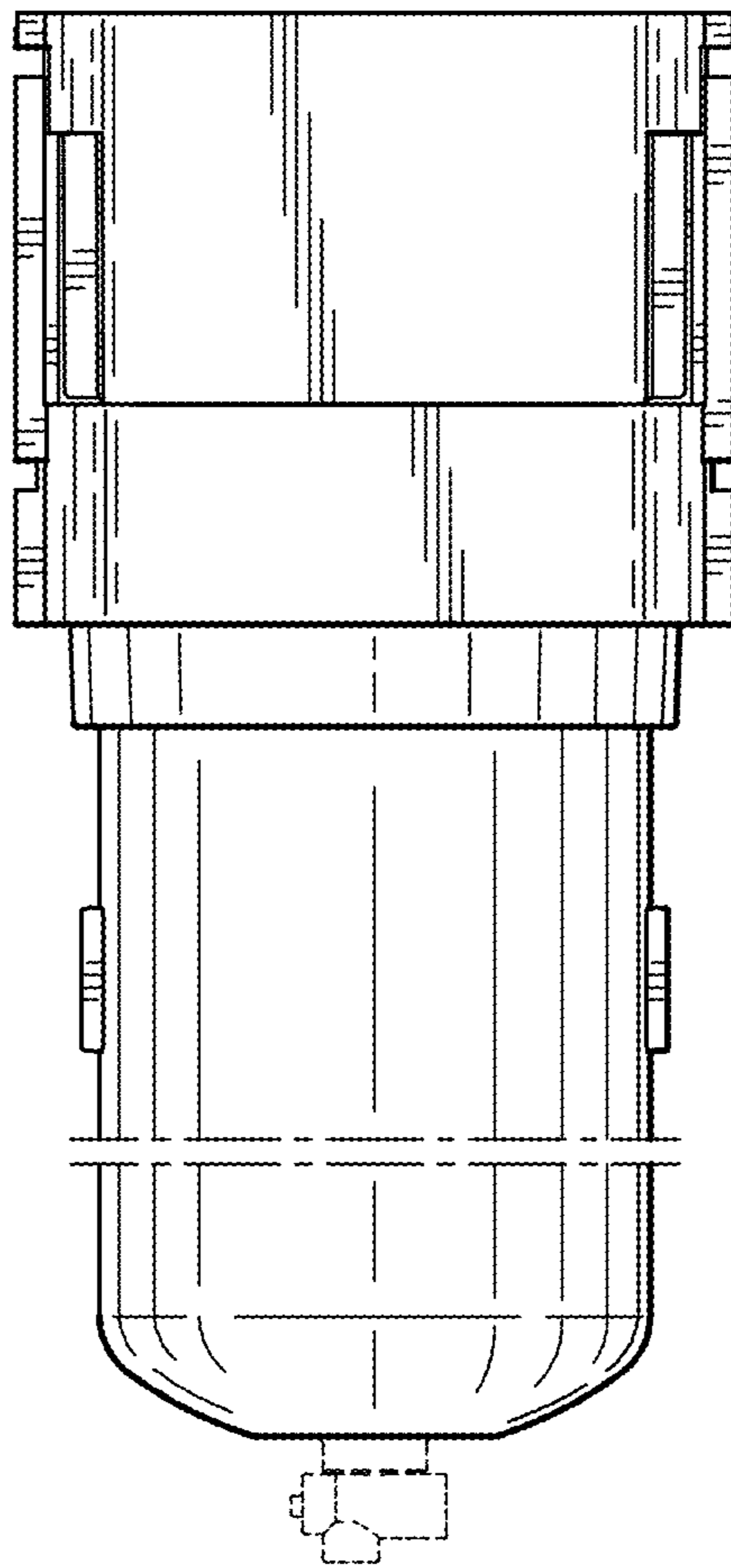


FIG. 3



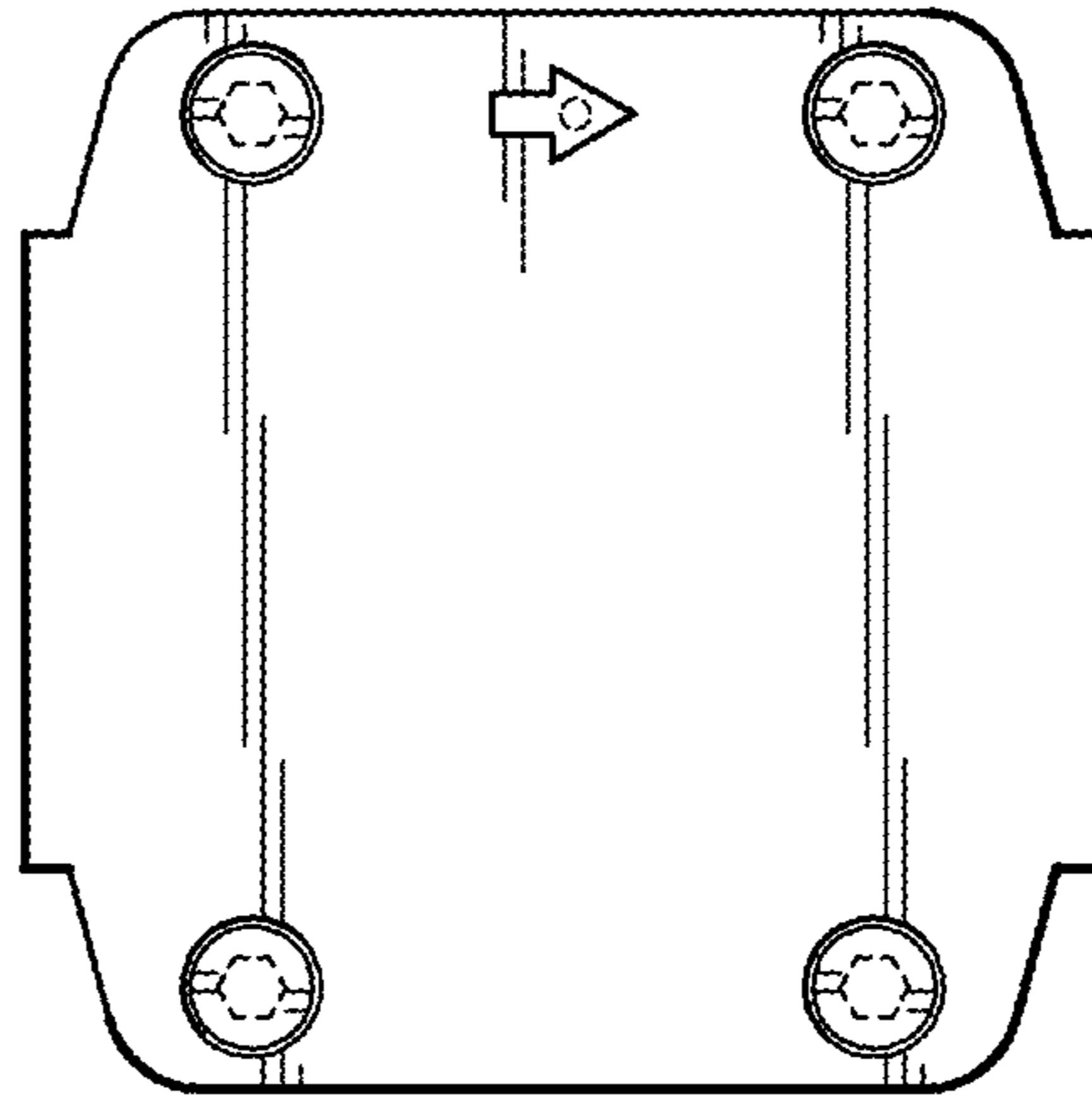


FIG. 4

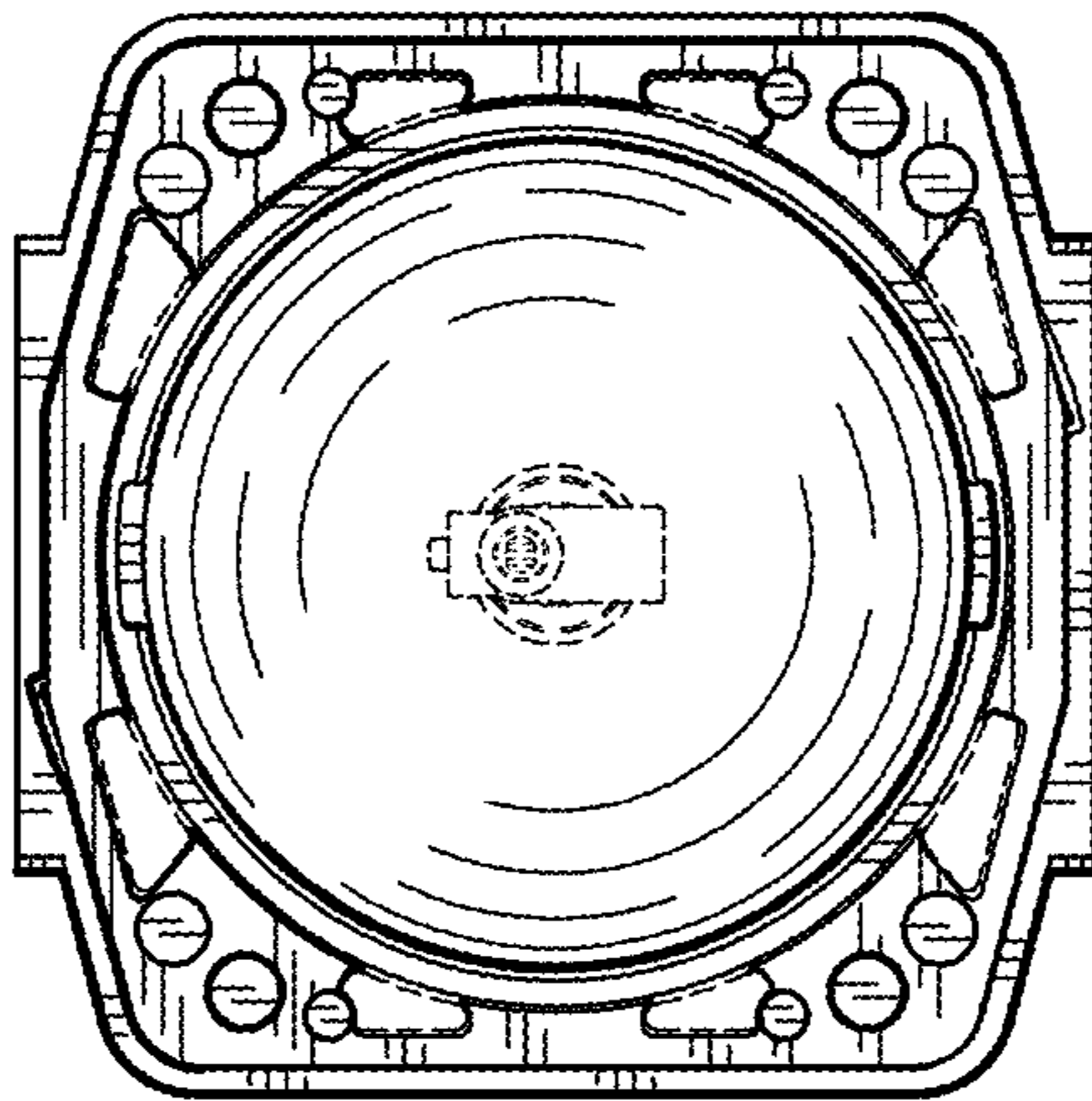


FIG. 5

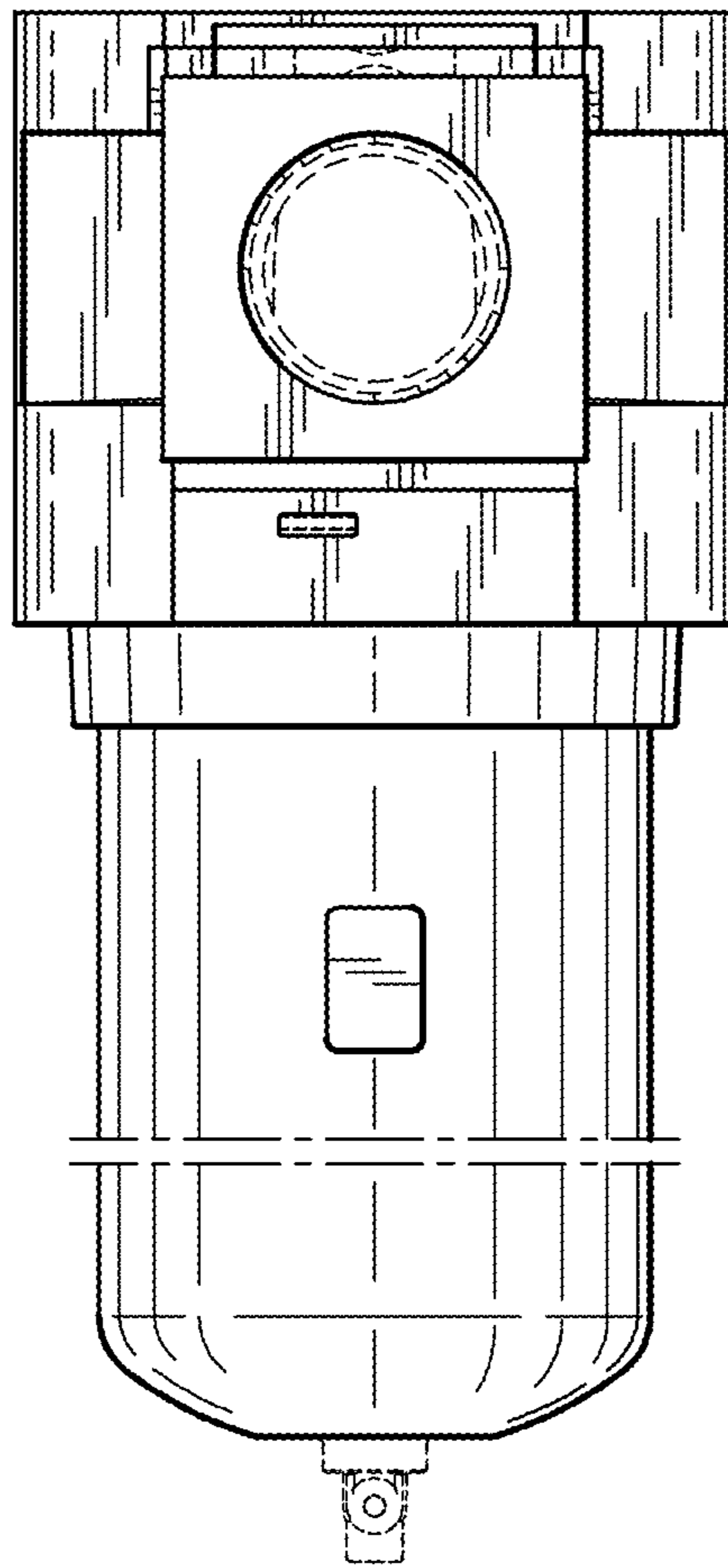


FIG. 6

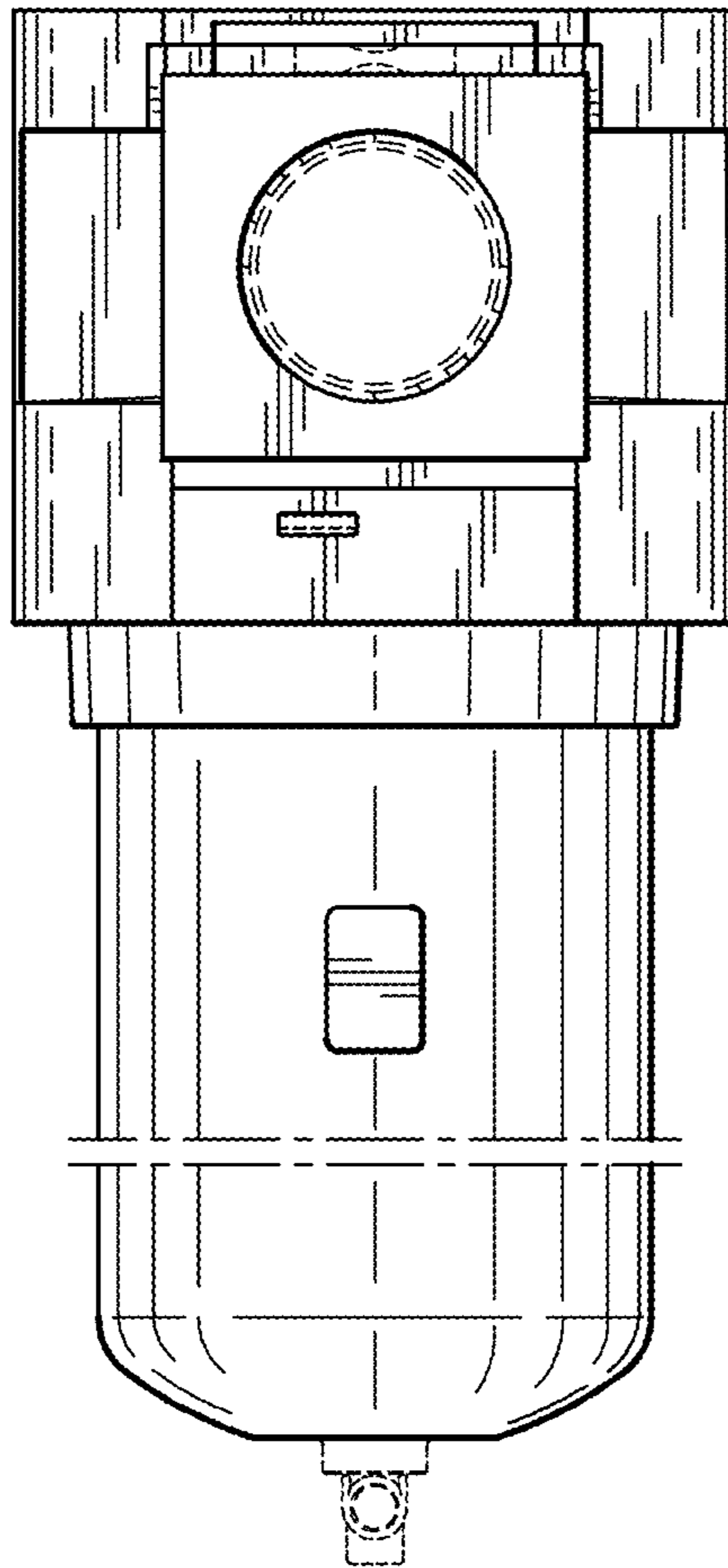


FIG. 7