



US00D965099S

(12) **United States Design Patent**
Tanaka

(10) **Patent No.:** **US D965,099 S**

(45) **Date of Patent:** **** Sep. 27, 2022**

(54) **FILTER**

(71) Applicant: **SMC CORPORATION**, Tokyo (JP)

(72) Inventor: **Takayuki Tanaka**, Tsukuba (JP)

(73) Assignee: **SMC CORPORATION**, Tokyo (JP)

(**) Term: **15 Years**

(21) Appl. No.: **29/774,375**

(22) Filed: **Mar. 16, 2021**

(30) **Foreign Application Priority Data**

Sep. 25, 2020 (JP) 2020-020421 D

(51) **LOC (13) Cl.** **23-01**

(52) **U.S. Cl.**
USPC **D23/209**

(58) **Field of Classification Search**
USPC D23/207, 209, 210, 325, 355, 363, 365;
D24/162
CPC B01D 27/00; B01D 27/08; B01D 29/00;
B01D 35/303; B01D 2201/306; B01D
2201/309; B01D 2221/02; C02F 1/002;
C02F 1/003; C02F 9/005; C02F 2307/02;
C02F 2307/04; C02F 2307/10
See application file for complete search history.

(56) **References Cited**

U.S. PATENT DOCUMENTS

D234,357 S *	2/1975	Humphrey	D23/209
D234,843 S *	4/1975	Taylor	D23/209
D236,264 S *	8/1975	Taylor	D23/209
D236,265 S *	8/1975	Dussardier	D23/209
D295,674 S *	5/1988	Ogasawara	D23/365
4,774,853 A *	10/1988	Takahashi	B01D 46/009 210/167.02
D301,914 S *	6/1989	Ogasawara	D23/209
D317,315 S *	6/1991	Miyake	D23/209

D317,346 S *	6/1991	Ito	D23/209
D331,961 S *	12/1992	Ridolfi	D23/365
5,636,655 A *	6/1997	Kawamura	F16T 1/24 137/181
D400,211 S *	10/1998	Thallemer	D15/7
D659,814 S *	5/2012	Yamase	D23/365

(Continued)

OTHER PUBLICATIONS

Groz 60353 Filter Regulator, Jan. 15, 2016, Amazon, site visited Feb. 24, 2022: <https://www.amazon.com/dp/B01AOF6XH4/> (Year: 2016).*

(Continued)

Primary Examiner — Jack Reickel
Assistant Examiner — Bobby W Jones, II
(74) *Attorney, Agent, or Firm* — Oblon, McClelland,
Maier & Neustadt, L.L.P.

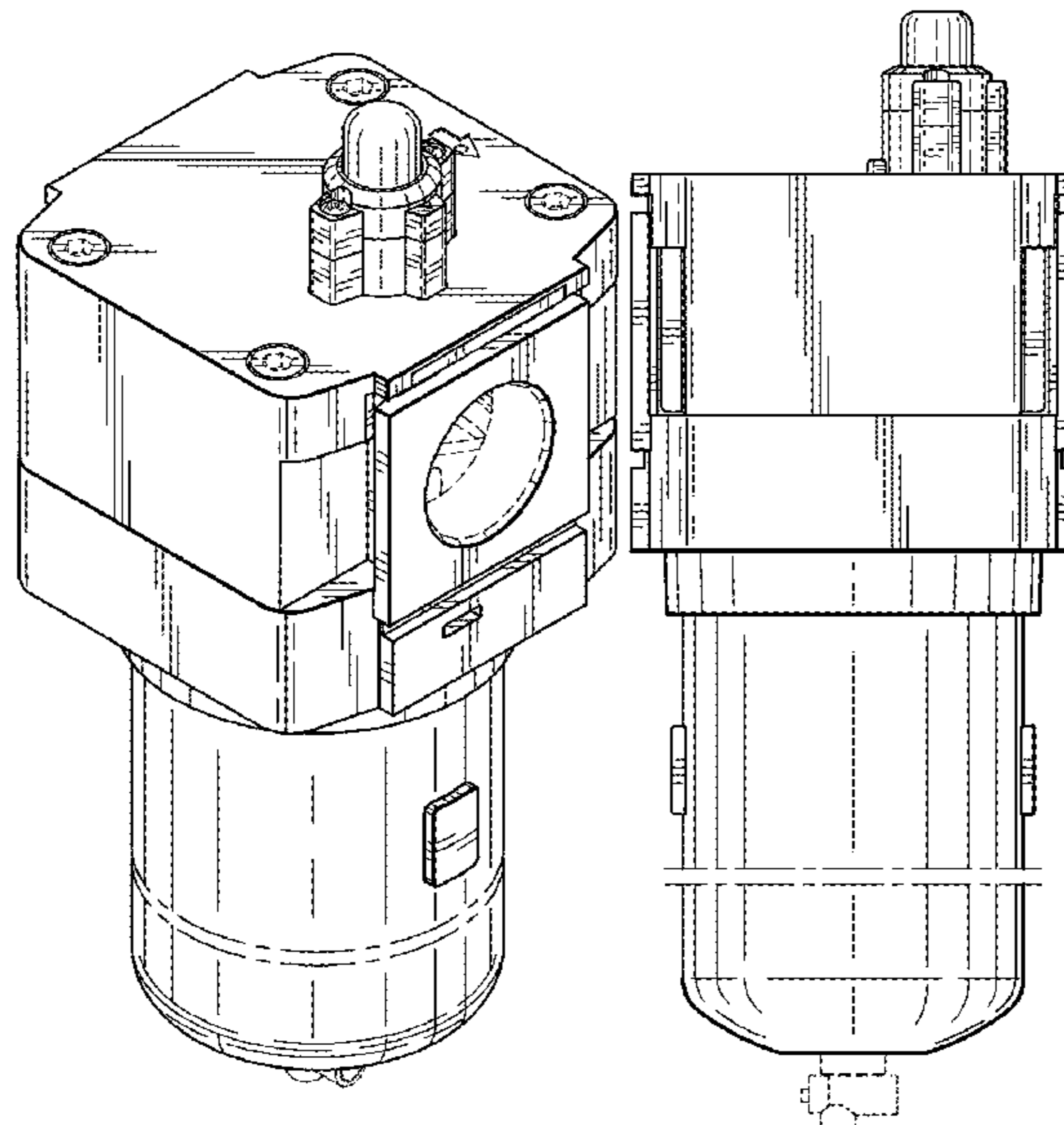
(57) **CLAIM**

The ornamental design for a filter, as shown and described.

DESCRIPTION

FIG. 1 is a front, top, and right side perspective view of a filter showing the new design.
FIG. 2 is a rear, bottom, and left side perspective view thereof.
FIG. 3 is a front elevational view thereof, the rear elevational view being a mirror image of the front elevational view.
FIG. 4 is a top plan view thereof.
FIG. 5 is a bottom plan view thereof.
FIG. 6 is a left side elevational view thereof; and,
FIG. 7 is a right side elevational view thereof.
The evenly spaced broken lines depict portions of the filter that form no part of the claimed design. The filter is shown with a symbolic break in its length. The appearance of any portion of the article between the break lines forms no part of the claimed design.

1 Claim, 6 Drawing Sheets



(56)

References Cited

U.S. PATENT DOCUMENTS

D786,399 S * 5/2017 Brixius B01D 35/30
D23/209
D788,263 S * 5/2017 Brixius B01D 35/30
D23/209
D847,300 S * 4/2019 Graham D23/209
D850,579 S * 6/2019 Ito D23/209
D888,886 S * 6/2020 Tanaka D23/209
D890,297 S * 7/2020 Tanaka D23/209
D894,330 S * 8/2020 Tanaka D23/209
10,738,809 B2 * 8/2020 Ito F16B 7/0466
2003/0006097 A1 * 1/2003 Tomita F16N 7/30
184/55.1
2013/0180898 A1 * 7/2013 Chajec B01D 36/003
210/85
2014/0124054 A1 * 5/2014 Yamase B01D 36/006
137/375

OTHER PUBLICATIONS

PneumaticPlus SAF300-N03B, Oct. 13, 2013, Amazon, site visited
Feb. 24, 2022: <https://www.amazon.com/dp/B016LICM7S/> (Year:
2013).*

* cited by examiner

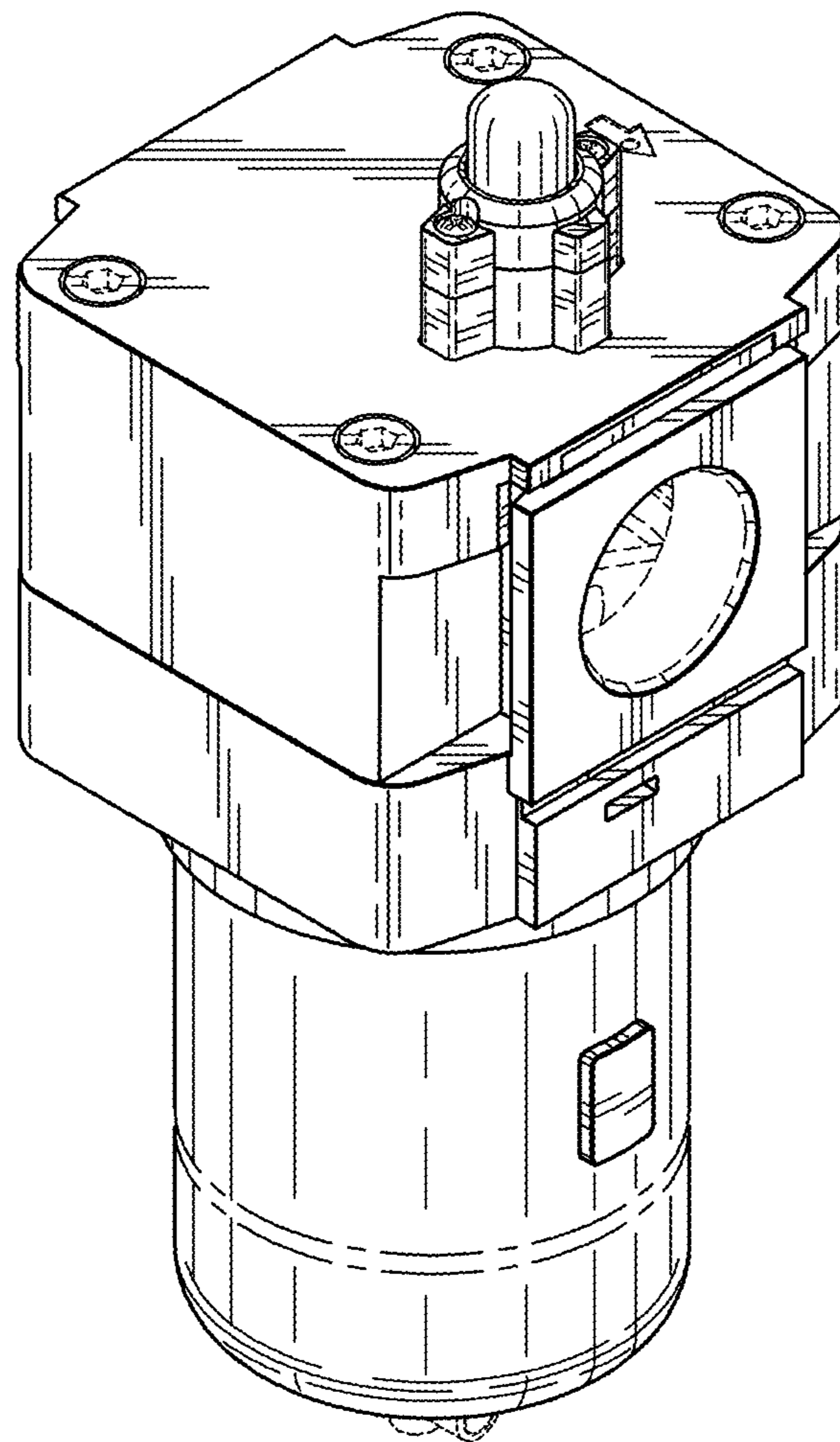


FIG. 1

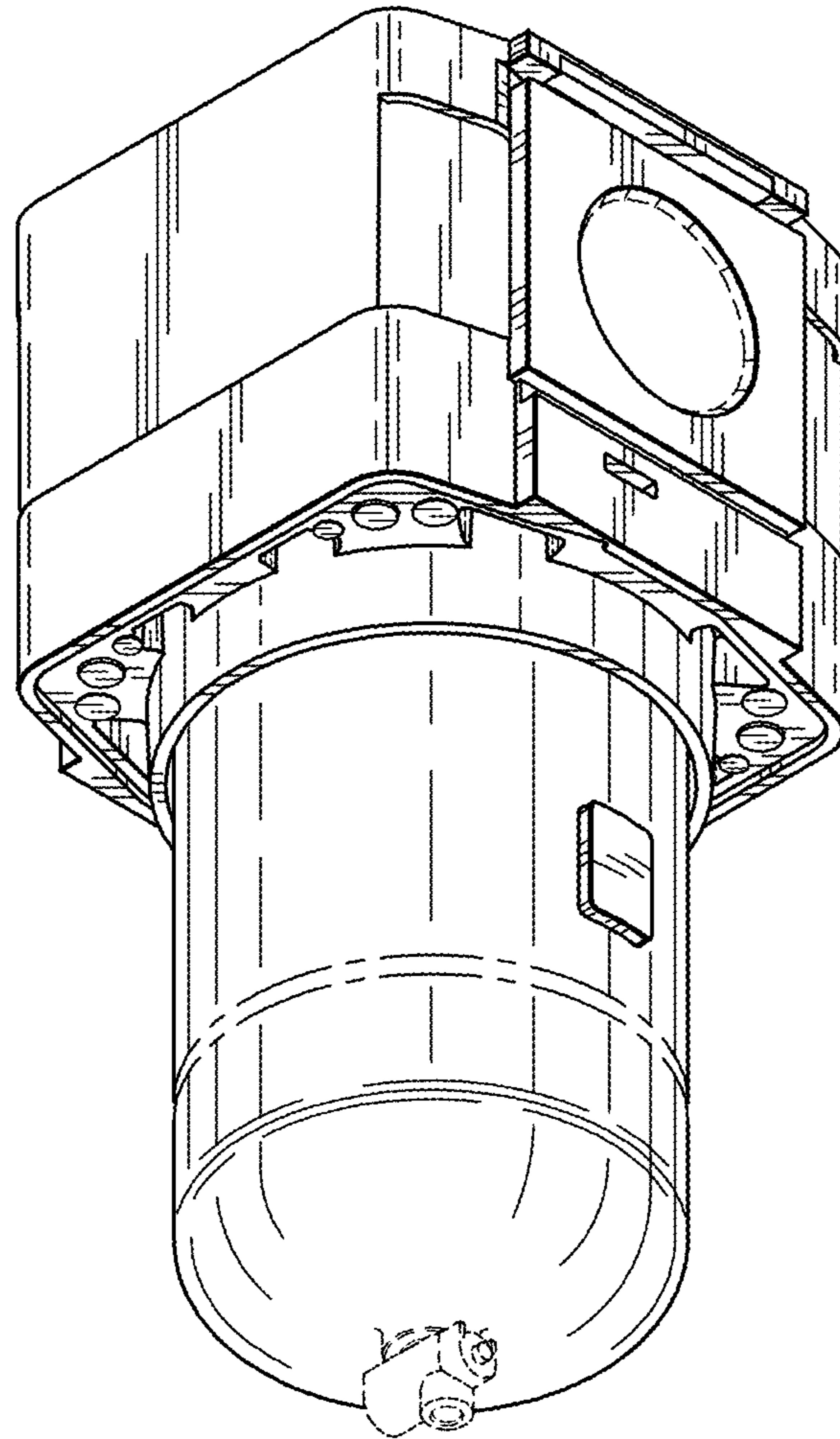


FIG. 2

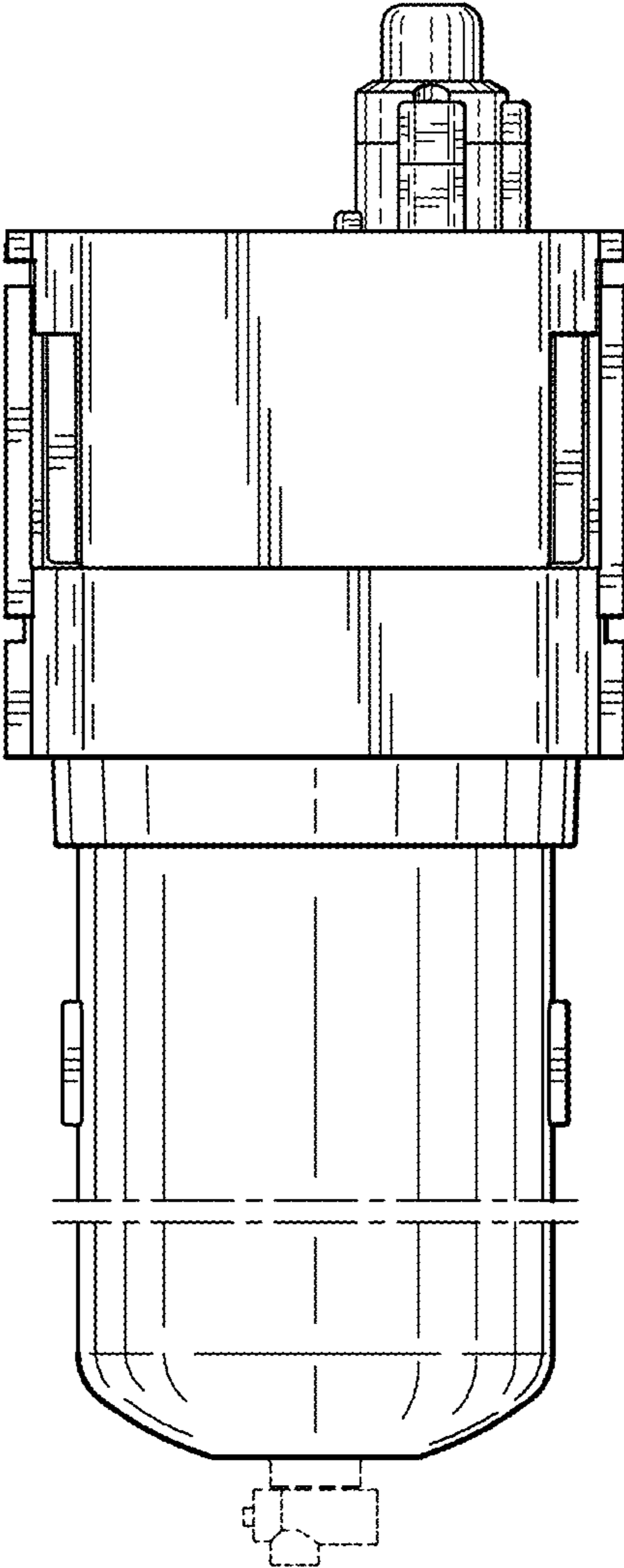


FIG. 3

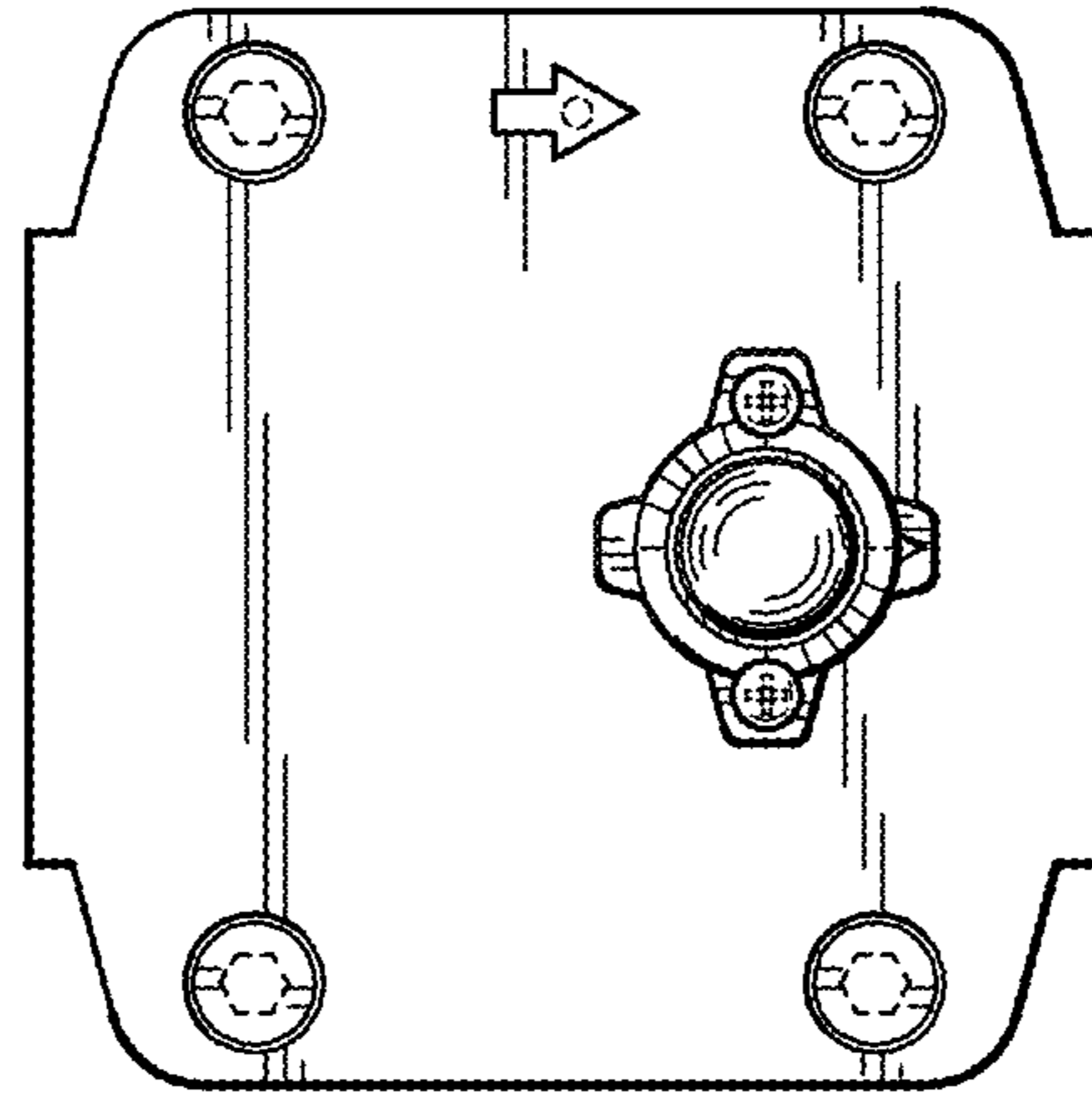


FIG. 4

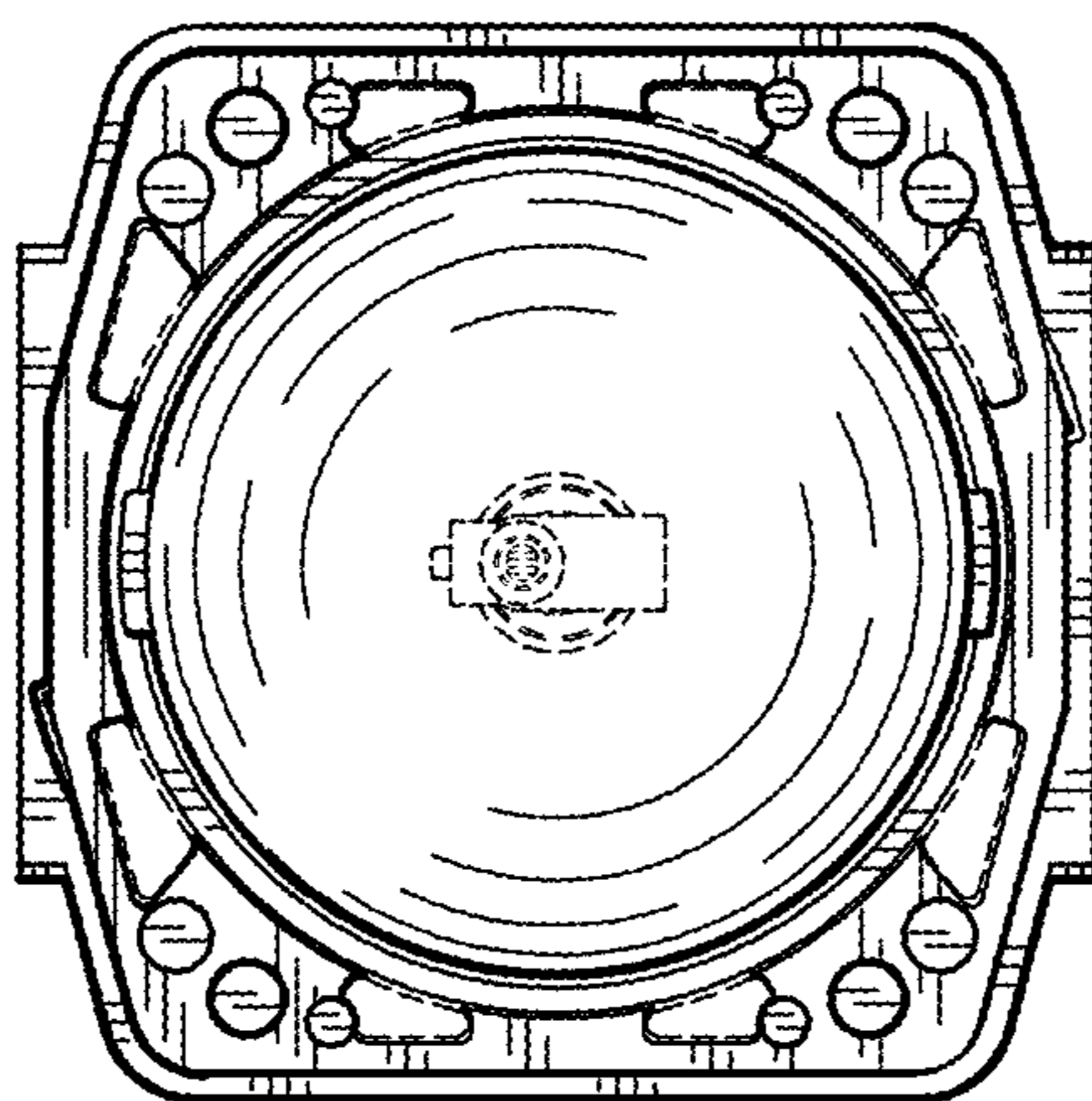


FIG. 5

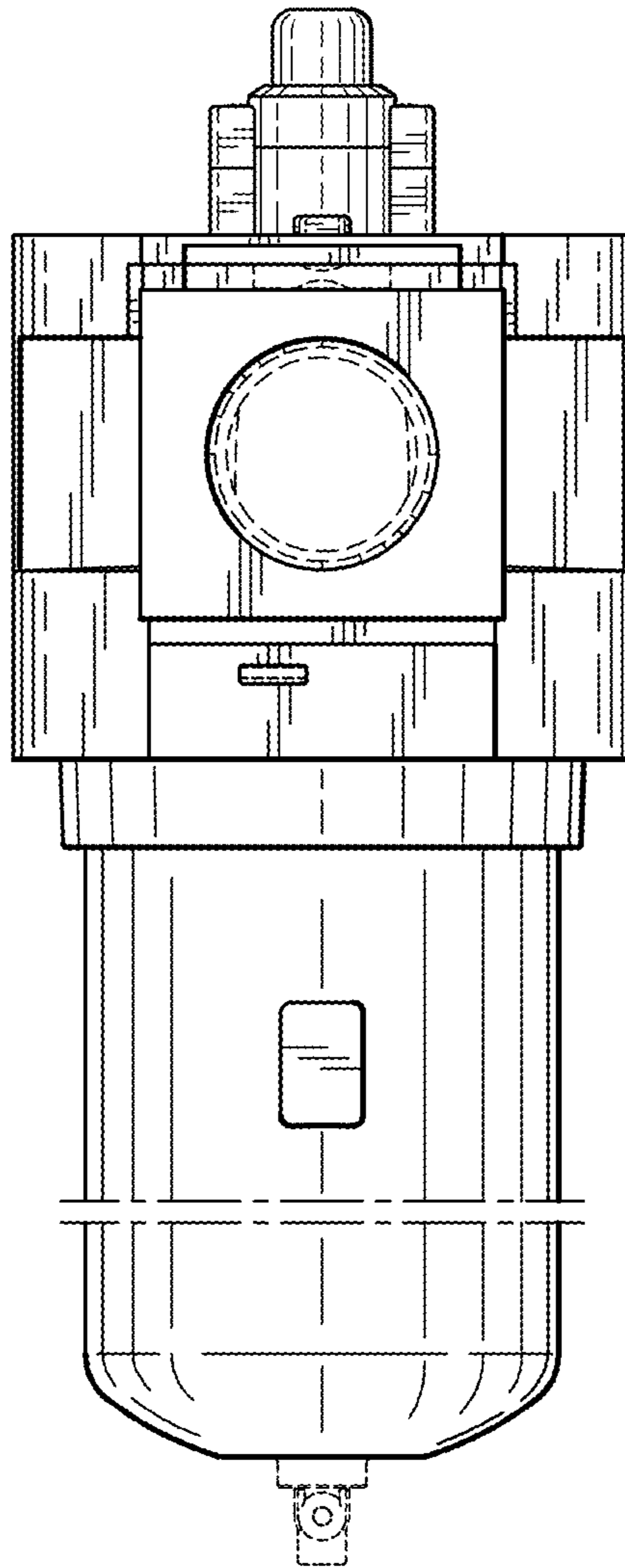


FIG. 6

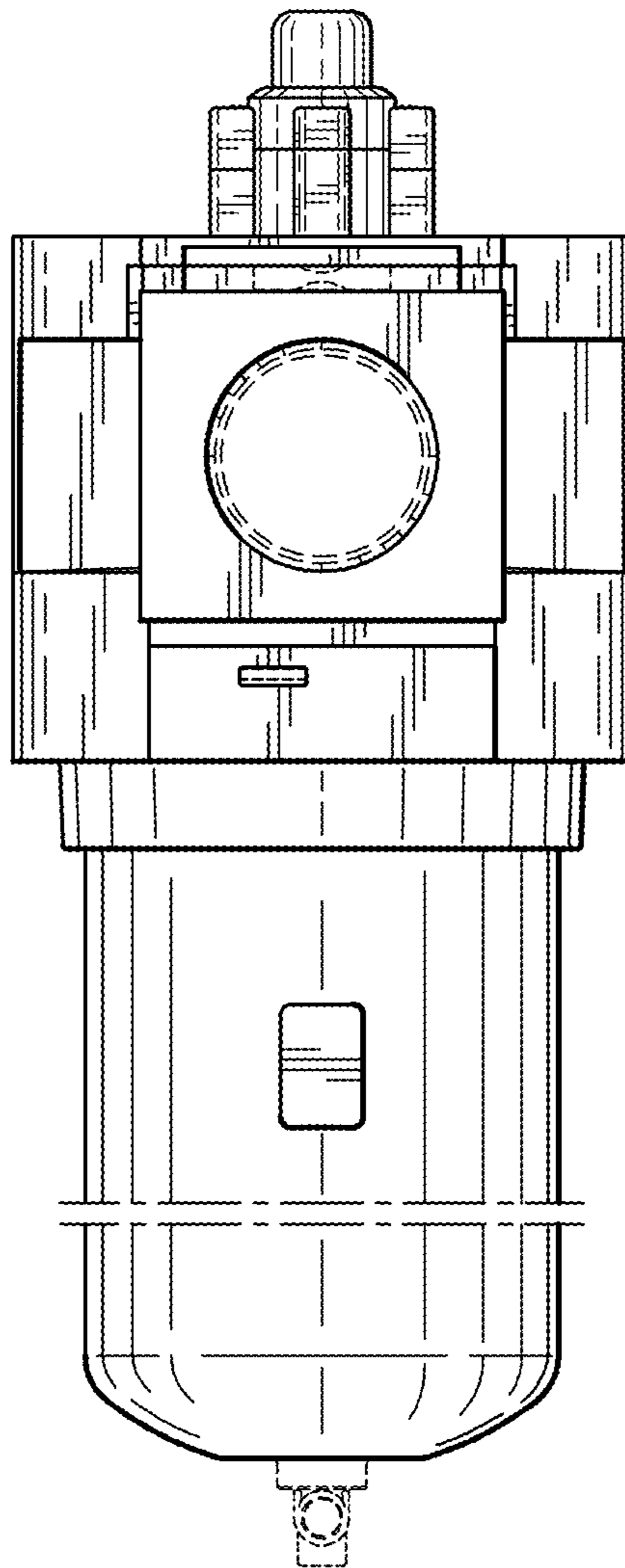


FIG. 7