



US00D965098S

(12) **United States Design Patent** (10) **Patent No.:** **US D965,098 S**  
**Yang** (45) **Date of Patent:** **\*\* Sep. 27, 2022**

- (54) **FOG MACHINE**
- (71) Applicant: **Shenzhen Wanbaiwan E-commerce Co., Ltd., Guangdong (CN)**
- (72) Inventor: **Ruishi Yang, Guangdong (CN)**
- (73) Assignee: **Shenzhen Wanbaiwan E-commerce Co., Ltd., Guangdong (CN)**
- (\*\*) Term: **15 Years**
- (21) Appl. No.: **29/798,936**
- (22) Filed: **Jul. 12, 2021**
- (51) **LOC (13) Cl.** ..... **23-01**
- (52) **U.S. Cl.**  
USPC ..... **D23/200**
- (58) **Field of Classification Search**  
USPC ..... D15/122, 135, 199; D23/200, 213, D23/355-365  
CPC ... A61L 9/02; A61L 9/03; A61L 9/012; A61L 9/015; A61L 9/037; F24F 11/62; F24F 7/08  
See application file for complete search history.

- D937,912 S \* 12/2021 Reches ..... D15/122
- D945,584 S \* 3/2022 Li ..... D23/359
- D947,986 S \* 4/2022 Wang ..... D23/200
- D950,614 S \* 5/2022 Kida ..... D10/46
- D952,008 S \* 5/2022 Schmitt ..... D15/122
- 2003/0202785 A1\* 10/2003 Monitto ..... A63J 5/025 392/405

(Continued)

*Primary Examiner* — Karen S Acker  
*Assistant Examiner* — Jonathan E Fiencke  
(74) *Attorney, Agent, or Firm* — ScienBiziP, P.C.

(57) **CLAIM**

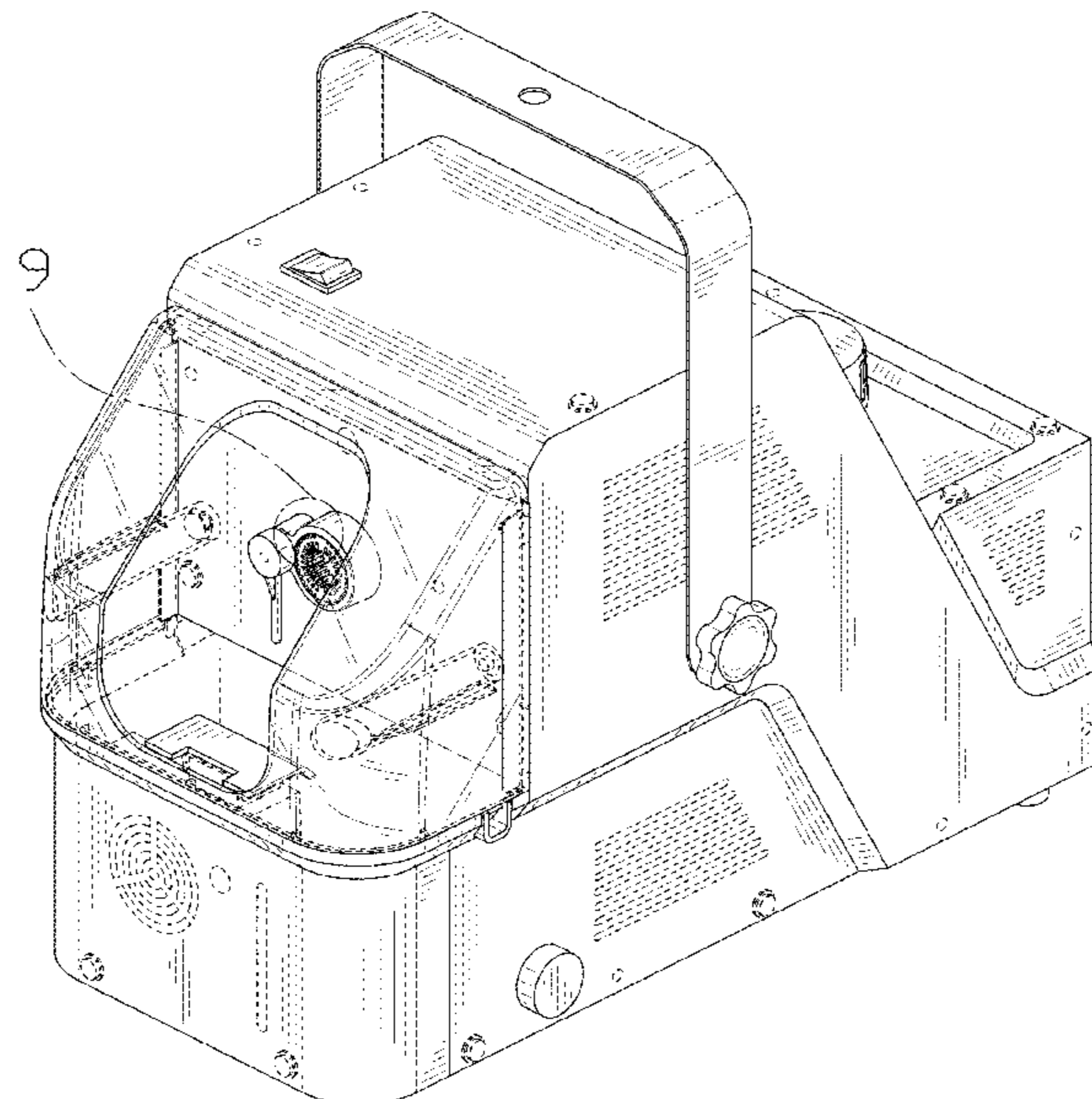
The ornamental design for a fog machine, as shown and described.

**DESCRIPTION**

FIG. 1 is a front, right, and top perspective view of a fog machine, showing my design.  
 FIG. 2 is a rear, left, and bottom perspective view thereof.  
 FIG. 3 is a front elevation view thereof.  
 FIG. 4 is a rear elevation view thereof.  
 FIG. 5 is a left side elevation view thereof.  
 FIG. 6 is a right side elevation view thereof.  
 FIG. 7 is a top plan view thereof.  
 FIG. 8 is a bottom plan view thereof.  
 FIG. 9 is an enlarged detail view of area 9 circumscribed within FIG. 1.  
 FIG. 10 is an enlarged detail view of area 10 circumscribed within FIG. 2; and,  
 FIG. 11 is an enlarged detail view of area 11 circumscribed within FIG. 3.  
 The broken lines and areas within them depict portions of the fog machine that form no part of the claimed design. The dot dash dot broken lines depict the boundaries of the detail areas and form no part of the claimed design. The oblique shading lines in the drawings are included to depict the transparent quality of surface planes on the fog machine.

**1 Claim, 11 Drawing Sheets**

- (56) **References Cited**  
U.S. PATENT DOCUMENTS
- D612,035 S \* 3/2010 Borgi ..... A63H 33/28 D23/355
- D627,855 S \* 11/2010 Ito ..... A63J 5/025 D23/200
- D696,760 S \* 12/2013 Wolf, II ..... D23/364
- D699,318 S \* 2/2014 Hung
- D866,738 S \* 11/2019 Cui ..... A63J 5/025 D23/359
- D886,973 S \* 6/2020 Miyawaki ..... D23/356
- D907,740 S \* 1/2021 Xu
- 10,981,079 B1 \* 4/2021 Goepfert ..... A63J 5/025
- D923,766 S \* 6/2021 Huang ..... D23/356
- D934,926 S \* 11/2021 Hong ..... D15/122



(56)

**References Cited**

U.S. PATENT DOCUMENTS

2019/0321744 A1\* 10/2019 Xu ..... A63J 5/025  
2020/0197828 A1\* 6/2020 Yang ..... A63H 33/28

\* cited by examiner

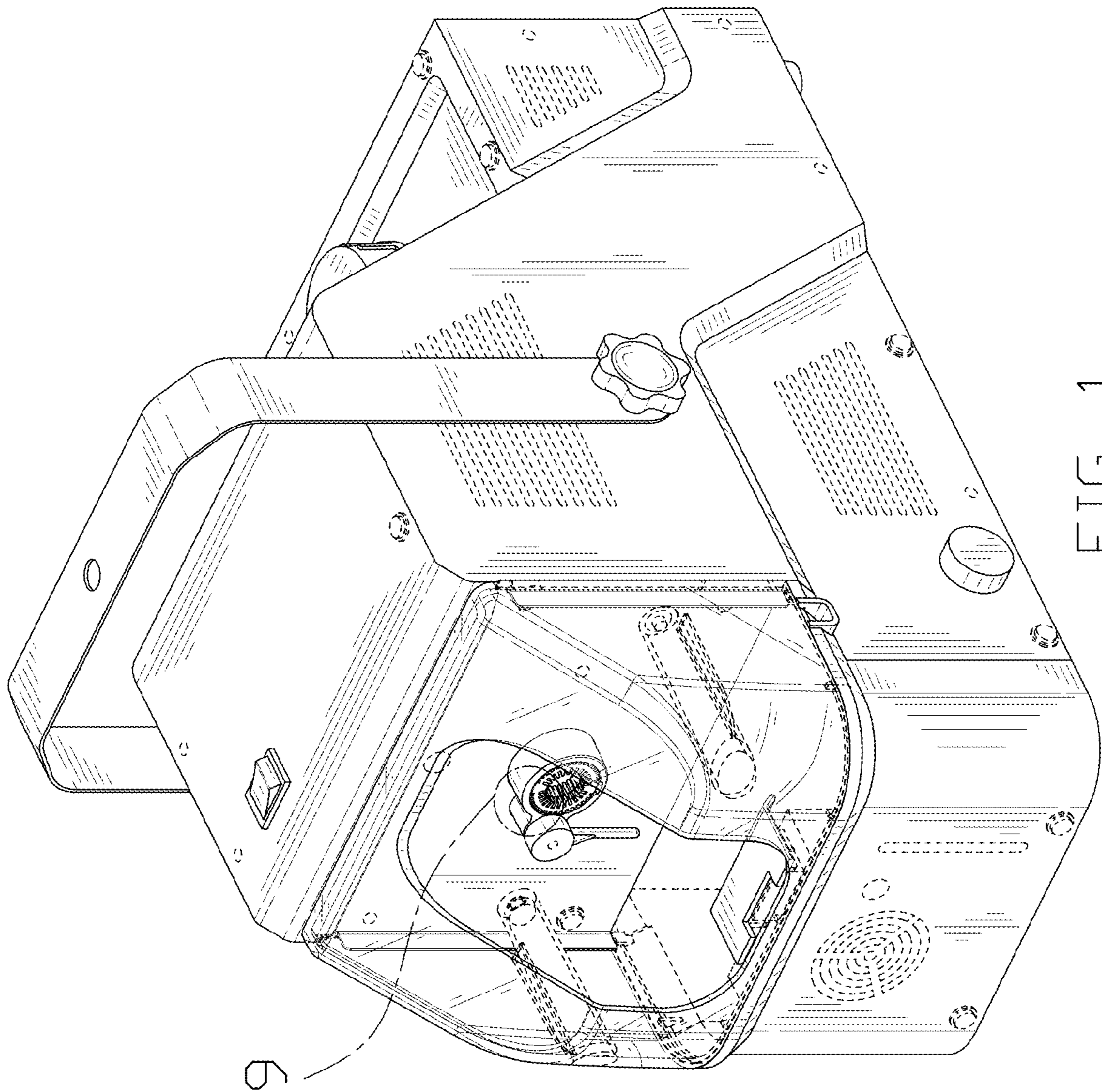
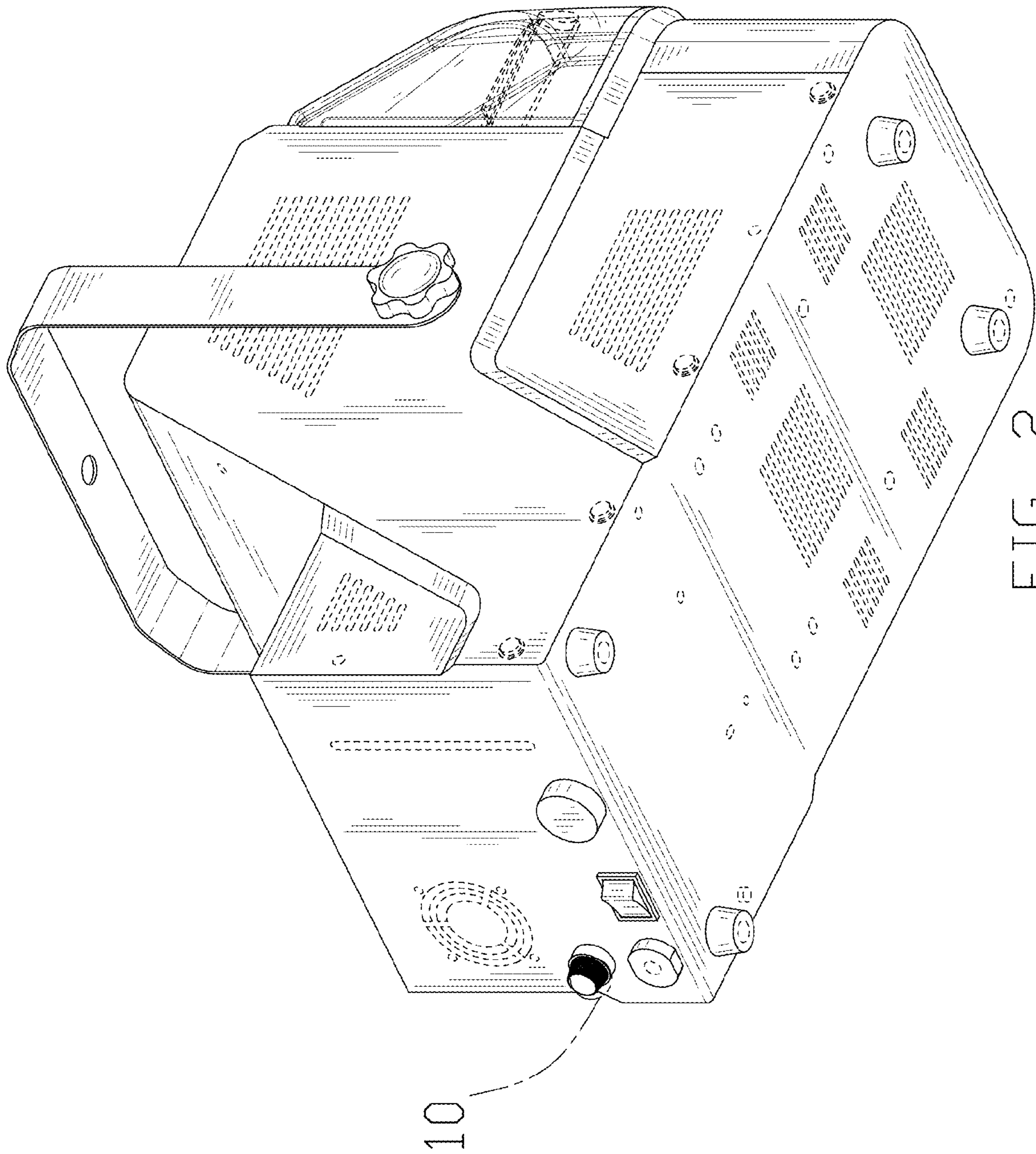
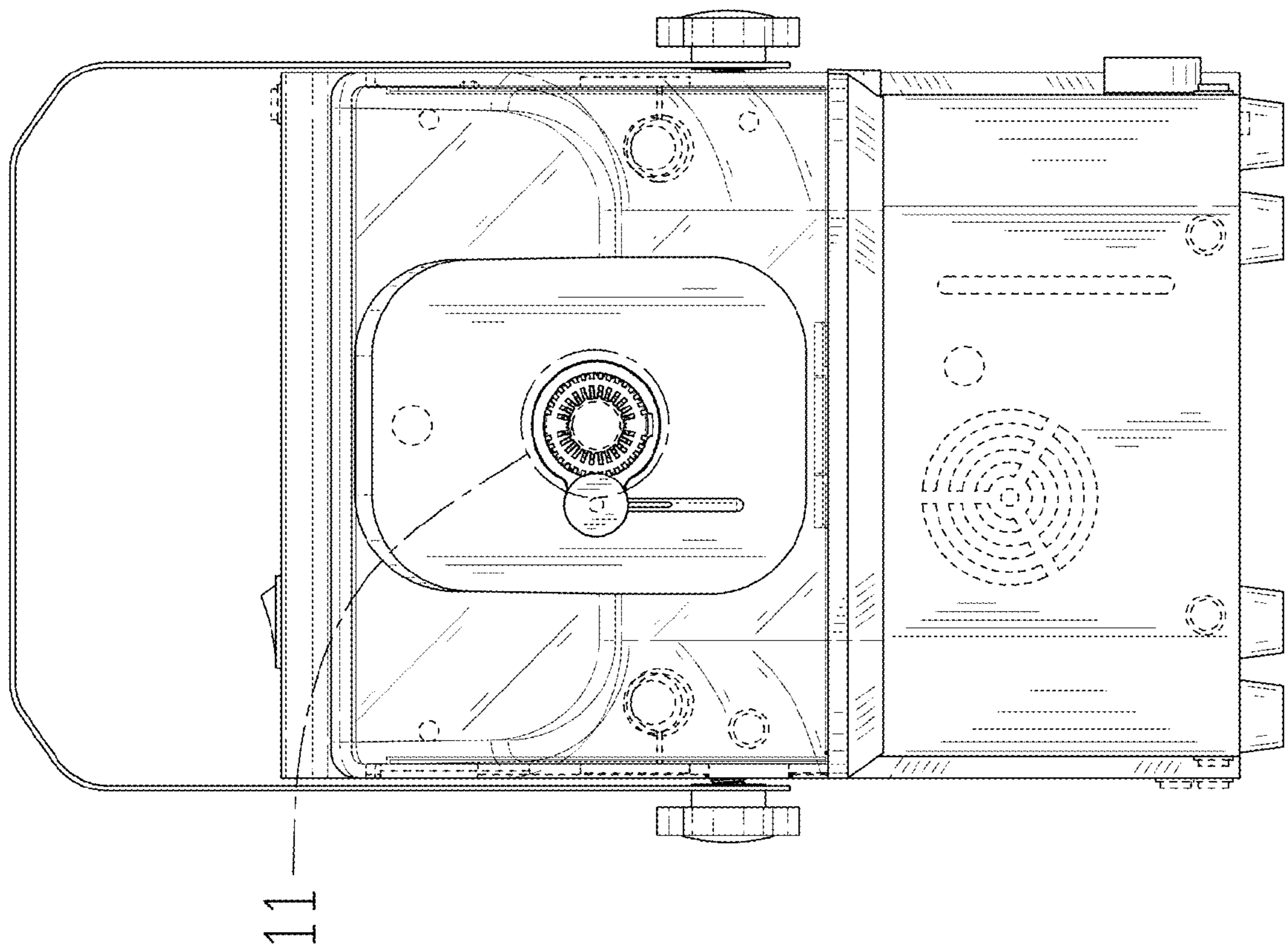


FIG. 1







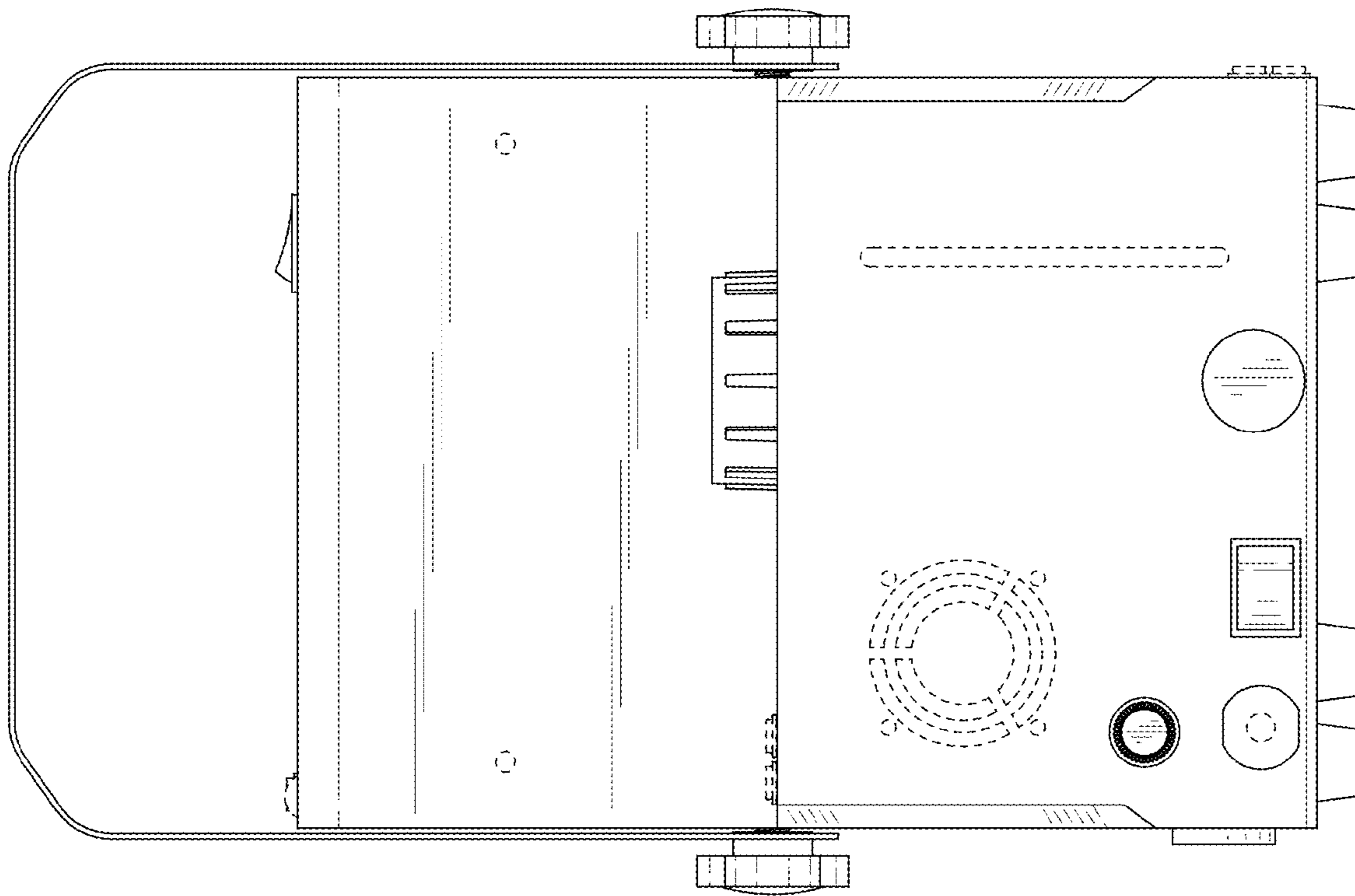


FIG. 4

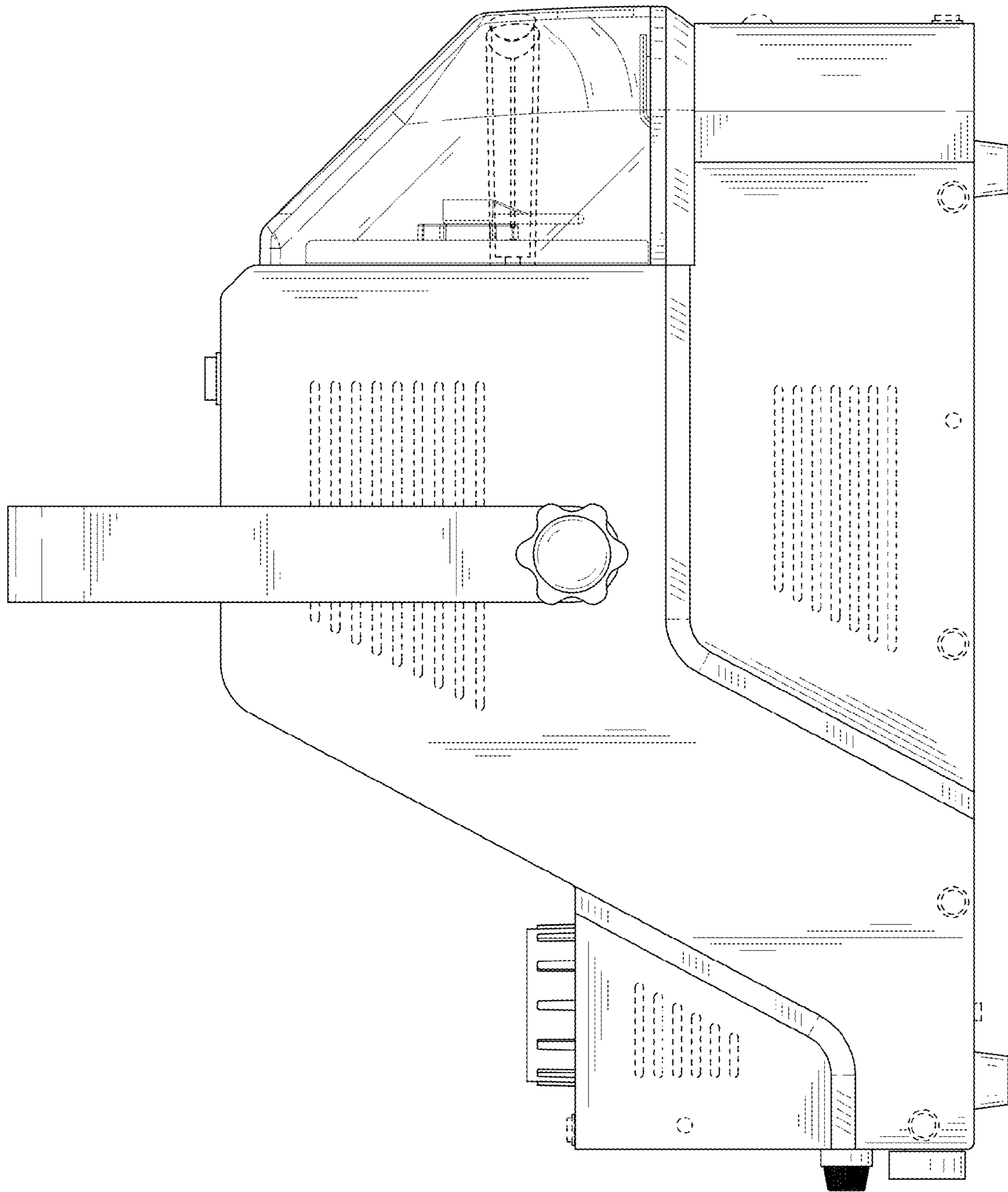


FIG. 5

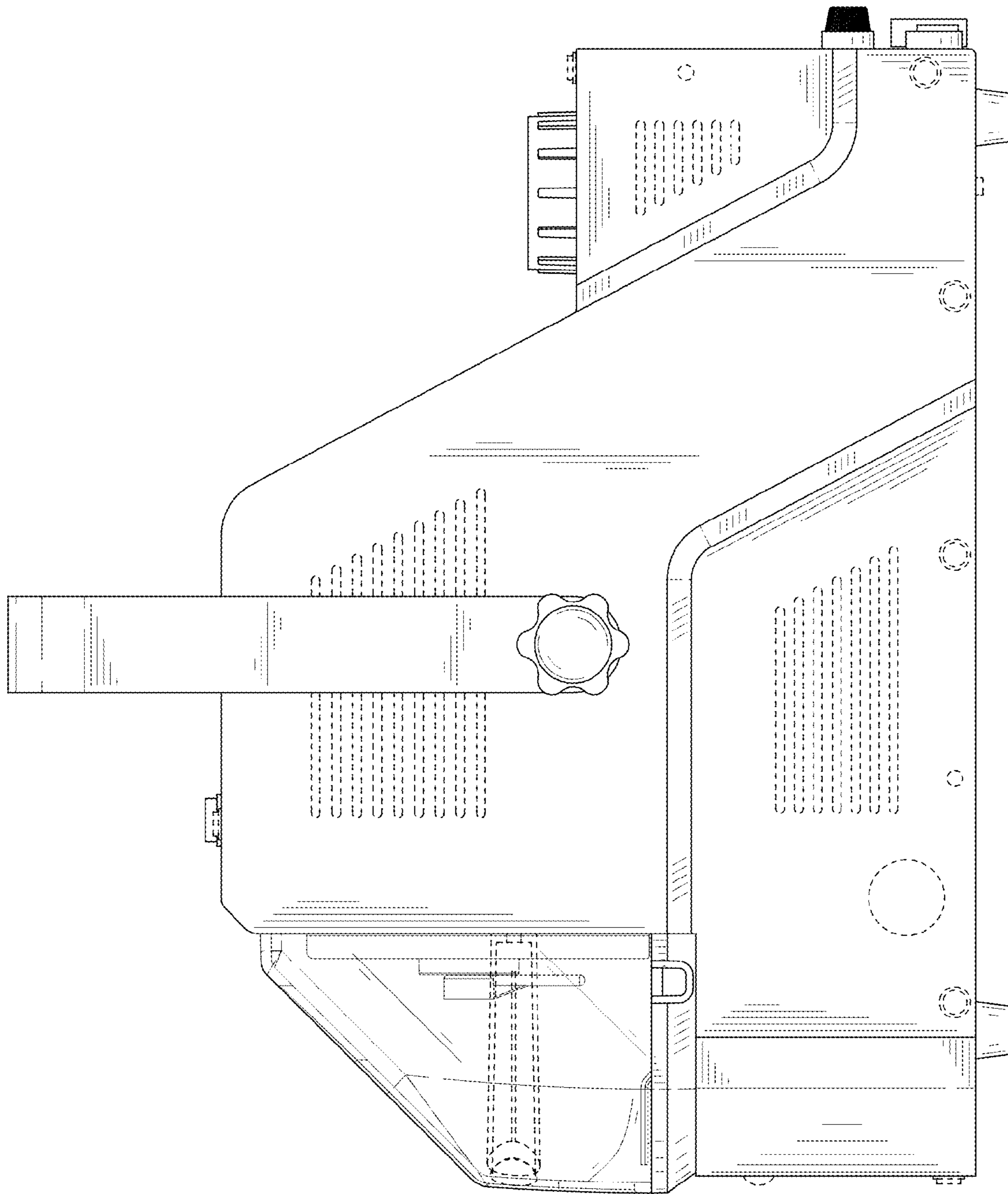


FIG. 6



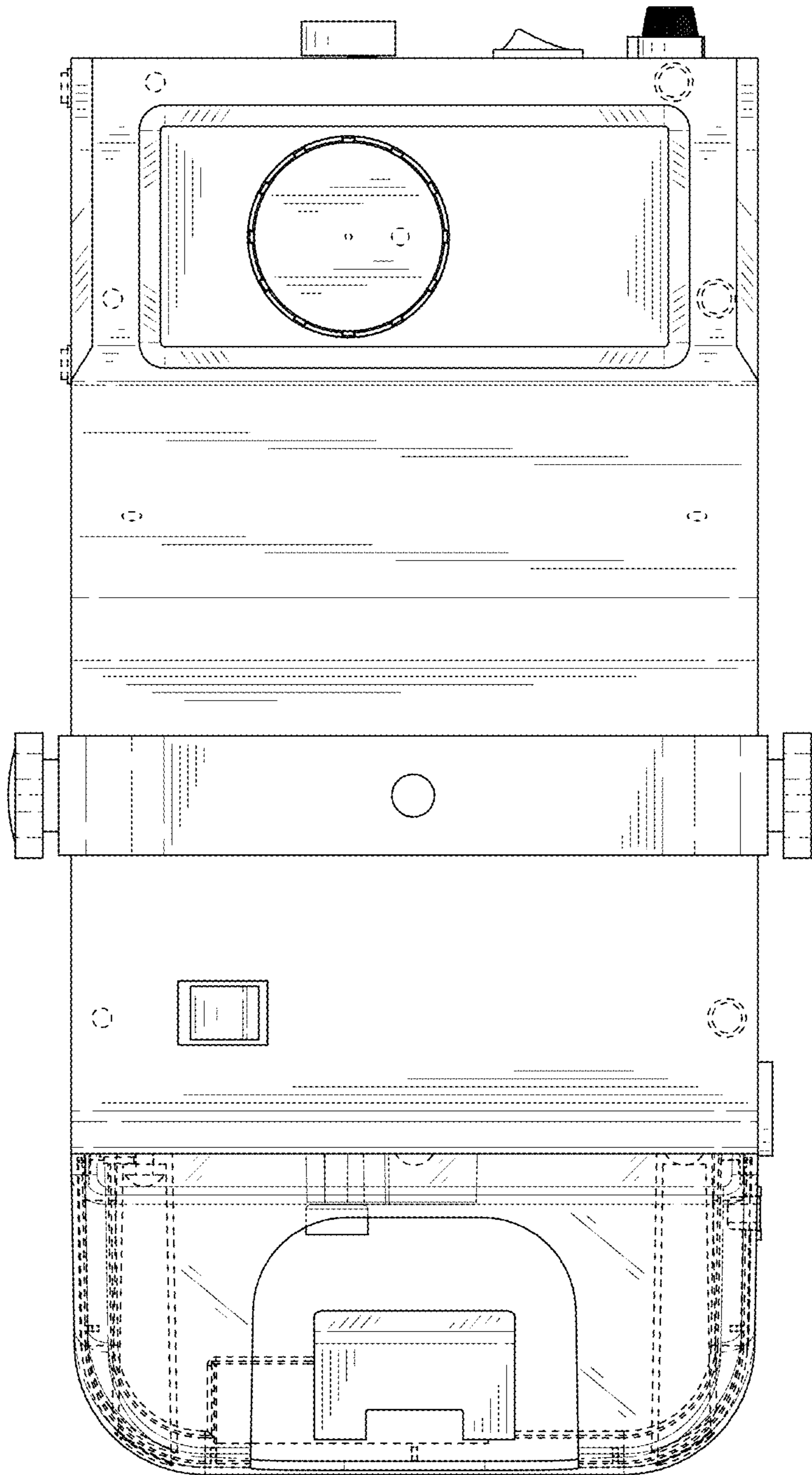


FIG. 7

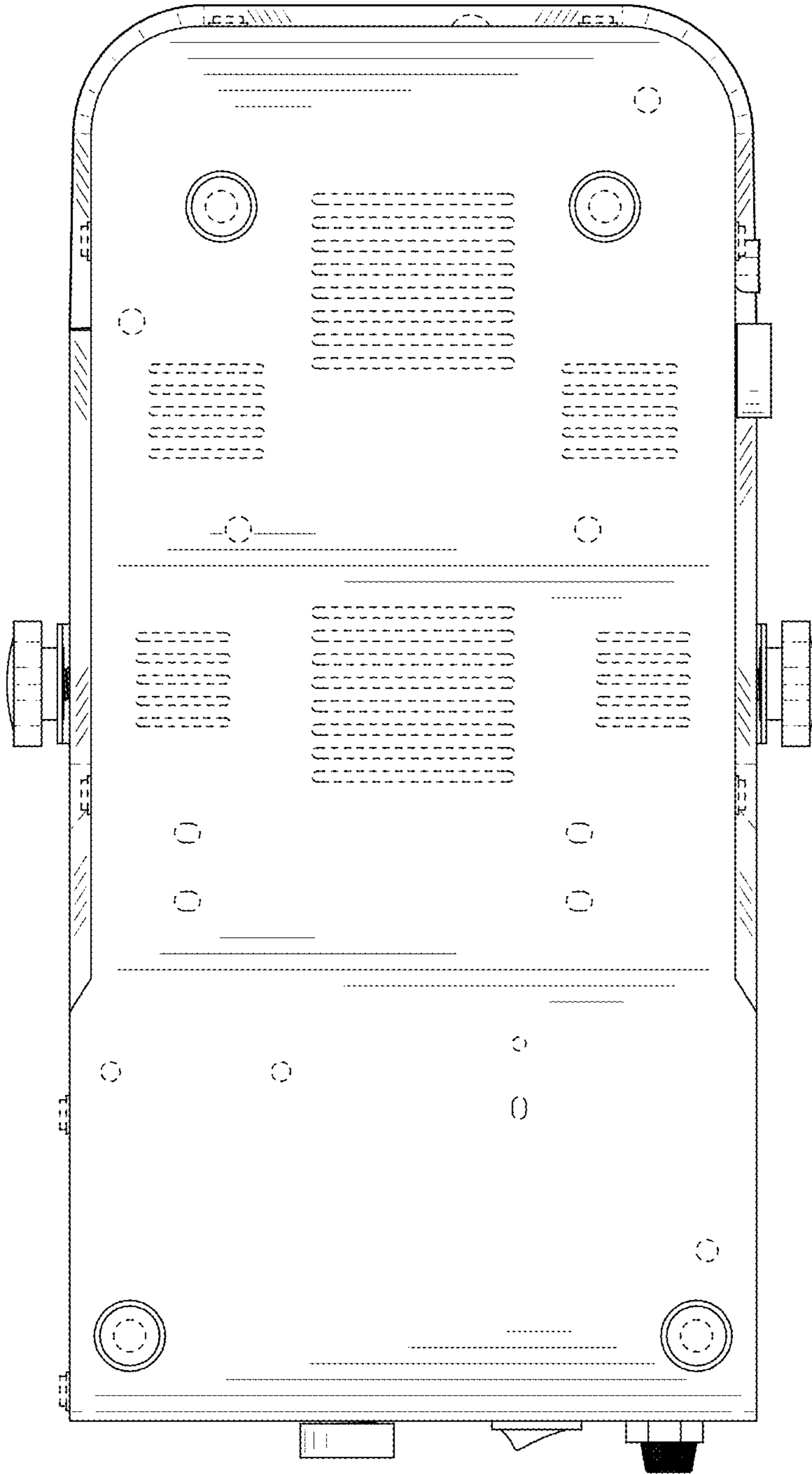


FIG. 8

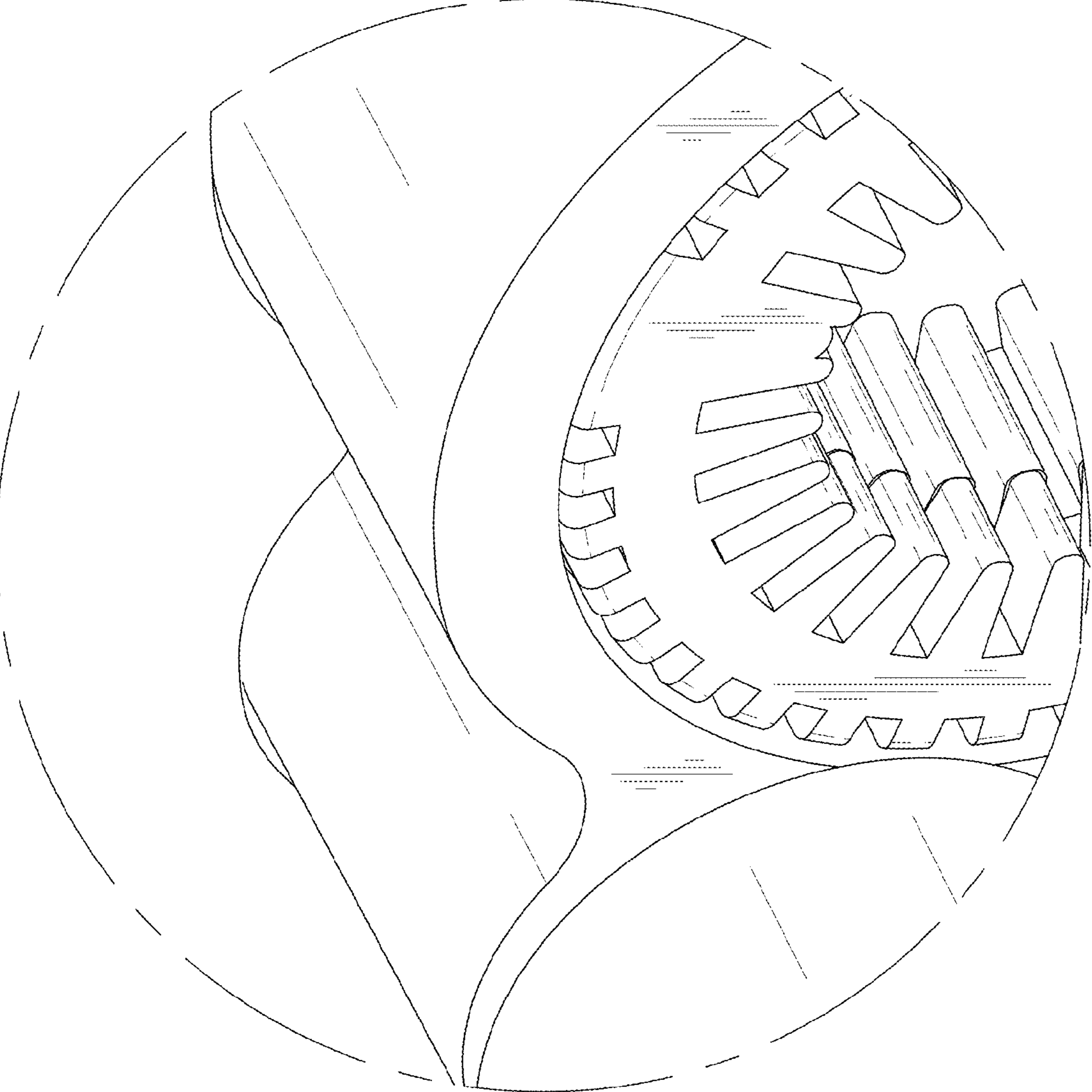


FIG. 9

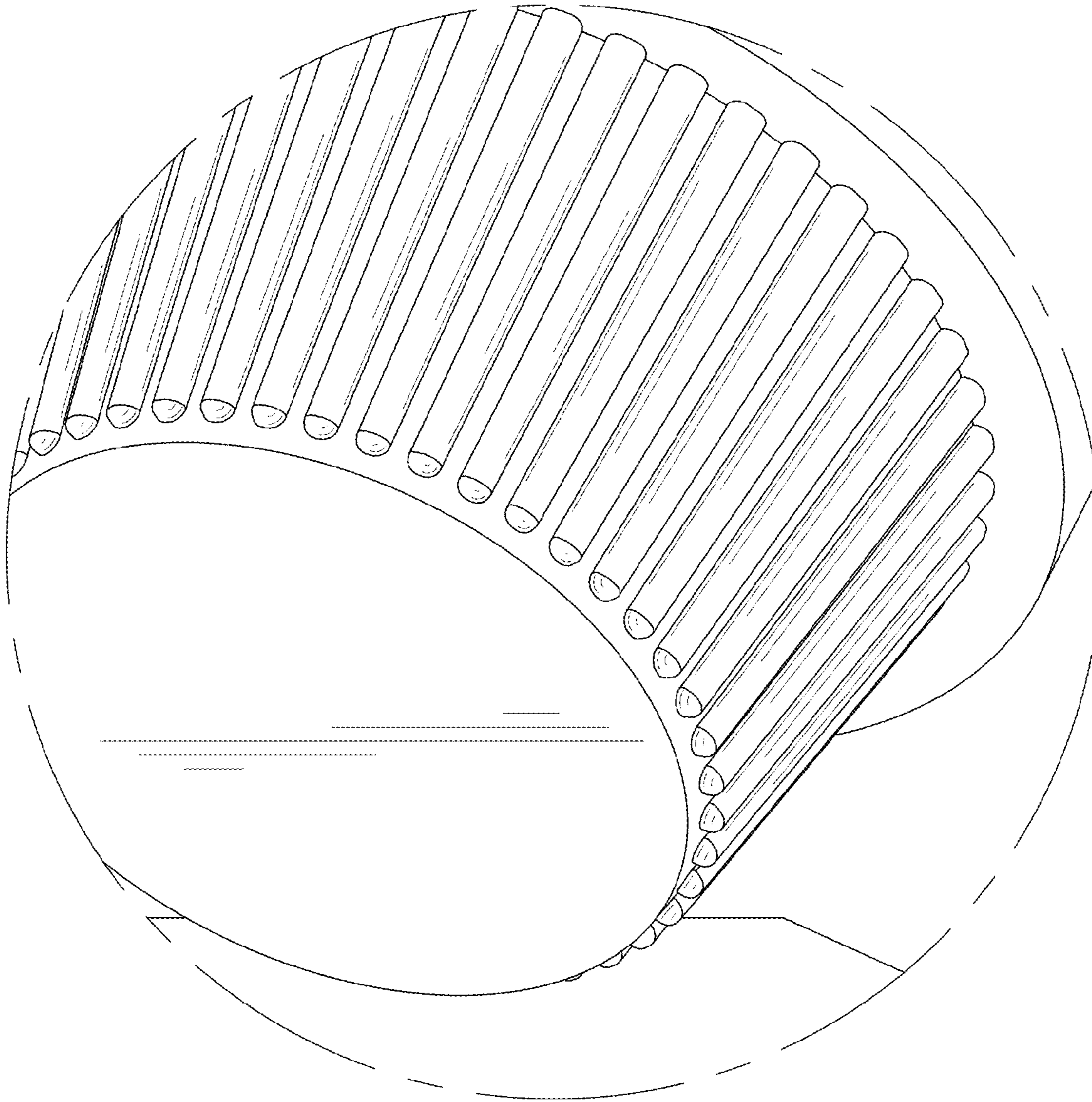


FIG. 10



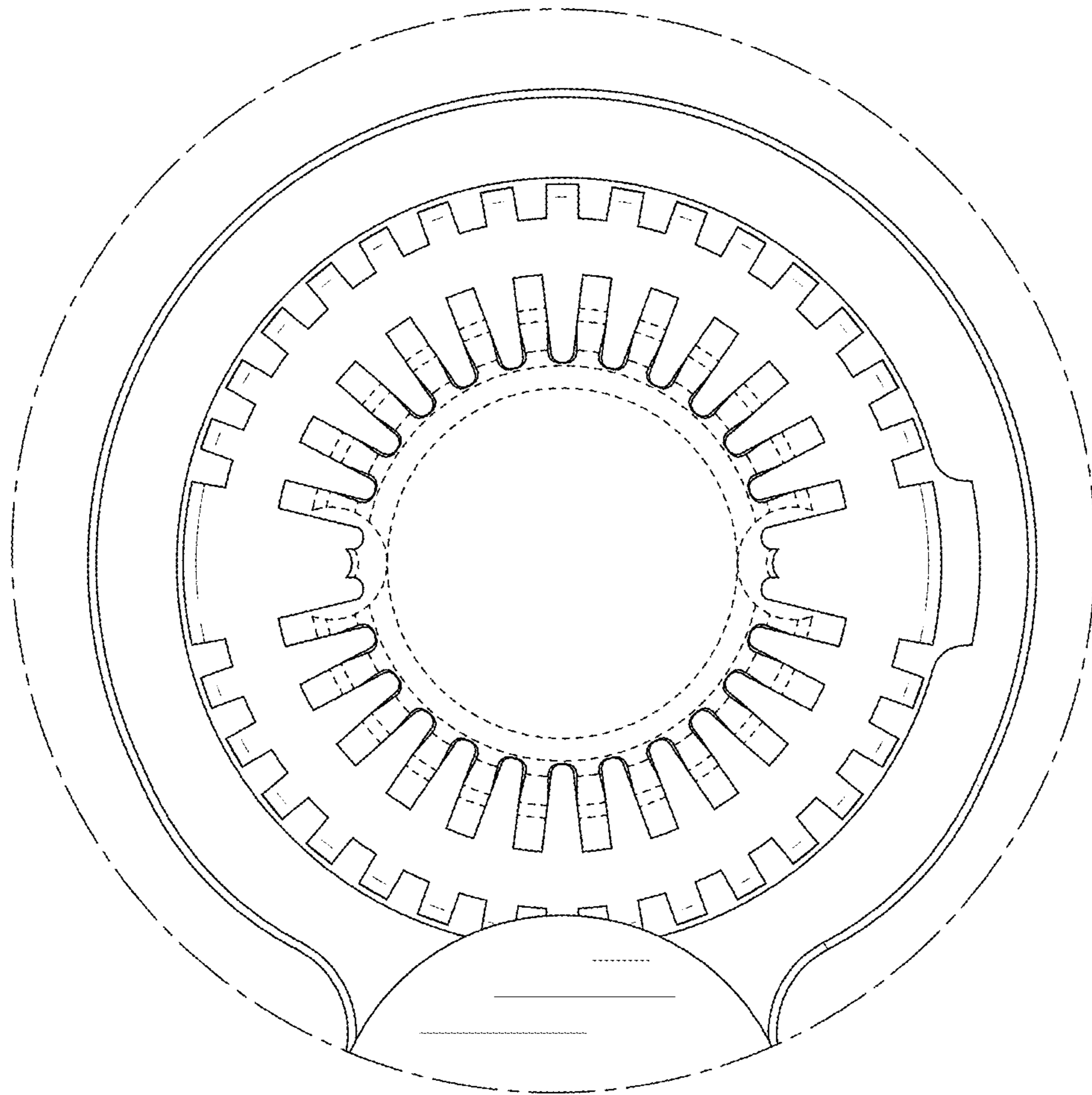


FIG. 11