



US00D965096S

(12) **United States Design Patent**
Gerry

(10) **Patent No.:** **US D965,096 S**

(45) **Date of Patent:** **** Sep. 27, 2022**

(54) **BROADHEAD**

(71) Applicant: **TG Outdoors, LLC**, Prairie du Sac, WI (US)

(72) Inventor: **Theodore Robert Gerry**, Prairie du Sac, WI (US)

(**) Term: **15 Years**

(21) Appl. No.: **29/710,000**

(22) Filed: **Oct. 18, 2019**

(51) **LOC (13) Cl.** **22-03**

(52) **U.S. Cl.**
USPC **D22/115; D22/107**

(58) **Field of Classification Search**
USPC D22/107, 115–116; D21/301, 312, D21/570–571
CPC F42B 6/08; F42B 6/04; F42B 12/362
See application file for complete search history.

(56) **References Cited**

U.S. PATENT DOCUMENTS

D314,416 S * 2/1991 Rezmer D22/115
D326,889 S * 6/1992 Garoutte D22/115

D385,327 S * 10/1997 Delmonte D22/100
2007/0062052 A1 * 3/2007 Smith F42B 6/04
33/265
2020/0018578 A1 * 1/2020 D'Acquisto F42B 6/08

* cited by examiner

Primary Examiner — Michael A. Pratt

(74) *Attorney, Agent, or Firm* — Boardman & Clark LLP

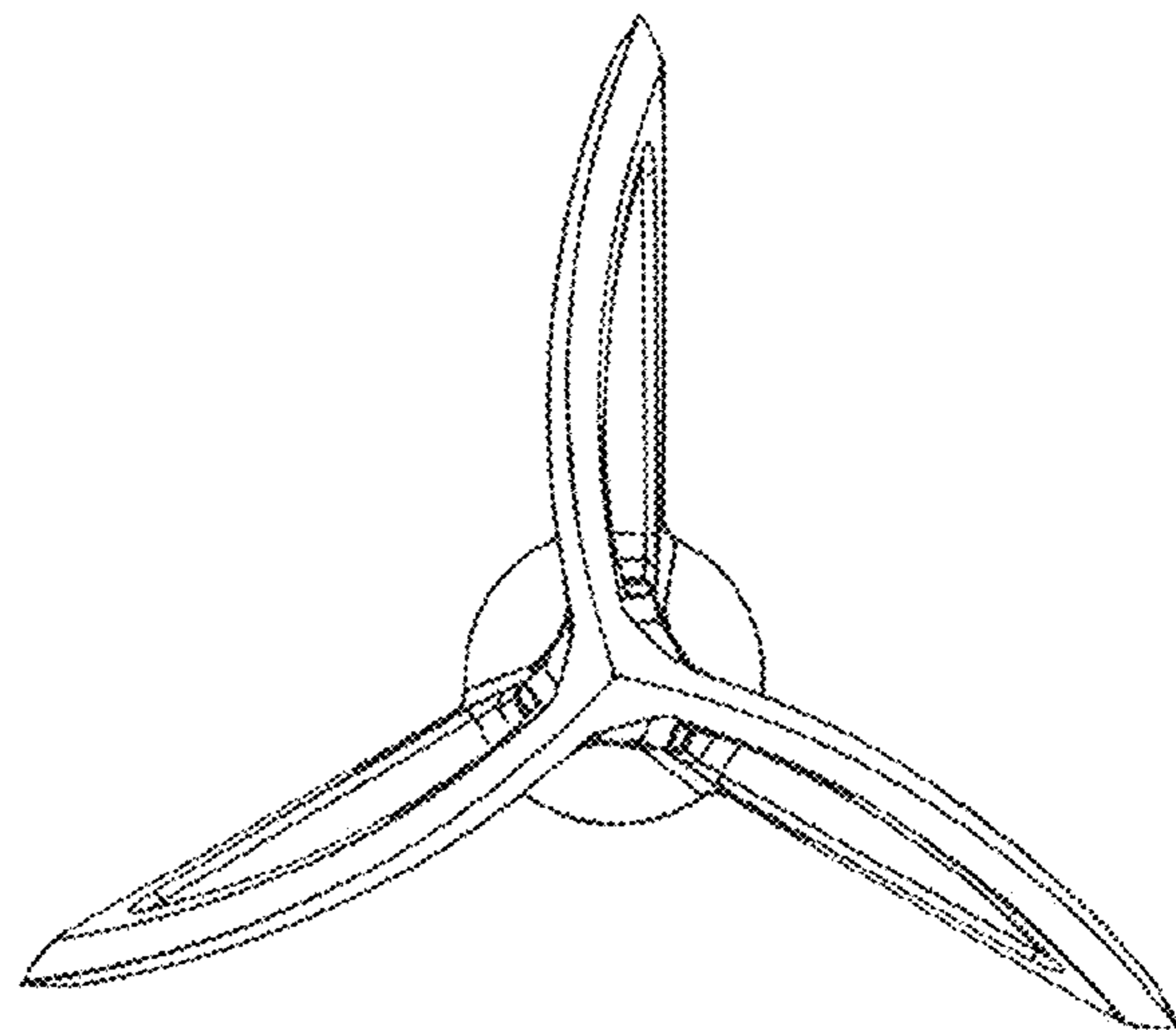
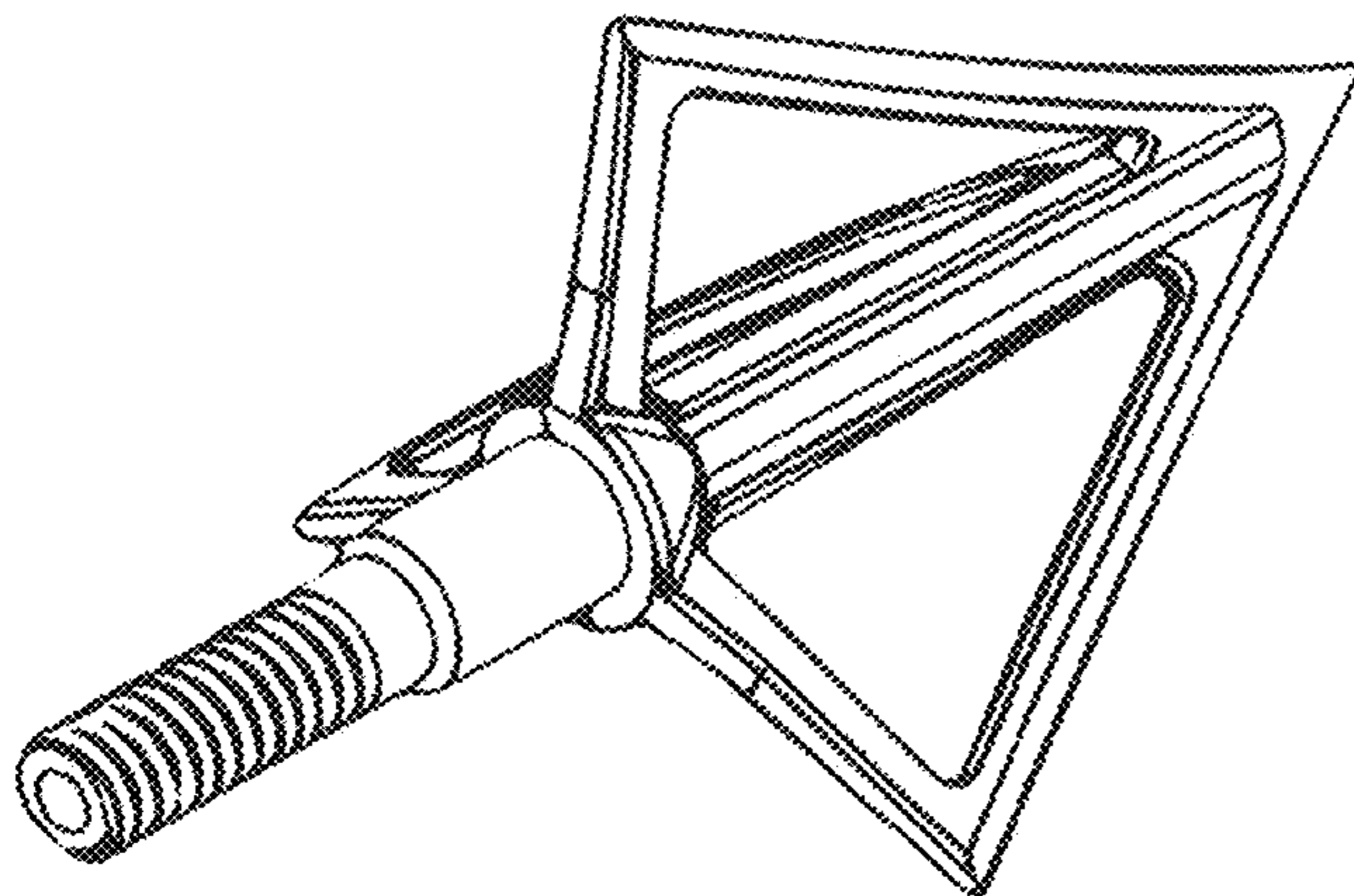
(57) **CLAIM**

The ornamental design for a broadhead, as shown and described.

DESCRIPTION

FIG. 1 is a perspective view of a broadhead, showing my new design;
FIG. 2 is a front elevation thereof;
FIG. 3 is a rear elevation thereof;
FIG. 4 is a right-side elevation thereof;
FIG. 5 is a left-side elevation thereof;
FIG. 6 is top view thereof; and,
FIG. 7 is bottom plan view thereof.

1 Claim, 4 Drawing Sheets



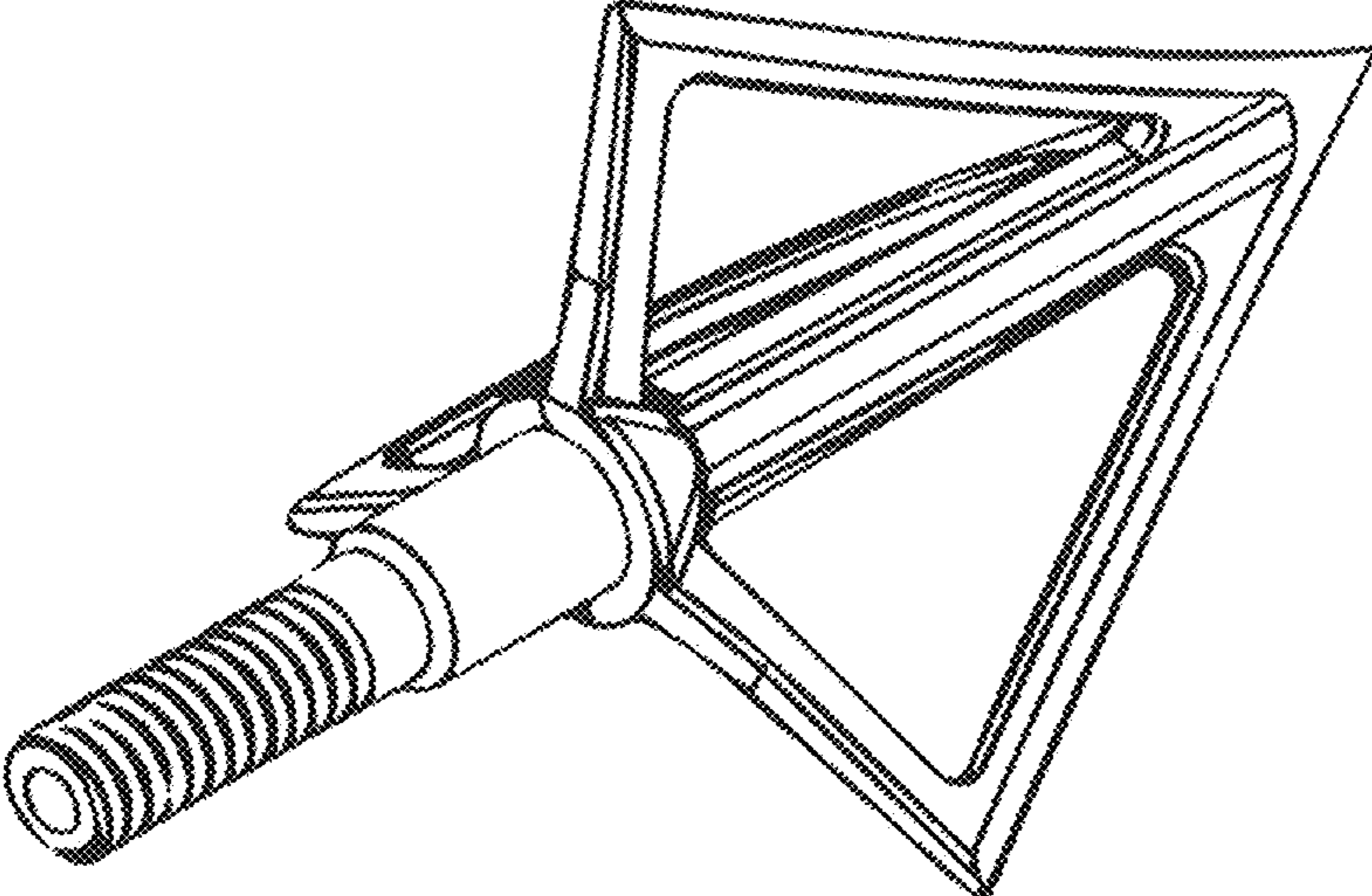


FIG. 1

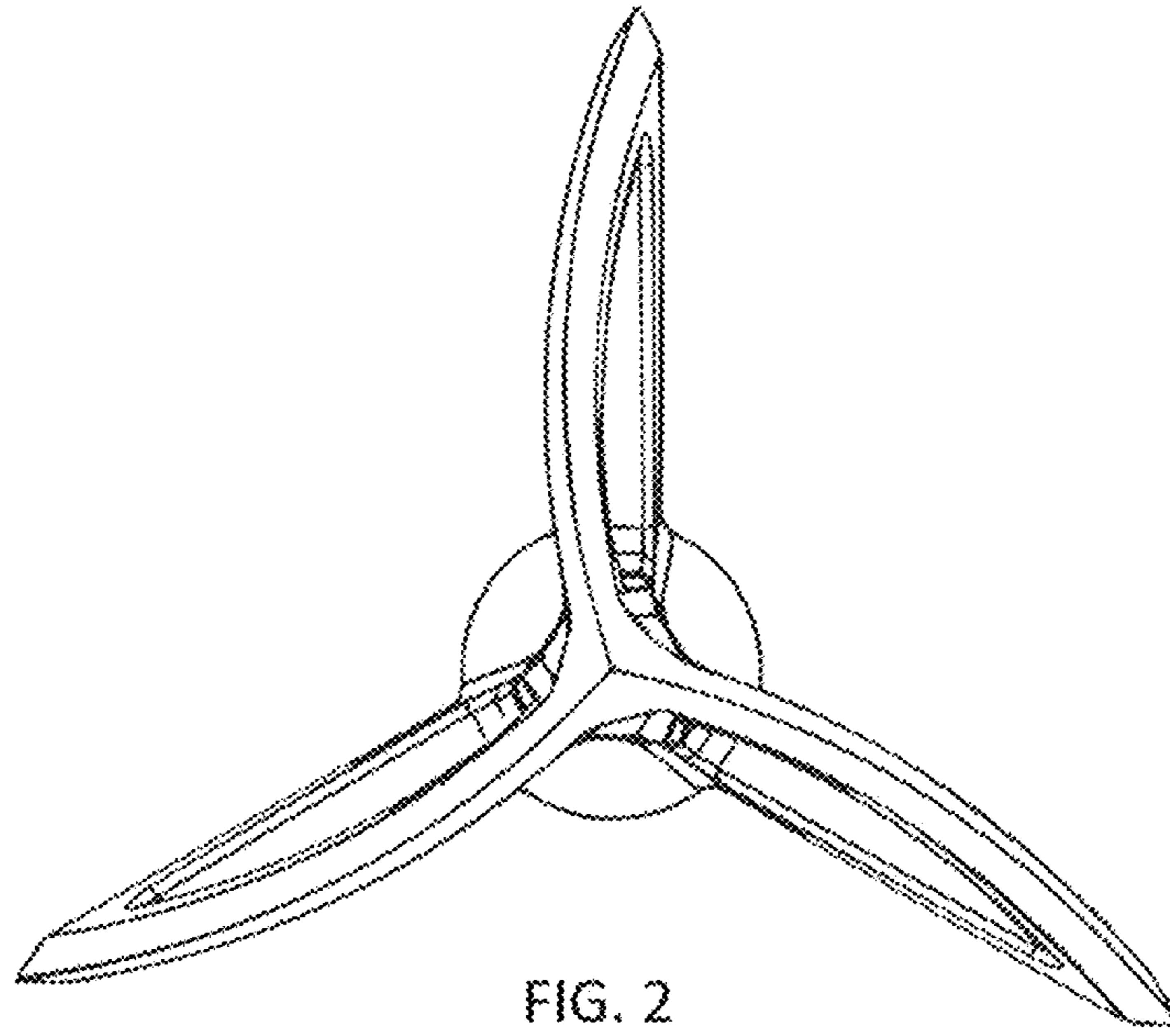


FIG. 2

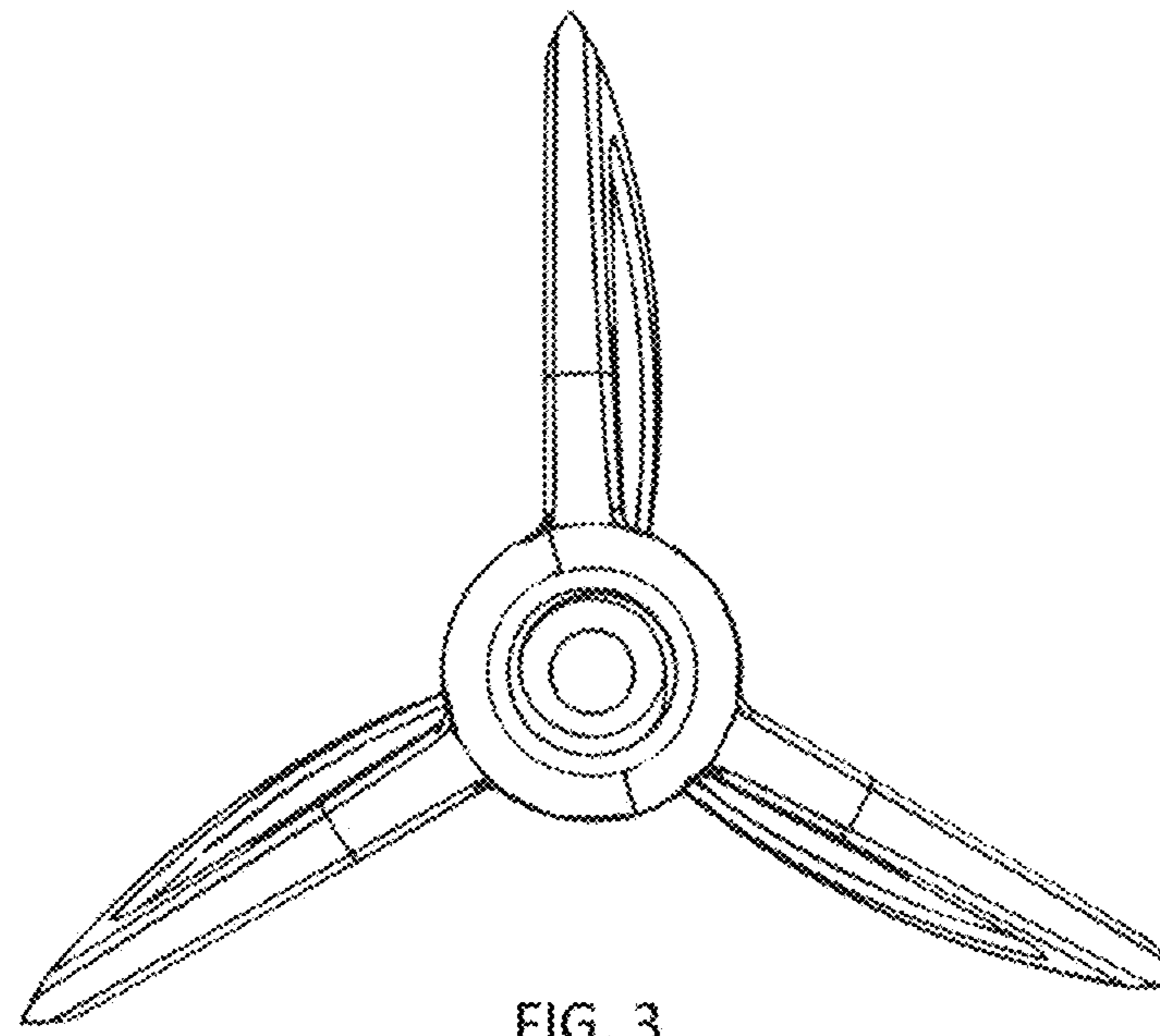


FIG. 3

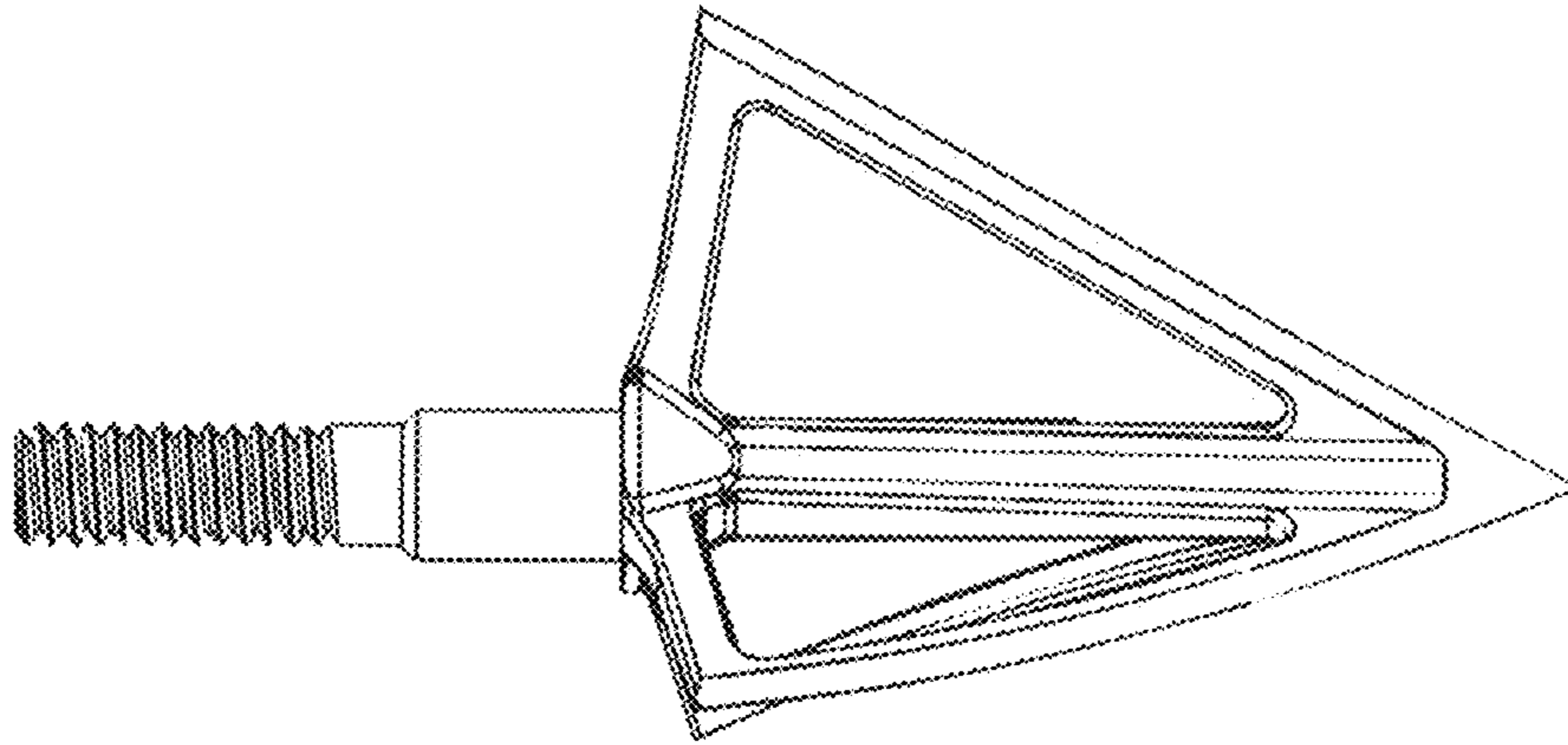


FIG. 4

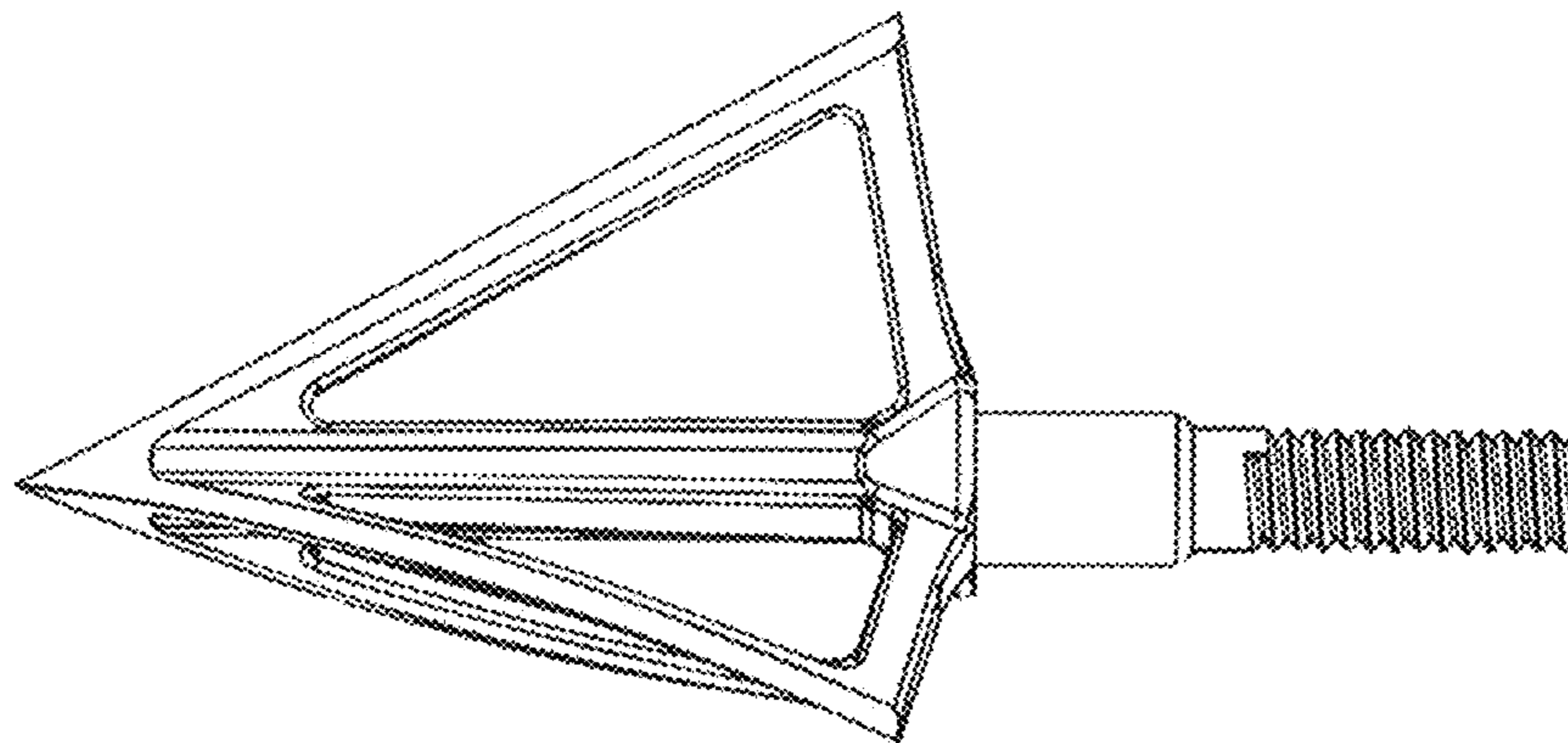


FIG. 5

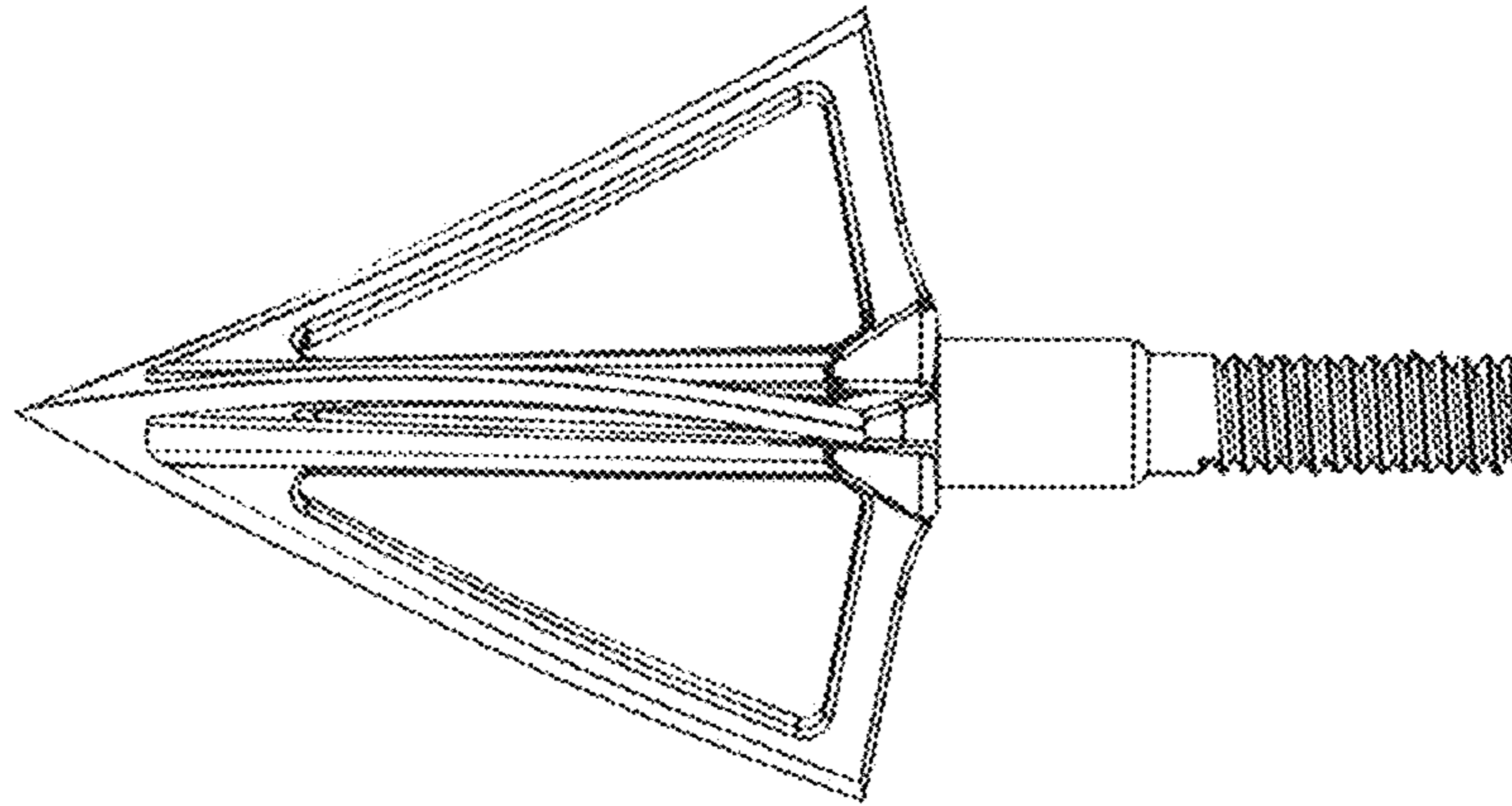


FIG. 6

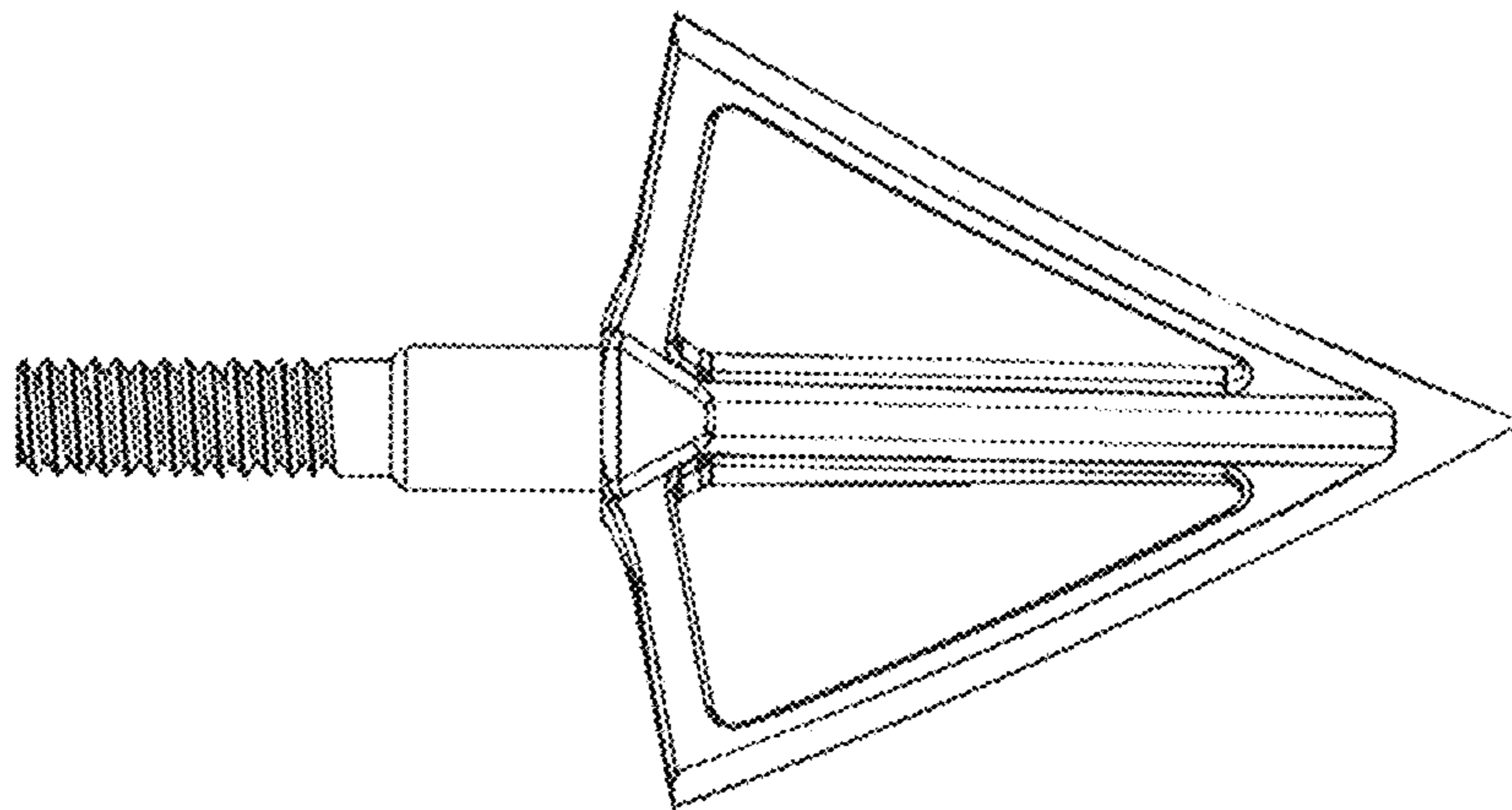


FIG. 7