



US00D965094S

(12) **United States Design Patent**  
**Huang**

(10) **Patent No.:** **US D965,094 S**

(45) **Date of Patent:** **\*\* Sep. 27, 2022**

(54) **FIREARM LOCK**

(71) Applicant: **Zhenwu Huang**, Las Vegas, NV (US)

(72) Inventor: **Zhenwu Huang**, Las Vegas, NV (US)

(\*\*) Term: **15 Years**

(21) Appl. No.: **29/695,179**

(22) Filed: **Jun. 17, 2019**

(51) **LOC (13) Cl.** ..... **22-01**

(52) **U.S. Cl.**

USPC ..... **D22/108**; D8/330

(58) **Field of Classification Search**

USPC ..... D22/100, 103, 108, 109, 110, 199;  
D8/330, 331, 334, 341

CPC . F41G 11/003; F41G 1/14; F41G 1/38; F41G  
1/16; F41G 1/02; F41G 1/06; F41A  
23/005; F41A 17/066; F41C 23/16

See application file for complete search history.

(56) **References Cited**

**U.S. PATENT DOCUMENTS**

5,271,174	A *	12/1993	Bentley	.....	F41A 17/44 42/70.11
5,535,605	A *	7/1996	Werner	.....	E05B 37/025 42/70.07
5,544,440	A *	8/1996	Stockman	.....	F41A 17/54 42/70.07
5,551,181	A *	9/1996	Upton	.....	F41A 17/54 42/70.07
D375,342	S *	11/1996	Collins	.....	D22/199
5,704,152	A *	1/1998	Harrison	.....	F41A 17/04 42/70.07
D393,305	S *	4/1998	Misner	.....	D22/100
D395,813	S *	7/1998	Chun-Te	.....	D8/330
5,918,492	A *	7/1999	Klebes	.....	F41A 17/54 42/70.07
D445,015	S *	7/2001	Weinerman	.....	D8/352
6,330,815	B1 *	12/2001	Duncan	.....	E05B 67/36 211/64
D462,735	S *	9/2002	Rohde	.....	D22/108

(Continued)

**OTHER PUBLICATIONS**

“Bison Trigger Gun Locks Quickly Fingerprint Touch Unlock 1 Second, Ca Doj Approved Design, Suitable for Most Handguns and Rifles, Dust Resistant IP65” [online]. Bison. [Date first available Jul. 6, 2020], Retrieved from the Internet: <https://www.amazon.com/dp/B08CDLSX2Z/>.\*

*Primary Examiner* — Mojtaba Tehrani

(74) *Attorney, Agent, or Firm* — The Thornton Firm, LLC

(57) **CLAIM**

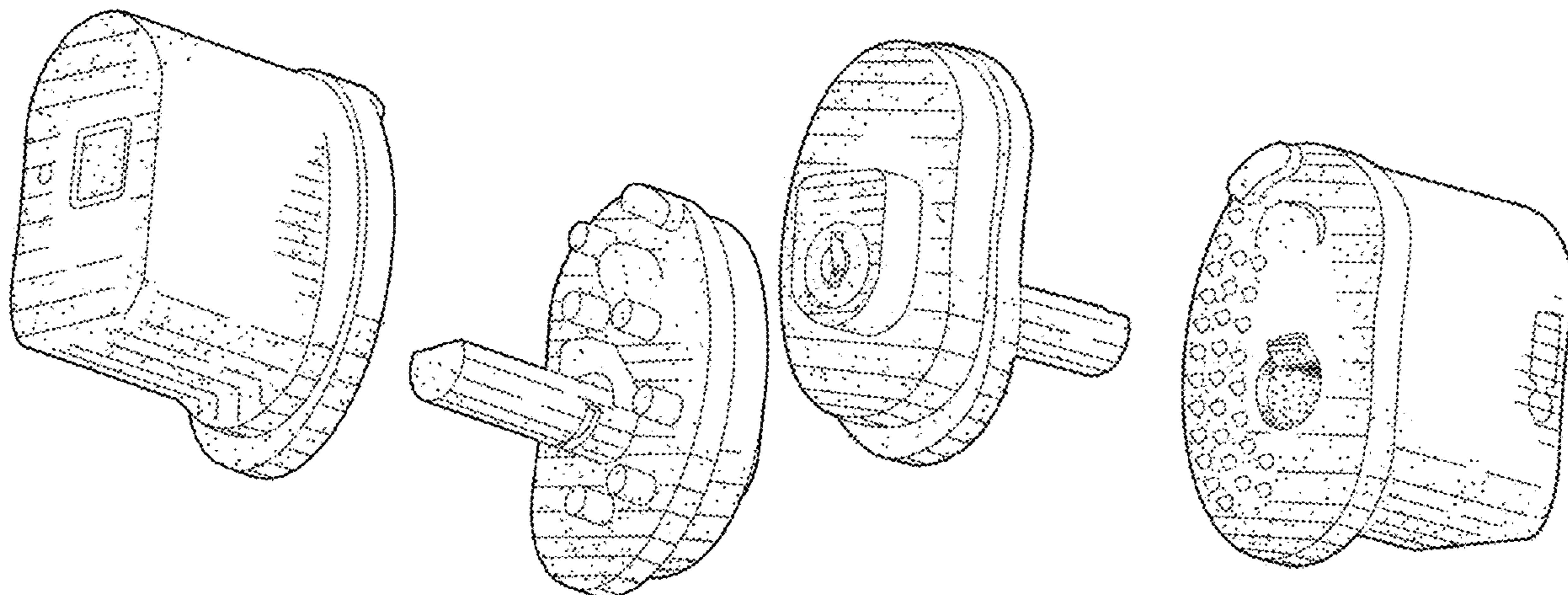
The ornamental design for a firearm lock, as shown and described.

**DESCRIPTION**

FIG. 1 is a left-bottom perspective view of the first embodiment of a firearm lock showing my new design; FIG. 2 is a right-bottom perspective view thereof; FIG. 3 is a right-bottom perspective view thereof; FIG. 4 is a left side elevation view thereof; FIG. 5 is a right side elevation view thereof; FIG. 6 is a rear elevation view thereof; FIG. 7 is a front elevation view thereof; FIG. 8 is a bottom plan view thereof; FIG. 9 is a top plan view thereof; FIG. 10 is a left side elevation view of the second embodiment of a firearm lock showing my new design; FIG. 11 is a right side elevation view thereof; FIG. 12 is a rear elevation view thereof; FIG. 13 is a front elevation view thereof; FIG. 14 is a bottom plan view thereof; and, FIG. 15 is a top plan view thereof.

The broken lines in the drawings depict portions of the firearm lock that form no part of the claimed design. In a preferred embodiment, the nature of this product is a firearm lock, which is primarily useful as a trigger safety lock for firearms.

**1 Claim, 15 Drawing Sheets**



(56)

**References Cited**

U.S. PATENT DOCUMENTS

6,474,238 B1 \* 11/2002 Weinraub ..... F41A 17/54  
42/70.07  
D485,595 S \* 1/2004 Schaub ..... D22/108  
7,281,397 B2 \* 10/2007 Victor ..... F41A 17/54  
42/70.07  
D591,139 S \* 4/2009 Gulley ..... D8/339  
7,584,566 B2 \* 9/2009 Victor ..... F41A 17/54  
42/70.07  
D659,789 S \* 5/2012 Trevino, III ..... D22/108  
D660,682 S \* 5/2012 Mahaffey ..... D8/343  
D782,276 S \* 3/2017 Dylewski, II ..... D8/331  
10,866,047 B2 \* 12/2020 Lied ..... F41A 17/066  
D928,902 S \* 8/2021 Shiner ..... D22/108  
2005/0229654 A1 \* 10/2005 Victor ..... E05B 73/00  
70/58  
2006/0117633 A1 \* 6/2006 Chang ..... F41A 17/02  
42/70.07

\* cited by examiner

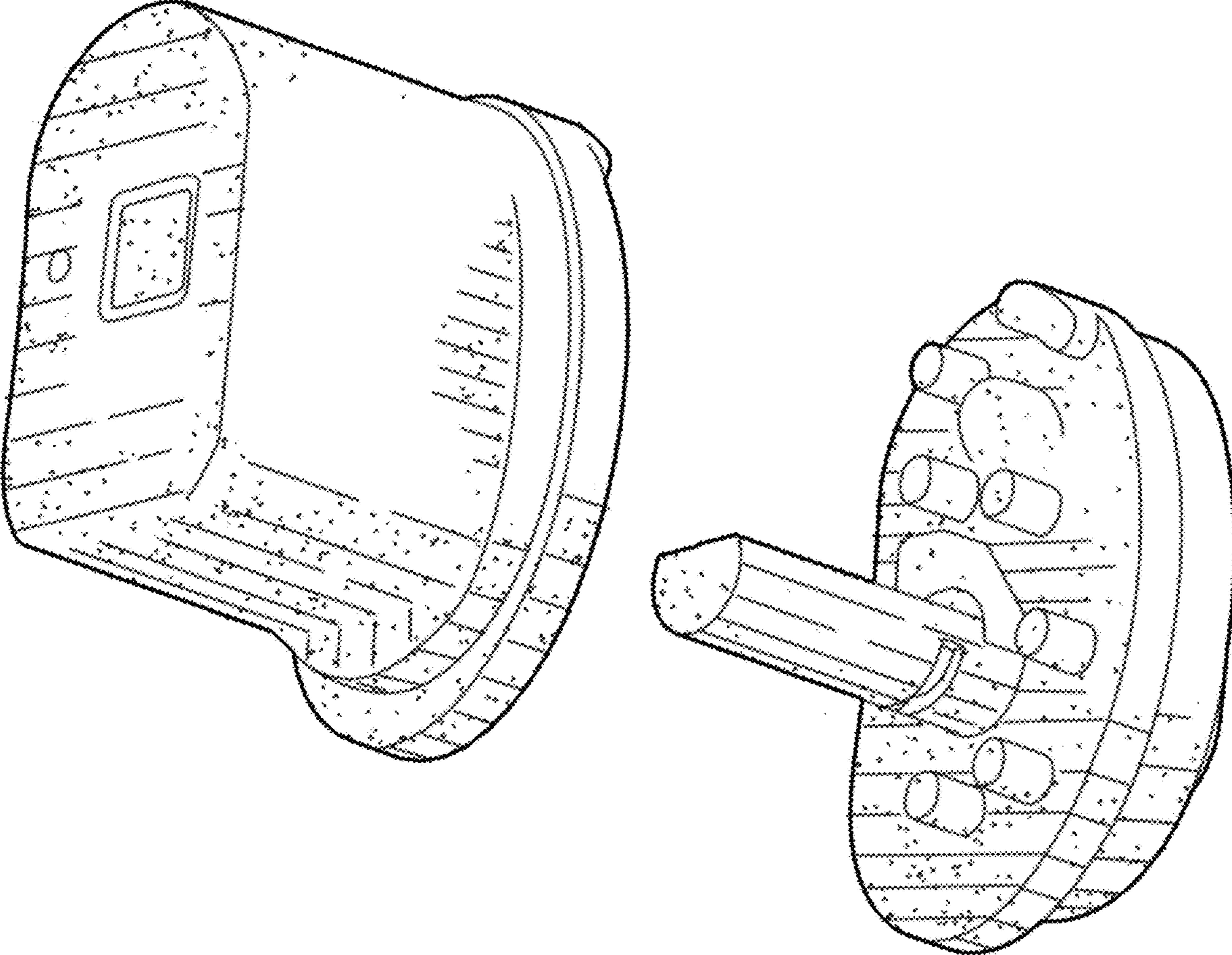


FIG. 1

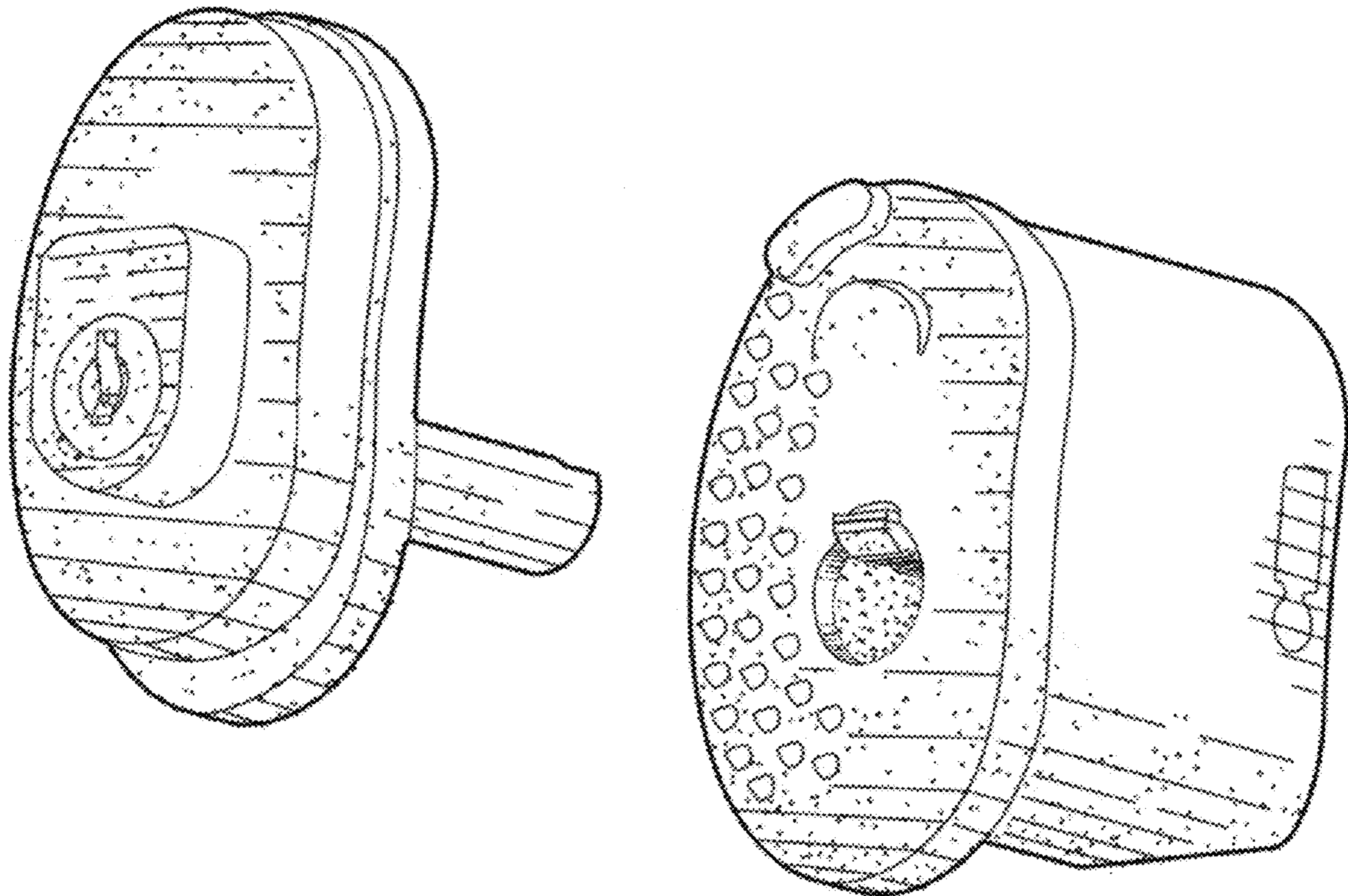


FIG. 2

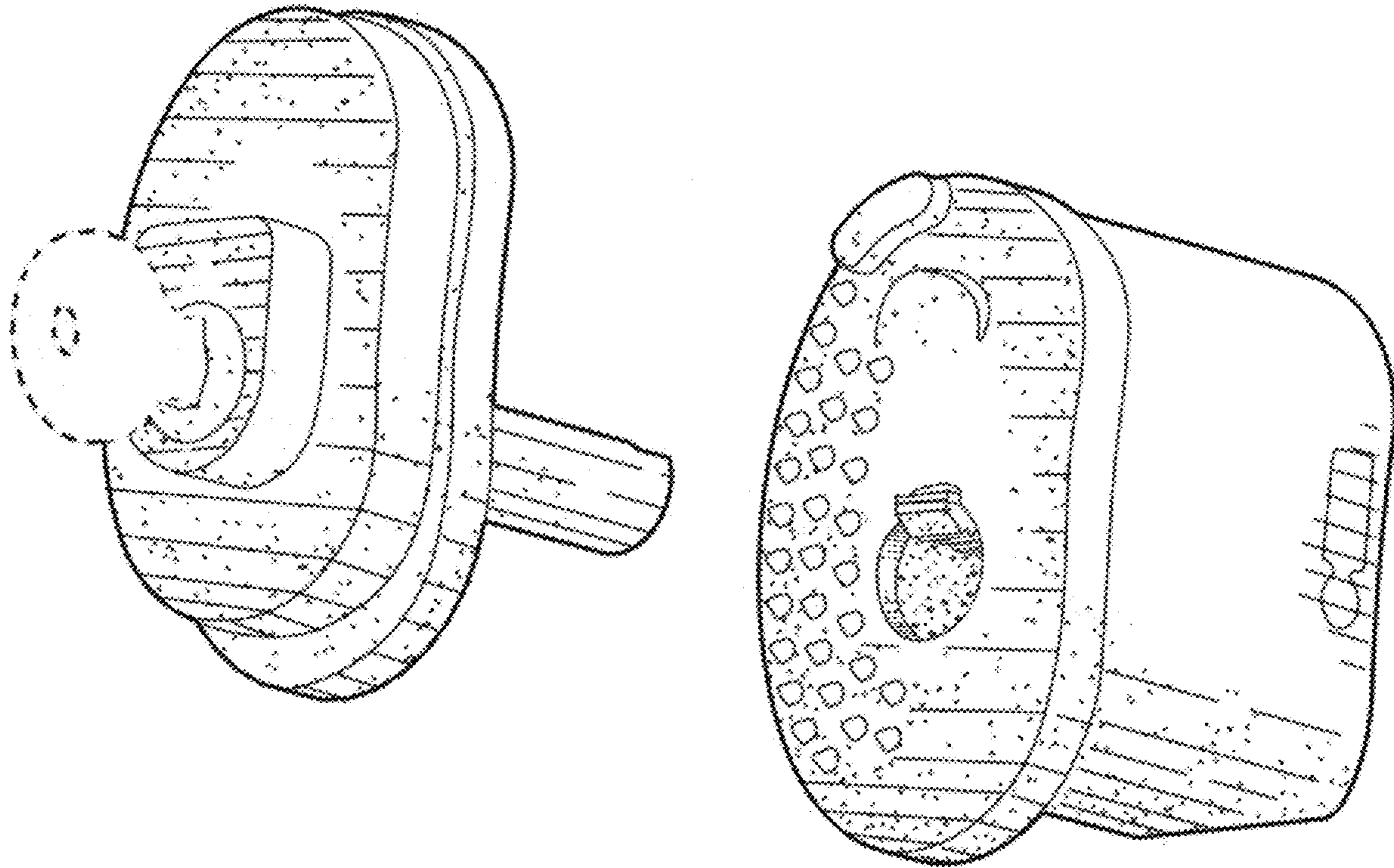


FIG. 3

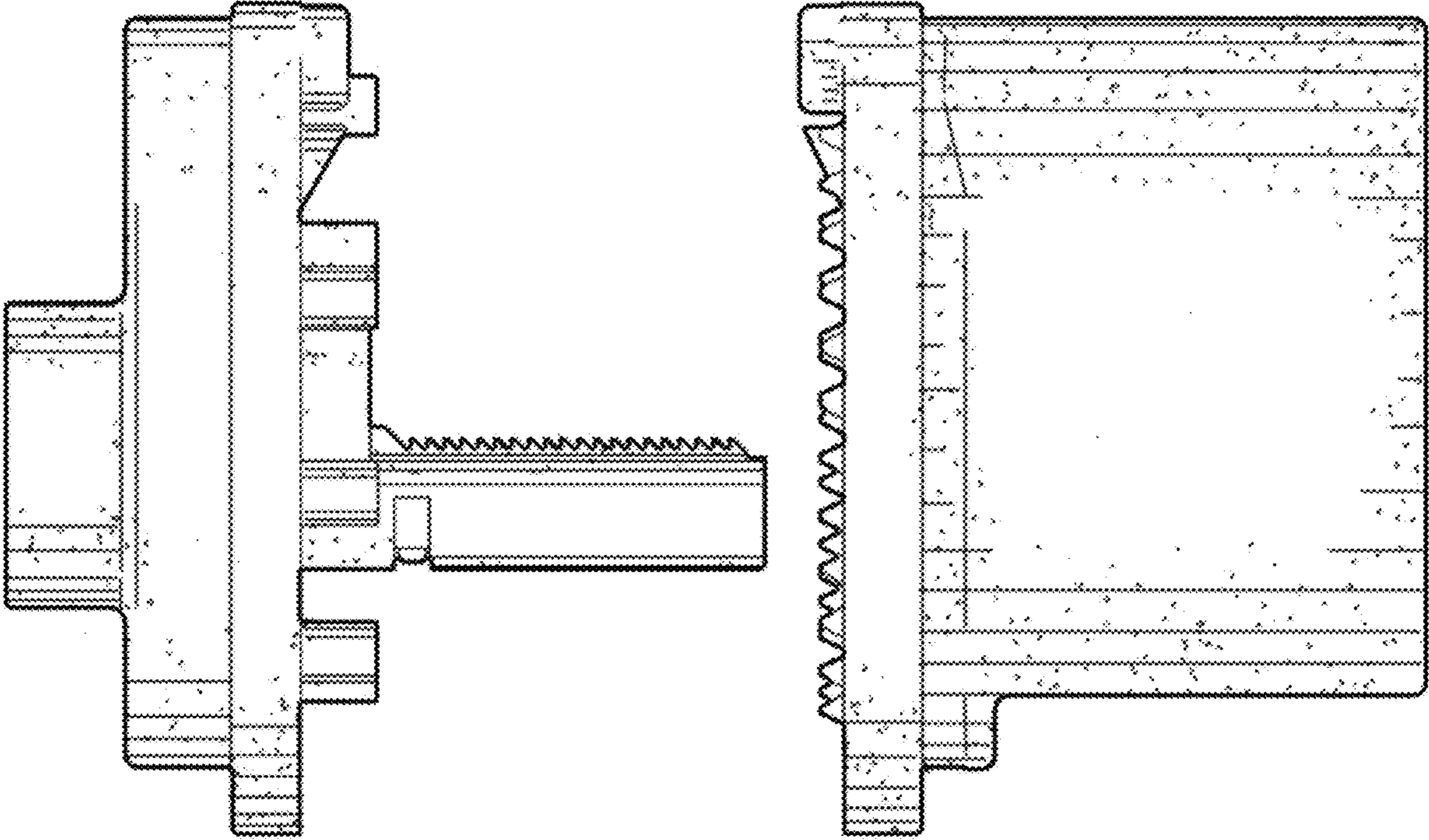
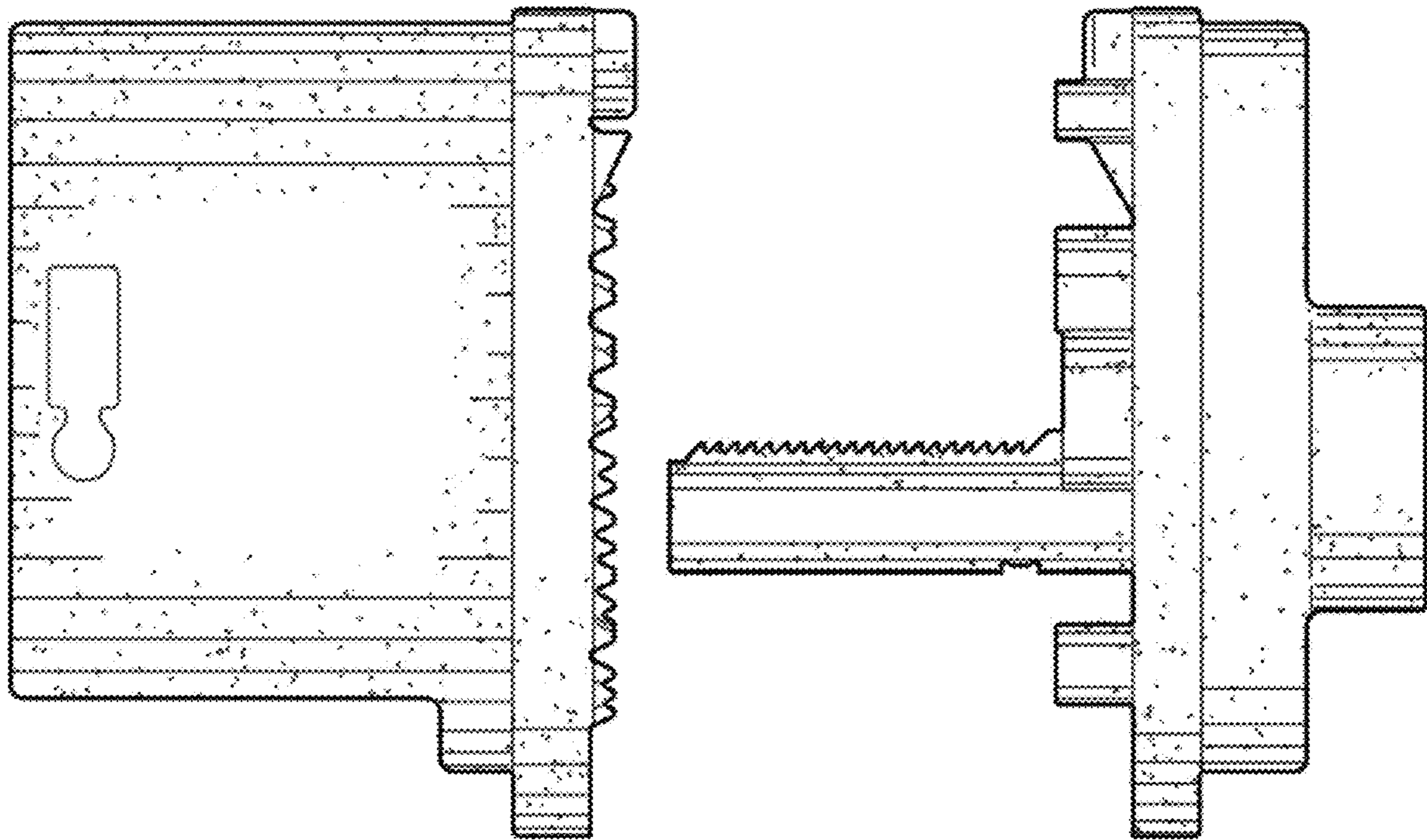
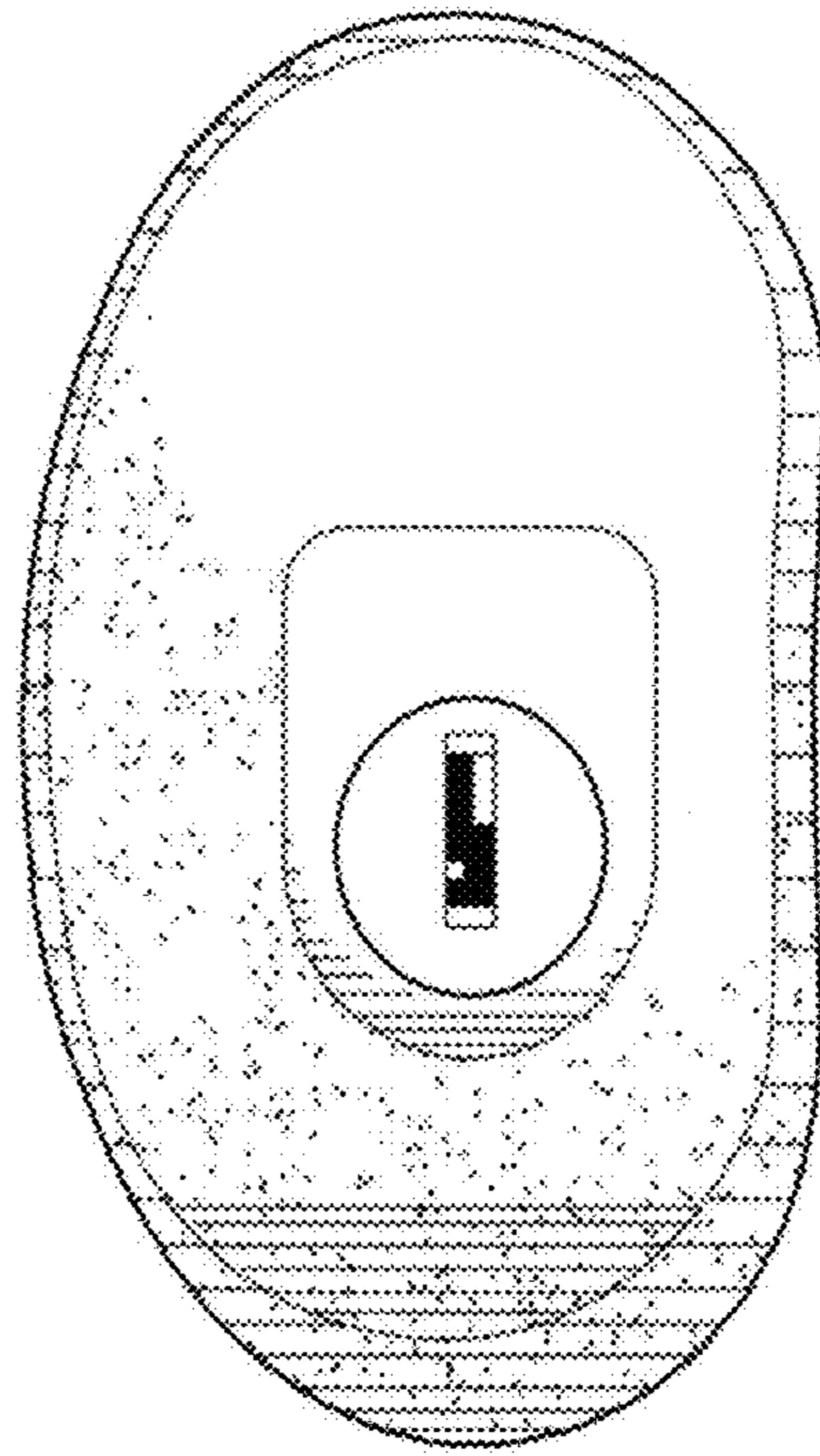


FIG. 4

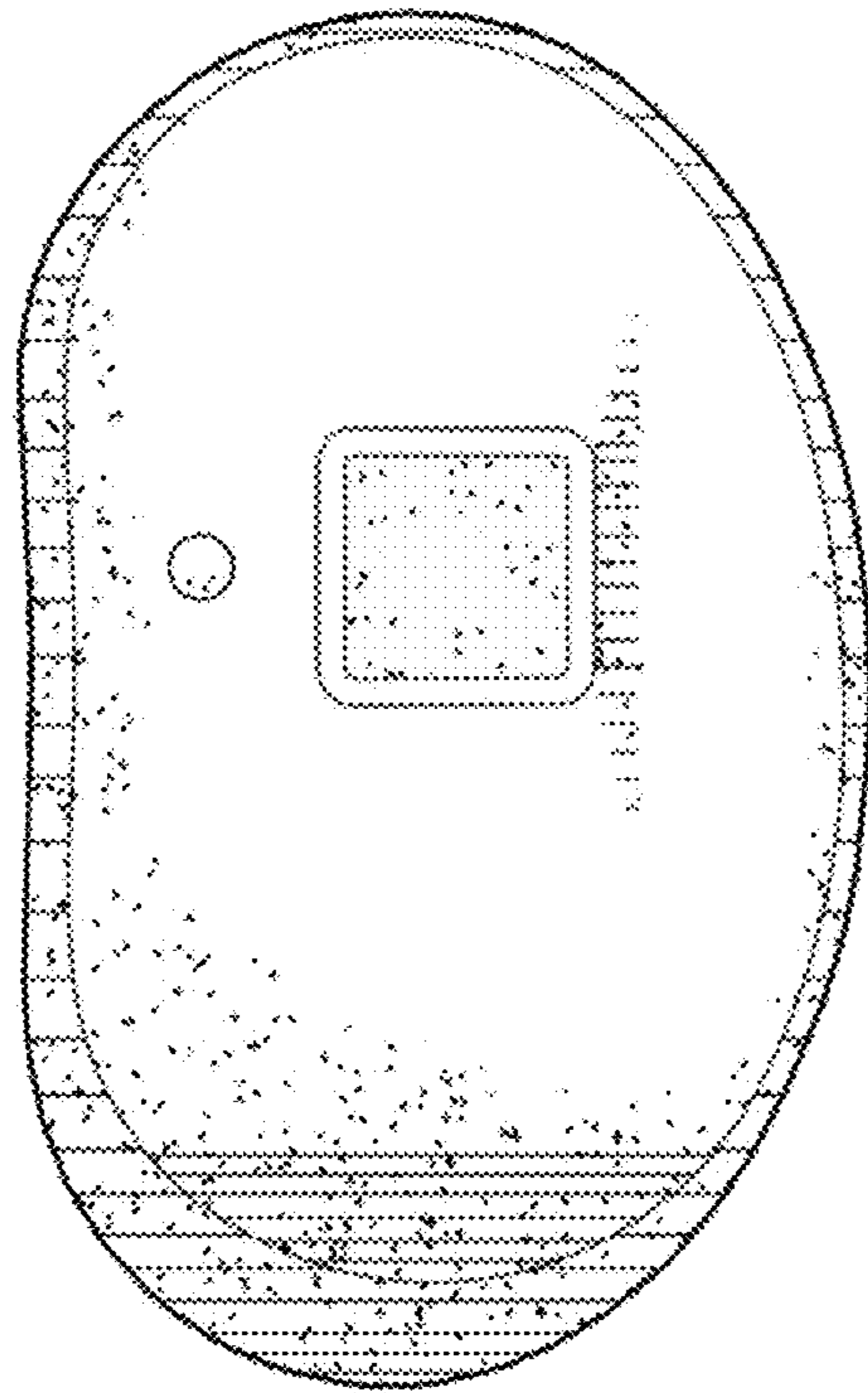


**FIG. 5**



**FIG. 6**





**FIG. 7**

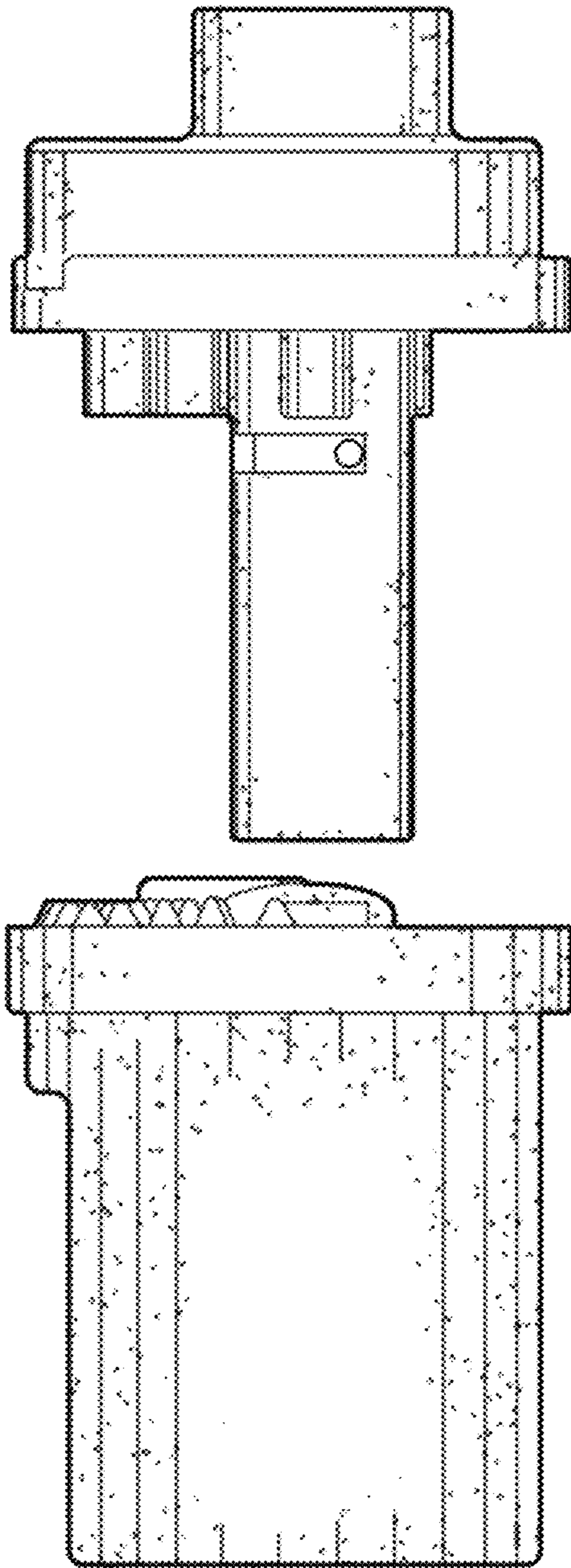


FIG. 8

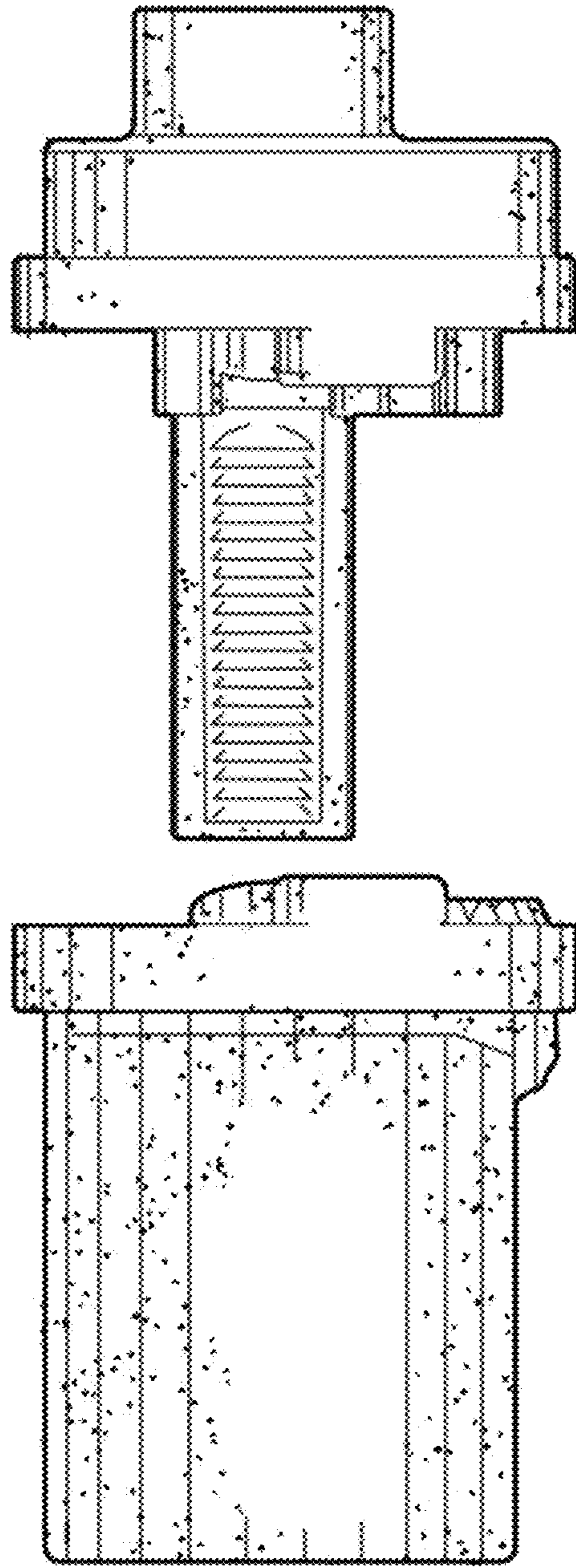
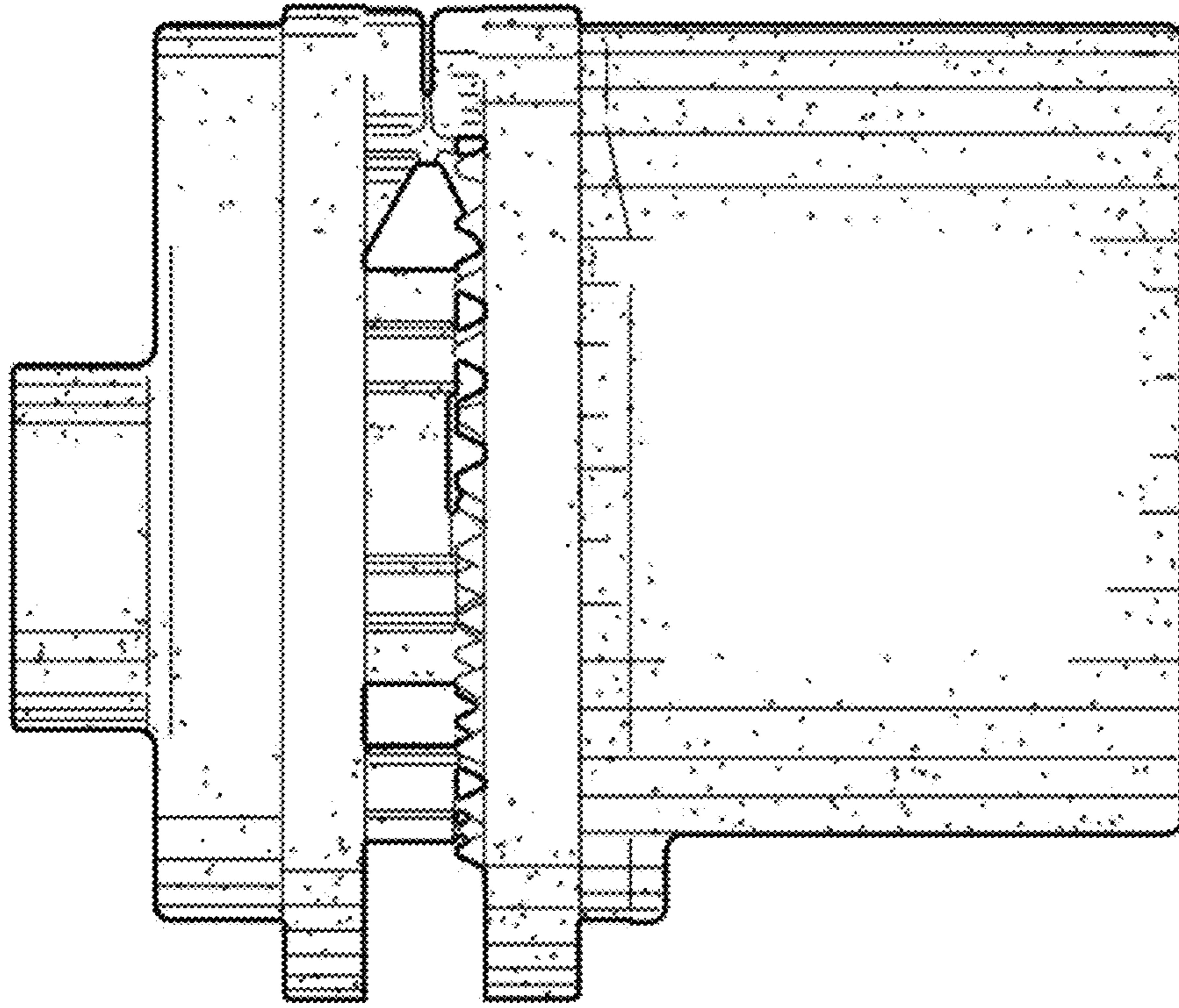
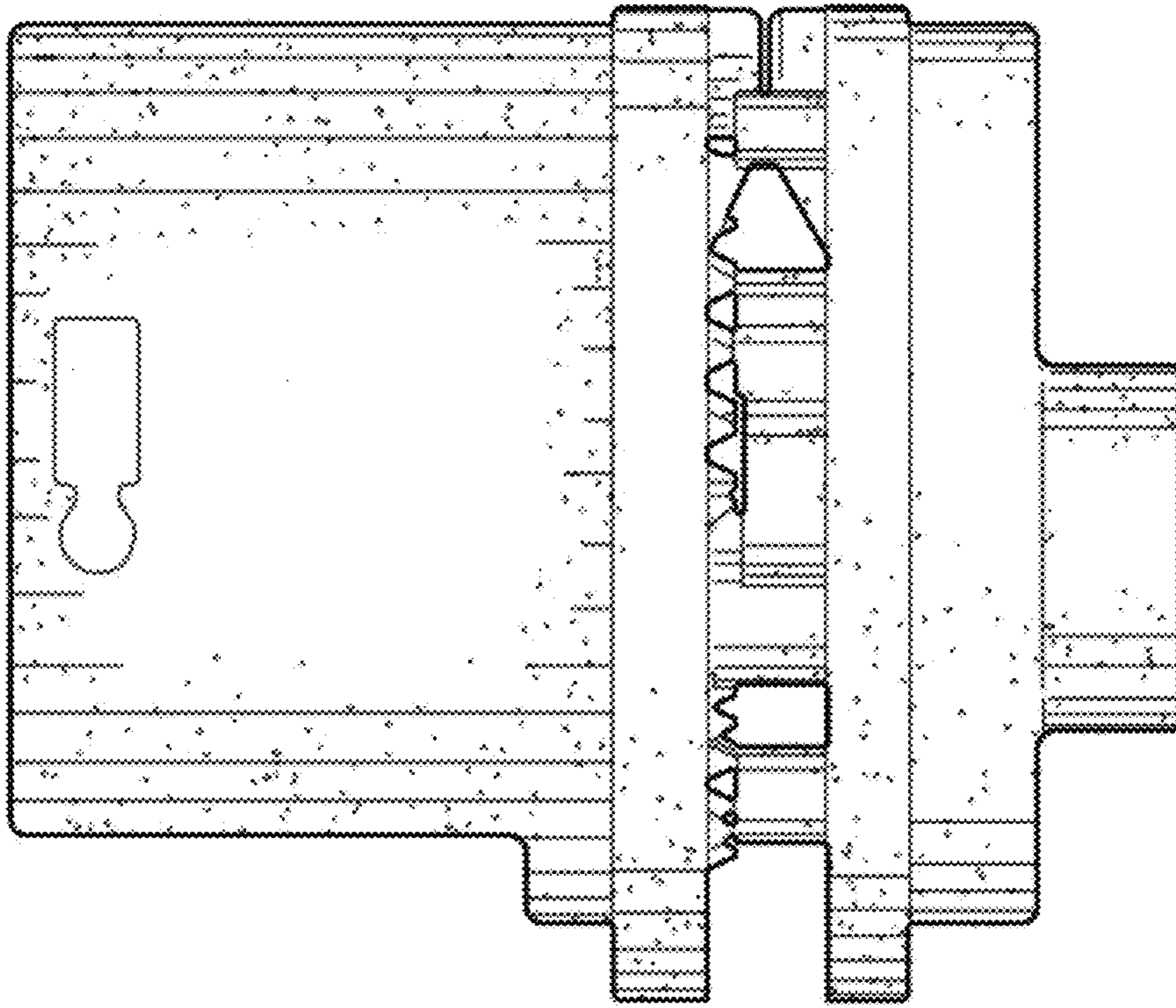


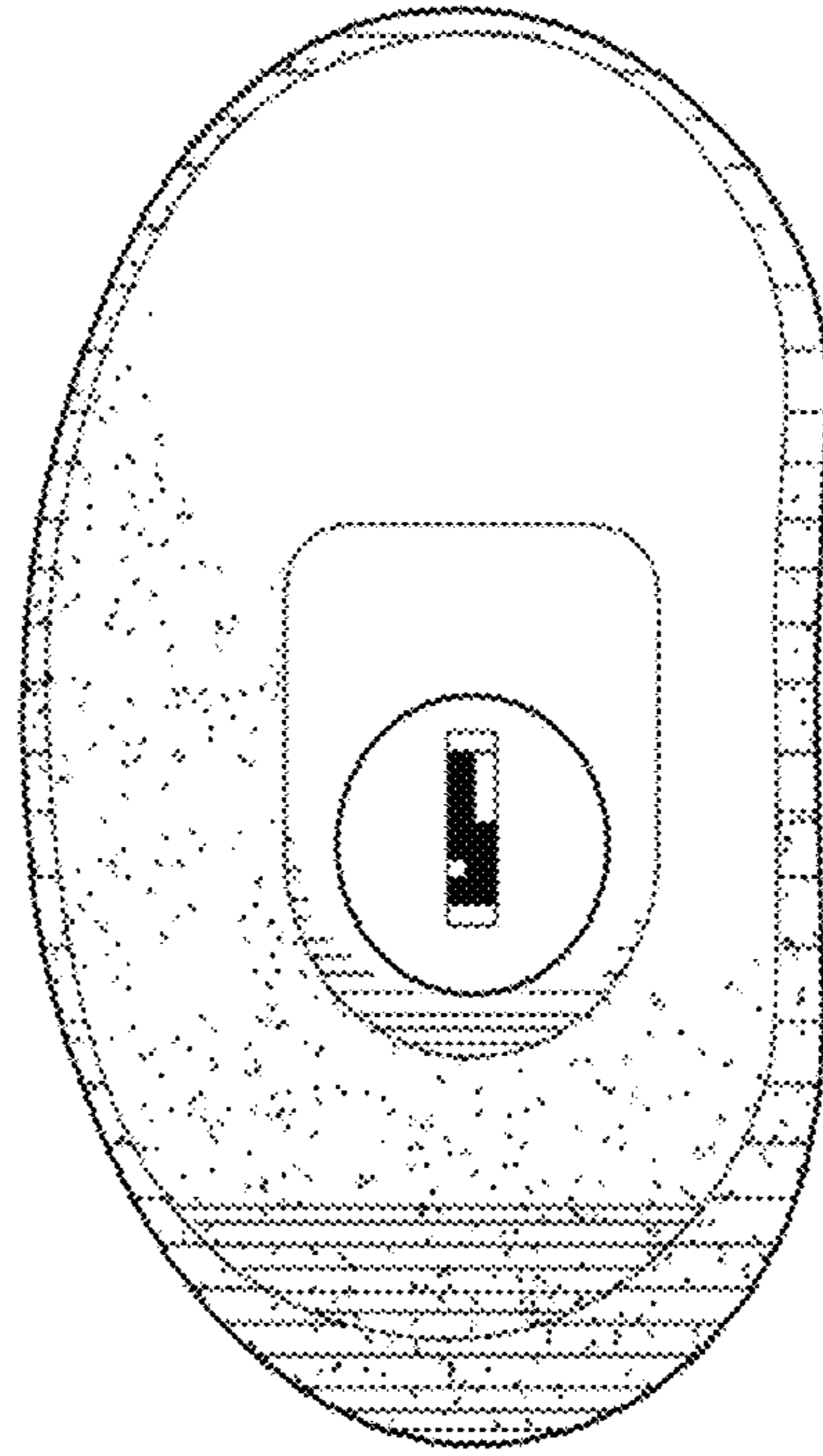
FIG. 9



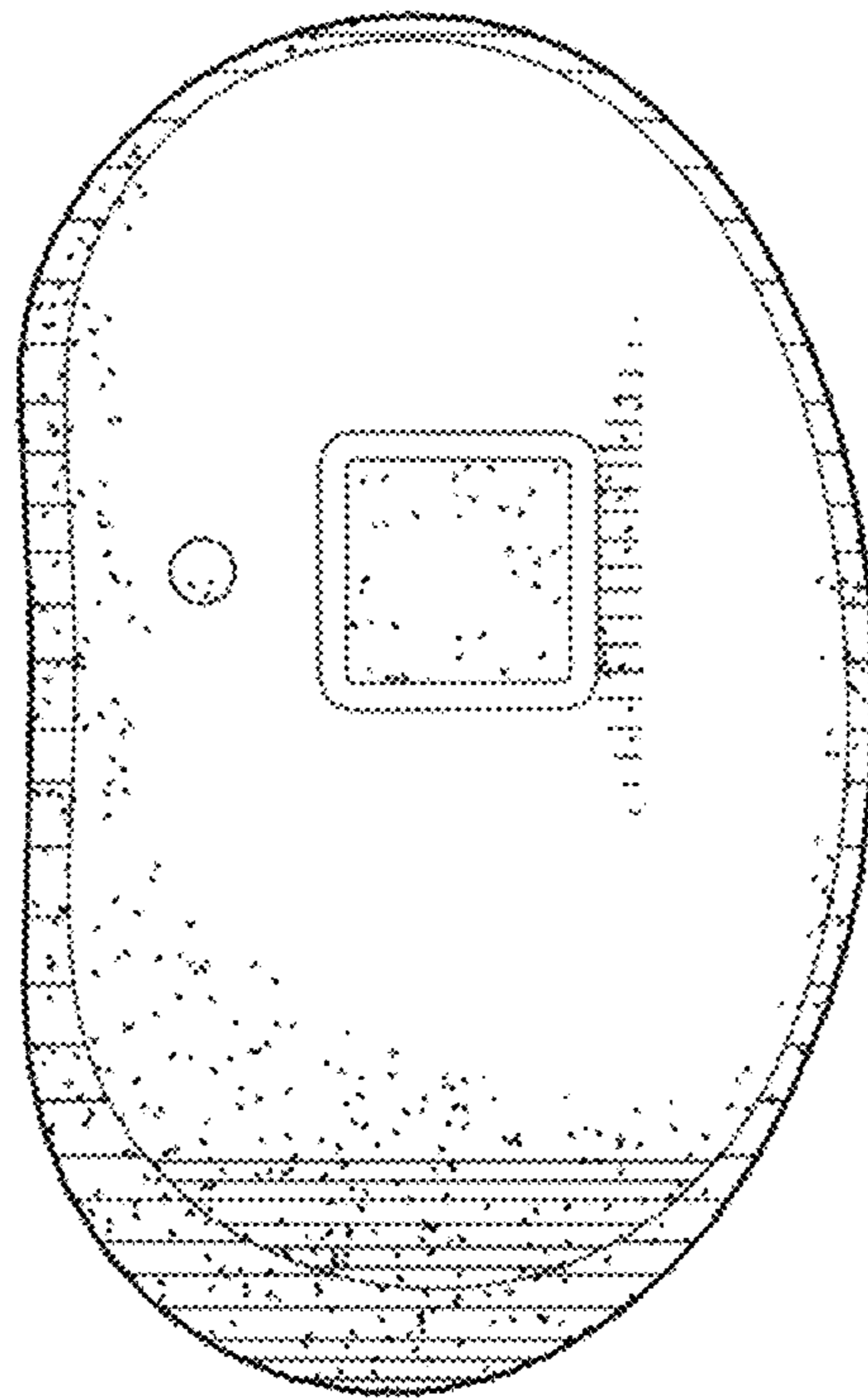
**FIG. 10**



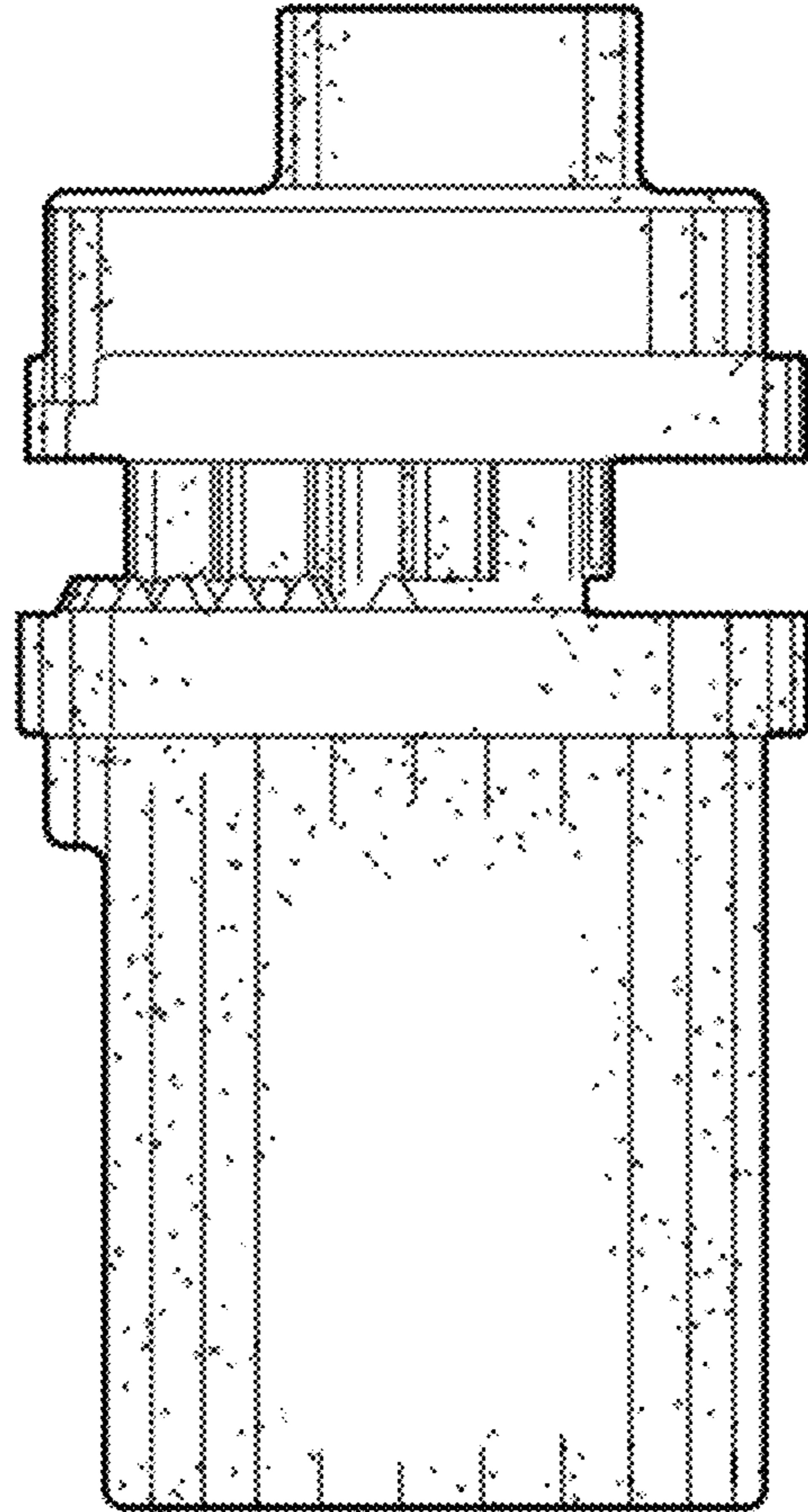
**FIG. 11**



**FIG. 12**

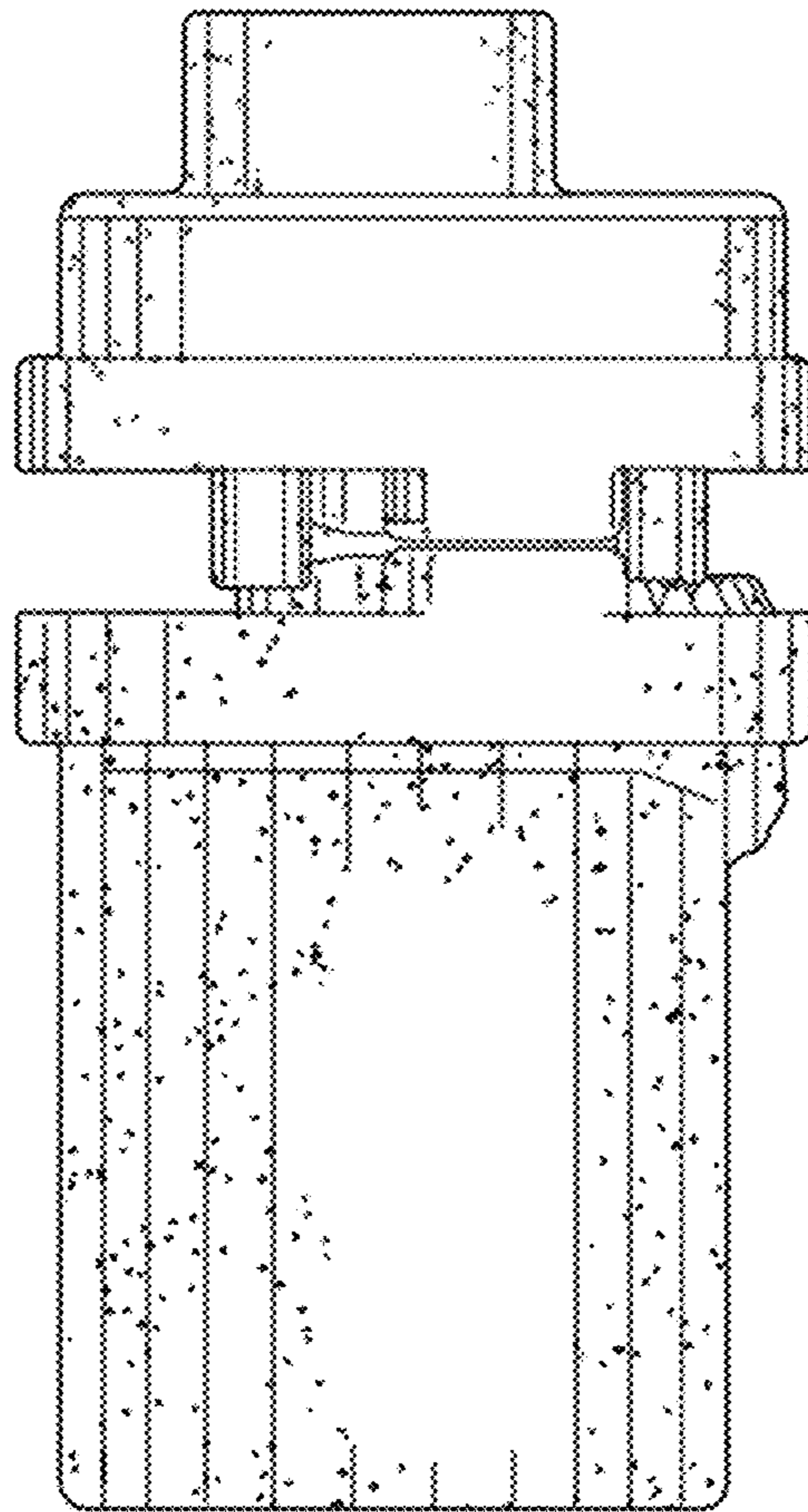


**FIG. 13**



**FIG. 14**





**FIG. 15**