



US00D965087S

(12) **United States Design Patent**  
**Nakamura**

(10) **Patent No.:** **US D965,087 S**  
(45) **Date of Patent:** **\*\* Sep. 27, 2022**

(54) **STRETCHING INSTRUMENT**

(71) Applicant: **DREAM FACTORY INC.**, Osaka (JP)  
(72) Inventor: **Tomoyoshi Nakamura**, Osaka (JP)  
(73) Assignee: **DREAM FACTORY INC.**, Osaka (JP)

(\*\*) Term: **15 Years**  
(21) Appl. No.: **29/768,923**  
(22) Filed: **Feb. 2, 2021**

(30) **Foreign Application Priority Data**

Aug. 3, 2020 (JP) ..... 2020-016213 D

(51) **LOC (13) Cl.** ..... **21-02**

(52) **U.S. Cl.**  
USPC ..... **D21/686**

(58) **Field of Classification Search**  
USPC ..... D21/662, 671, 676, 686, 687, 690, 695,  
D21/801, 803; D6/691, 691.1, 691.2,  
D6/691.3, 349, 350, 355; D12/316, 317  
CPC ..... A63B 24/00; A63B 21/00; A63B 21/078;  
A63B 21/4023; A63B 21/4029; A63B  
21/4031; B63C 1/02; B63C 1/04; B63B  
35/00; B63B 35/58; B63B 35/613  
See application file for complete search history.

(56) **References Cited**

**U.S. PATENT DOCUMENTS**

D224,994 S \* 10/1972 Sokolowski ..... D6/349  
D320,703 S \* 10/1991 Burkhart ..... D6/349  
D348,784 S \* 7/1994 Hassel ..... D6/349  
D350,450 S \* 9/1994 Hassel ..... D6/349  
D370,949 S \* 6/1996 Furner ..... D21/671  
D371,176 S \* 6/1996 Furner ..... D21/671  
D519,172 S \* 4/2006 Penat ..... D21/694  
D542,867 S \* 5/2007 Teruo ..... D21/688  
D596,247 S \* 7/2009 Wu ..... D21/694

(Continued)

**FOREIGN PATENT DOCUMENTS**

CN 305717077 \* 4/2020  
EM 003933910-0002 \* 5/2017

(Continued)

**OTHER PUBLICATIONS**

Hurtle Fitness Vibration Platform, available on Amazon.com, date first available Mar. 7, 2016, [site visited Jun. 10, 2022], URL: <https://www.amazon.com/Hurtle-Vibration-Platform-Equipment-HURVBTR30/dp/B01CK31J0Y/> (Year: 2016).\*

(Continued)

*Primary Examiner* — Dana K Weiland  
*Assistant Examiner* — Emily Anna Saunders  
(74) *Attorney, Agent, or Firm* — Oliff PLC

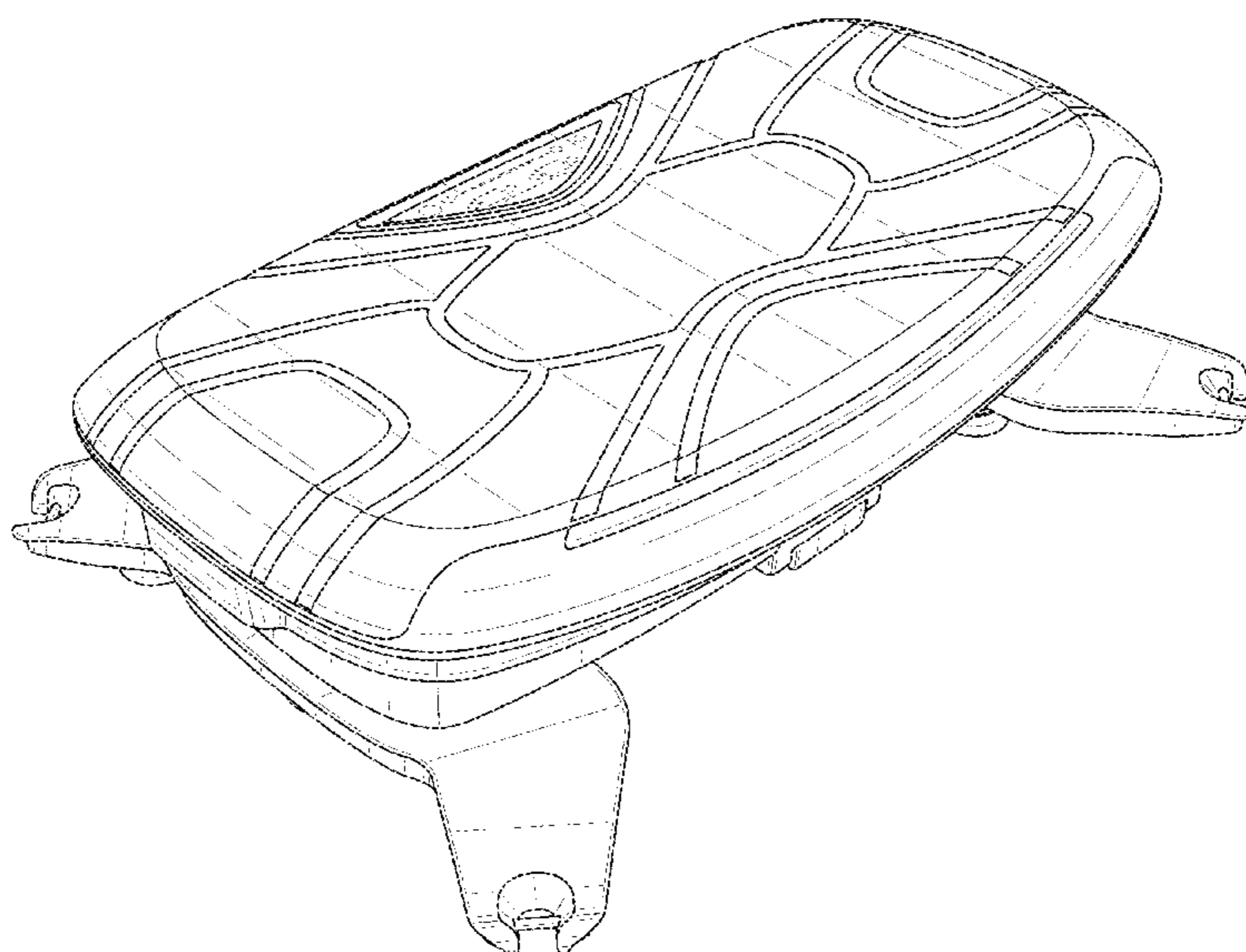
(57) **CLAIM**

The ornamental design for a stretching instrument, as shown and described.

**DESCRIPTION**

FIG. 1 is a top plan view of the stretching instrument, showing the new design;  
FIG. 2 is a bottom plan view thereof;  
FIG. 3 is a left-side elevational view thereof;  
FIG. 4 is a right-side elevational view thereof;  
FIG. 5 is a front elevational view thereof;  
FIG. 6 is a rear elevational view thereof;  
FIG. 7 is a rear, right-side, top perspective view thereof;  
FIG. 8 is a front, bottom, right-side perspective view thereof;  
FIG. 9 is a front, left-side, top perspective view thereof; and,  
FIG. 10 is a rear, left-side, bottom perspective view thereof.  
The broken lines depict parts of the stretching instrument that form no part of the claimed design.

**1 Claim, 10 Drawing Sheets**



(56)

## References Cited

## U.S. PATENT DOCUMENTS

D627,012	S	*	11/2010	Wu	.....	D21/662
D680,599	S	*	4/2013	Orenstein	.....	D21/671
D753,777	S	*	4/2016	Radtke	.....	D21/686
D855,718	S	*	8/2019	Hsu	.....	D21/671
D902,612	S	*	11/2020	Hu	.....	D6/349
D921,778	S	*	6/2021	Grbic	.....	D21/686
2015/0105228	A1	*	4/2015	Lalaoua	.....	A63B 23/0222 482/142
2017/0080284	A1	*	3/2017	Hillson	.....	A63B 21/4033

## FOREIGN PATENT DOCUMENTS

GB	8082300000-1000	*	11/2013
GB	9007307194-0010	*	11/2019
GB	9007307194-0011	*	11/2019
JP	D1643491	*	10/2019
JP	D1643491 S	*	10/2019
JP	D1655389	*	3/2020
JP	D1673990	*	12/2020
JP	D1689081	*	7/2021
JP	D1689082	*	7/2021
TW	201637-0001	*	12/2019
TW	213123-0001	*	8/2021

## OTHER PUBLICATIONS

VT003F High Frequency Vibration Plate, available on Amazon.com, date first available Jul. 29, 2017, [site visited Jun. 10, 2022], URL: <https://www.amazon.com/Frequency-Vibration-Platform-Machine-Fitness/dp/B074D5HGKZ/> (Year: 2017).\*

ZENY Vibration Plate, available on Amazon.com, date first released Apr. 8, 2017, [site visited Jun. 10, 2022], URL: <https://www.amazon.com/ZENY-Vibration-Massager-Exercise-Platform/dp/B06Y4RN5MX> (Year: 2017).\*

LifePro Waver Vibration Plate, available on Amazon.com, date first available Jan. 18, 2018, [site visited Jun. 10, 2022], URL: <https://www.amazon.com/dp/B0794BXVY4> (Year: 2018).\*

LifePro Rumblex Plus 4D Vibration Plate, available on Amazon.com, date first available Apr. 8, 2019, [site visited Jun. 10, 2022], URL: <https://www.amazon.com/LifePro-Rumblex-Vibration-Exercise-Machine/dp/B07QJ2K219/> (Year: 2019).\*

EILISON FitMax 3D XL Vibration Plate, available on Amazon.com, date first available Oct. 8, 2019, [site visited Jun. 10, 2022], URL: <https://www.amazon.com/dp/B07YWG62H/> (Year: 2019).\*

BARWING Vibration Plate, available on Amazon.com, date first available Aug. 31, 2020, [site visited Jun. 10, 2022], URL: <https://www.amazon.com/BARWING-Vibration-Platform-Training-Equipment/dp/B08C2J4ZMR> (Year: 2020).\*

Rock N Fit, available on buyfitnation.com, oldest customer review Sep. 14, 2020, [site visited Jun. 10, 2022], URL: [https://www.buyfitnation.com/products/rock-n-fit?gclid=EAIalQobChMlqNv9xrmj-AIVFvbjBx3XEArfEAQYyABEgKrWfD\\_BwE](https://www.buyfitnation.com/products/rock-n-fit?gclid=EAIalQobChMlqNv9xrmj-AIVFvbjBx3XEArfEAQYyABEgKrWfD_BwE) (Year: 2020).\*

Lifepro Waver Mini Vibration Plate, available on Amazon.com, date first available Sep. 5, 2020, [site visited Jun. 10, 2022], URL: <https://www.amazon.com/dp/B08HK1CQ4D/> (Year: 2020).\*

Segawe Vibrate Plate, available on Walmart.com, oldest customer review Jun. 28, 2020, [site visited Jun. 10, 2022], URL: <https://www.walmart.com/ip/Segawe-Fitness-Vibration-Plate-Machine-Vibrating-Massager-Whole-Full-Body-Shaker-Exercise-Machine-Platform-Fit-Massage-Workout-Trainer-Two-Bands-Remo/887439077> (Year: 2020).\*

2020 Good Design Award, available on g-mark.org, market release pending Apr. 2021, [site visited Jun. 10, 2022], URL: <https://www.g-mark.org/award/describe/49958?token=UEExzUem8L> (Year: 2021).\*

3D Balance Blade, available on IFDesign.com, launch date 2021, [site visited Jun. 10, 2022], URL: <https://ifdesign.com/en/brands-creatives/company/dream-factory-inc/18384> (Year: 2021).\*

3D Balance Blade, available on dr-air.com, release date Jul. 8, 2021, [site visited Jun. 10, 2022], URL: <https://www.dr-air.com/jp/ja/products/3d-balance-blade/> (Year: 2021).\*

Rizap 3D Balance Blade, available on prtmes.jp, article published Jul. 8, 2021, [site visited Jun. 10, 2022], URL: <https://prtmes.jp/main/html/rd/p/000000250.000013584.html> (Year: 2021).\*

Power Plate, available on powerplate.com, oldest customer review Nov. 2021, [site visited Jun. 10, 2022], URL: <https://powerplate.com/products/power-plate-move> (Year: 2021).\*

T-Zone Vibration Plate, available on t-zonevibration.com, oldest customer review Nov. 13, 2021, [site visited Jun. 10, 2022], URL: <https://t-zonevibration.com/product/he-90-vibration-plate-exercise-machine/#reviews> (Year: 2021).\*

Nov. 9, 2020 Decision of Registration for Japanese Design Application No. 2020-016213.

Nov. 9, 2020 Notification for Japanese Design Application No. 2020-016213.

Dream Factory Inc., Homepage, (Japan Patent Office Design Division Public Document No. HJ31065071).

Aug. 16, 2019 International Bureau design gazette, DM/201 154, (Japan Patent Office Design Division Public Document No. HH31510915).

Jun. 4, 2018 European Union gazette, 005283066-0001, (Japan Patent Office Design Division Public Document No. HH30203263).

Nov. 5, 2019 European Union gazette, 00698396-0003, (Japan Patent Office Design Division Public Document No. HH31206024).

\* cited by examiner

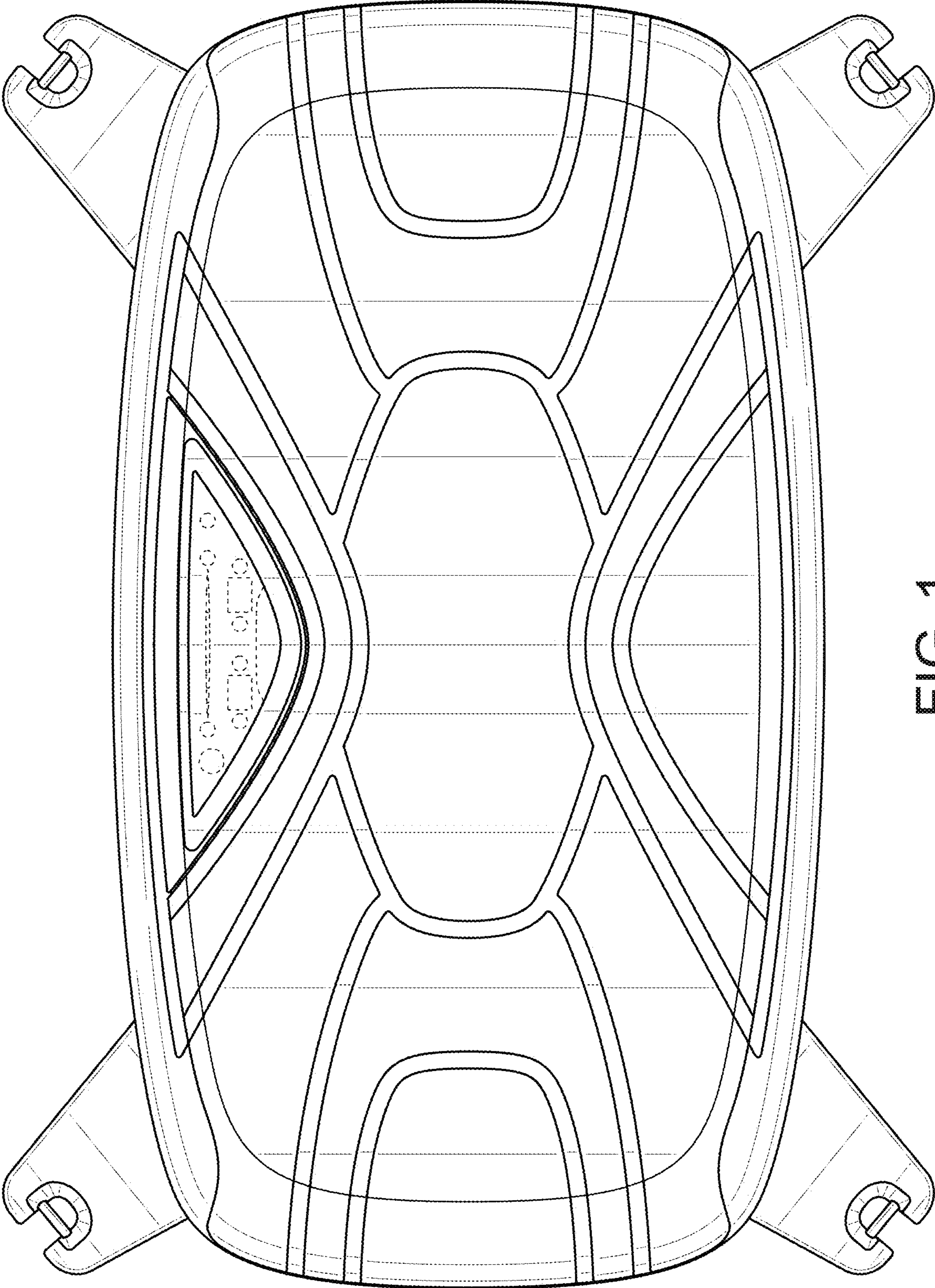


FIG. 1

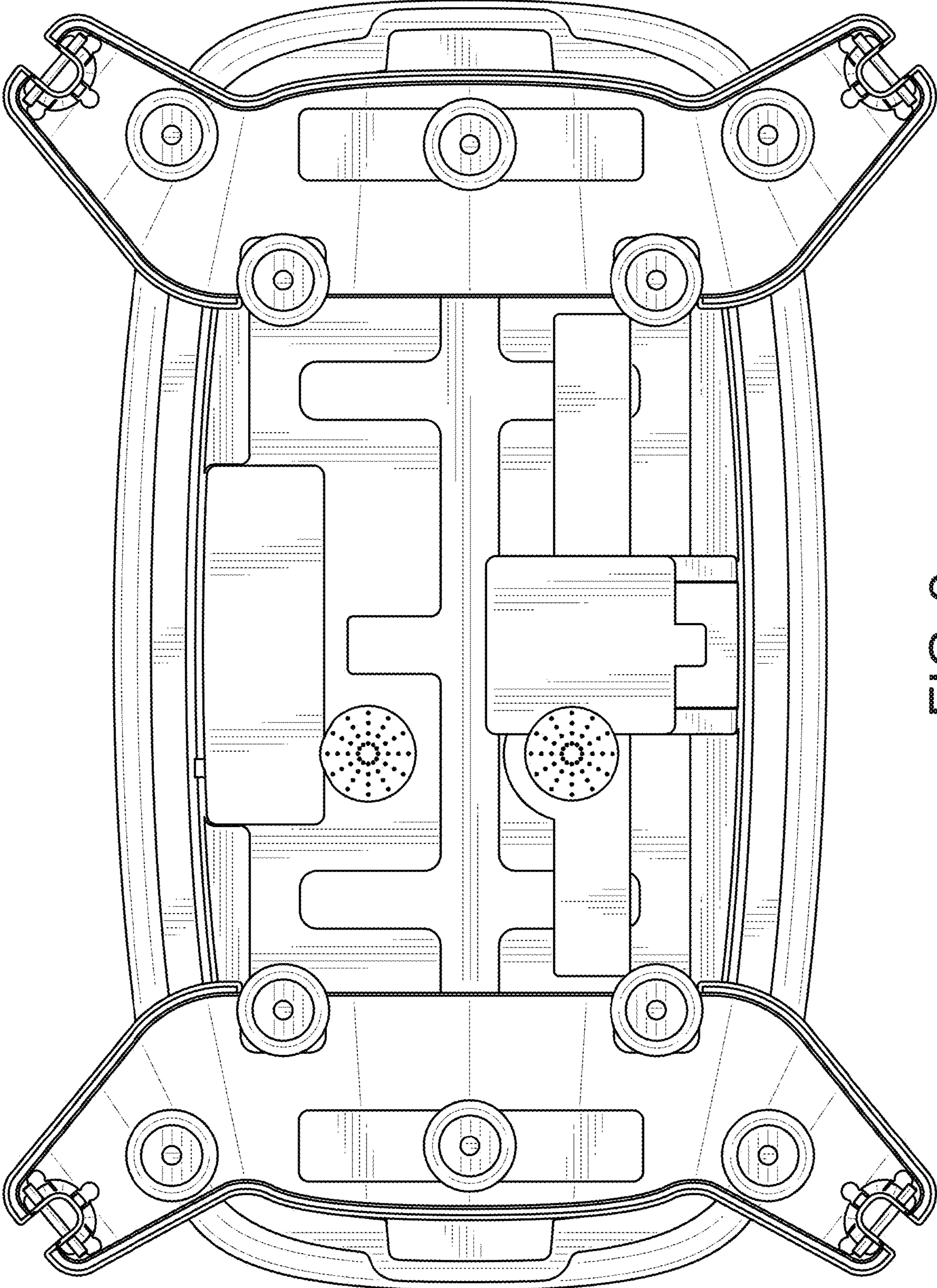


FIG. 2

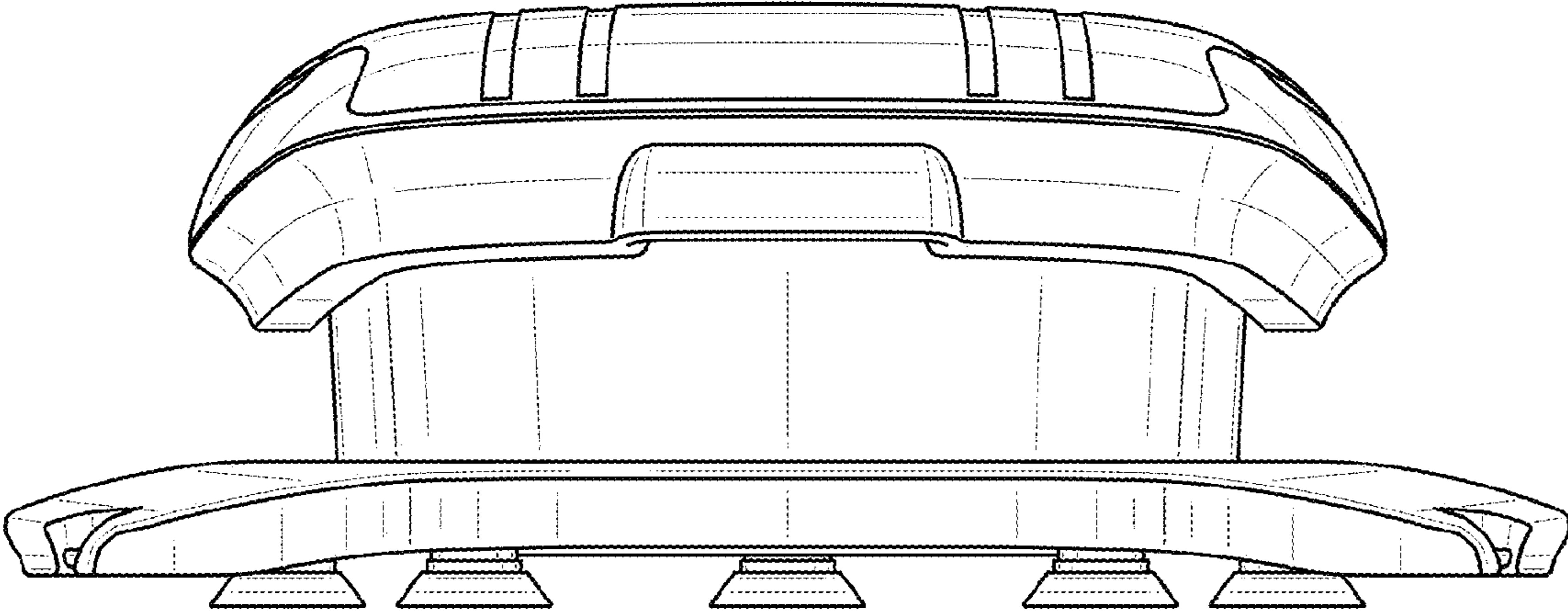


FIG. 3

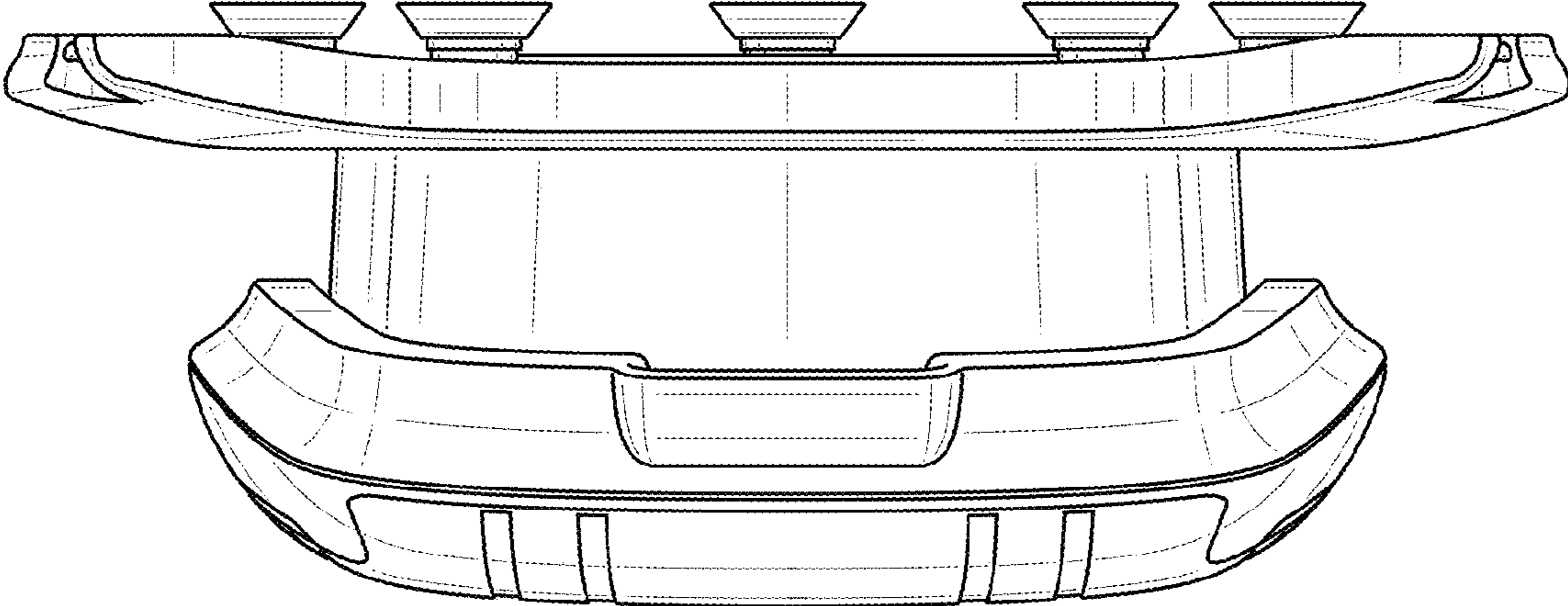


FIG. 4

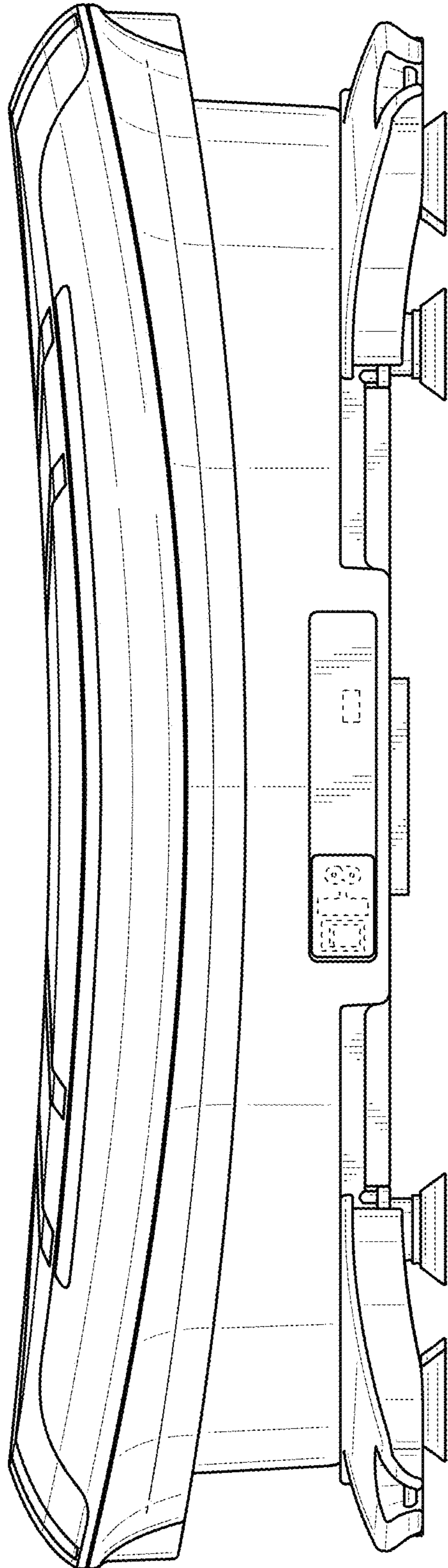


FIG. 5

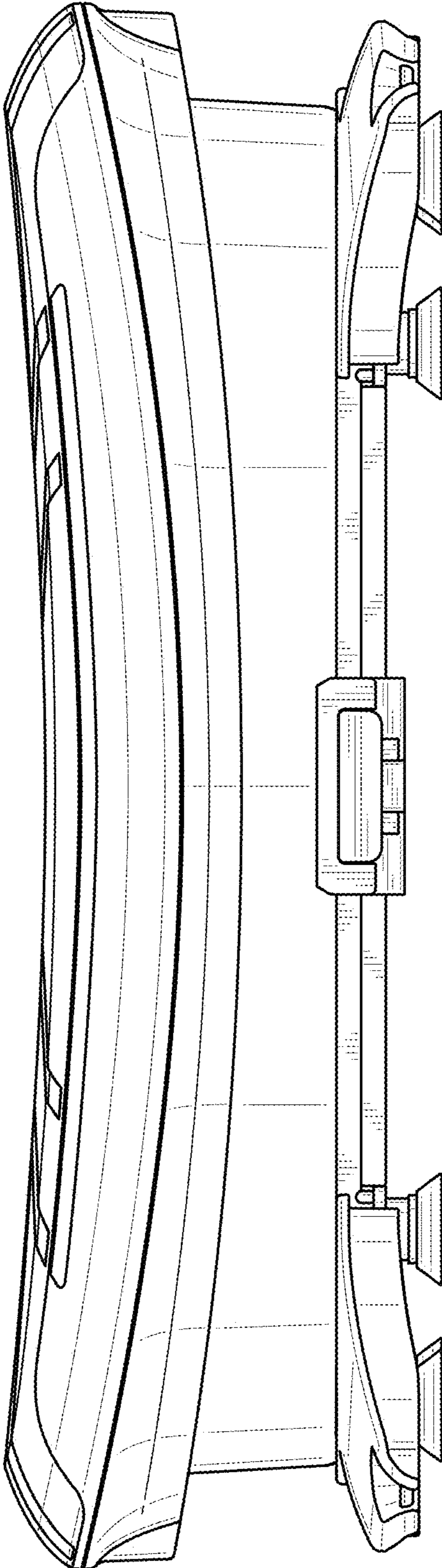


FIG. 6



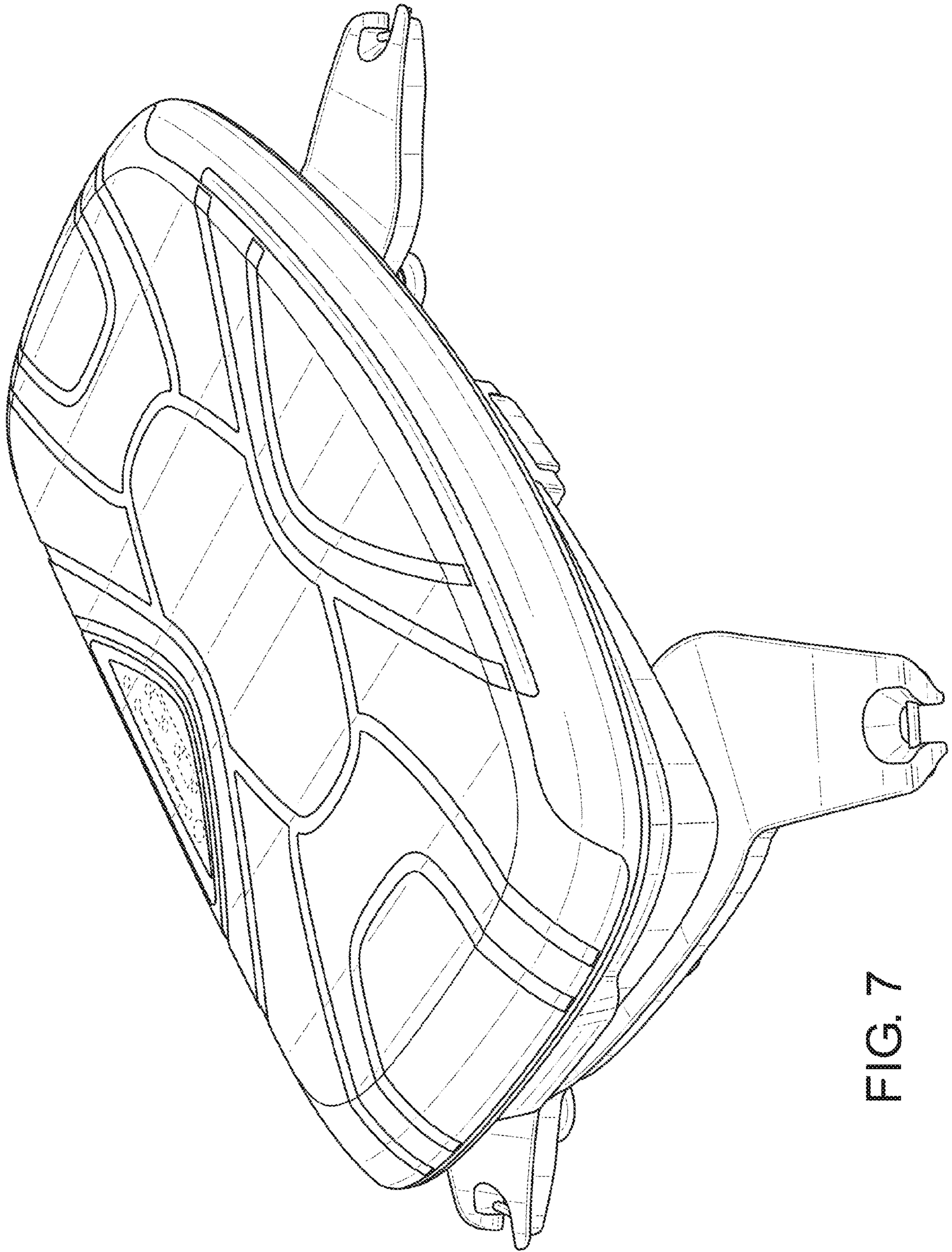


FIG. 7

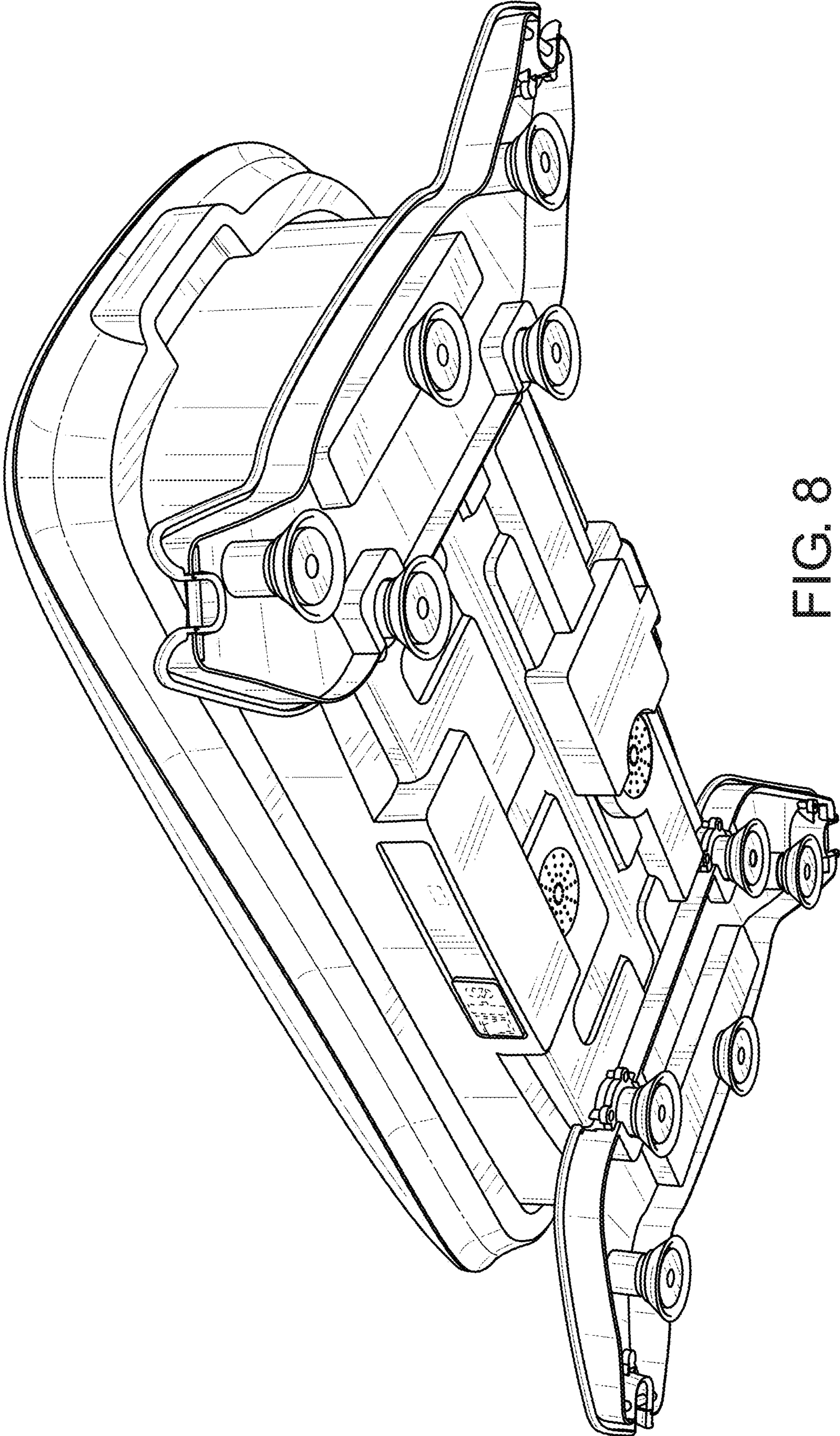


FIG. 8

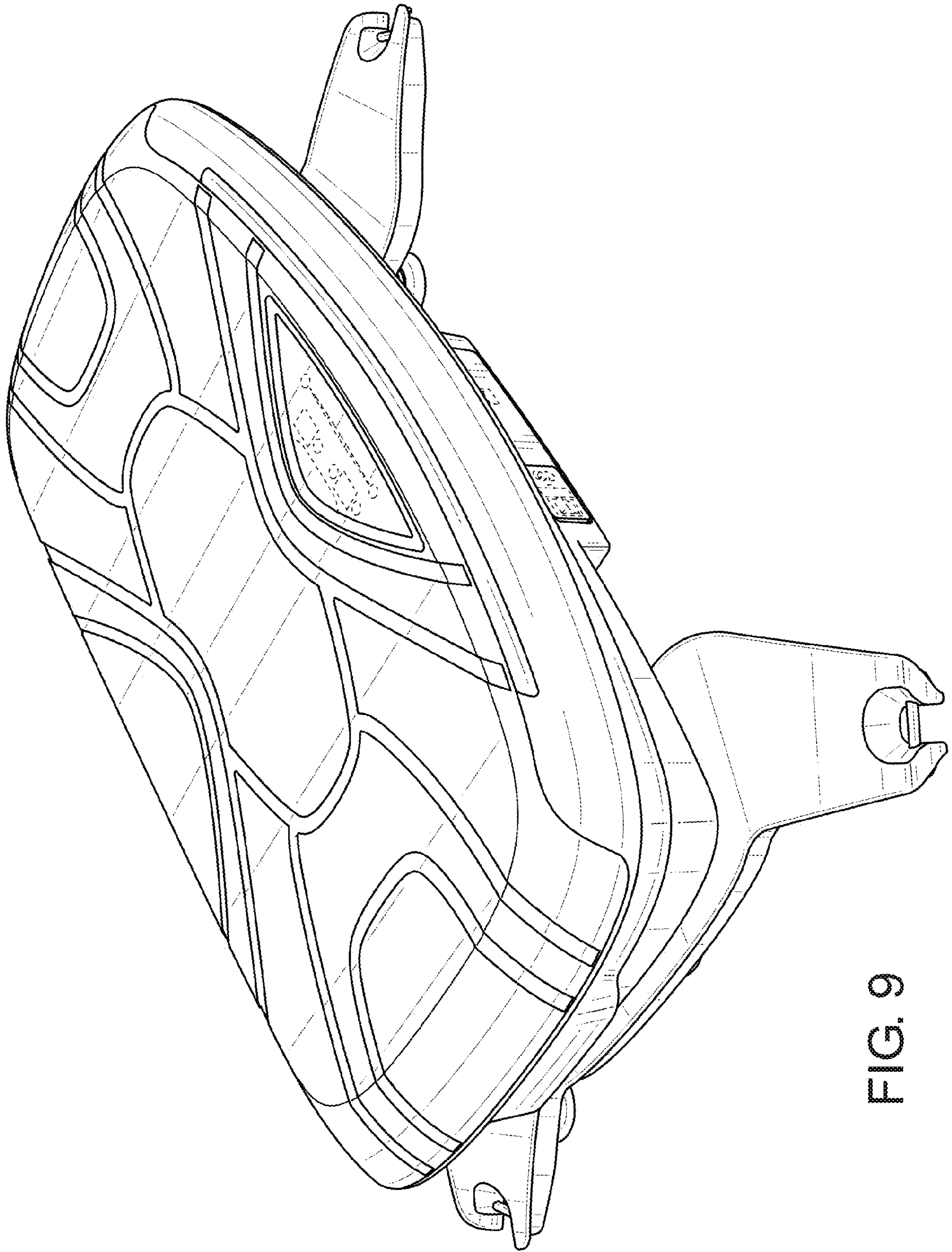


FIG. 9

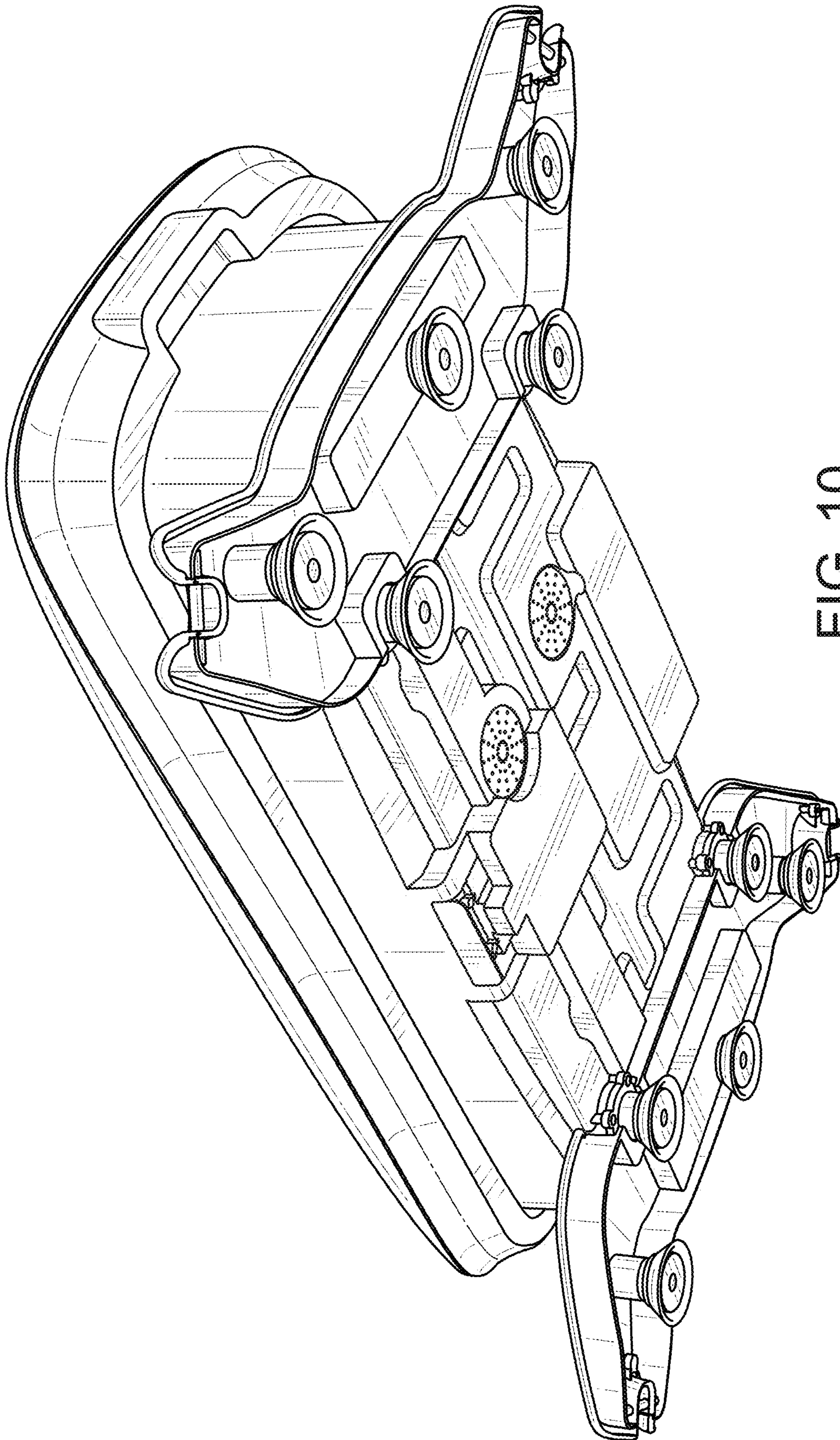


FIG. 10