



US00D965086S

(12) **United States Design Patent** (10) **Patent No.:** **US D965,086 S**  
**Cao** (45) **Date of Patent:** **\*\* Sep. 27, 2022**

- (54) **TWIST HAND EXERCISER**
- (71) Applicant: **Yiwu Quanren Trading Co., Ltd.,**  
Yiwu (CN)
- (72) Inventor: **Beihuang Cao, Yiwu (CN)**
- (73) Assignee: **Yiwu Quanren Trading Co., Ltd.,**  
Yiwu (CN)
- (\*\*) Term: **15 Years**
- (21) Appl. No.: **29/814,110**
- (22) Filed: **Nov. 3, 2021**
- (51) **LOC (13) Cl.** ..... **21-02**
- (52) **U.S. Cl.**  
USPC ..... **D21/684**
- (58) **Field of Classification Search**  
USPC ..... D21/692, 681, 694, 662, 675, 677, 679,  
D21/680, 684; D24/215, 211  
See application file for complete search history.

(56) **References Cited**  
U.S. PATENT DOCUMENTS

881,438	A *	3/1908	Nohl	.....	A63B 23/16 482/50
1,412,691	A *	4/1922	Lincoln	.....	A63B 23/16 482/49
D428,946	S	8/2000	Boorstein		
D710,241	S *	8/2014	Vaughan	.....	D11/81
D717,963	S *	11/2014	Milton	.....	D24/215
D724,161	S *	3/2015	Kuhne	.....	D24/211
D857,129	S *	8/2019	Lim	.....	D21/662
D879,887	S *	3/2020	Loftin, III	.....	D6/601
D906,447	S *	12/2020	Benton	.....	D21/681
D914,225	S *	3/2021	Mills	.....	D24/211
D930,765	S	9/2021	Ehtesham		
11,278,467	B2 *	3/2022	Moridaira	.....	A61H 15/00
D949,367	S *	4/2022	Wersland	.....	D24/211

2005/0045115	A1 *	3/2005	Mann	.....	A01K 15/026 119/711
2012/0309593	A1 *	12/2012	Smith	.....	A63B 23/16 482/49
2017/0304671	A1 *	10/2017	Hill	.....	A63B 21/0726

OTHER PUBLICATIONS

Tratac store, announced 2017 [online], [site visited Jun. 29, 2022], Available on internet, URL: <https://www.amazon.com/dp/B078SNKBJG/ref> (Year: 2017).\*

Zyllion store, announced 2018 [online], [site visited Jun. 29, 2022], Available on internet, URL: <https://www.amazon.com/dp/B07KJSGNDX/ref> (Year: 2018).\*

Nuxbo, announced 2019 [online], [site visited Jun. 29, 2022], Available on internet, URL: <https://www.amazon.com/Peanut-Massage-Ball-Sore-Muscles/dp/B07YZTXSV9/ref> (Year: 2019).\*

\* cited by examiner

*Primary Examiner* — Khawaja Anwar  
*Assistant Examiner* — Julice Seung Eun Oum  
 (74) *Attorney, Agent, or Firm* — ScienBiziP, P.C.

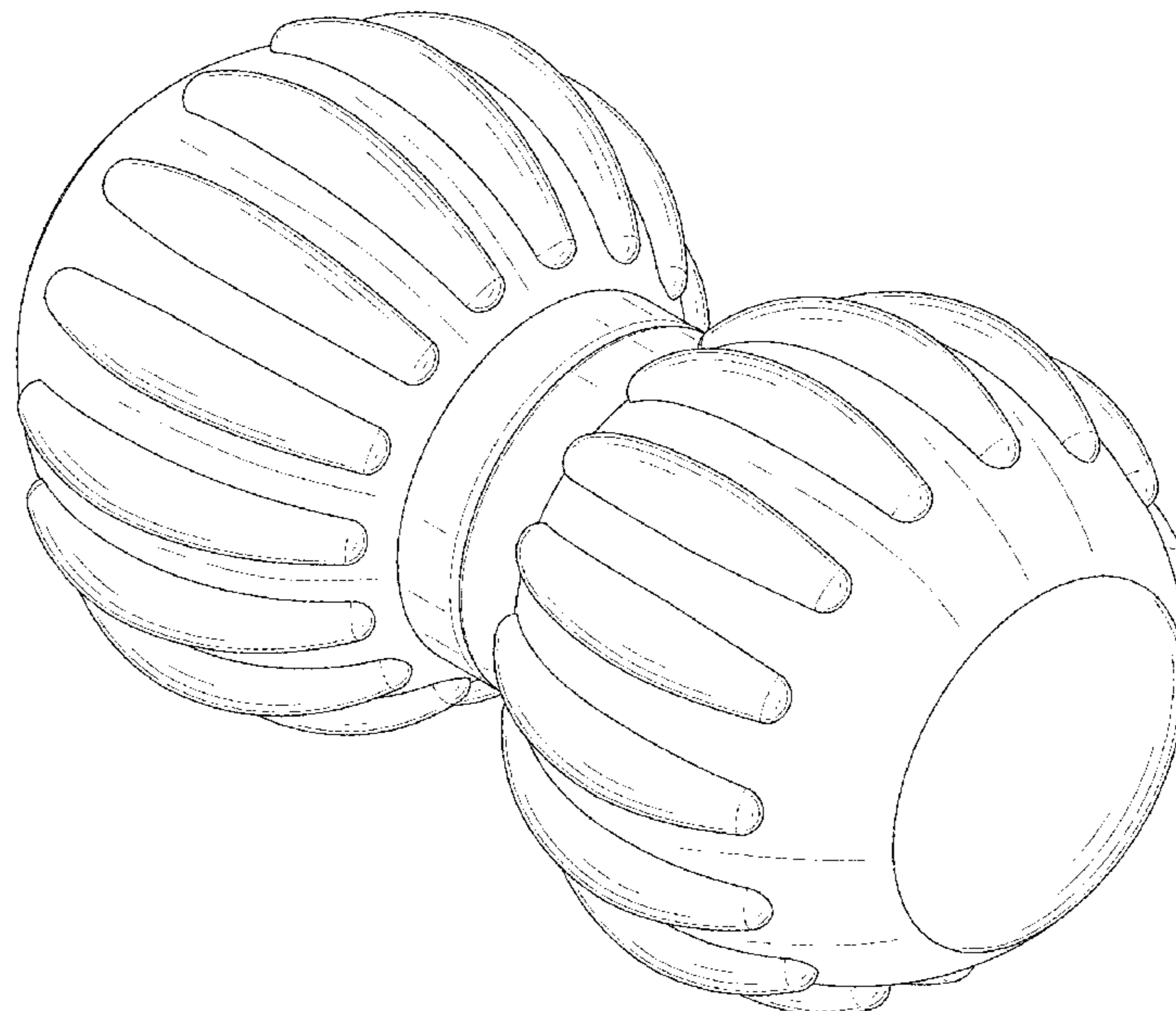
(57) **CLAIM**

The ornamental design for a twist hand exerciser, as shown and described.

**DESCRIPTION**

FIG. 1 is a front, right and top perspective view of a twist hand exerciser, showing my design.  
 FIG. 2 is a rear, left and bottom perspective view thereof.  
 FIG. 3 is a front elevation view thereof.  
 FIG. 4 is a rear elevation view thereof.  
 FIG. 5 is a left side elevation view thereof.  
 FIG. 6 is a right side elevation view thereof.  
 FIG. 7 is a top plan view thereof; and,  
 FIG. 8 is a bottom plan view thereof.

**1 Claim, 8 Drawing Sheets**



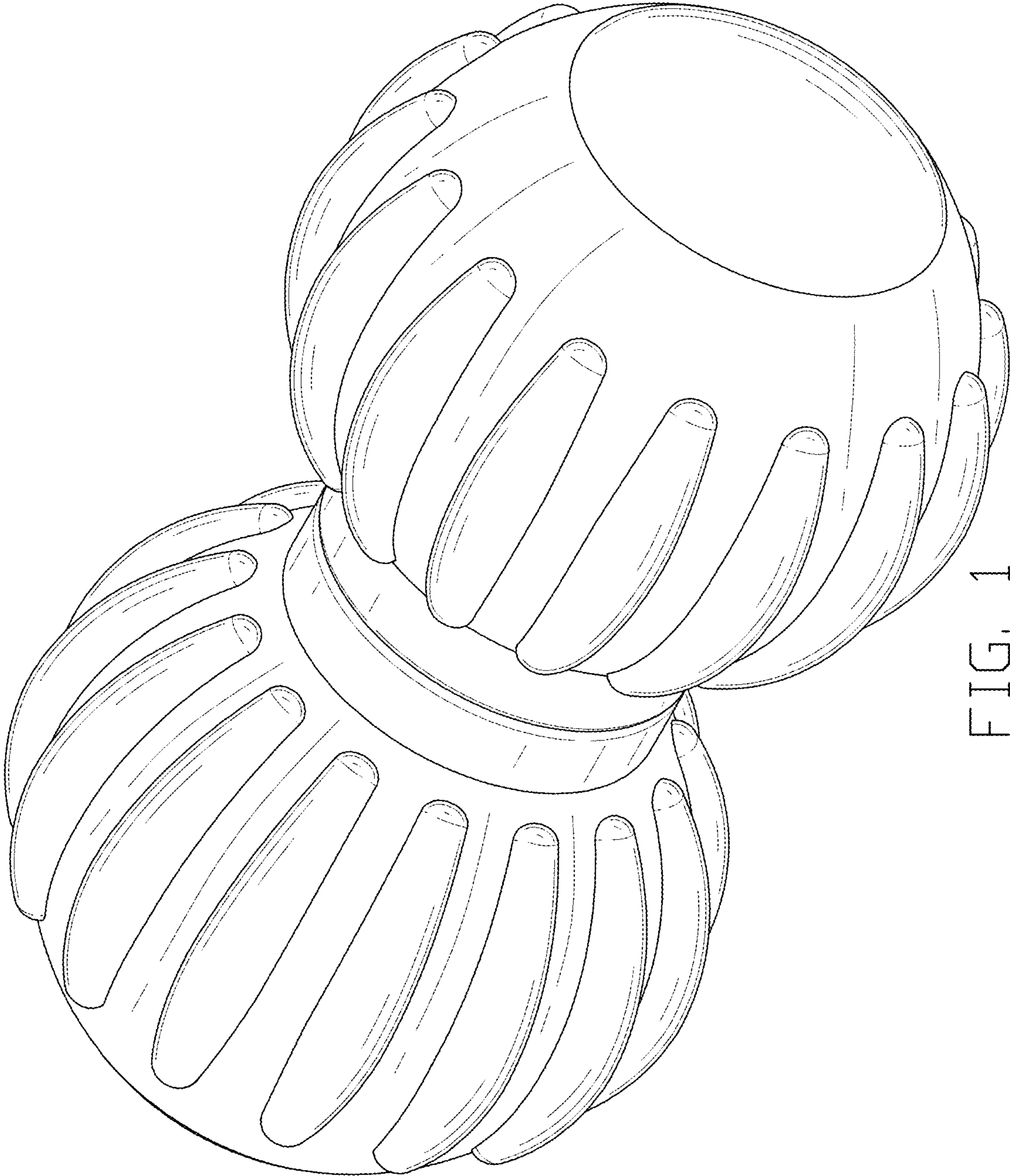


FIG. 1

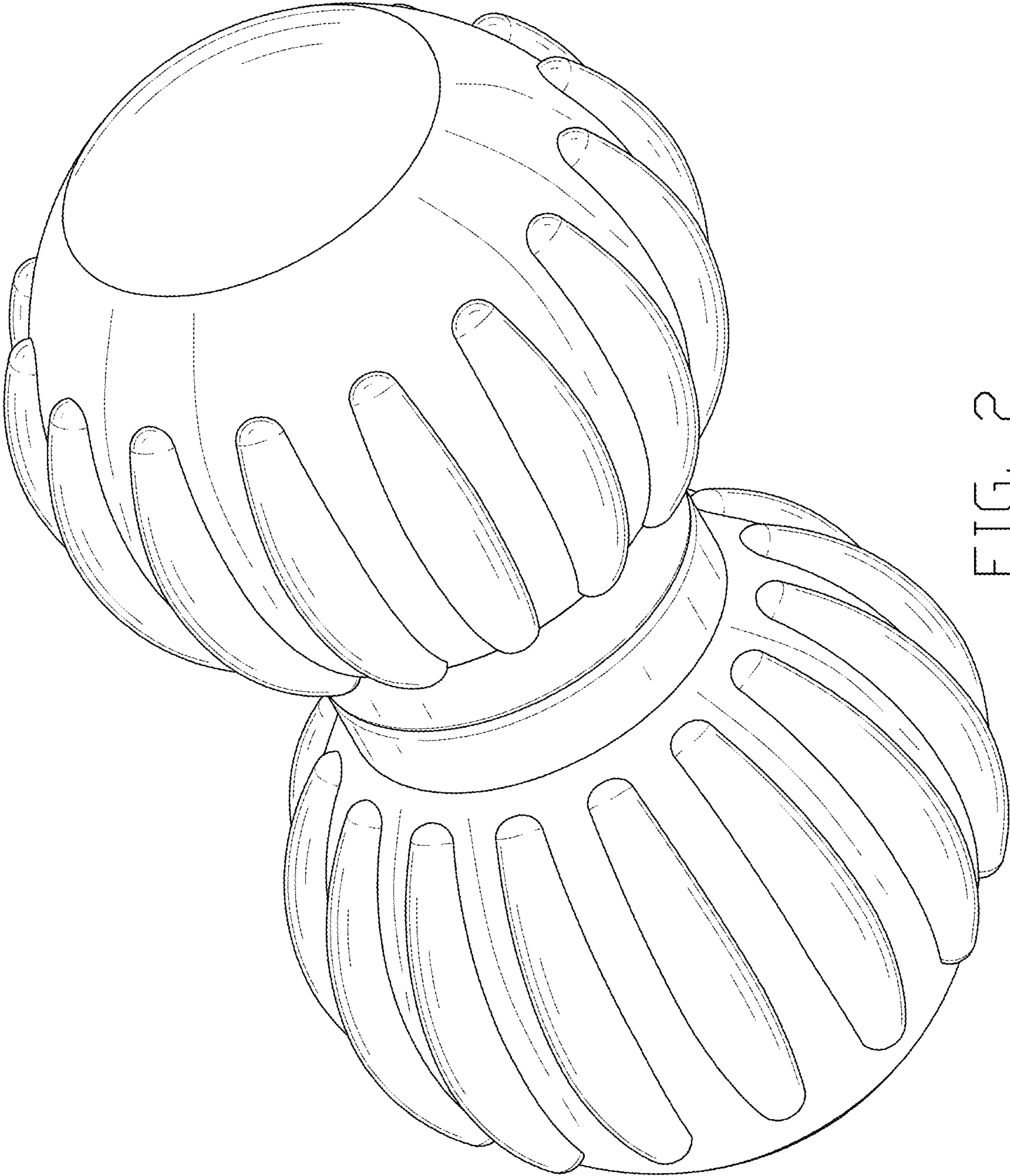


FIG. 2

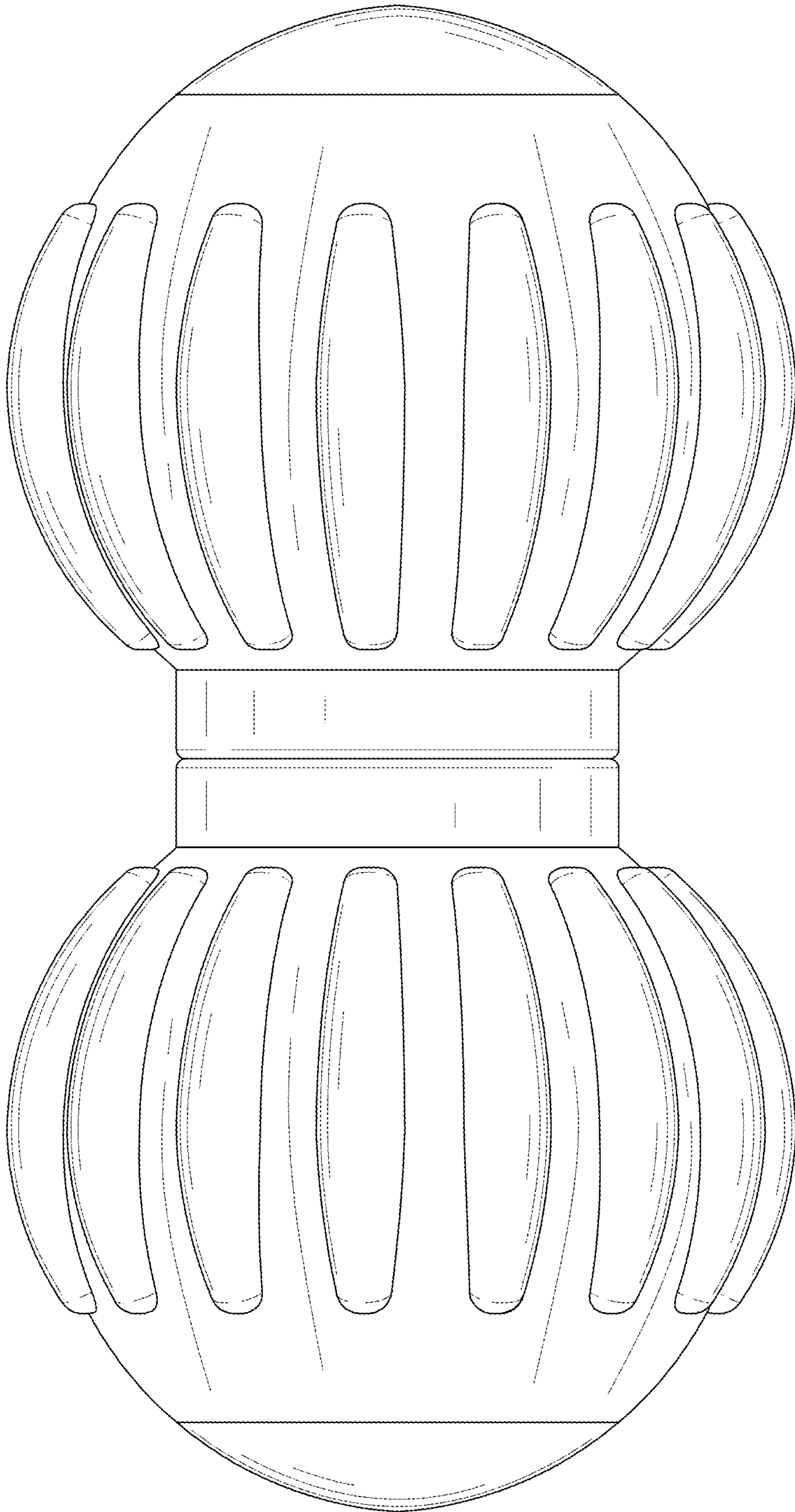


FIG. 3

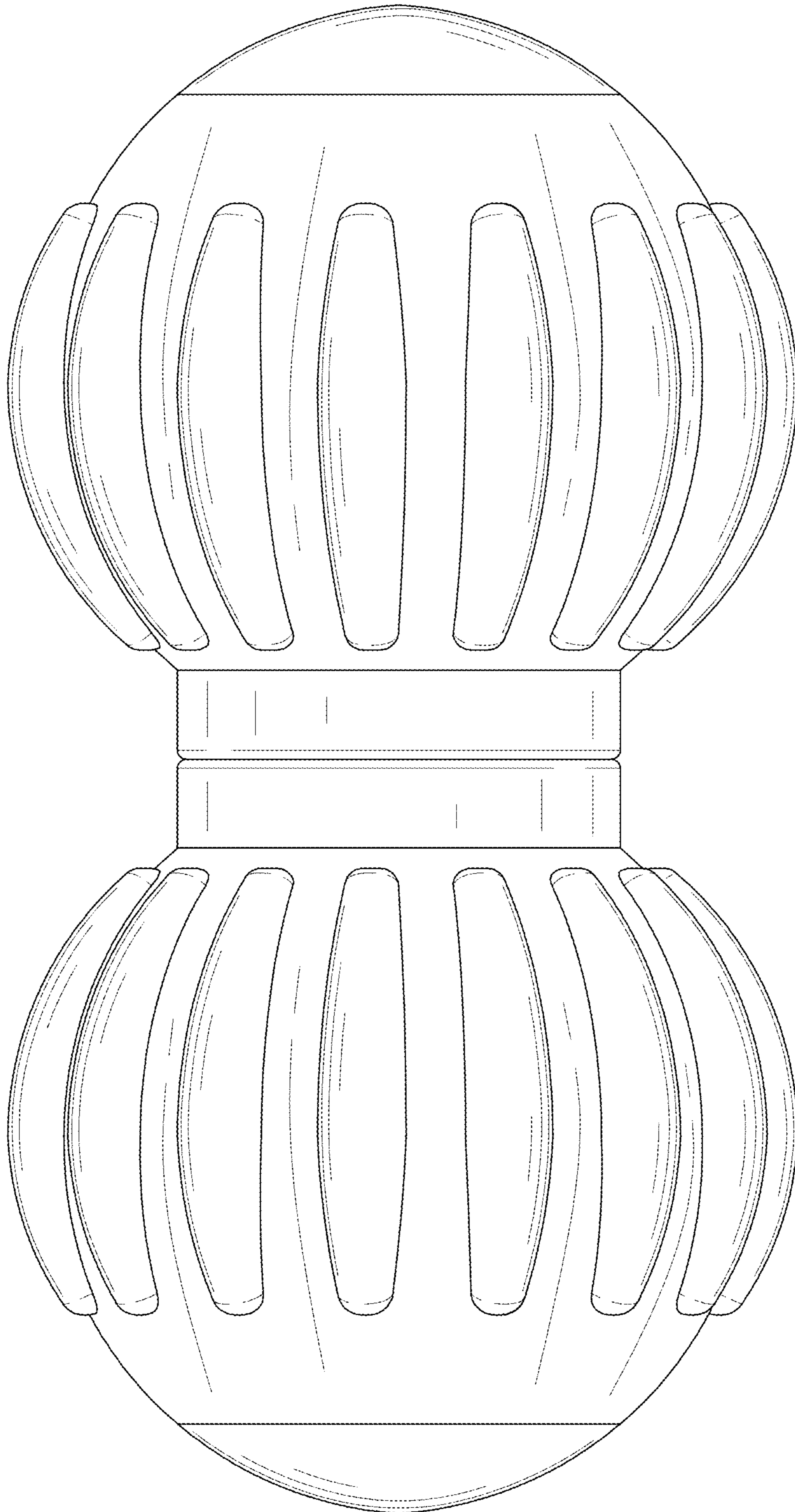


FIG. 4

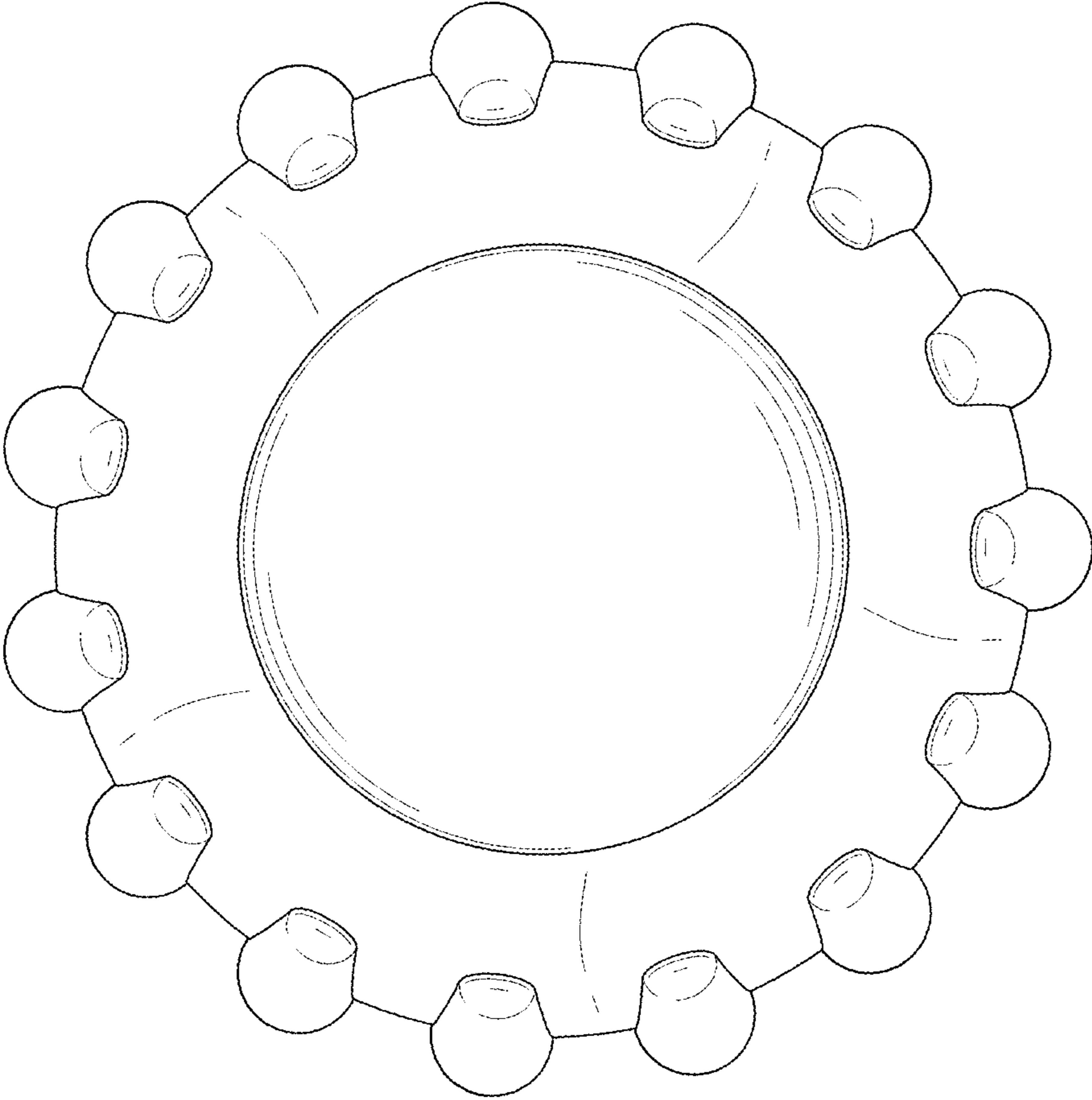


FIG. 5

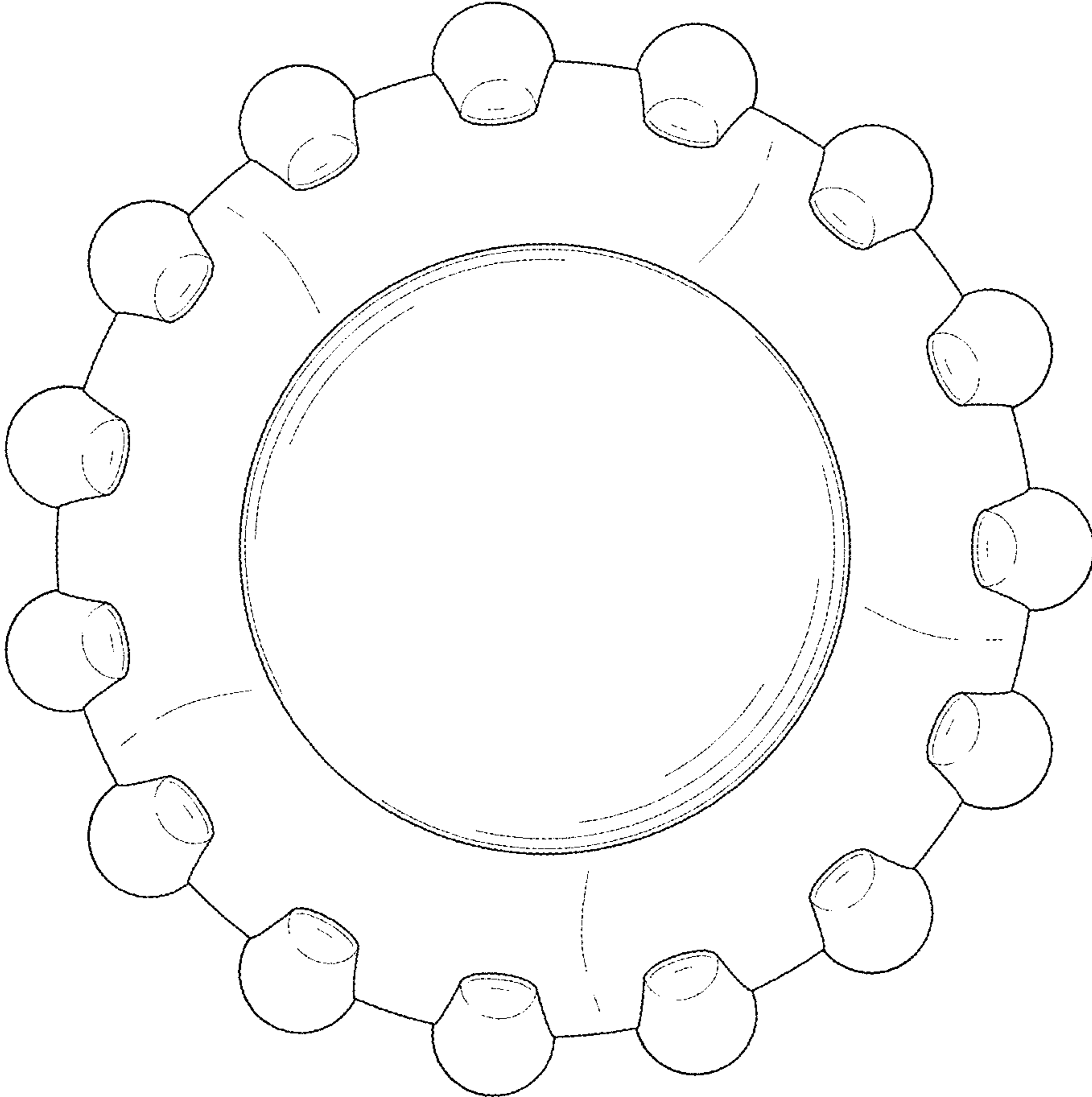


FIG. 6

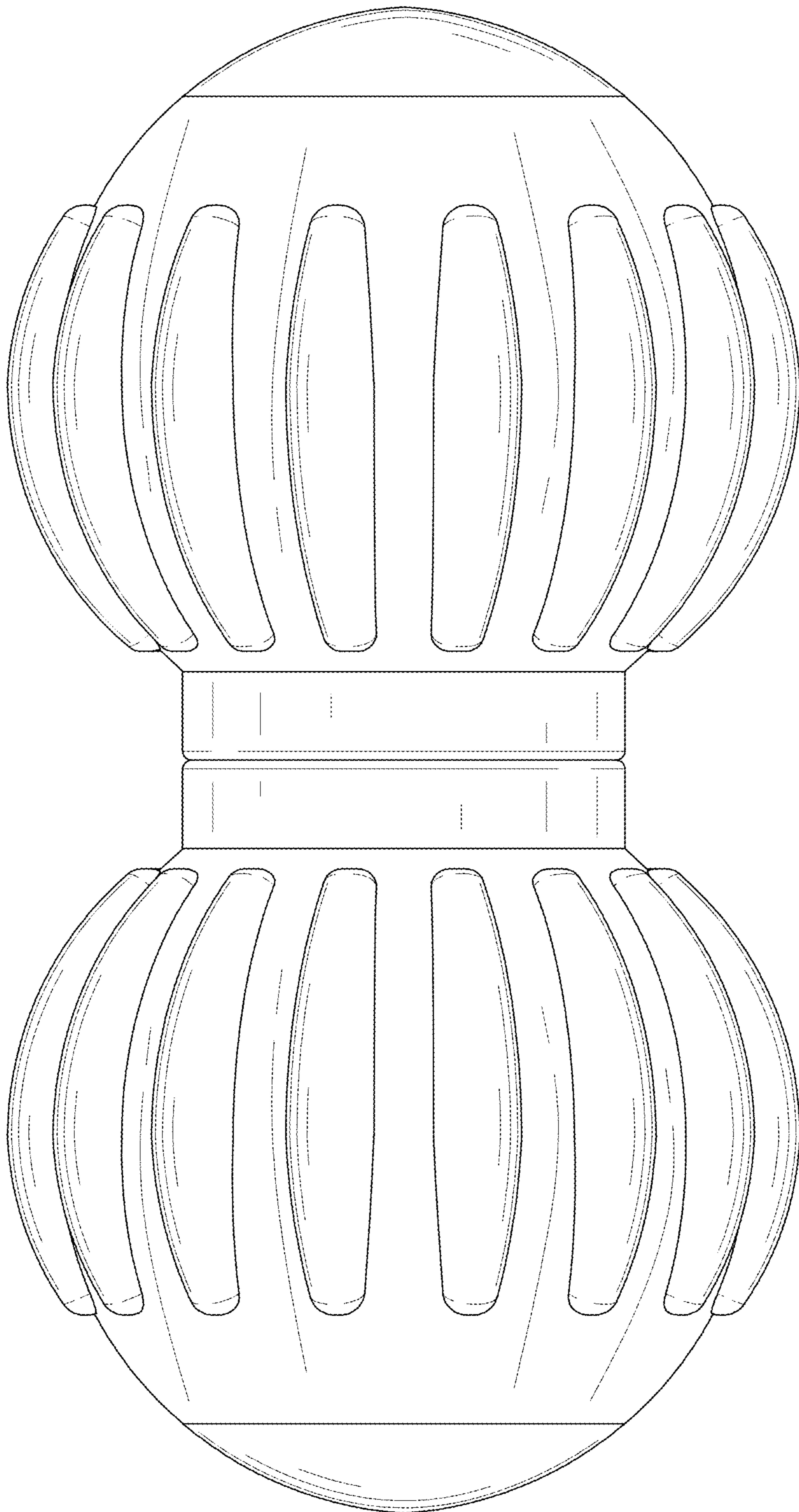


FIG. 7



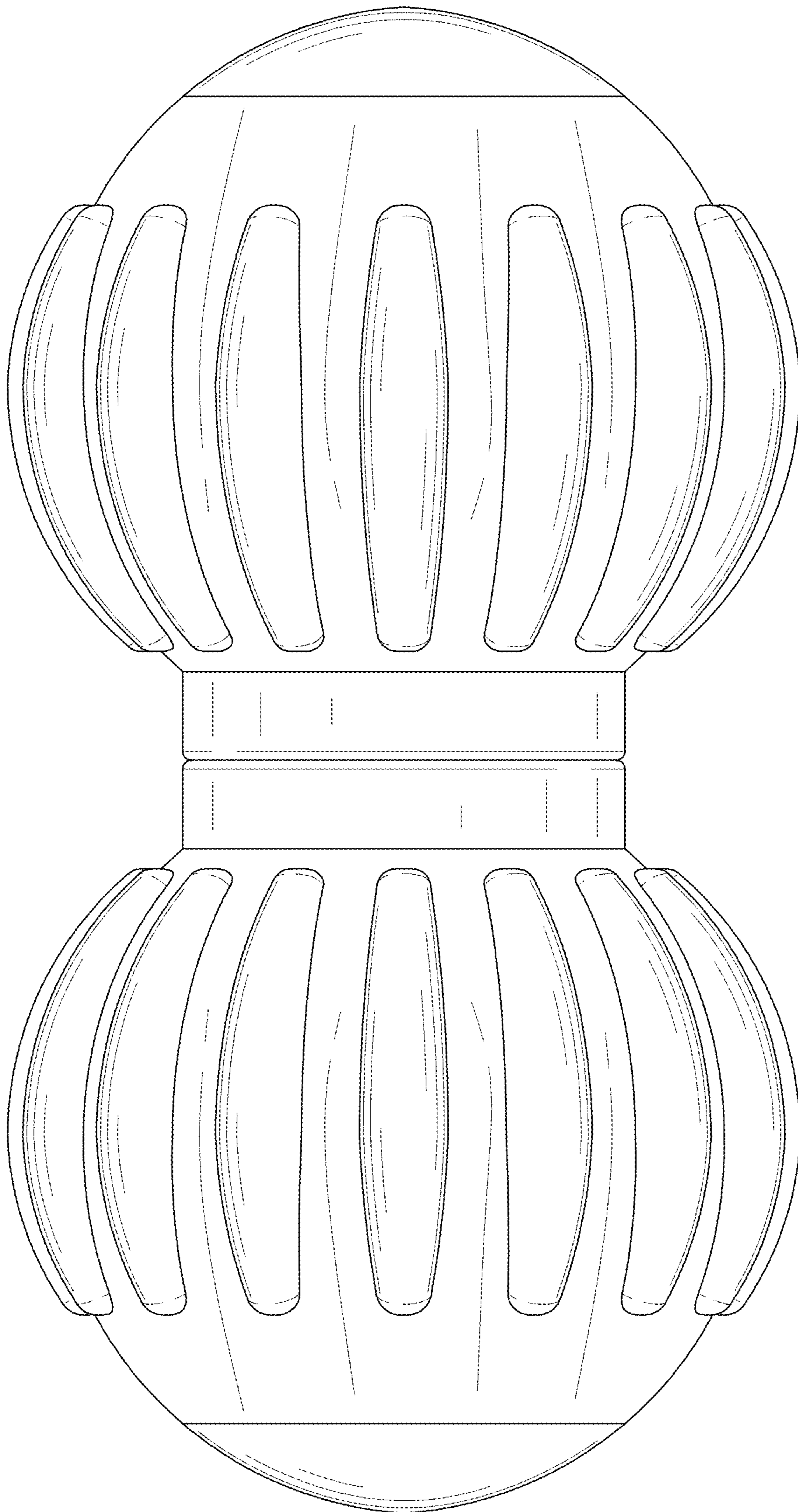


FIG. 8