



US00D965084S

(12) **United States Design Patent** (10) **Patent No.:** **US D965,084 S**
Cao (45) **Date of Patent:** **** Sep. 27, 2022**

(54) **ARM TRAINING BAR**
(71) Applicant: **Yiwu Quanren Trading Co., Ltd.,**
Yiwu (CN)
(72) Inventor: **Beihuang Cao, Yiwu (CN)**
(73) Assignee: **Yiwu Quanren Trading Co., Ltd.,**
Yiwu (CN)
(**) Term: **15 Years**
(21) Appl. No.: **29/814,111**
(22) Filed: **Nov. 3, 2021**
(51) **LOC (13) Cl.** **21-02**
(52) **U.S. Cl.**
USPC **D21/679**
(58) **Field of Classification Search**
USPC D21/686, 662, 679, 694, 797, 673, 670,
D21/665, 687, 682, 692, 684, 677;
D24/215, 36
See application file for complete search history.

D770,579 S * 11/2016 Chang A63B 23/1227
D21/691
9,808,665 B1 * 11/2017 Demarais A63B 21/4035
D807,972 S * 1/2018 Hao D21/679
(Continued)

OTHER PUBLICATIONS

Body back store, announced 2006 [online], [site visited Jun. 29, 2022]. Available on internet, URL:https://www.amazon.com/Wooden-Roller-Body-Back-Company/dp/B000KK2RJC/ref (Year: 2006).*
(Continued)

Primary Examiner — Khawaja Anwar
Assistant Examiner — Julice Seung Eun Oum
(74) *Attorney, Agent, or Firm* — ScienBiziP, P.C.

(57) **CLAIM**

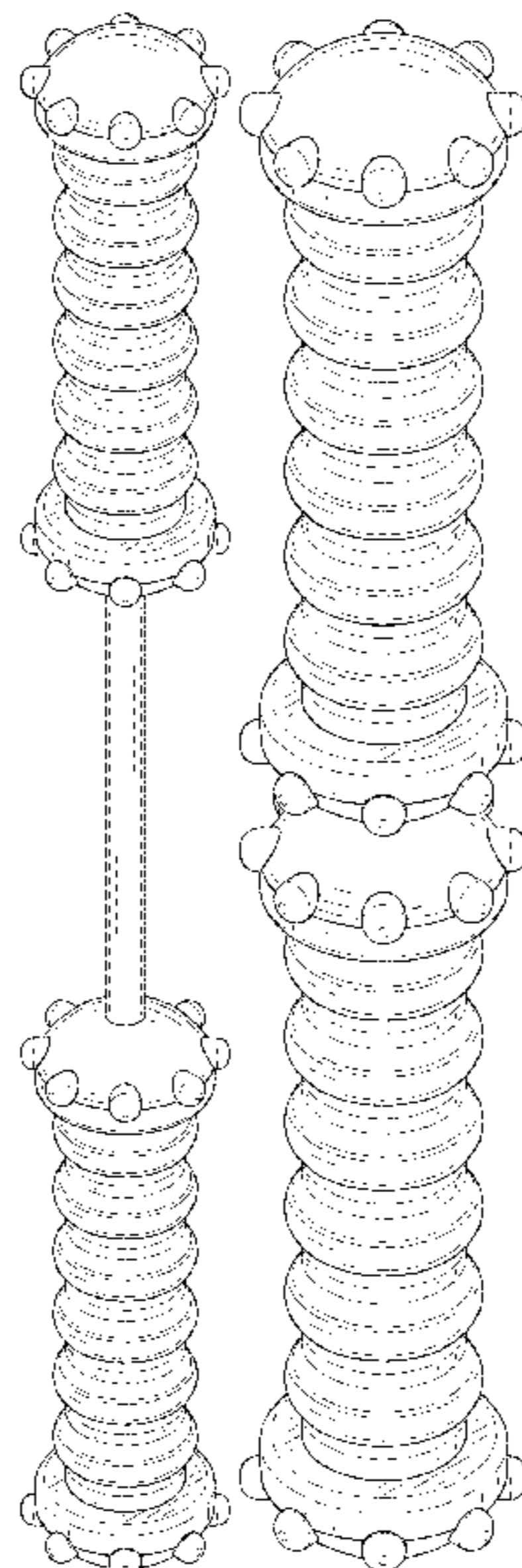
The ornamental design for an arm training bar, as shown and described.

DESCRIPTION

FIG. 1 is a front, right, and top perspective view of an arm training bar showing my design.
FIG. 2 is a rear, left, and bottom perspective view thereof.
FIG. 3 is a front elevation view thereof.
FIG. 4 is a rear elevation view thereof.
FIG. 5 is a left side elevation view thereof.
FIG. 6 is a right side elevation view thereof.
FIG. 7 is a top plan view thereof.
FIG. 8 is a bottom plan view thereof; and,
FIG. 9 is another front, right, and top perspective view of the arm training bar of FIG. 1 in another state.
The broken lines shown in the drawings are included for the purpose of illustrating portions of the arm training bar that form no part of the claimed design.

1 Claim, 9 Drawing Sheets

(56) **References Cited**
U.S. PATENT DOCUMENTS
D256,503 S * 8/1980 Moustakas D24/212
4,378,007 A * 3/1983 Kachadourian A61H 15/00
482/79
D271,051 S * 10/1983 McCoy D21/679
D337,827 S * 7/1993 Seng D24/212
D345,610 S * 3/1994 Shih D24/211
5,690,598 A * 11/1997 Liang A63B 23/14
482/121
D399,569 S * 10/1998 Wier D24/212
D643,540 S * 8/2011 Jian D24/211
D654,970 S * 2/2012 Daves D21/662
D676,140 S * 2/2013 Feightner D24/212
D688,384 S * 8/2013 Ateya Soliman D24/215
D717,016 S * 11/2014 Osenga D1/199
9,174,082 B1 * 11/2015 Marlow A63B 23/1209
D756,468 S * 5/2016 Chang D21/662



(56)

References Cited

U.S. PATENT DOCUMENTS

D847,276 S * 4/2019 Summers D21/679
D857,132 S * 8/2019 Dube D21/694
D862,617 S 10/2019 Henniger et al.
D873,356 S 1/2020 Henniger et al.
D925,750 S * 7/2021 Che D24/211
D942,557 S * 2/2022 Liu D21/672
2017/0216650 A1 * 8/2017 Simmons A63B 21/4045

OTHER PUBLICATIONS

Taview, announced 2021 [online], [site visited Jun. 29, 2022].
Available on internet, URL:<https://www.amazon.com/TAVIEW-Strengthener-Tendonitis-Rehabilitation-Equipment/dp/B09H2QZP21/ref> (Year: 2021).*

Sammons Preston, announced 2009 [online], [site visited Jun. 29, 2022]. Available on internet, URL:<https://www.amazon.com/Sammons-Preston-Strengthener-Rehabilitation-Supination/dp/B002BUHV5Y/ref> (Year: 2009).*

* cited by examiner

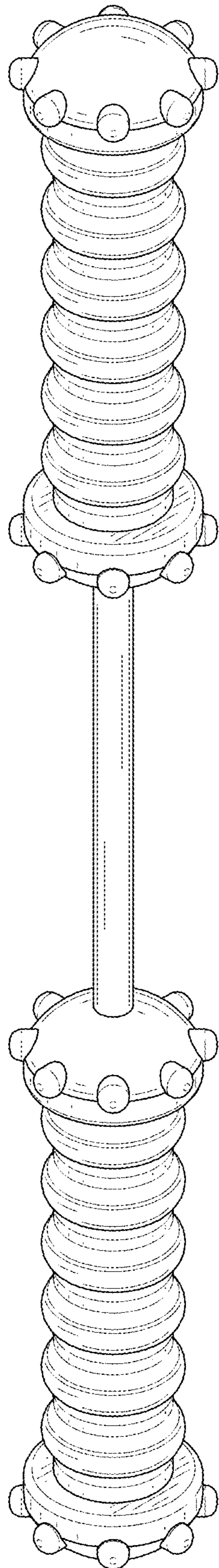


FIG. 1

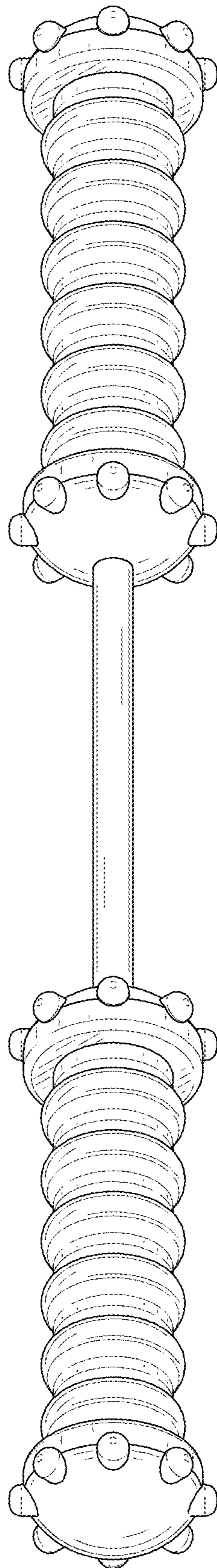


FIG. 2

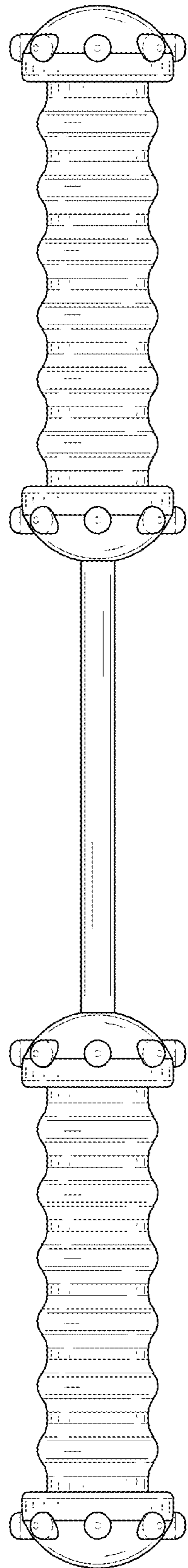


FIG. 3

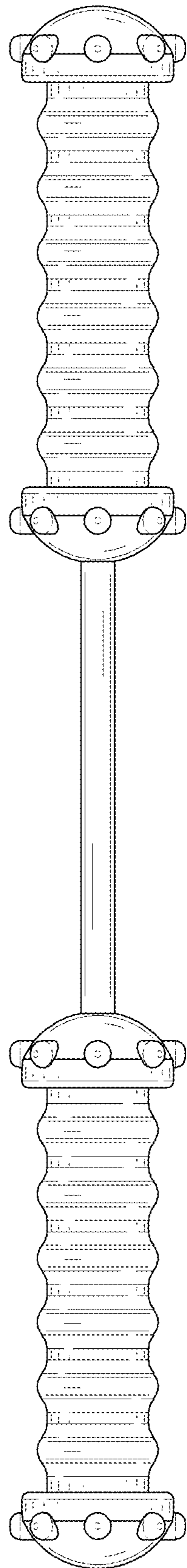


FIG. 4

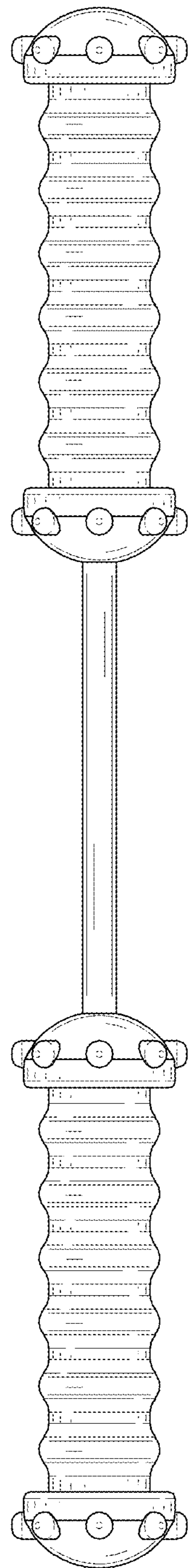


FIG. 5

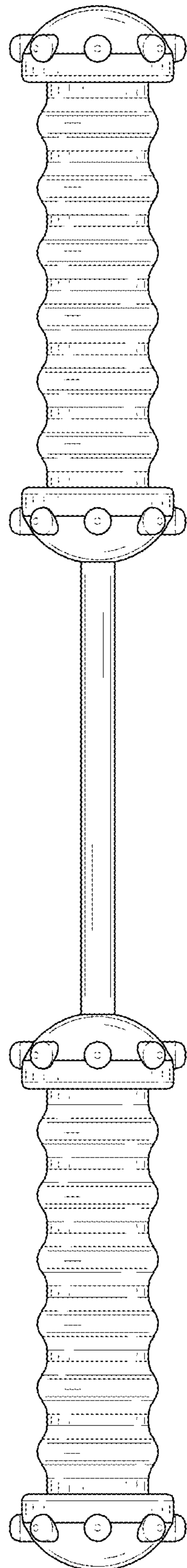


FIG. 6

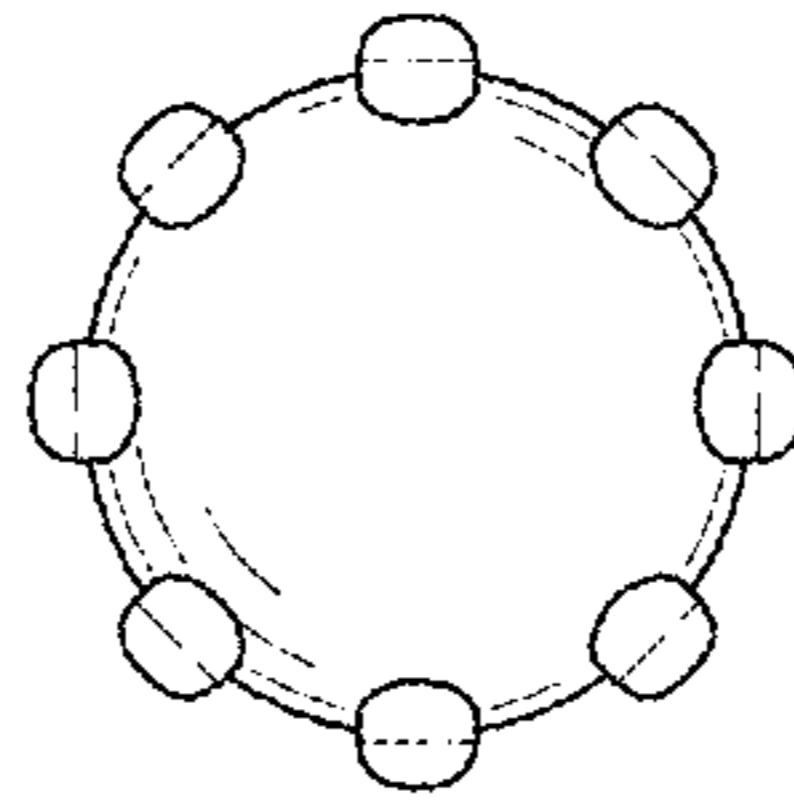


FIG. 7

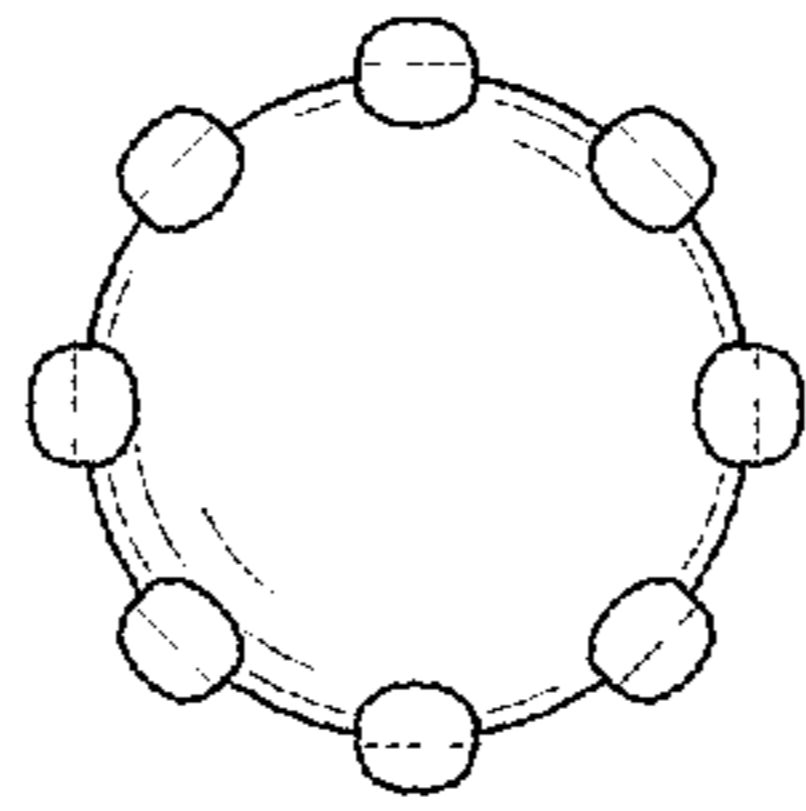


FIG. 8

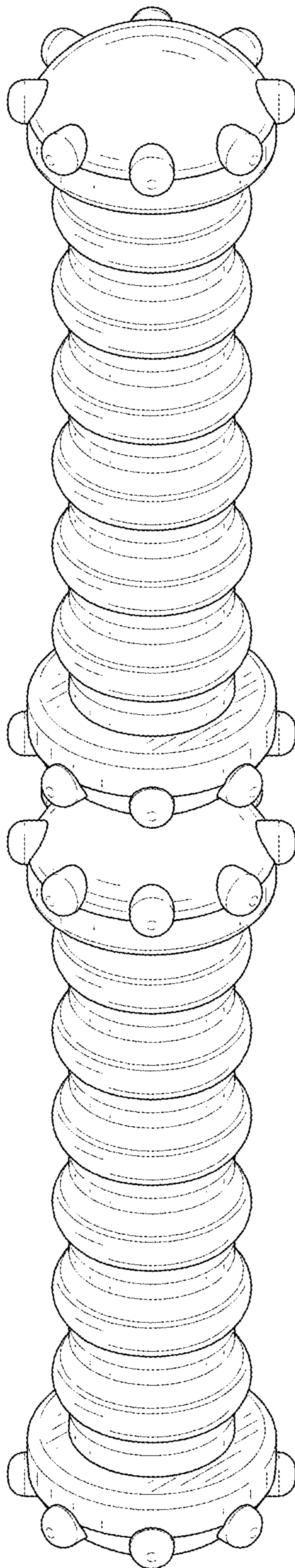


FIG. 9