



US00D965083S

(12) **United States Design Patent**
Feng et al.

(10) **Patent No.:** **US D965,083 S**
(45) **Date of Patent:** **** Sep. 27, 2022**

(54) **EXERCISE STEPPER**
(71) Applicant: **Ying Wang**, Jiangsu Province (CN)
(72) Inventors: **Jianjun Feng**, Shandong Province (CN); **Xiangui Shi**, Suzhou (CN)
(73) Assignee: **Ying Wang**, Jiangsu Province (CN)
(**) Term: **15 Years**

5,643,148 A * 7/1997 Naville A43B 13/183
482/79
D390,020 S * 2/1998 Huang D6/349
6,042,521 A * 3/2000 De Giorgis A63B 21/0004
482/79
D456,052 S * 4/2002 Steves D21/668
D461,211 S * 8/2002 Kuo D21/668
6,436,012 B1 * 8/2002 Naville A43B 13/184
482/121
D465,001 S * 10/2002 Chiang-Chow D21/668
(Continued)

(21) Appl. No.: **29/791,039**
(22) Filed: **Dec. 27, 2021**

OTHER PUBLICATIONS

Aerobic by Artist Unknown dated Dec. 29, 2021. Found online [Jul. 27, 2022] <https://tinyurl.com/4kdkmw52> (Year: 2021).*

(30) **Foreign Application Priority Data**
Jul. 22, 2021 (CN) 202130467738.X

Primary Examiner — Ryan Harvey

(51) **LOC (13) Cl.** **21-02**
(52) **U.S. Cl.**
USPC **D21/670**

(57) **CLAIM**

The ornamental design for an exercise stepper, as shown and described.

(58) **Field of Classification Search**
USPC D21/686, 670, 671, 412, 662; 482/53,
482/52, 77, 79, 129, 146
CPC A63B 21/0087; A63B 21/00069; A63B
2022/003; A63B 25/10; A63B 22/0058;
A63B 22/0056; A63B 22/14; A63B
21/0083; A63B 22/0069
See application file for complete search history.

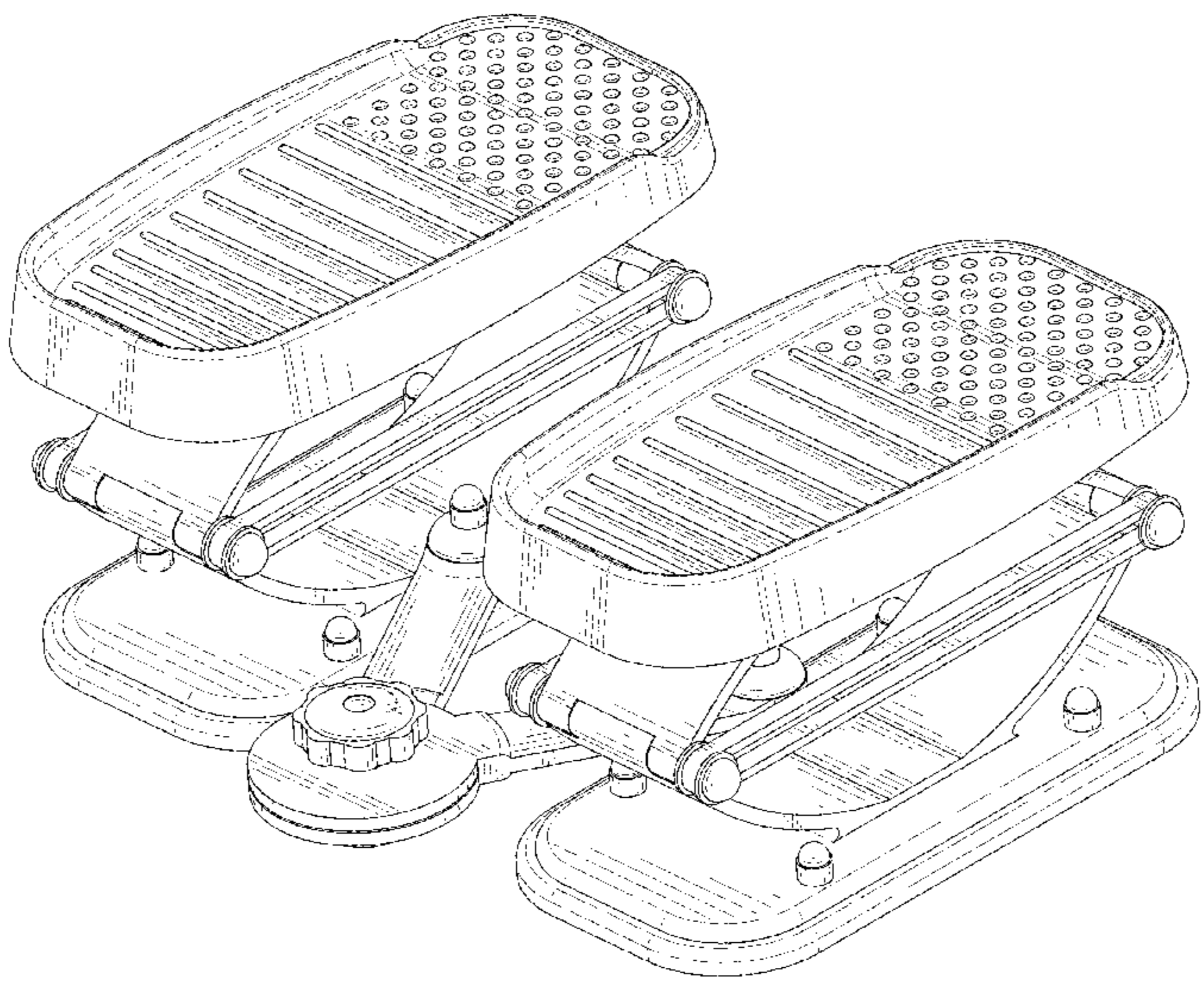
DESCRIPTION

FIG. 1 is a front and top perspective view of an exercise stepper, showing our new design;
FIG. 2 is a rear and bottom perspective view thereof;
FIG. 3 is a front elevation view thereof;
FIG. 4 is a rear elevation view thereof;
FIG. 5 is a left side elevation view thereof;
FIG. 6 is a right side elevation view thereof;
FIG. 7 is a top plan view thereof;
FIG. 8 is a bottom plan view thereof; and,
FIG. 9 is an enlarged view of a portion labeled, 'FIG. 9' in FIG. 2.

(56) **References Cited**
U.S. PATENT DOCUMENTS
4,534,124 A * 8/1985 Schnell A63B 25/10
36/114
D281,343 S * 11/1985 Krive 482/71
5,205,798 A * 4/1993 Lekhtman A63B 25/10
482/121
5,304,106 A * 4/1994 Gresko A63B 22/0058
482/80
D348,708 S * 7/1994 Chen D21/685
D349,542 S * 8/1994 Russell D21/685
5,411,454 A * 5/1995 Chang A63B 22/0664
482/148

The broken lines in the figures illustrate portions of the exercise stepper that form no part of the claimed design. The dash dot dash lines in FIGS. 2 and 9 are for the purpose of depicting the boundary lines of the enlarged view and form no part of the claimed design.

1 Claim, 9 Drawing Sheets



(56)

References Cited

U.S. PATENT DOCUMENTS

D466,567 S * 12/2002 Chen D21/668
 6,595,899 B2 * 7/2003 Liang A63B 22/0056
 482/53
 D481,085 S * 10/2003 Ben-Moshe D21/668
 6,712,739 B1 * 3/2004 Chen A63B 22/0058
 482/53
 D496,700 S * 9/2004 Chen D21/668
 D498,506 S * 11/2004 Yu D21/668
 D514,635 S * 2/2006 Hsiao D21/670
 7,048,675 B1 * 5/2006 Liang A63B 22/0064
 482/53
 7,314,125 B2 * 1/2008 Smaldone A43B 21/26
 267/143
 D561,849 S * 2/2008 Piaget D21/670
 7,335,138 B2 * 2/2008 Lee A63B 25/08
 482/79
 D629,852 S * 12/2010 Repac D21/662
 7,878,960 B1 * 2/2011 Liu A63B 22/14
 482/52
 D684,222 S * 6/2013 Kim D21/662
 D720,819 S * 1/2015 Prats D21/670
 9,242,140 B1 * 1/2016 Yang A63B 22/0046
 9,399,153 B2 * 7/2016 Green A63B 21/4013
 D781,383 S * 3/2017 Ho D21/670
 D781,384 S 3/2017 Ho et al.
 D795,364 S * 8/2017 Chang D21/670
 9,901,773 B2 * 2/2018 Lee A63B 22/04
 D822,773 S * 7/2018 Khubani D21/668
 D855,704 S * 8/2019 Nino D21/698
 D908,179 S * 1/2021 Hsieh D21/670
 11,122,859 B2 * 9/2021 Lee A63B 71/0622
 D945,538 S * 3/2022 Chen D21/670
 D949,255 S * 4/2022 Hsieh D21/670
 D958,268 S * 7/2022 Zhu D21/686
 2003/0096676 A1 * 5/2003 Chen A63B 23/0429
 482/51

2003/0114273 A1 * 6/2003 Chen A63B 23/0429
 482/53
 2003/0216223 A1 * 11/2003 Chuang A63B 23/0429
 482/53
 2004/0048721 A1 * 3/2004 Chou A63B 22/0056
 482/52
 2005/0064996 A1 * 3/2005 Chen A63B 22/0056
 482/53
 2005/0272563 A1 * 12/2005 Liang A63B 21/4047
 482/53
 2006/0035756 A1 * 2/2006 Chen A63B 22/0069
 482/53
 2006/0073942 A1 * 4/2006 Yang A63B 69/18
 482/53
 2006/0100557 A1 * 5/2006 Huang A61H 15/0078
 601/28
 2006/0229166 A1 * 10/2006 Fan A63B 23/03575
 482/53
 2008/0132387 A1 * 6/2008 Teng A63B 22/0056
 482/80
 2008/0146421 A1 * 6/2008 Hsieh A63B 21/02
 482/129
 2009/0270230 A1 * 10/2009 Piaget A63B 21/0085
 482/130
 2010/0248923 A1 * 9/2010 Lo A63B 22/14
 482/146
 2011/0111927 A1 * 5/2011 Kim A63B 22/0056
 482/52
 2012/0295768 A1 * 11/2012 Prats A63B 22/0056
 482/53
 2016/0271439 A1 * 9/2016 Chuang A63B 22/0061
 2016/0271440 A1 * 9/2016 Chuang A63B 21/055
 2018/0056105 A1 * 3/2018 Ho A63B 22/0058
 2018/0207474 A1 * 7/2018 Chen A63B 21/4034
 2018/0236300 A1 * 8/2018 Yao A63B 22/0058
 2020/0129804 A1 * 4/2020 Colburn A63B 22/0664
 2020/0298042 A1 * 9/2020 Hsieh A63B 22/0056

* cited by examiner

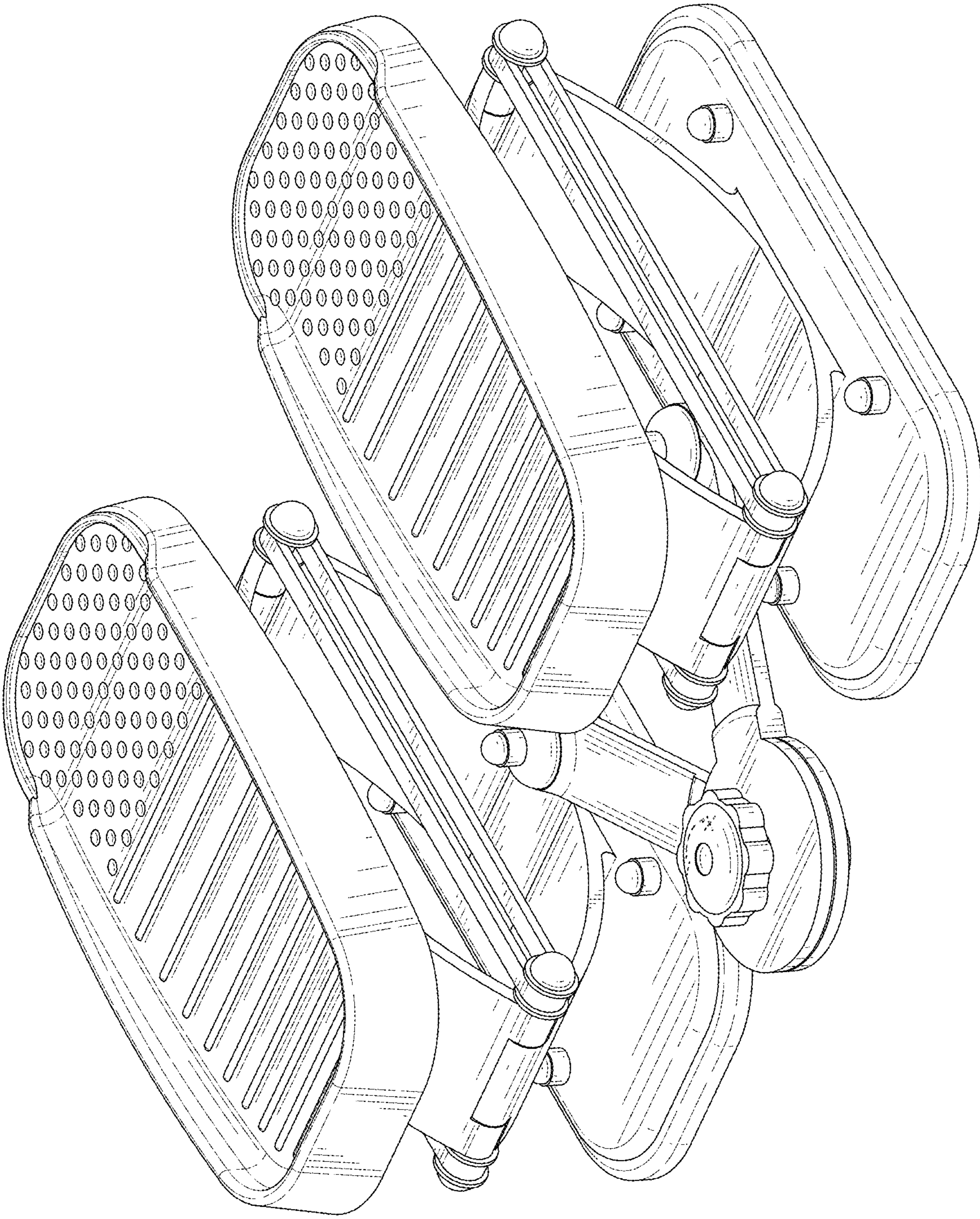
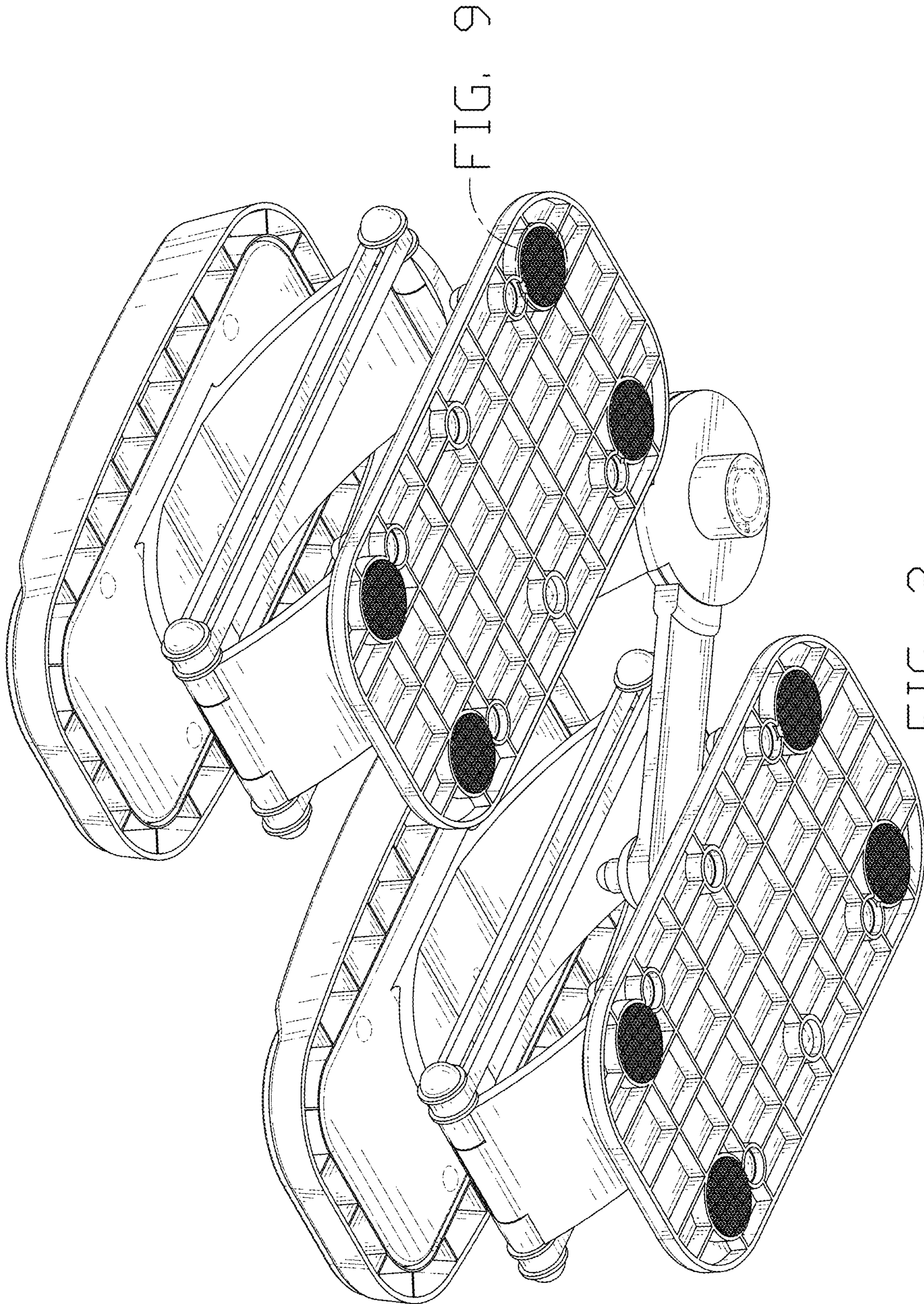


FIG. 1



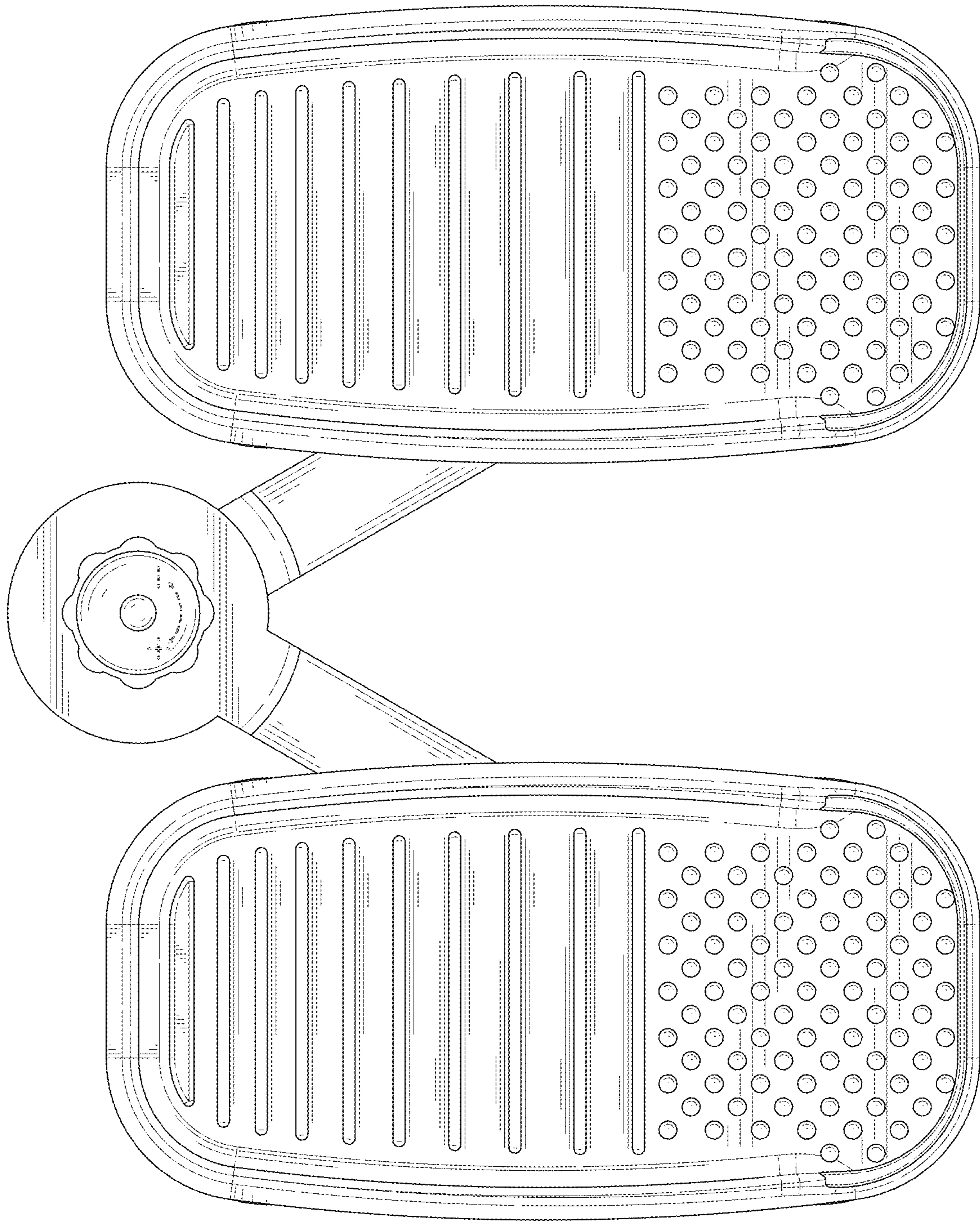


FIG. 3

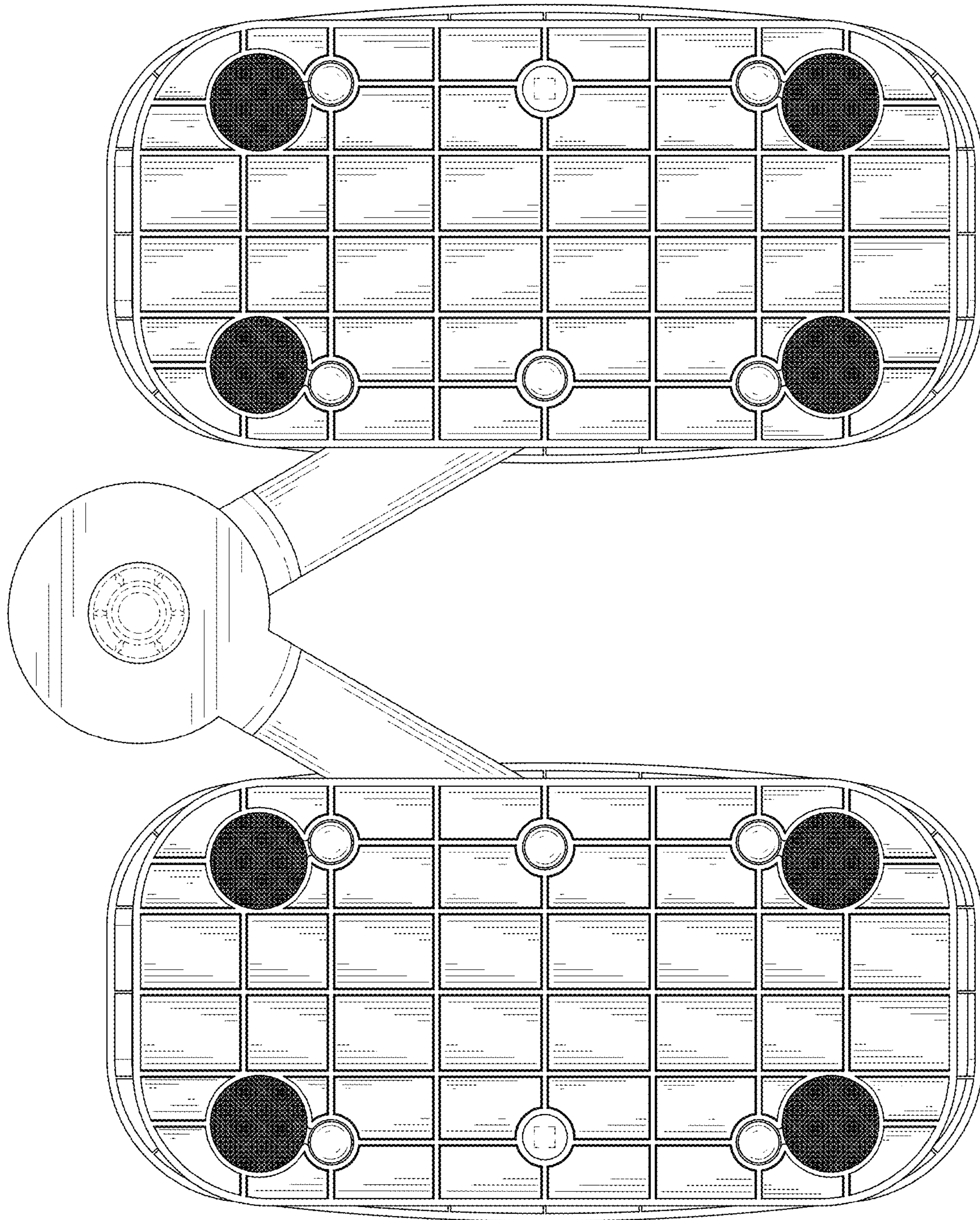


FIG. 4

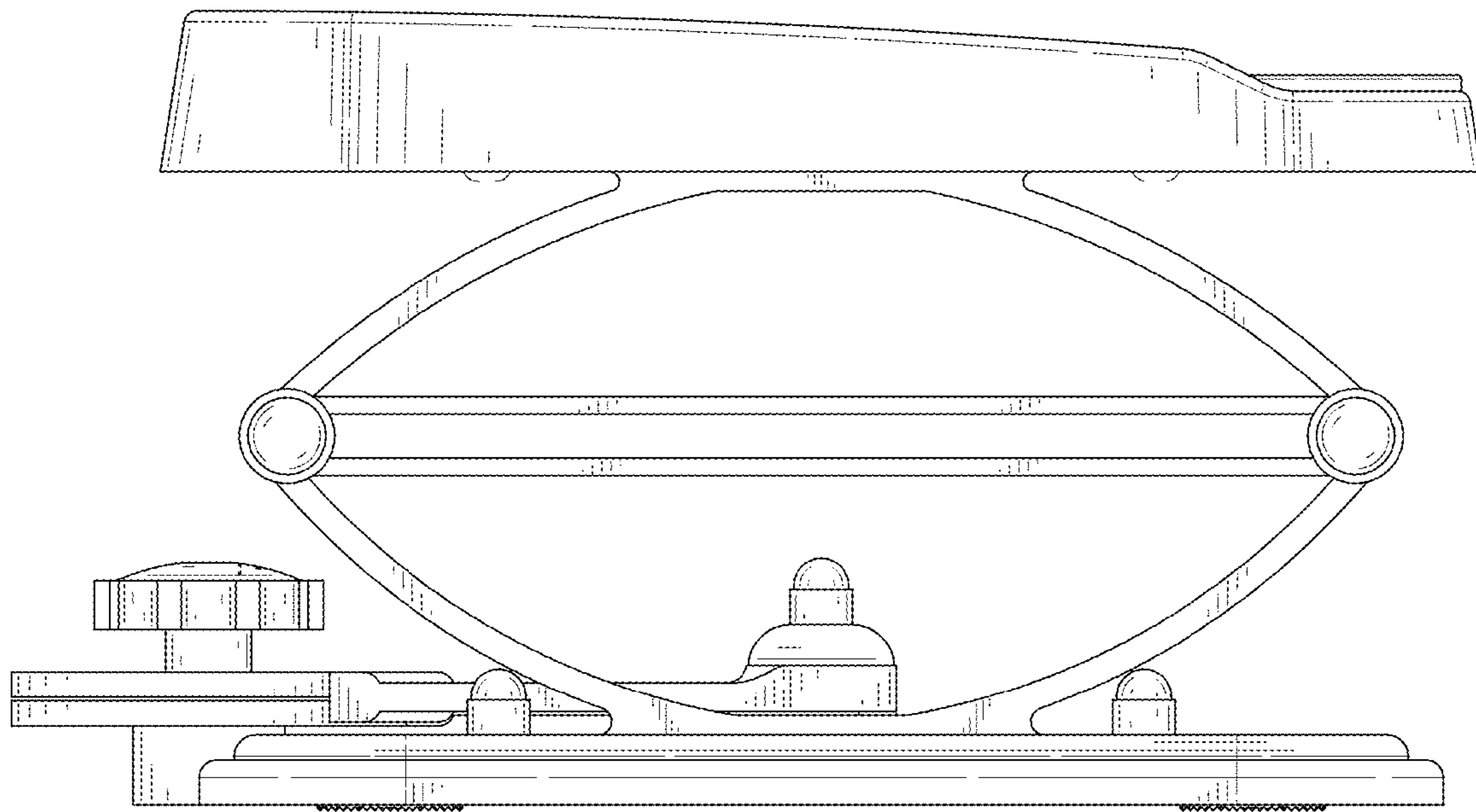


FIG. 5

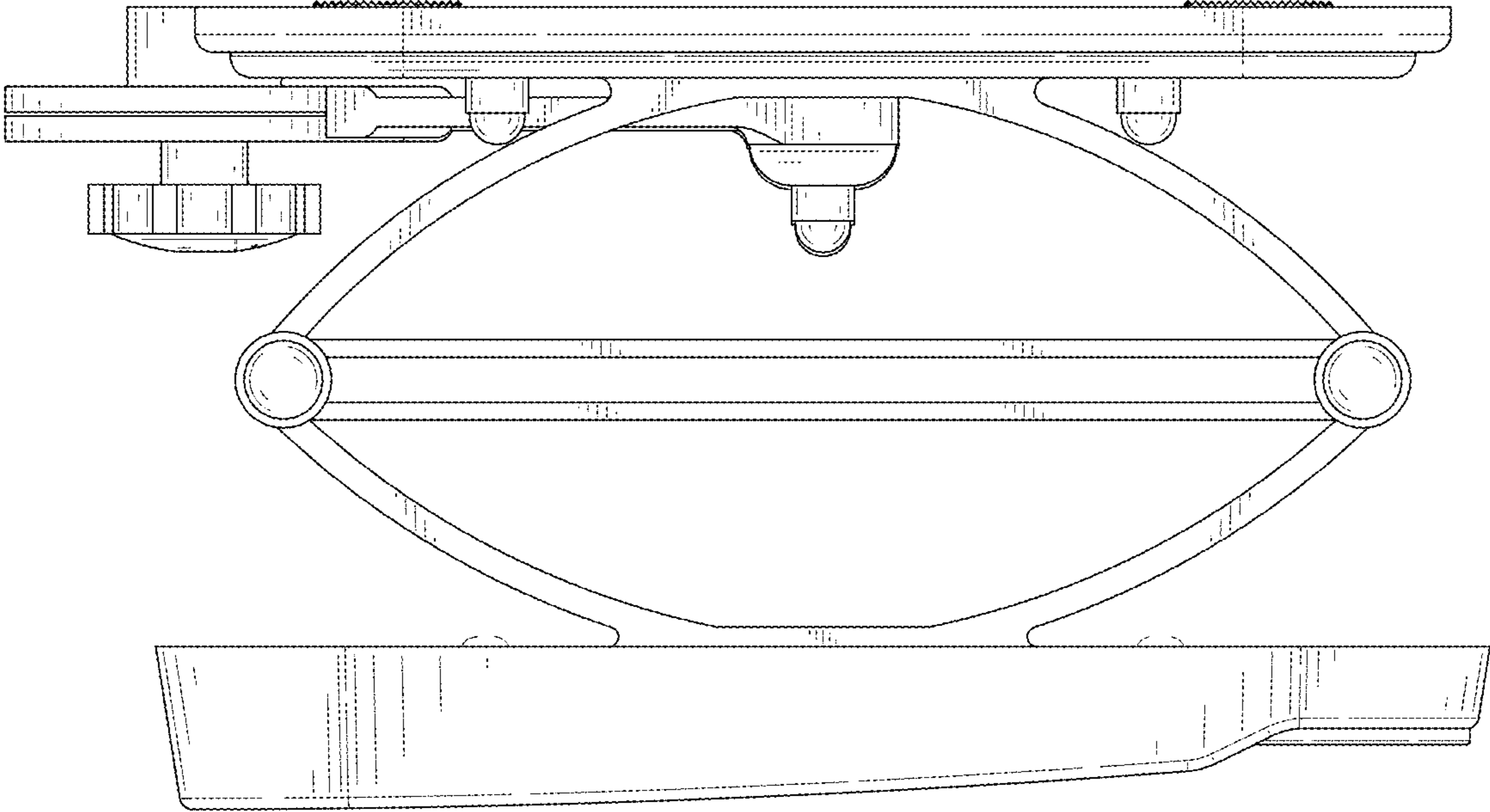


FIG. 6

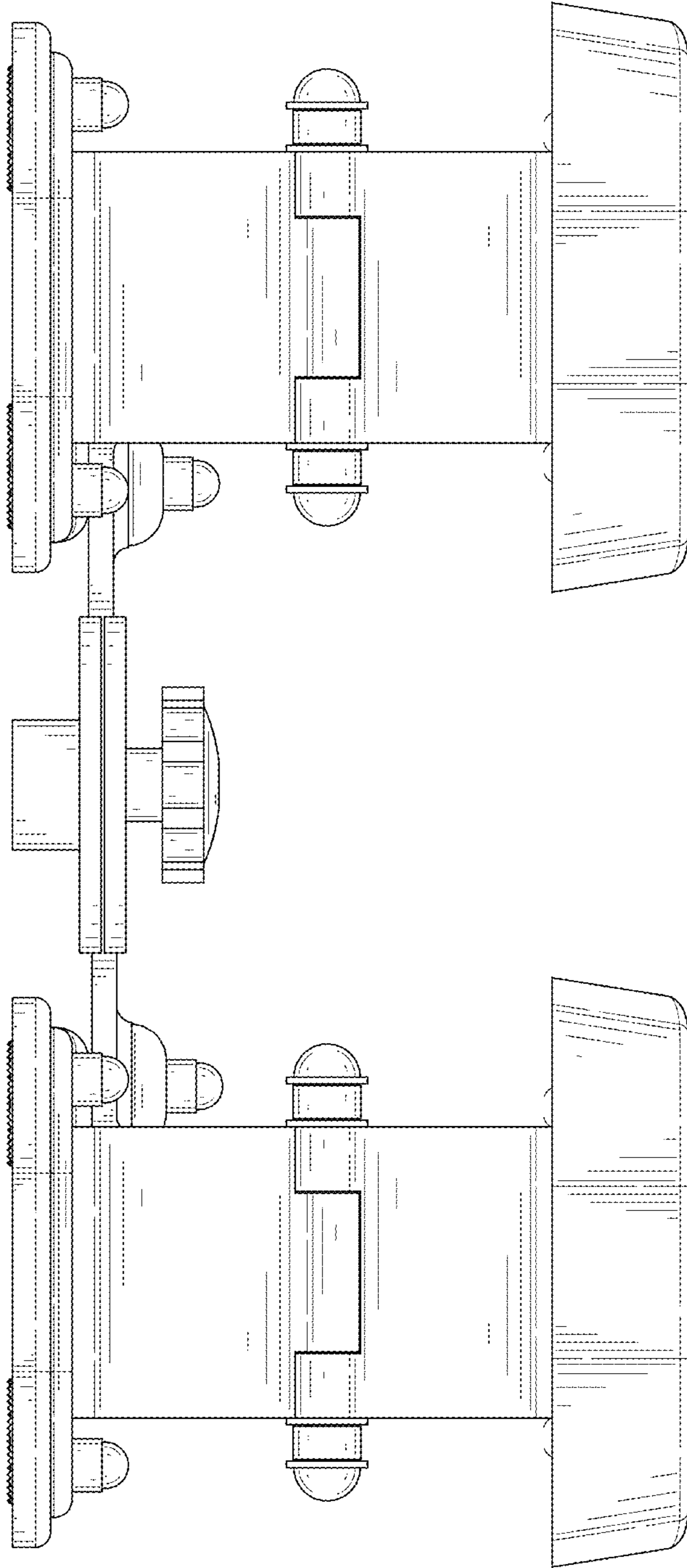


FIG. 7

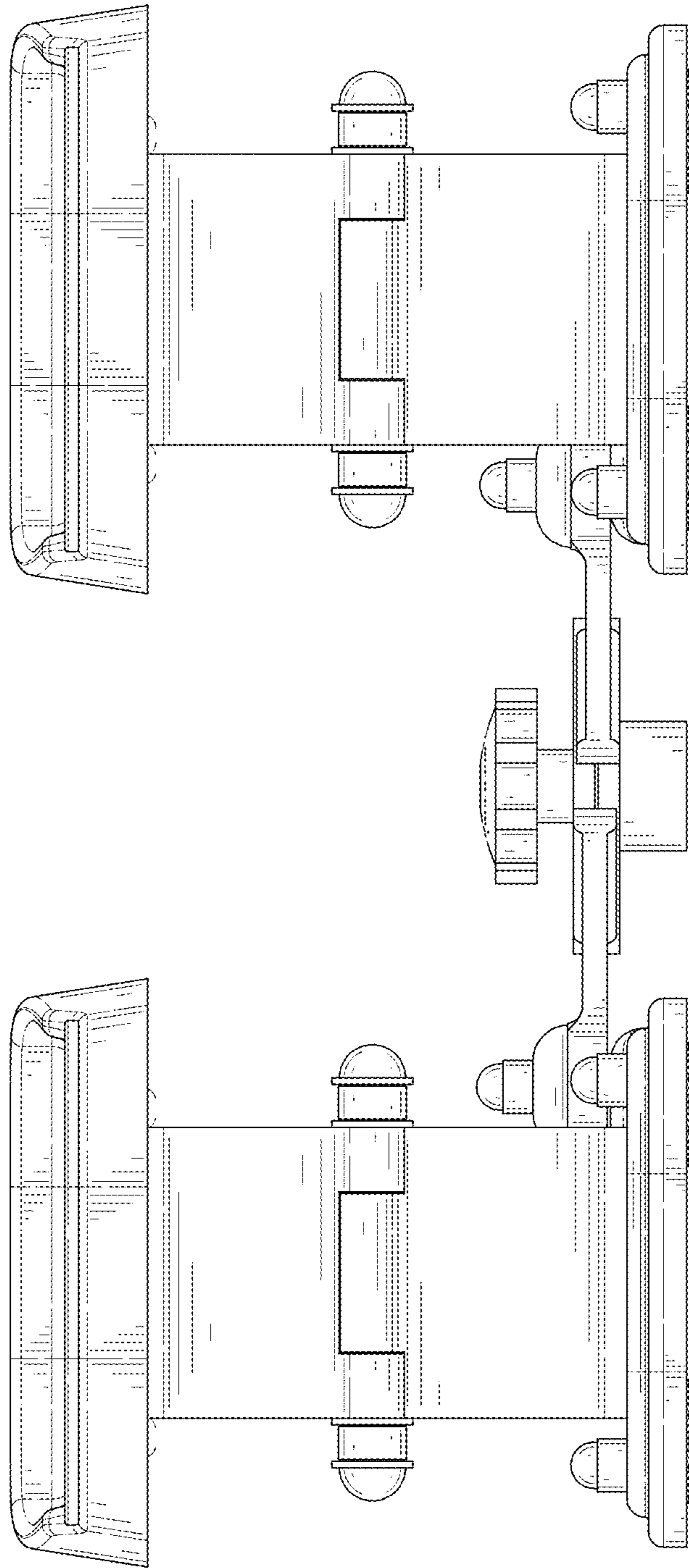


FIG. 8

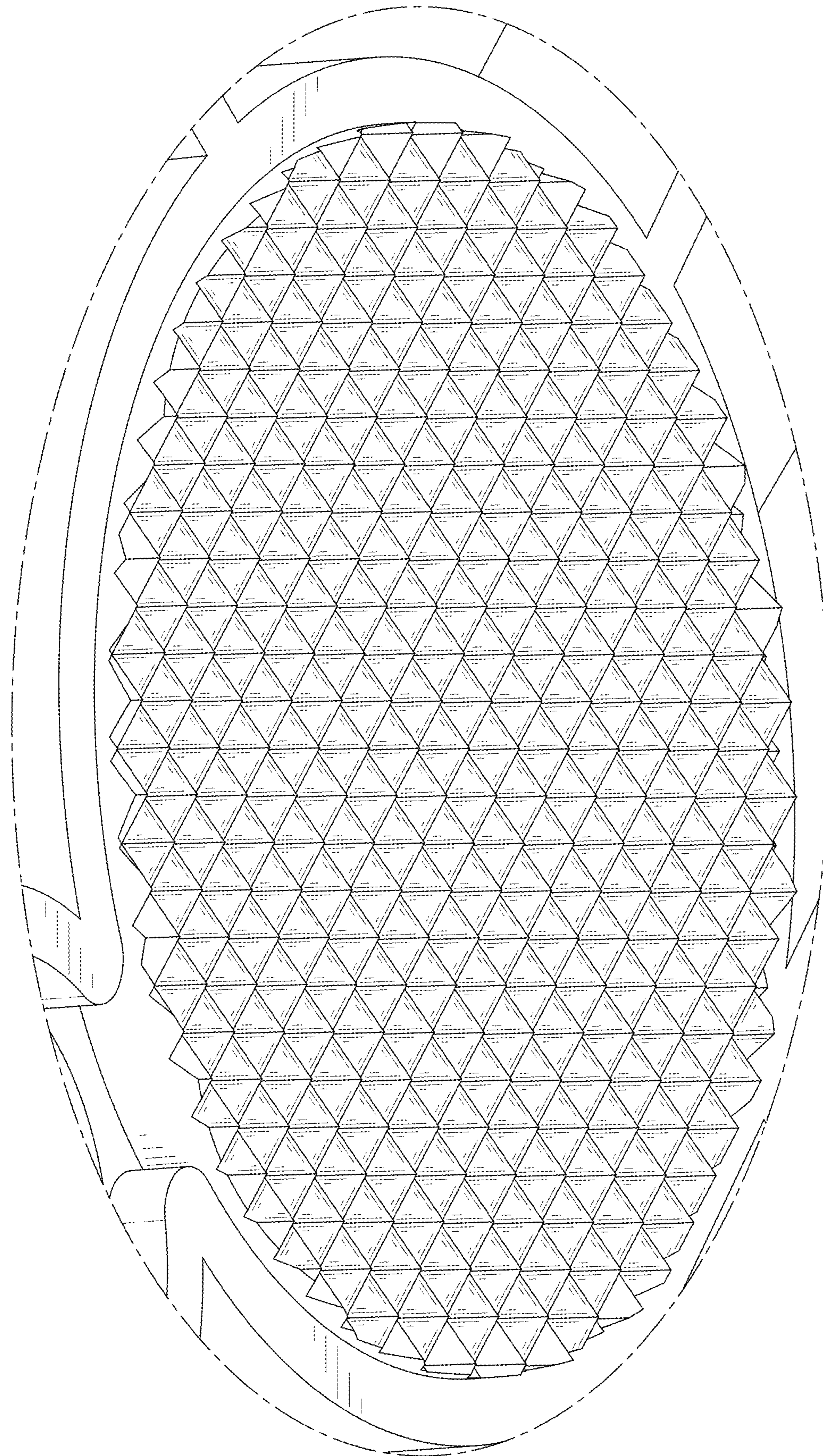


FIG. 9