



US00D965082S

(12) **United States Design Patent**
Zeng et al.

(10) **Patent No.:** **US D965,082 S**

(45) **Date of Patent:** **** Sep. 27, 2022**

(54) **TREADMILL**

(71) Applicant: **Woge (Shanghai) Brand Management Co., Ltd, Shanghai (CN)**

(72) Inventors: **Haicai Zeng, Shanghai (CN); Jinsong Fan, Shanghai (CN)**

(**) Term: **15 Years**

(21) Appl. No.: **29/791,091**

(22) Filed: **Dec. 29, 2021**

(51) **LOC (13) Cl.** **21-02**

(52) **U.S. Cl.**
USPC **D21/669**

(58) **Field of Classification Search**
USPC D21/669, 694; 482/54
CPC . A63B 22/02; A63B 22/0235; A63B 22/0023;
A63B 22/0285; A63B 22/0214
See application file for complete search history.

(56) **References Cited**

U.S. PATENT DOCUMENTS

D280,002 S *	8/1985	Smith	D21/669
D424,137 S *	5/2000	Barker	D21/669
6,179,753 B1 *	1/2001	Barker	A63B 22/0214
				482/54
6,390,955 B1 *	5/2002	Wang	A63B 22/02
				482/54
6,527,678 B1 *	3/2003	Wang	A63B 22/0235
				482/54
6,786,853 B2 *	9/2004	Wu	A63B 22/0257
				482/54
D682,372 S *	5/2013	Alessandri	D21/669
D707,763 S *	6/2014	Cutler	D21/669
D751,156 S *	3/2016	Tasca	D21/669
D888,845 S *	6/2020	Luo	D21/669
D889,569 S *	7/2020	Luo	D21/669
D907,722 S *	1/2021	Fang	D21/669
D908,817 S *	1/2021	Wang	D21/669
D910,123 S *	2/2021	Li	D21/669
D918,317 S *	5/2021	Servadei	D21/669

D919,719 S *	5/2021	Ren	D21/669
D926,895 S *	8/2021	Zhu	D21/669
D929,511 S *	8/2021	Chen	D21/669
D934,353 S *	10/2021	Hu	D21/669
D934,961 S *	11/2021	Luo	D21/669
D935,537 S	11/2021	Wang		

(Continued)

OTHER PUBLICATIONS

Urevo by Urevo dated no date given. Found online [Jul. 28, 2022]
<https://www.urevosports.com/treadmills/urevo-strol-3-3-in-1-under-desk-treadmill/>.*

(Continued)

Primary Examiner — Ryan Harvey

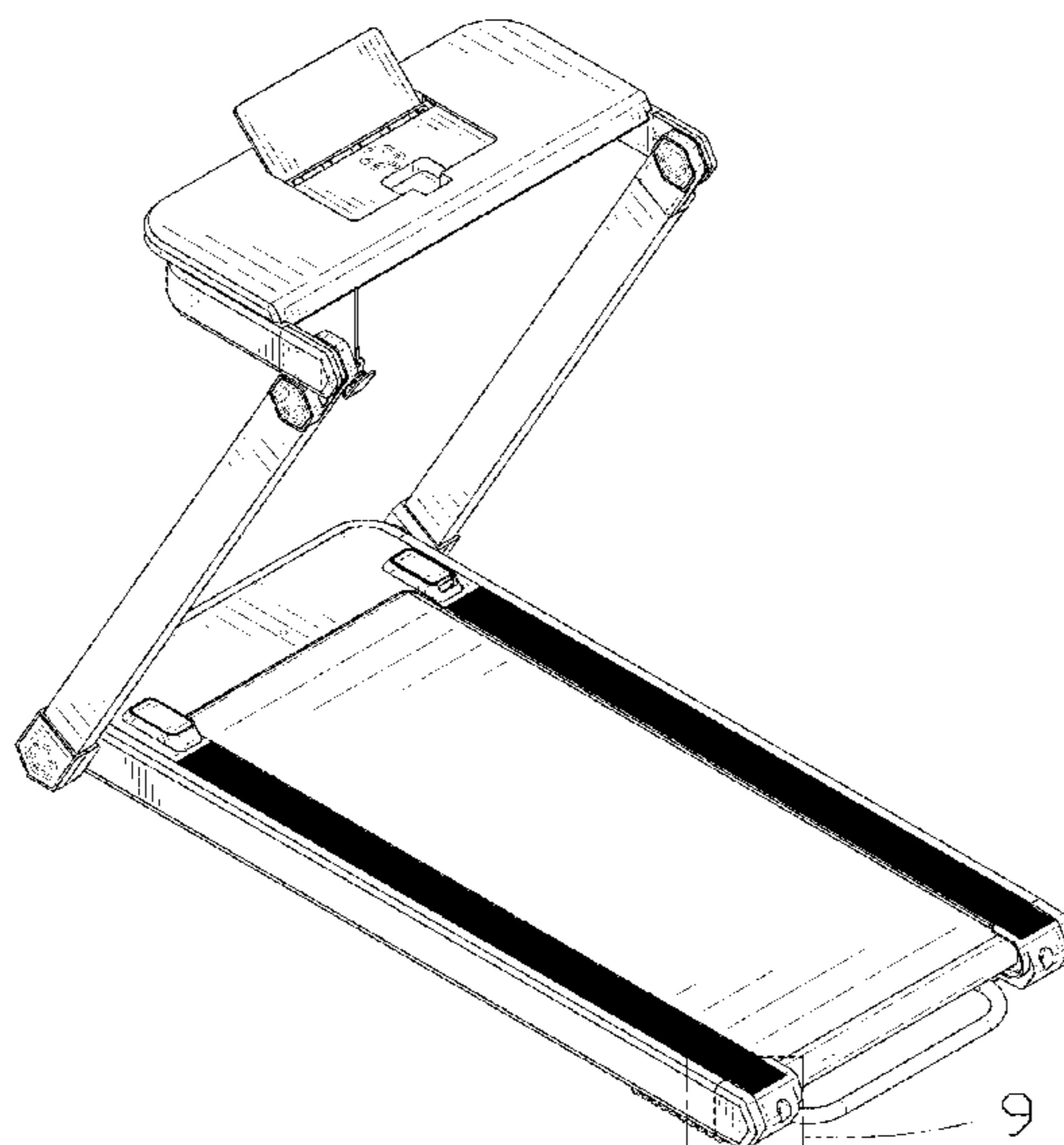
(57) **CLAIM**

The ornamental design for a treadmill, as shown and described.

DESCRIPTION

FIG. 1 is a front and top perspective view of a treadmill, showing our new design;
FIG. 2 is a rear and bottom perspective view thereof;
FIG. 3 is a front elevation view thereof;
FIG. 4 is a rear elevation view thereof;
FIG. 5 is a left side elevation view thereof;
FIG. 6 is a right side elevation view thereof;
FIG. 7 is a top plan view thereof;
FIG. 8 is a bottom plan view thereof;
FIG. 9 is an enlarged view of a portion indicated with numeric 9 in FIG. 1; and,
FIG. 10 is an enlarged view of a portion indicated with numeric 10 in FIG. 2.
The broken lines in the figures illustrate portions of the treadmill that form no part of the claimed design. The dash dot dash lines in FIGS. 1, 2, 9 and 10 are for the purpose of depicting the boundary lines of the enlarged views and form no part of the claimed design.

1 Claim, 10 Drawing Sheets



(56)

References Cited

U.S. PATENT DOCUMENTS

D947,298 S * 3/2022 Ren D21/669
D952,064 S * 5/2022 Pan D21/669
D952,768 S * 5/2022 Hu D21/669
D952,769 S * 5/2022 Hu D21/669
2009/0005224 A1* 1/2009 Davis A63B 22/0257
482/54
2009/0042698 A1* 2/2009 Wang A63B 22/02
482/54
2011/0201481 A1* 8/2011 Lo A63B 22/0235
482/54
2013/0184125 A1* 7/2013 Maguire A63B 21/15
482/54
2015/0352401 A1* 12/2015 Johnson A63B 22/0235
482/54
2016/0096064 A1* 4/2016 Gatti A63B 69/0057
482/54
2016/0166879 A1* 6/2016 Dilli A63B 22/02
482/8
2016/0279465 A1* 9/2016 Chang A63B 22/02
2018/0043207 A1* 2/2018 Moser A63B 71/0622
2018/0361194 A1* 12/2018 Corbalis A63B 22/0214
2019/0192952 A1* 6/2019 Powell A63B 22/0285
2019/0290956 A1* 9/2019 Ren A63B 71/023
2020/0188728 A1* 6/2020 Ma A63B 22/0214
2021/0275860 A1* 9/2021 Tseng A63B 21/4035
2021/0387043 A1* 12/2021 Tian A63B 22/0235
2021/0402279 A1* 12/2021 Luo A63B 71/0036

OTHER PUBLICATIONS

Urevo Folding by Urevo dated Mar. 14, 2022. Found online [Jul. 28, 2022] <https://tinyurl.com/55xe73s5>.*

* cited by examiner

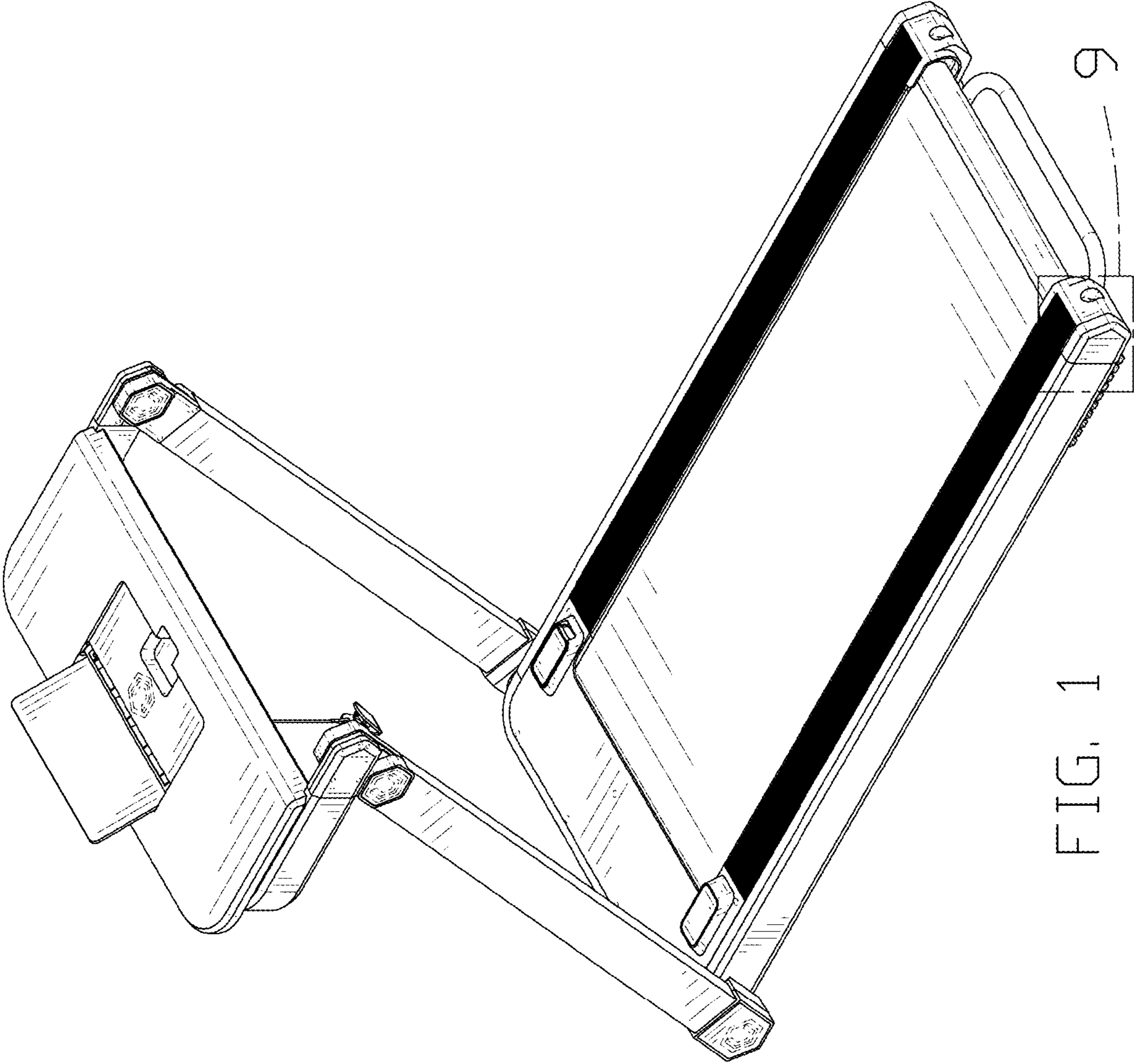


FIG. 1

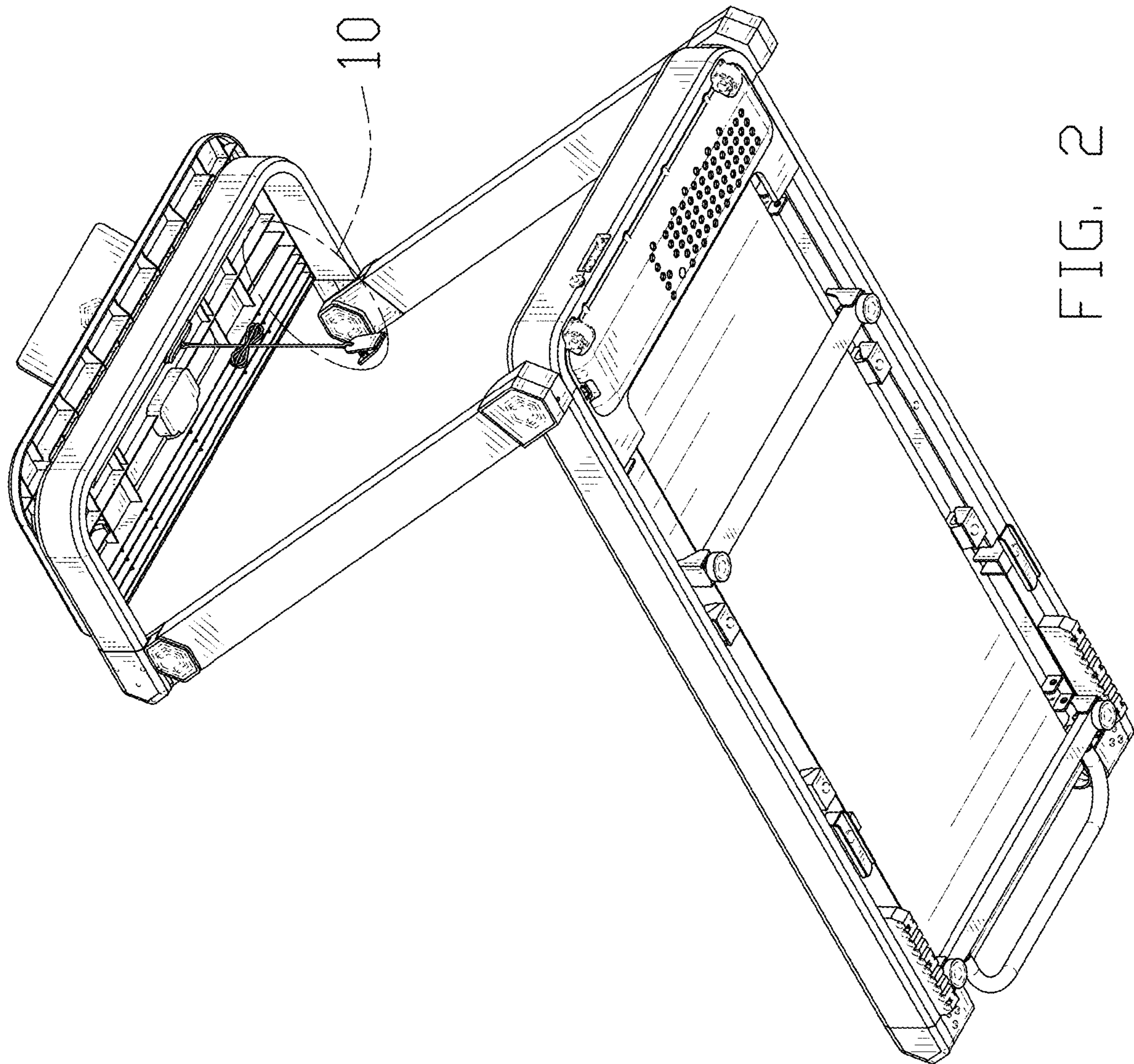


FIG. 2

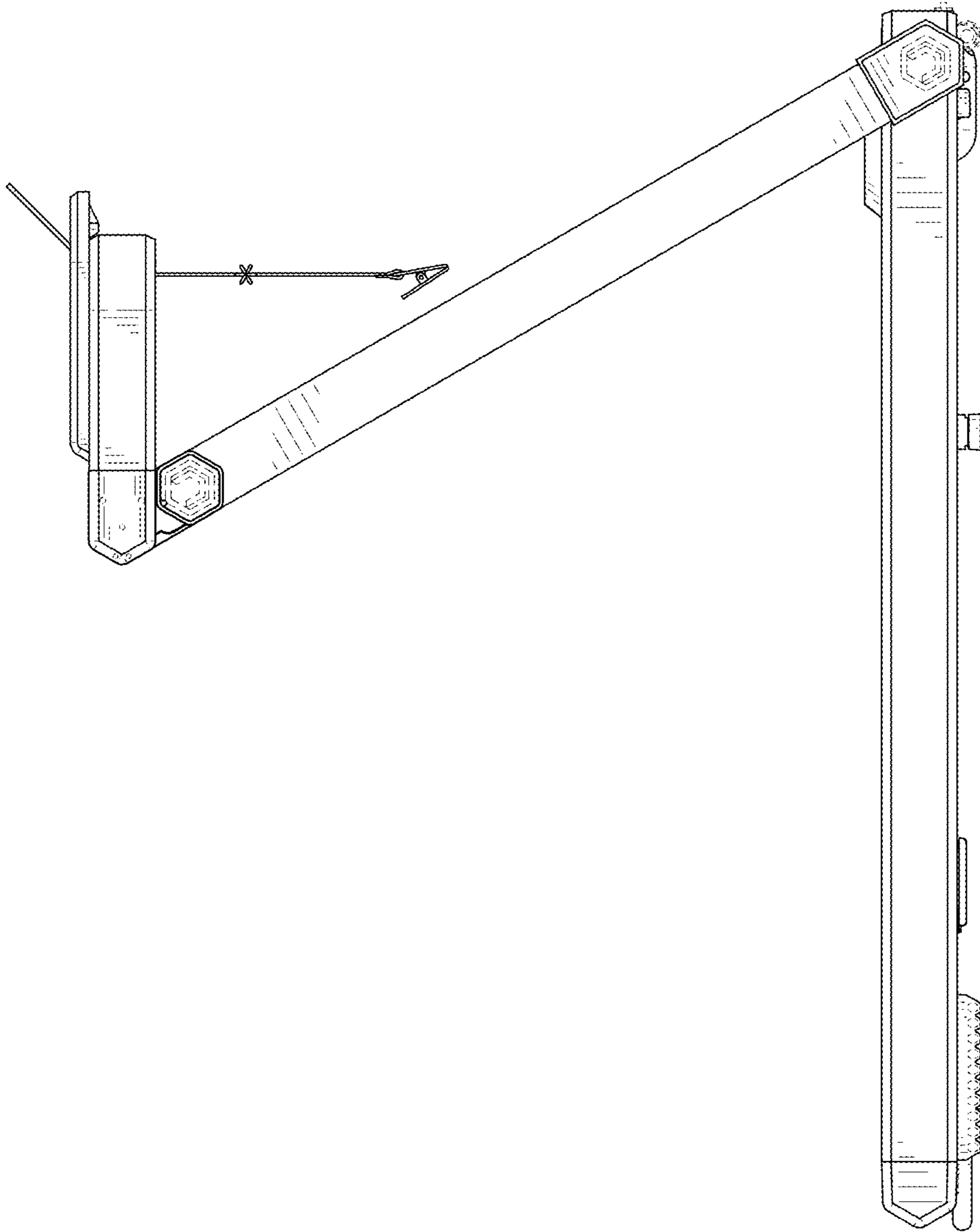


FIG. 3

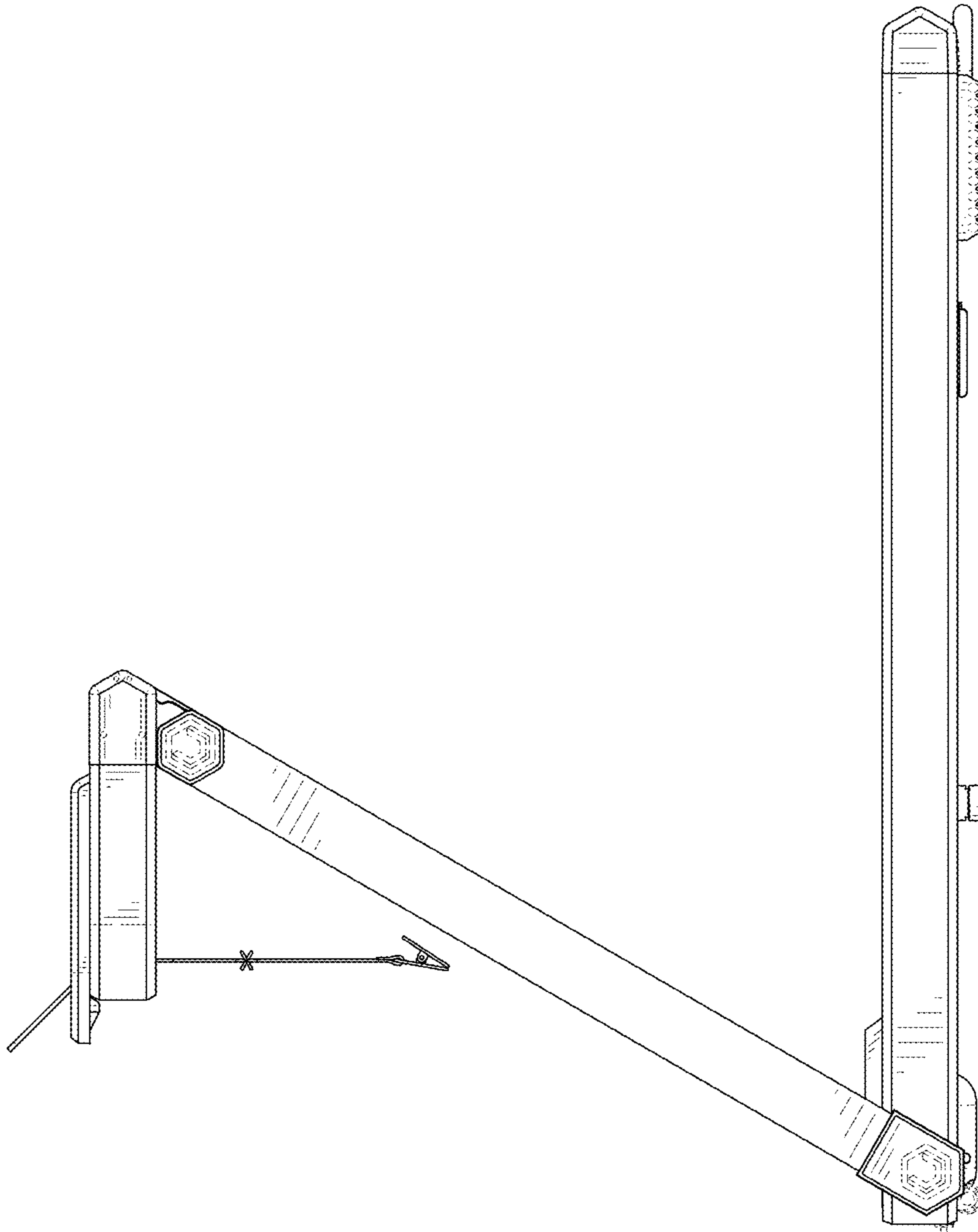


FIG. 4

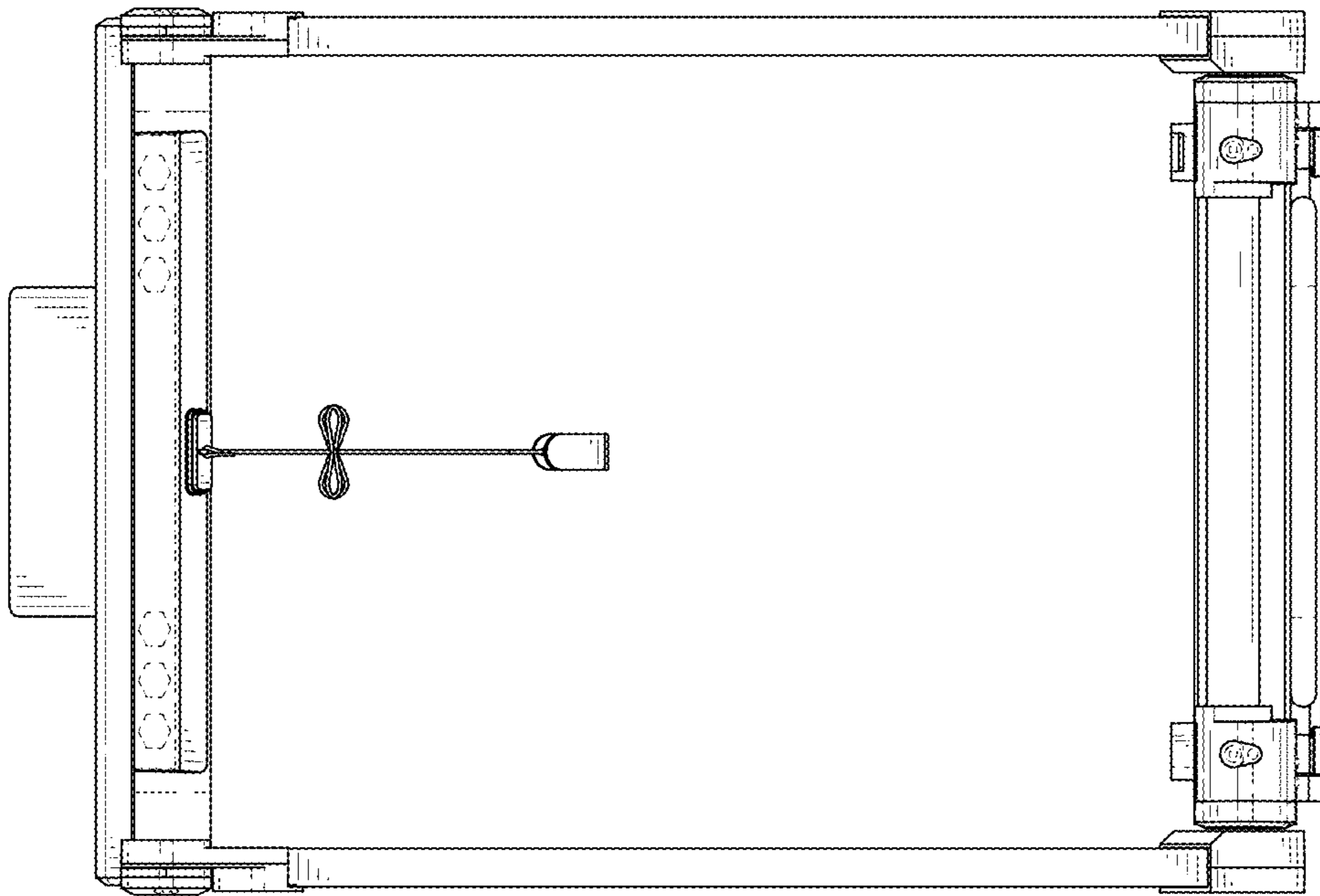


FIG. 5

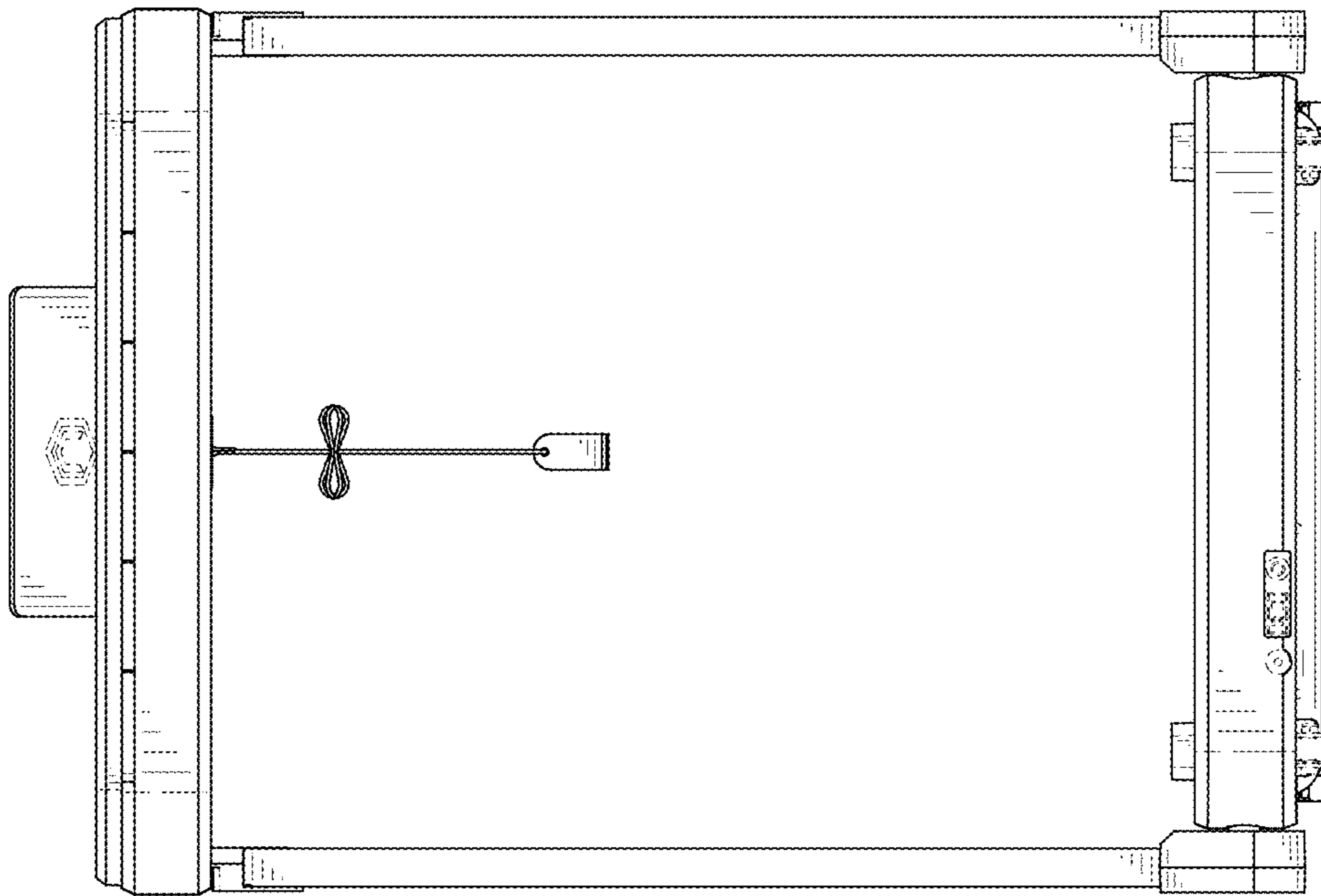


FIG. 6

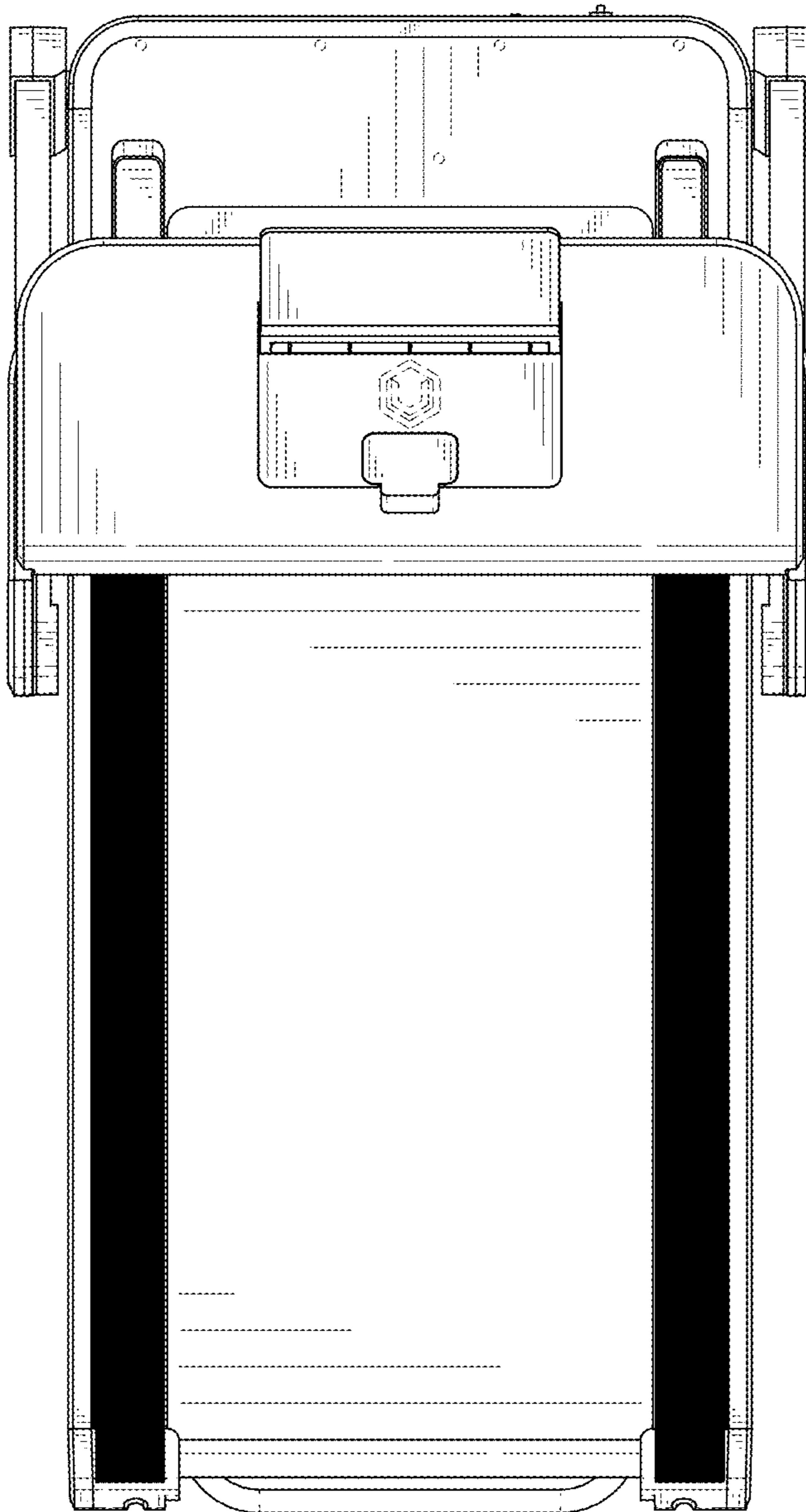


FIG. 7

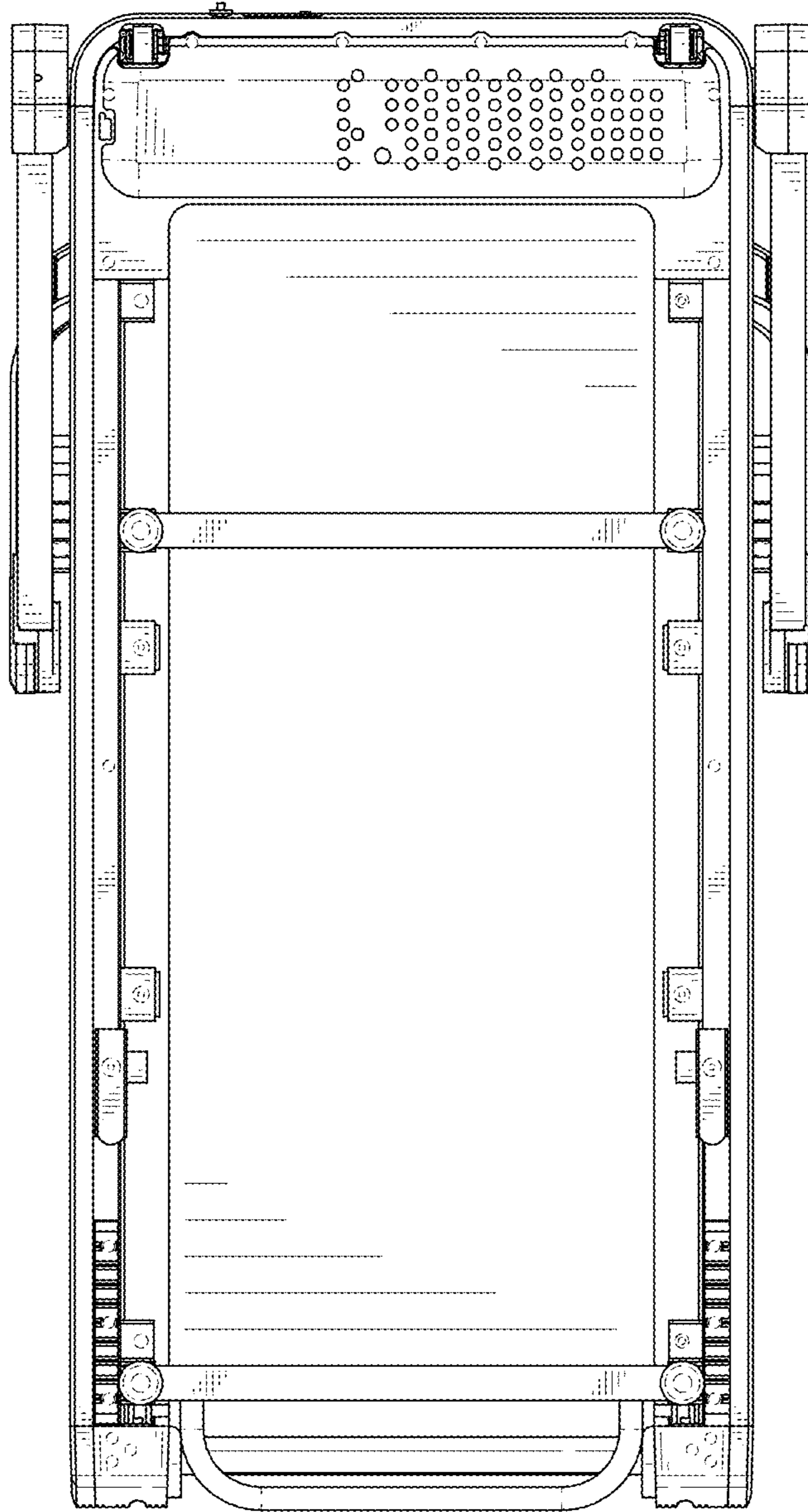


FIG. 8

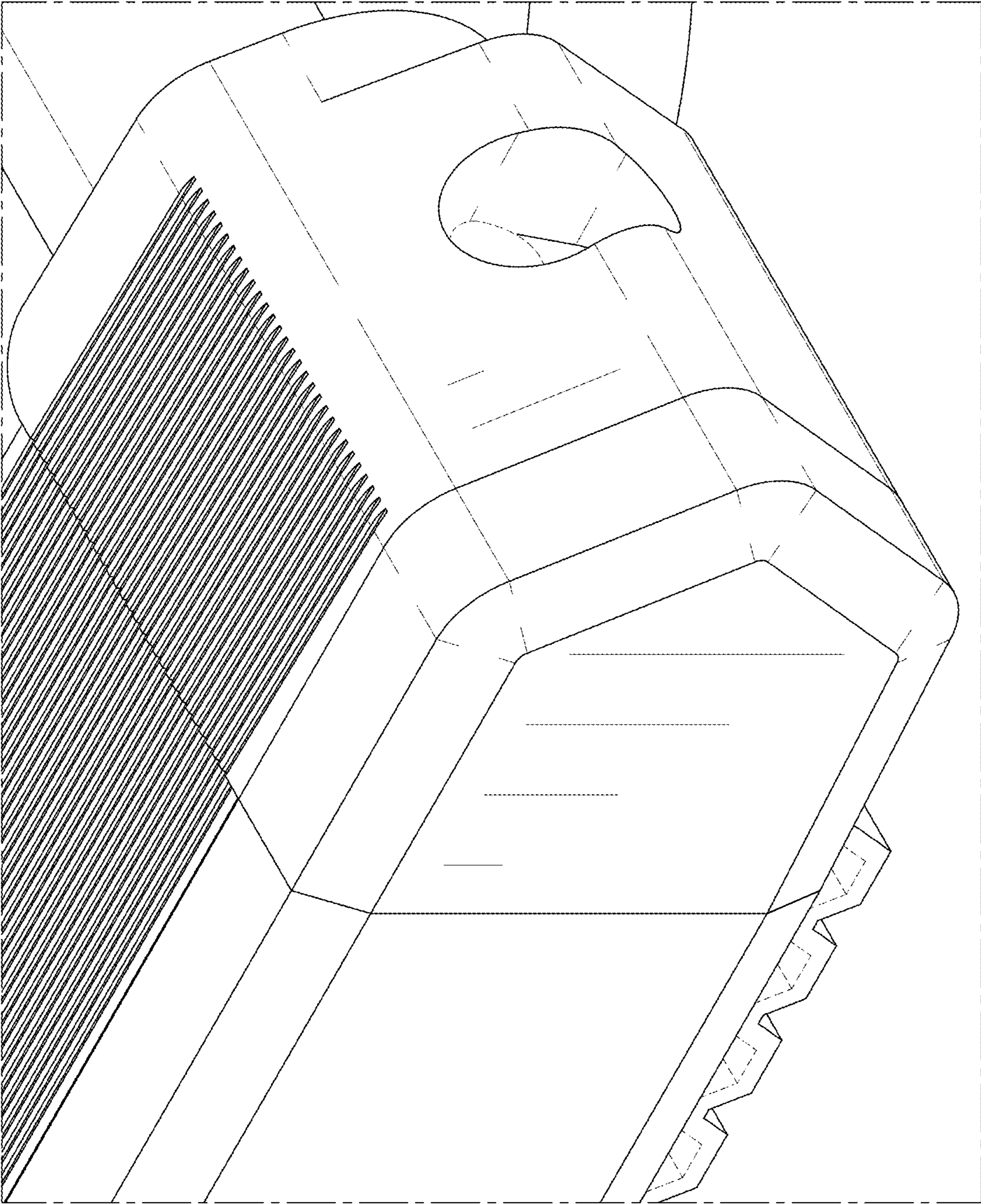


FIG. 9

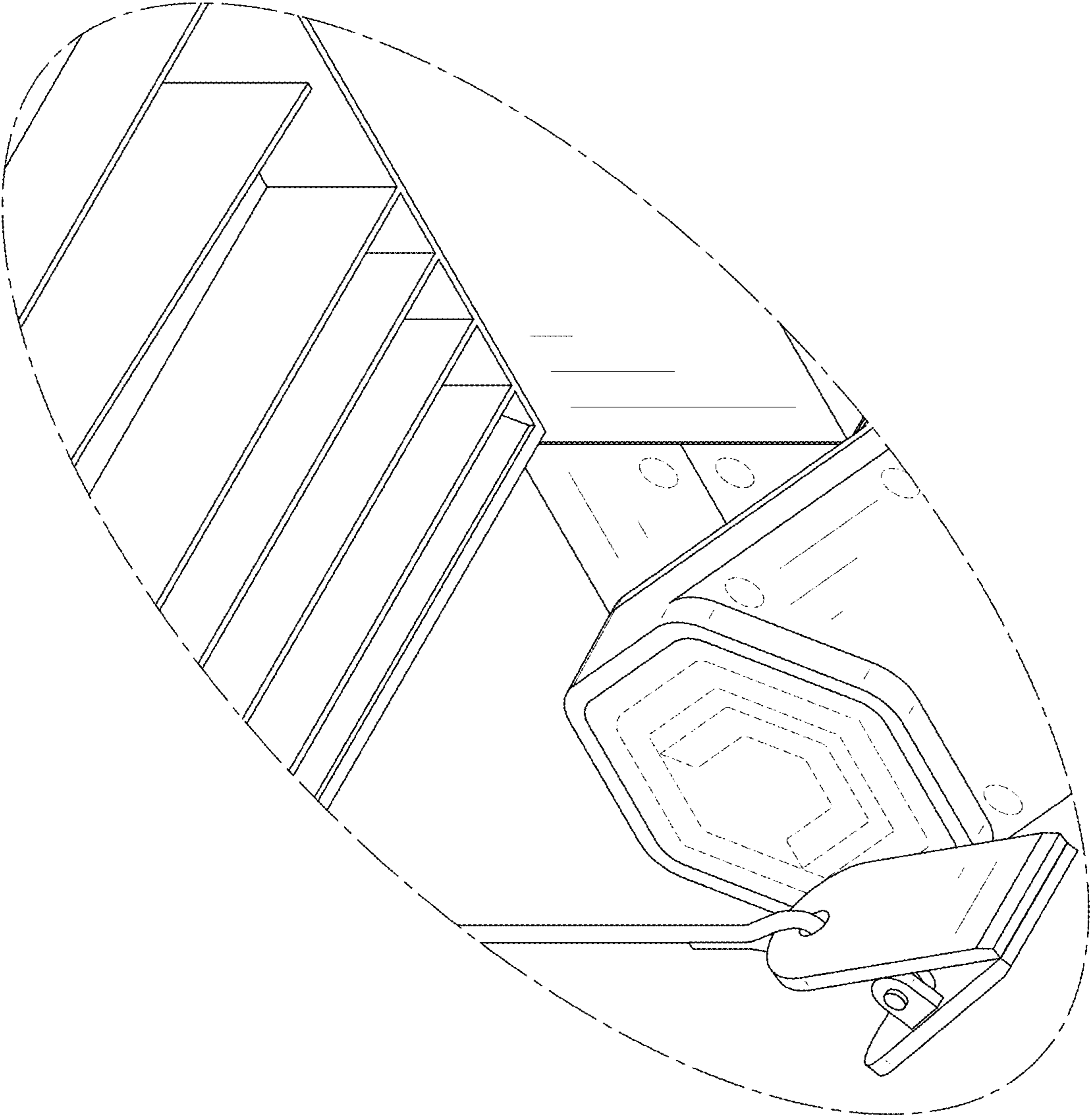


FIG. 10