

US00D965081S

(12) **United States Design Patent**
Zhang

(10) **Patent No.:** **US D965,081 S**

(45) **Date of Patent:** **** Sep. 27, 2022**

(54) **SMART HULA HOOP**

(71) Applicant: **Xin Zhang**, Guangdong (CN)

(72) Inventor: **Xin Zhang**, Guangdong (CN)

(**) Term: **15 Years**

(21) Appl. No.: **29/820,175**

(22) Filed: **Dec. 20, 2021**

(51) **LOC (13) Cl.** **21-02**

(52) **U.S. Cl.**
USPC **D21/662; D21/457**

(58) **Field of Classification Search**
USPC D21/662, 457
CPC . A63B 21/0608; A63B 19/00; A63B 21/0602;
A63B 2220/89; A63B 21/0004; A63B
23/0205; A63B 19/02; A63B 2220/17;
A61H 23/006; A61H 2201/1261; A61H
2201/1695; A61H 2205/083

See application file for complete search history.

(56) **References Cited**

U.S. PATENT DOCUMENTS

D442,234 S *	5/2001	Seo	D21/457
D445,146 S *	7/2001	Seo	D21/457
D450,097 S	11/2001	Seo		
D458,651 S	6/2002	Lee		
7,232,357 B2 *	6/2007	Chen	A63B 19/00 446/28
9,687,688 B2 *	6/2017	Hsiao	A63B 21/0618
10,143,883 B2 *	12/2018	Jolly	A63B 21/0608
D847,910 S	5/2019	Yoon		

D937,357 S *	11/2021	Ju	A63B 21/0618 D21/457
11,173,336 B1 *	11/2021	Xu	A63B 21/0608
D954,857 S *	6/2022	Yang	A63B 21/222 D21/662
2014/0342882 A1 *	11/2014	Huang	A63B 21/222 482/110
2017/0100620 A1 *	4/2017	Hsiao	A63B 21/0618
2018/0126213 A1 *	5/2018	Estrada, Jr.	A63B 21/00189
2021/0252323 A1 *	8/2021	Lu	A63B 21/151

* cited by examiner

Primary Examiner — Philip S Hyder

(74) *Attorney, Agent, or Firm* — Che-Yang Chen; Law Office of Michael Chen

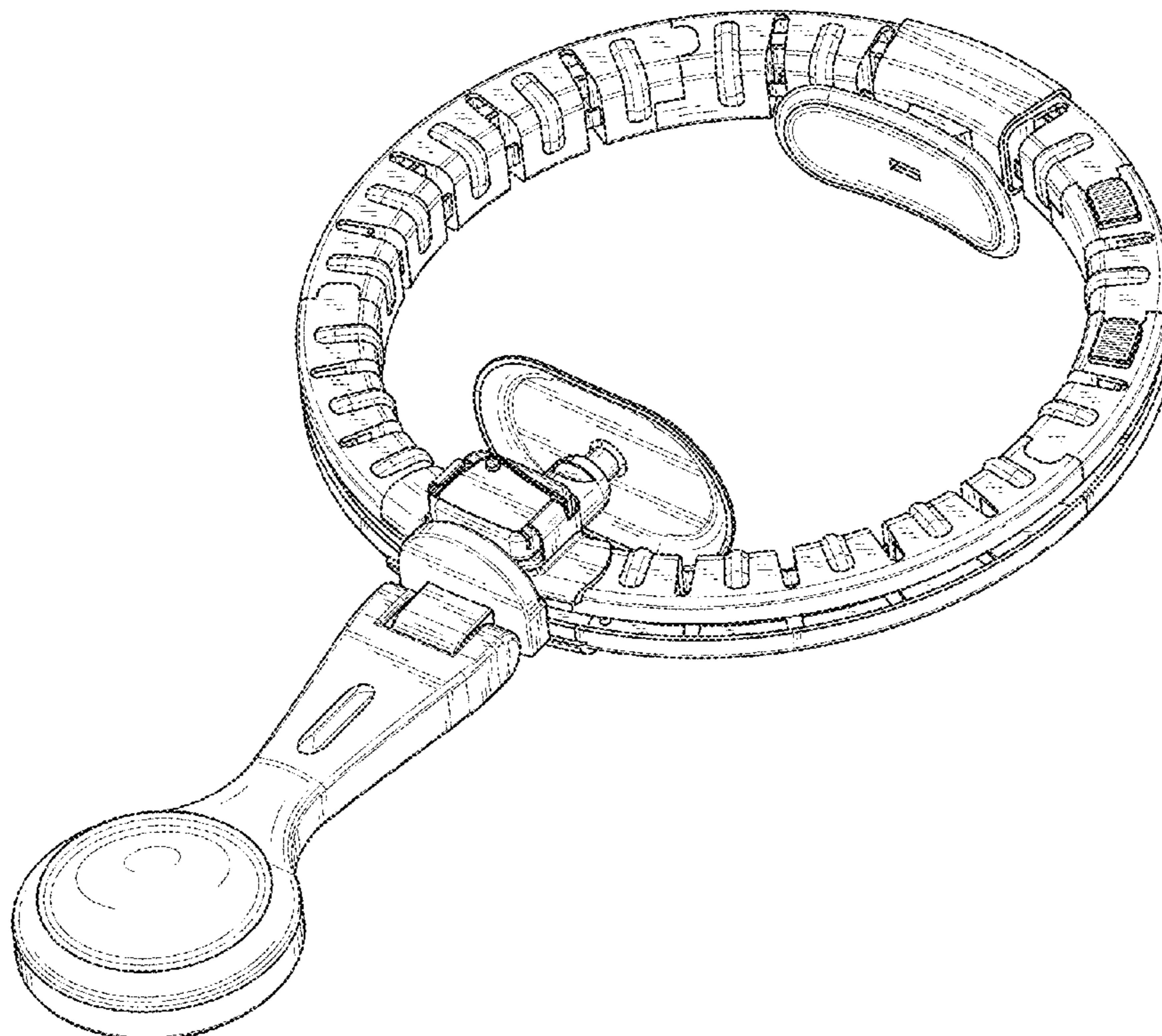
(57) **CLAIM**

The ornamental design for a smart hula hoop, as shown and described.

DESCRIPTION

FIG. 1 is a perspective view of the smart hula hoop showing my new design;
FIG. 2 is a perspective view thereof from another angle;
FIG. 3 is a front elevational view thereof;
FIG. 4 is a rear elevational view thereof;
FIG. 5 is a left side elevational view thereof;
FIG. 6 is a right side elevational view thereof;
FIG. 7 is a top plan view thereof;
FIG. 8 is a bottom plan view thereof; and,
FIG. 9 is a perspective view of its disassembled state.

1 Claim, 9 Drawing Sheets



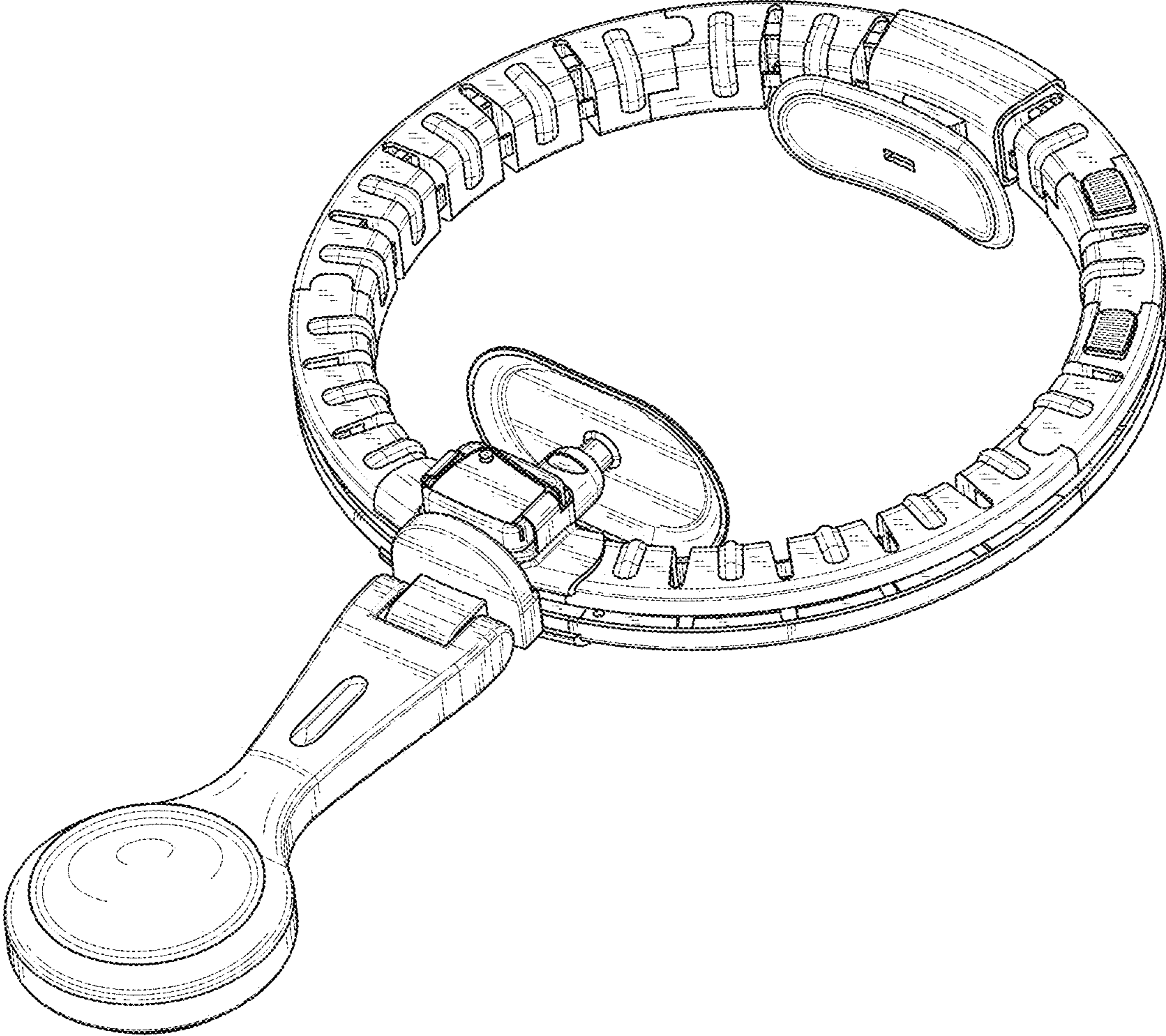


FIG. 1

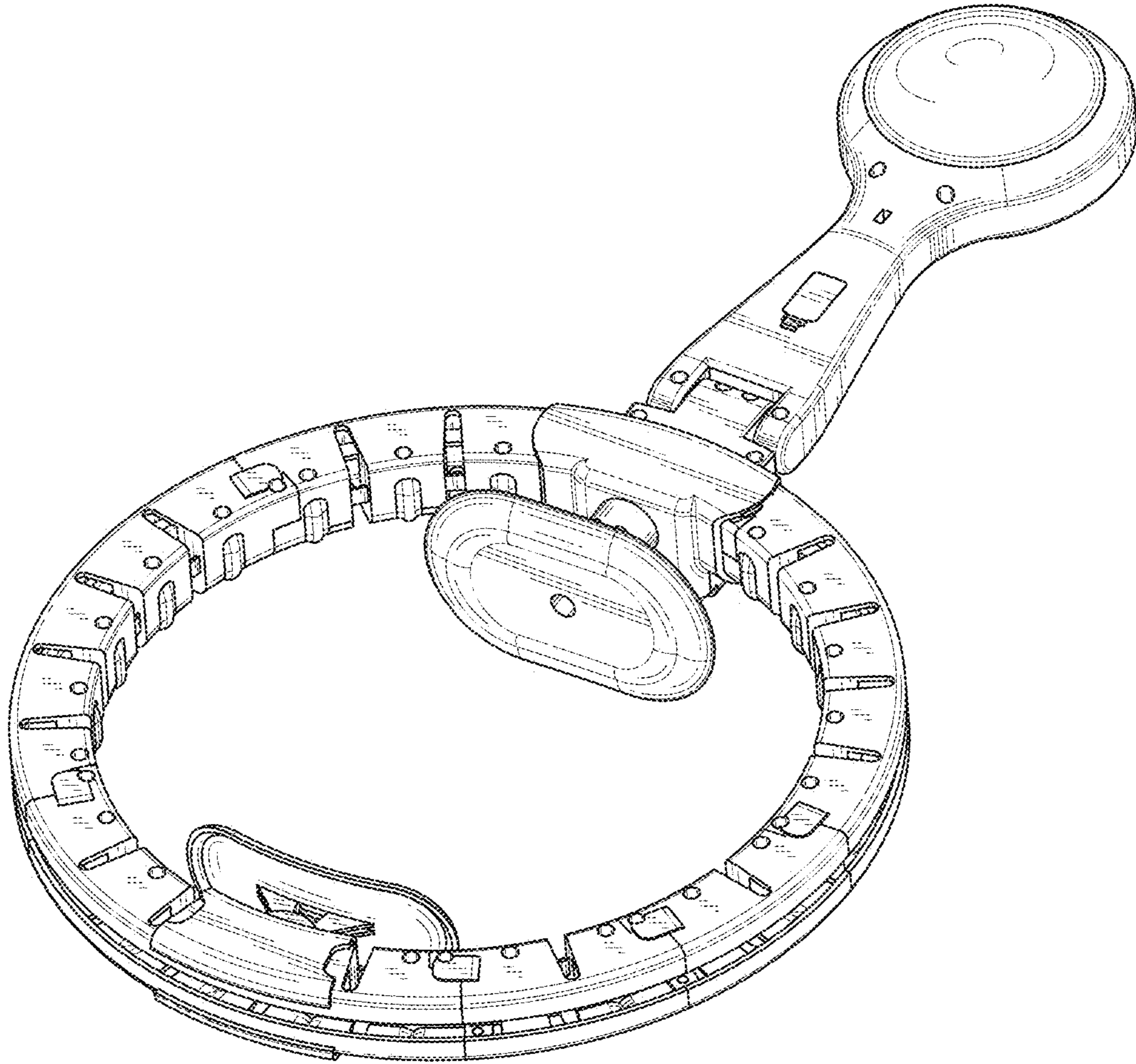


FIG. 2

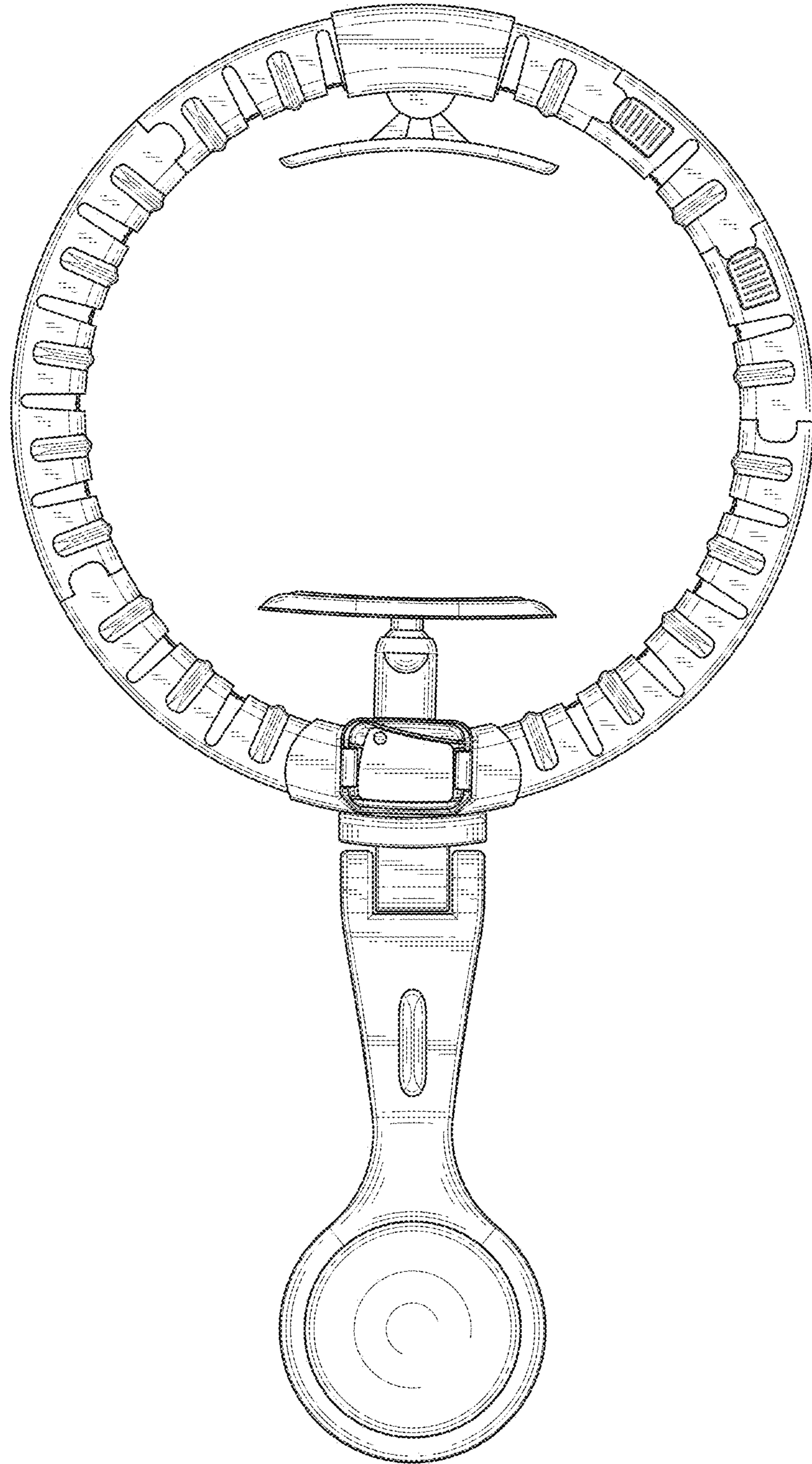


FIG. 3

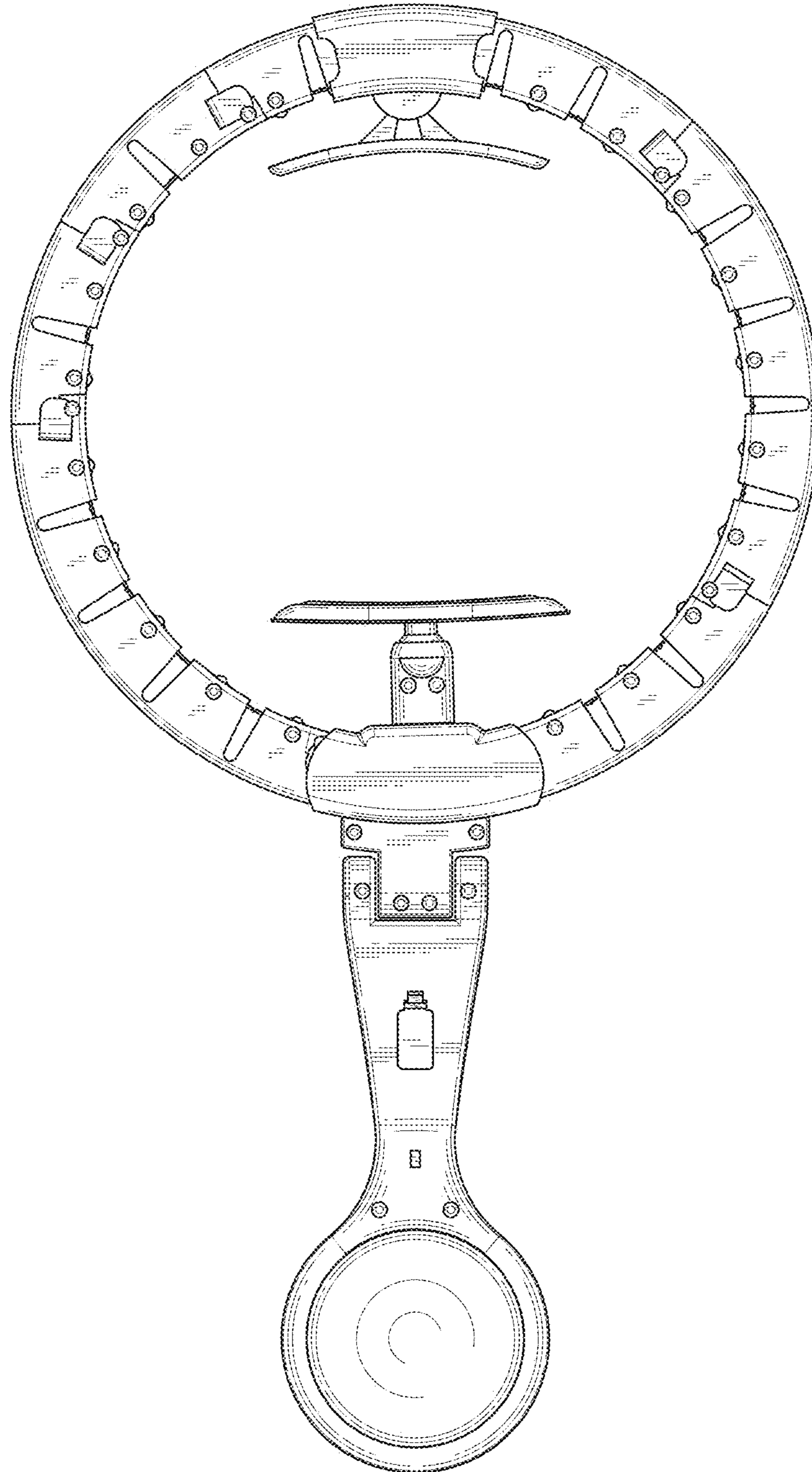


FIG. 4

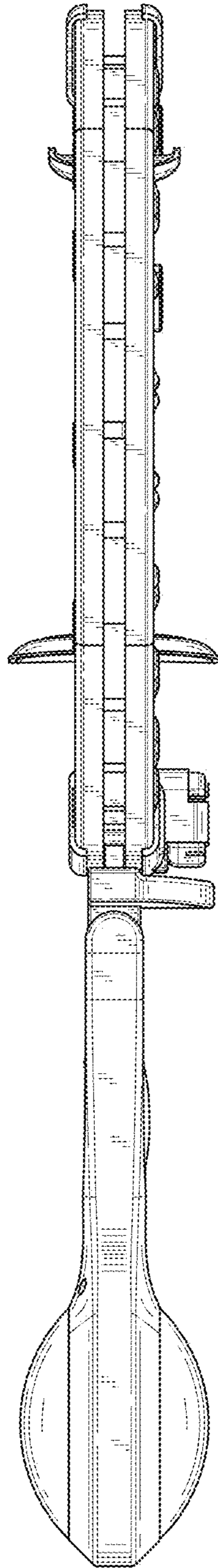


FIG. 5

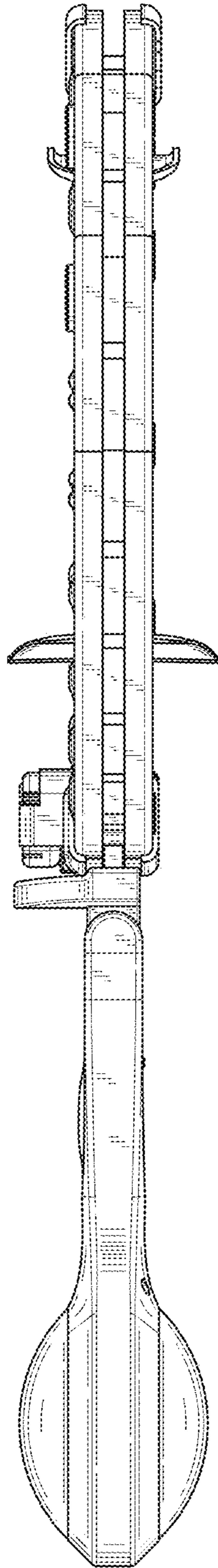


FIG. 6

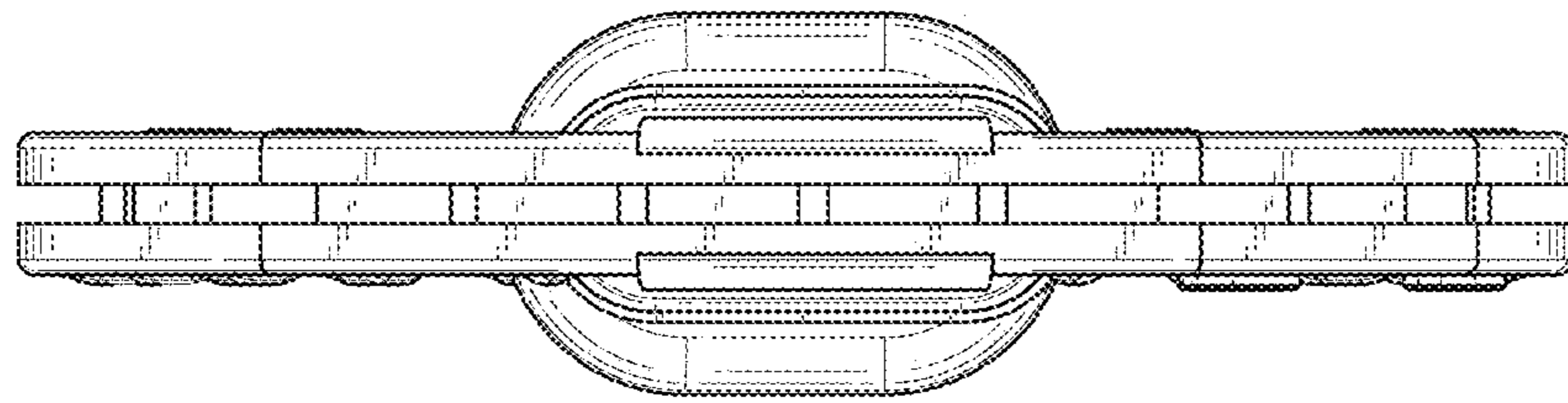


FIG. 7

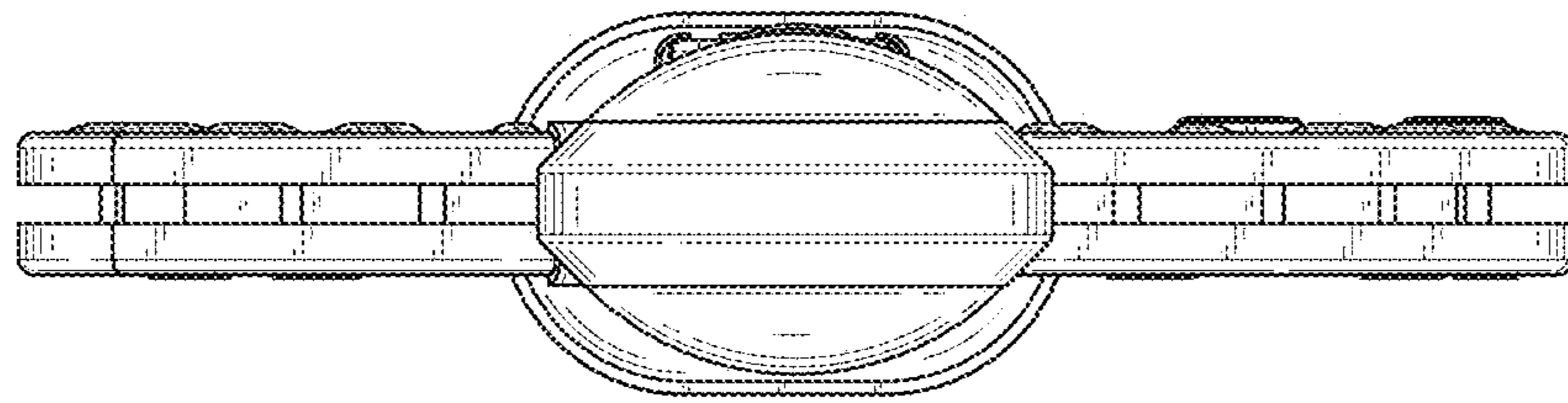


FIG. 8

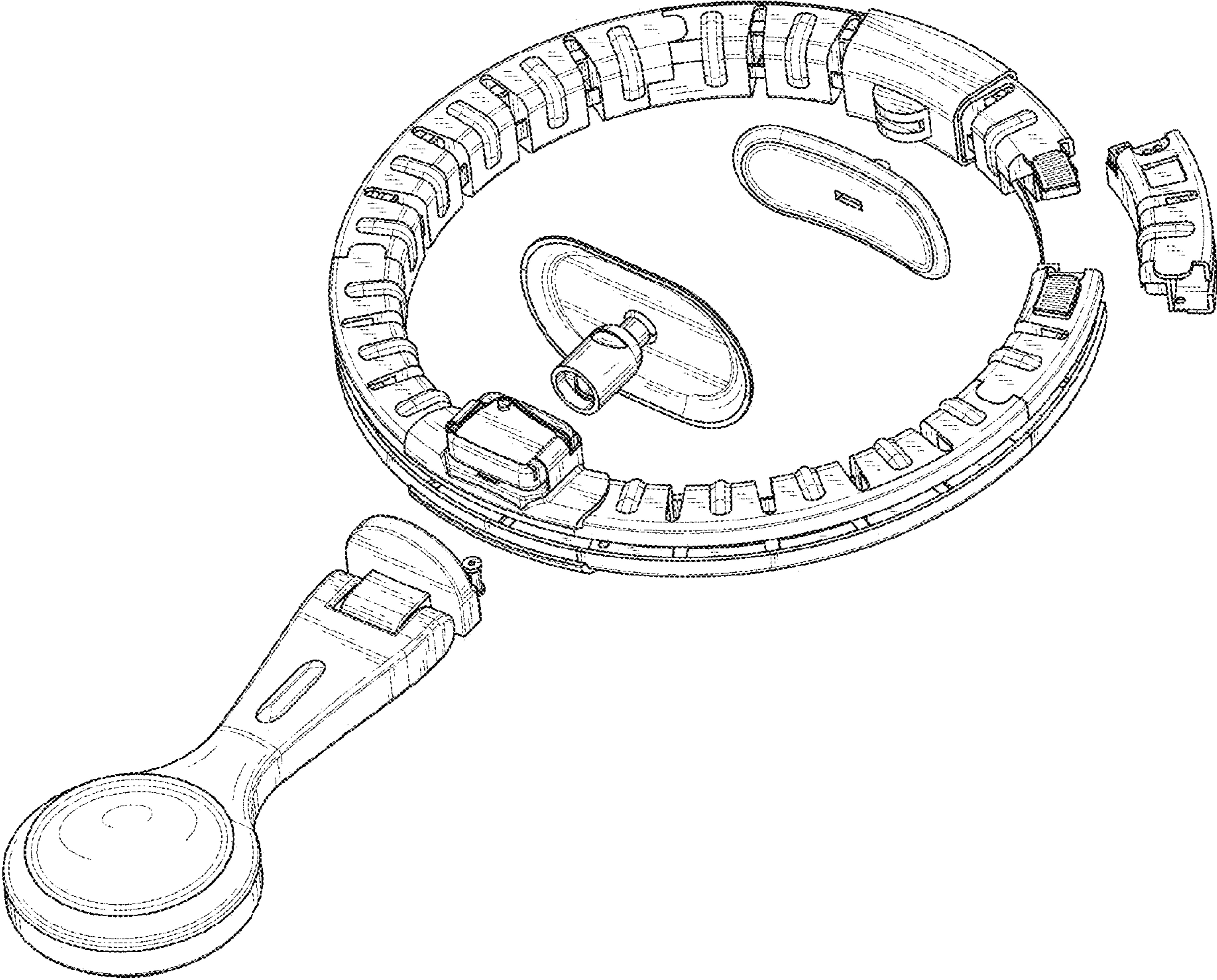


FIG. 9