



US00D965077S

(12) **United States Design Patent** (10) **Patent No.:** **US D965,077 S**  
**Lu** (45) **Date of Patent:** **\*\* Sep. 27, 2022**

(54) **TOY TRACK**

(71) Applicant: **Hanghang Lu**, Shantou (CN)

(72) Inventor: **Hanghang Lu**, Shantou (CN)

(\*\*) Term: **15 Years**

(21) Appl. No.: **29/824,398**

(22) Filed: **Jan. 25, 2022**

(30) **Foreign Application Priority Data**

Jan. 17, 2022 (CN) ..... 202230029608.2

(51) **LOC (13) Cl.** ..... **21-01**

(52) **U.S. Cl.**  
USPC ..... **D21/564**

(58) **Field of Classification Search**  
USPC ..... D21/456, 564, 565  
CPC ..... A63F 7/0088; A63F 7/28; A63F 7/3622;  
A63F 2007/282; A63F 2007/284; A63F  
2007/288; A63F 2003/00391; A63H 18/02  
See application file for complete search history.

(56) **References Cited**

**U.S. PATENT DOCUMENTS**

D284,492 S *	7/1986	Udagawa	.....	D21/564
D289,666 S *	5/1987	Udagawa	.....	D21/564
D300,644 S *	4/1989	Udagawa	.....	D21/564
D354,021 S *	1/1995	Kielbasa	.....	D11/130.1
5,855,501 A *	1/1999	Kato	.....	A63F 7/3622
				446/168
D457,198 S *	5/2002	Yamazaki	.....	D21/456
D492,736 S *	7/2004	Kato	.....	D21/456
D644,696 S	9/2011	Mimlitch, III et al.		
D644,697 S	9/2011	Mimlitch, III et al.		
D651,661 S	1/2012	Yuen		
D889,567 S *	7/2020	Comfort	.....	D21/564
D898,838 S *	10/2020	Chen	.....	D21/564
D957,537 S *	7/2022	Zhang	.....	D21/564

**OTHER PUBLICATIONS**

Marble run, uploaded on Instagram @rokrpuzzle Mar. 18, 2019 [online], [site visited Jul. 16, 2022]. Available from Internet: <URL: <https://www.instagram.com/p/BvKaOLInNFx/>> (Year: 2019).\*

3D Wooden Puzzle Marble Run, uploaded by Rokr Puzzles Mar. 27, 2019 [online], [site visited Jul. 16, 2022]. Available from Internet: <URL: <https://www.youtube.com/watch?v=lyPQCp2g2ZM>> (Year: 2019).\*

Rokr Marble Run Waterwheel Coaster 3D Puzzle, uploaded by Rokr Puzzles Nov. 15, 2019 [online], [site visited Jul. 16, 2022]. Available from Internet: <URL: [https://www.youtube.com/watch?v=ZxonOivl\\_Vo](https://www.youtube.com/watch?v=ZxonOivl_Vo)> (Year: 2019).\*

\* cited by examiner

*Primary Examiner* — Cynthia M. Chin

(74) *Attorney, Agent, or Firm* — Zhihua Han

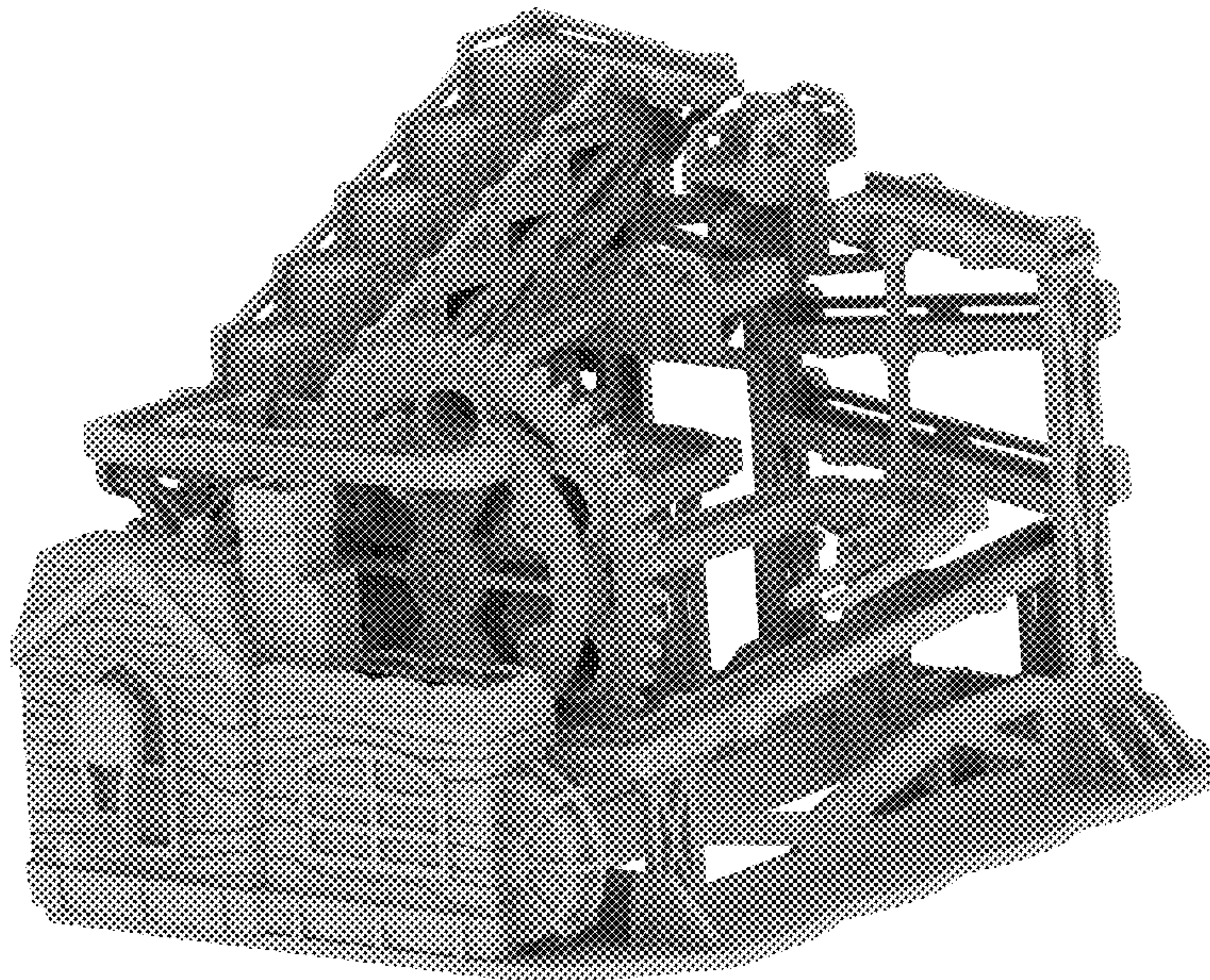
(57) **CLAIM**

The ornamental design for a toy track, as shown and described.

**DESCRIPTION**

FIG. 1 is a first perspective view of a toy track showing my new design;  
FIG. 2 is a second perspective view thereof;  
FIG. 3 is a front view thereof;  
FIG. 4 is a back view thereof;  
FIG. 5 is a left side view thereof;  
FIG. 6 is a right side view thereof;  
FIG. 7 is a top view thereof; and,  
FIG. 8 is a bottom view thereof.  
The broken lines shown in the drawings depict portions of the toy track that form no part of the claimed design.

**1 Claim, 8 Drawing Sheets**





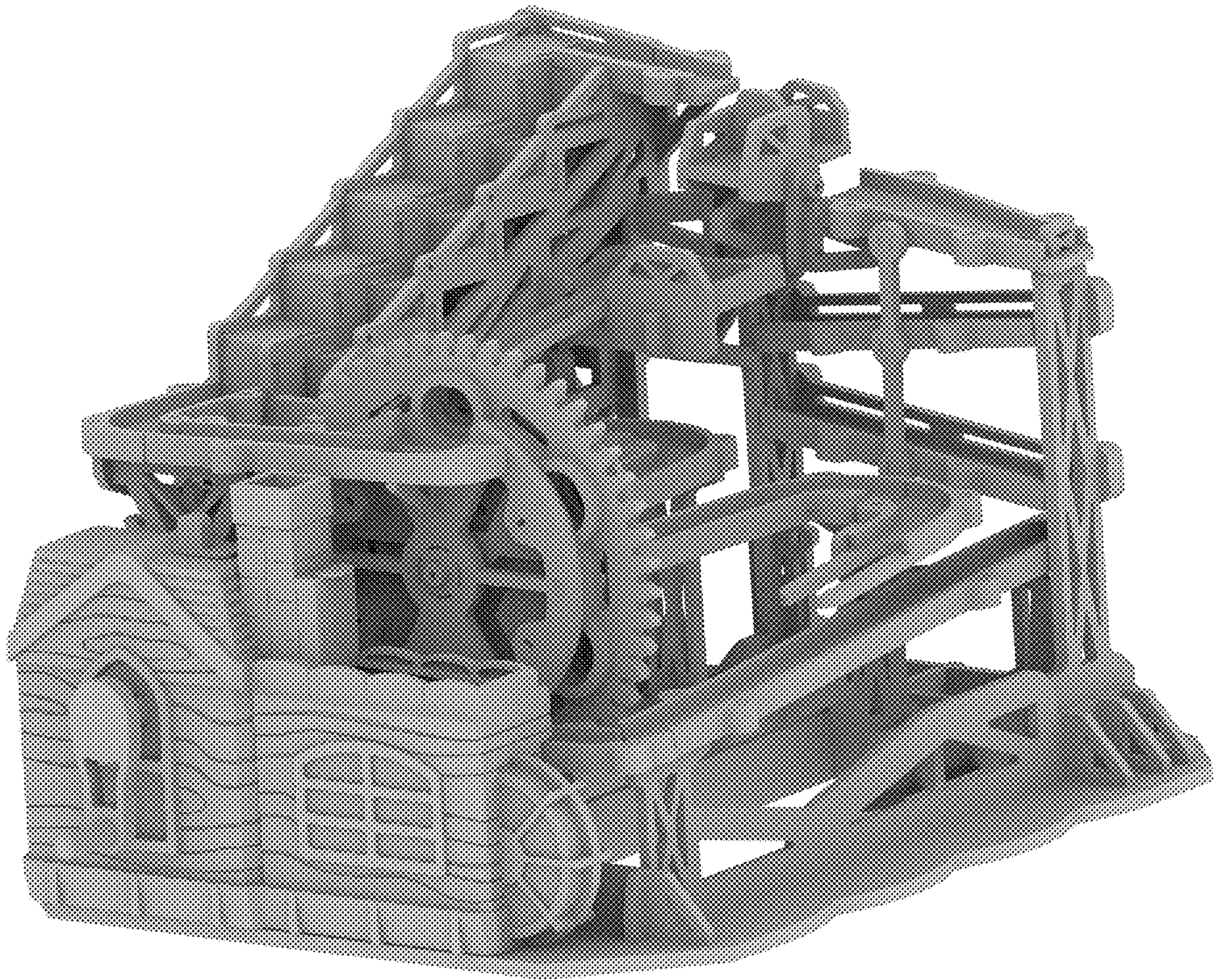


FIG. 1



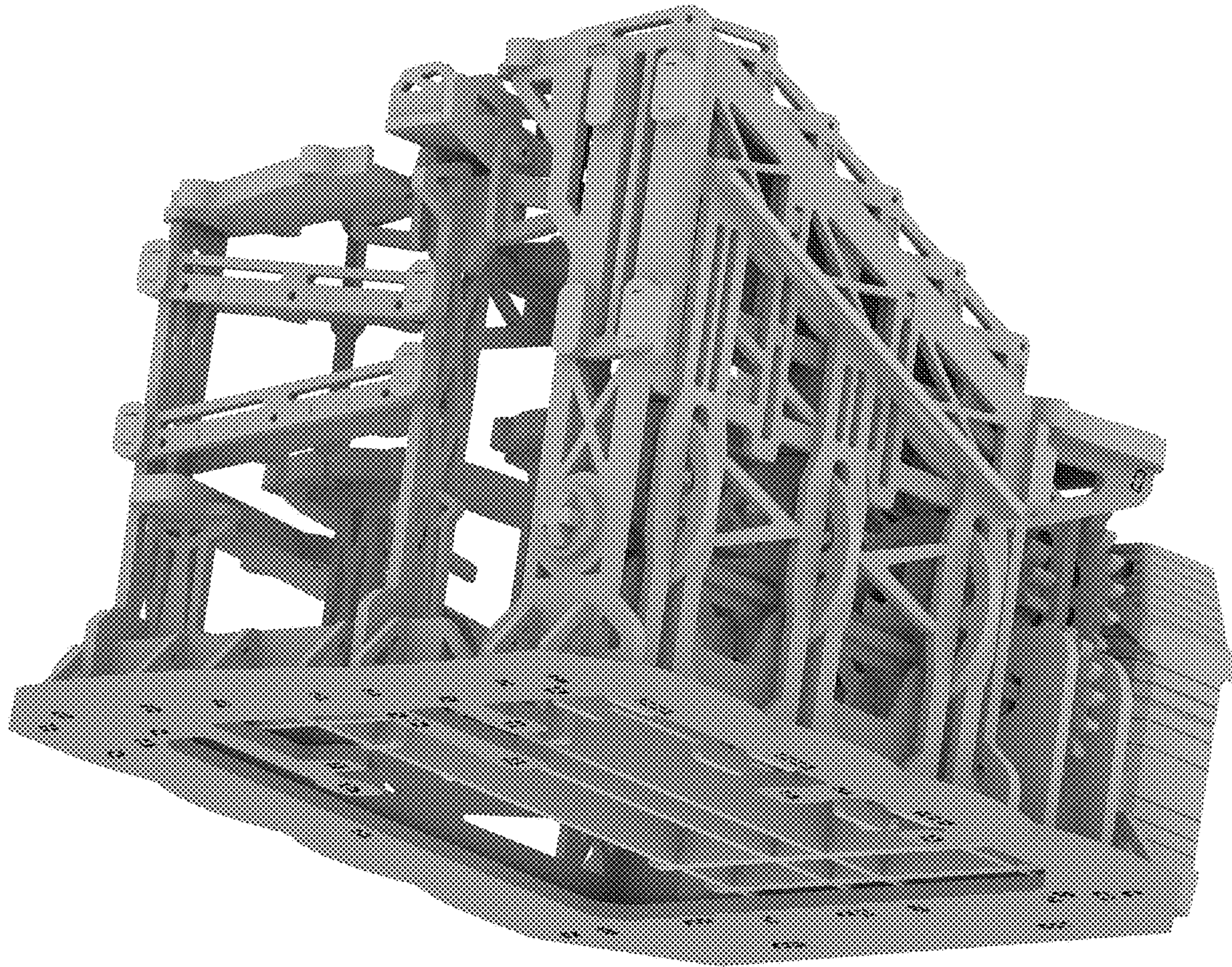


FIG. 2



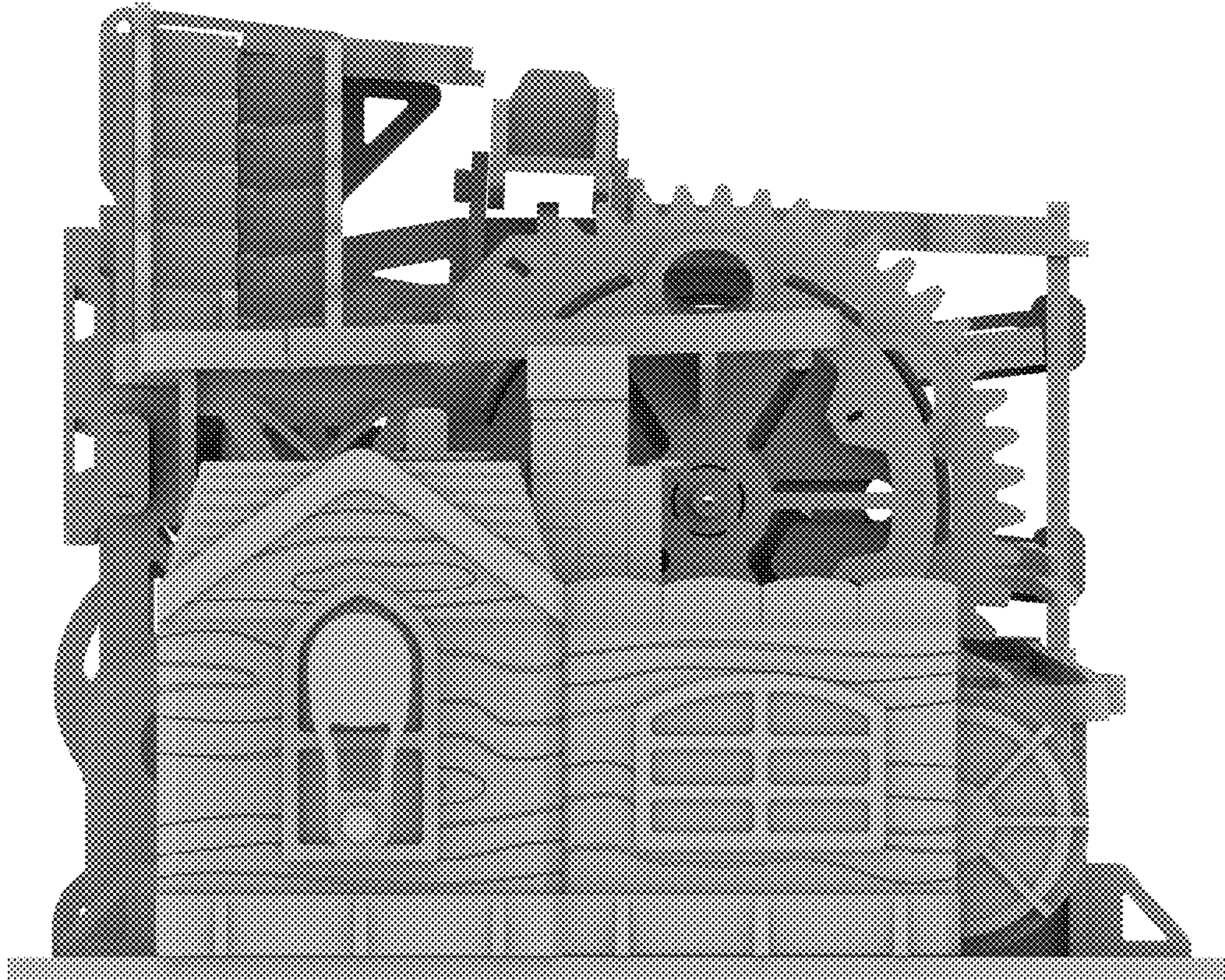


FIG. 3



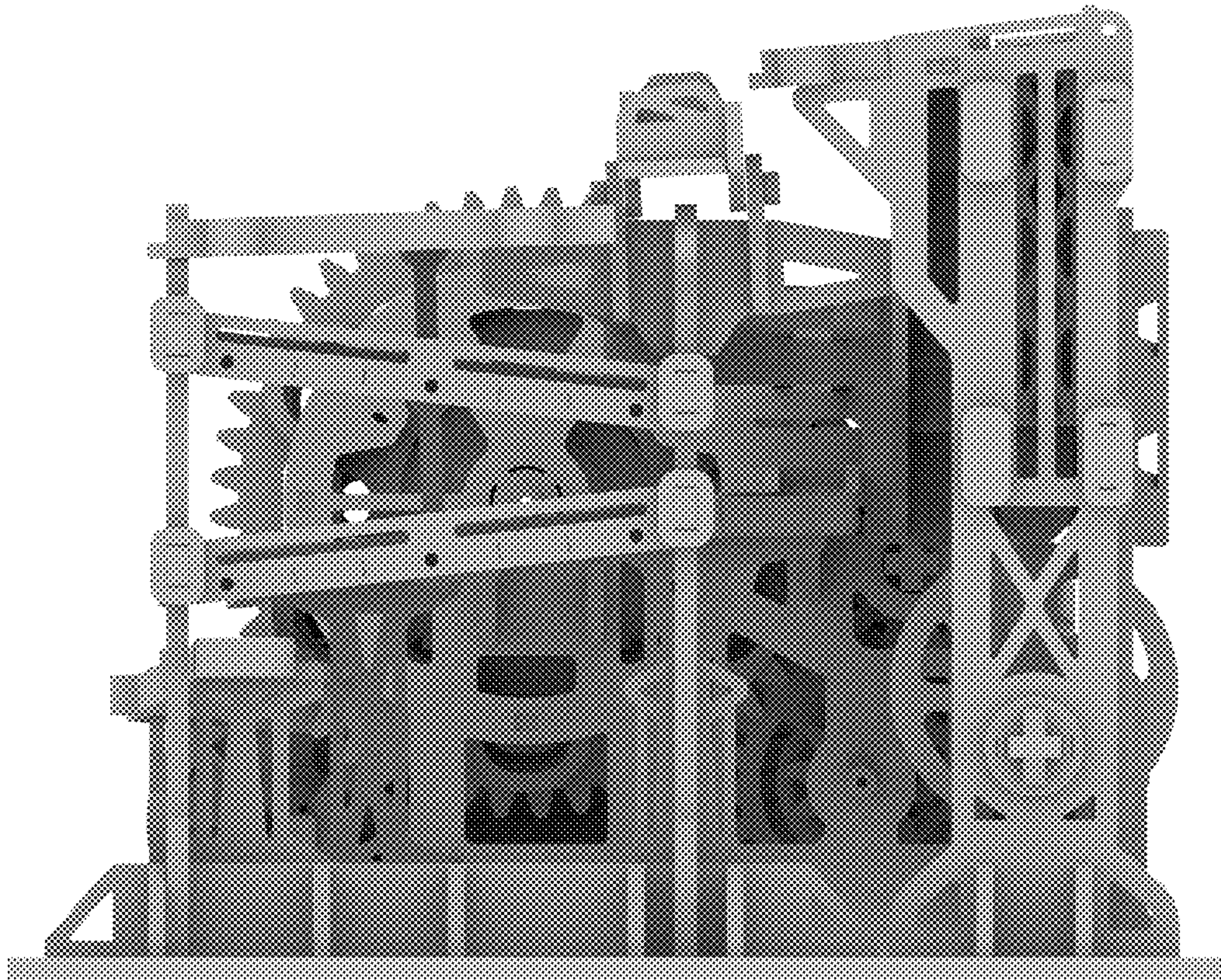


FIG. 4



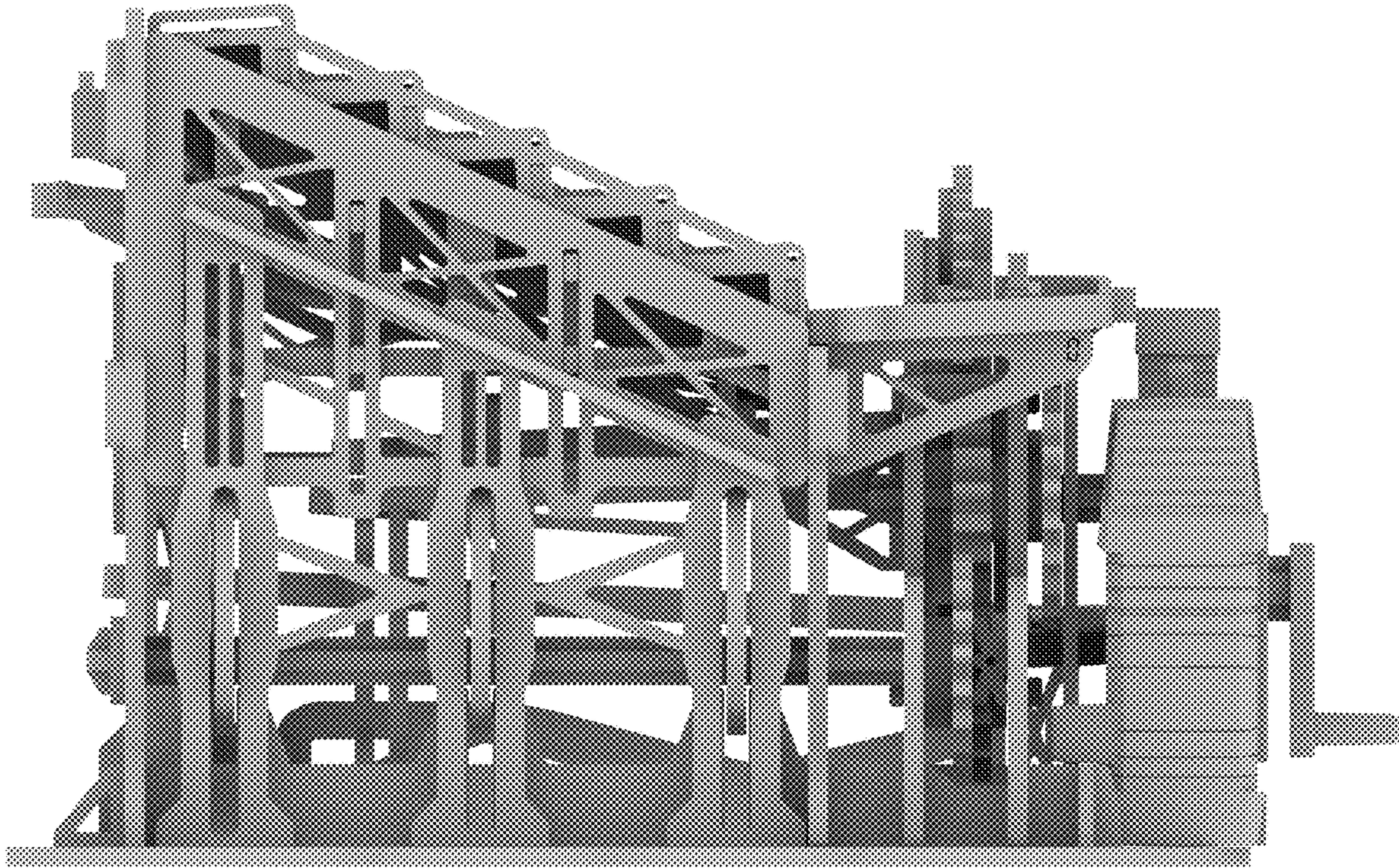


FIG. 5



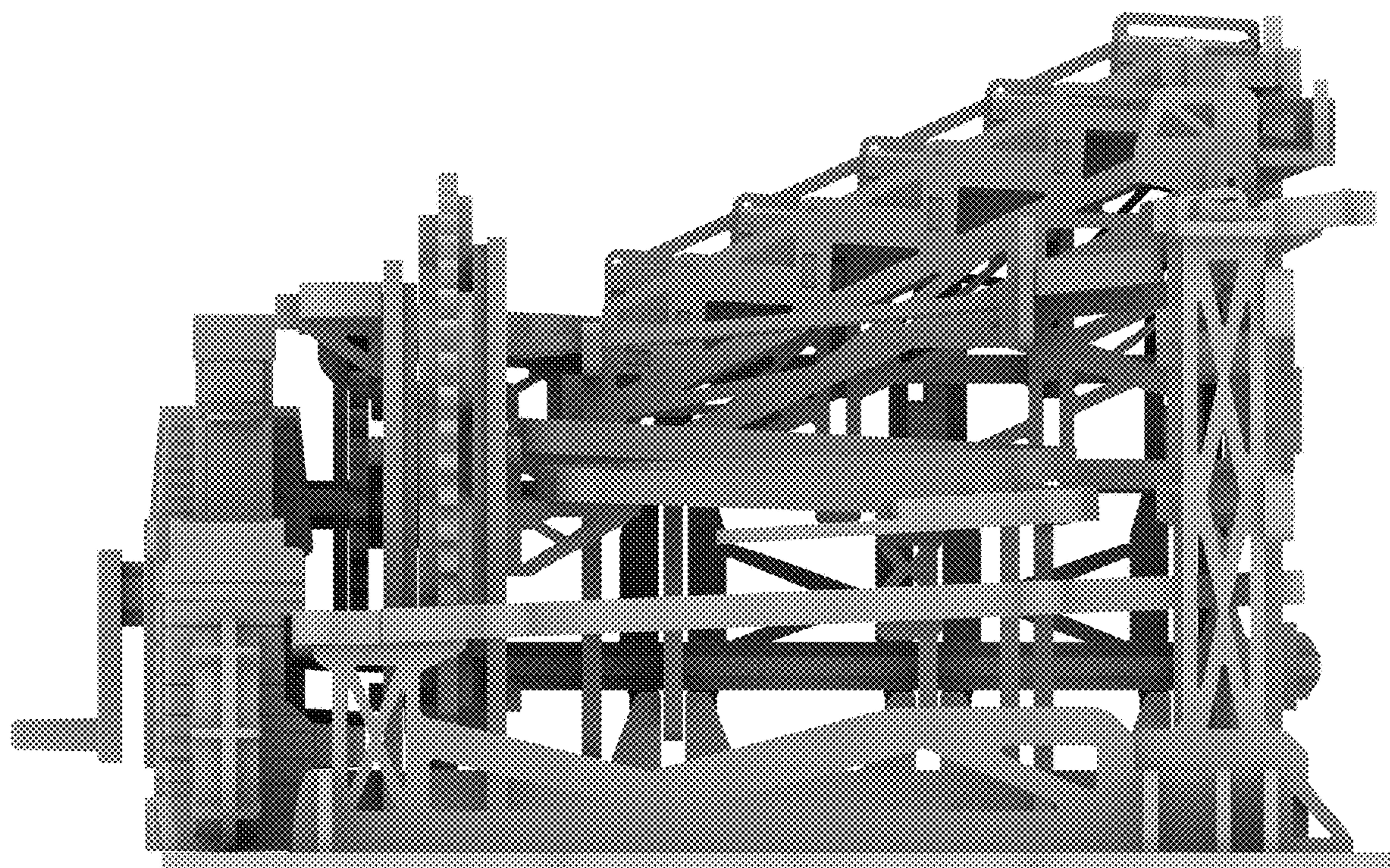


FIG. 6



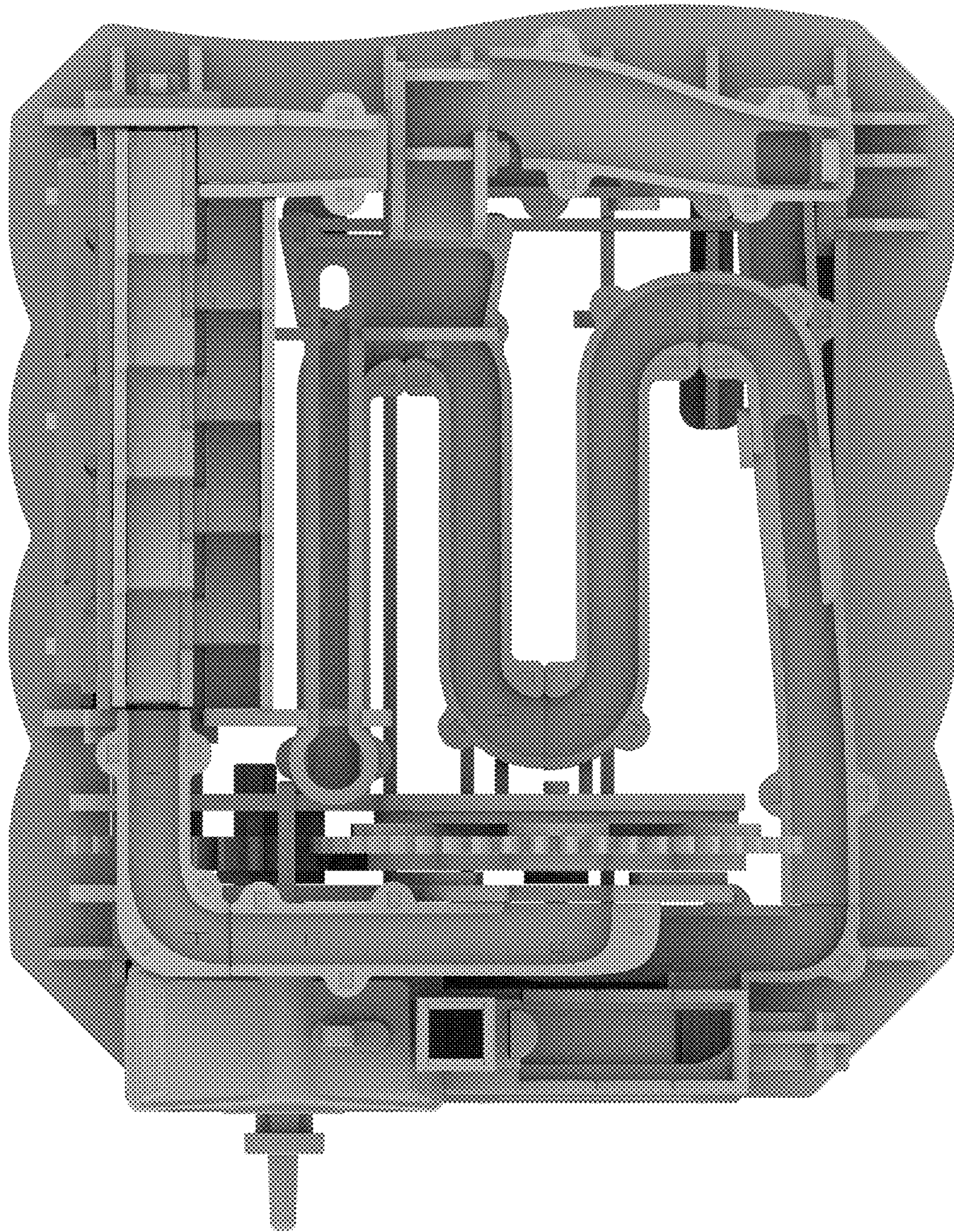


FIG. 7



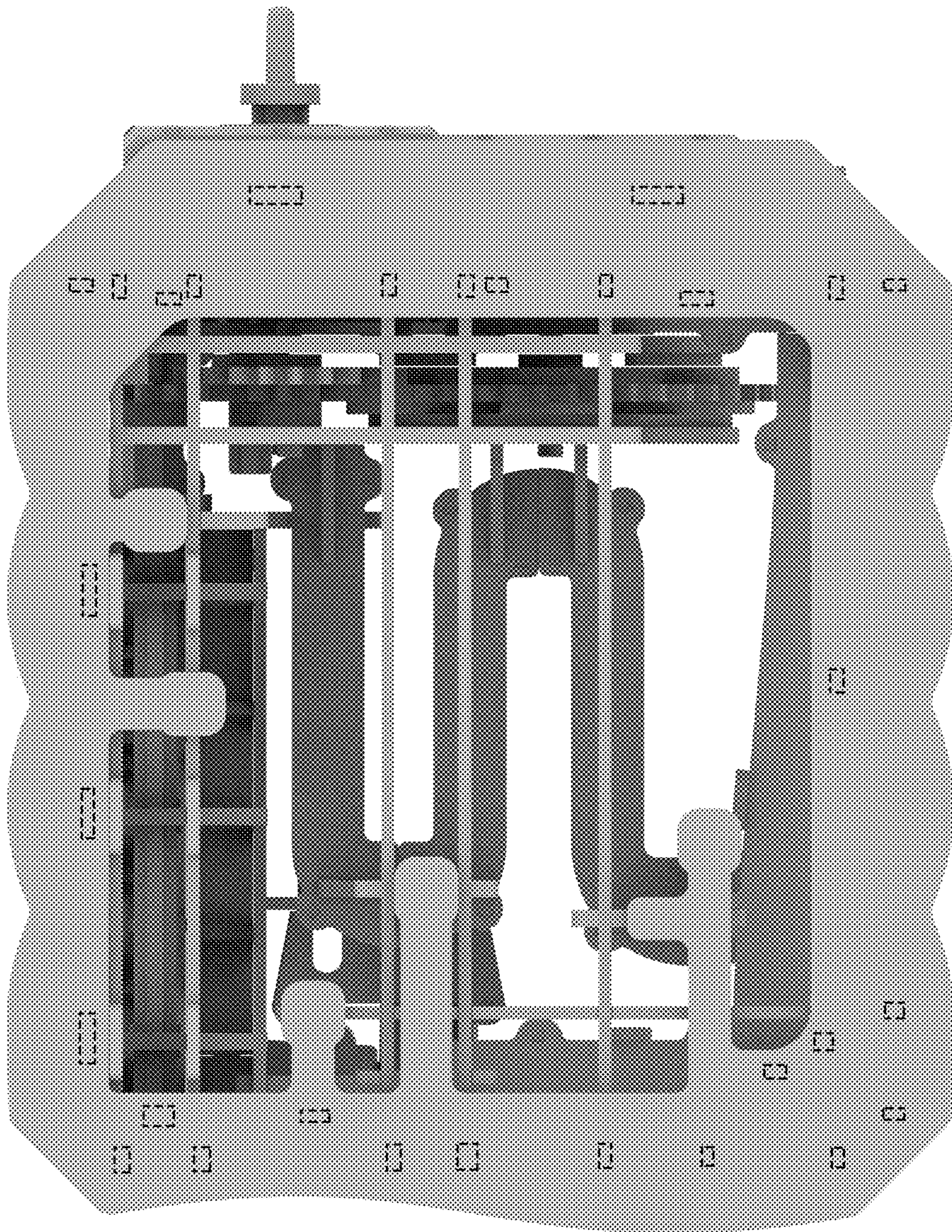


FIG. 8