



US00D965076S

(12) **United States Design Patent**
Zhang

(10) **Patent No.:** **US D965,076 S**

(45) **Date of Patent:** **** Sep. 27, 2022**

(54) **TOY CT MACHINE**

(71) Applicant: **Haibin Zhang**, Shantou (CN)

(72) Inventor: **Haibin Zhang**, Shantou (CN)

(**) Term: **15 Years**

(21) Appl. No.: **29/782,436**

(22) Filed: **May 6, 2021**

(51) **LOC (13) Cl.** **21-01**

(52) **U.S. Cl.**
USPC **D21/529**

(58) **Field of Classification Search**

USPC D21/521, 519, 529; D6/339, 369
CPC A47C 5/02; A47C 9/005; A47C 13/005;
A47C 4/021; A47C 4/024; A47C 4/03;
A47C 5/005; A47C 7/006; A61B 6/501

See application file for complete search history.

(56) **References Cited**

U.S. PATENT DOCUMENTS

D243,785 S *	3/1977	Cordrey	D21/529
D359,086 S *	6/1995	Thomsen	D21/483
D559,922 S *	1/2008	Kim	D21/529
2003/0181810 A1 *	9/2003	Murphy	A61L 31/18 600/427
2004/0101104 A1 *	5/2004	Avinash	A61B 6/482 378/98.12
2007/0183589 A1 *	8/2007	Tybinkowski	A61B 6/032 378/198
2012/0140899 A1 *	6/2012	Bailey	A61B 6/501 378/198
2014/0257094 A1 *	9/2014	Meetz	G16H 50/30 600/431

2017/0367608 A1 *	12/2017	Hsin	A61B 5/24
2018/0140272 A1 *	5/2018	Ruchala	G01T 1/161
2020/0054409 A1 *	2/2020	Stanton	A61B 6/4423

FOREIGN PATENT DOCUMENTS

CN	106667510 A *	5/2017	A61B 6/03
CN	306231595	* 12/2020		

OTHER PUBLICATIONS

AMazon Doctors Kit toy w CT machine, oldest review Sep. 26, 2021, site visited Feb. 10, 2022, https://www.amazon.com/Doctor-Kit-Kids-Realistic-Toys/dp/B0983CB9G8/ref=cm_cr_arp_d_product_top?ie=UTF8.*

* cited by examiner

Primary Examiner — John R Yeh

(74) *Attorney, Agent, or Firm* — Justin Lampel

(57) **CLAIM**

The ornamental design for a toy CT machine, as shown and described.

DESCRIPTION

FIG. 1 is a perspective view of a toy CT machine showing the claimed design;

FIG. 2 is a top plan view thereof;

FIG. 3 is a left side view thereof;

FIG. 4 is a front elevational view thereof;

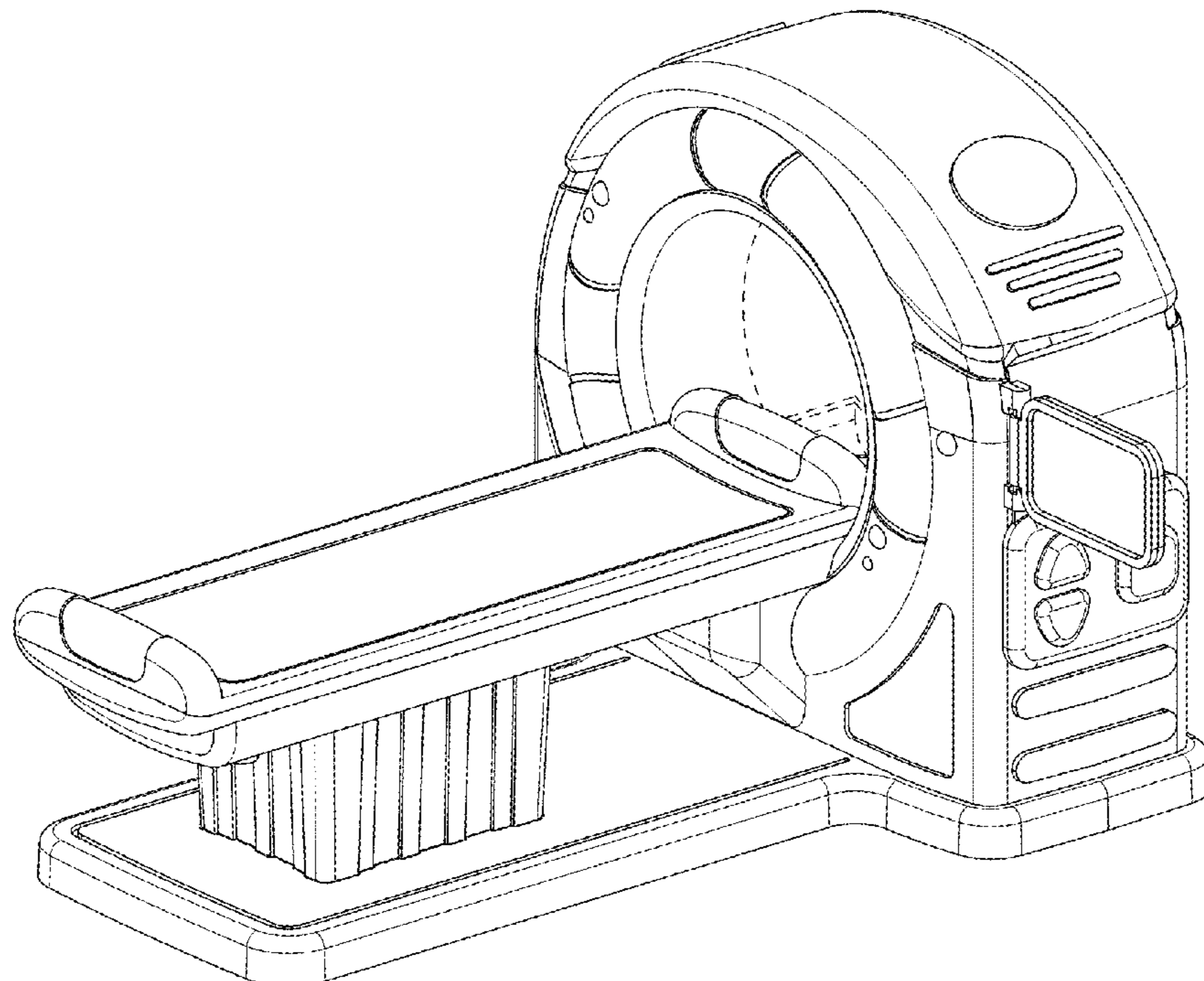
FIG. 5 is a right side view thereof;

FIG. 6 is a rear elevational view thereof; and,

FIG. 7 is a bottom plan view thereof.

The broken lines illustrate portions of the toy CT machine that form no part of the claimed design.

1 Claim, 7 Drawing Sheets



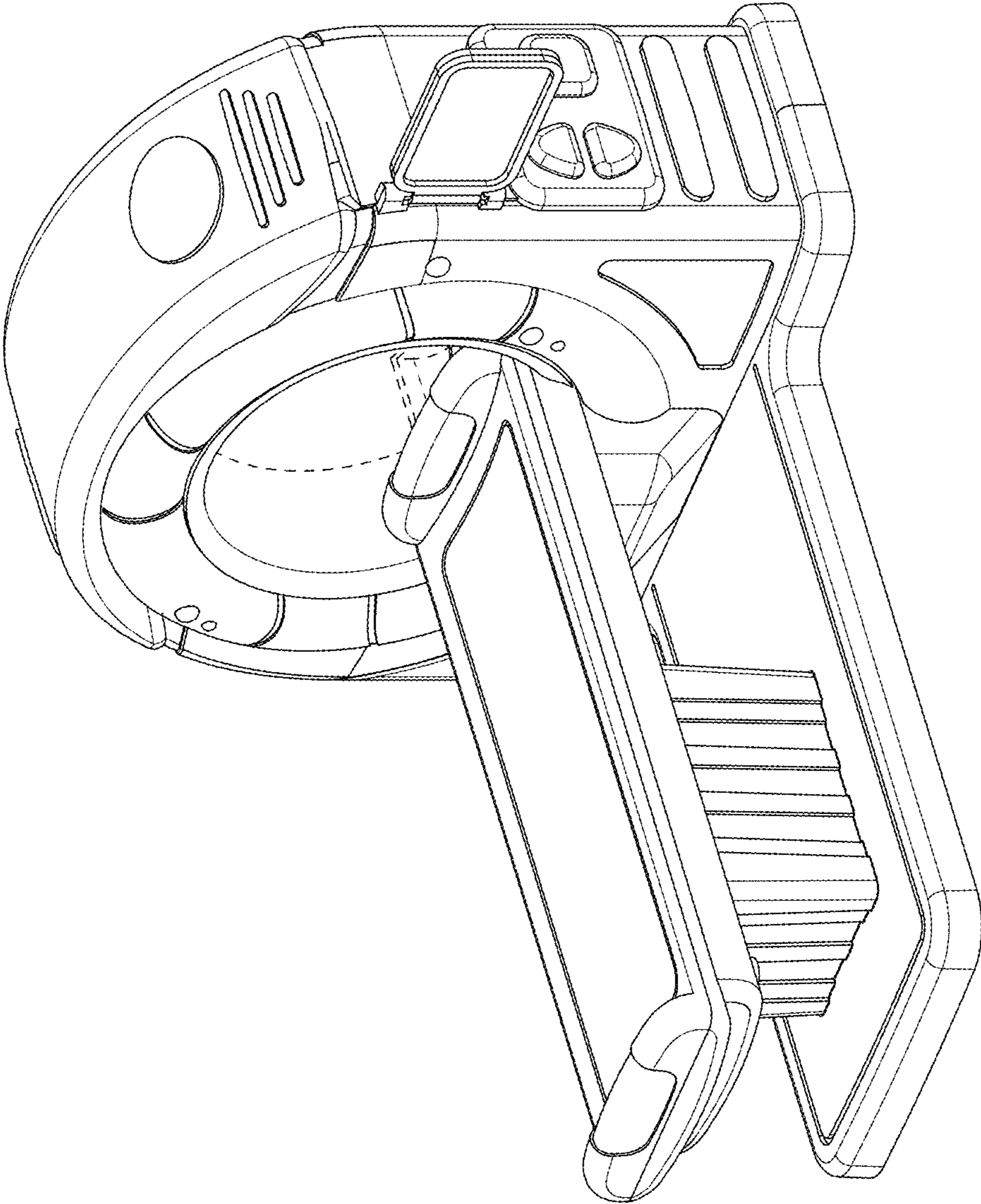


FIG.1

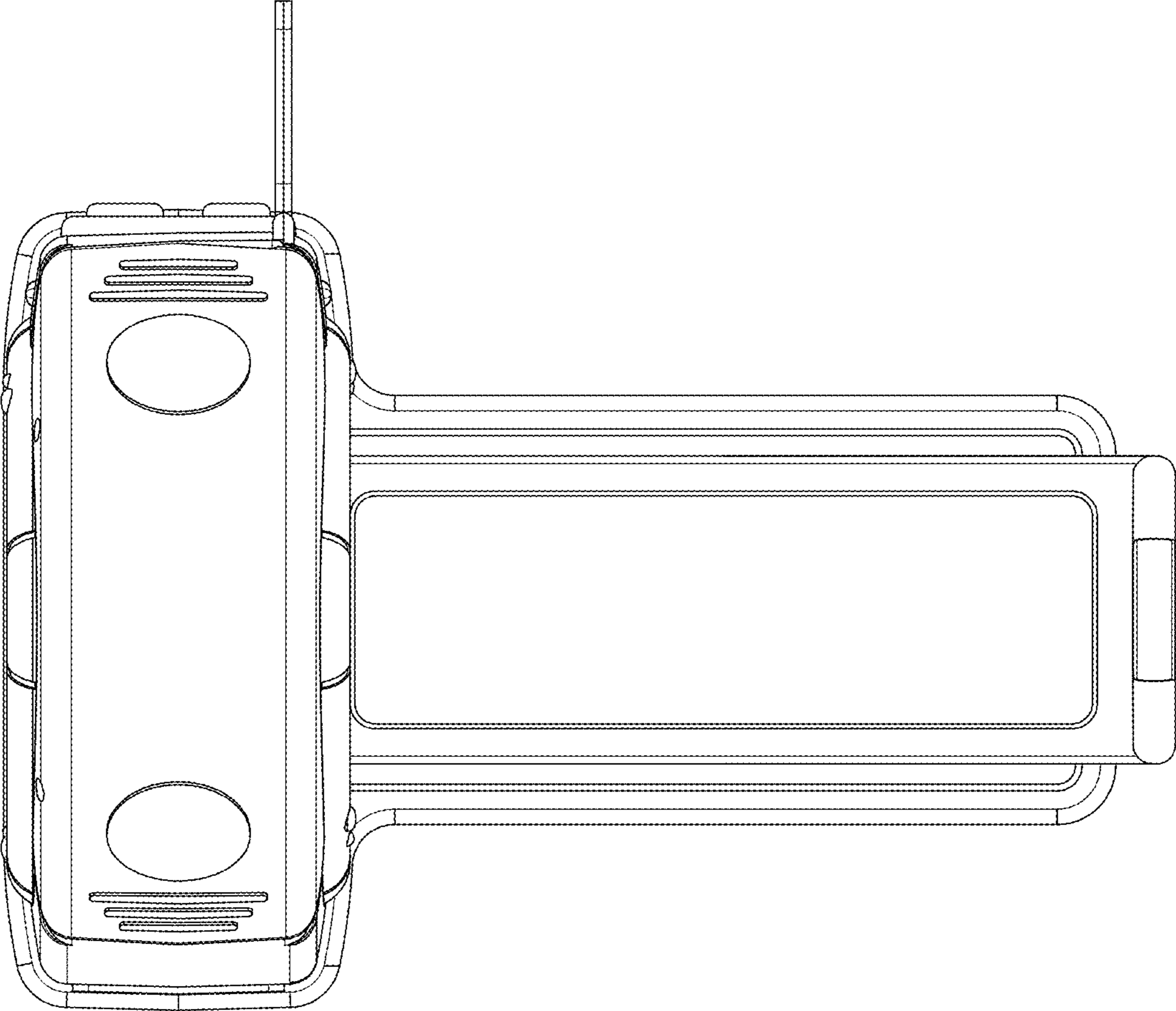


FIG. 2

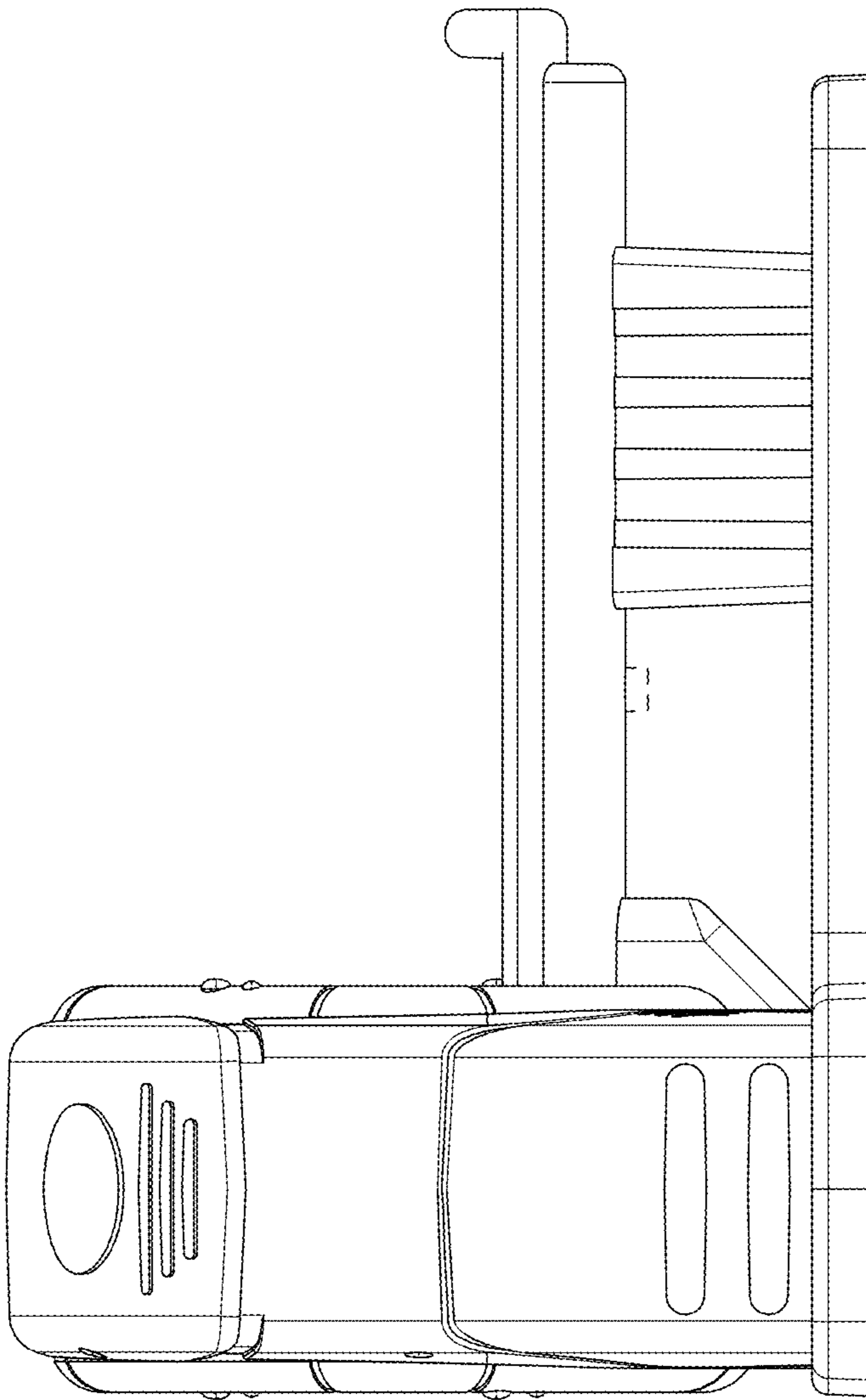


FIG. 3

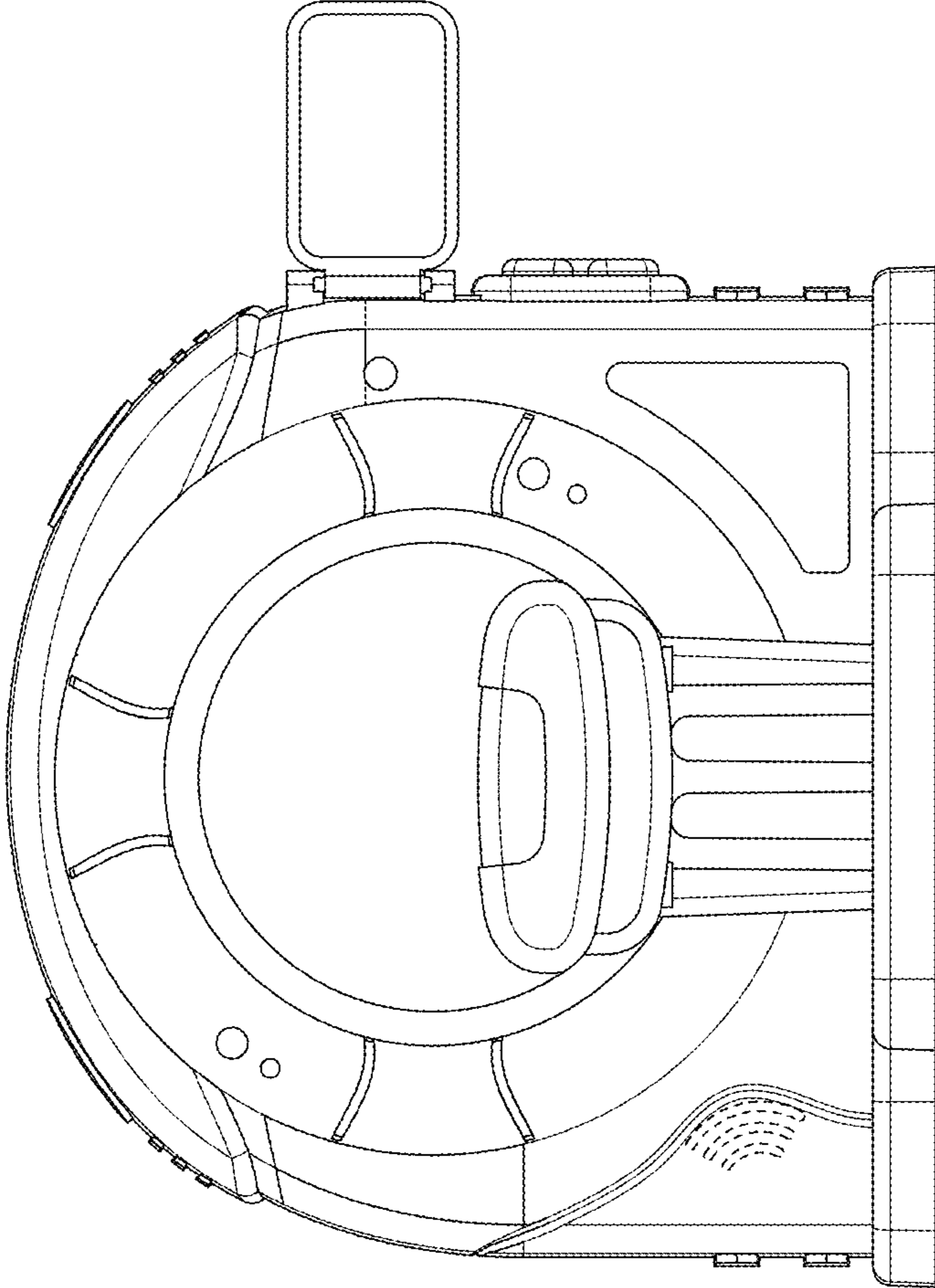


FIG. 4

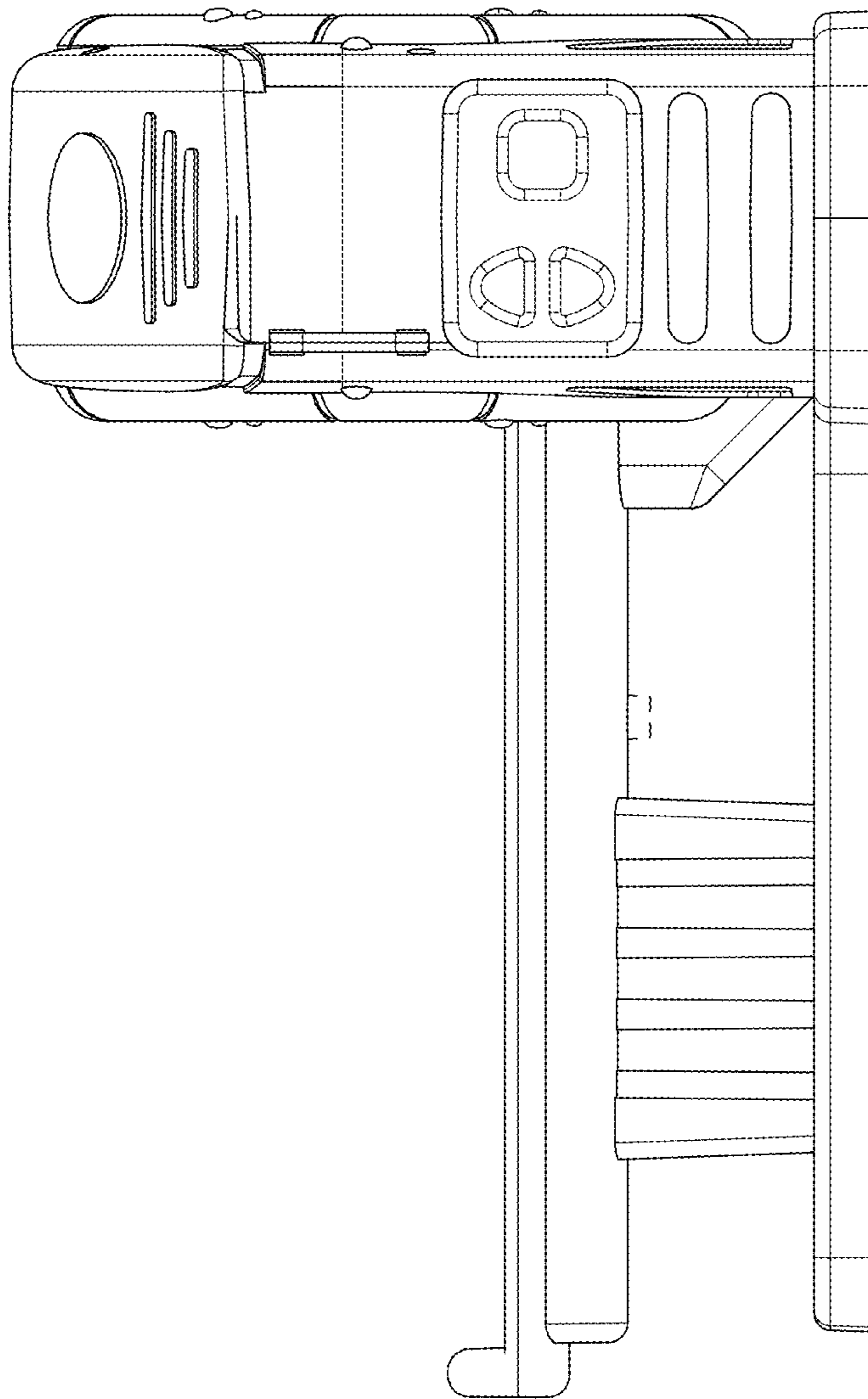


FIG. 5

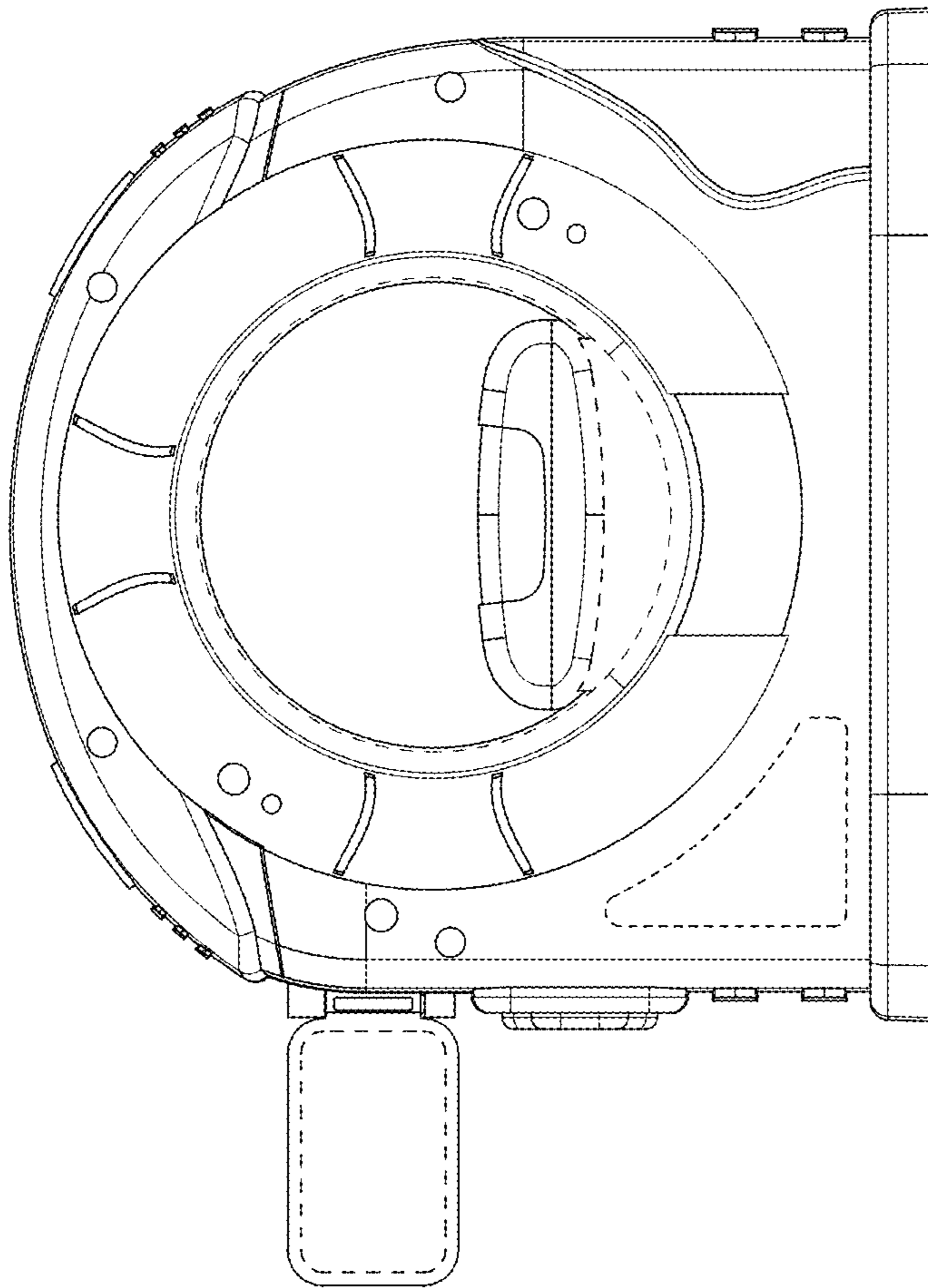


FIG.6

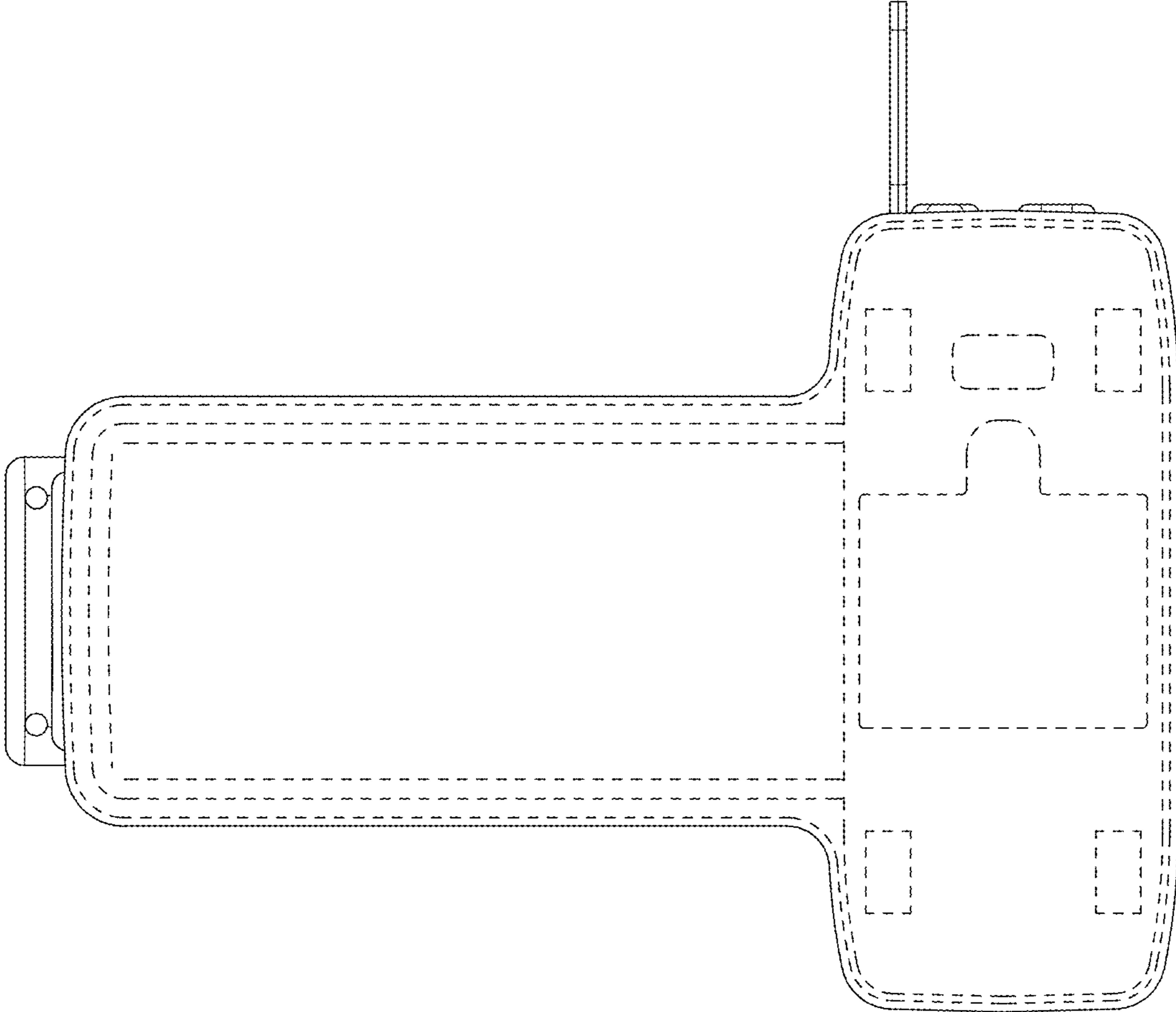


FIG. 7