



US00D965074S

(12) **United States Design Patent**  
**Zheng**

(10) **Patent No.:** **US D965,074 S**

(45) **Date of Patent:** **\*\* Sep. 27, 2022**

- (54) **PENCIL CASE**
- (71) Applicant: **Shenzhen Teshun International Trade Co., Ltd.**, Shenzhen (CN)
- (72) Inventor: **Jinting Zheng**, Guangdong (CN)
- (73) Assignee: **Shenzhen Teshun International Trade Co., Ltd.**, Shenzhen (CN)

- D924,336 S \* 7/2021 Yu ..... D21/341
- D924,980 S \* 7/2021 Yu ..... D21/341
- D930,084 S \* 9/2021 Ye ..... D21/468
- D937,359 S \* 11/2021 Chen ..... D21/360
- D938,715 S 12/2021 Long
- D939,635 S \* 12/2021 Chen ..... D21/468
- D941,398 S \* 1/2022 Zhang ..... D21/468
- D943,026 S \* 2/2022 Yu ..... D21/350
- D944,332 S \* 2/2022 Yu ..... D21/468
- D946,660 S \* 3/2022 Deng ..... D21/350

(\*\*) Term: **15 Years**

(Continued)

(21) Appl. No.: **29/821,938**

**FOREIGN PATENT DOCUMENTS**

(22) Filed: **Jan. 4, 2022**

GB 6178599 \* 11/2021

(51) **LOC (13) Cl.** ..... **21-01**

(52) **U.S. Cl.**

**OTHER PUBLICATIONS**

USPC ..... **D21/468**

“Pop it Bag Compilation”, Aug. 16, 2021, Youtube, site visited Jul. 28, 2022: <https://www.youtube.com/watch?v=aMz1GtPwbOM> (Year: 2021).\*

(58) **Field of Classification Search**

USPC ..... D21/334, 338-346, 350, 377, 385, 473, D21/475, 478, 491, 512, 406, 444; D19/686, 687, 662, 797, 688, 484, 671, D19/690, 792, 780, 698, 500, 501, 499; D7/550.1, 553.4, 553.5, 553.7, 553.8, D7/555-557, 611, 701, 702, 708, 624.1, D7/357, 359, 672, 675, 677, 388, 409, D7/410; D9/758

CPC ..... A63B 21/078; A63H 5/00; A63H 33/00; A63H 33/001; A63F 3/00214; A63F 3/00533; A63F 3/00574; A63F 3/00697; A63F 3/0415; A63F 3/06; A63F 3/062; A63F 3/0625; A63F 3/0635; A63F 3/0695; A63F 2003/00258; A63F 2003/00394; A63F 2003/00397; A63F 2003/004; A63F 2003/00457; A63F 2003/00504; A63F 2003/0418

(Continued)

*Primary Examiner* — Jack Reickel  
*Assistant Examiner* — Salamah Jordan  
(74) *Attorney, Agent, or Firm* — ScienBiziP, P.C.

See application file for complete search history.

(57) **CLAIM**

The ornamental design for a pencil case, as shown and described.

(56) **References Cited**

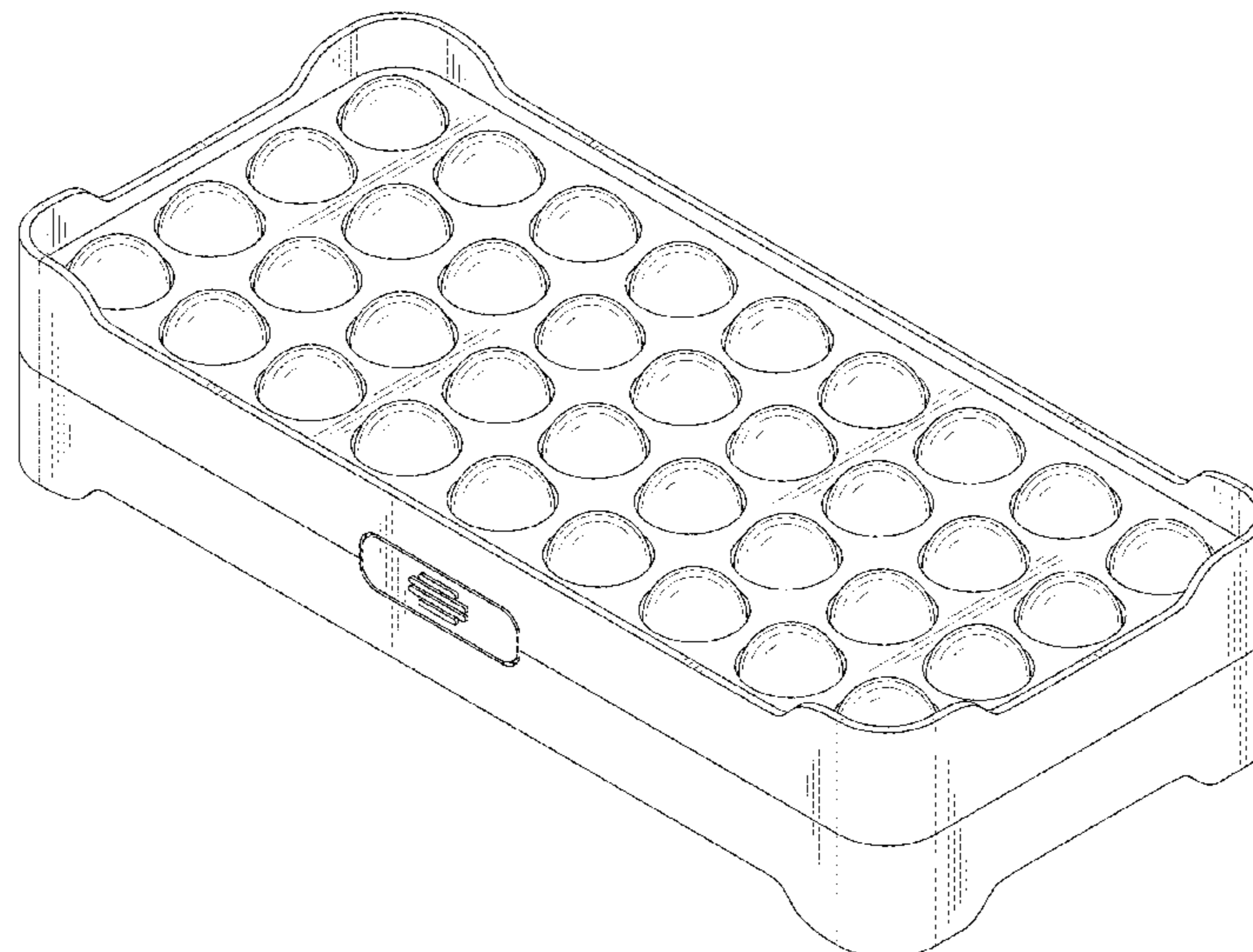
**DESCRIPTION**

**U.S. PATENT DOCUMENTS**

FIG. 1 is a front, right and top perspective view of a pencil case, showing my design.  
FIG. 2 is a rear, left and bottom perspective view thereof.  
FIG. 3 is a front elevation view thereof.  
FIG. 4 is a rear elevation view thereof.  
FIG. 5 is a left side elevation view thereof.  
FIG. 6 is a right side elevation view thereof.  
FIG. 7 is a top plan view thereof; and,  
FIG. 8 is a bottom plan view thereof.

- D529,711 S 10/2006 Shamoon
- D921,118 S \* 6/2021 Yu ..... D21/350

**1 Claim, 8 Drawing Sheets**



(56)

**References Cited**

U.S. PATENT DOCUMENTS

D947,953	S	*	4/2022	Cui	.....	D21/468
D948,630	S	*	4/2022	Yu	.....	D21/468
D950,649	S	*	5/2022	Deng	.....	D21/468
D952,748	S	*	5/2022	Li	.....	D21/350
D953,440	S	*	5/2022	Li	.....	D21/468
D955,499	S	*	6/2022	Li	.....	D21/468

OTHER PUBLICATIONS

“Pencil Case for Girls”, Feb. 14, 2022, Amazon, site visited Jul. 28, 2022: <https://amzn.to/3oD1ZMt> (Year: 2022).\*

“Pop Pencil Case”, Aug. 5, 2021, Amazon, site visited Jun. 28, 2022: <https://amzn.to/3Q4PCVi> (Year: 2021).\*

\* cited by examiner

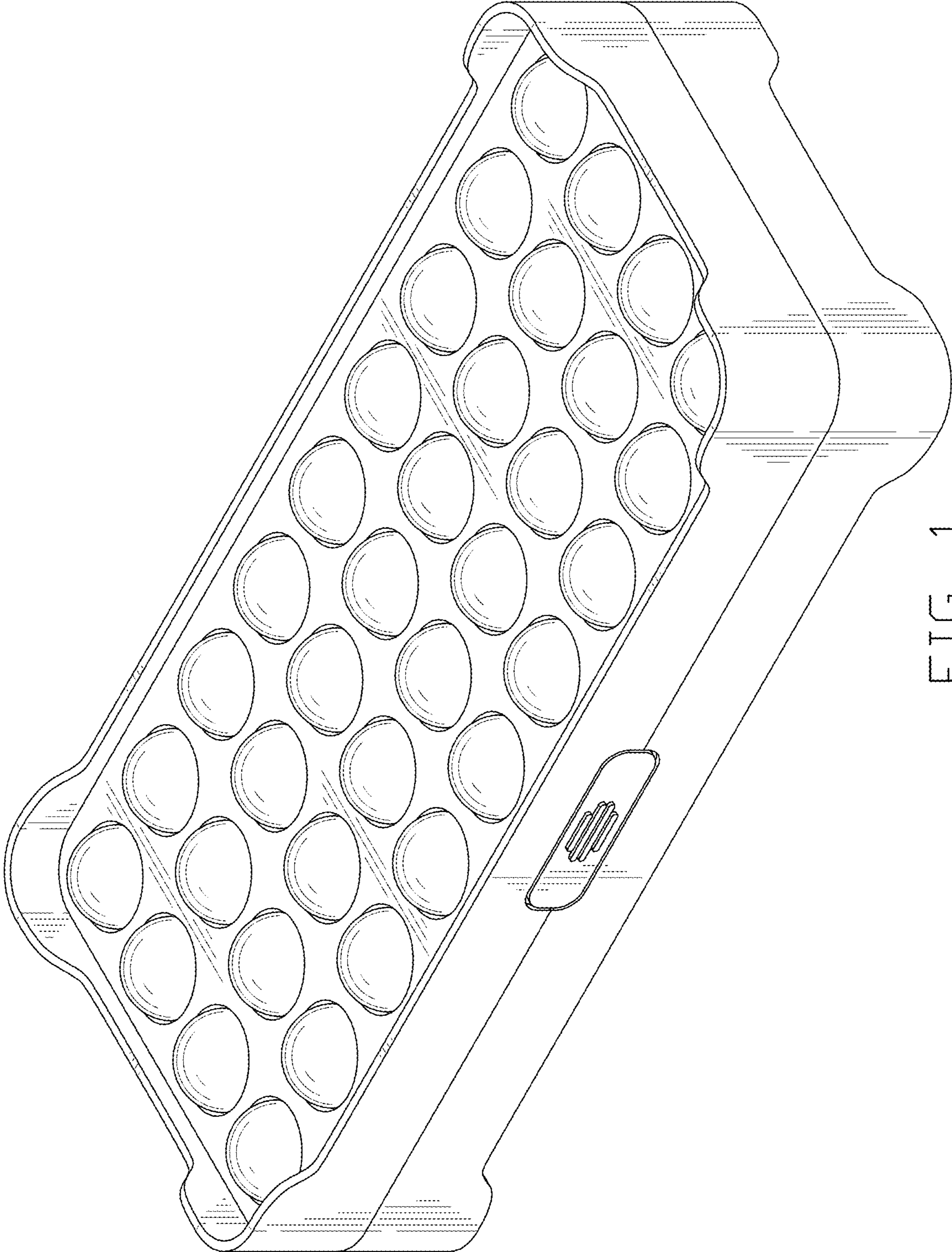
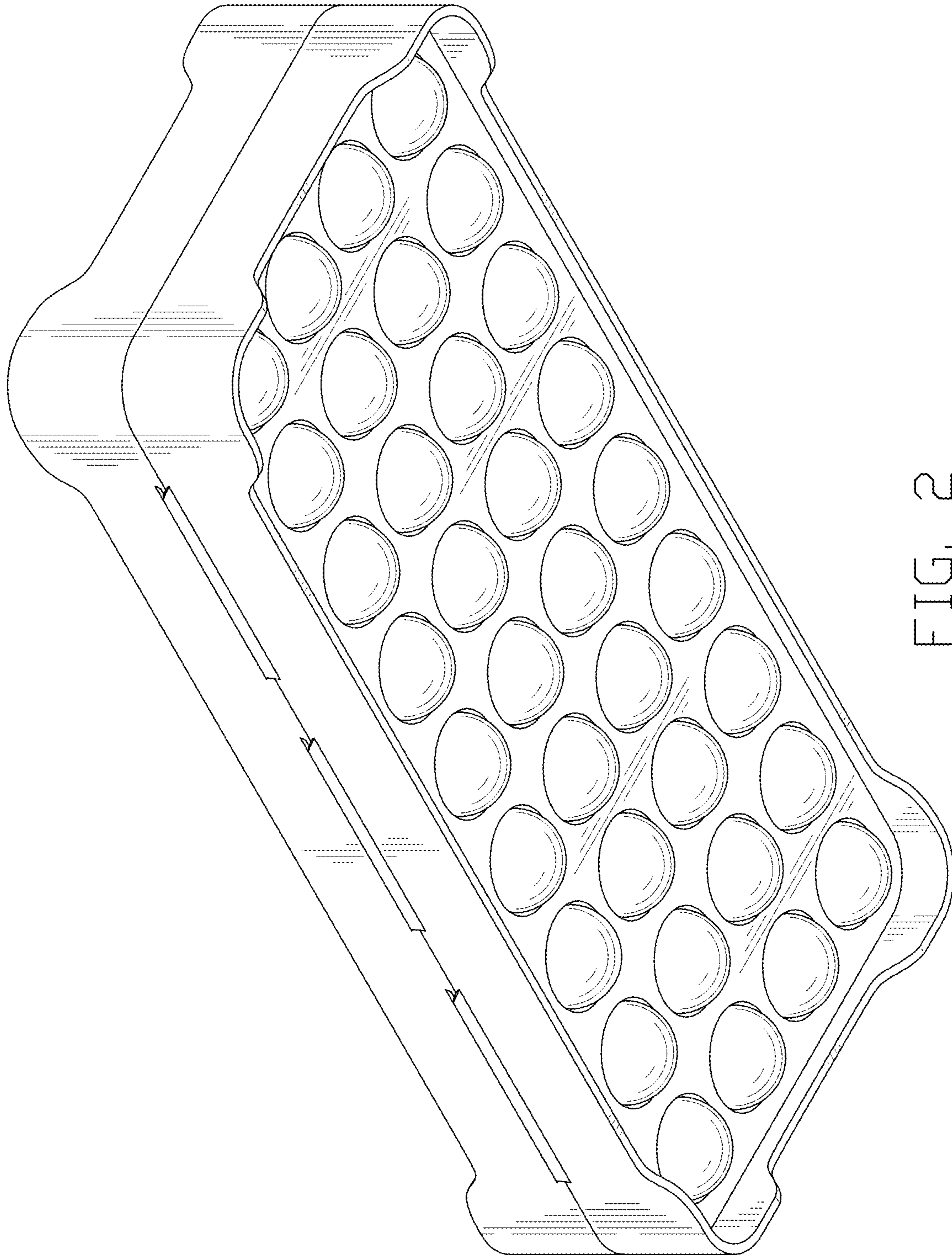


FIG. 1





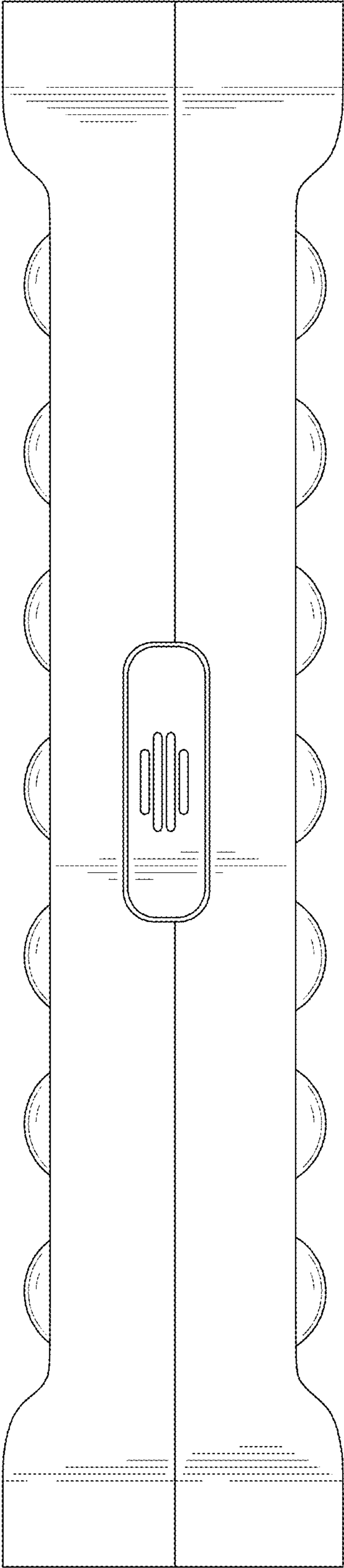


FIG. 3

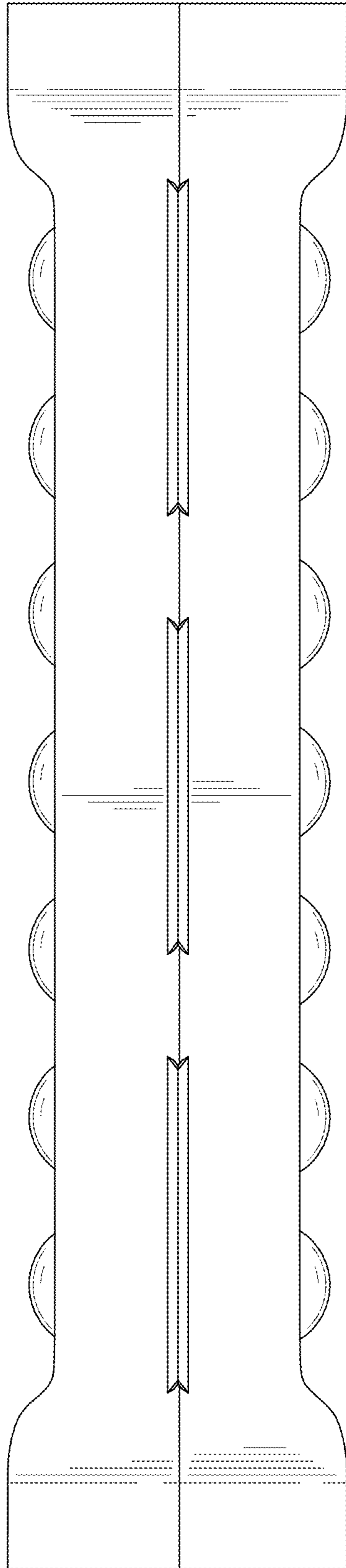


FIG. 4

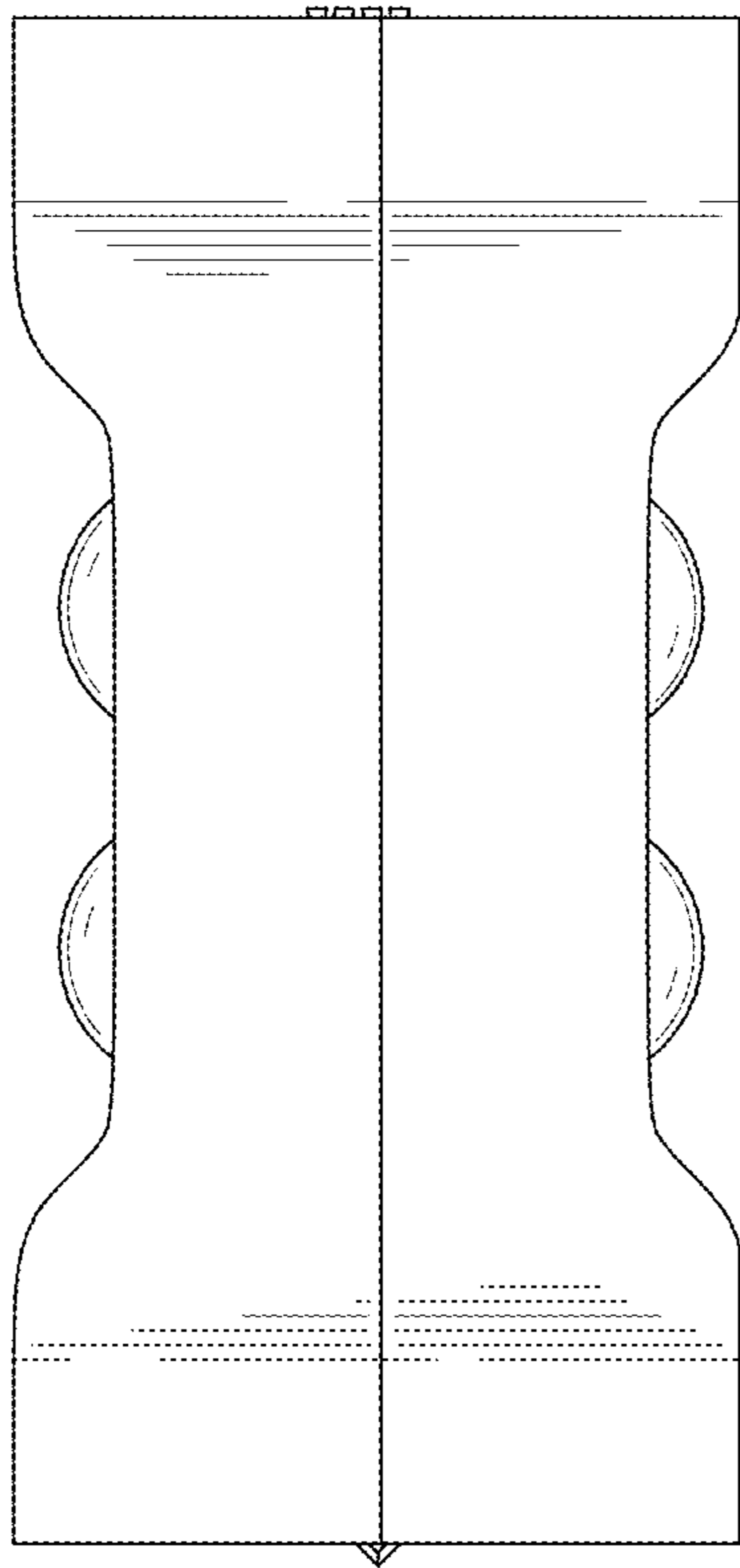


FIG. 5

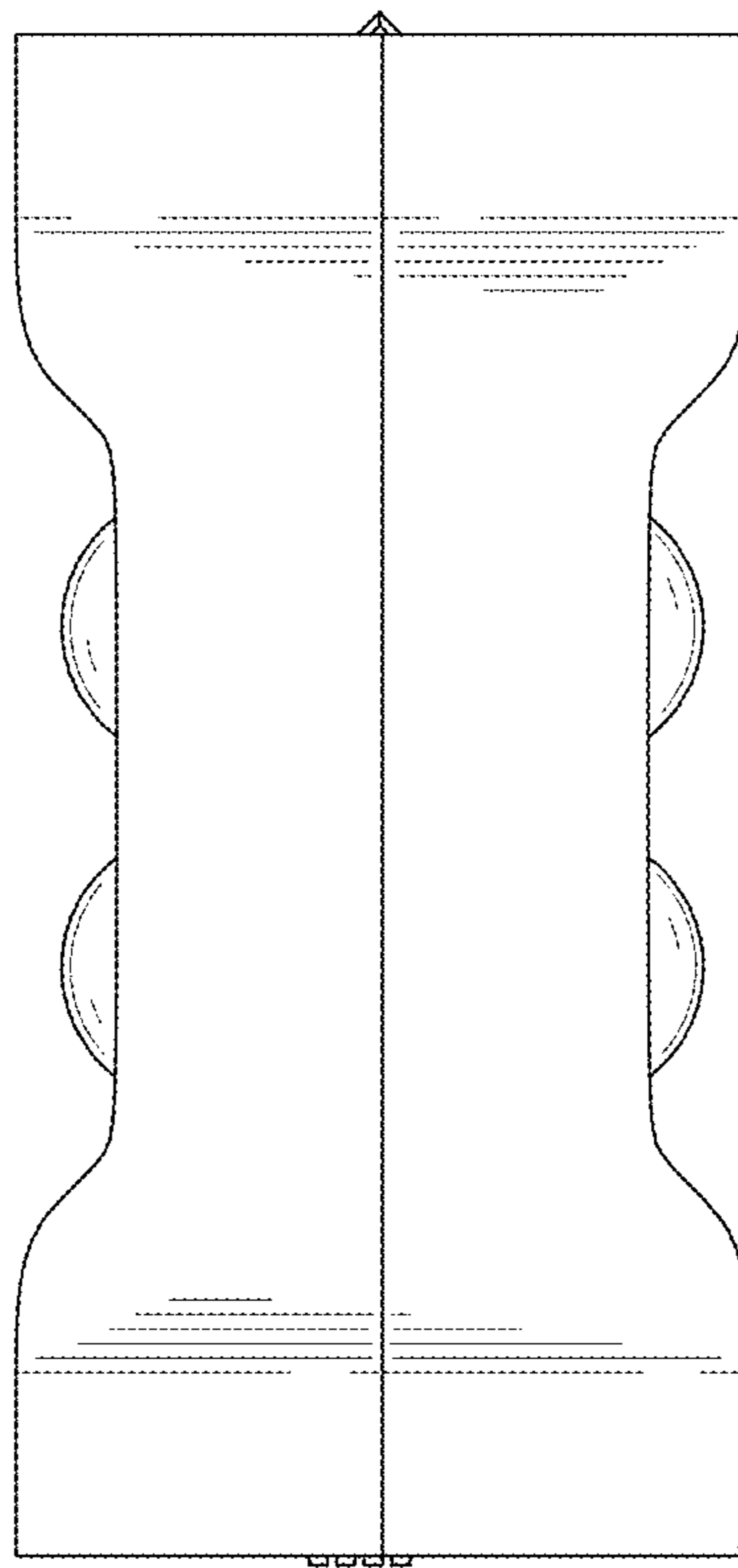


FIG. 6



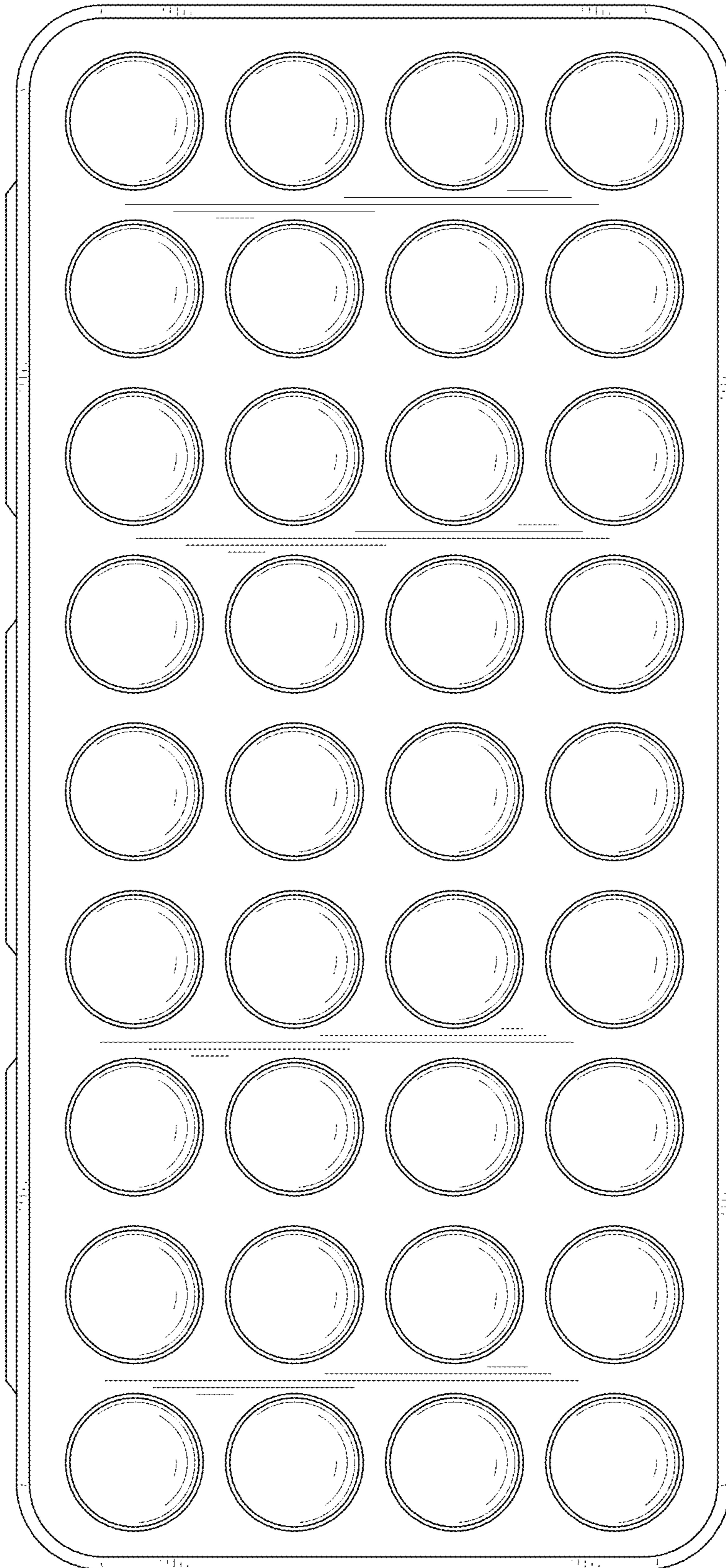


FIG. 7

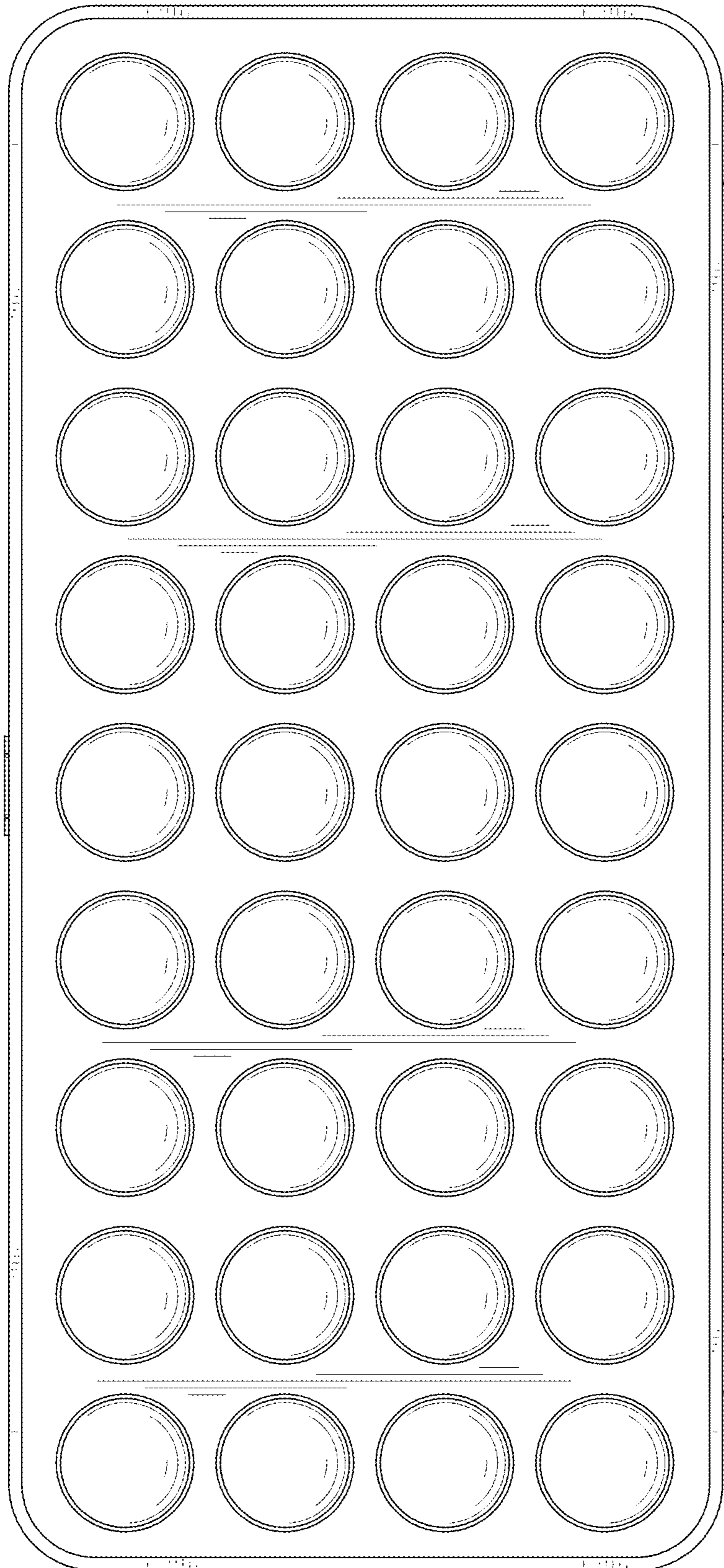


FIG. 8