



US00D965071S

(12) **United States Design Patent** (10) **Patent No.:** **US D965,071 S**  
**Buelens et al.** (45) **Date of Patent:** **\*\* Sep. 27, 2022**

(54) **TOY SET**

(71) Applicant: **SMART N.V.**, Kontich (BE)

(72) Inventors: **Tom Buelens**, Borgerhout (BE); **Emma Ribbens**, Antwerp (BE)

(73) Assignee: **SMART N.V.**, Kontich (BE)

(\*\*) Term: **15 Years**

(21) Appl. No.: **29/719,162**

(22) Filed: **Dec. 31, 2019**

(51) **LOC (13) Cl.** ..... **21-01**

(52) **U.S. Cl.**  
USPC ..... **D21/468**

(58) **Field of Classification Search**  
USPC ..... D21/405, 440, 468, 475, 476; D30/160;  
446/227, 228

(Continued)

(56) **References Cited**

U.S. PATENT DOCUMENTS

D374,692 S \* 10/1996 Stroud ..... D21/476  
D403,719 S \* 1/1999 Smith, II ..... A63H 33/006  
D21/476

(Continued)

*Primary Examiner* — Mehri F Bajoul

(74) *Attorney, Agent, or Firm* — Hodgson Russ LLP

(57) **CLAIM**

The ornamental design for a toy set, as shown and described.

**DESCRIPTION**

FIG. 1 is a top perspective view of a toy set, comprising eight pieces, showing our new design;  
FIG. 2 is an exploded top perspective view of a combination of two pieces of the toy set of FIG. 1, shown separately for ease of illustration;

FIG. 3 is an exploded top perspective view of another combination of two pieces of the toy set of FIG. 1, shown separately for ease of illustration;  
FIG. 4 is an exploded top perspective view of another combination of two pieces of the toy set of FIG. 1, shown separately for ease of illustration;  
FIG. 5 is an exploded top perspective view of another combination of two pieces of the toy set of FIG. 1, shown separately for ease of illustration;  
FIG. 6 is an elevational view of a first side of the toy set of FIG. 1;  
FIG. 7 is an elevational view of a second side of the toy set of FIG. 1;  
FIG. 8 is an elevational view of a third side of the toy set of FIG. 1;  
FIG. 9 is an elevational view of a fourth side of the toy set of FIG. 1;  
FIG. 10 is a bottom plan view of the toy set of FIG. 1;  
FIG. 11 is a top plan view of the toy set of FIG. 1;  
FIG. 12 is a top perspective view of a first piece of the toy set, shown separately for ease of illustration;  
FIG. 13 is a right side elevation view thereof;  
FIG. 14 is a front elevation view thereof;  
FIG. 15 is a left side elevation view thereof;  
FIG. 16 is a rear elevation view thereof;  
FIG. 17 is a top plan view thereof;  
FIG. 18 is a bottom plan view thereof;  
FIG. 19 is a top perspective view of a second piece of the toy set, shown separately for ease of illustration;  
FIG. 20 is a right side elevation view thereof;  
FIG. 21 is a front elevation view thereof;  
FIG. 22 is a left side elevation view thereof;  
FIG. 23 is a rear elevation view thereof;  
FIG. 24 is a top plan view thereof;  
FIG. 25 is a bottom plan view thereof;  
FIG. 26 is a top perspective view of a third piece of the toy set, shown separately for ease of illustration;  
FIG. 27 is a right side elevation view thereof;  
FIG. 28 is a front elevation view thereof;  
FIG. 29 is a left side elevation view thereof;  
FIG. 30 is rear elevation view thereof;  
FIG. 31 is a top plan view thereof;  
FIG. 32 is a bottom plan view thereof;

(Continued)

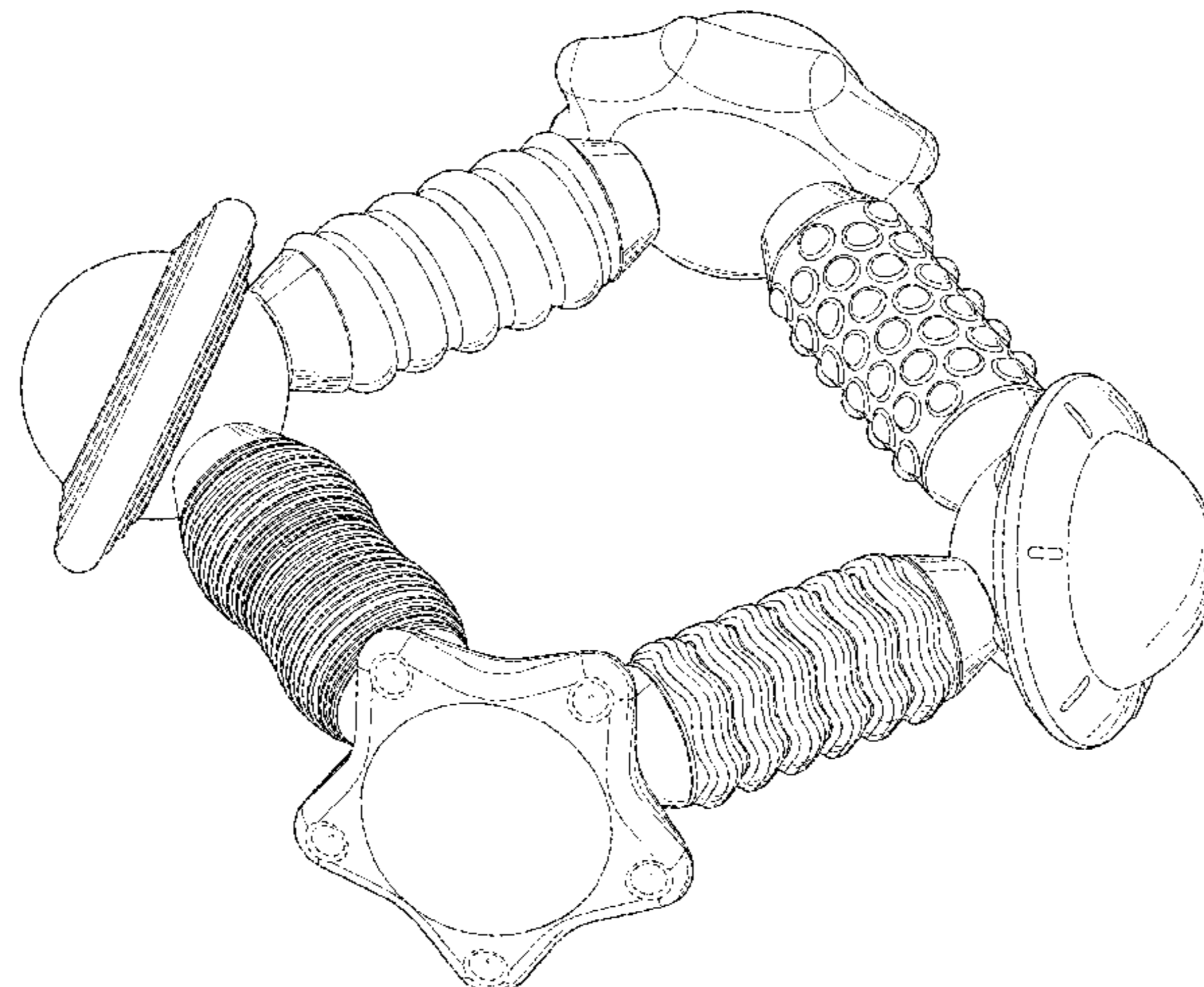


FIG. 33 is a top perspective view of a fourth piece of the toy set, shown separately for ease of illustration;  
 FIG. 34 is a front elevation view thereof;  
 FIG. 35 is a right side elevation view thereof;  
 FIG. 36 is a rear elevation view thereof;  
 FIG. 37 is a left side elevation view thereof;  
 FIG. 38 is a top plan view thereof;  
 FIG. 39 is a bottom plan view thereof;  
 FIG. 40 is a top perspective view of a fifth piece of the toy set, shown separately for ease of illustration;  
 FIG. 41 is a right side elevation view thereof;  
 FIG. 42 is a front elevation view thereof;  
 FIG. 43 is a left side elevation view thereof;  
 FIG. 44 is a rear elevation view thereof;  
 FIG. 45 is a bottom plan view thereof;  
 FIG. 46 is a top plan view thereof;  
 FIG. 47 is a top perspective view of a sixth piece of the toy set, shown separately for ease of illustration;  
 FIG. 48 is a right side elevation view thereof;  
 FIG. 49 is a front elevation view thereof;  
 FIG. 50 is a left side elevation view thereof;  
 FIG. 51 is a rear elevation view thereof;  
 FIG. 52 is a bottom plan view thereof;  
 FIG. 53 is a top plan view thereof;  
 FIG. 54 is a top perspective view of a seventh piece of the toy set, shown separately for ease of illustration;  
 FIG. 55 is a right side elevation view thereof;  
 FIG. 56 is a front elevation view thereof;  
 FIG. 57 is a left side elevation view thereof;  
 FIG. 58 is a rear elevation view thereof;  
 FIG. 59 is a bottom plan view thereof;  
 FIG. 60 is a top plan view thereof;  
 FIG. 61 is a top perspective view of an eighth piece of the toy set, shown separately for ease of illustration;  
 FIG. 62 is a left side elevation view thereof;  
 FIG. 63 is a front elevation view thereof;  
 FIG. 64 is a right side elevation view thereof;  
 FIG. 65 is a rear elevation view thereof;  
 FIG. 66 is a bottom plan view thereof; and,  
 FIG. 67 is a top plan view thereof.

The broken lines in the drawings depict portions of the toy set that form no part of the claimed design.

**1 Claim, 43 Drawing Sheets**

(58) **Field of Classification Search**

CPC .... A63H 33/006; A01K 15/02; A01K 15/027;  
 A01K 15/025; A01K 15/026

See application file for complete search history.

(56)

**References Cited**

U.S. PATENT DOCUMENTS

D468,778	S	*	1/2003	Manville .....	D21/489
D501,896	S	*	2/2005	Manville .....	D21/490
D513,816	S	*	1/2006	Crane .....	A01K 15/025 D30/160
D637,816	S	*	5/2011	Nitkin .....	D3/318
D703,765	S	*	4/2014	Montes .....	D21/398
D786,363	S	*	5/2017	Andren .....	D21/476
D821,663	S	*	6/2018	Ting .....	D30/160
D825,116	S	*	8/2018	Wills .....	D30/160
D859,533	S	*	9/2019	Landi, Jr. ....	D21/398
D864,495	S	*	10/2019	Katav .....	D30/121
D872,387	S	*	1/2020	Crane .....	D30/160
D884,296	S	*	5/2020	Gick .....	D30/160
D887,094	S	*	6/2020	Ruan .....	D30/160
D891,713	S	*	7/2020	Wilhelm .....	D30/160
D901,792	S	*	11/2020	Wu .....	D30/160
D908,294	S	*	1/2021	Liang .....	D30/160
D908,985	S	*	1/2021	Yeung .....	D30/160
D909,492	S	*	2/2021	Brown .....	D21/400
D915,007	S	*	3/2021	Chen .....	D30/160
D922,699	S	*	6/2021	Ruan .....	D30/160
D925,136	S	*	7/2021	Lin .....	D30/160
D928,889	S	*	8/2021	Hochstrasser ..	D21/468
D929,678	S	*	8/2021	Huang .....	D30/160
D930,282	S	*	9/2021	Shrestha .....	D30/160
D930,922	S	*	9/2021	Ruan .....	D30/160
D931,981	S	*	9/2021	Li .....	D23/215
D933,753	S	*	10/2021	Metz .....	D21/468
D937,503	S	*	11/2021	Wang .....	D30/160
D939,635	S	*	12/2021	Chen .....	D21/468

\* cited by examiner

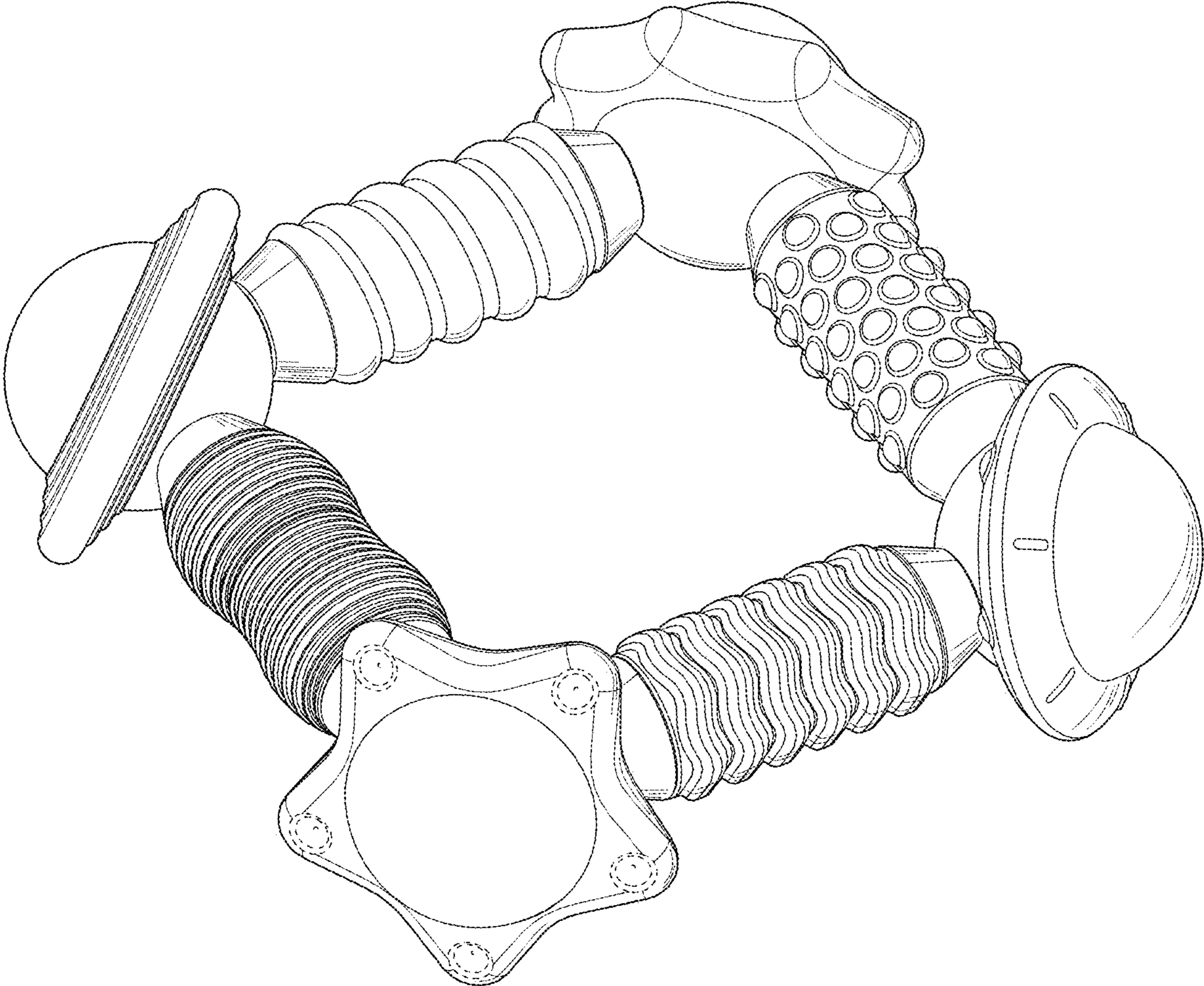
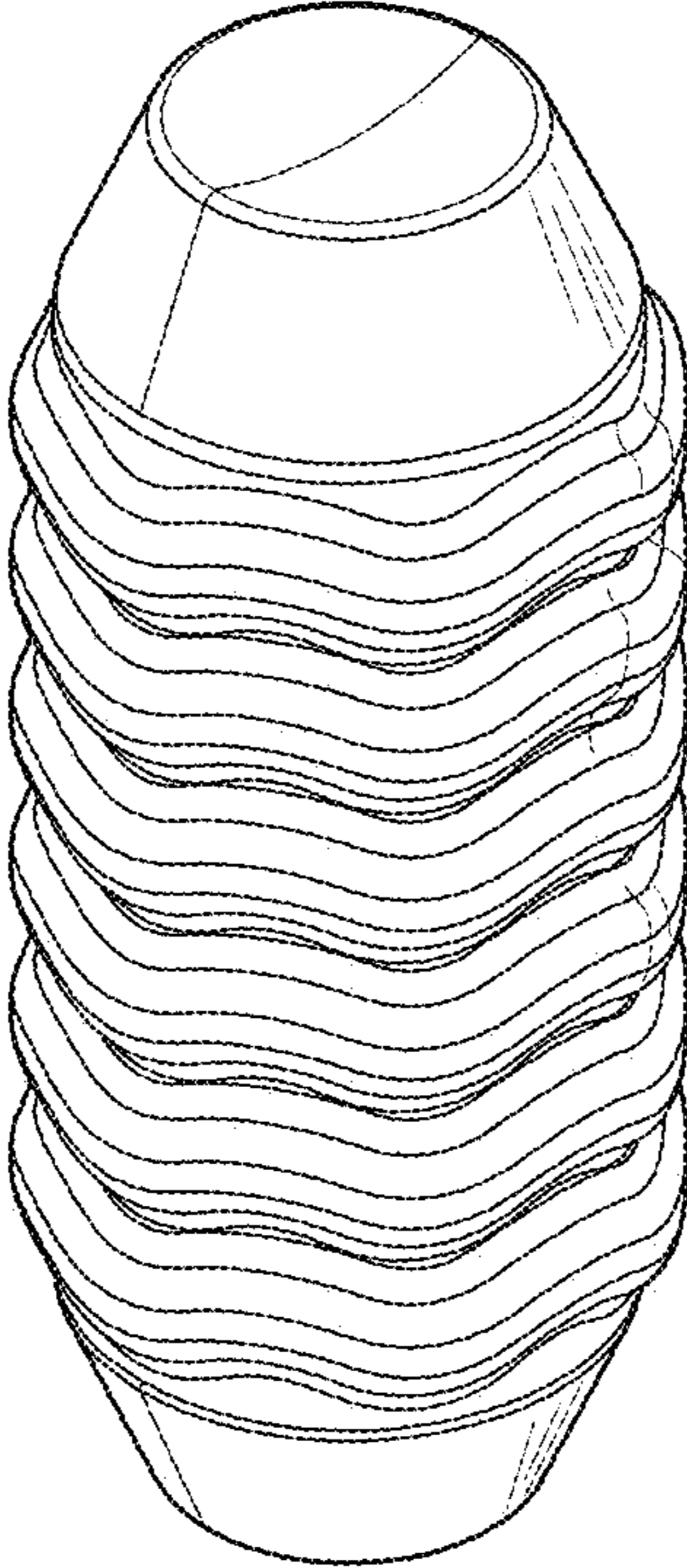
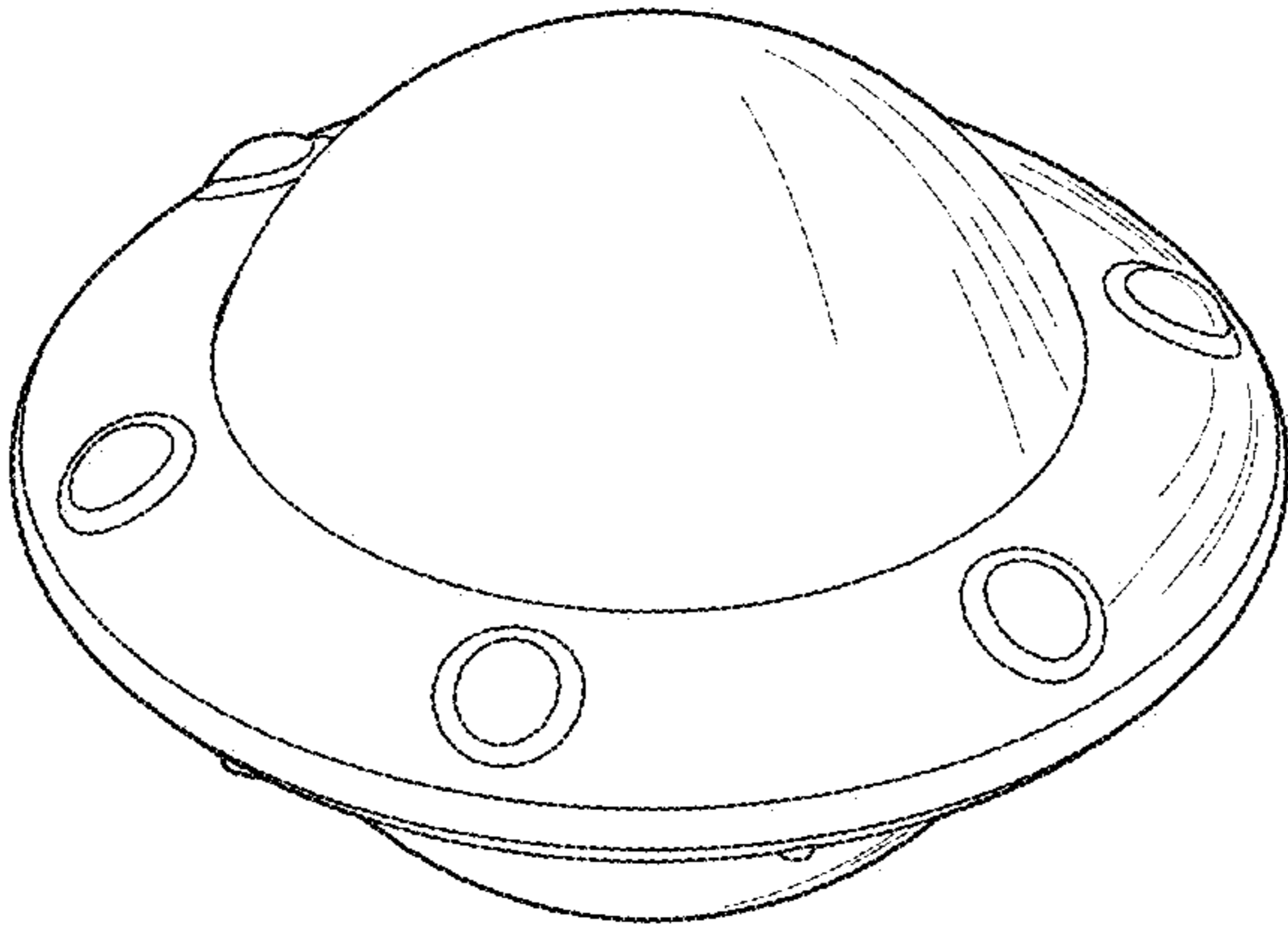
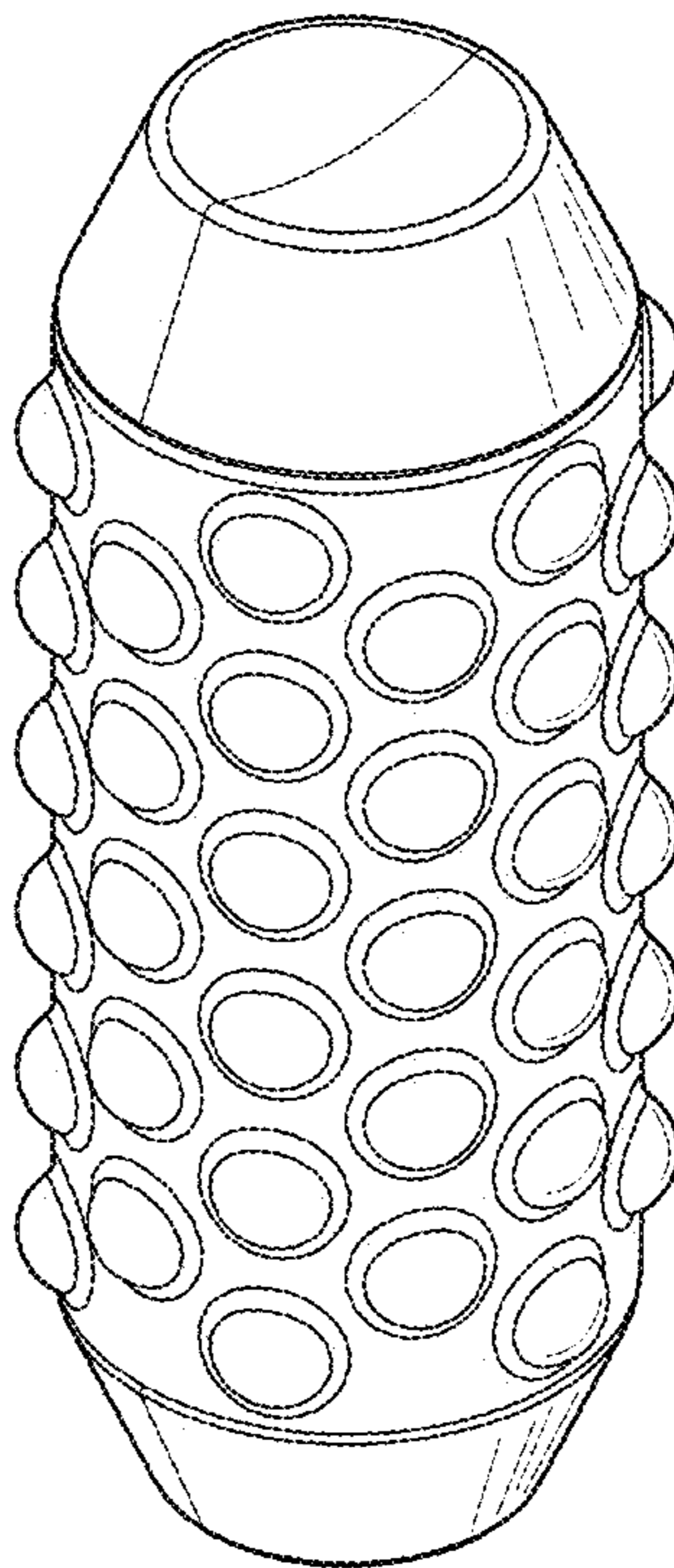
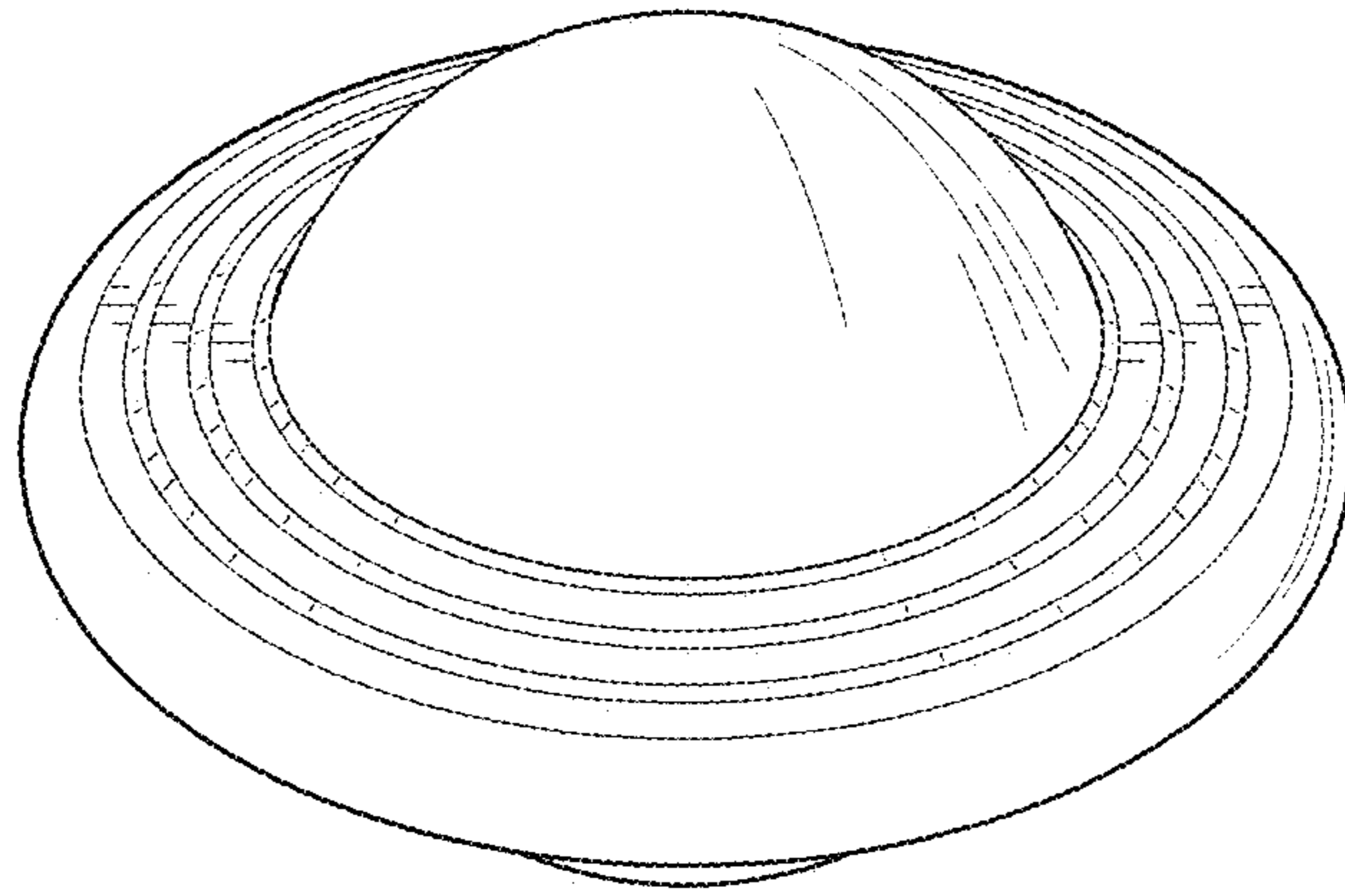


FIG. 1



**FIG. 2**



**FIG. 3**

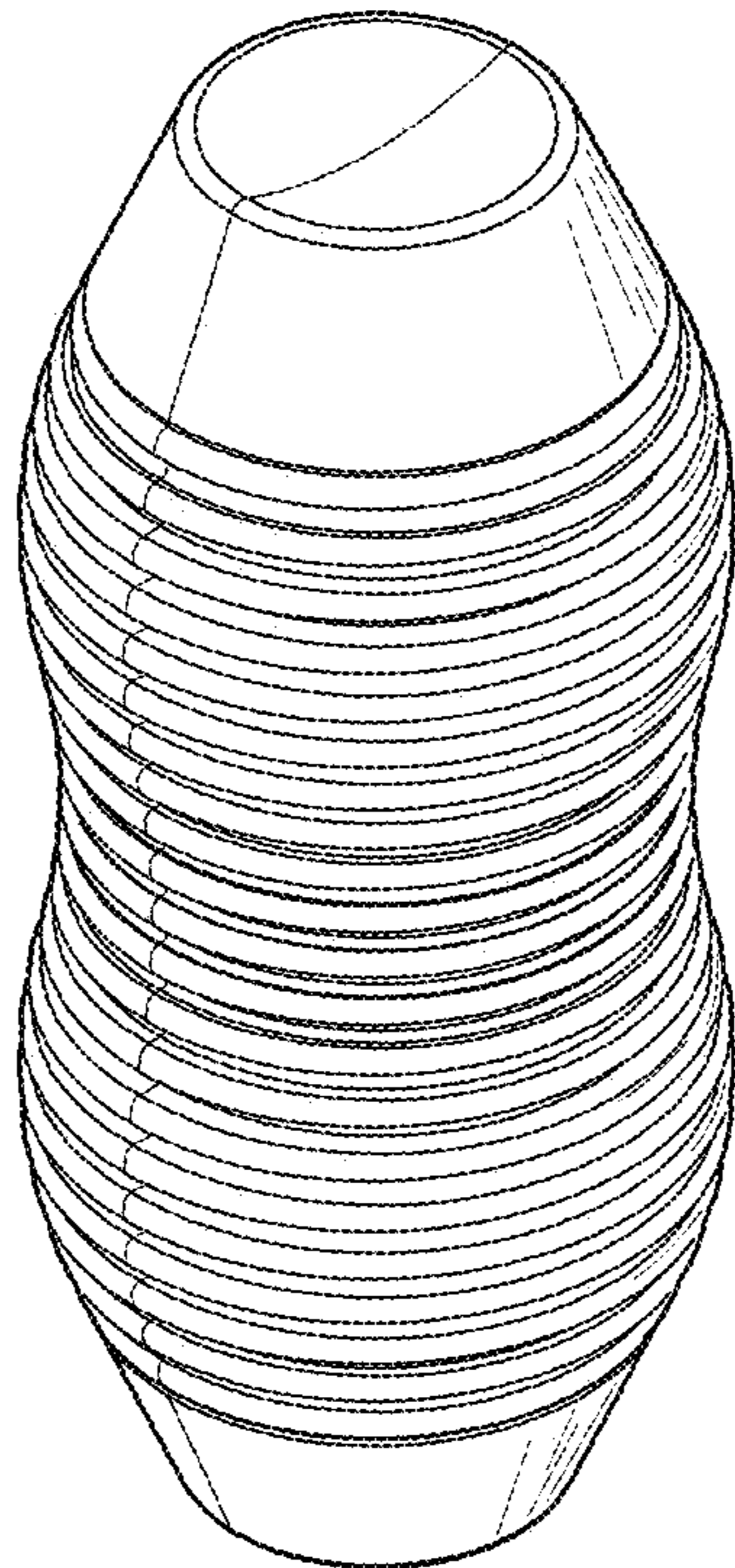
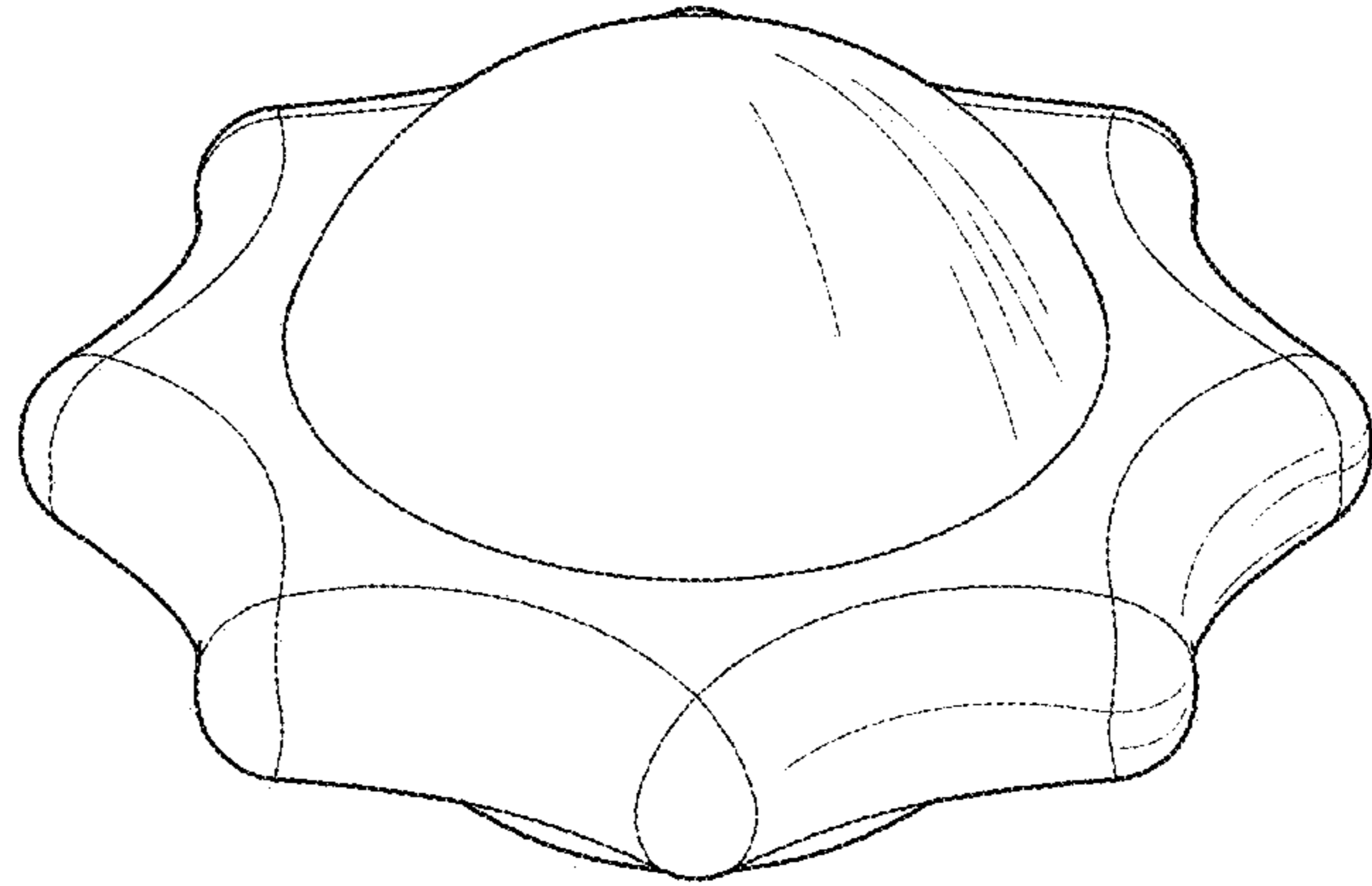
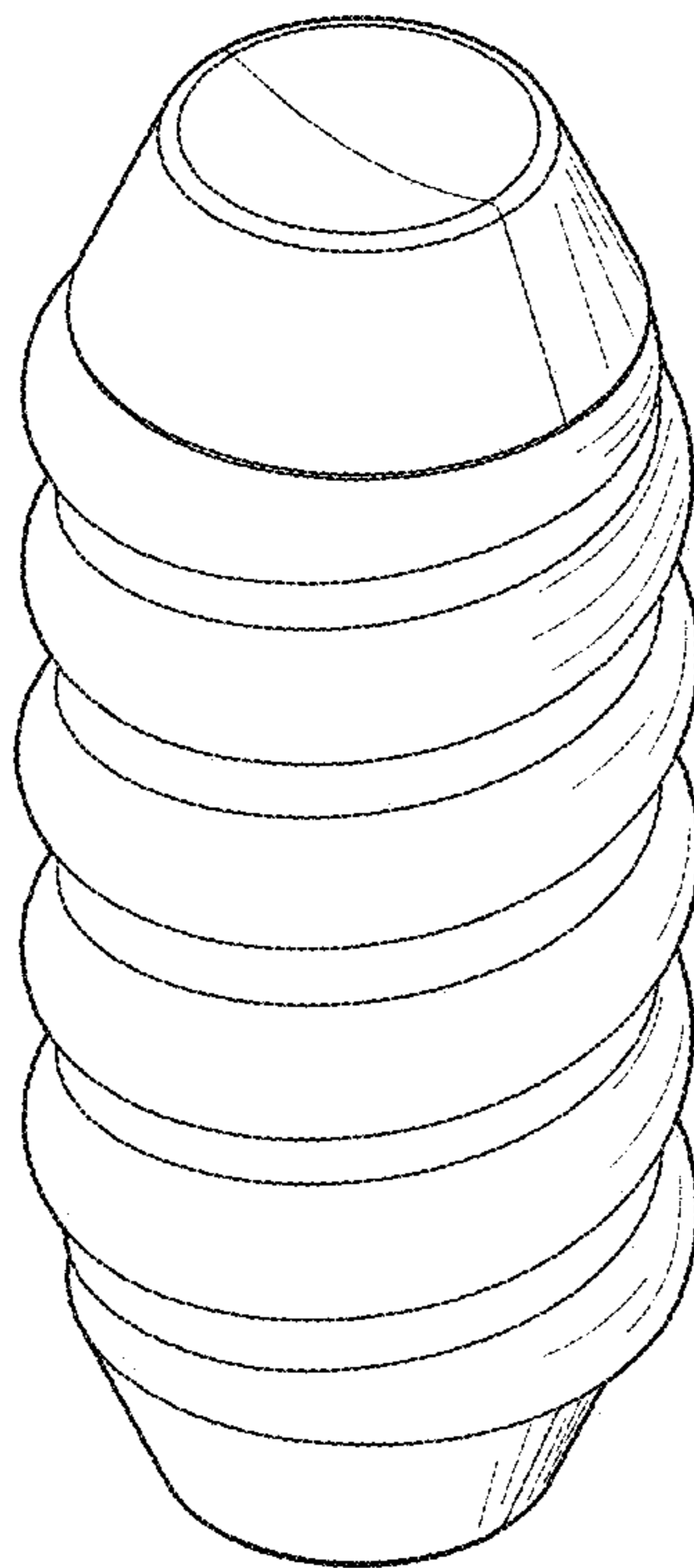
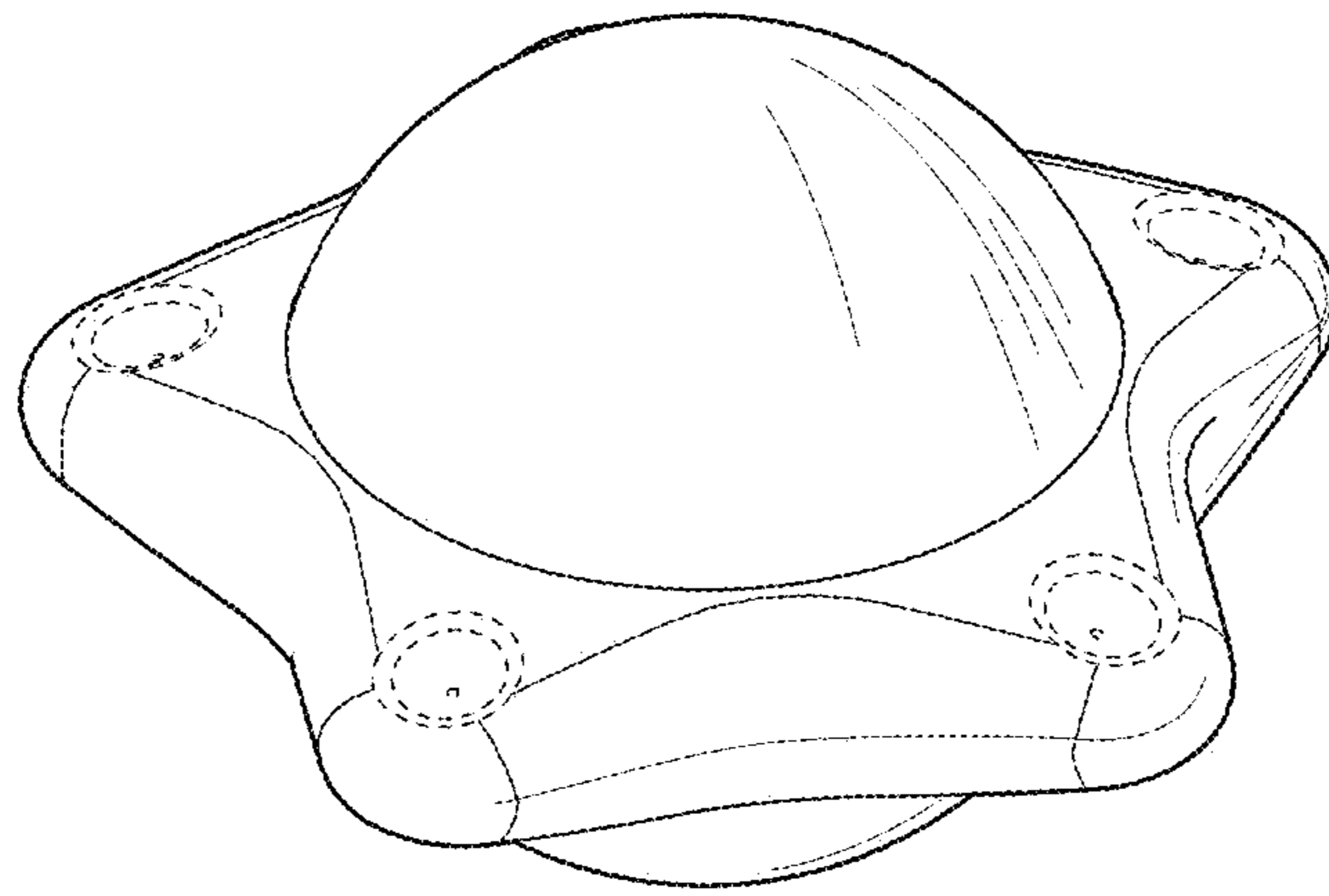


FIG. 4



**FIG. 5**

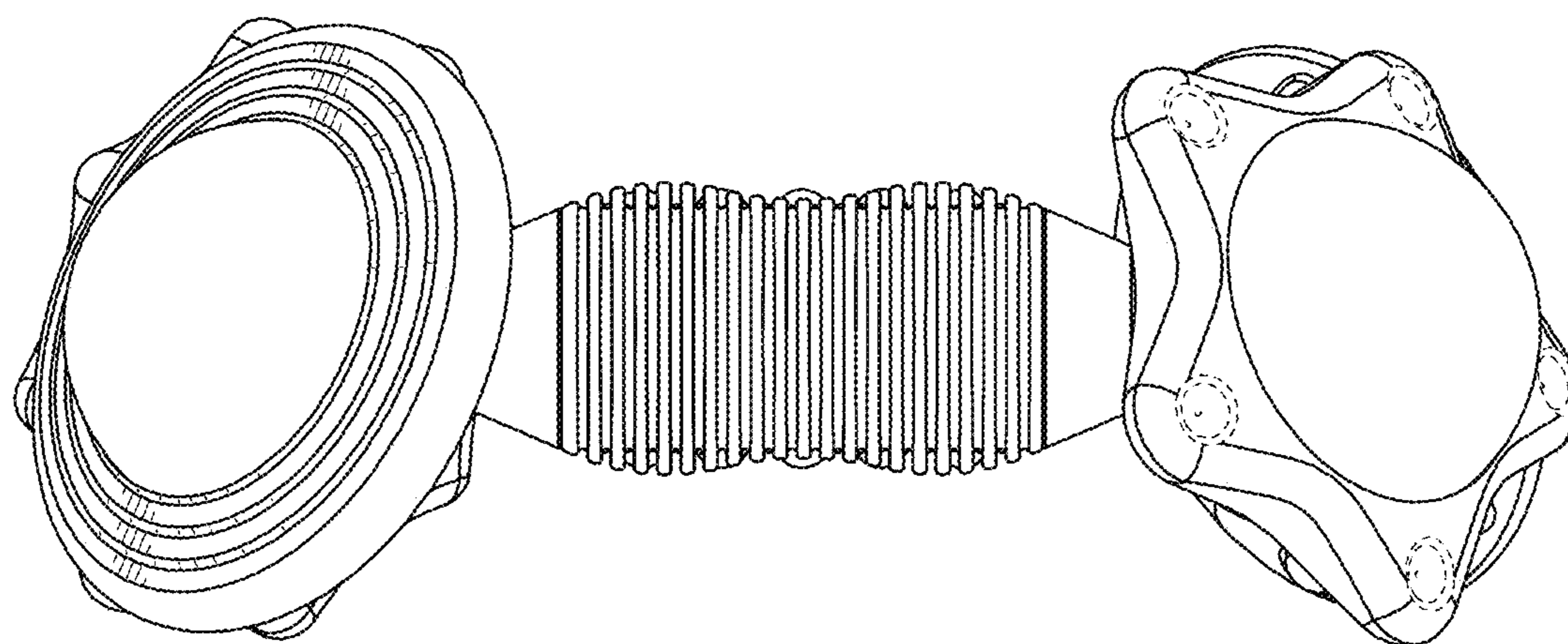


FIG. 6



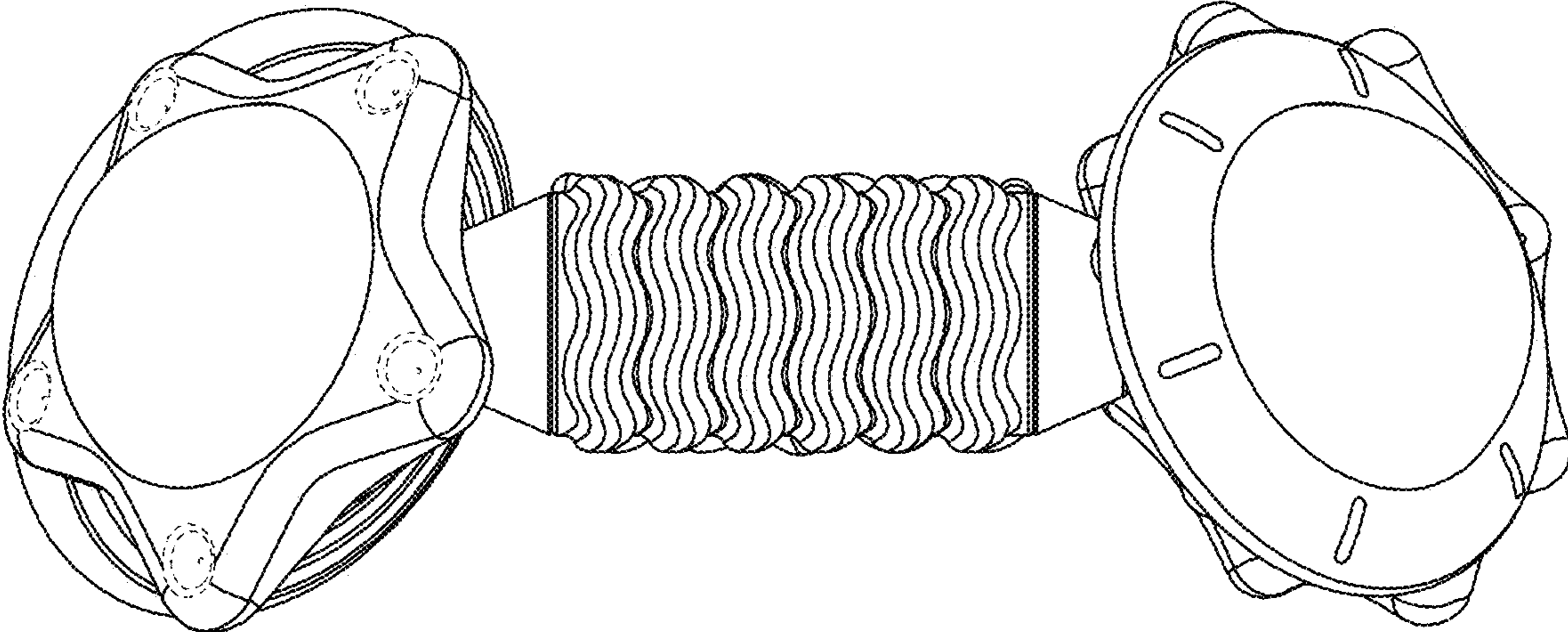


FIG. 7

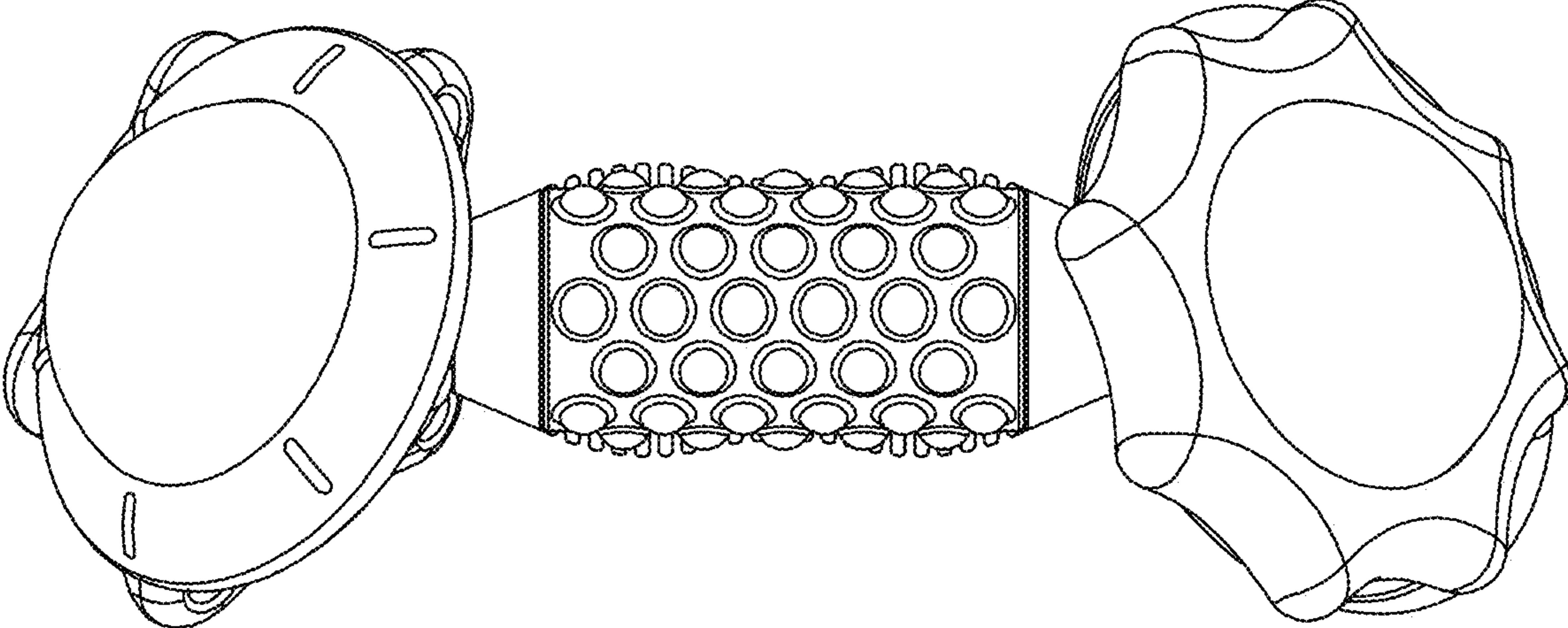


FIG. 8

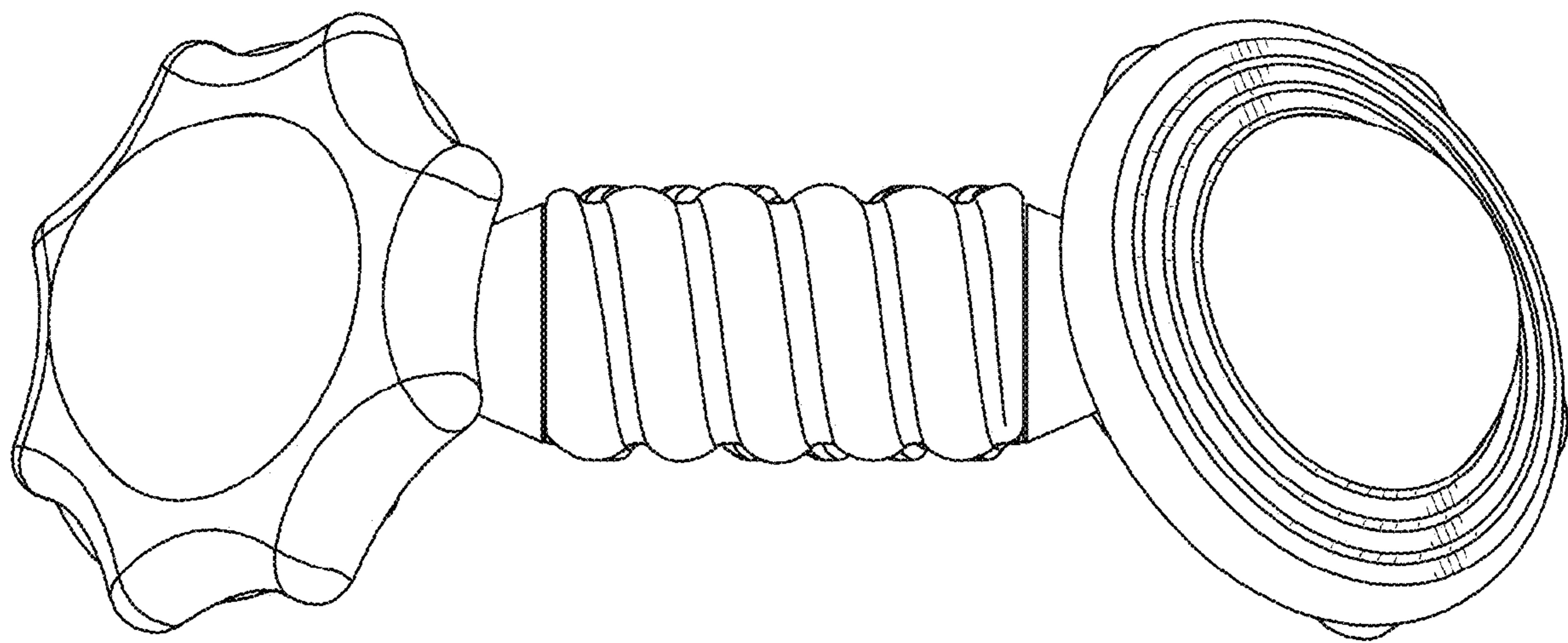


FIG. 9

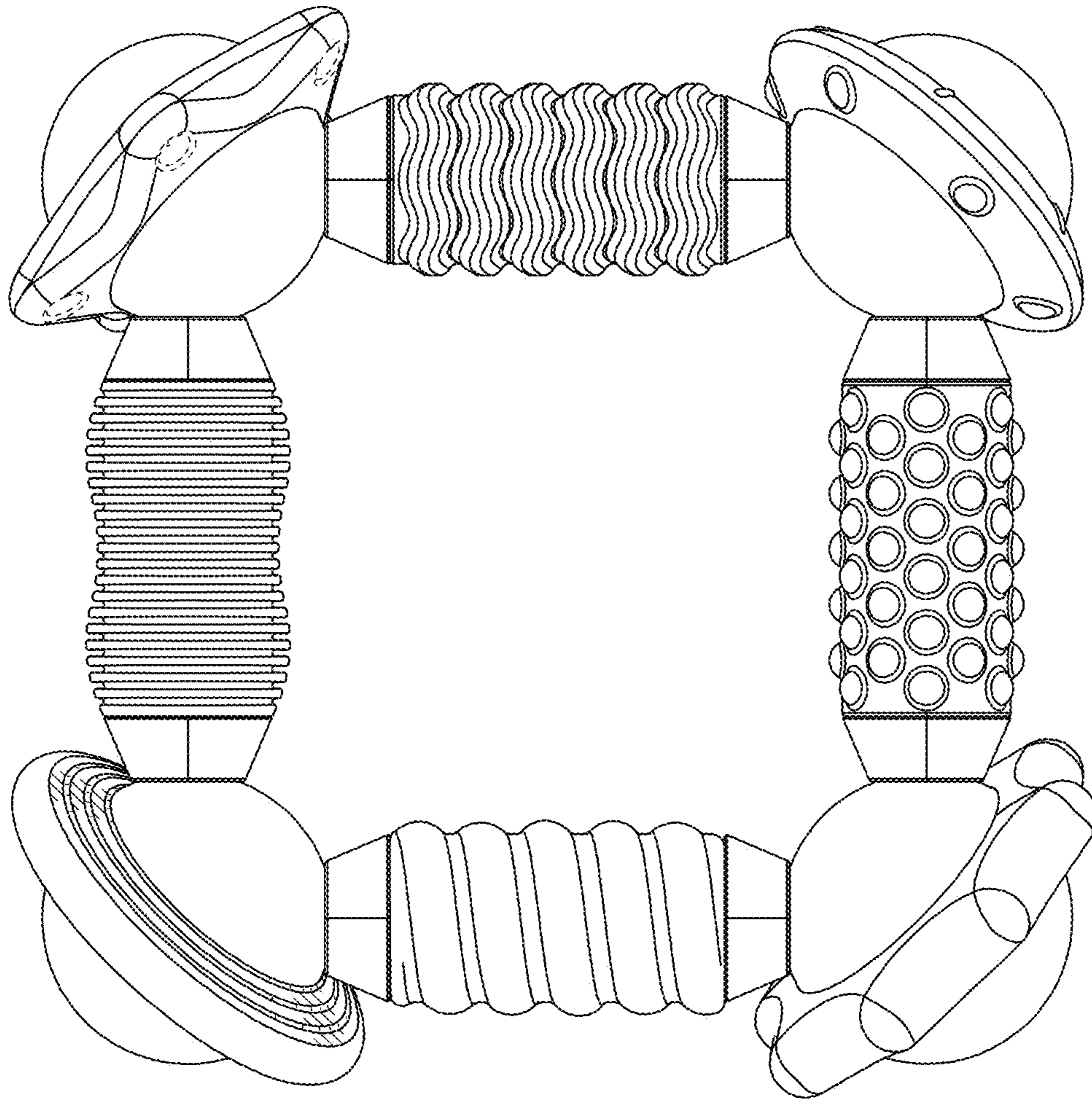


FIG. 10

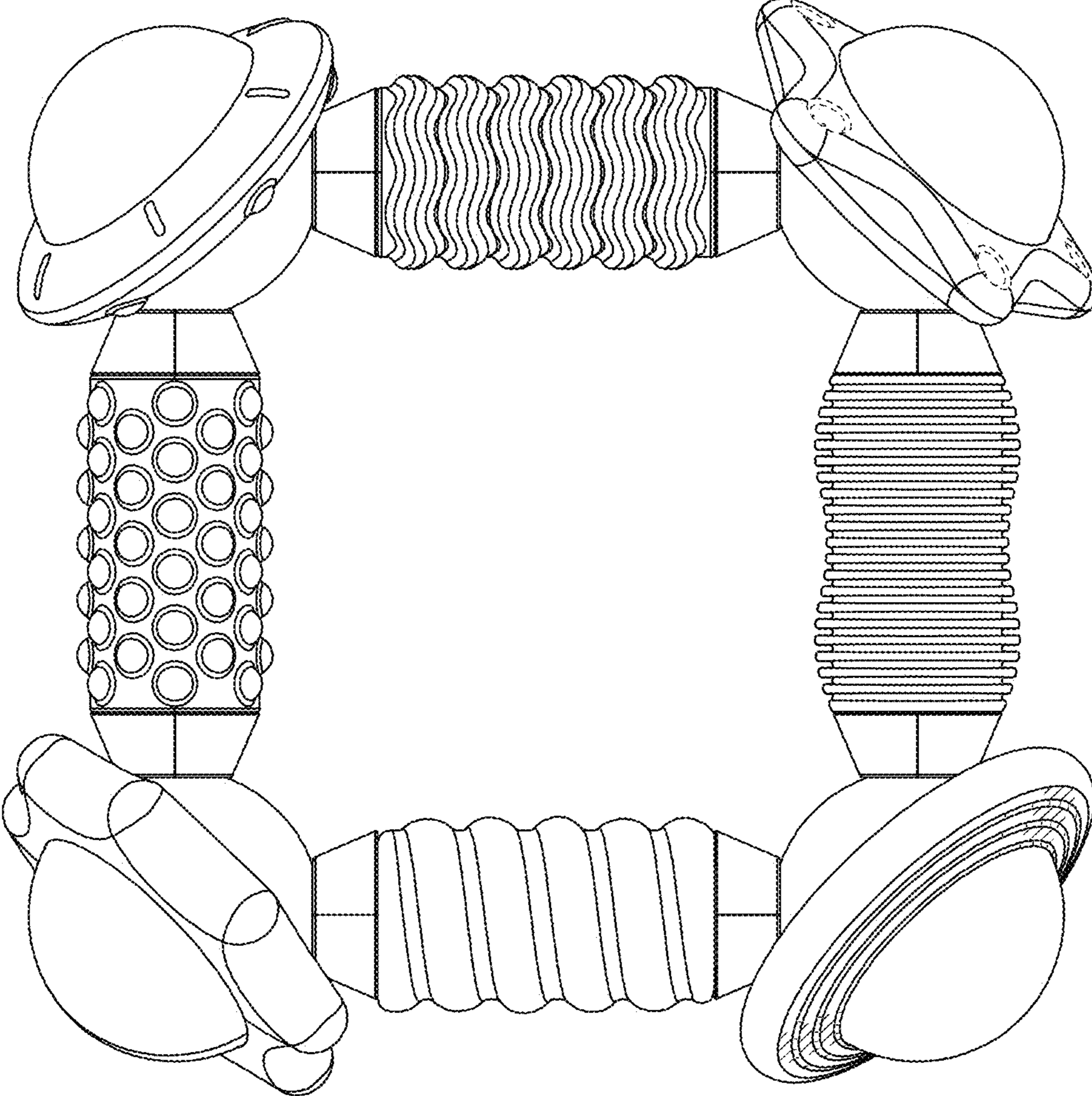


FIG. 11

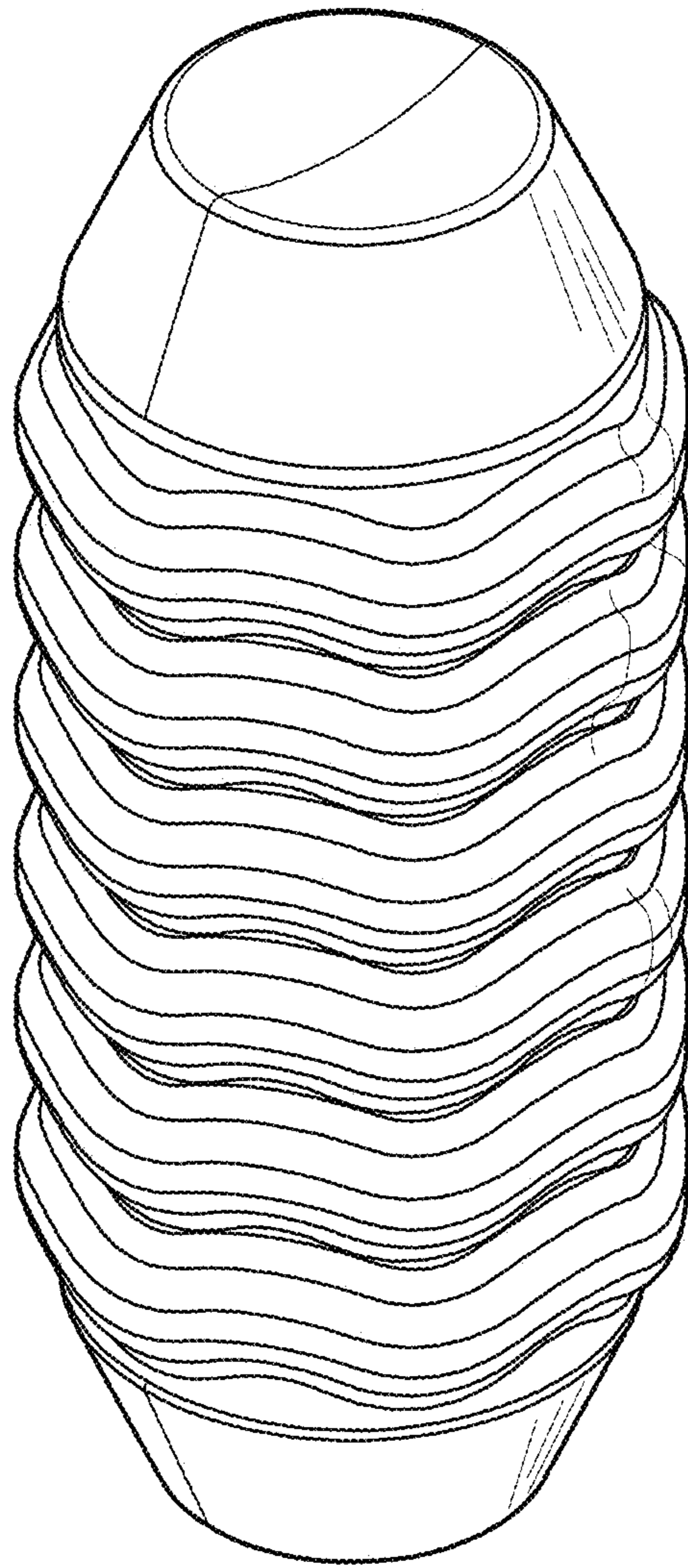


FIG. 12

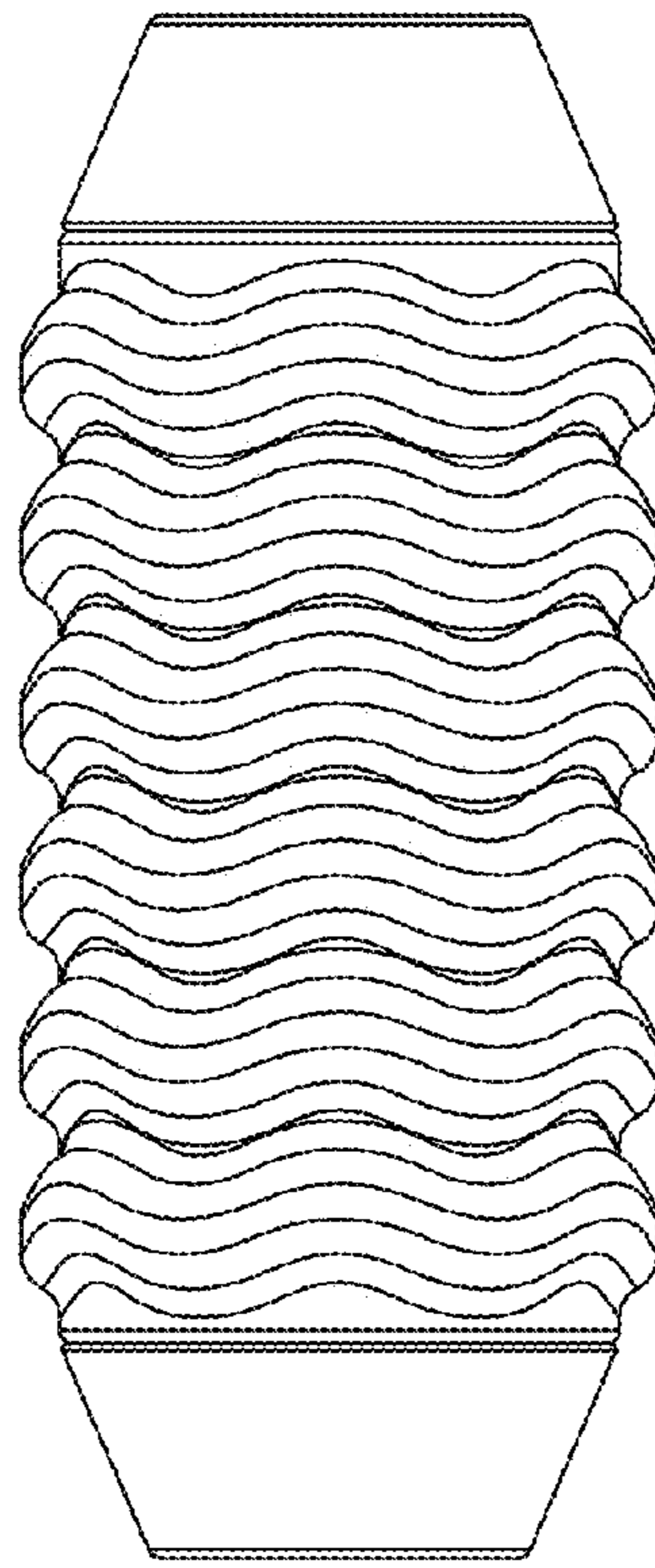


FIG. 13

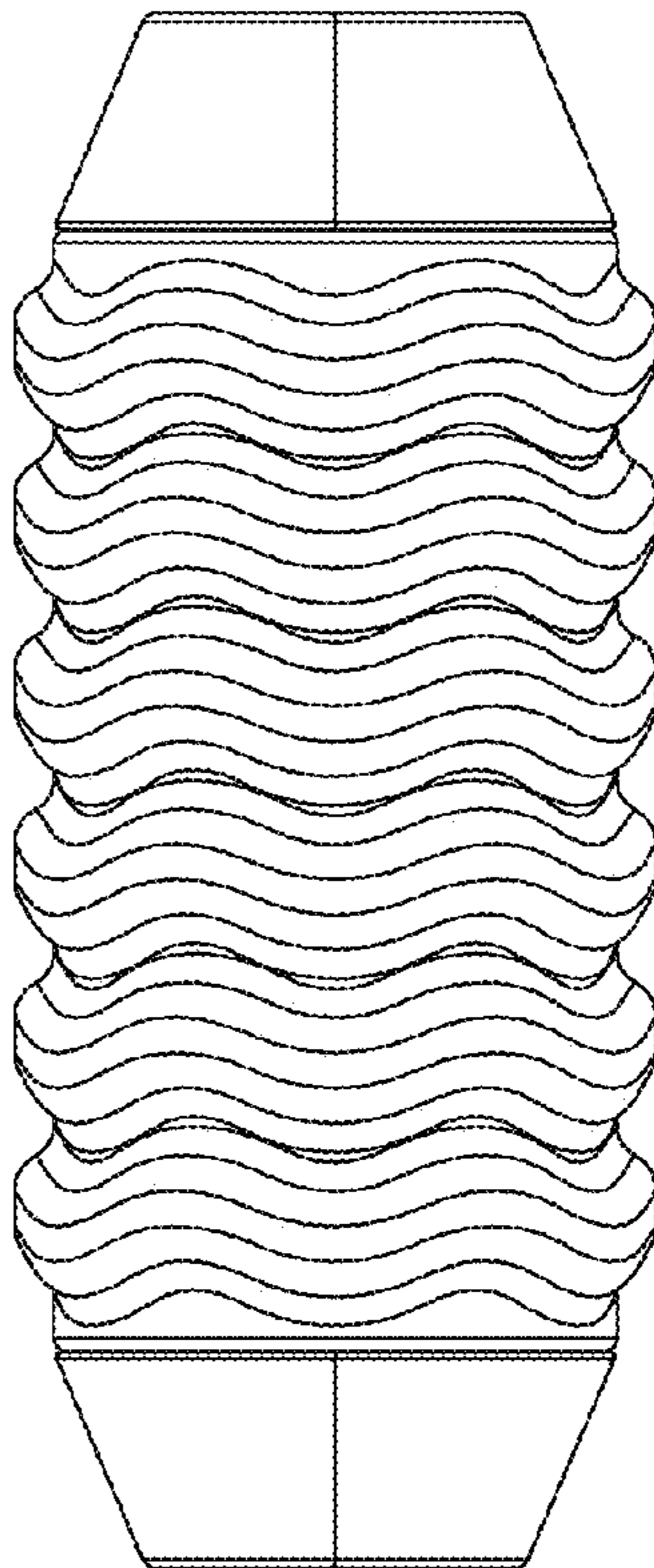


FIG. 14

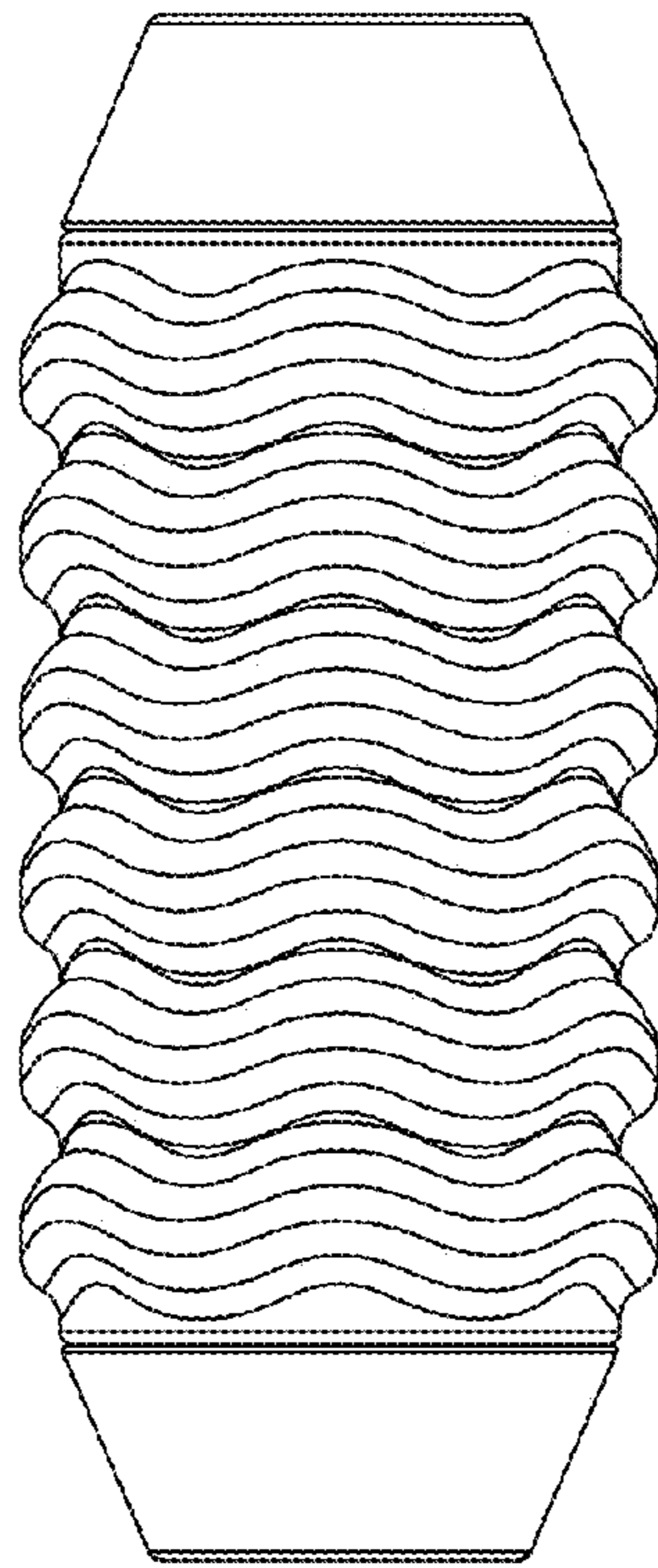


FIG. 15

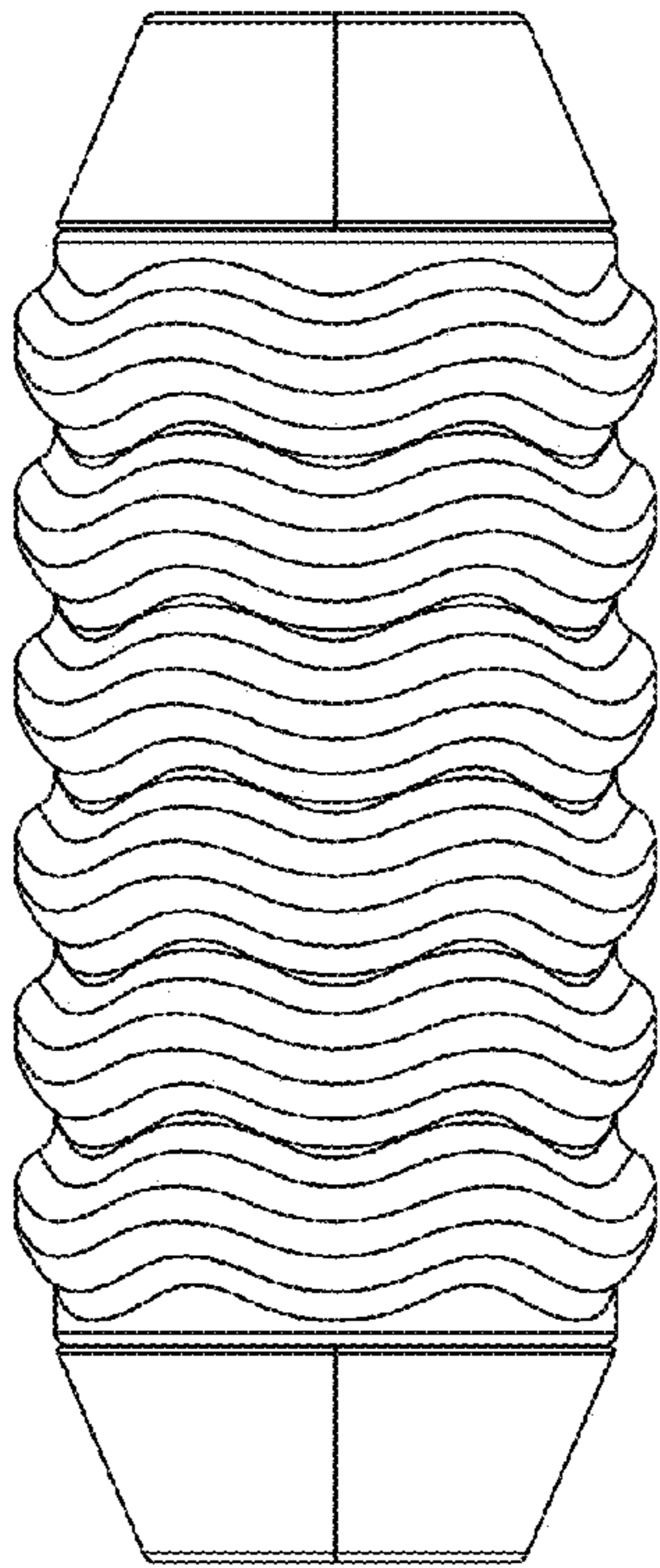


FIG. 16



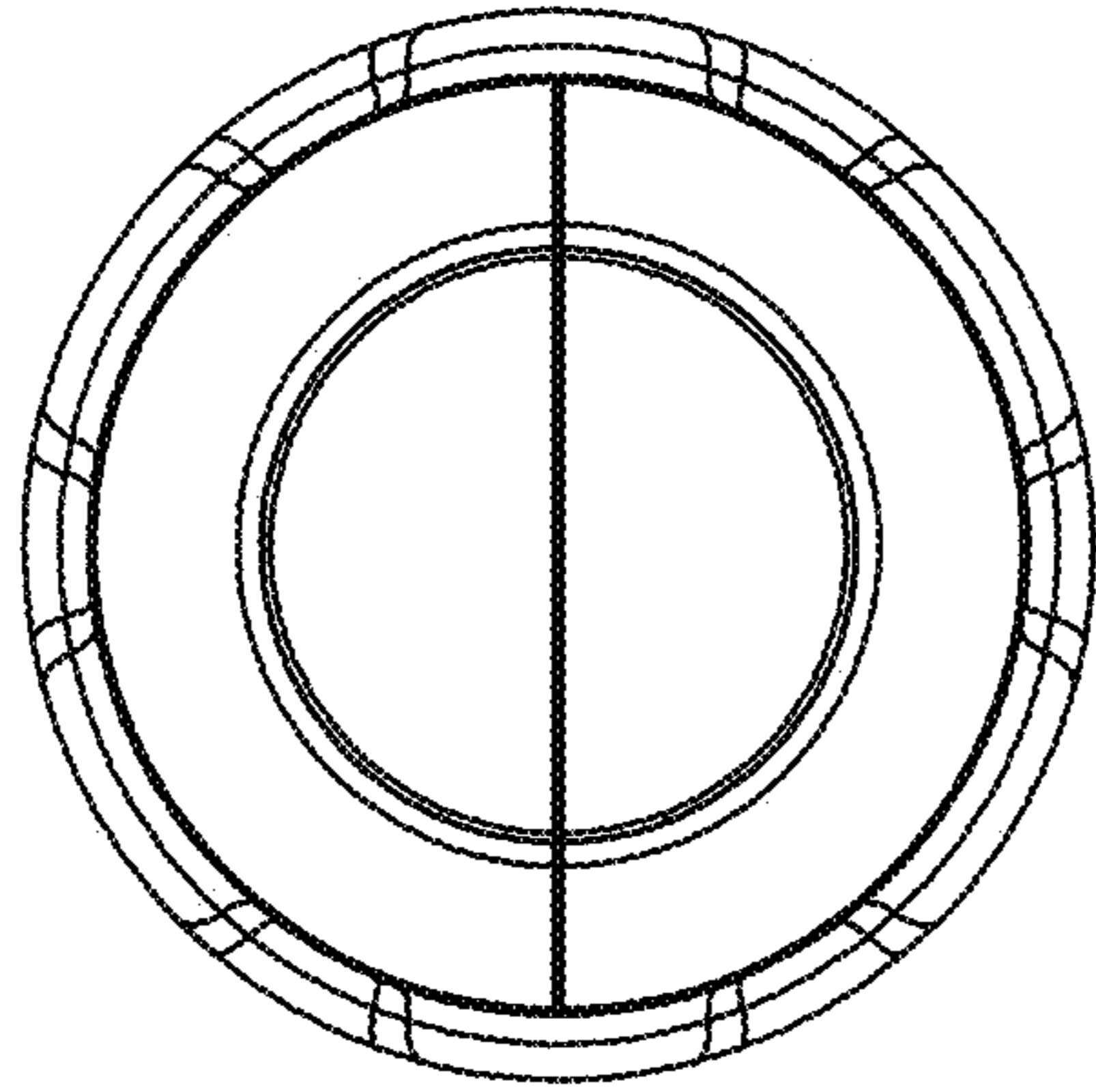


FIG. 17

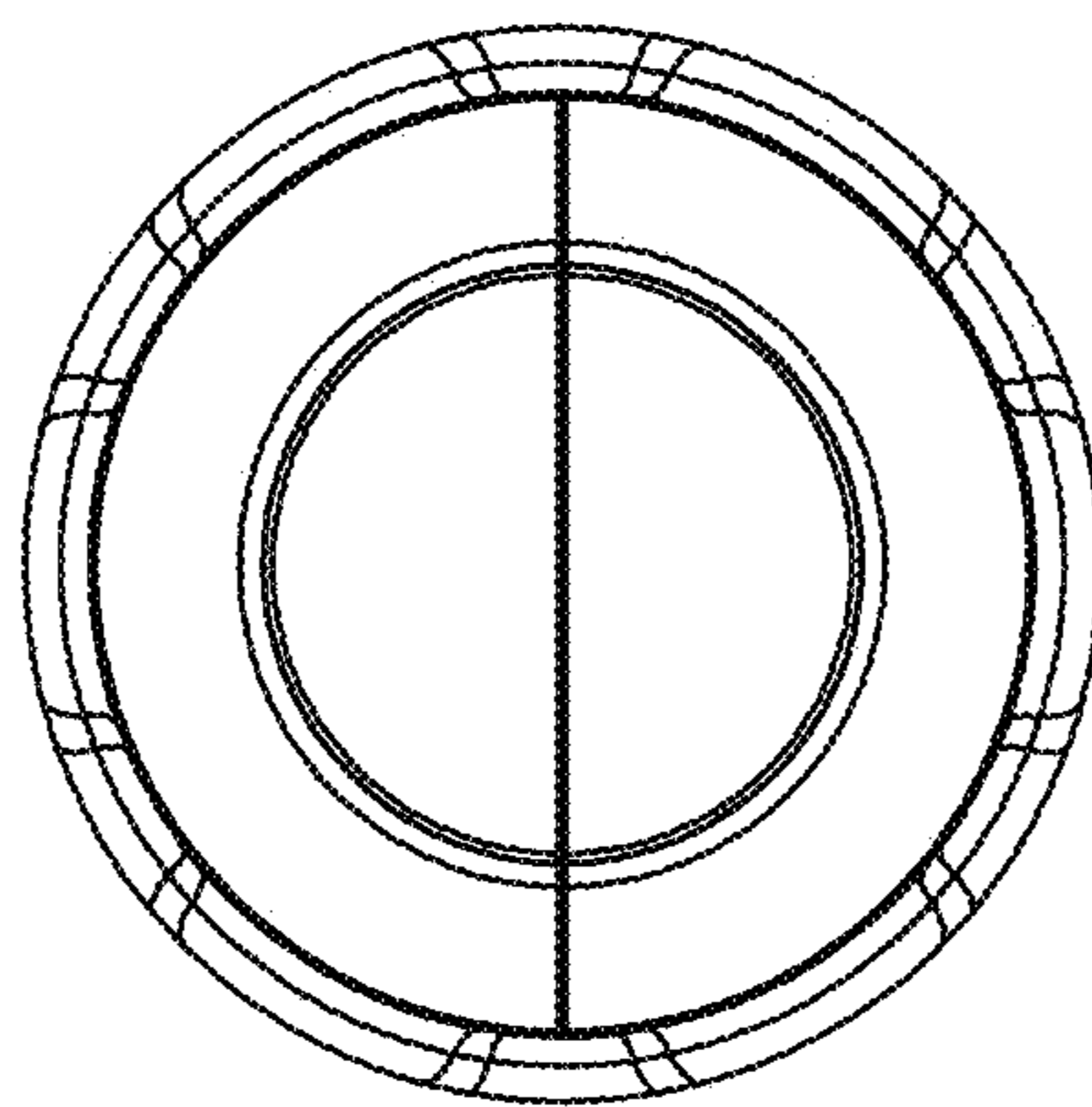


FIG. 18

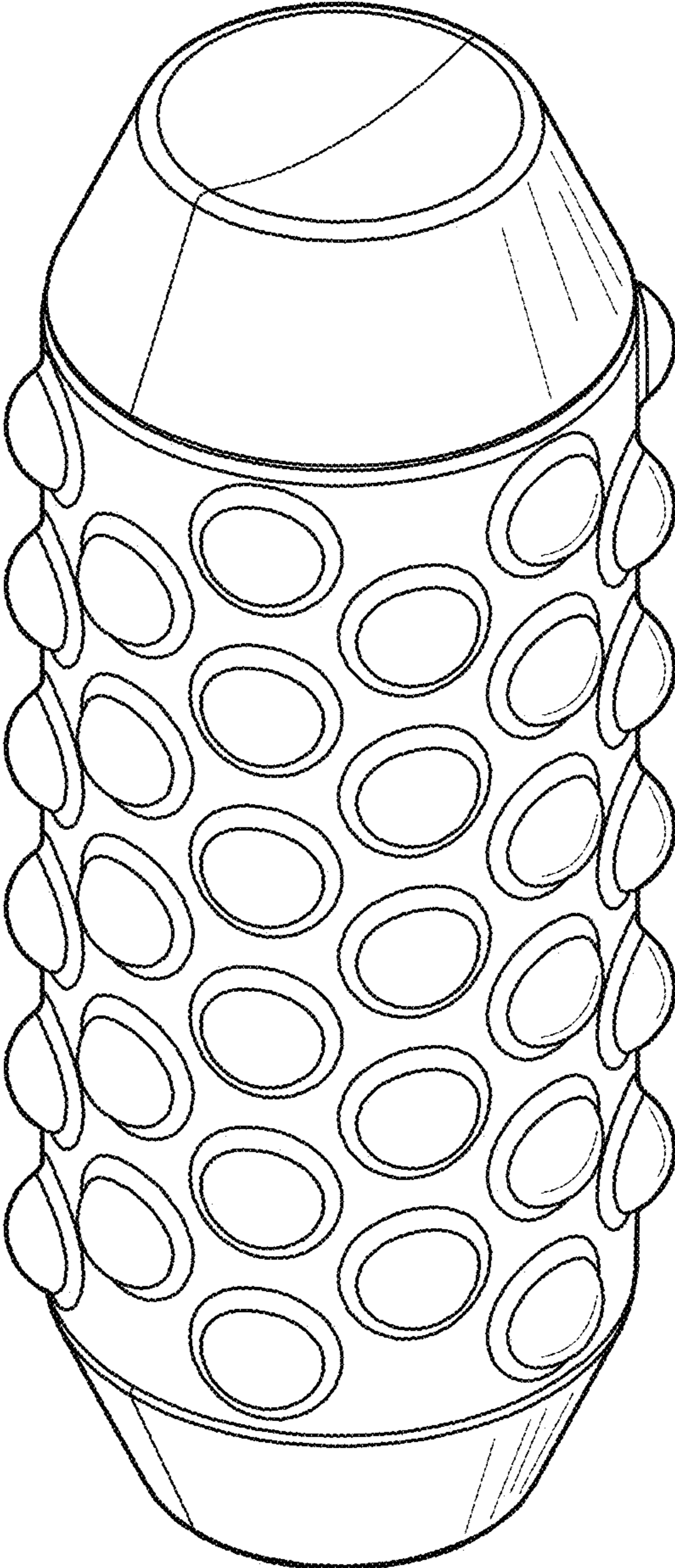


FIG. 19

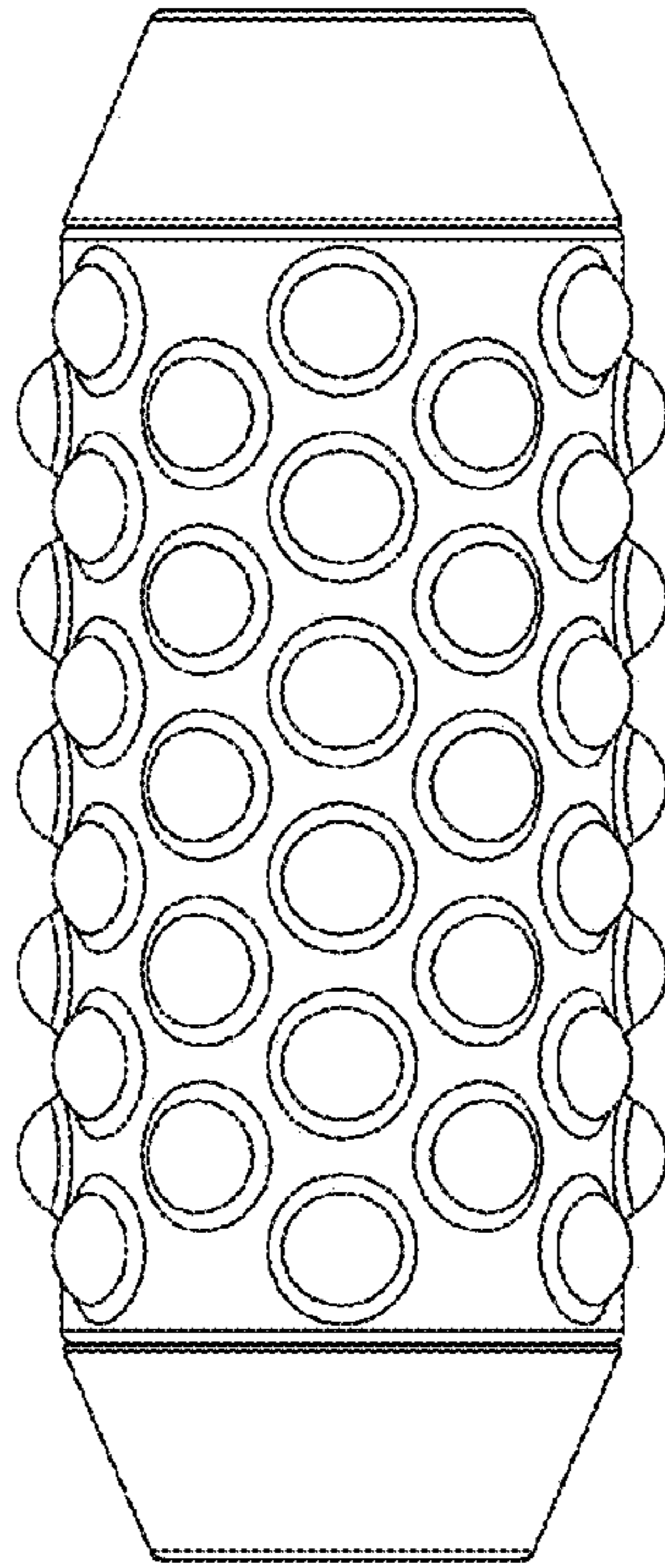


FIG. 20

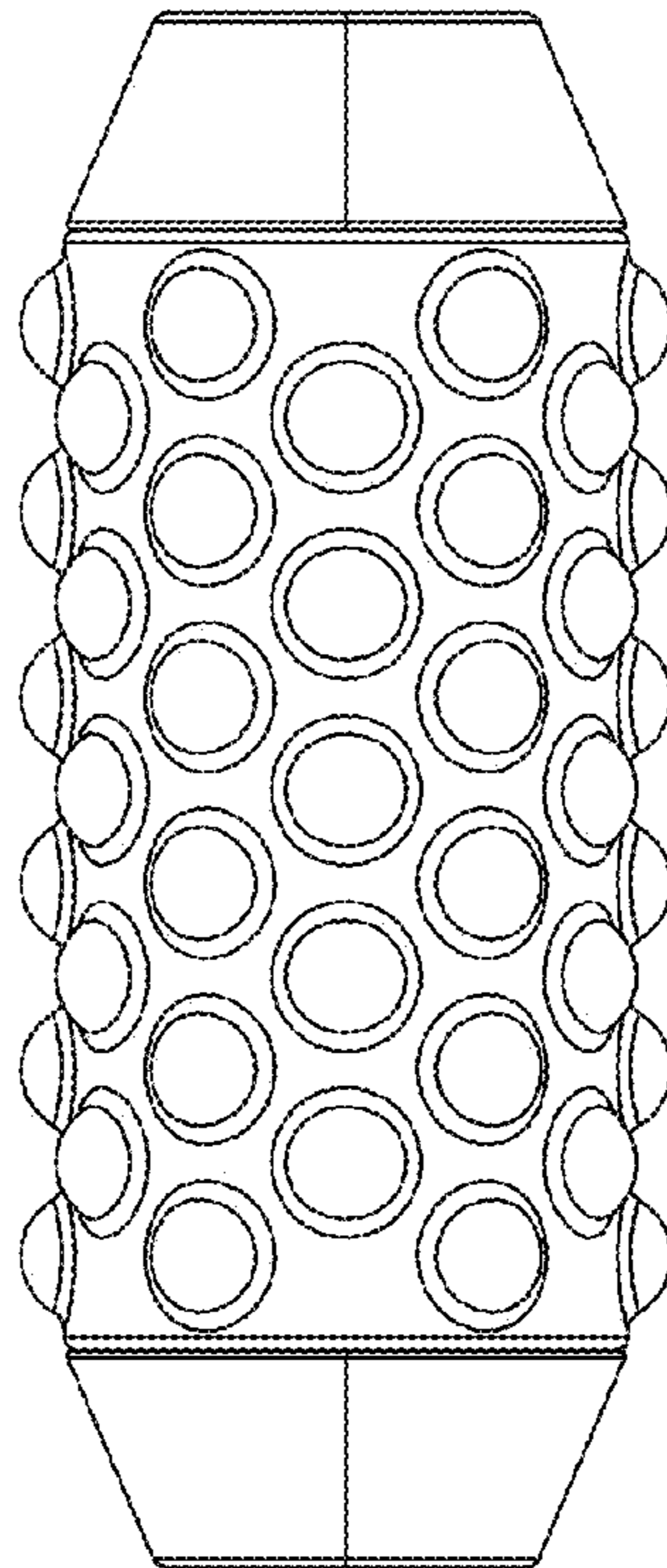


FIG. 21

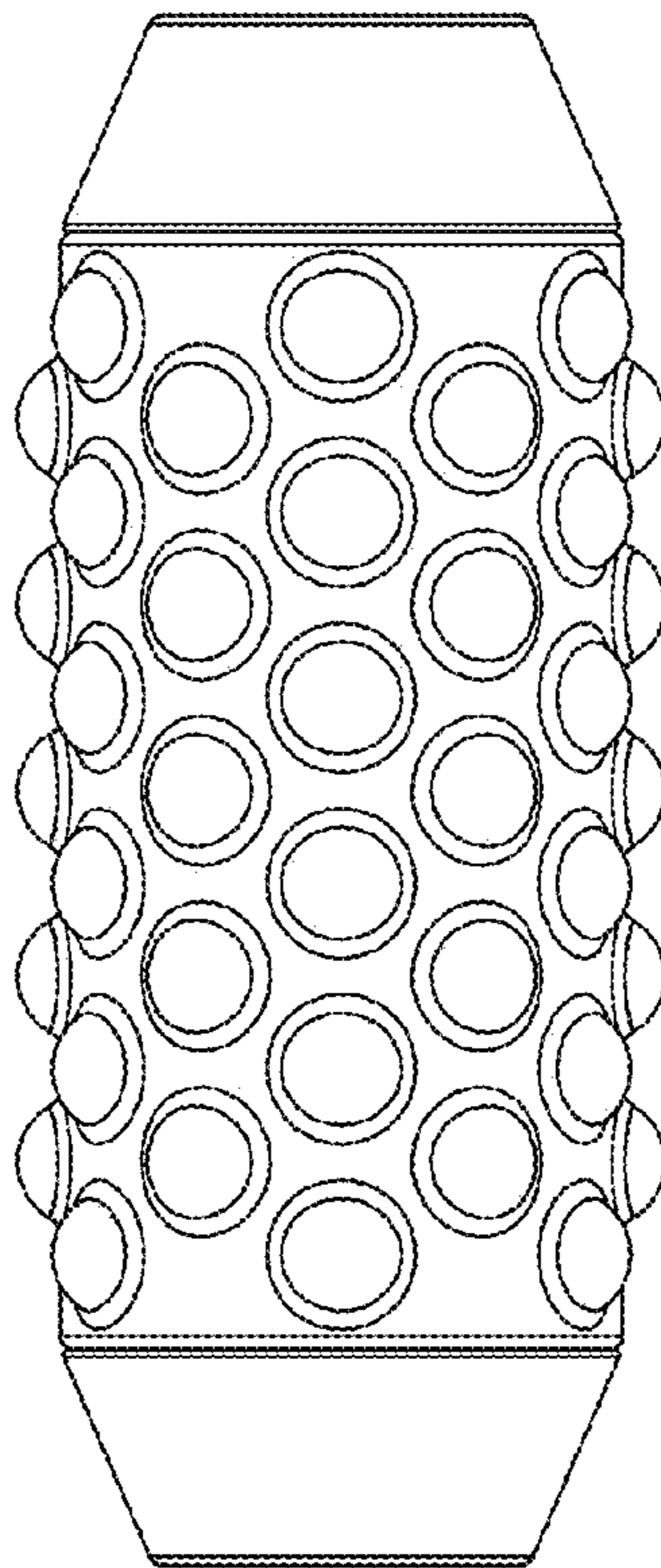


FIG. 22

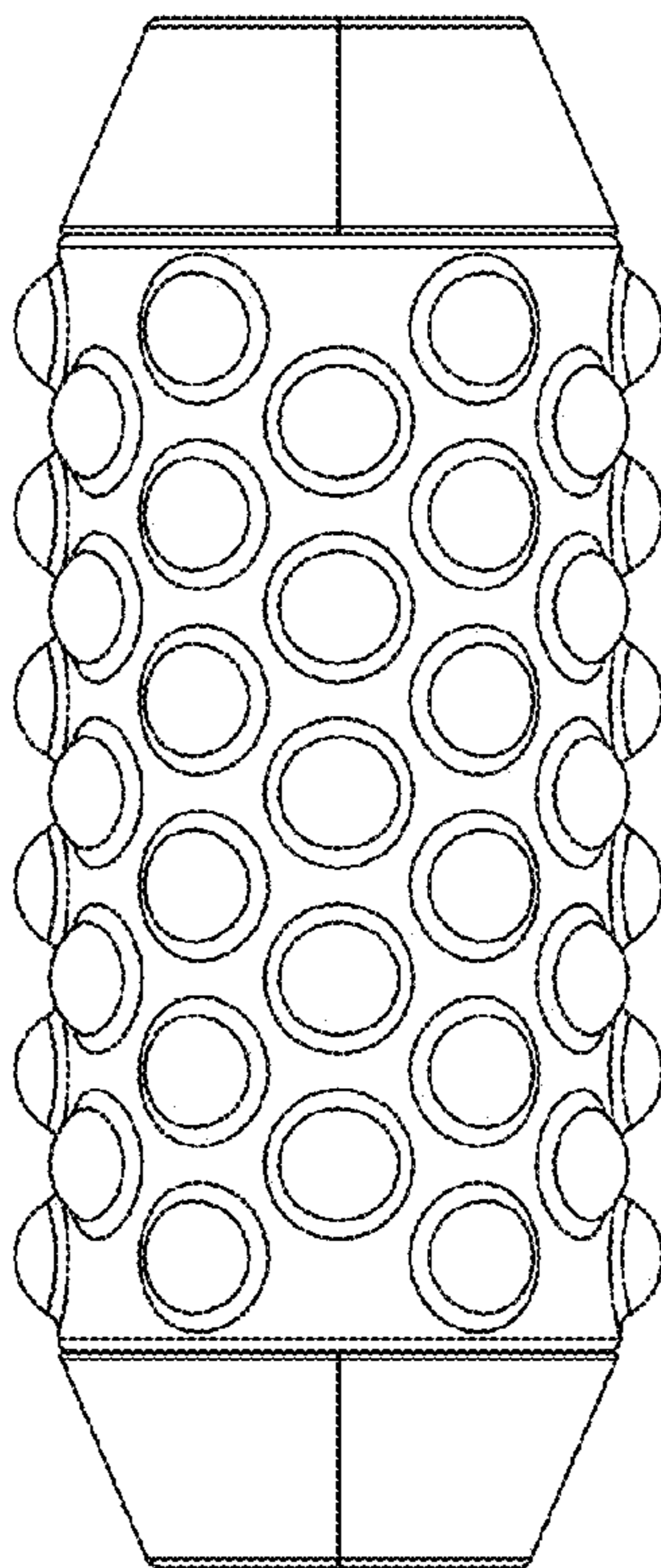


FIG. 23

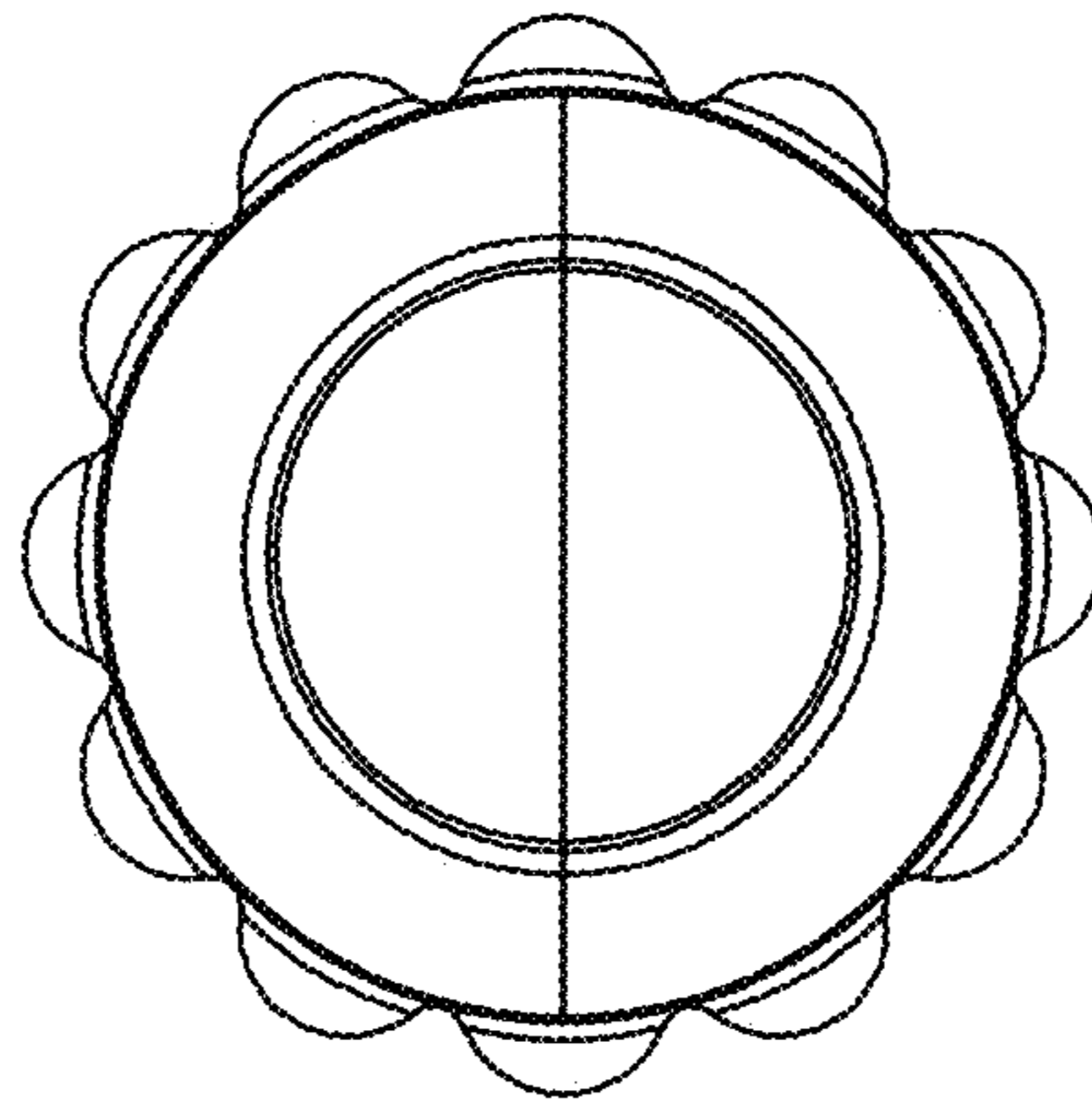


FIG. 24

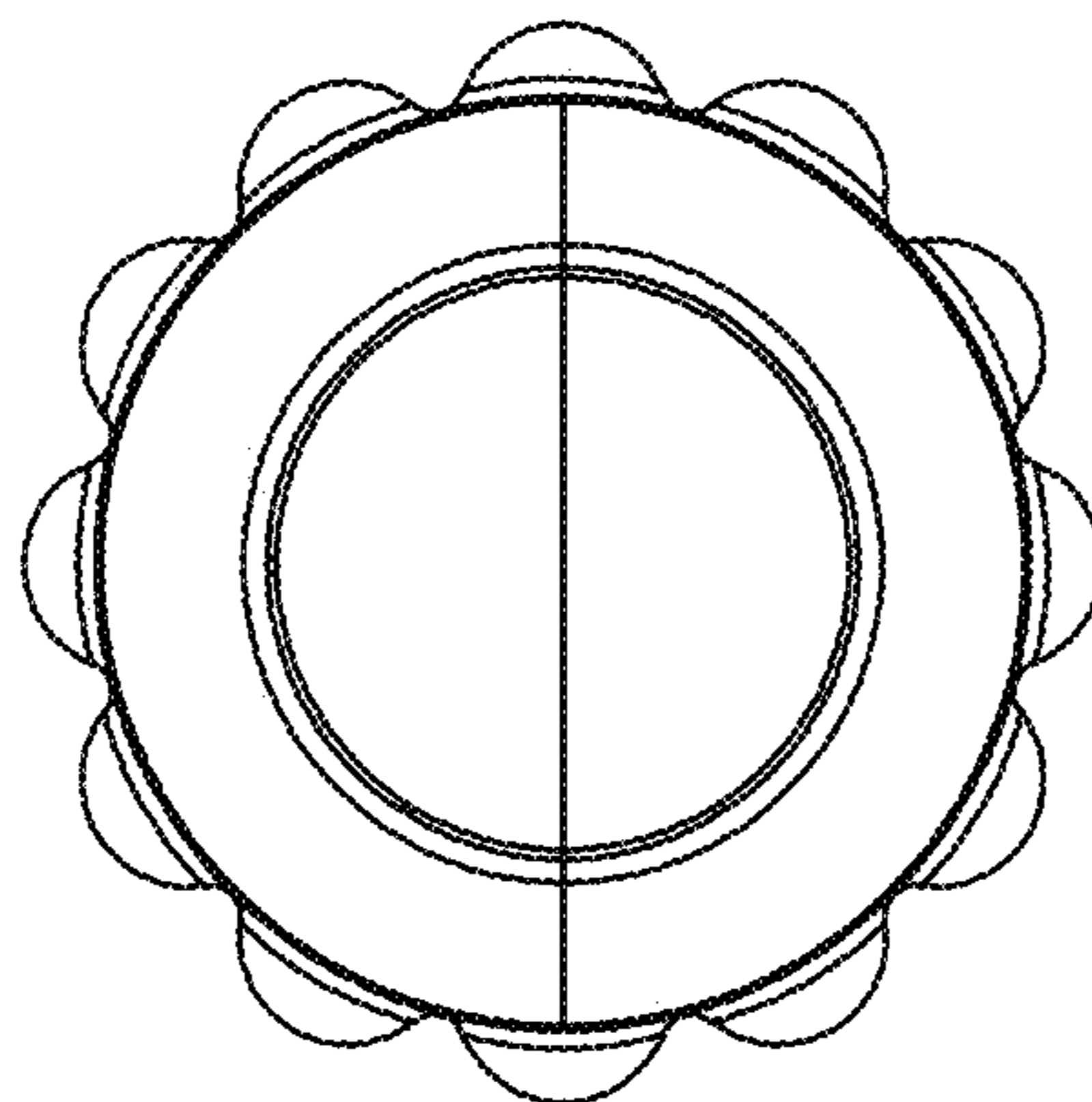


FIG. 25

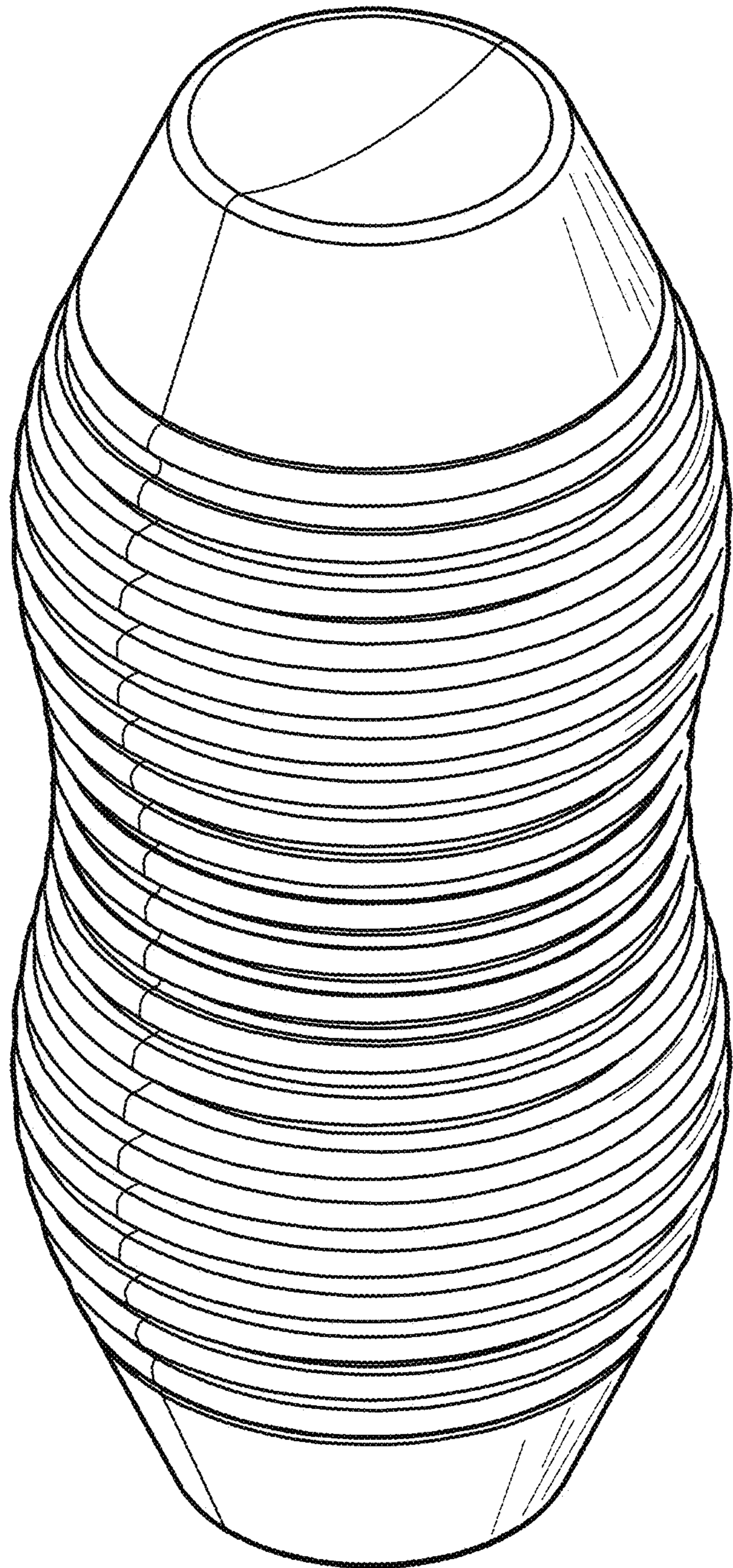


FIG. 26

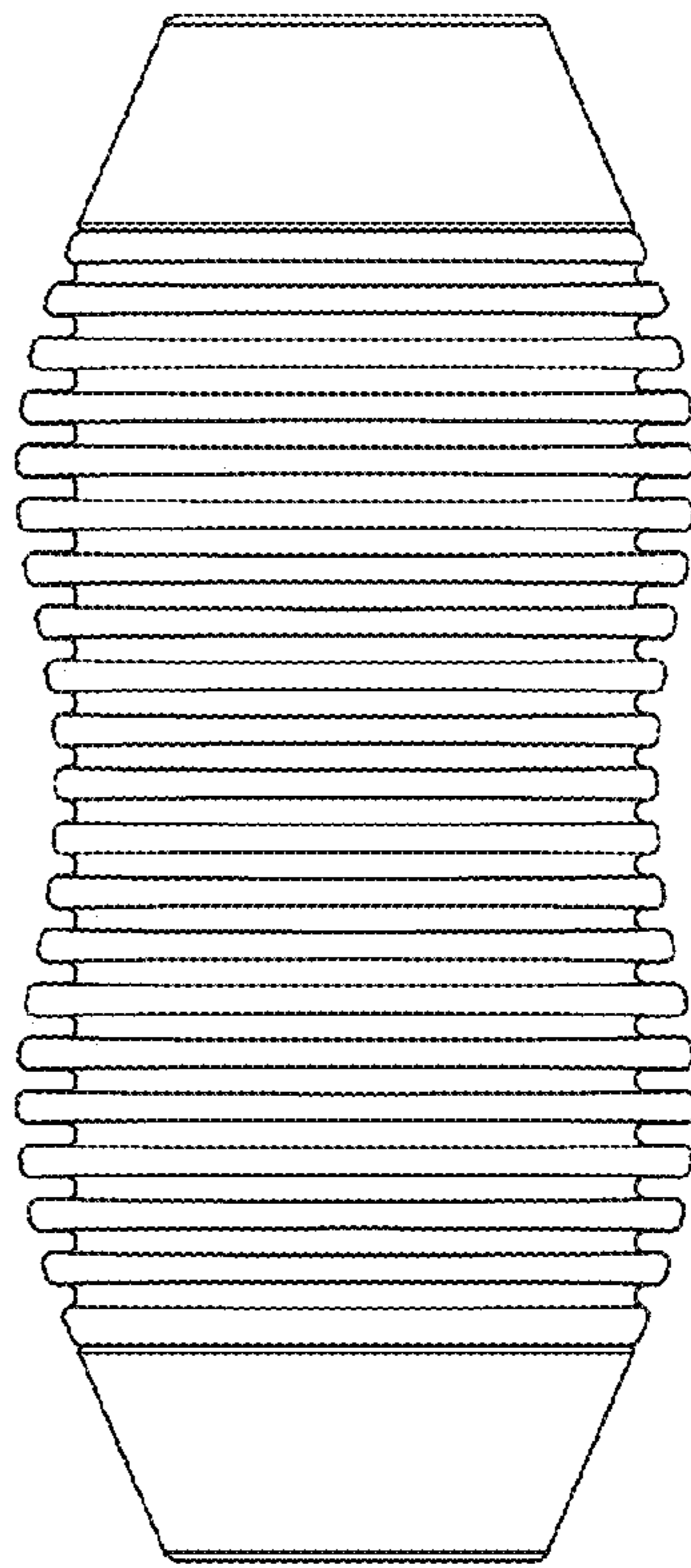


FIG. 27

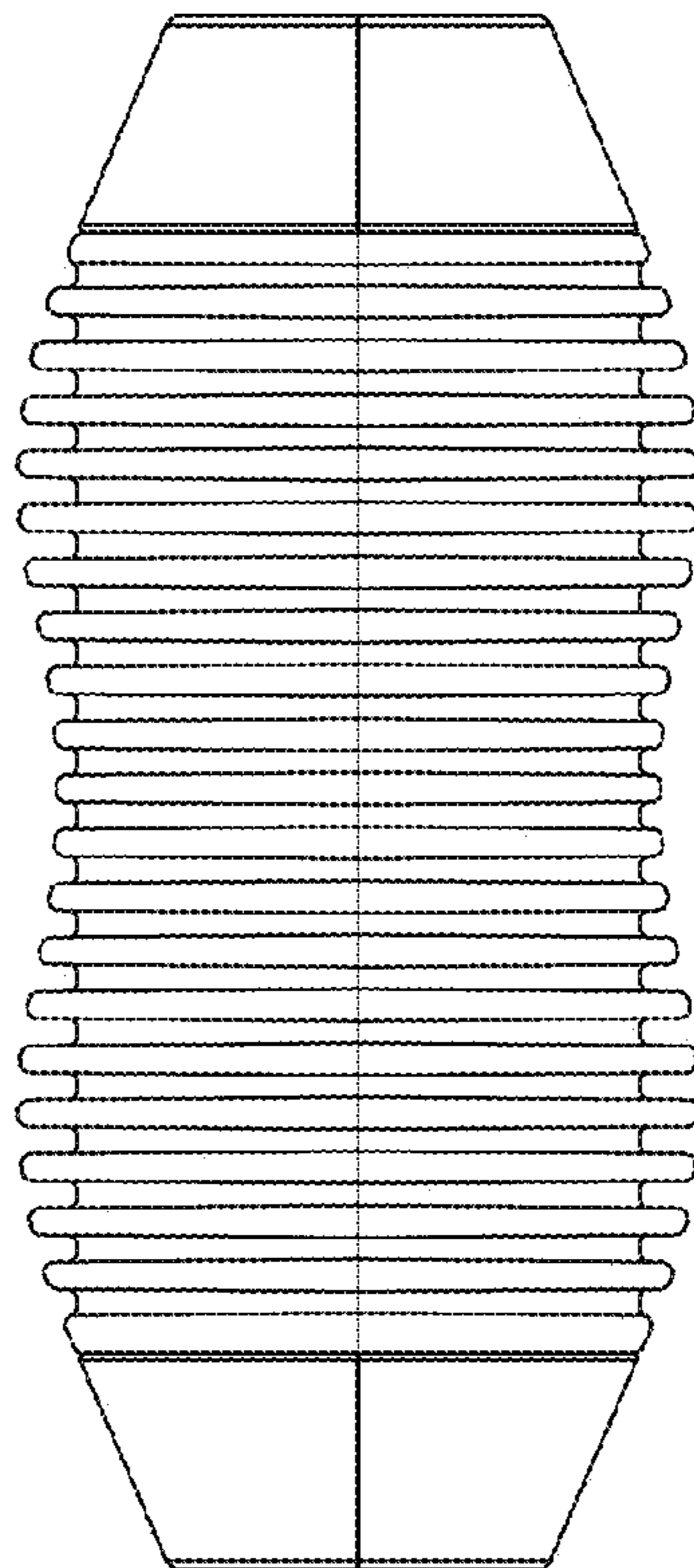


FIG. 28

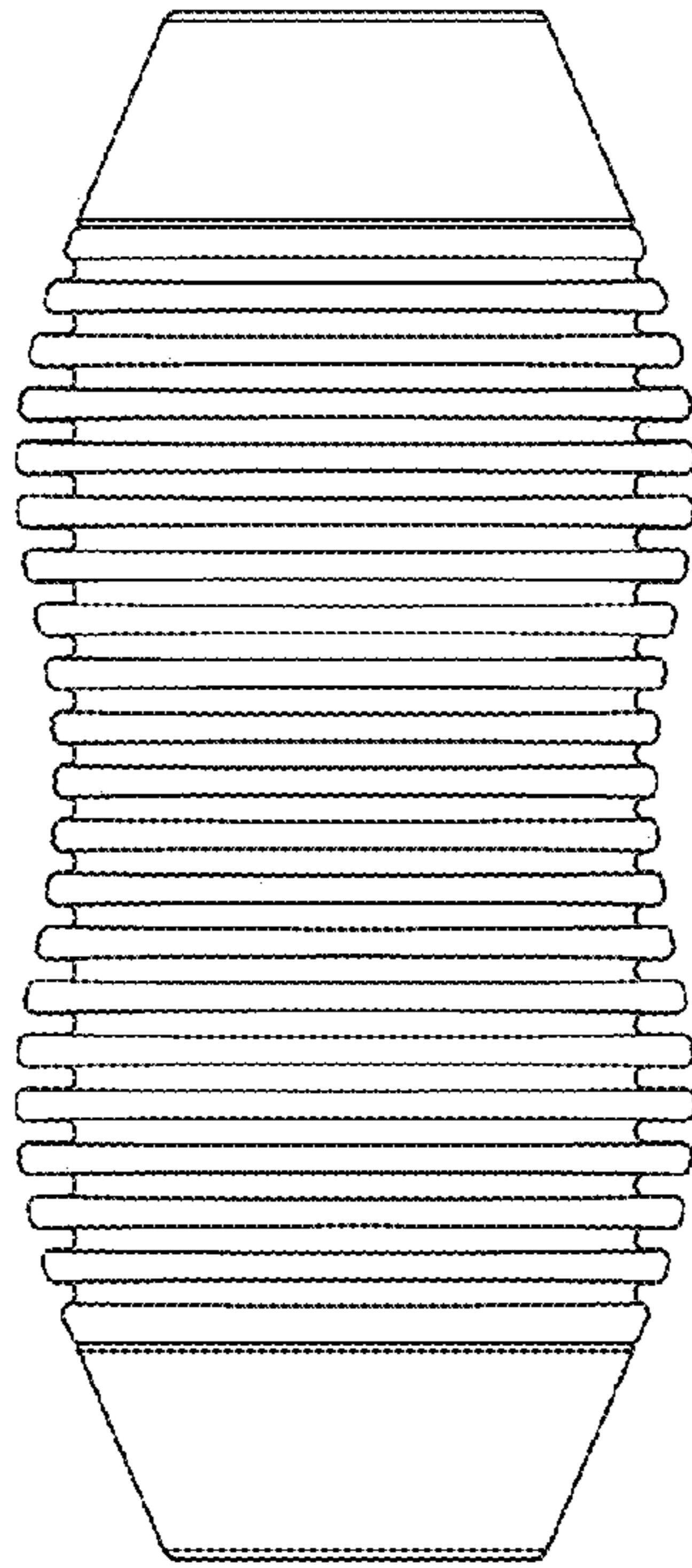


FIG. 29

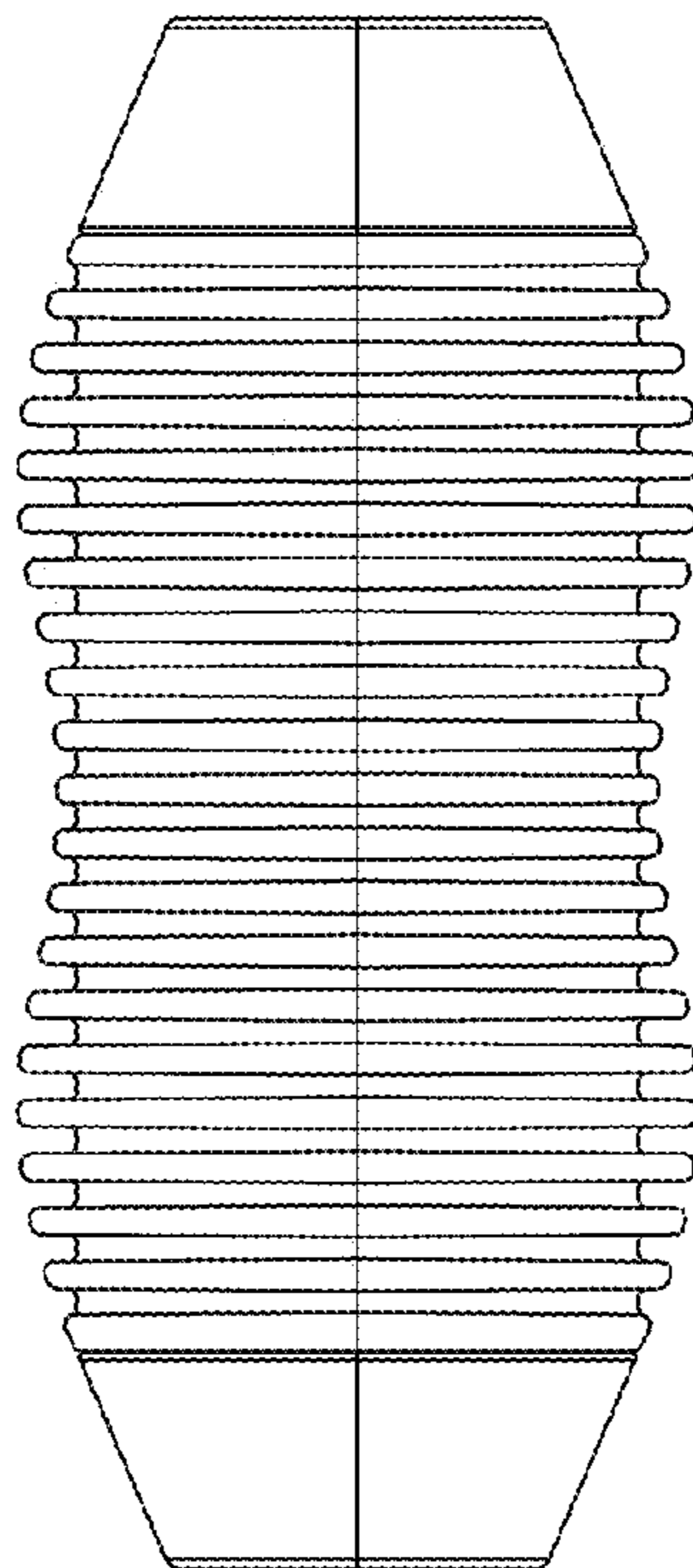


FIG. 30



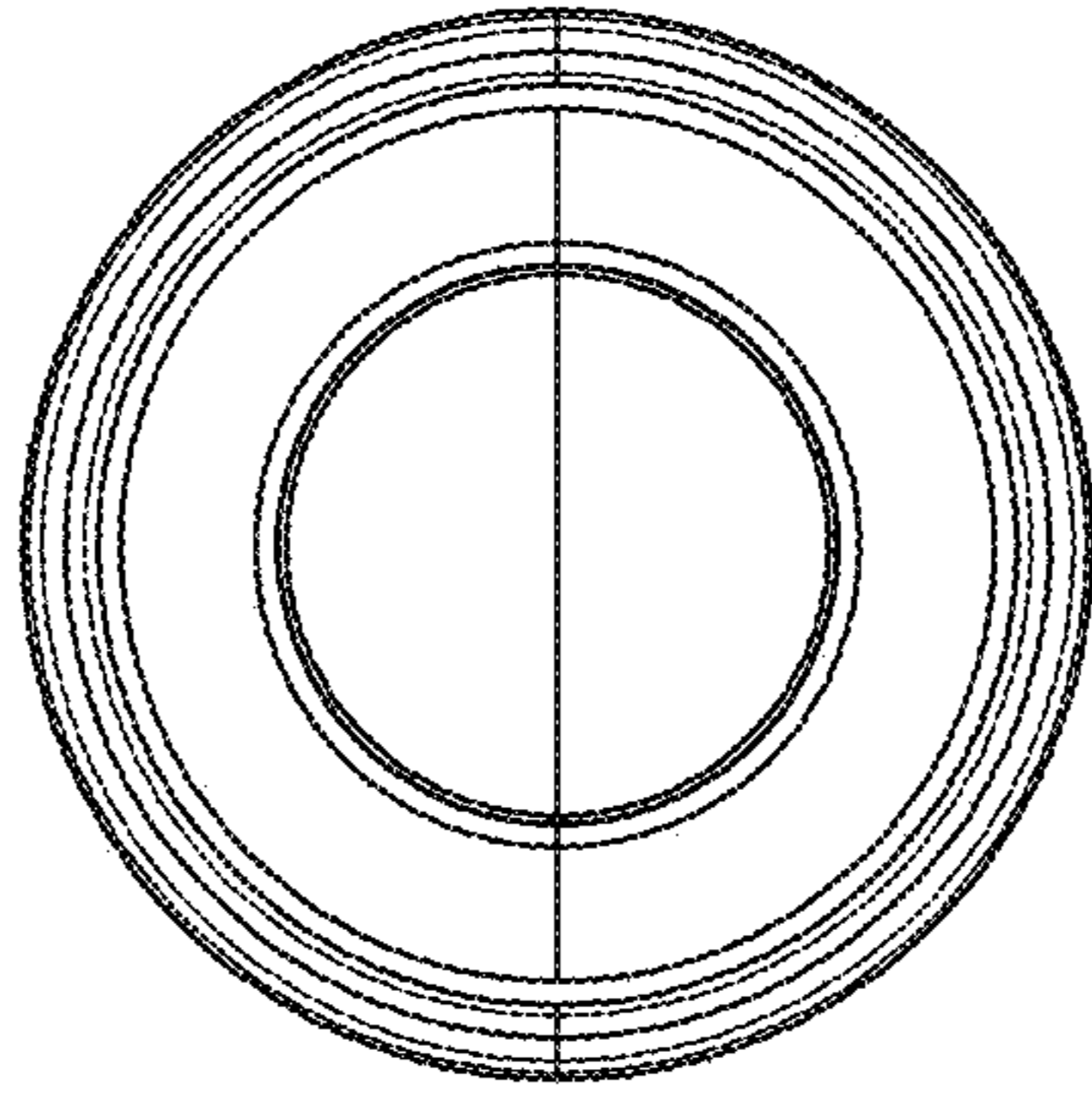


FIG. 31

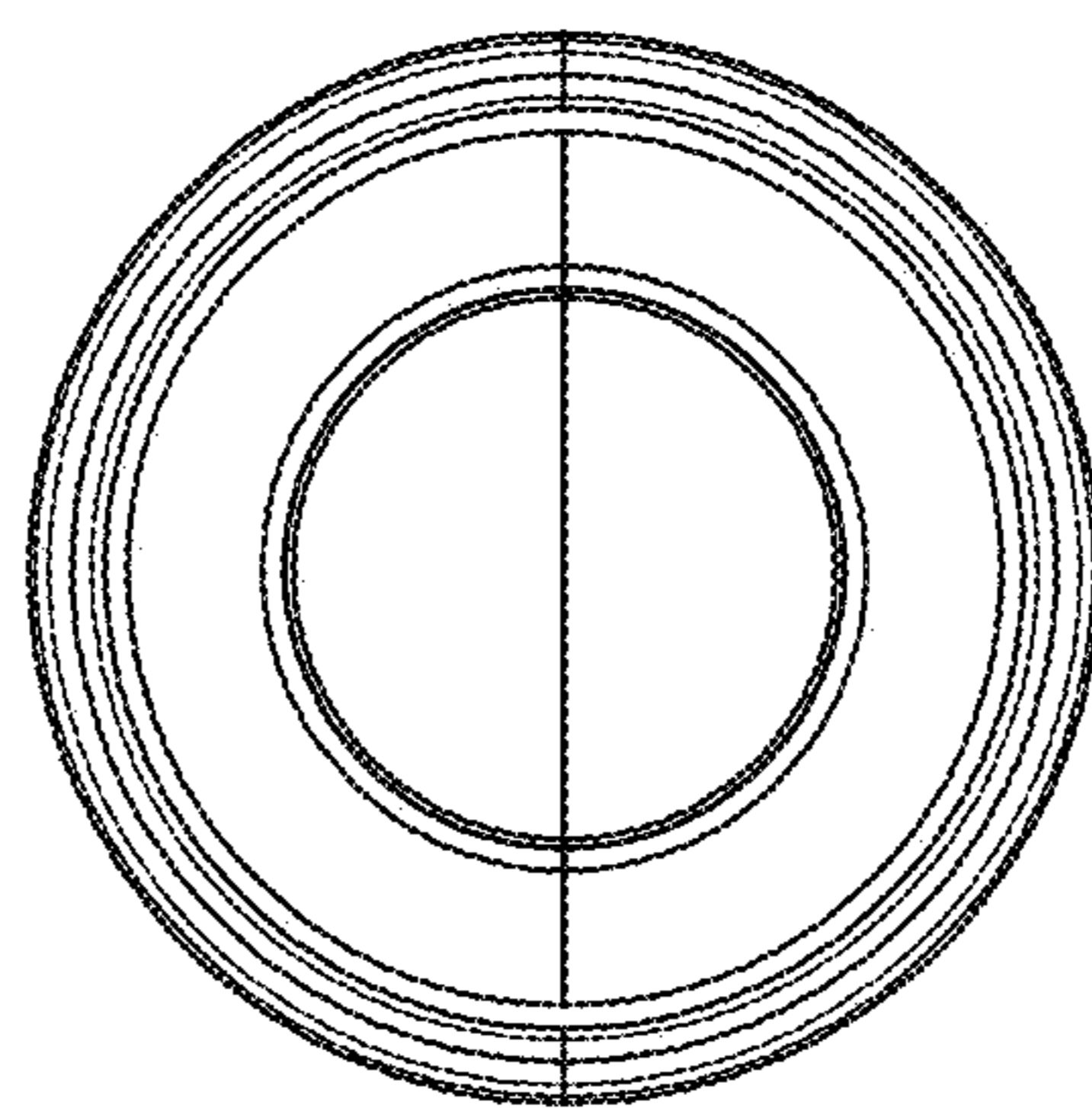


FIG. 32

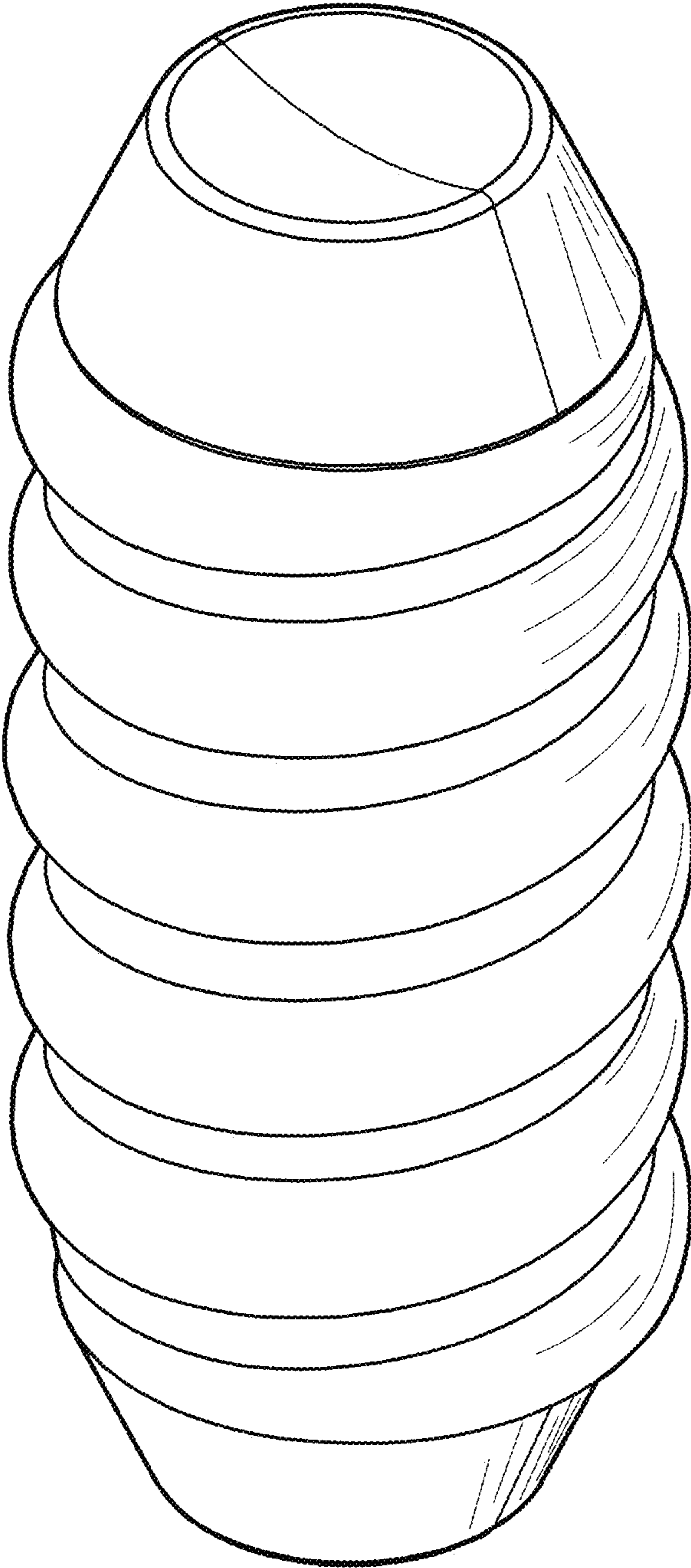
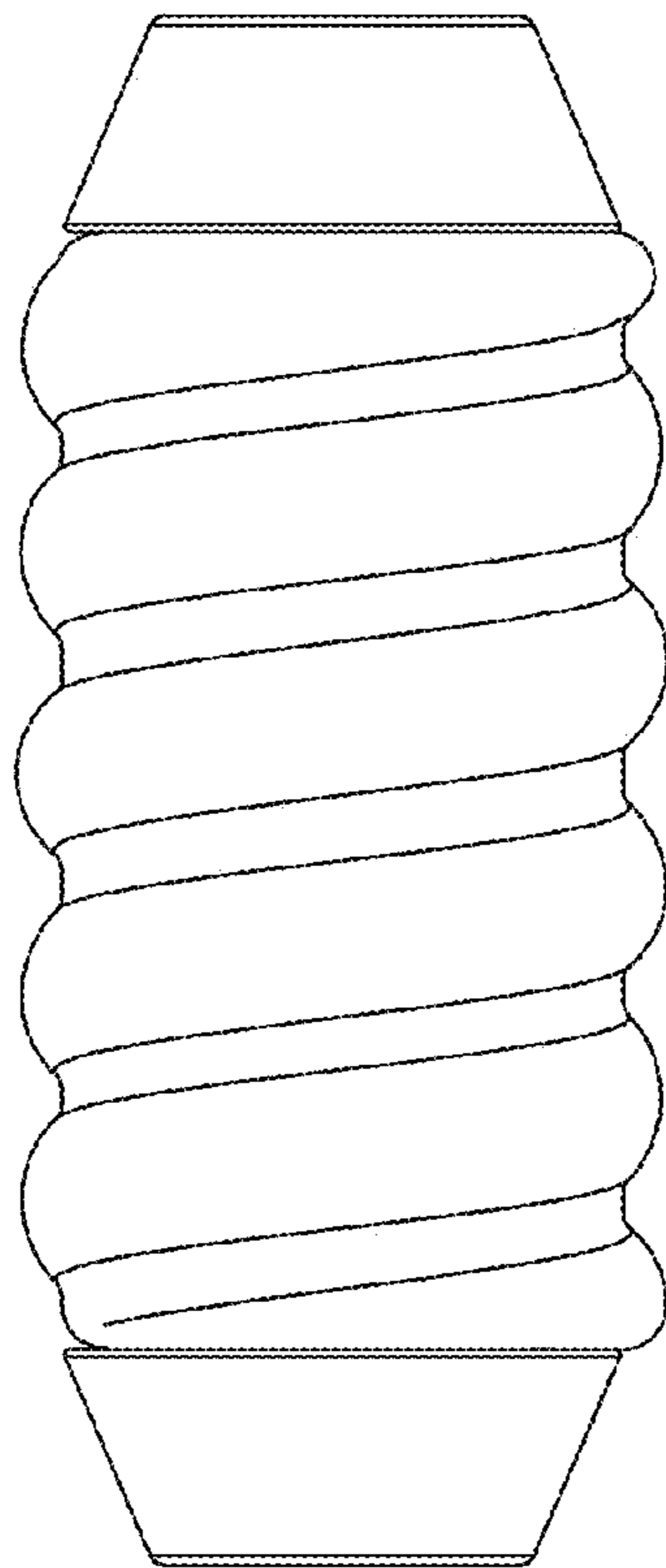
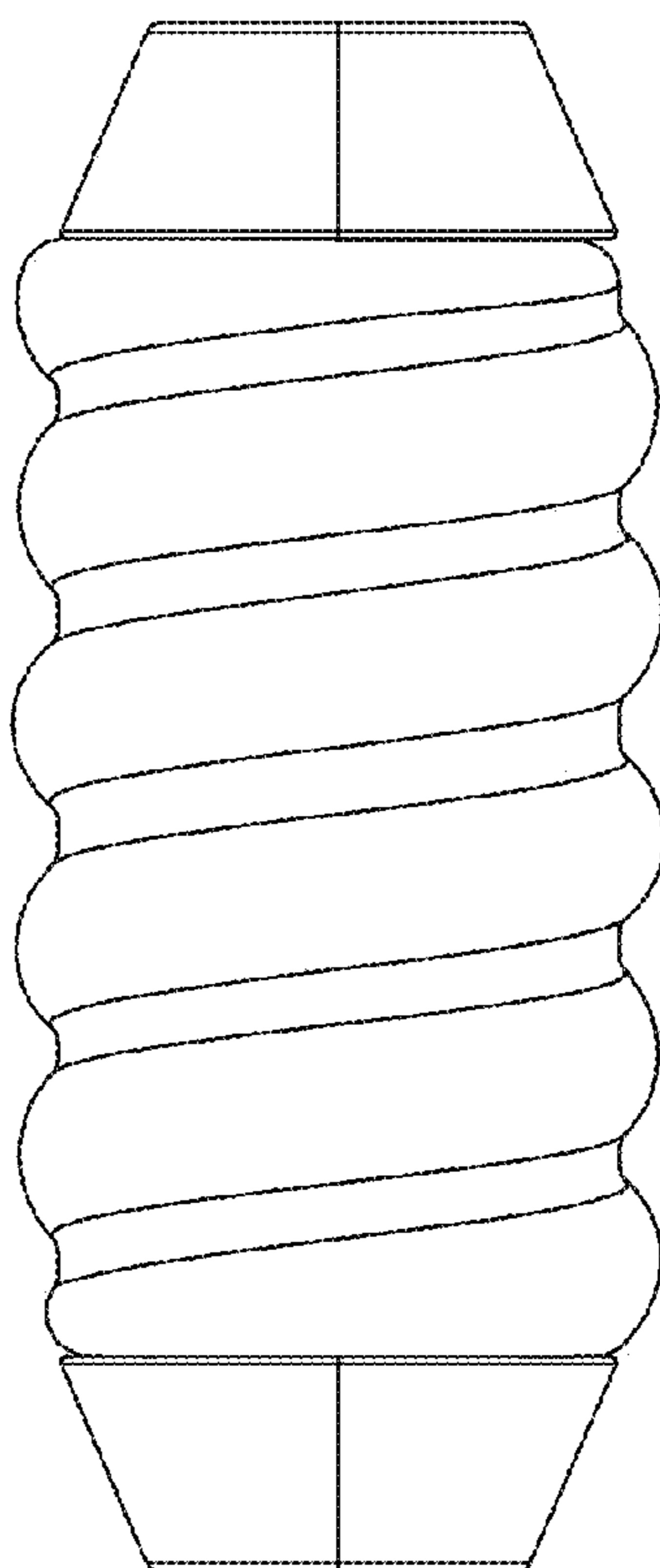


FIG. 33



**FIG. 34**



**FIG. 35**

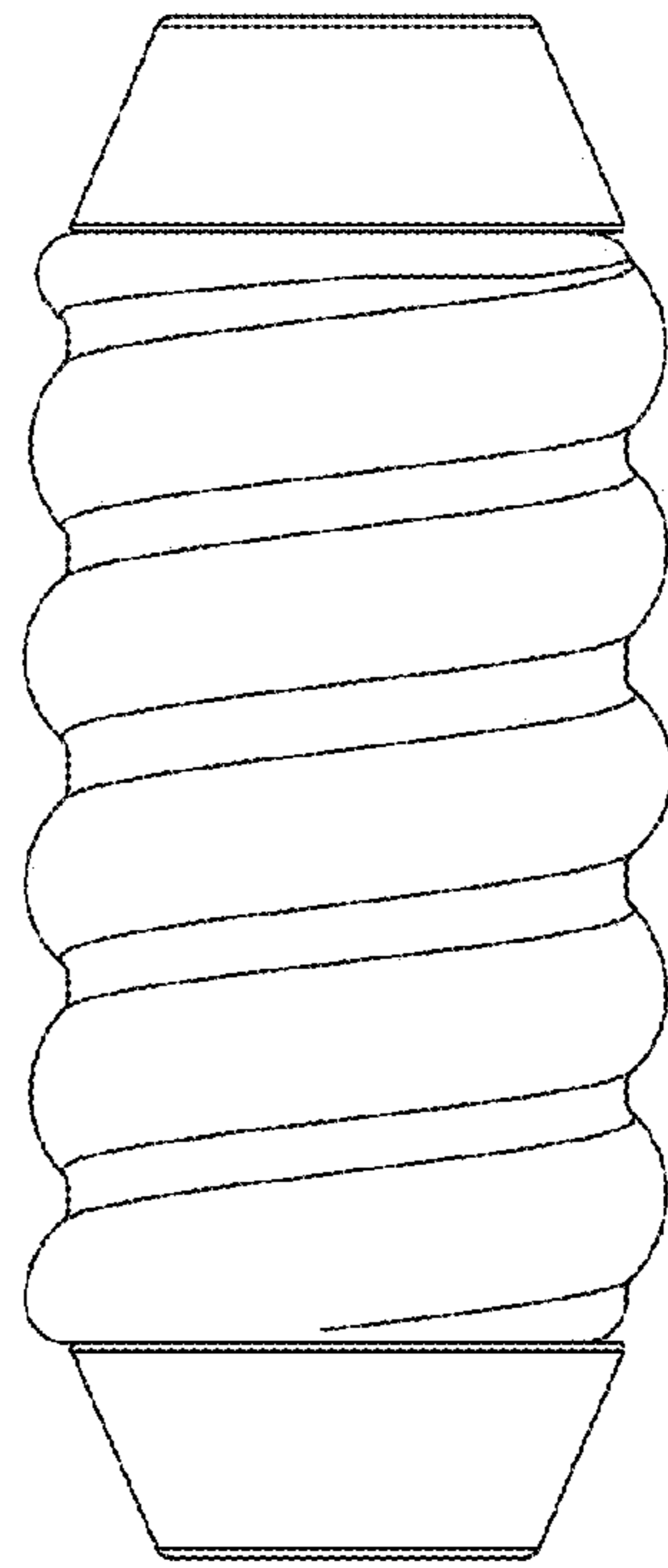


FIG. 36

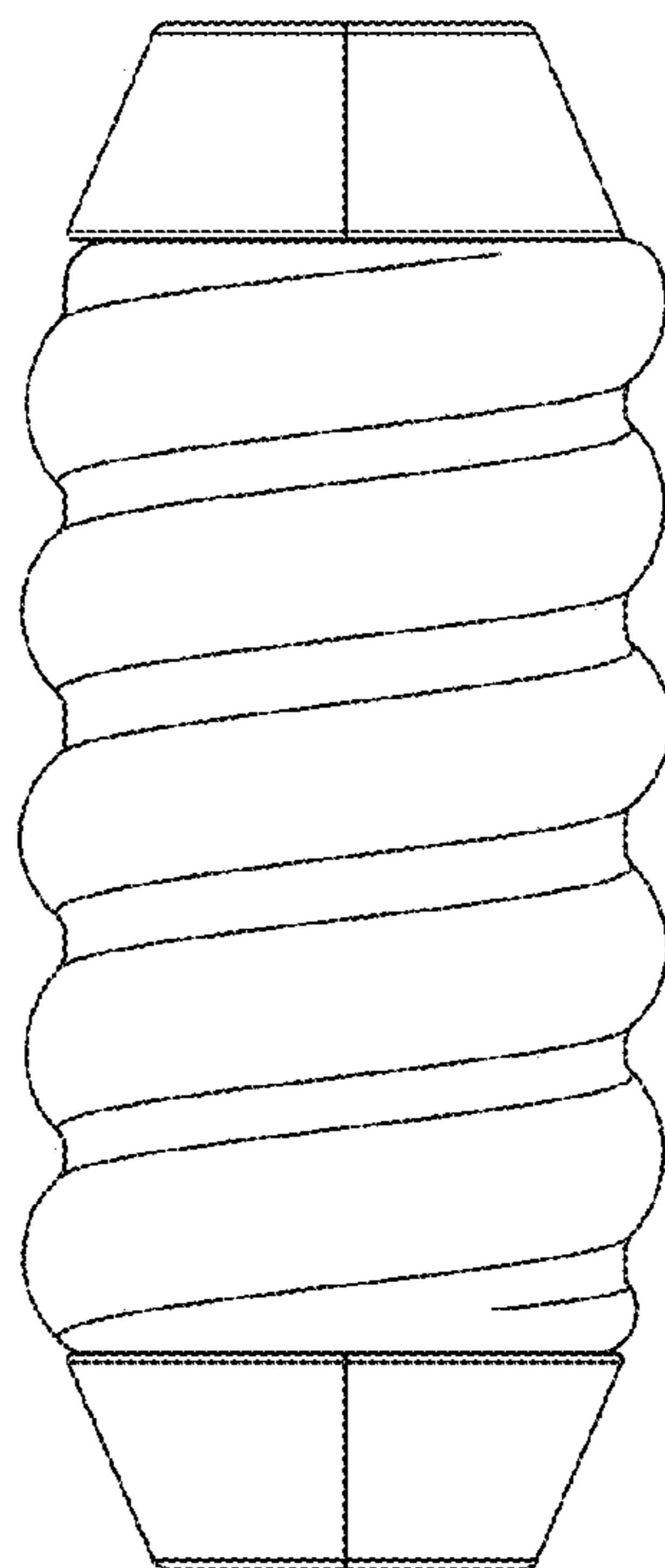


FIG. 37

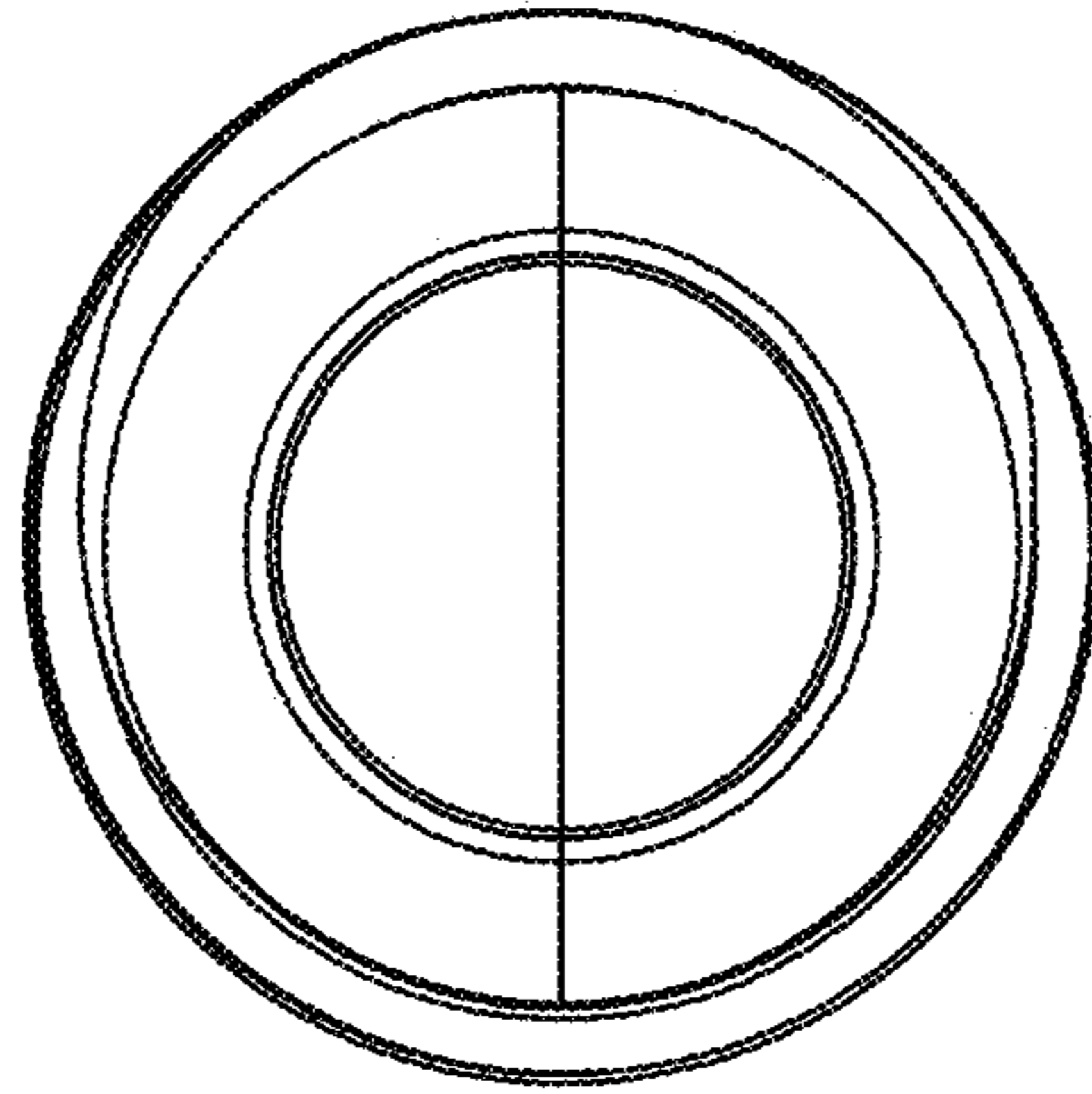


FIG. 38

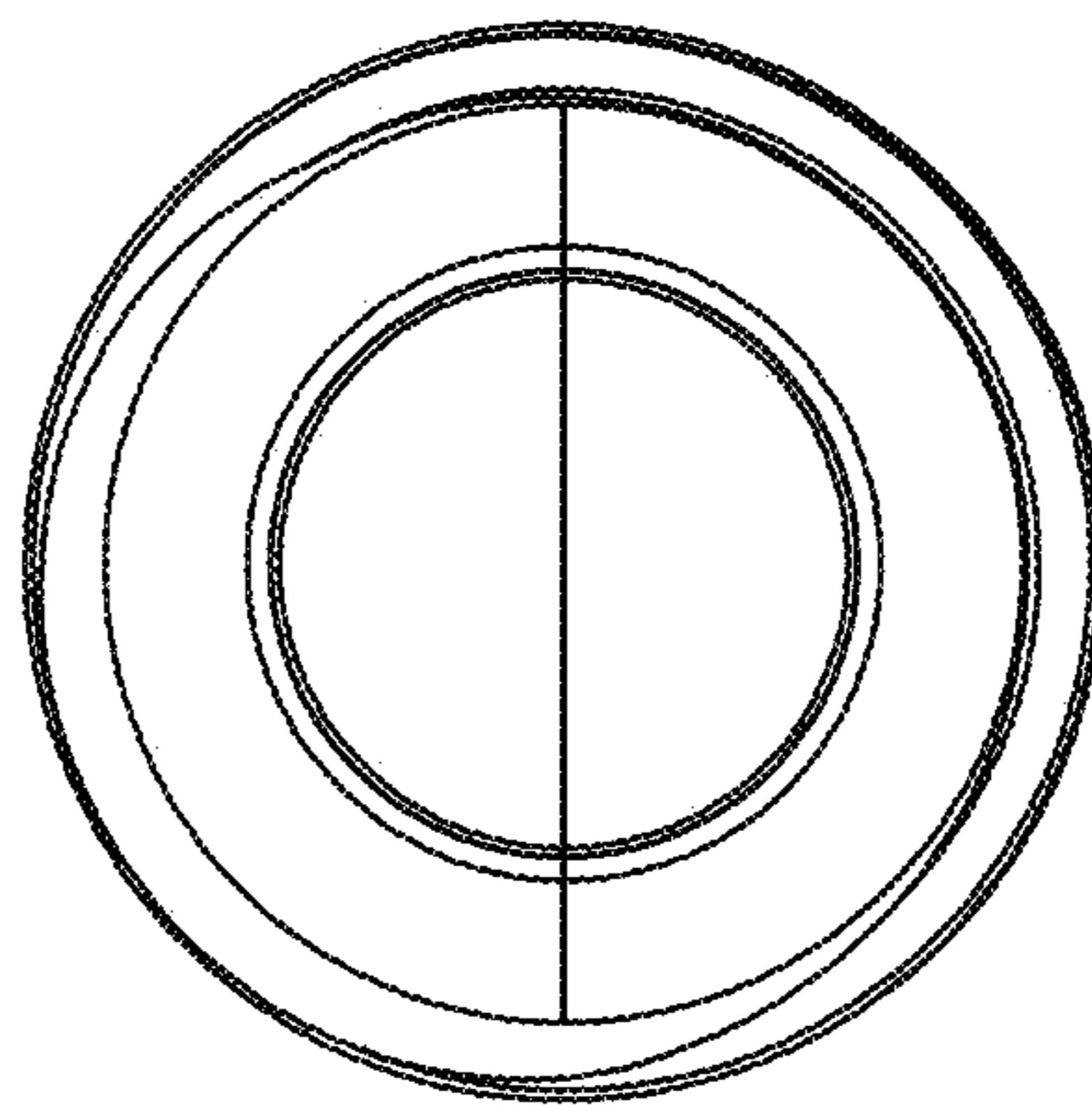


FIG. 39

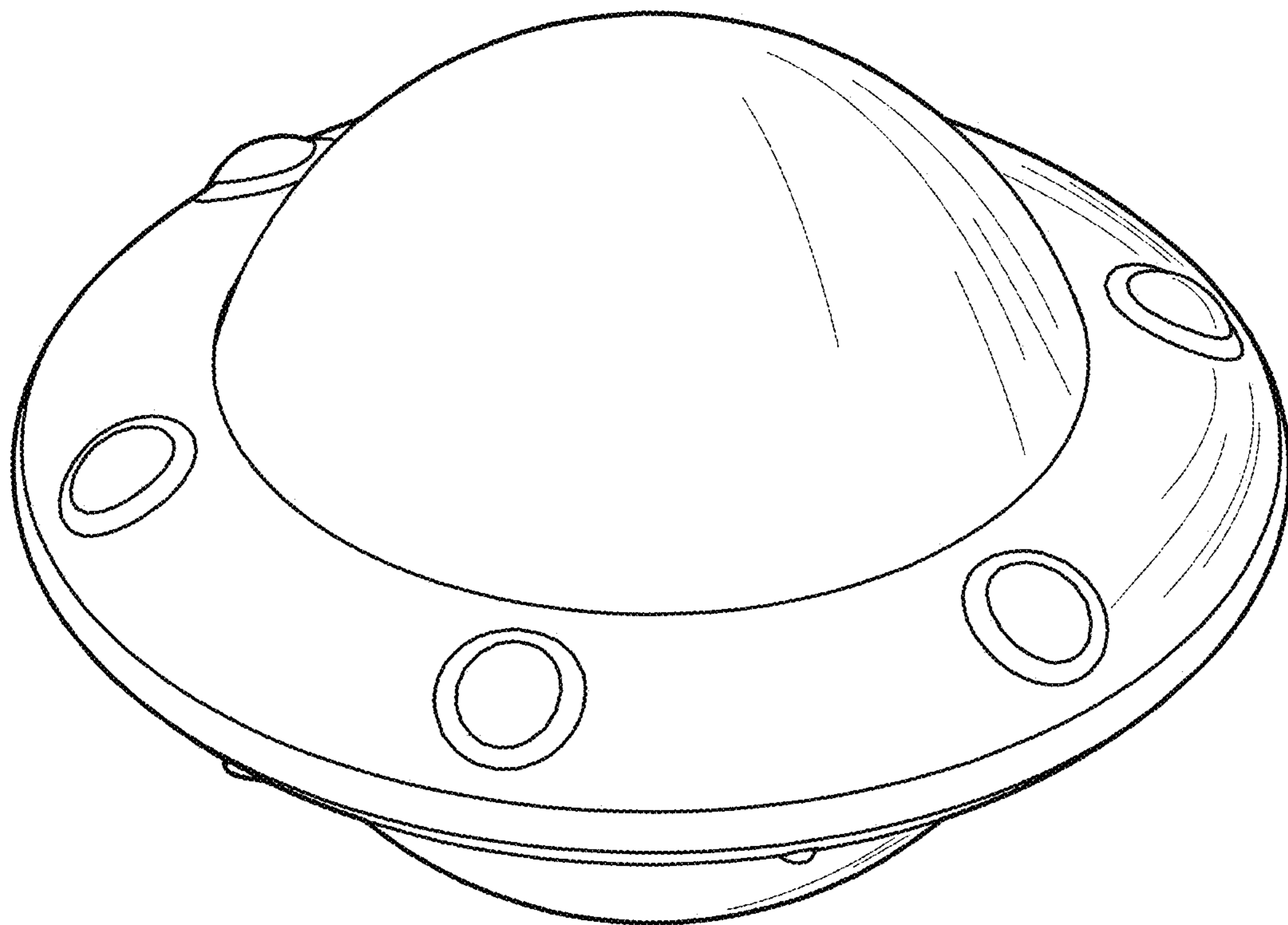


FIG. 40

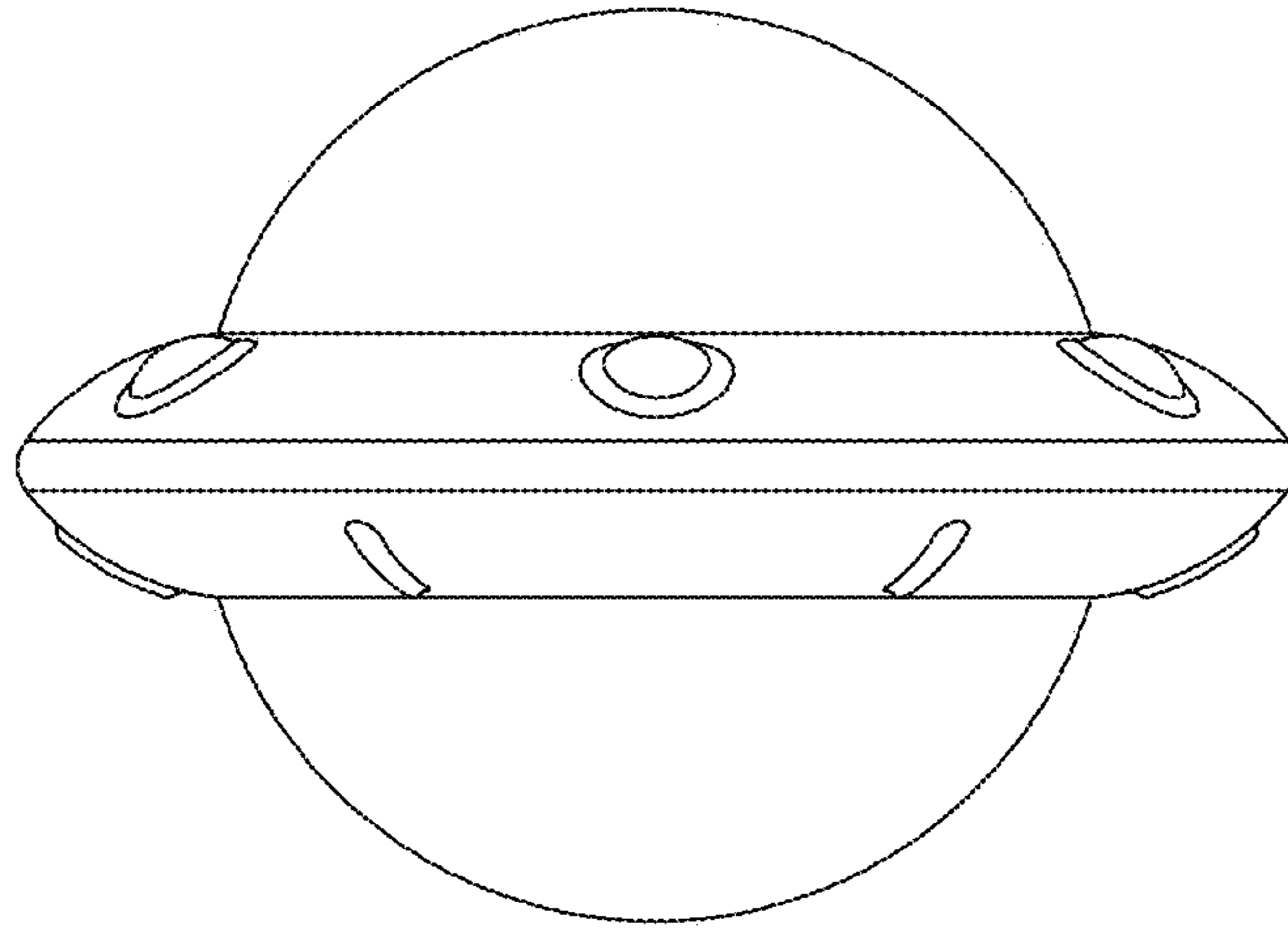


FIG. 41

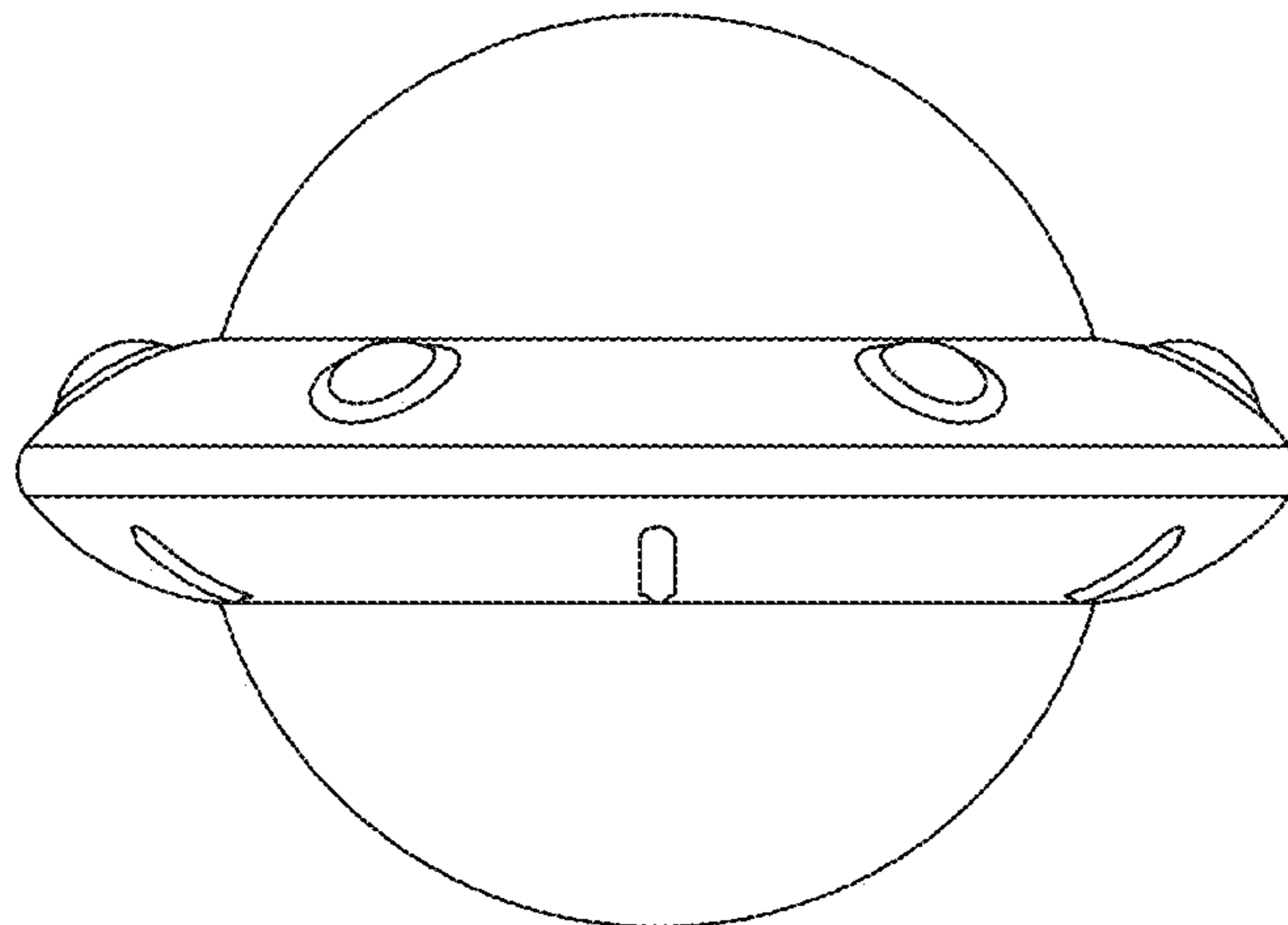


FIG. 42

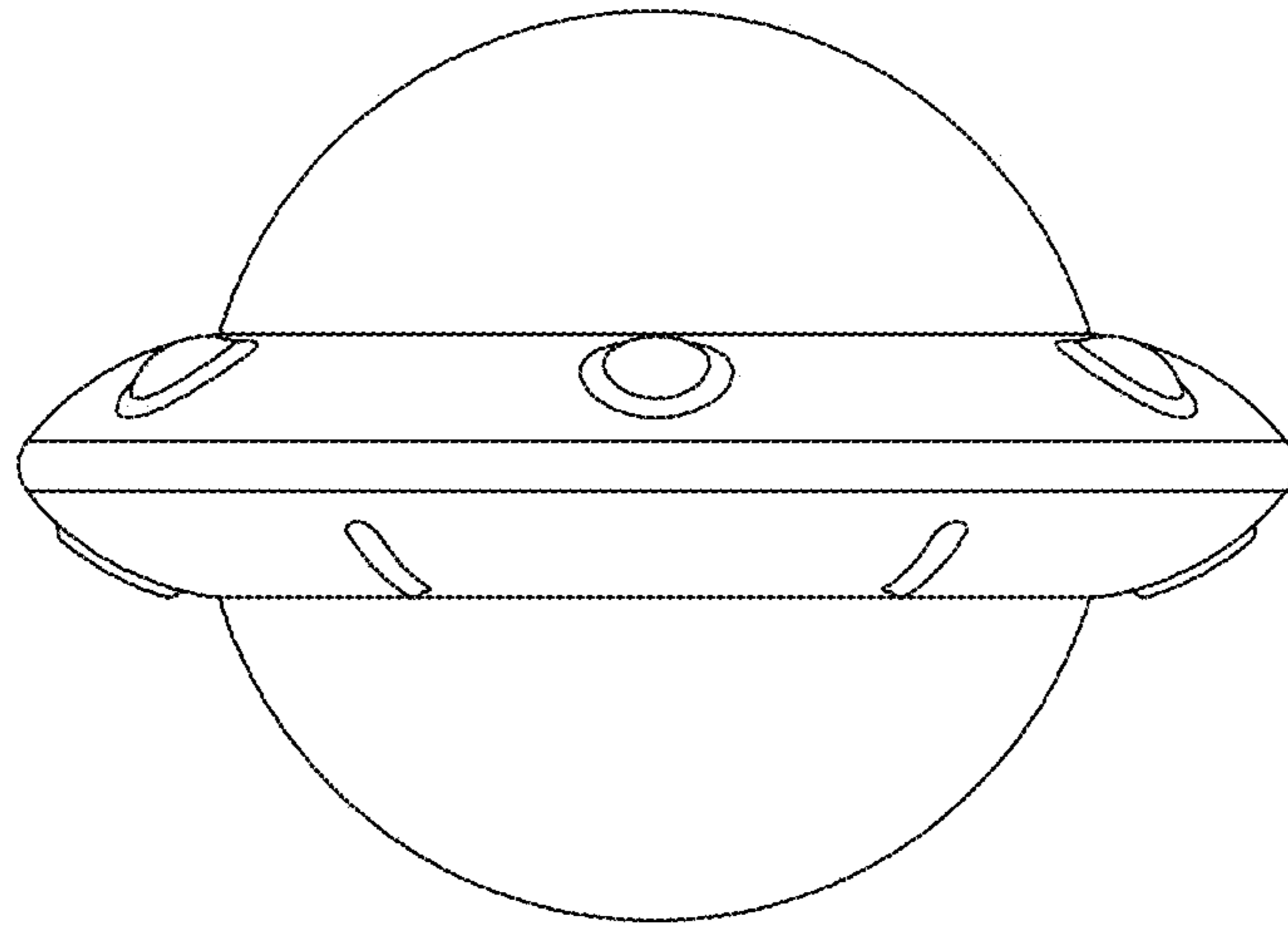


FIG. 43

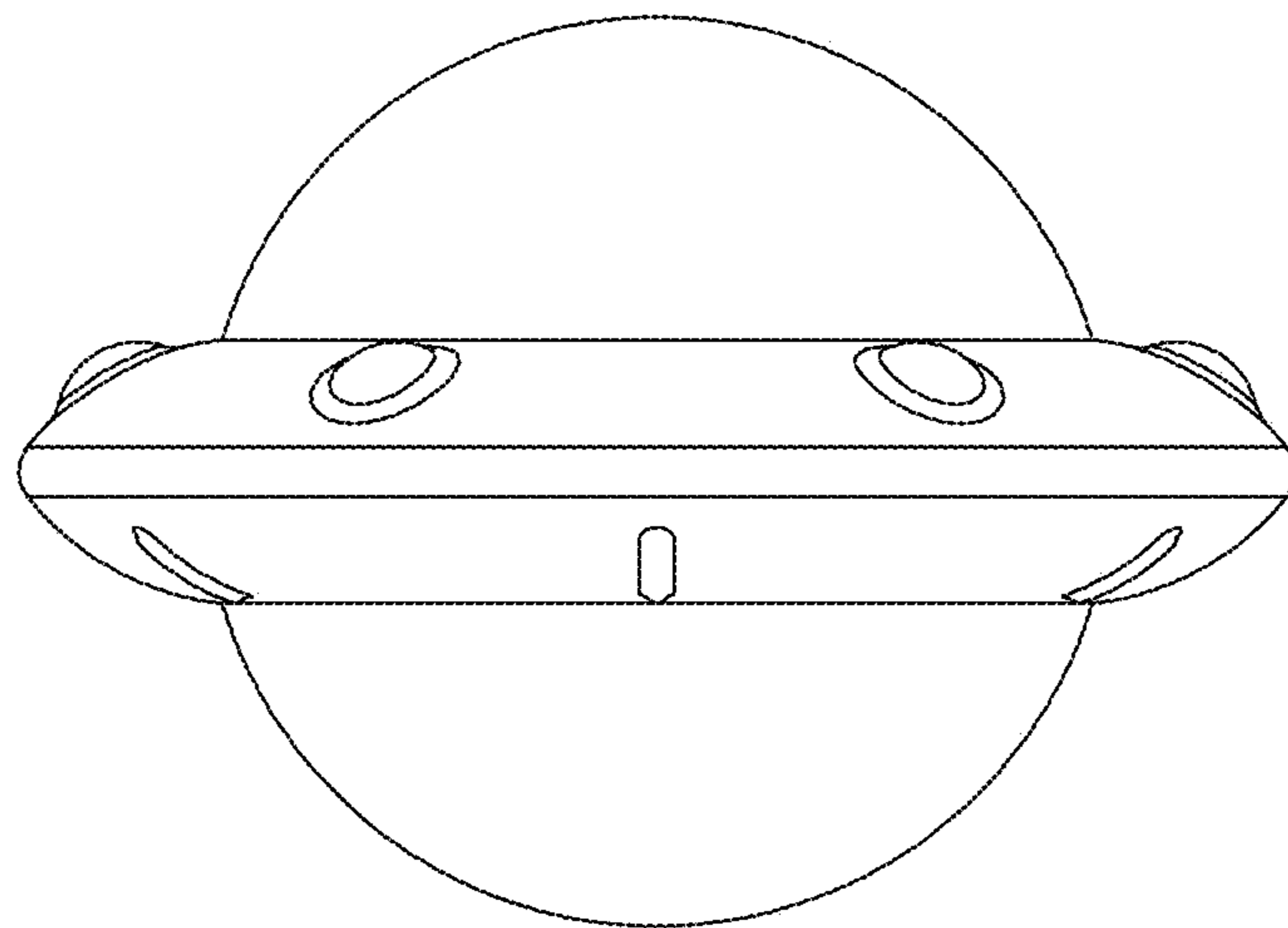


FIG. 44



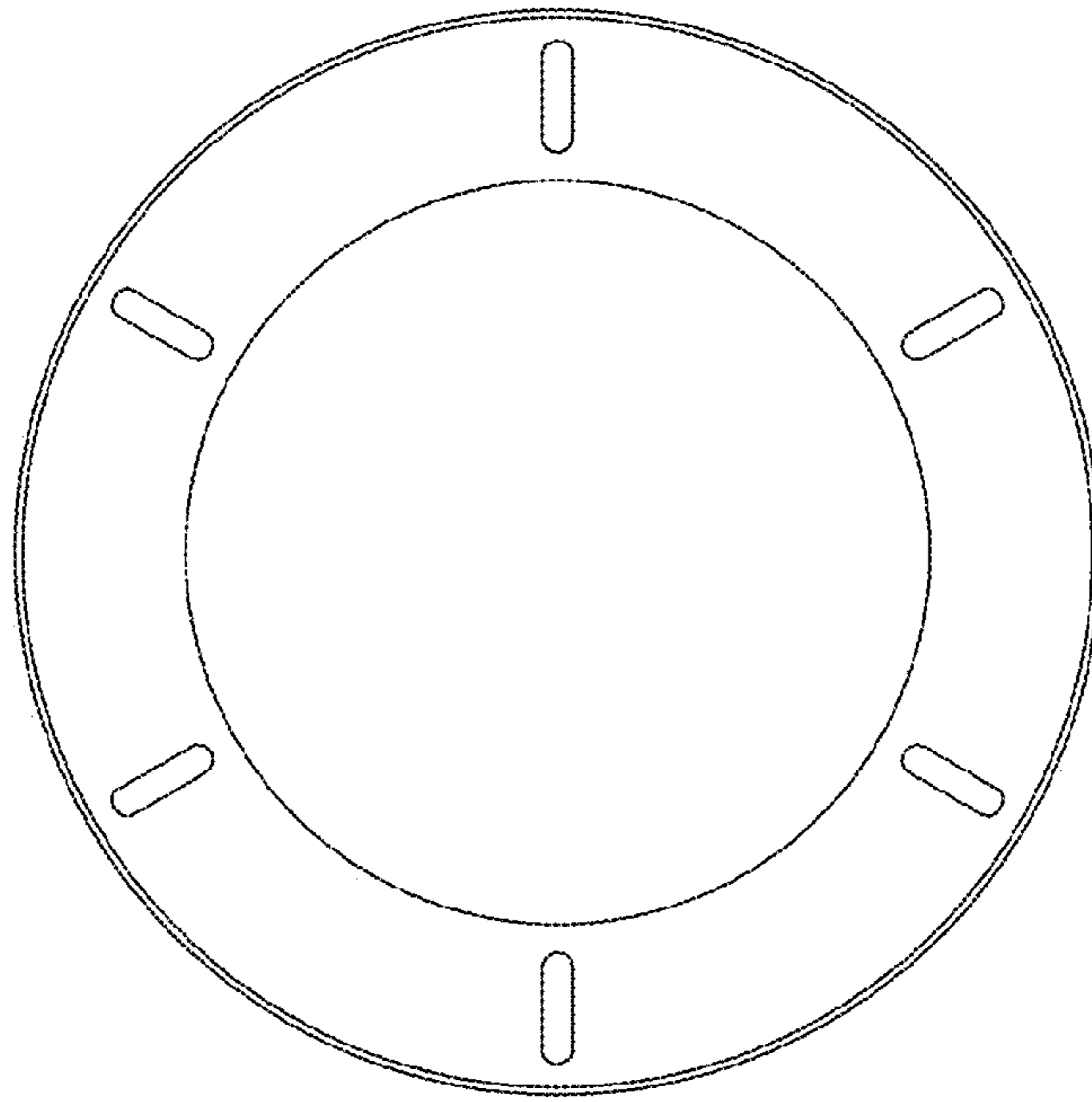


FIG. 45

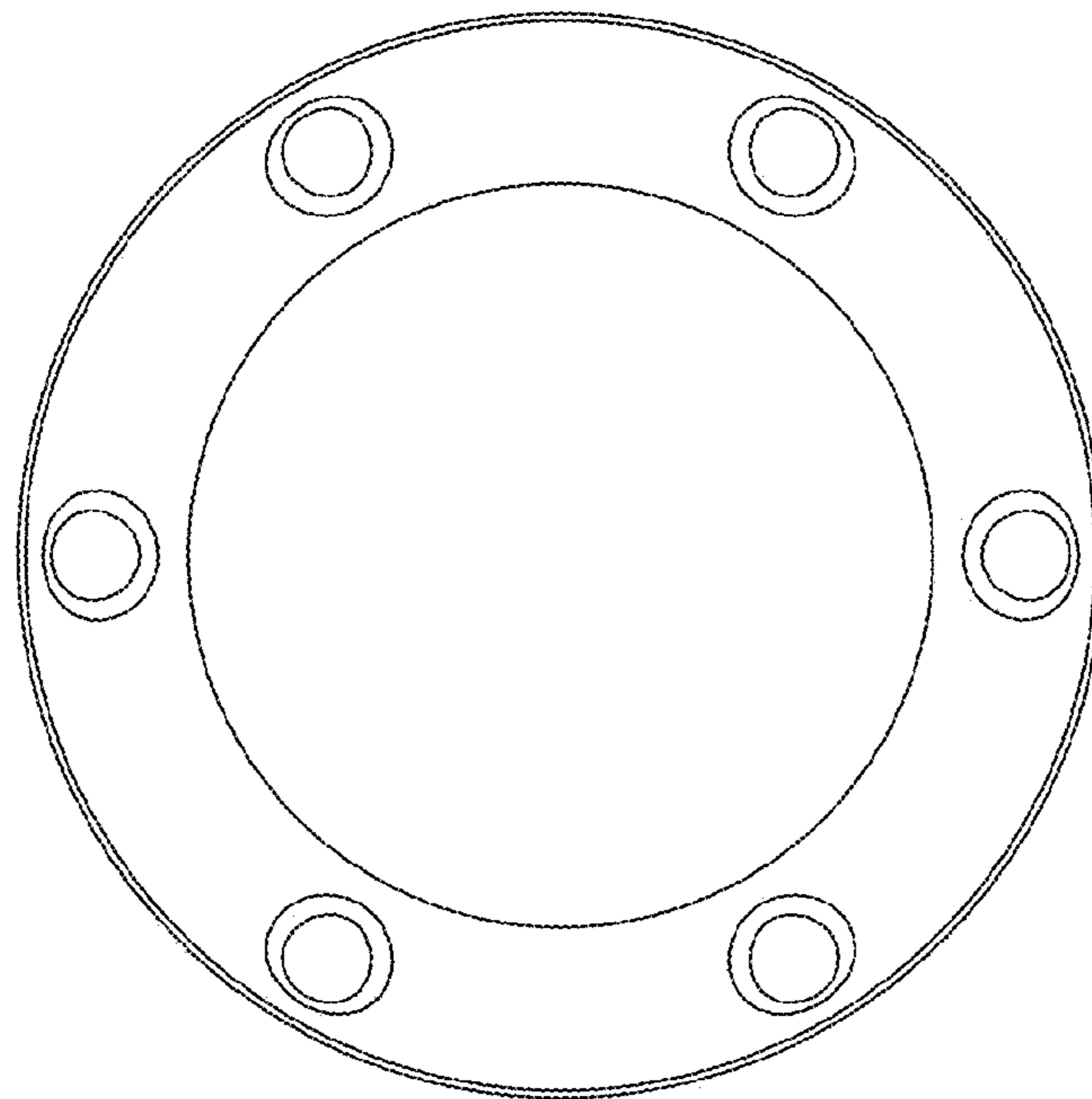


FIG. 46

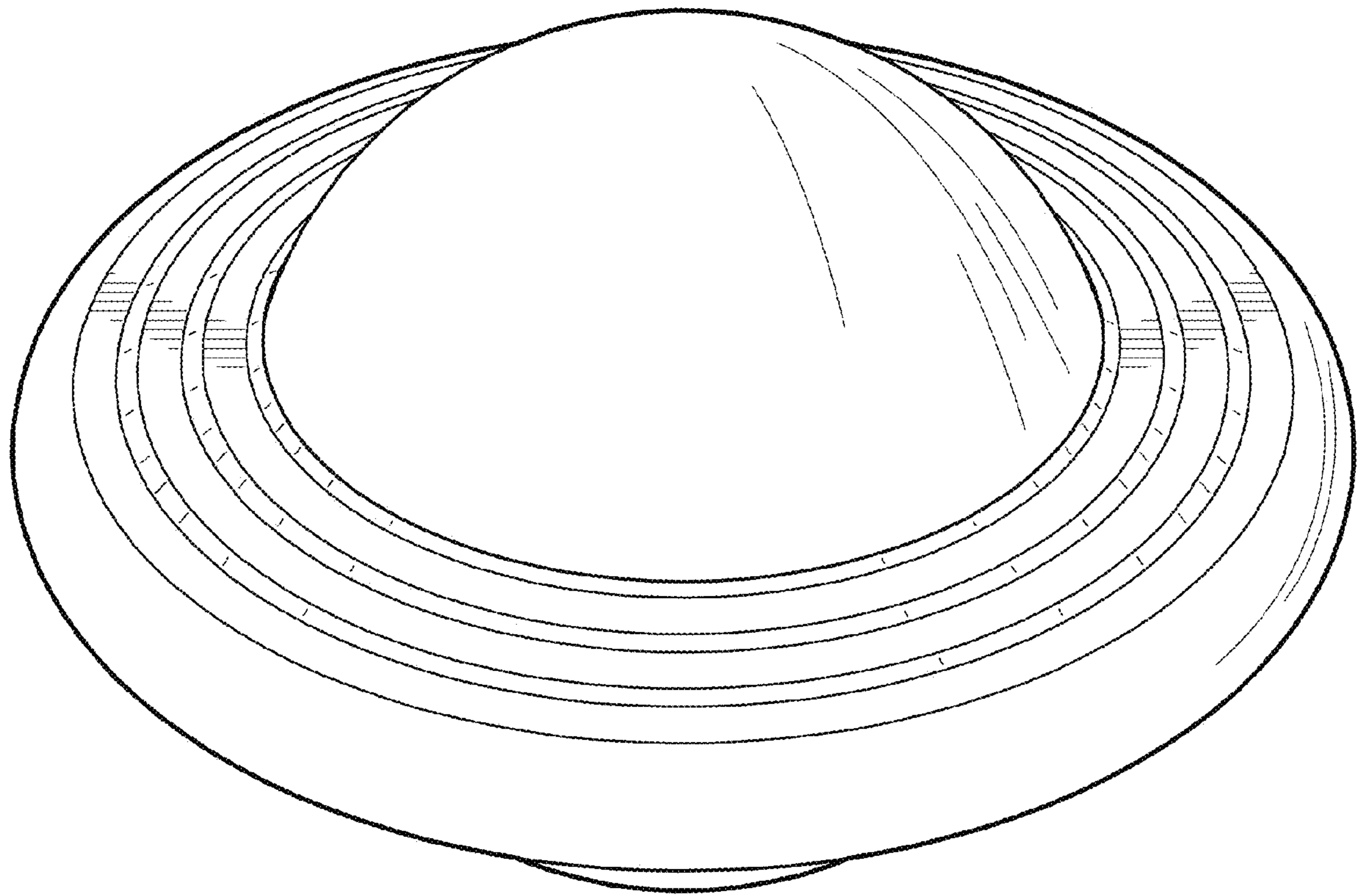


FIG. 47

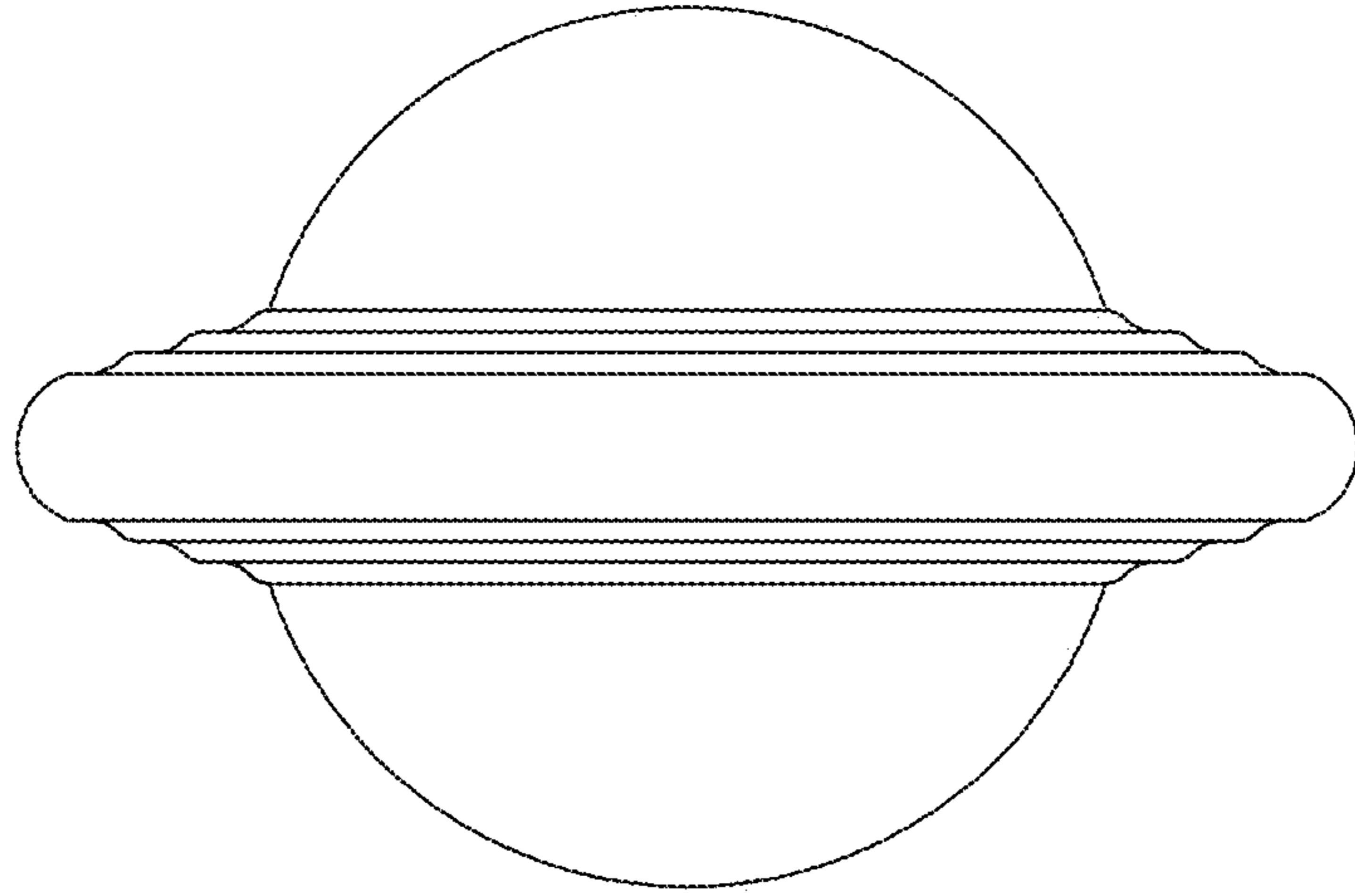


FIG. 48

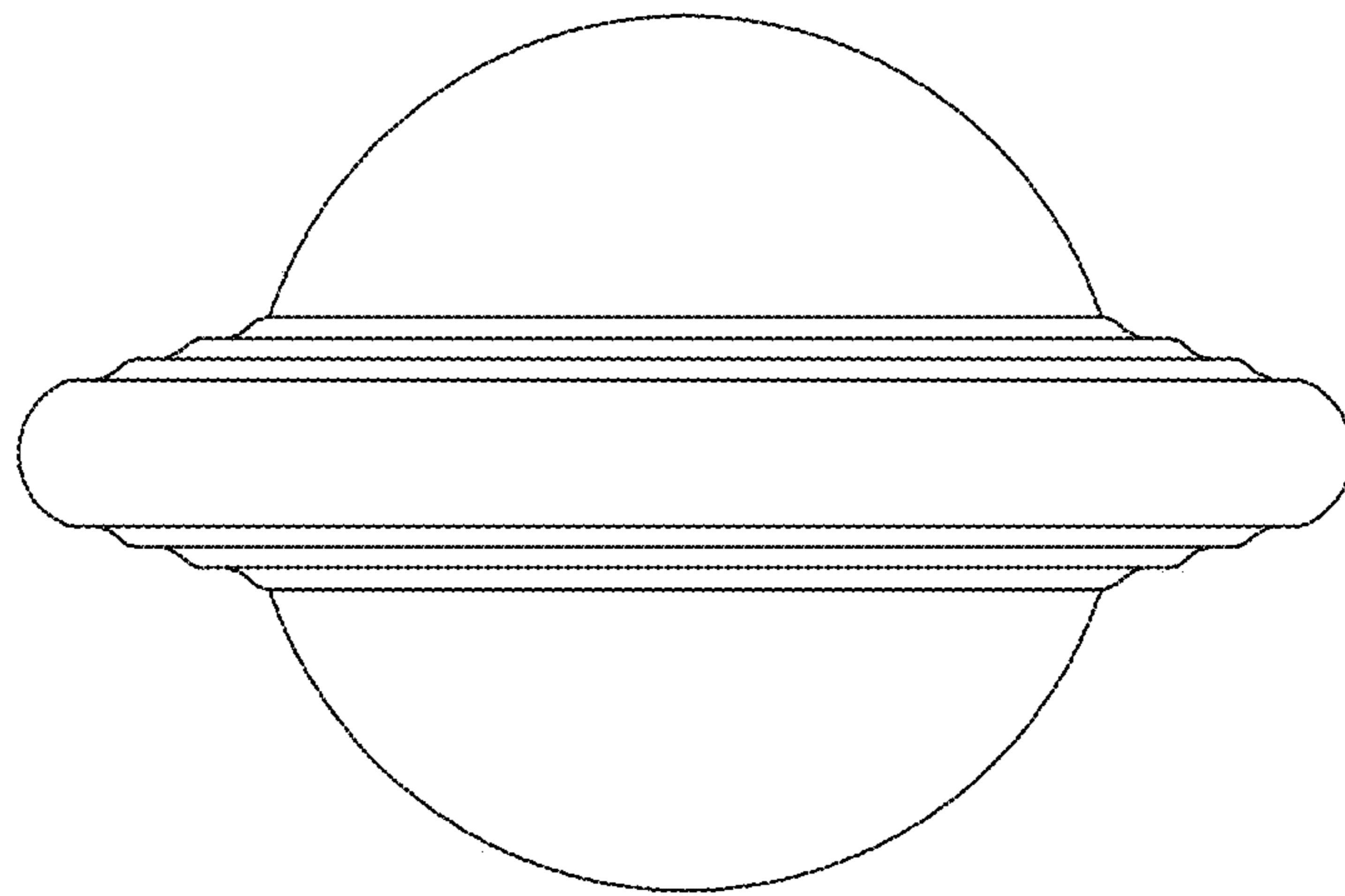
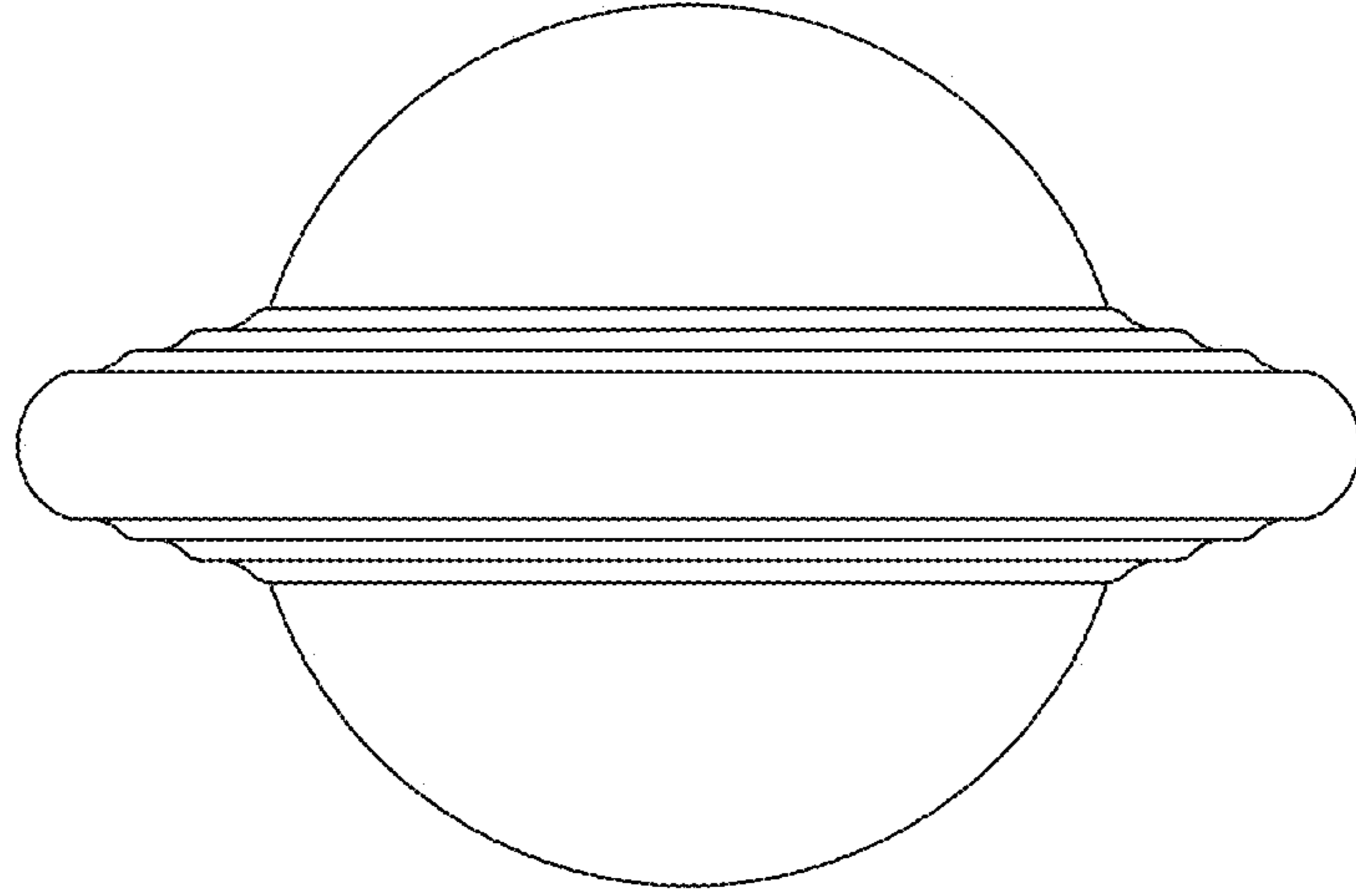
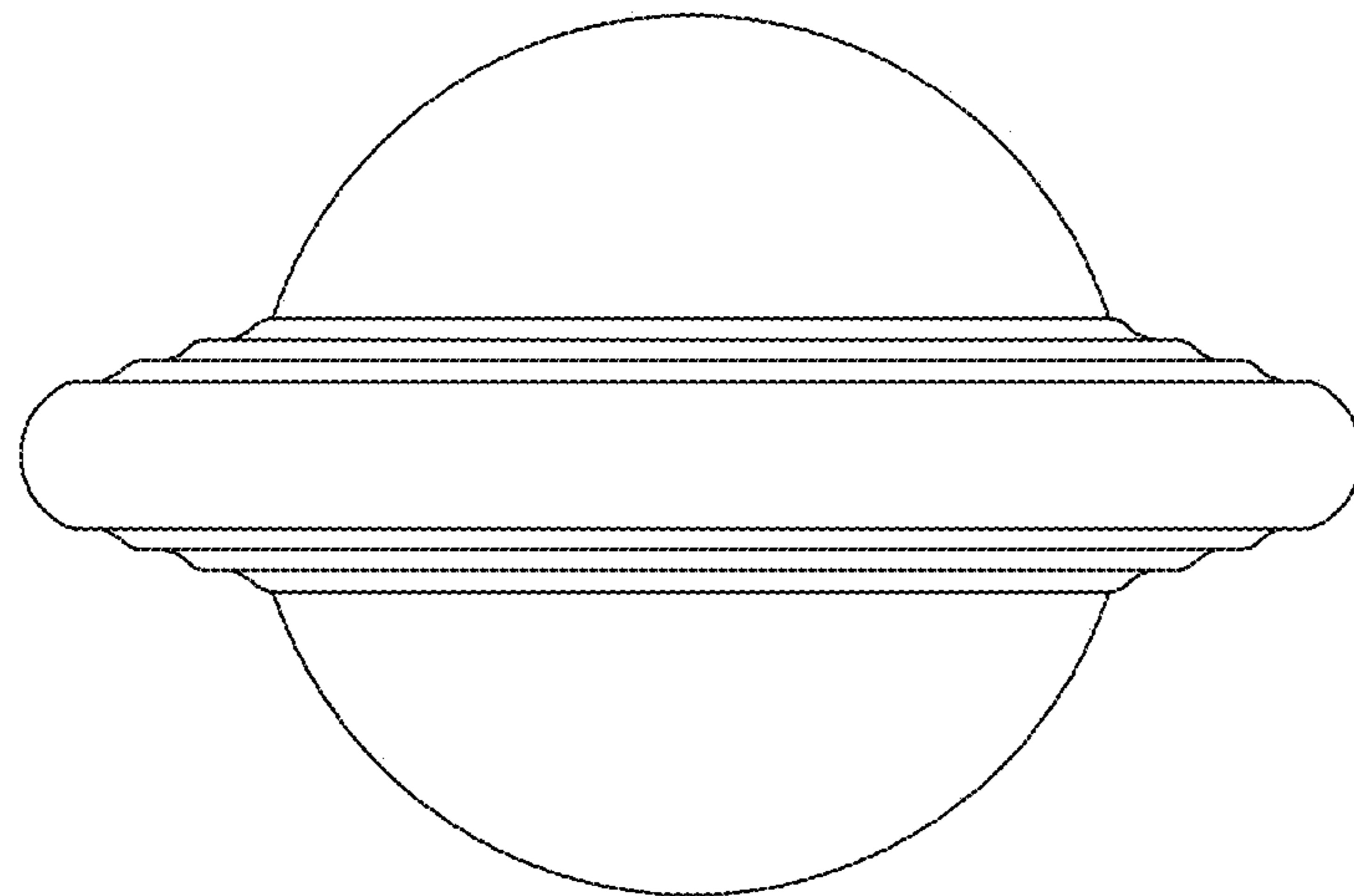


FIG. 49



**FIG. 50**



**FIG. 51**

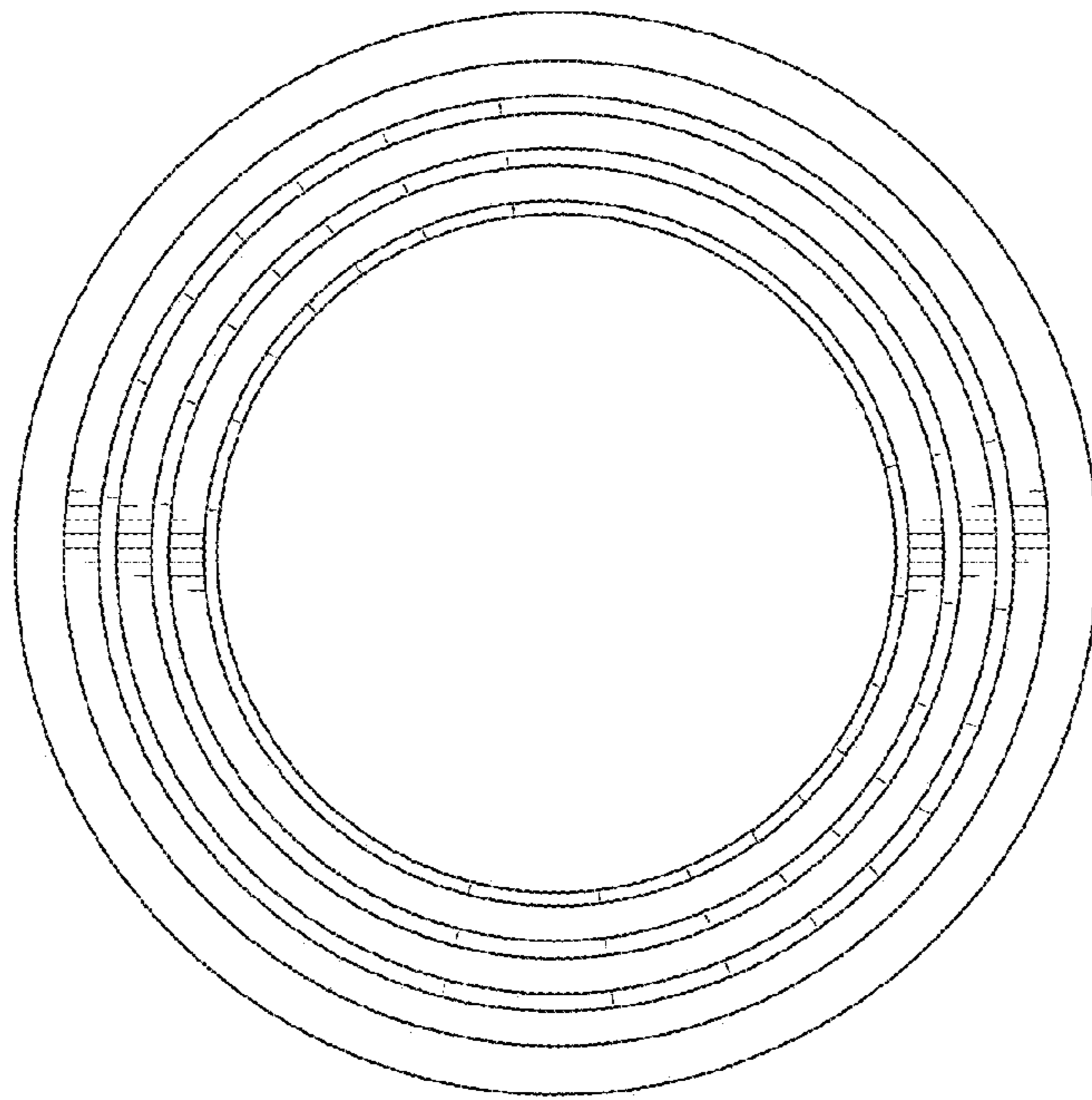


FIG. 52

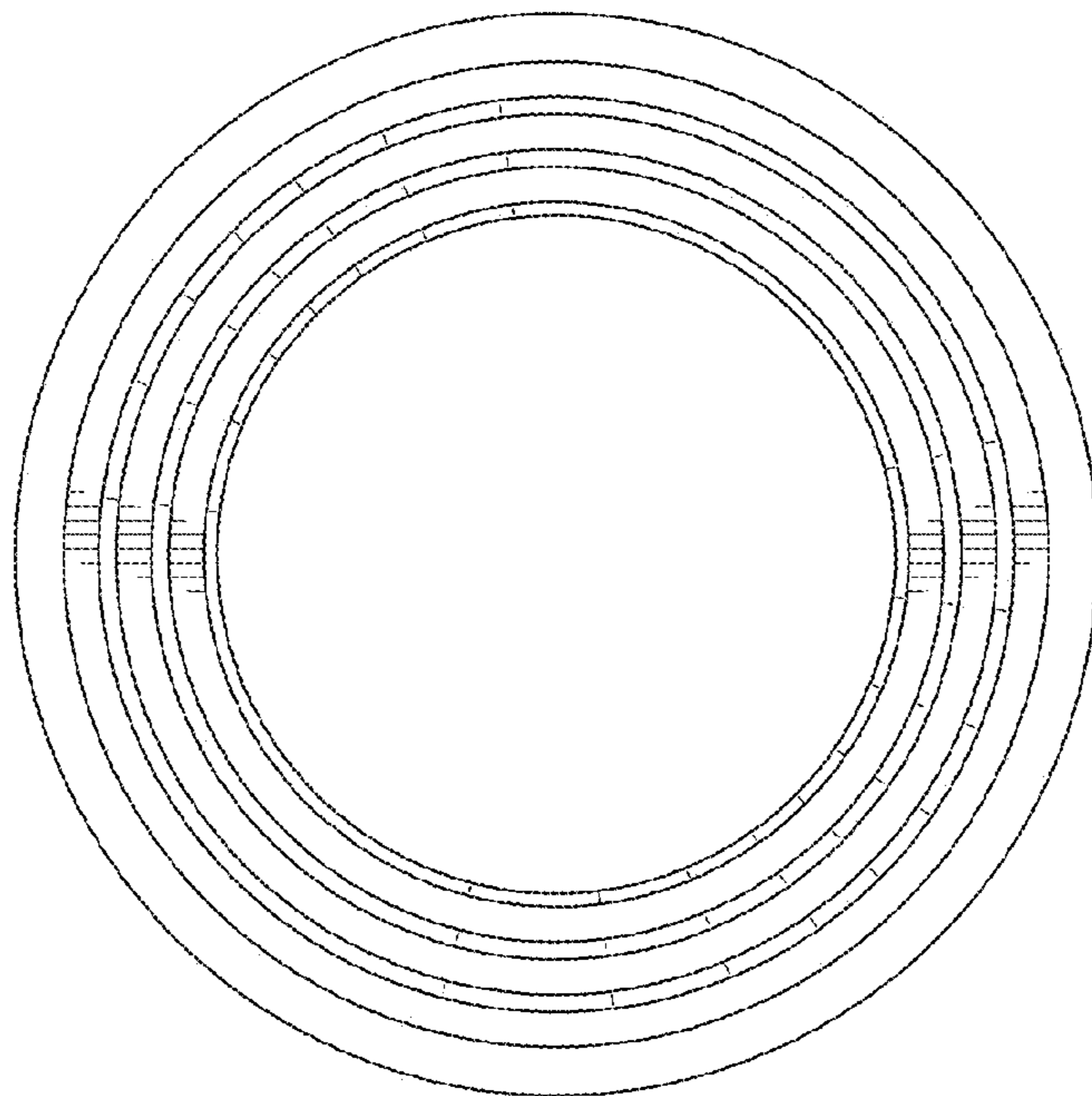


FIG. 53

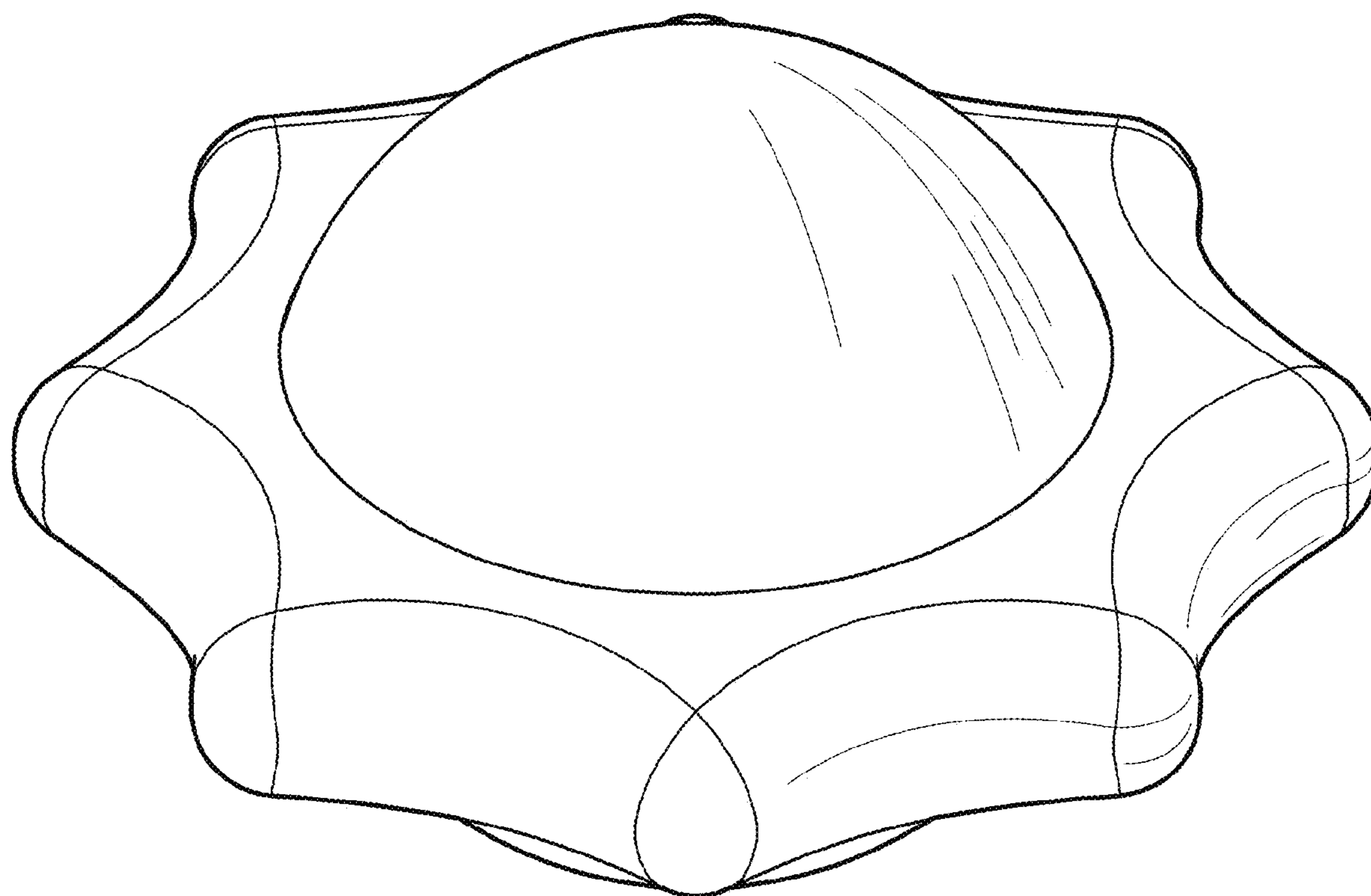


FIG. 54

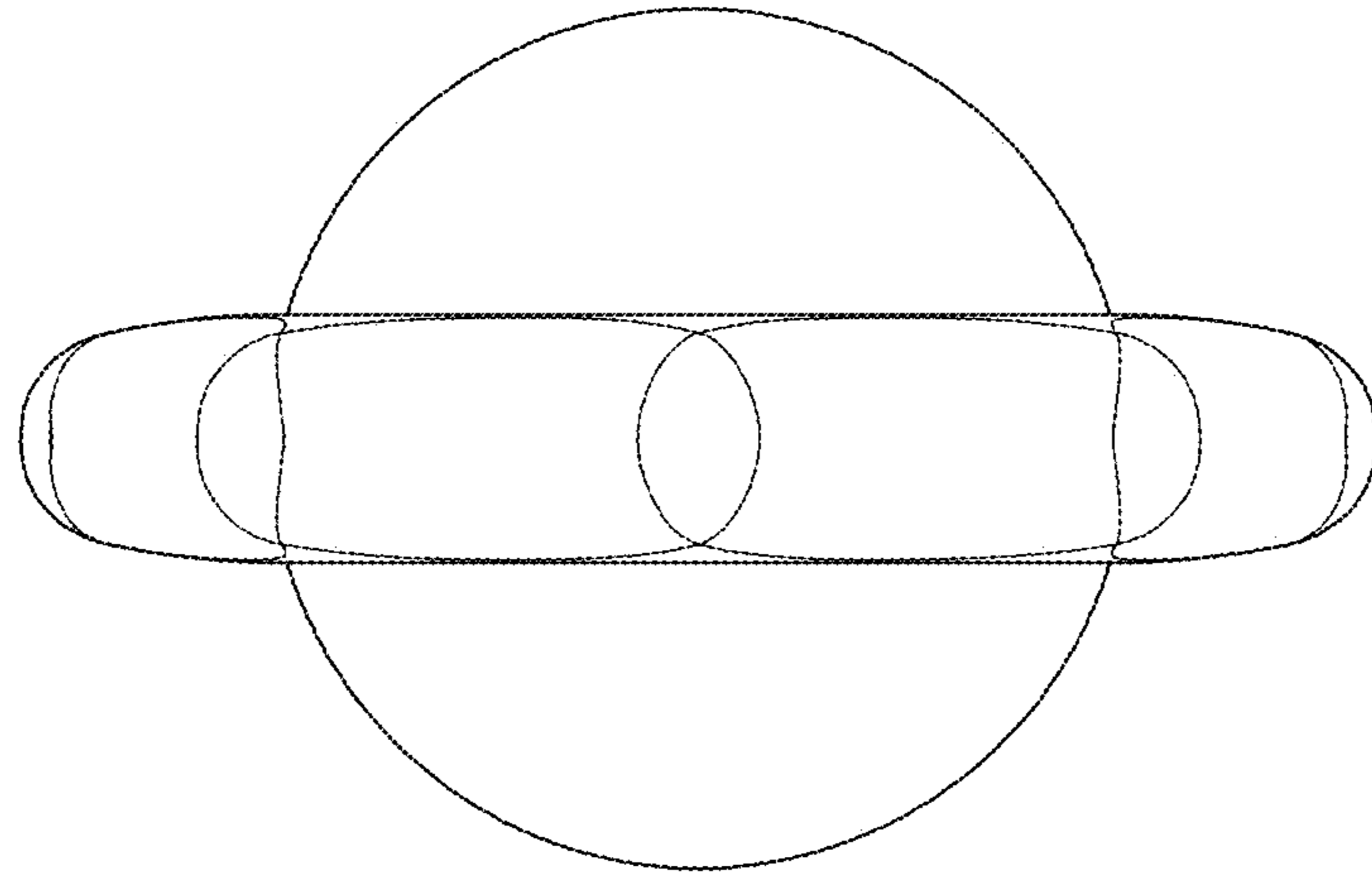


FIG. 55

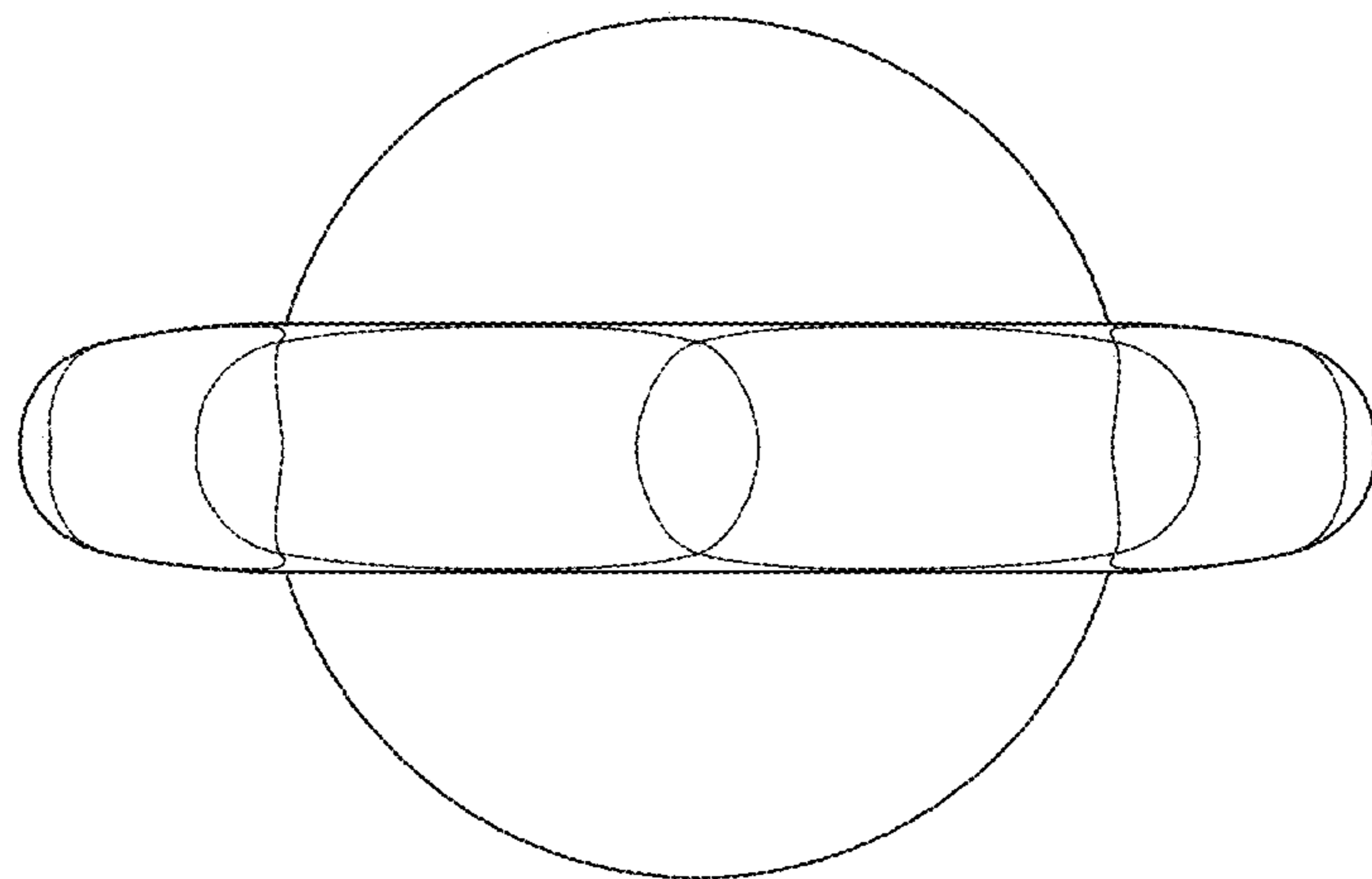
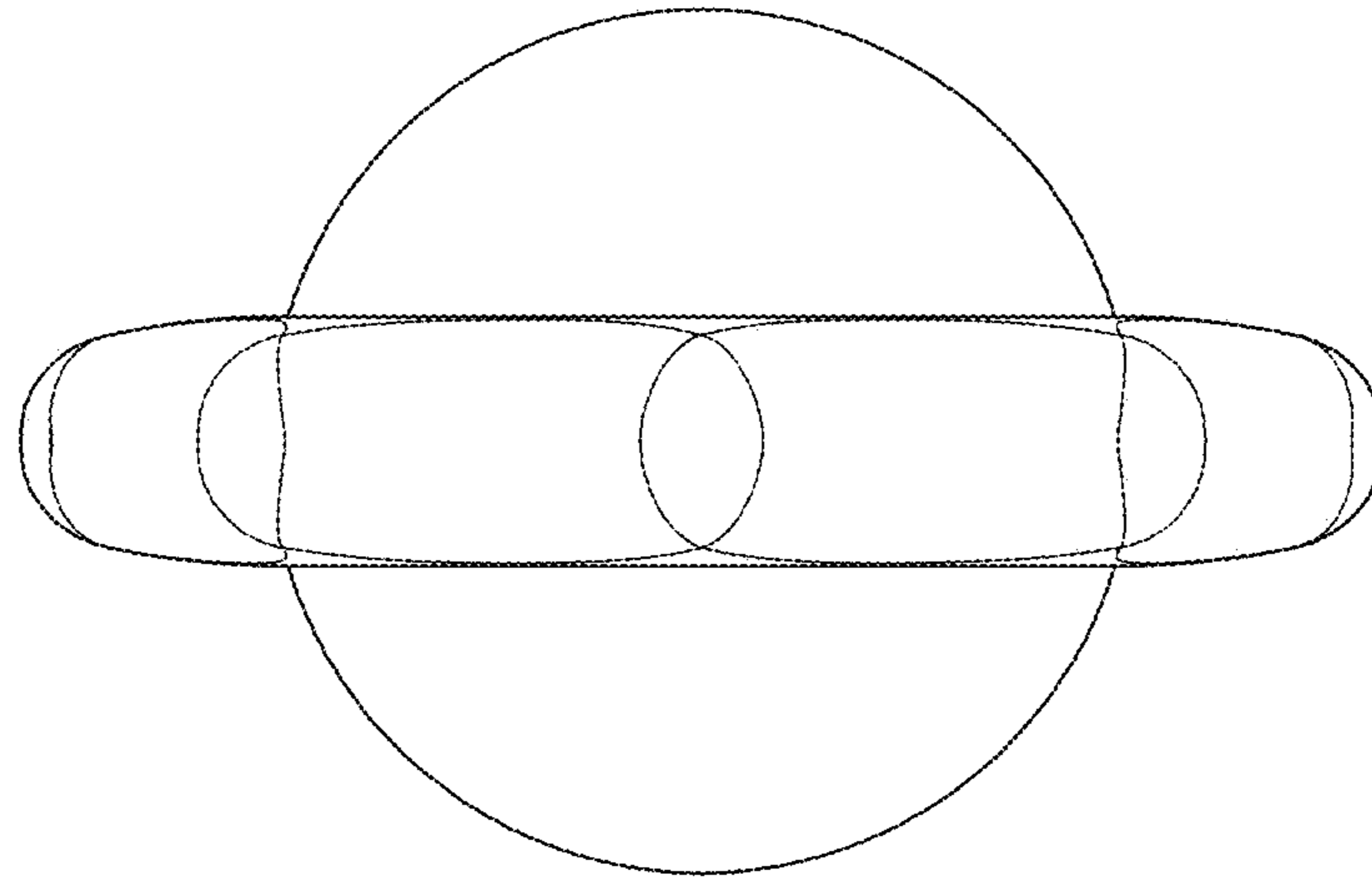
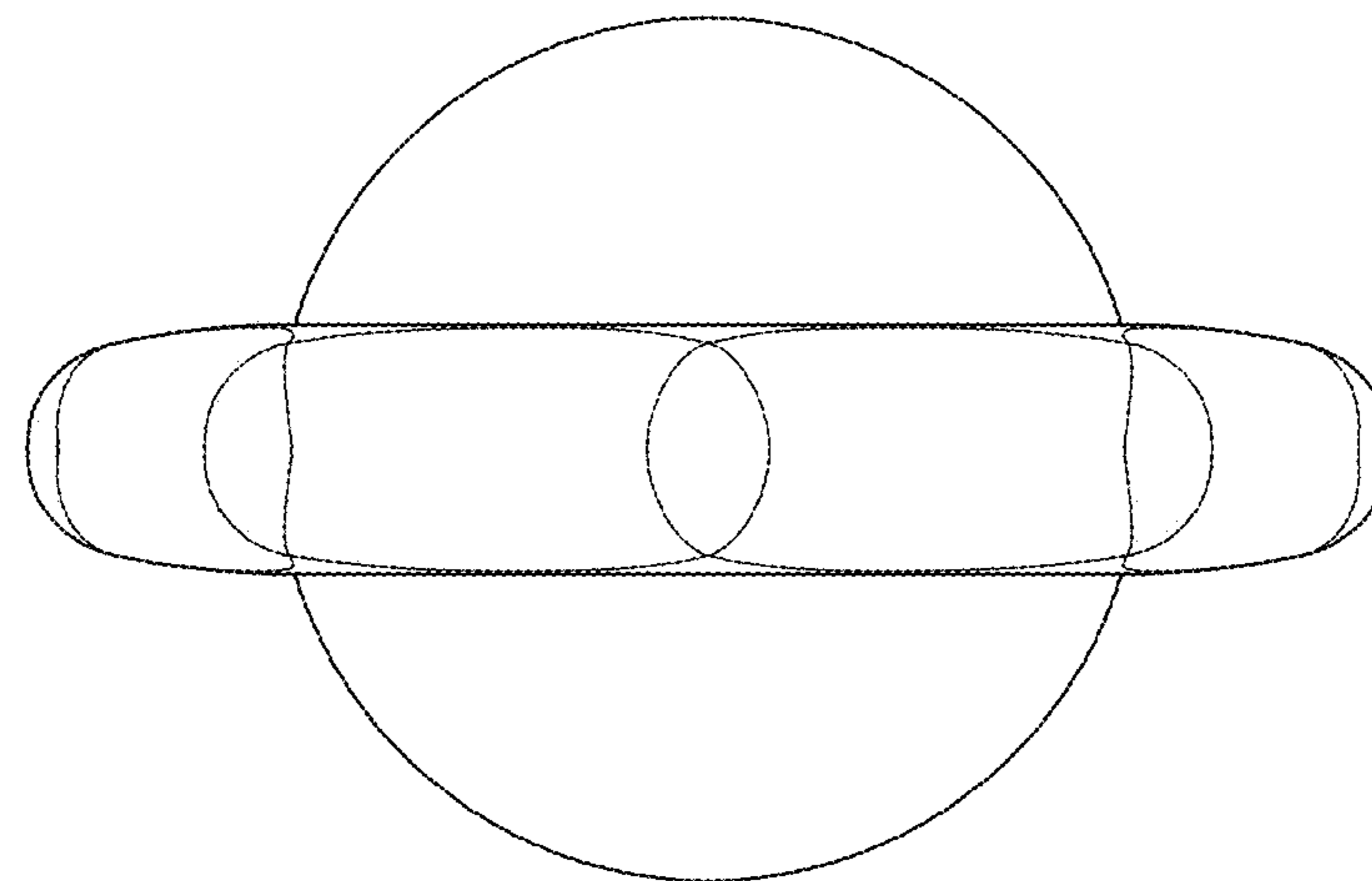


FIG. 56

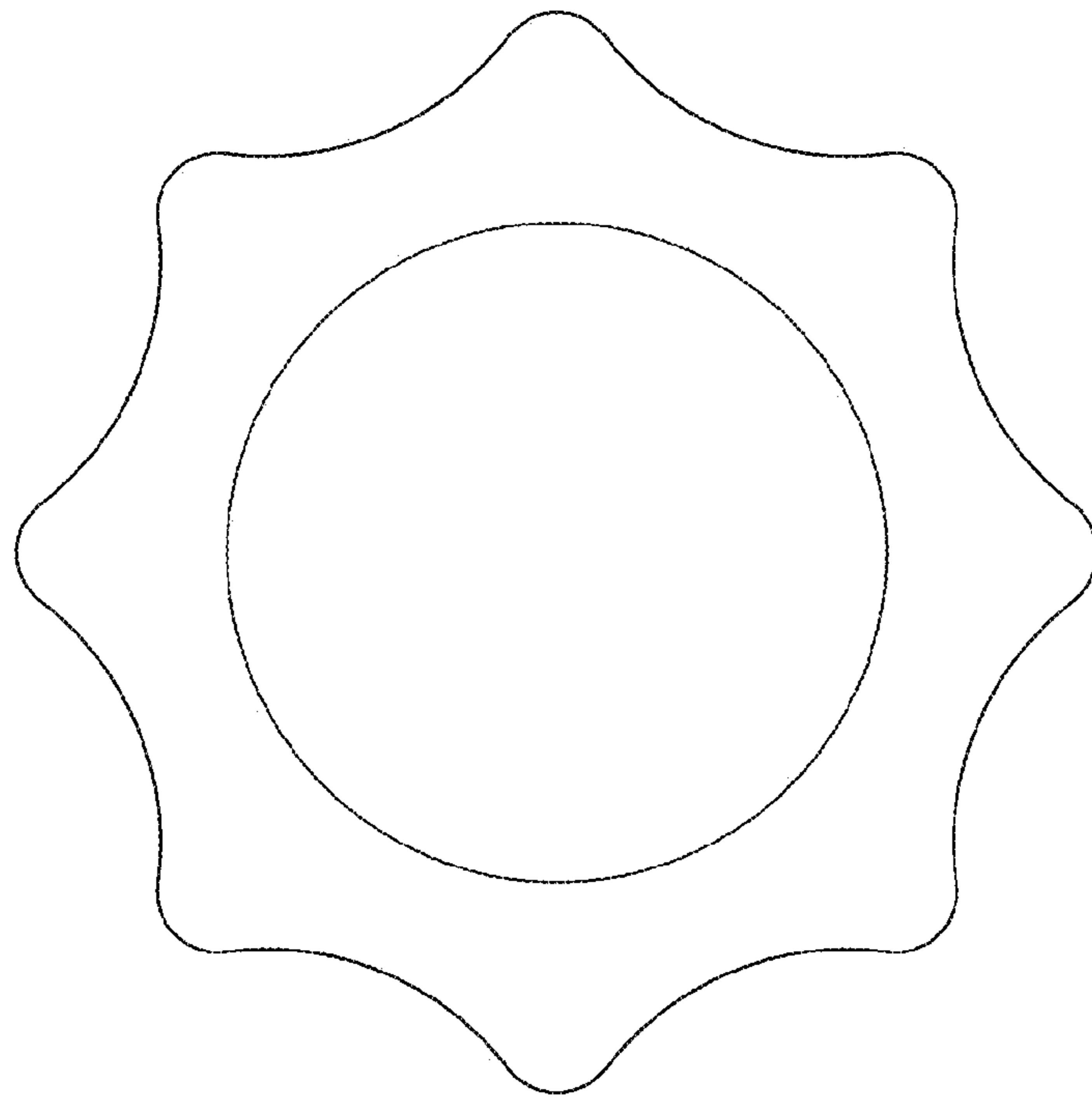


**FIG. 57**

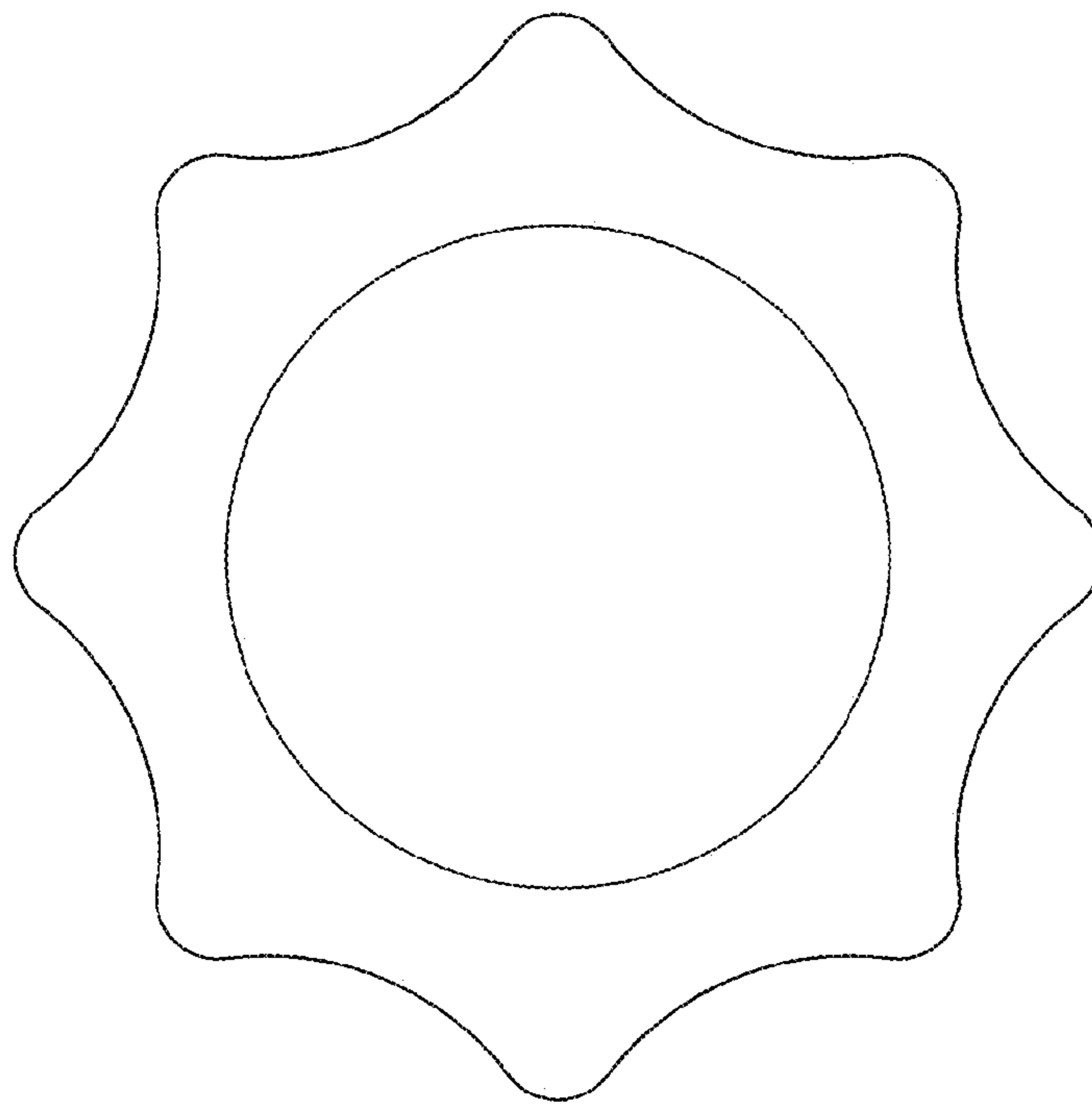


**FIG. 58**





**FIG. 59**



**FIG. 60**

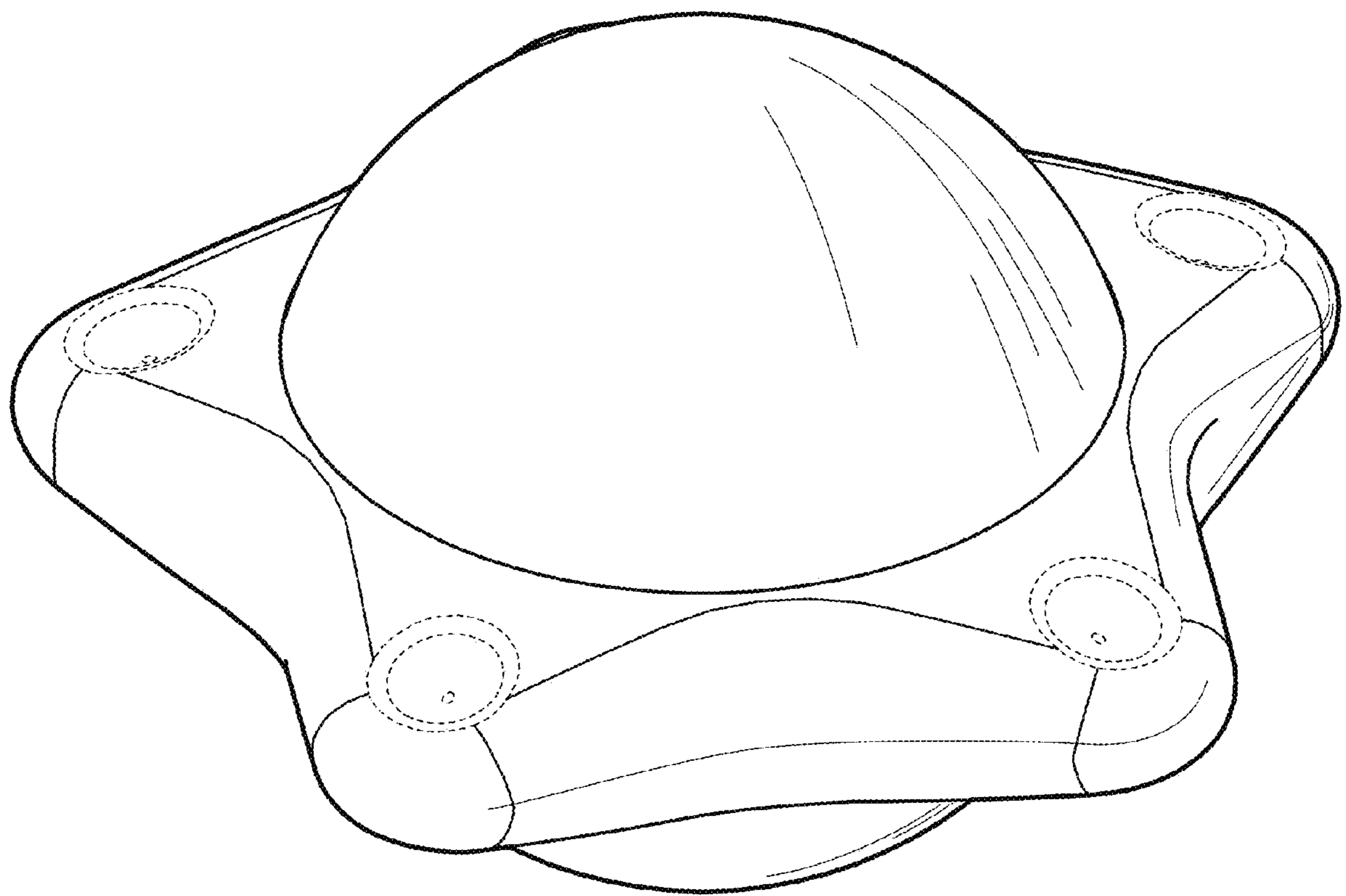


FIG. 61

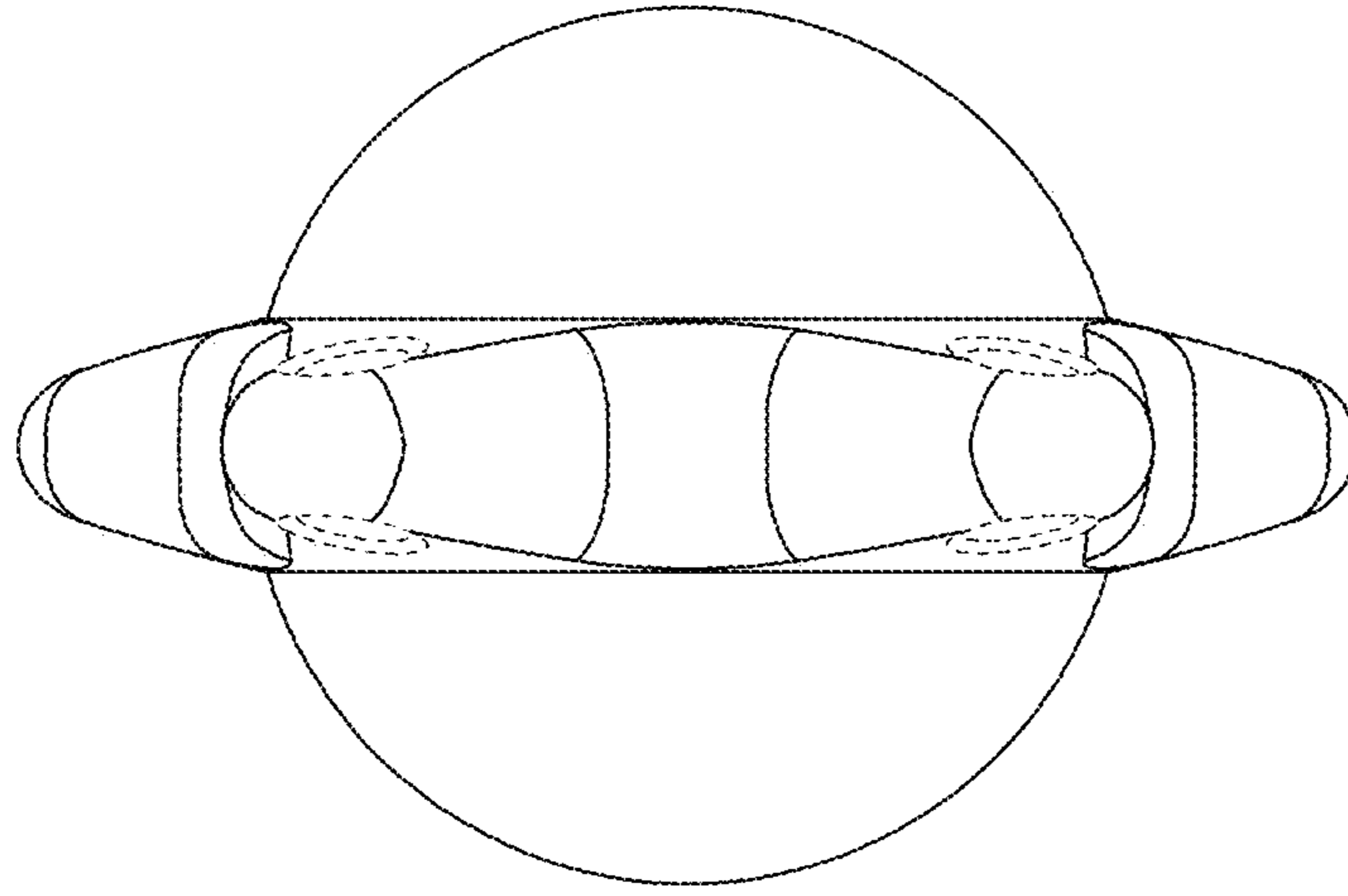


FIG. 62

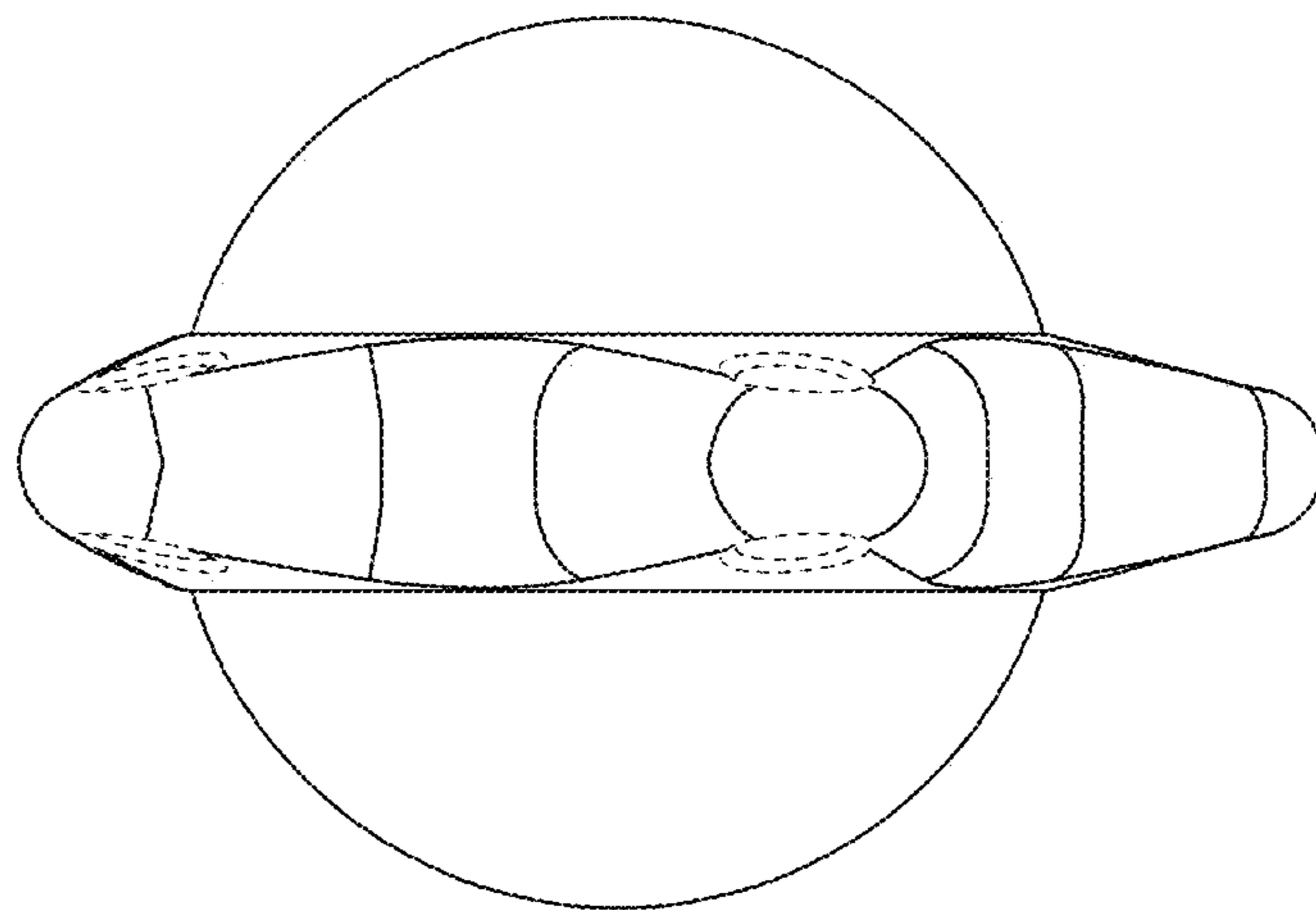


FIG. 63

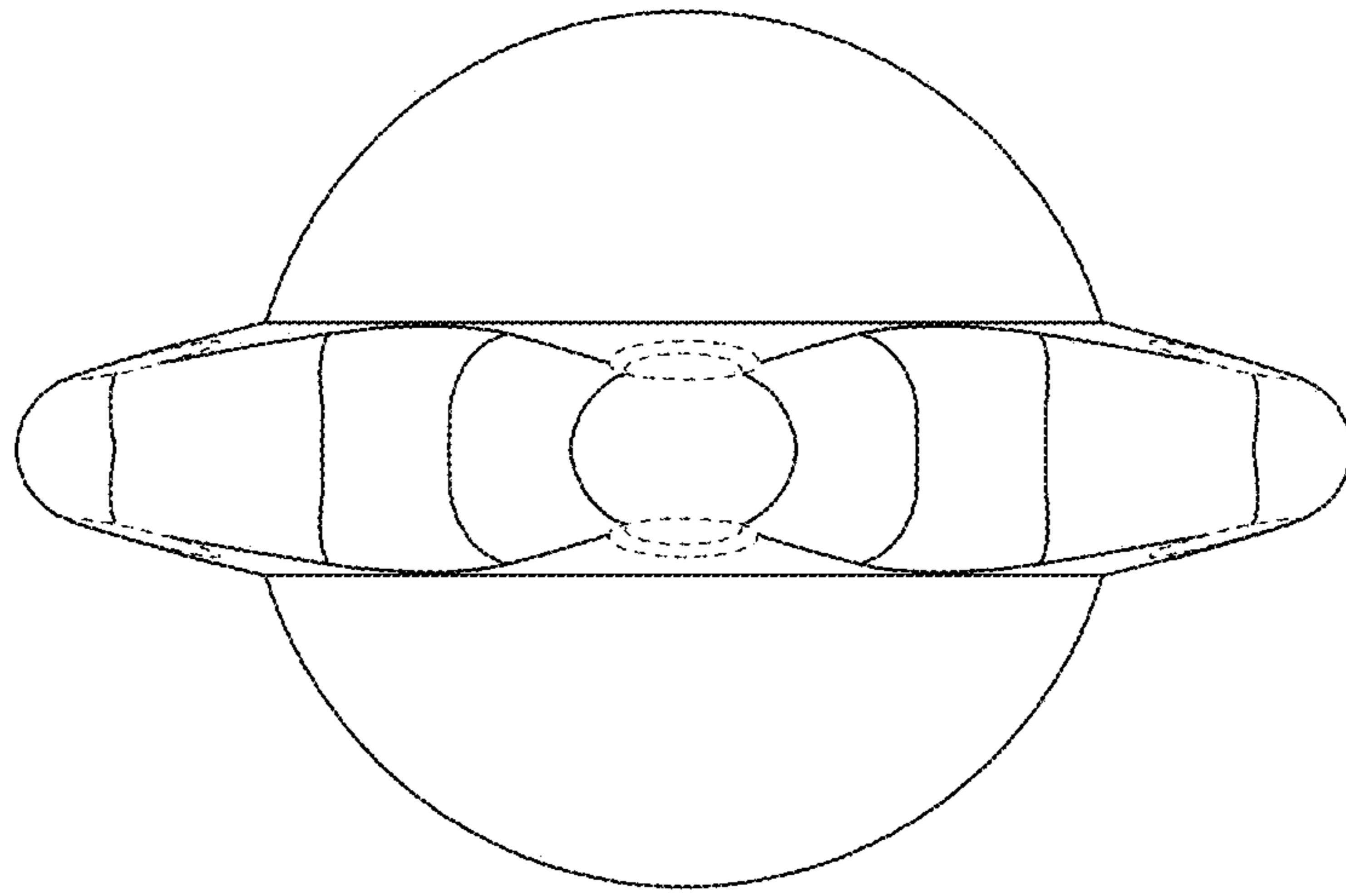


FIG. 64

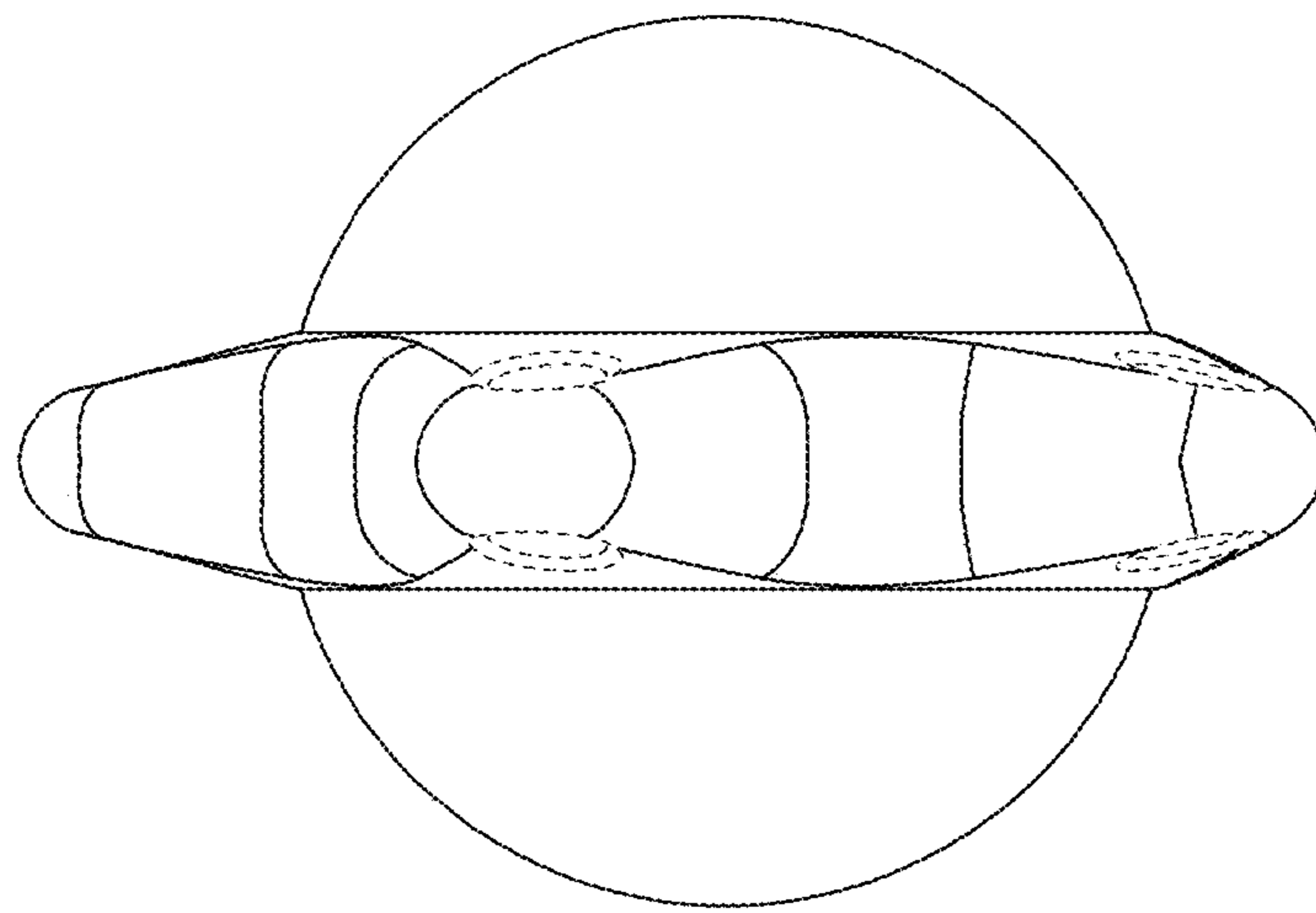


FIG. 65

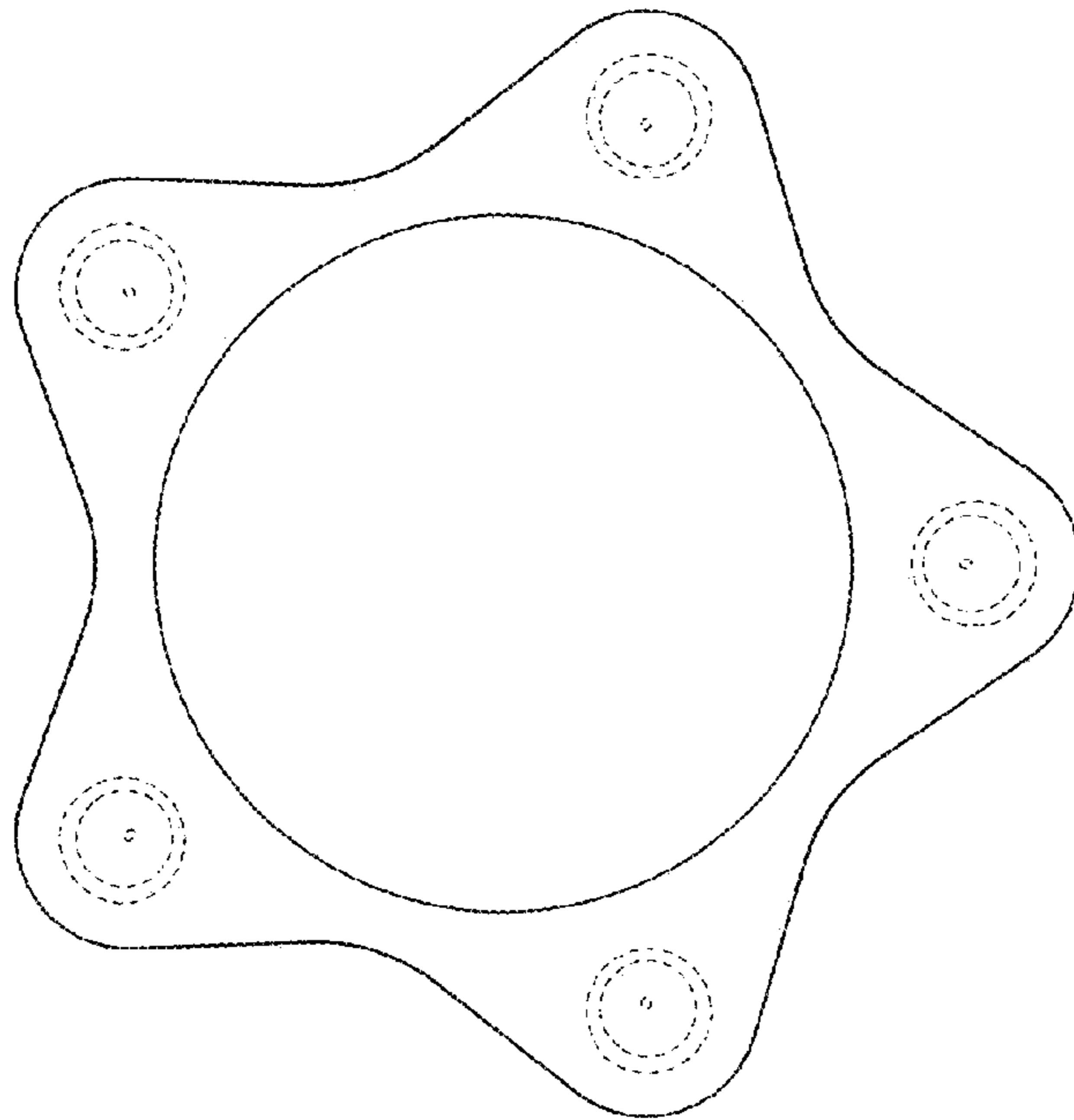


FIG. 66

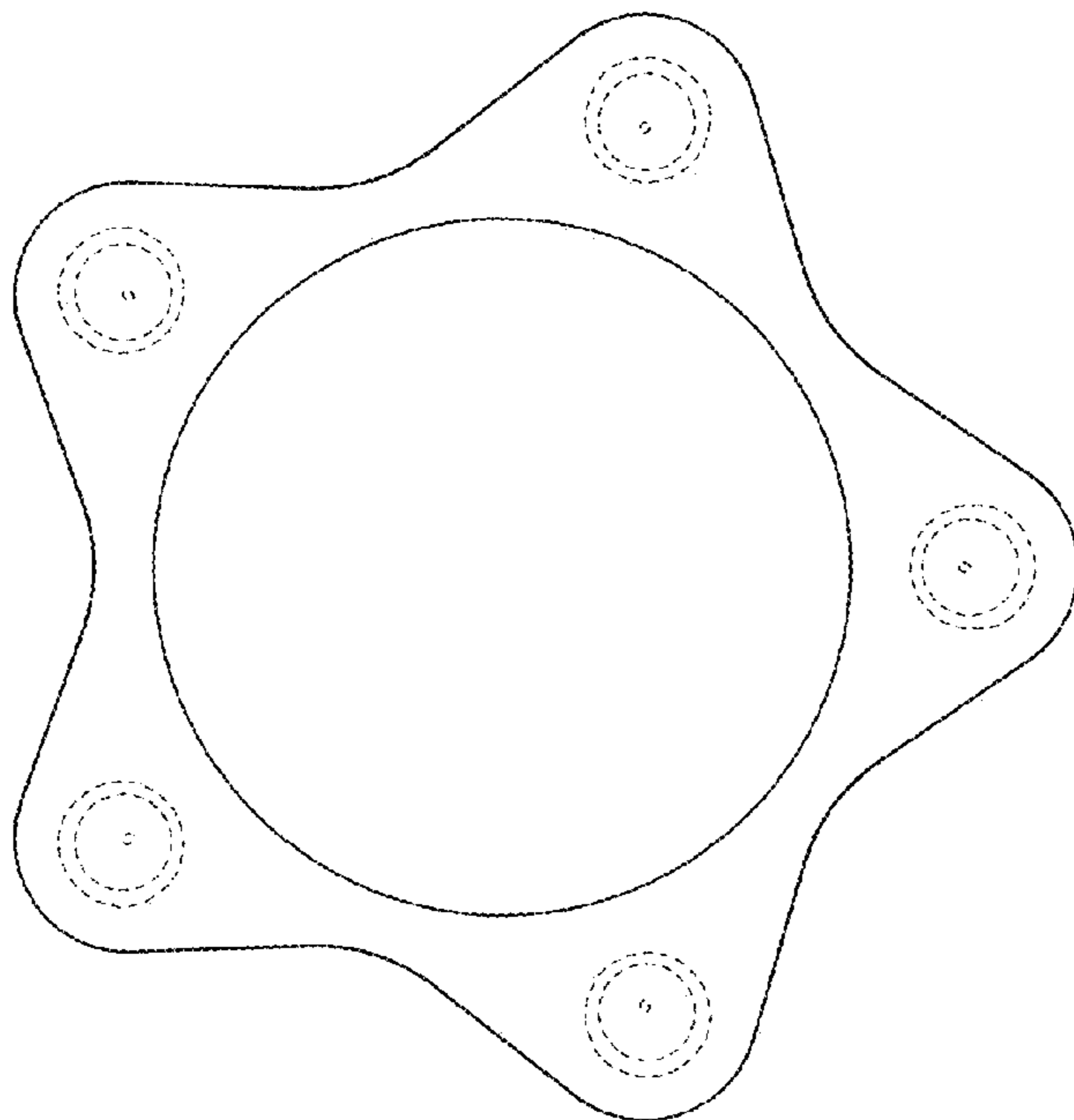


FIG. 67