



US00D965070S

(12) **United States Design Patent**
Wu

(10) **Patent No.:** **US D965,070 S**
(45) **Date of Patent:** **** Sep. 27, 2022**

(54) **TRANSFORMABLE FIDGET SPINNER**

(71) Applicant: **Shenzhen Longguang Zhichuang Technology Co., Ltd.**, Guangdong (CN)

(72) Inventor: **Zhi Wu**, Guangdong (CN)

(73) Assignee: **Shenzhen Longguang Zhichuang Technology Co., Ltd.**, Shenzhen (CN)

(**) Term: **15 Years**

(21) Appl. No.: **29/821,431**

(22) Filed: **Dec. 29, 2021**

(51) **LOC (13) Cl.** **21-01**

(52) **U.S. Cl.**
USPC **D21/455**

(58) **Field of Classification Search**
USPC D21/455, 457, 460, 398, 389, 478, 479, D21/468, 484, 486, 492
CPC ... A63H 5/00; A63H 3/20; A63H 3/16; A63H 33/062; A63F 9/16
See application file for complete search history.

(56) **References Cited**

U.S. PATENT DOCUMENTS

- 4,680,022 A * 7/1987 Hoshino A63H 11/20 74/96
- 5,913,706 A * 6/1999 Glickman A63H 3/16 446/99
- 6,482,063 B1 * 11/2002 Frigard A63H 33/103 446/124
- 6,692,332 B2 * 2/2004 Jheow A63H 3/16 446/383
- 9,004,799 B1 * 4/2015 Tibbits G09B 25/02 403/56
- 9,067,147 B1 * 6/2015 Woodhouse A63H 3/46

- D782,584 S * 3/2017 Cummings D21/610
- D801,440 S * 10/2017 Pavelsky A63H 33/08 D21/455
- D811,930 S * 3/2018 Amfitheatrof G09B 25/02 D11/93
- 9,914,063 B1 * 3/2018 McCoskery A63F 9/16
- D830,471 S 10/2018 Guo
- D834,653 S 11/2018 Shi
- D851,707 S * 6/2019 Ren D21/455
- D872,807 S * 1/2020 Lowsky D21/455
- 2013/0102220 A1 * 4/2013 Wang A63H 33/06 446/124
- 2013/0210314 A1 * 8/2013 Rottjer A63H 33/062 446/124
- 2018/0193763 A1 * 7/2018 Heo A63H 33/08

OTHER PUBLICATIONS

AMAZON.com, YIXI Brand, Fidget spinner, reviewed Jun. 21, 2021.*

* cited by examiner

Primary Examiner — Philip S Hyder

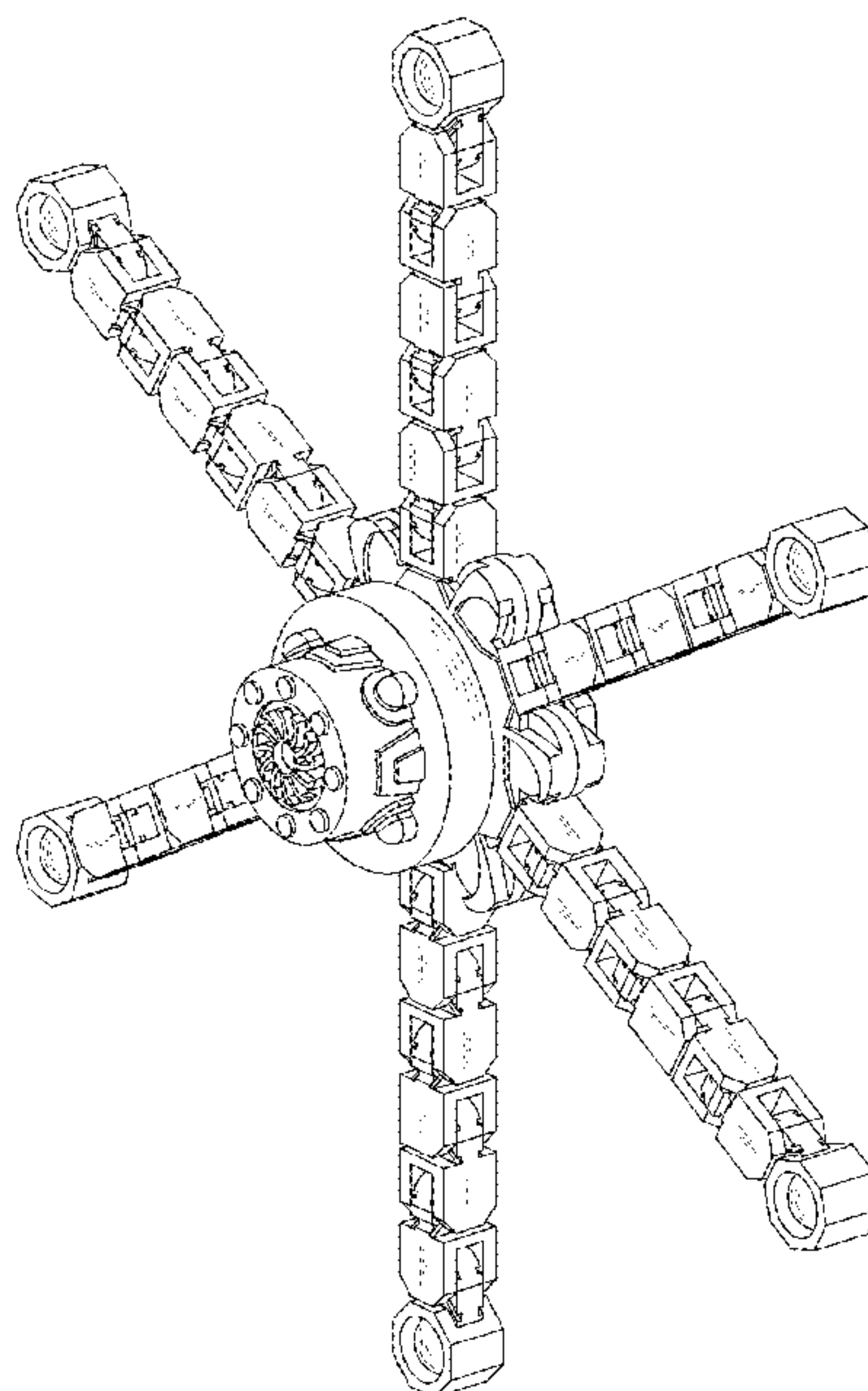
(57) **CLAIM**

The ornamental design for a transformable fidget spinner, as shown and described.

DESCRIPTION

FIG. 1 is a perspective view of a transformable fidget spinner showing my new design;
FIG. 2 is an alternative perspective view thereof;
FIG. 3 is a front view thereof;
FIG. 4 is a rear view thereof;
FIG. 5 is a left side view thereof;
FIG. 6 is a right side view thereof;
FIG. 7 is a top plan view thereof; and,
FIG. 8 is a bottom plan view thereof.

1 Claim, 8 Drawing Sheets



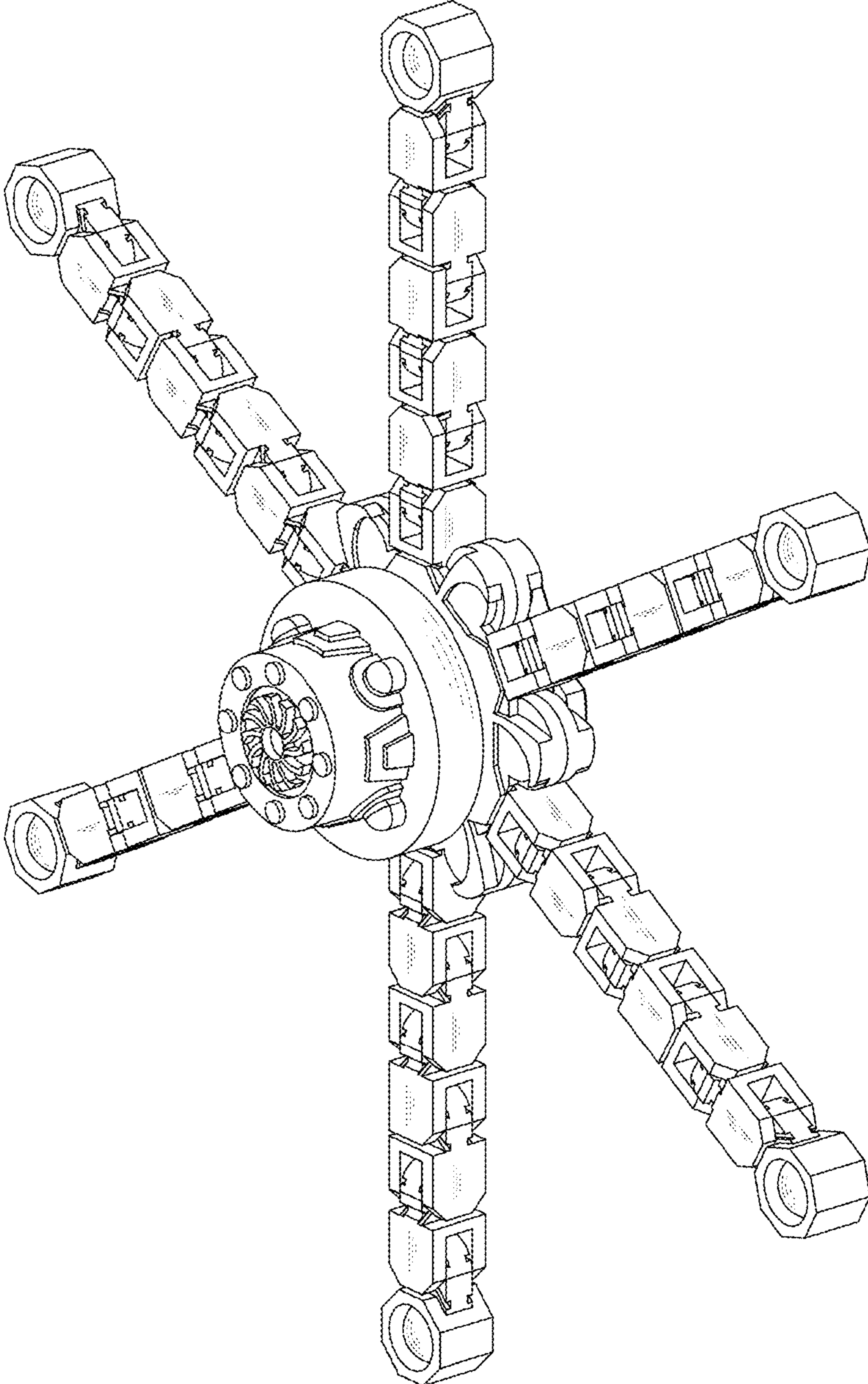


FIG. 1

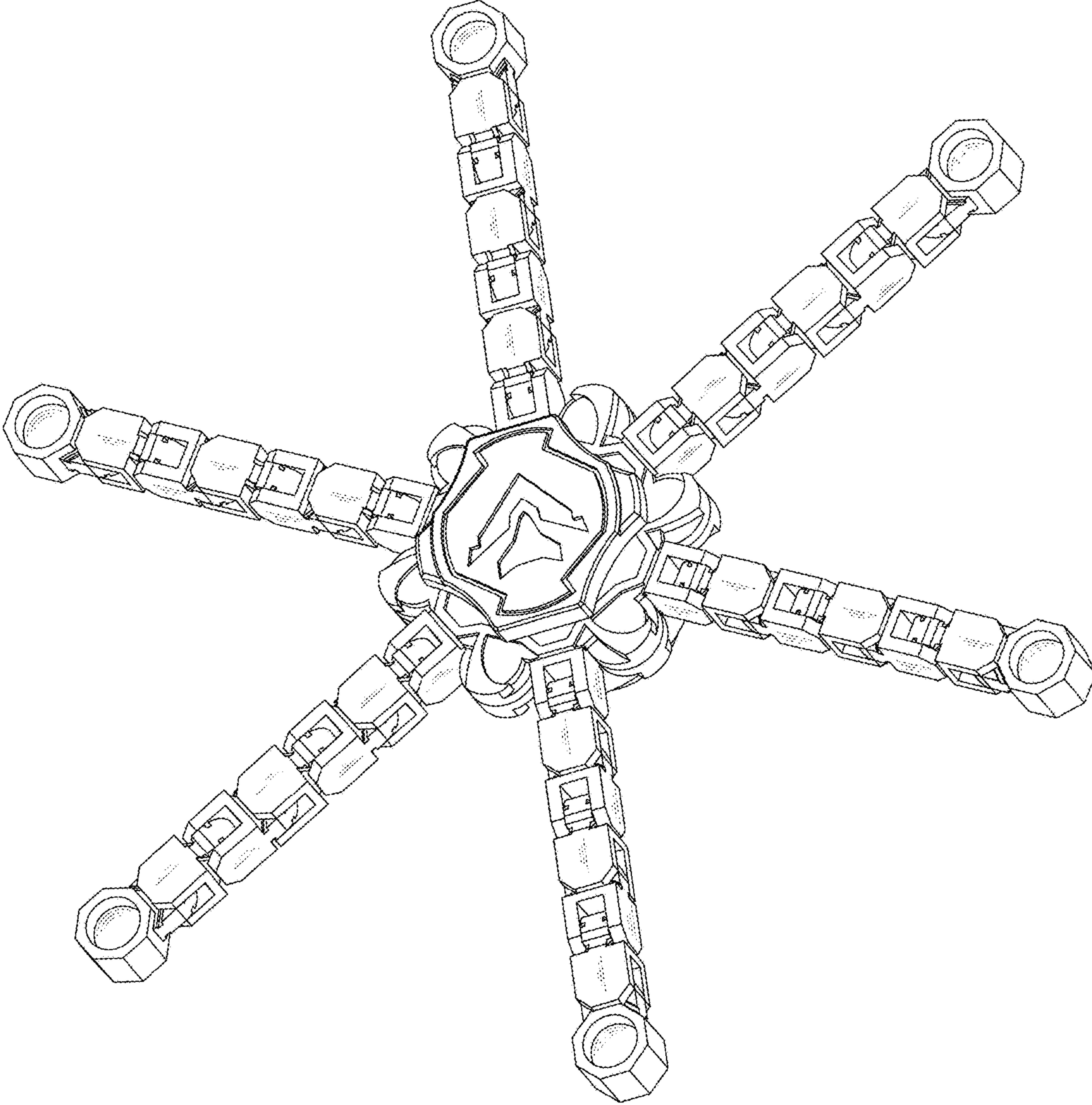


FIG. 2

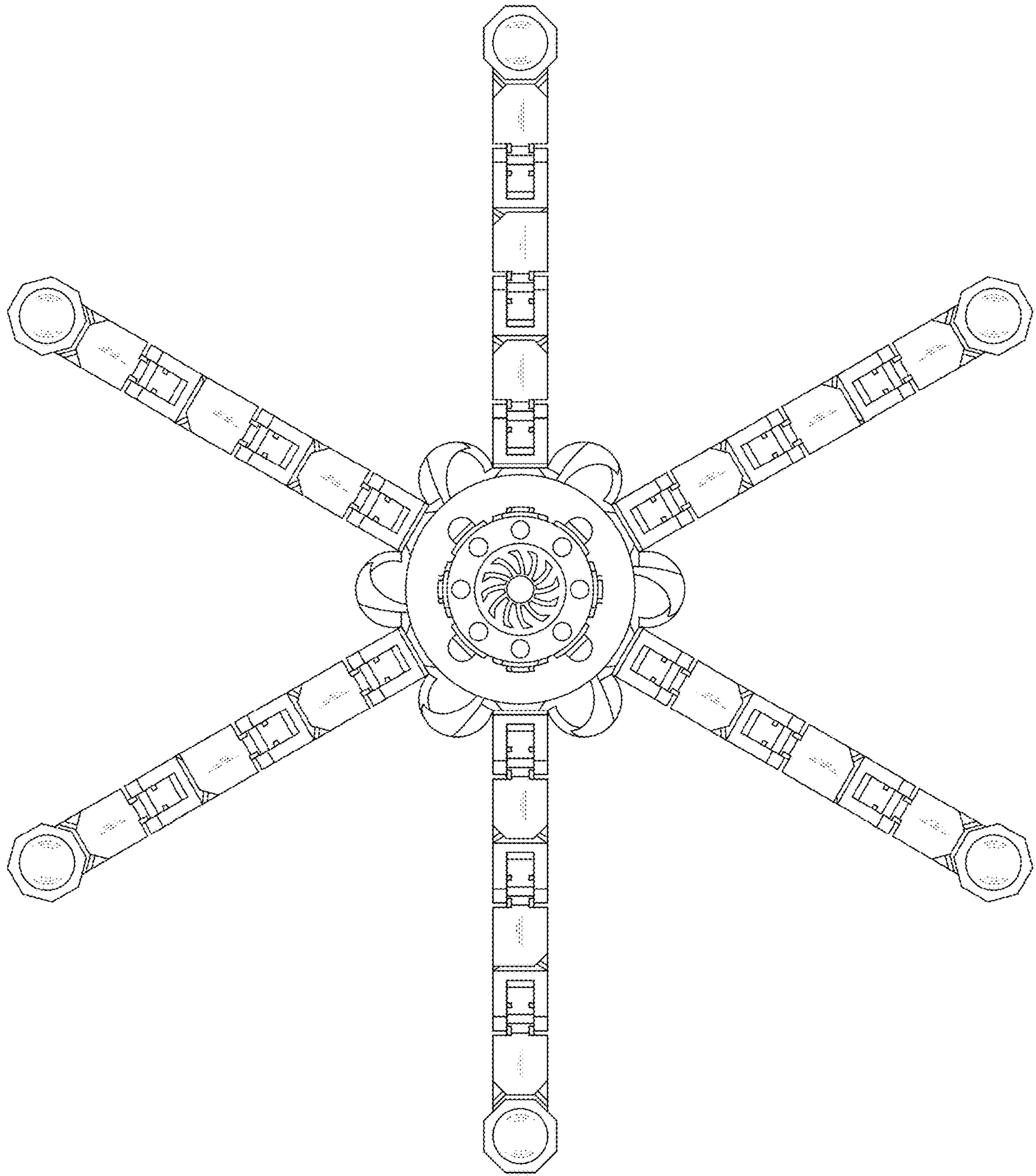


FIG. 3

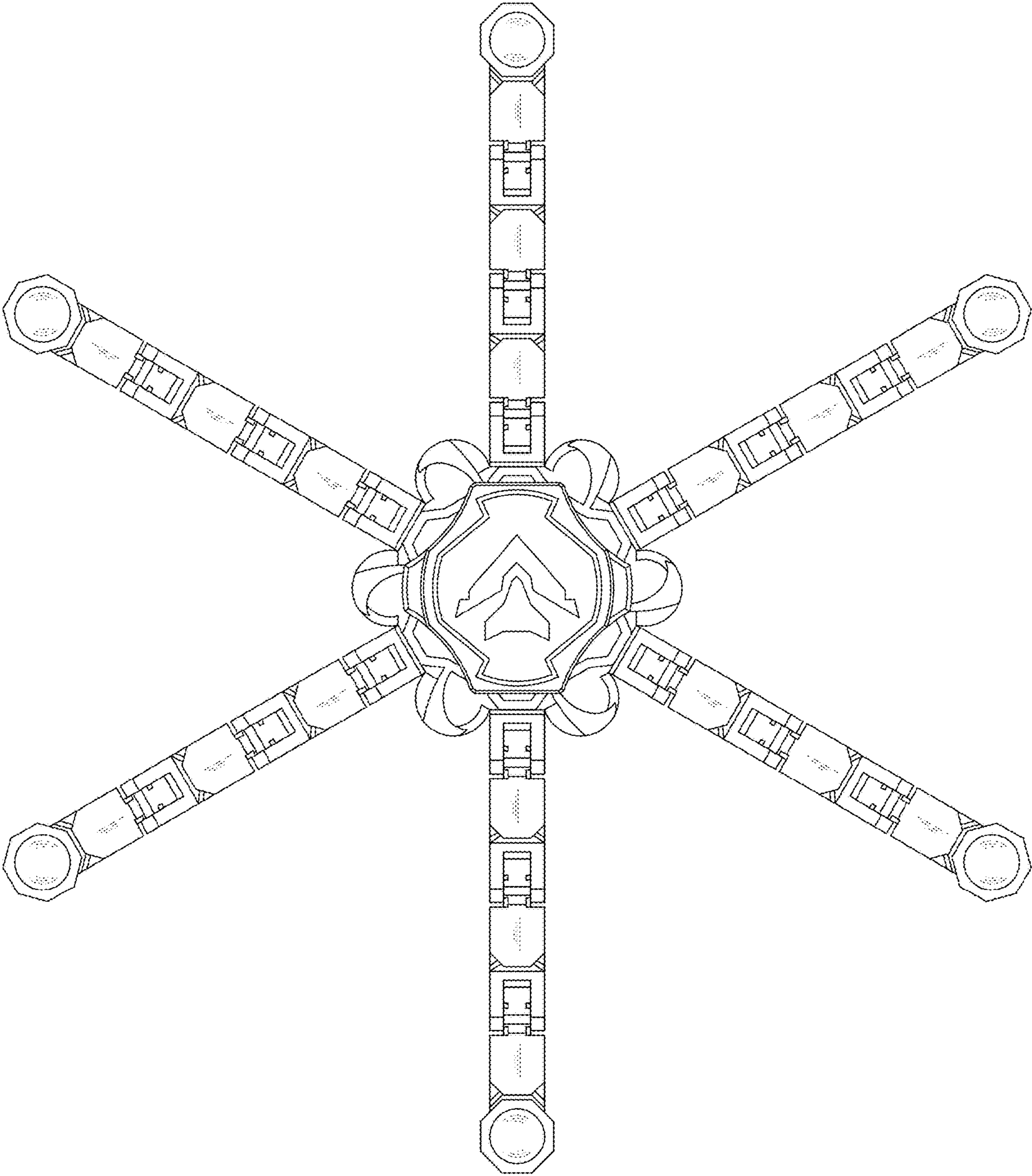


FIG. 4

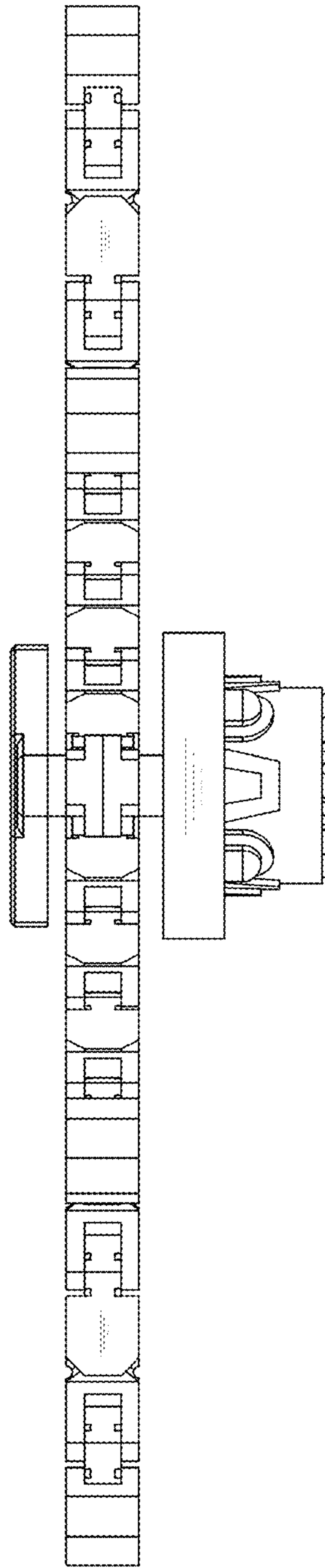


FIG. 5

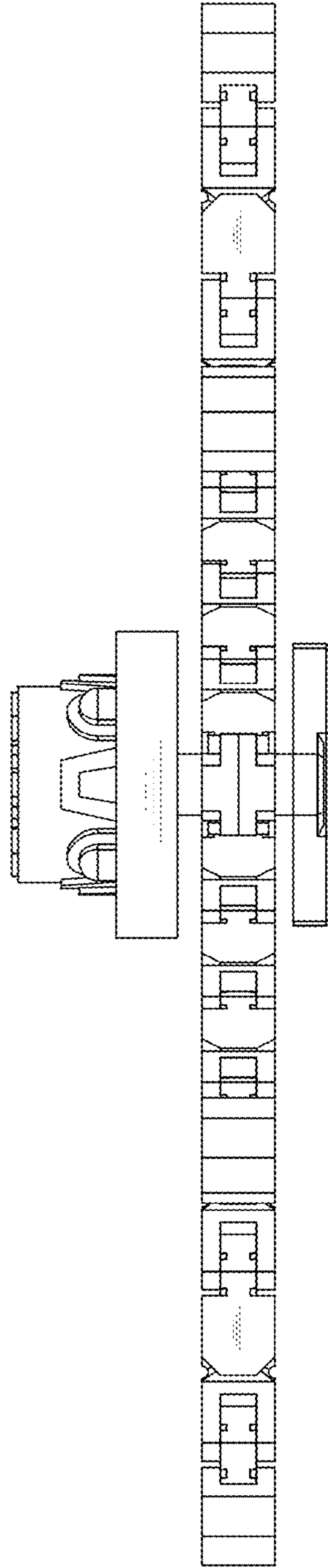


FIG. 6

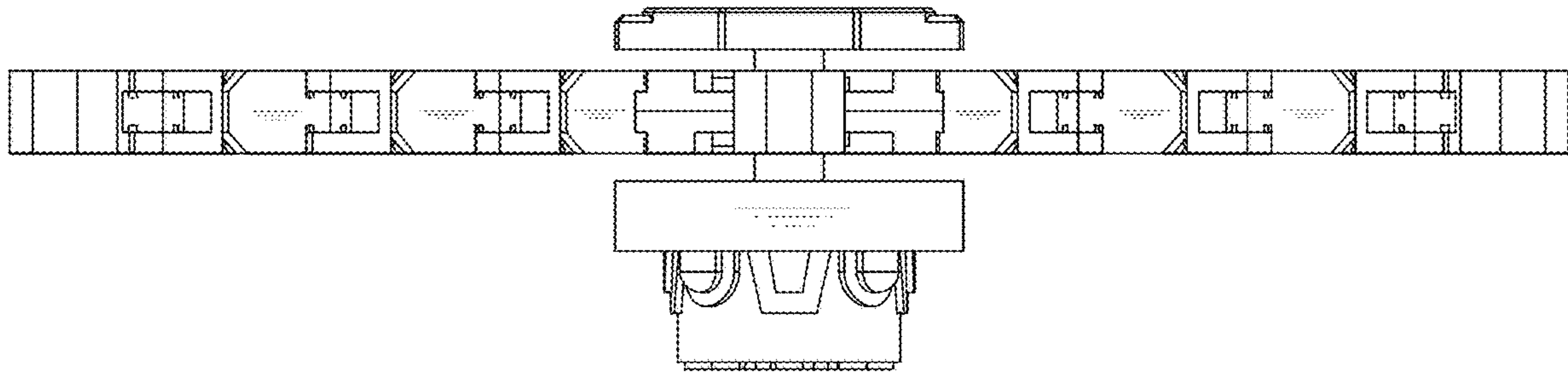


FIG. 7

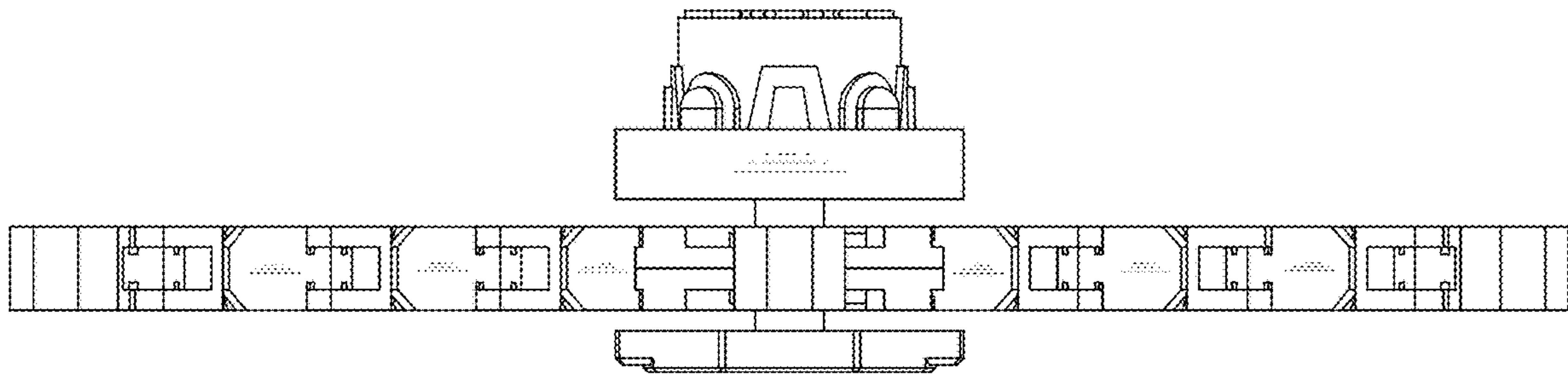


FIG. 8