



US00D965068S

(12) **United States Design Patent**  
**Wang**

(10) **Patent No.:** **US D965,068 S**

(45) **Date of Patent:** **\*\* Sep. 27, 2022**

(54) **FRISBEE BALL**  
(71) Applicant: **Nineways Information Technology (Dongguan) Co., Ltd, Dongguan (CN)**  
(72) Inventor: **Jiabin Wang, Dongguan (CN)**  
(\*\*) Term: **15 Years**  
(21) Appl. No.: **29/768,888**

D412,768 S \* 8/1999 Huettner ..... D30/160  
D503,953 S \* 4/2005 Holgate ..... D21/453  
D526,029 S \* 8/2006 Ragonetti ..... A01K 15/025  
D21/455  
D536,396 S \* 2/2007 Crane ..... D21/444  
D725,713 S \* 3/2015 Thompson ..... D21/443  
D756,044 S \* 5/2016 Anderson ..... D30/160  
D859,536 S \* 9/2019 Cope ..... D21/443  
D874,747 S \* 2/2020 Nguyen ..... D30/160  
D890,455 S \* 7/2020 Wolfe, Jr. .... D30/160  
D891,008 S \* 7/2020 Zeng ..... D30/160

\* cited by examiner

(22) Filed: **Feb. 2, 2021**  
(51) **LOC (13) Cl.** ..... **21-02**  
(52) **U.S. Cl.**  
USPC ..... **D21/443; D30/160**  
(58) **Field of Classification Search**  
USPC ..... D12/1-4, 16.1, 319-345; D21/436-454;  
D30/160  
CPC ..... B64C 39/024; B64C 13/16; B64C 19/00;  
B64C 2201/021; B64C 2201/141; B64H  
1/3442  
See application file for complete search history.

*Primary Examiner* — John A Voytek

(57) **CLAIM**

The ornamental design for a frisbee ball, as shown and described.

**DESCRIPTION**

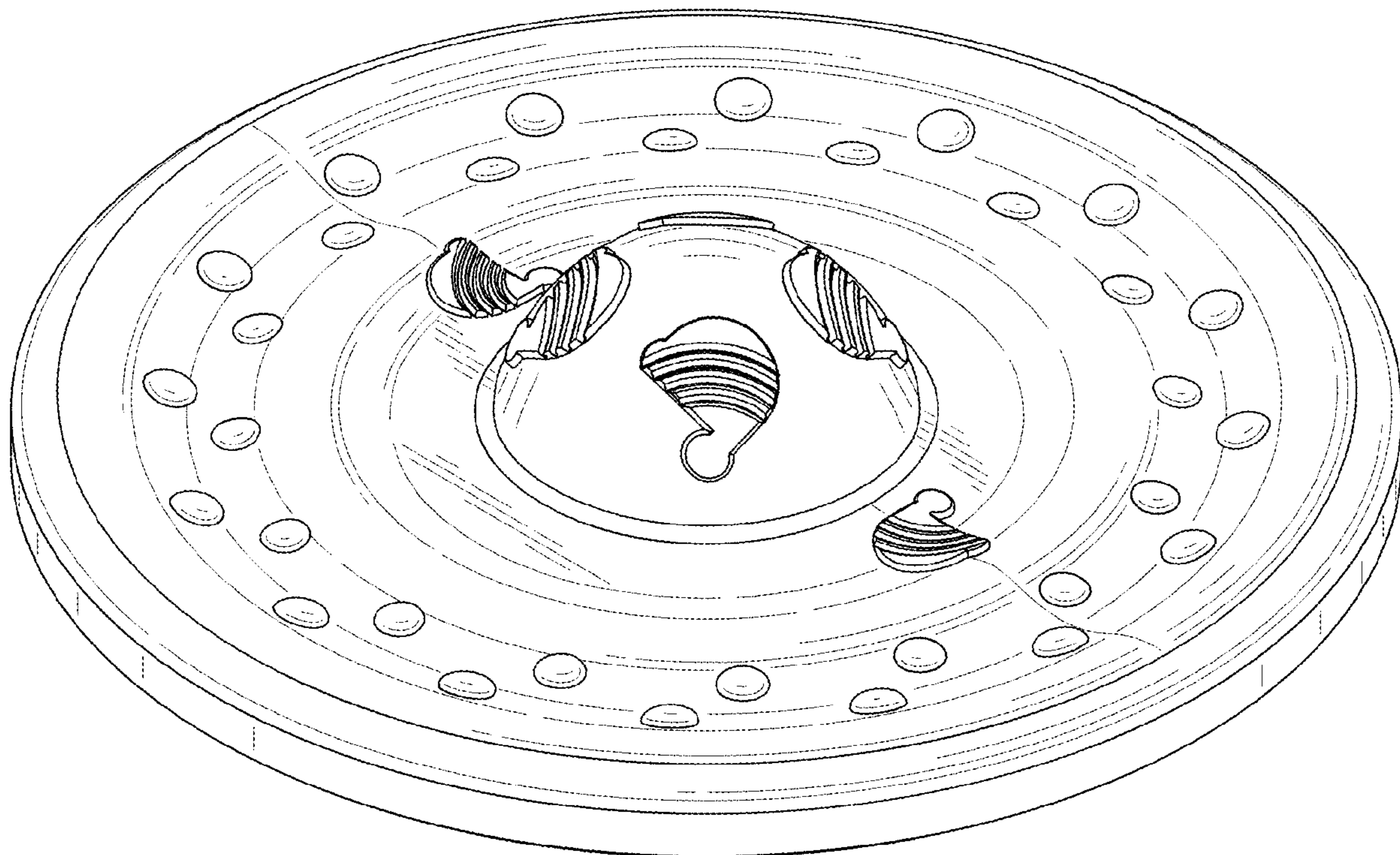
FIG. 1 is a first perspective view of a frisbee ball showing my new design;  
FIG. 2 is a second perspective view thereof;  
FIG. 3 is a front view thereof;  
FIG. 4 is a back view thereof;  
FIG. 5 is a left side view thereof;  
FIG. 6 is a right side view thereof;  
FIG. 7 is a top view thereof; and,  
FIG. 8 is a bottom view thereof.

(56) **References Cited**

**U.S. PATENT DOCUMENTS**

5,297,799 A \* 3/1994 Slater ..... A63H 33/18  
473/588  
5,536,195 A \* 7/1996 Stamos ..... A63H 33/18  
446/46

**1 Claim, 8 Drawing Sheets**



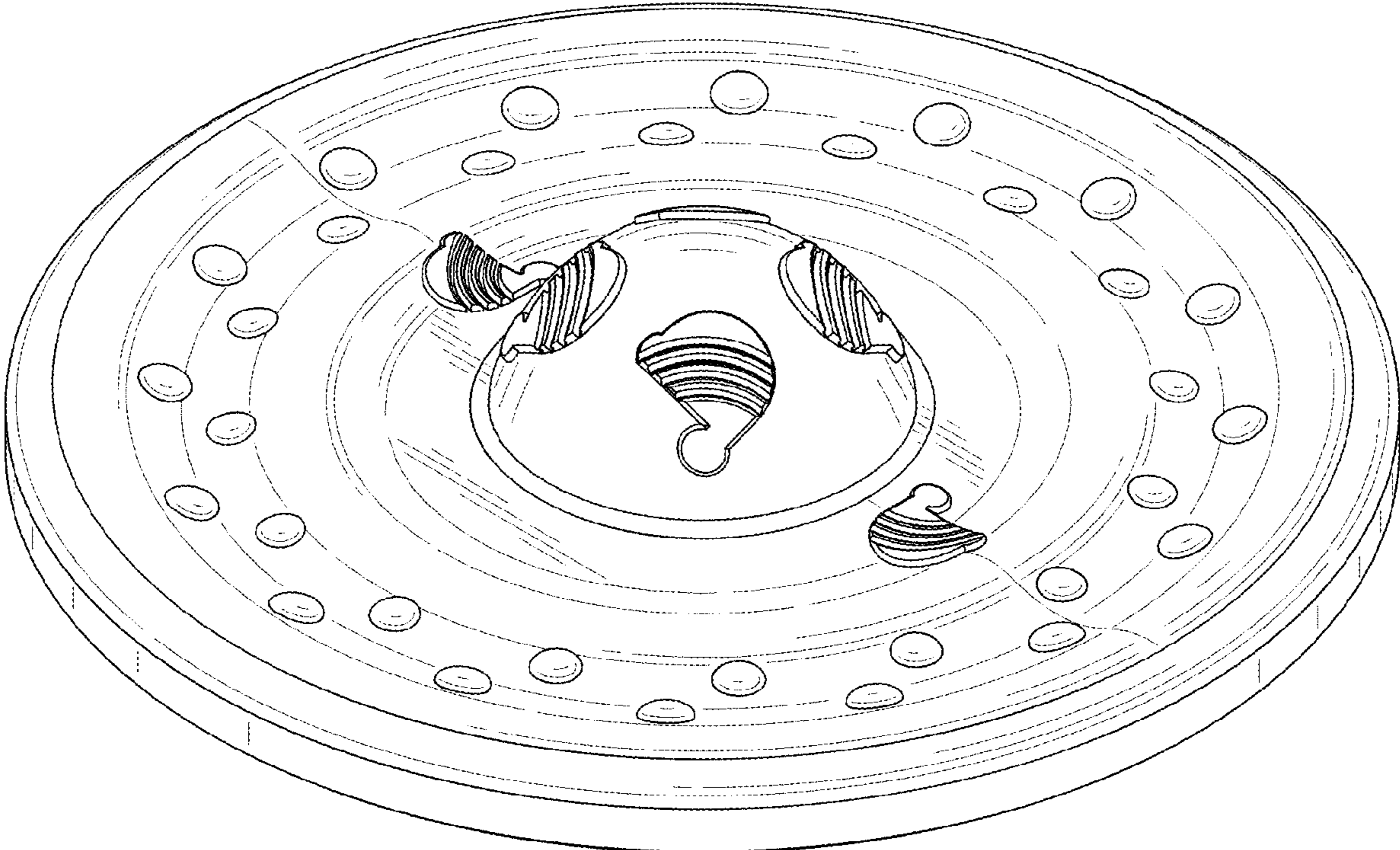


FIG. 1

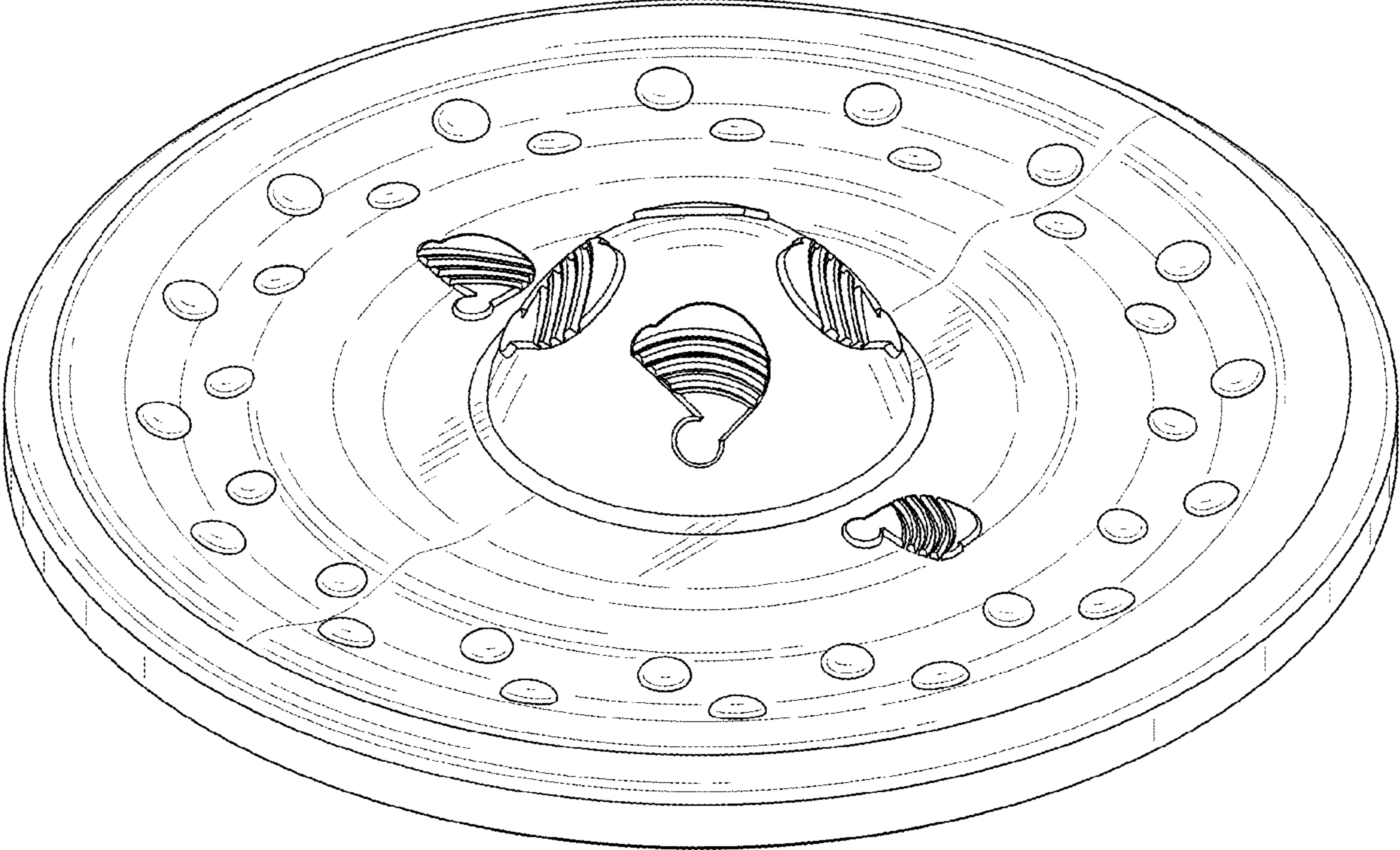


FIG. 2



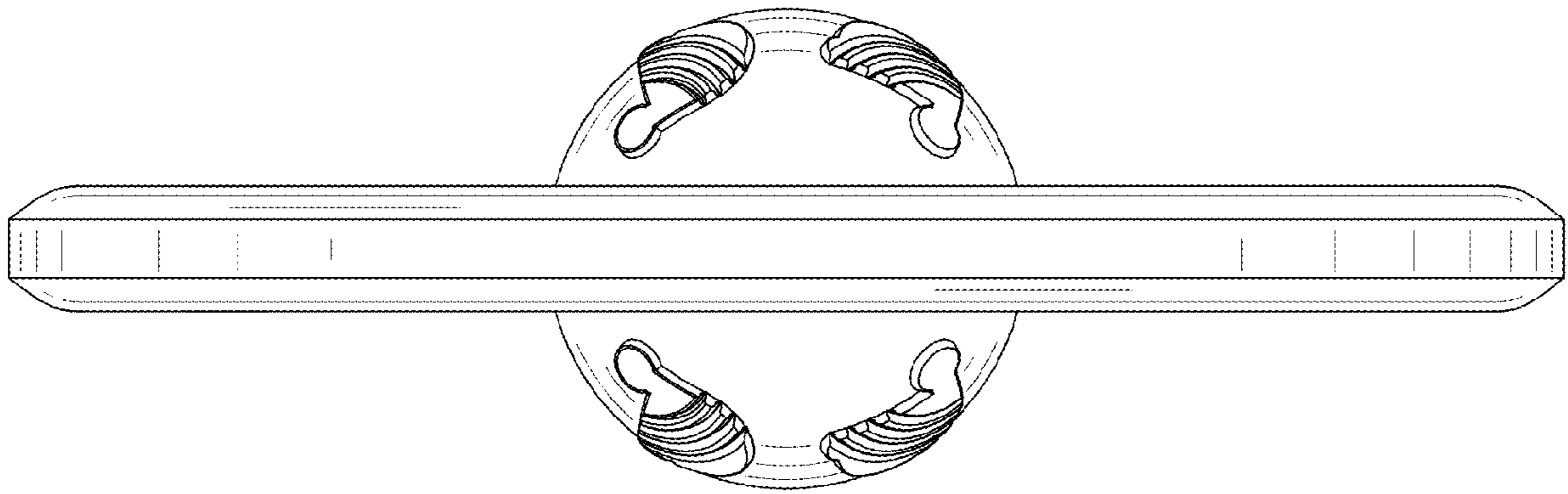


FIG. 3

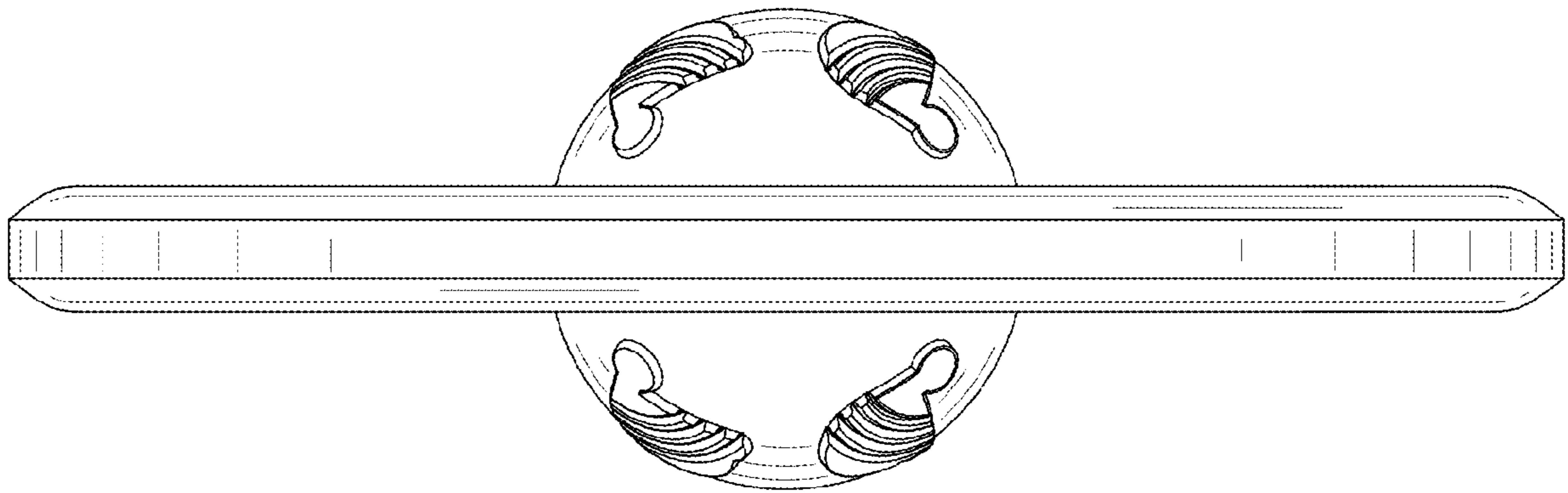


FIG. 4

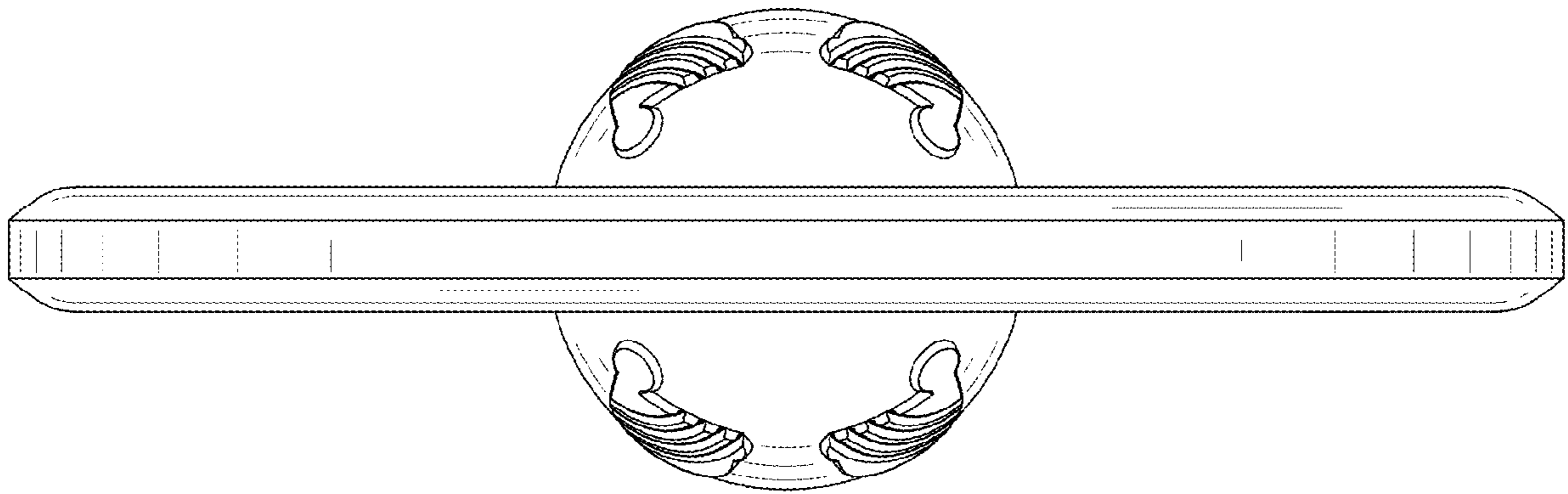


FIG. 5

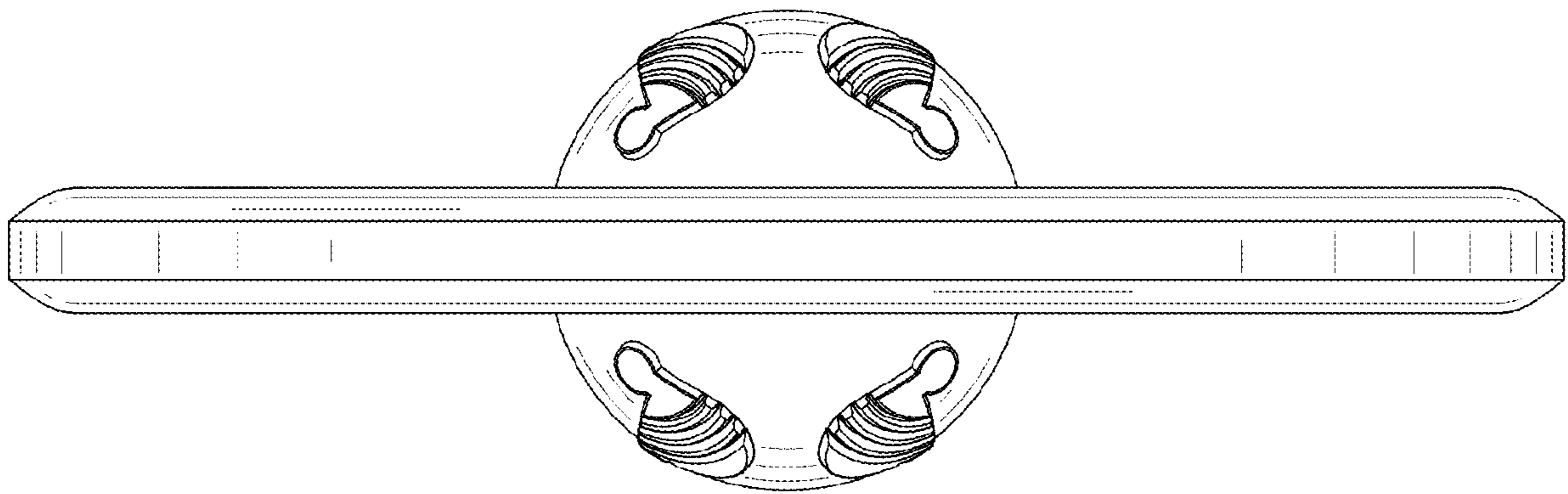


FIG. 6

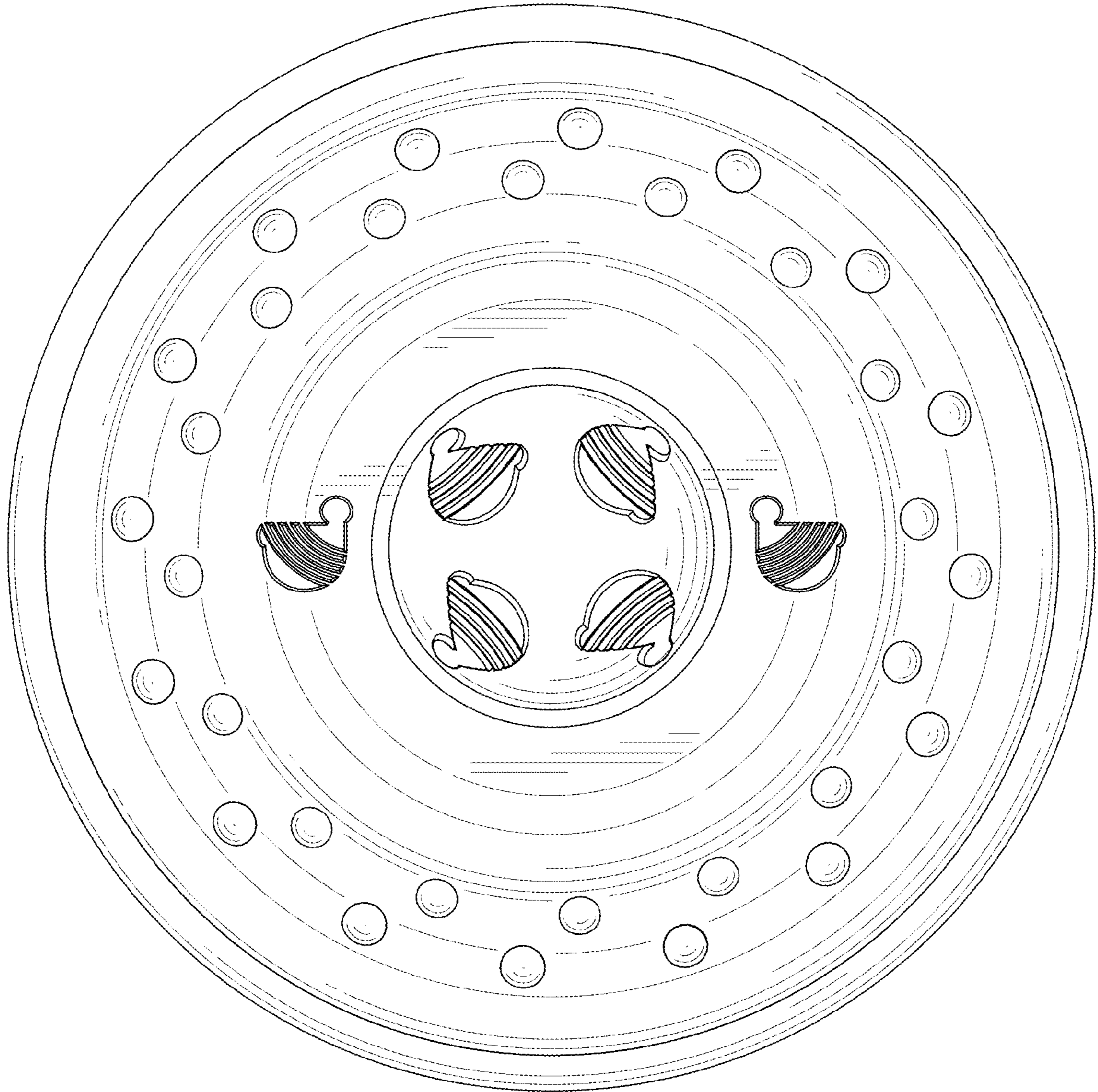


FIG. 7



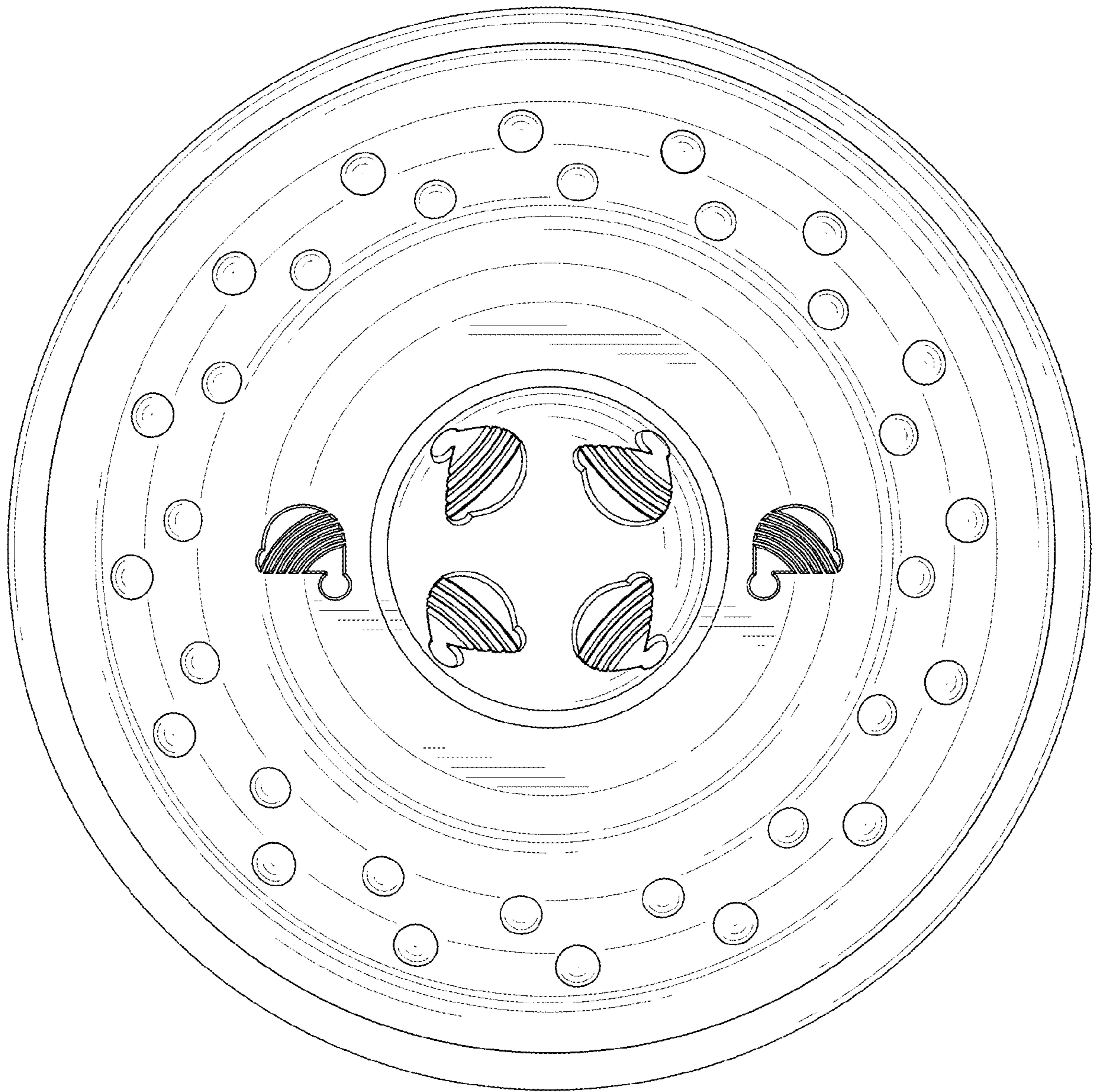


FIG. 8