

US00D965065S

(12) **United States Design Patent** (10) **Patent No.:** **US D965,065 S**
Guo (45) **Date of Patent:** **** Sep. 27, 2022**

(54) **GAME CONTROLLER**
(71) Applicant: **SHENZHEN BEIERSAI ELECTRONIC TECHNOLOGY CO., LTD**, Shenzhen (CN)
(72) Inventor: **Hairui Guo**, Zhumadian (CN)
(73) Assignee: **SHENZHEN BEIERSAI ELECTRONIC TECHNOLOGY CO., LTD**, Shenzhen (CN)
(**) Term: **15 Years**
(21) Appl. No.: **29/820,956**
(22) Filed: **Dec. 26, 2021**
(51) **LOC (13) Cl.** **21-01**
(52) **U.S. Cl.**
USPC **D21/333**
(58) **Field of Classification Search**
USPC D21/324, 332-337, 566, 572-574, 328;
D14/217, 218, 356, 387, 388, 389, 400,
D14/401, 415, 418, 426-431, 443, 447,
D14/449, 450, 454, 455, 471, 474, 483,
D14/496, 511; D13/164, 168
CPC .. A63F 9/02; A63F 9/24; A63F 9/0291; A63F
9/0252; A63F 13/00; A63F 13/23; A63F
13/24; A63F 13/26; A63F 13/98; A63F
13/02; A63F 13/12; A63F 9/00; A63F
2300/00; A63F 2300/1031
See application file for complete search history.

(56) **References Cited**
U.S. PATENT DOCUMENTS
D708,615 S * 7/2014 Delrue D14/401
D709,882 S * 7/2014 Morris D14/401
D712,408 S * 9/2014 Sumii D14/401
D715,865 S * 10/2014 Morris D21/333
D754,128 S * 4/2016 Bellinghausen D14/401

D783,722 S 4/2017 Peng
D794,129 S * 8/2017 Kujawski D14/401
D799,599 S * 10/2017 Kujawski D21/333
D819,641 S * 6/2018 Tsuchiya D14/401
D823,945 S * 7/2018 Falc D14/416
D847,265 S * 4/2019 Chatterjee D21/333
D882,691 S * 4/2020 Tsuchiya D21/333
D905,165 S 12/2020 Adams et al.
D905,168 S * 12/2020 Chatterjee D21/333
D905,790 S * 12/2020 Chatterjee D14/401
D908,800 S * 1/2021 Tang D21/333
D909,482 S * 2/2021 Whitaker D14/401
D909,487 S * 2/2021 Whitaker D21/333
D921,116 S * 6/2021 Zhou D21/333
D923,097 S * 6/2021 Zhao D21/333
D926,887 S * 8/2021 Yang D21/333
D928,880 S * 8/2021 Yu D21/333
D934,344 S * 10/2021 Hsu D14/401

(Continued)

Primary Examiner — Mehri F Bajoul

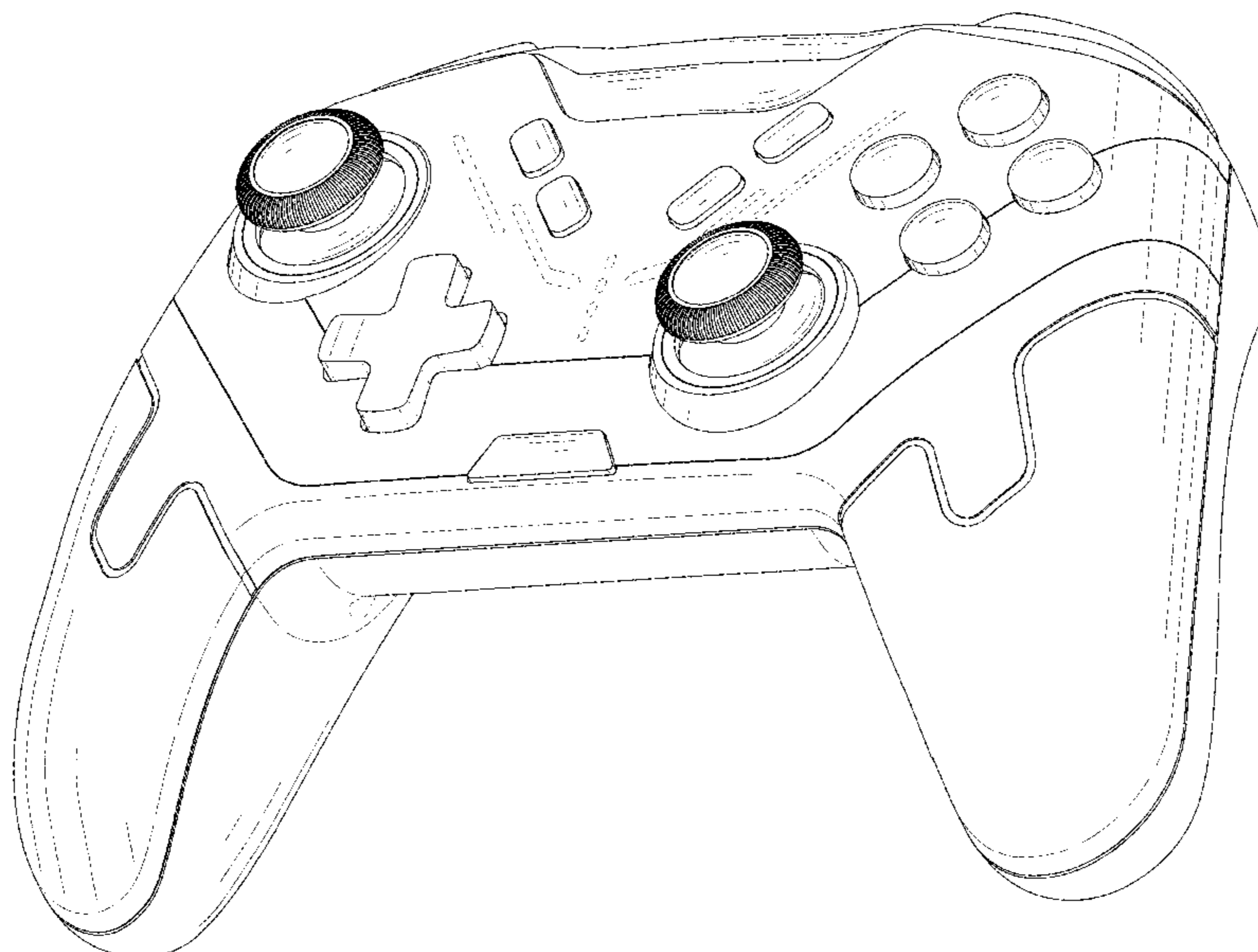
(57) **CLAIM**

The ornamental design for a game controller, as shown and described.

DESCRIPTION

FIG. 1 is a perspective view of a game controller showing my new design;
FIG. 2 is another perspective view thereof;
FIG. 3 is a front elevational view thereof;
FIG. 4 is a rear elevational view thereof;
FIG. 5 is a left side elevational view thereof;
FIG. 6 is a right side elevational view thereof;
FIG. 7 is a top plan view thereof;
FIG. 8 is a bottom plan view thereof; and,
FIG. 9 is an enlarged view of portion 9 shown in FIG. 2.
The dash-dash broken lines in the drawings depict portions of the game controller that form no part of the claimed design. The dot-dash broken lines represent boundaries of the enlarged portion and form no part of the claimed design.

1 Claim, 9 Drawing Sheets



(56)

References Cited

U.S. PATENT DOCUMENTS

D935,460 S	*	11/2021	Zhu	D14/401
D936,146 S	*	11/2021	Hsu	D21/333
D940,244 S	*	1/2022	Zhou	D21/333
D947,948 S	*	4/2022	Ma	D21/333
D951,355 S	*	5/2022	Tang	D21/333
D951,356 S	*	5/2022	Tang	D21/333
D953,439 S	*	5/2022	Wang	D21/333
D958,254 S	*	7/2022	Liu	D21/333
D958,889 S	*	7/2022	Luo	D21/333

* cited by examiner

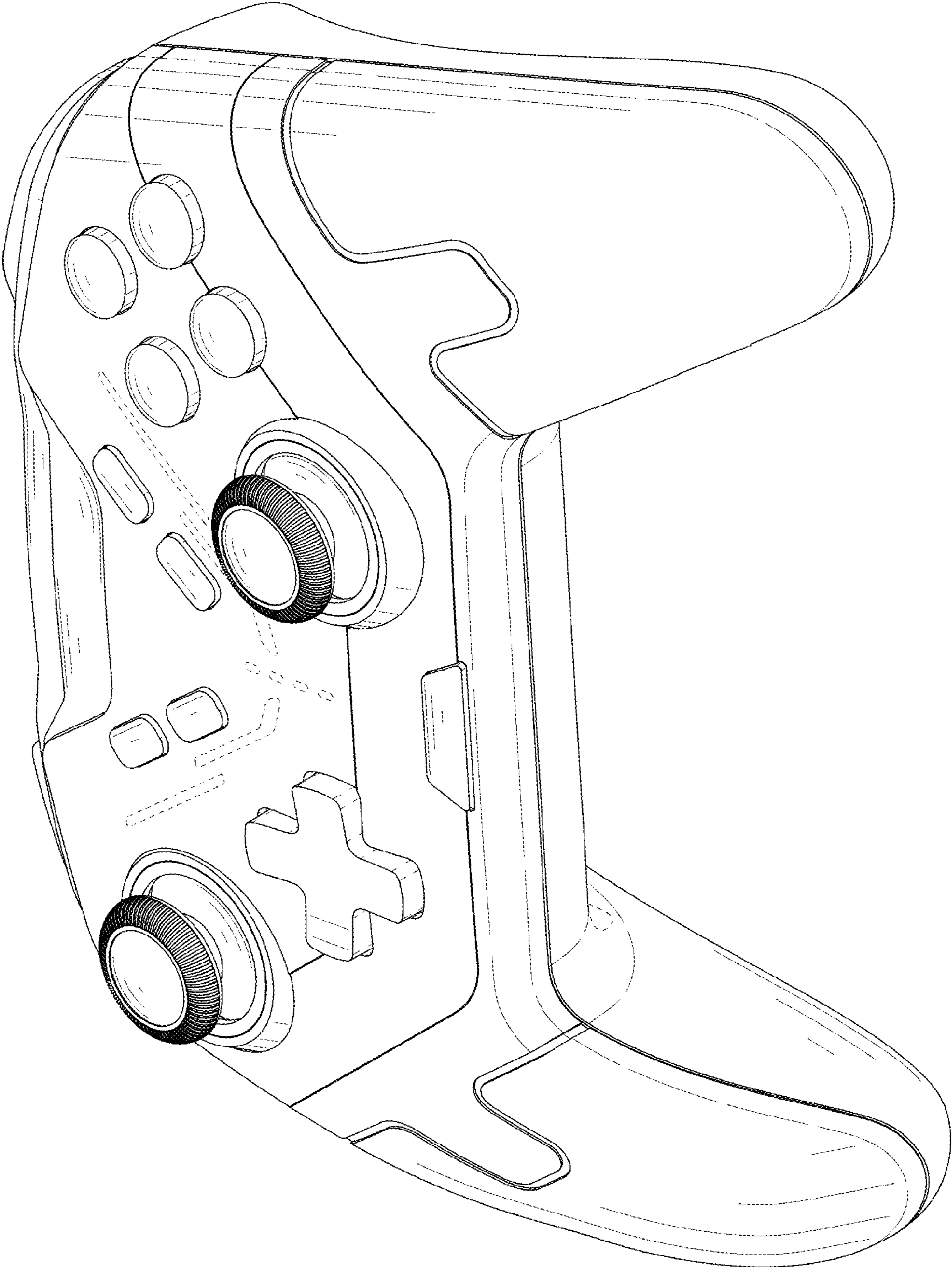


FIG. 1

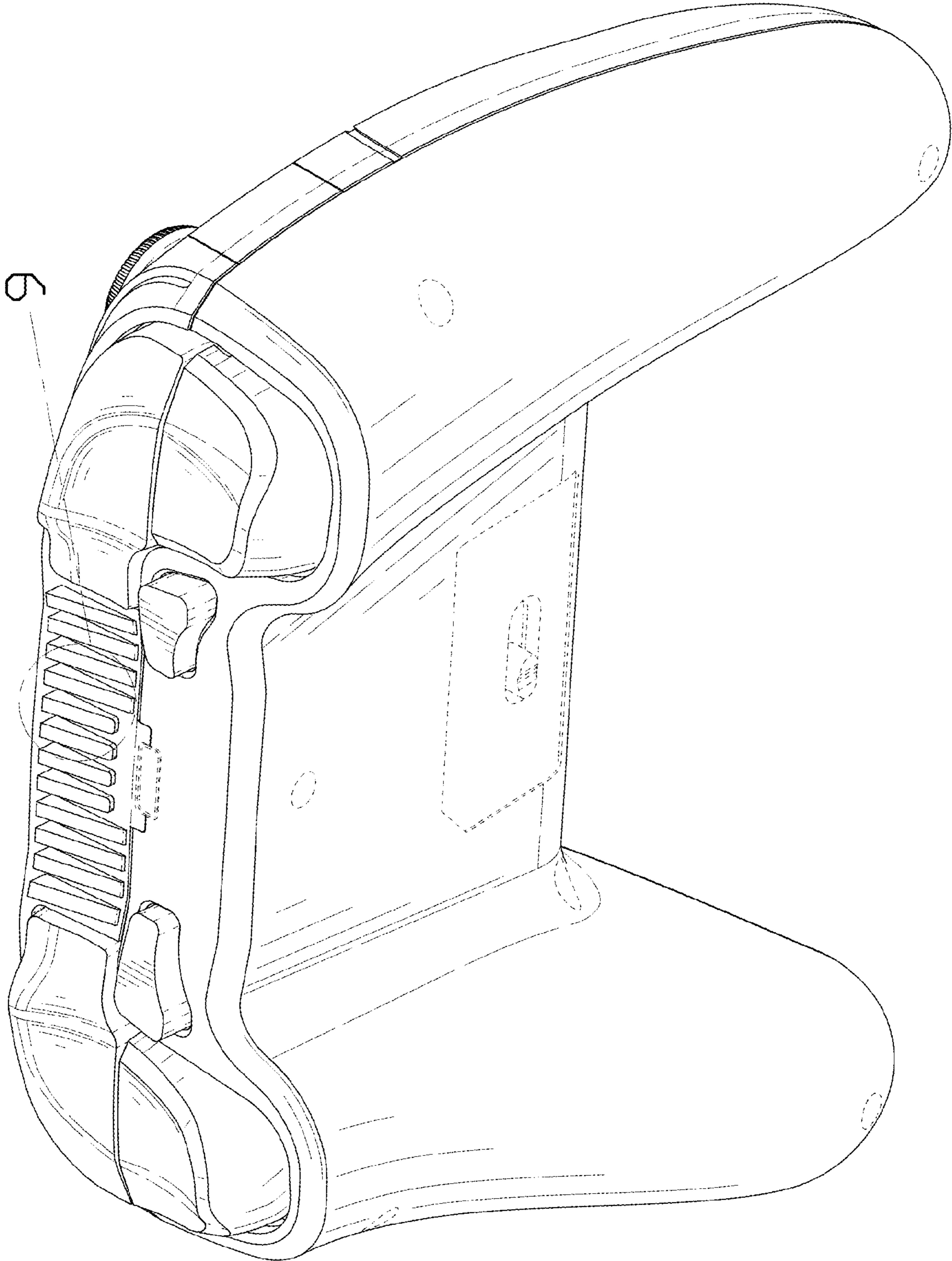


FIG. 2

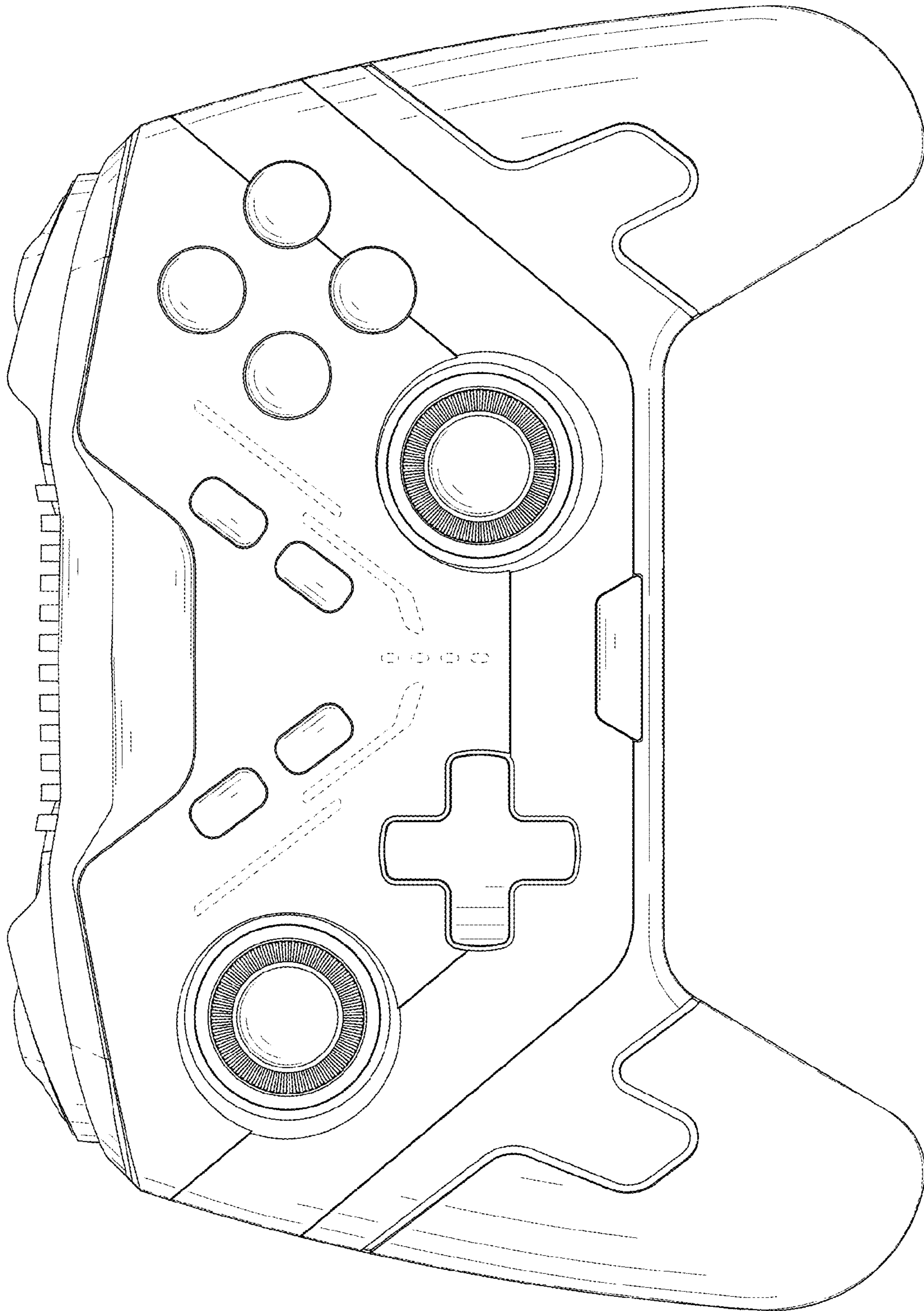


FIG. 3

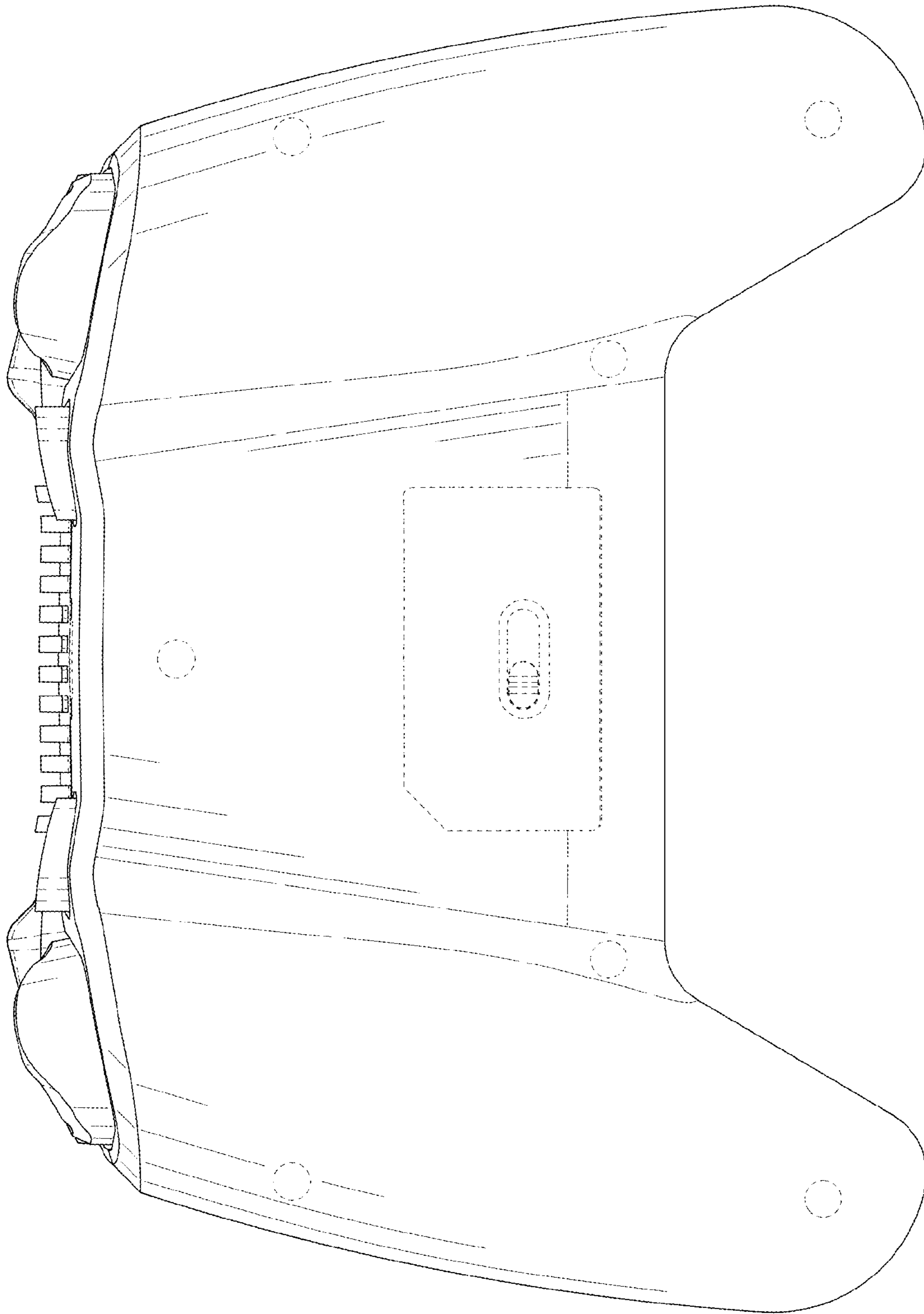


FIG. 4

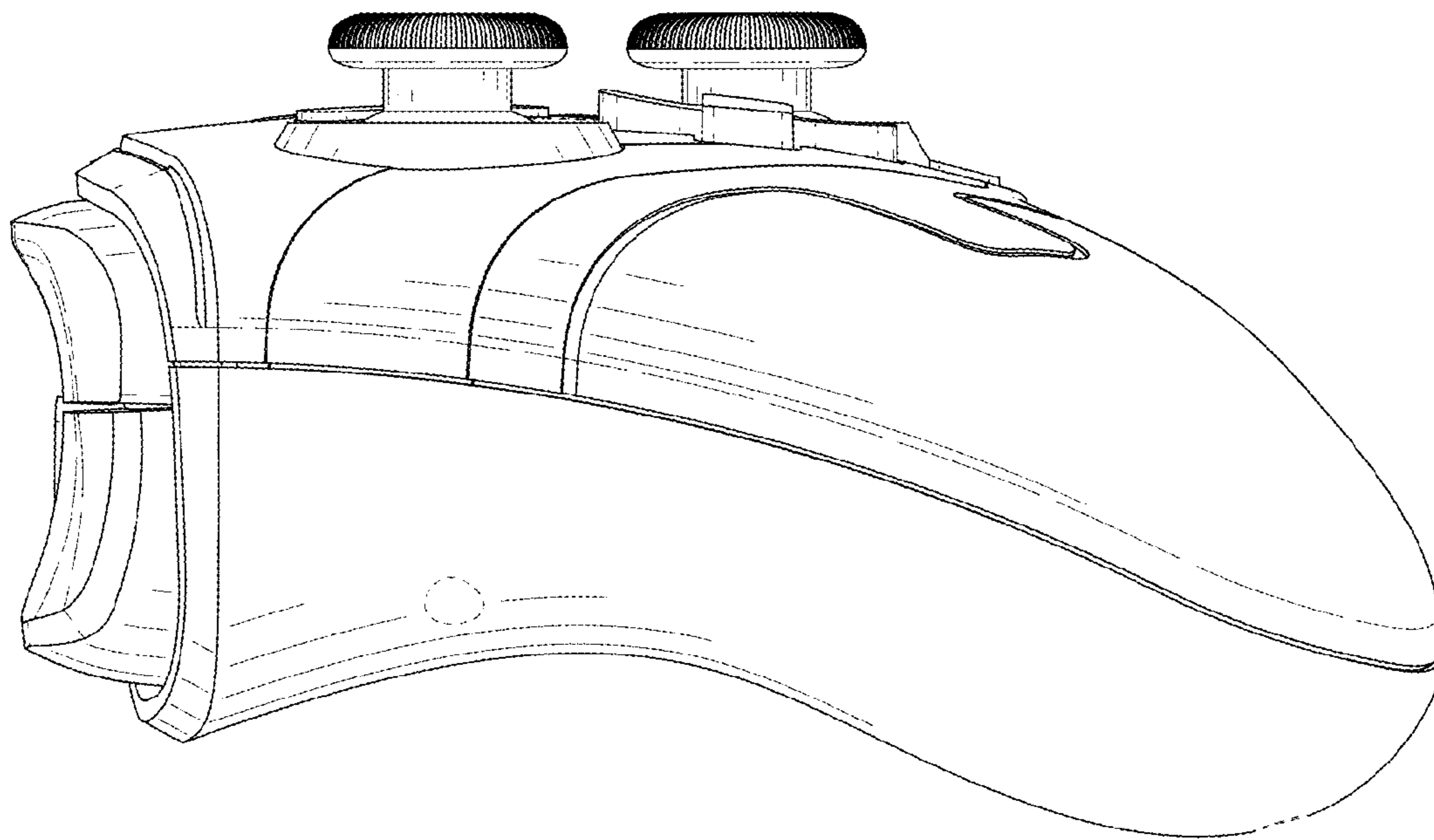


FIG. 5

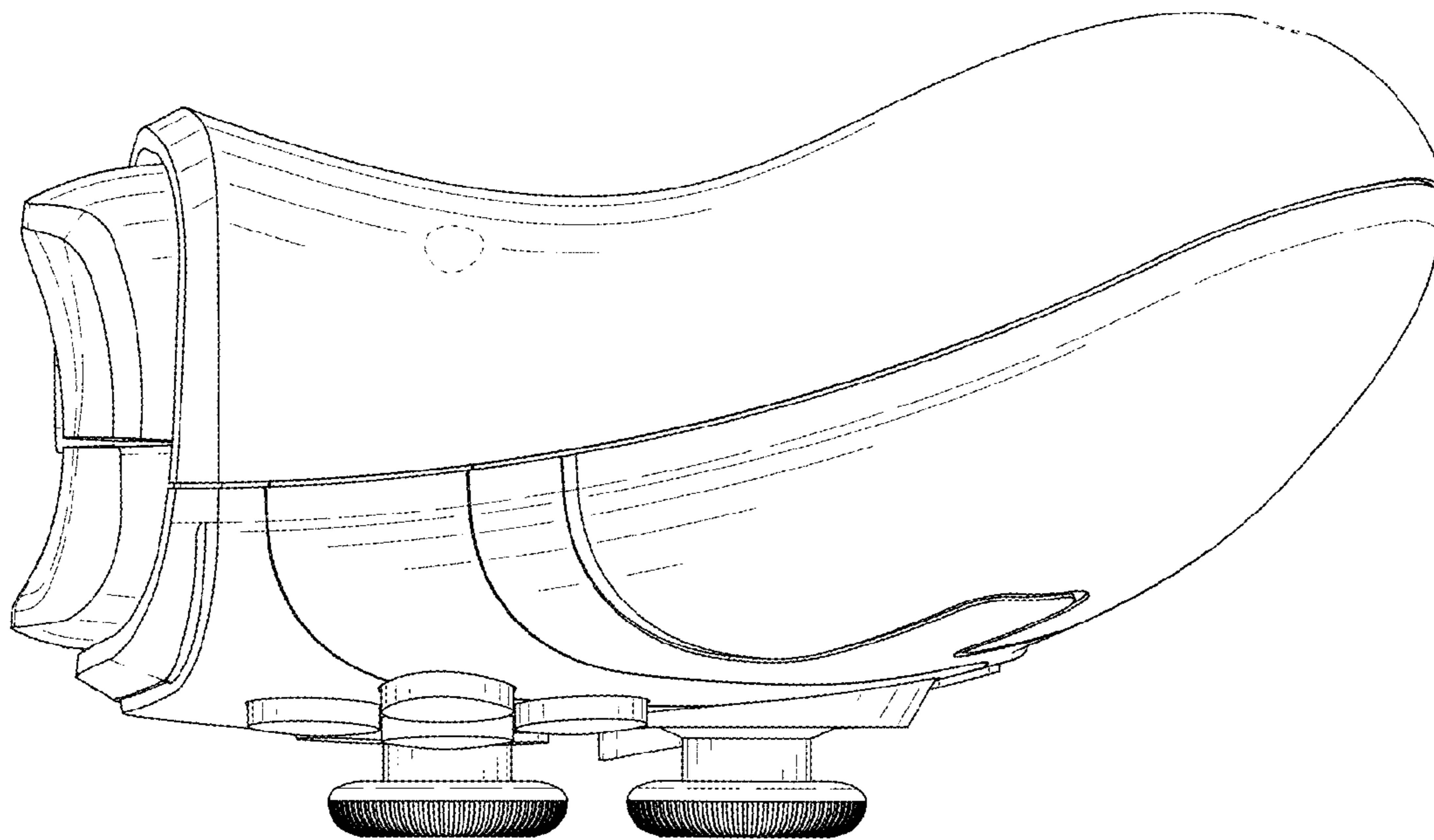


FIG. 6

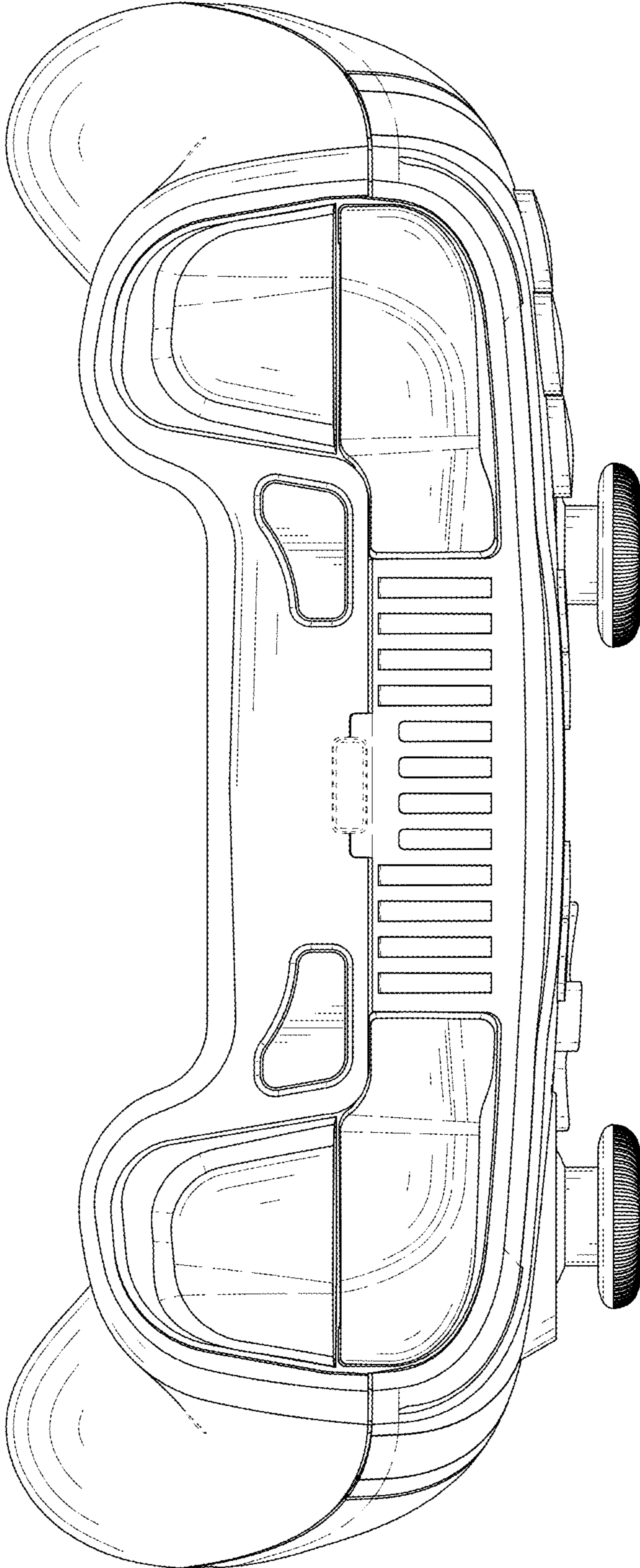


FIG. 7

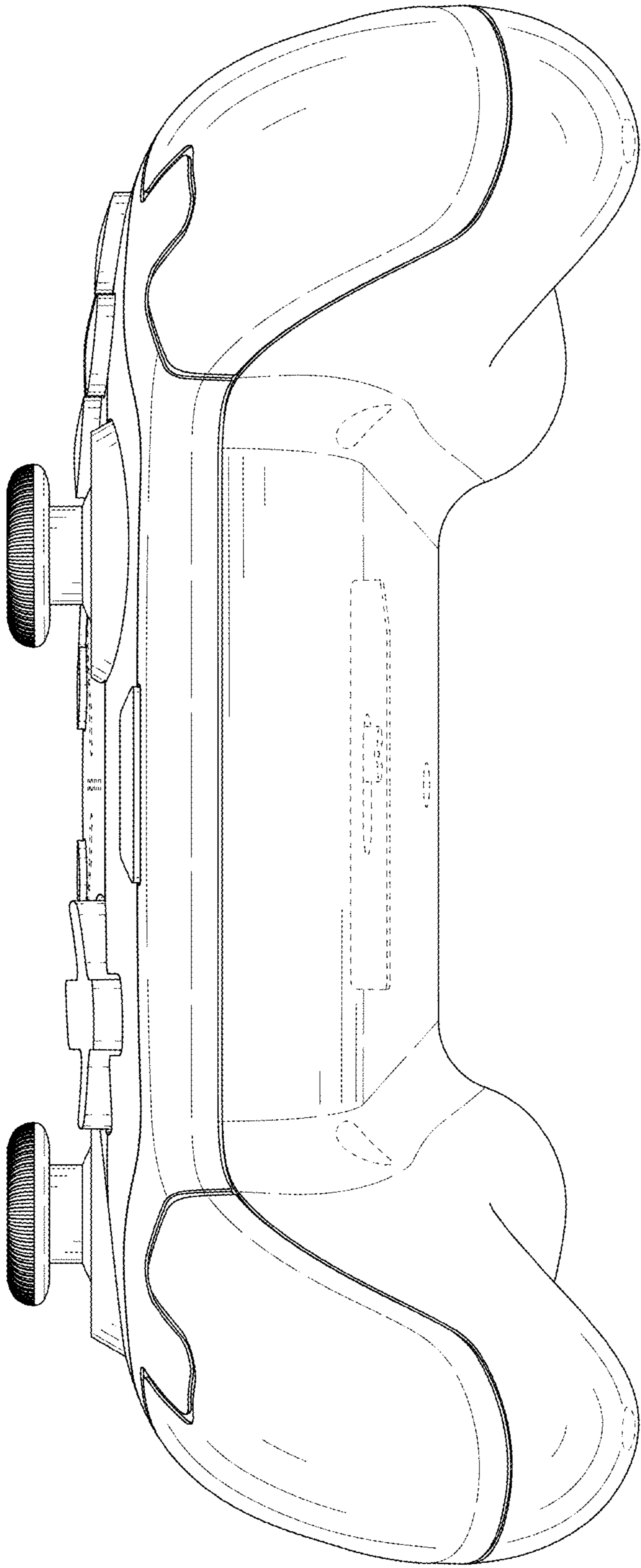


FIG. 8

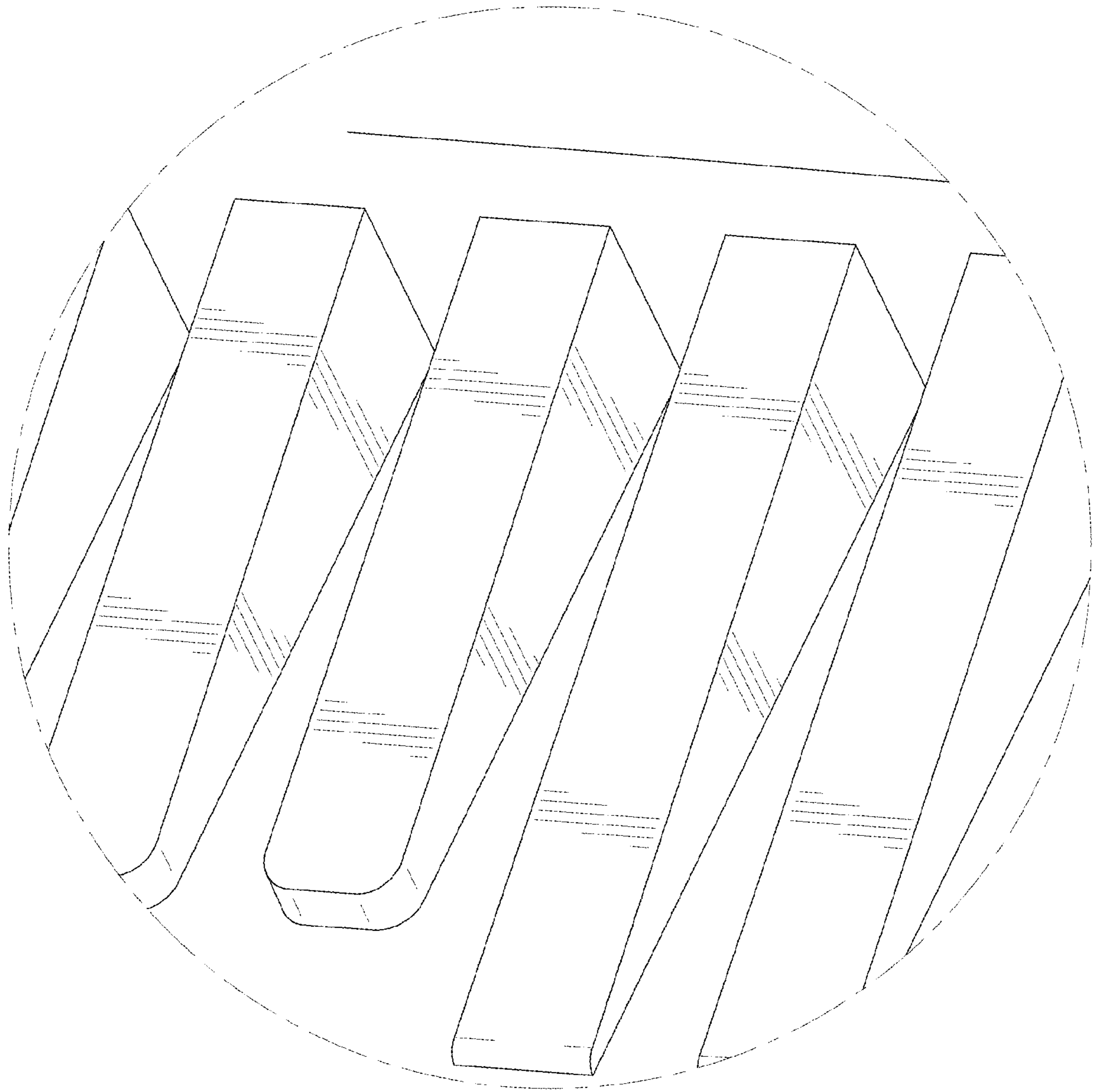


FIG. 9