



US00D965063S

(12) **United States Design Patent**
Yang

(10) **Patent No.:** **US D965,063 S**

(45) **Date of Patent:** **** Sep. 27, 2022**

(54) **GAME CONSOLE**

(71) Applicant: **Shenzhen Yang Liming Electronic Technology Co., Ltd., Shenzhen (CN)**

(72) Inventor: **Decheng Yang, Guangdong (CN)**

(**) Term: **15 Years**

(21) Appl. No.: **29/753,122**

(22) Filed: **Sep. 30, 2020**

(51) **LOC (13) Cl.** **21-01**

(52) **U.S. Cl.**
USPC **D21/331**

(58) **Field of Classification Search**
CPC .. A63F 9/02; A63F 9/24; A63F 9/0291; A63F 9/0252; A63F 13/00; A63F 13/23; A63F 13/24; A63F 13/26; A63F 13/98; A63F 13/02; A63F 13/12; A63F 9/00; A63F 2300/00; A63F 2300/1031
See application file for complete search history.

(56) **References Cited**

U.S. PATENT DOCUMENTS

D265,326 S *	7/1982	Sugiyama	D21/331
D318,884 S *	8/1991	Kojo	D21/331
D370,237 S *	5/1996	Gilliam	D21/331
D516,634 S *	3/2006	Man-tat	D21/332
D556,759 S *	12/2007	Kawanobe	D14/401
D568,884 S *	5/2008	Kawanobe	D14/401
D641,049 S *	7/2011	Ehara	D21/333
D663,287 S *	7/2012	Kim	D14/218
D666,679 S *	9/2012	Ehara	D21/333
D681,127 S *	4/2013	Ashida	D21/333
D681,128 S *	4/2013	Ashida	D14/401
D686,669 S *	7/2013	Ashida	D21/333
D689,138 S *	9/2013	Ashida	D21/332
D691,663 S *	10/2013	Ashida	D21/332
D692,882 S *	11/2013	Lakraa	D14/401

D697,139 S *	1/2014	Sugino	D14/345
D740,885 S *	10/2015	Nokuo	D14/401
D741,844 S *	10/2015	Rayner	D14/250
D741,952 S *	10/2015	Nokuo	D14/401
D745,606 S *	12/2015	Ehara	D21/330
D767,564 S *	9/2016	Li	D14/341
D830,465 S *	10/2018	Suetake	D21/330
D833,531 S *	11/2018	Suetake	D21/330
D867,365 S *	11/2019	Corigliano	D14/401
D881,191 S *	4/2020	Navid	D14/401
D884,799 S *	5/2020	Buller	D21/392
D888,157 S *	6/2020	Wei	D21/331
D891,380 S *	7/2020	Li	D13/168
D894,280 S *	8/2020	Ehara	D21/331
10,743,630 B2 *	8/2020	Hynecek	A45C 11/00
D916,980 S *	4/2021	Chen	D21/333
11,013,991 B1 *	5/2021	Seibert	A63F 13/24
D928,113 S *	8/2021	Guack	D21/333
D929,395 S *	8/2021	Ehara	D14/341
D941,395 S *	1/2022	Ehara	D21/333

(Continued)

Primary Examiner — Mehri F Bajoul

(74) *Attorney, Agent, or Firm* — Sandy Lipkin

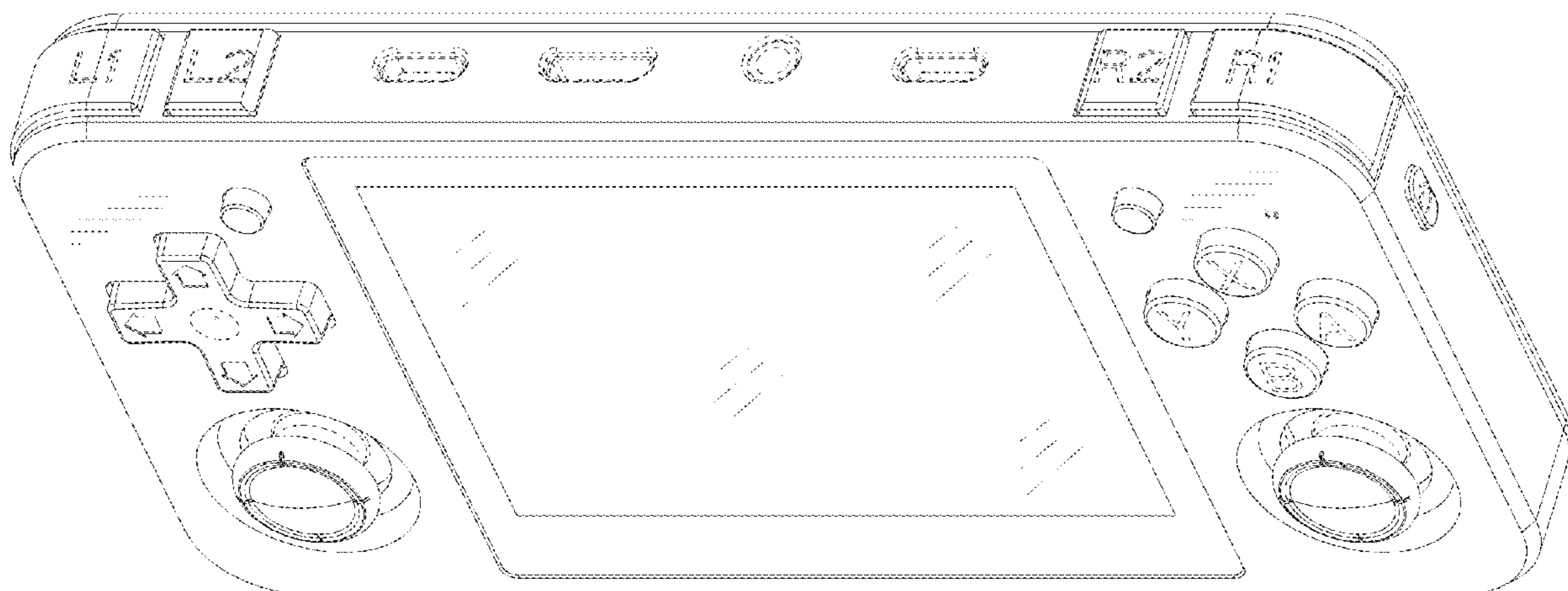
(57) **CLAIM**

The ornamental design for a game console, as shown and described.

DESCRIPTION

FIG. 1 is a front elevational view of a game console, showing my new design;
FIG. 2 is a top plan view thereof;
FIG. 3 is a bottom plan view thereof;
FIG. 4 is a rear elevational view thereof;
FIG. 5 is a left elevational view thereof;
FIG. 6 is a right elevational view thereof; and,
FIG. 7 is a front top perspective view thereof.
The broken lines in the drawings depict portions of the game console that form no part of the claimed design.

1 Claim, 7 Drawing Sheets



(56)

References Cited

U.S. PATENT DOCUMENTS

2005/0130738 A1* 6/2005 Miyamoto A63F 13/5378
463/30
2006/0279039 A1* 12/2006 Krieger A63F 13/54
463/36
2011/0260830 A1* 10/2011 Weising A63F 13/40
340/5.52
2013/0032380 A1* 2/2013 Furubo G06F 1/1626
174/250
2013/0063879 A1* 3/2013 Ishiwata G06F 1/1632
361/679.01
2013/0175186 A1* 7/2013 Simmer G06F 1/1626
206/37
2015/0133221 A1* 5/2015 Danny A63F 13/92
345/184
2020/0083729 A1* 3/2020 Tamaki A63F 13/235
2020/0391112 A1* 12/2020 Yone A63F 13/54
2021/0008459 A1* 1/2021 Miyatake A63F 13/98
2021/0370164 A1* 12/2021 Lu A63F 13/92
2022/0072417 A1* 3/2022 Fujita A63F 13/235

* cited by examiner

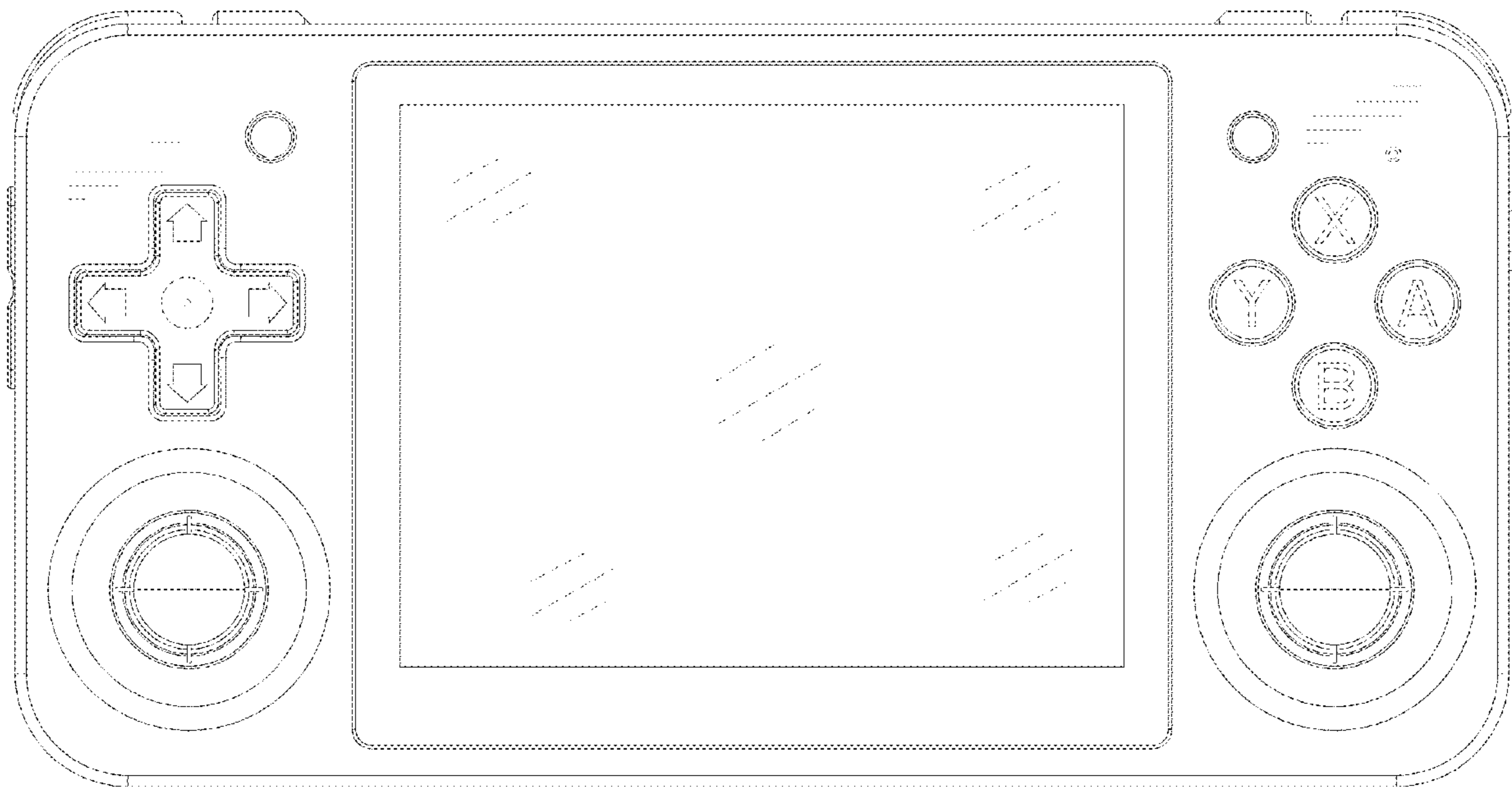


FIG. 1

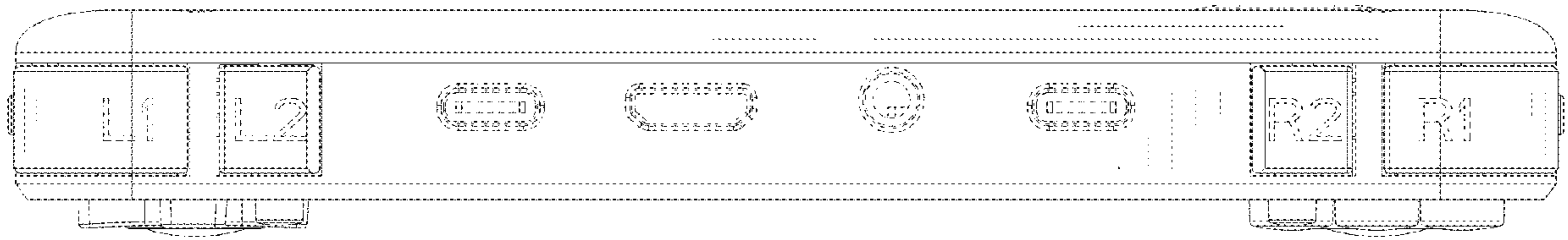


FIG. 2

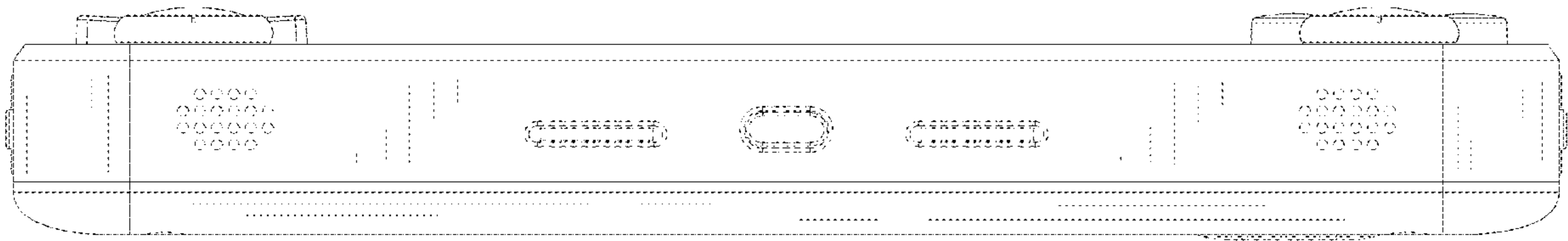


FIG. 3

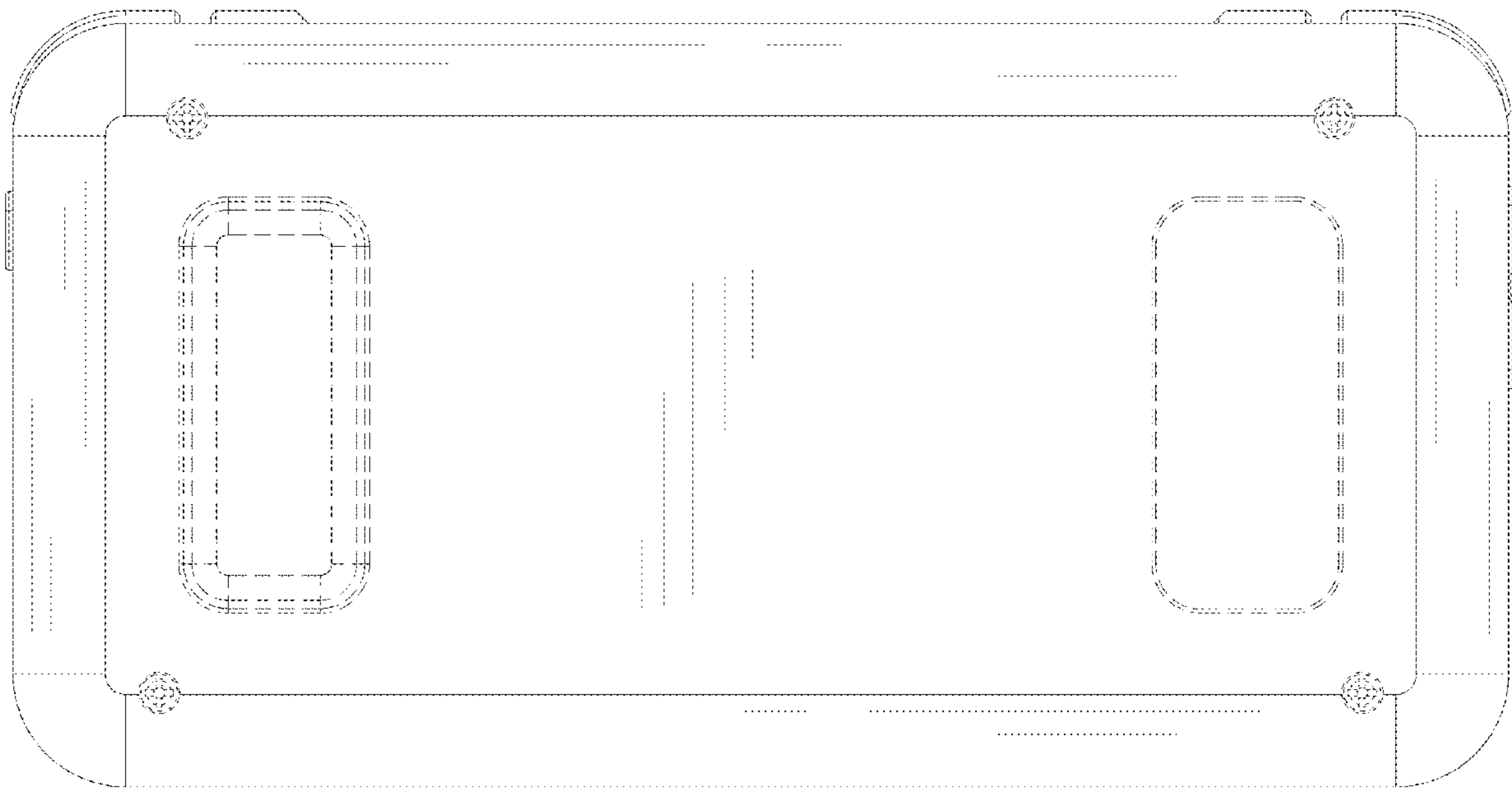


FIG. 4

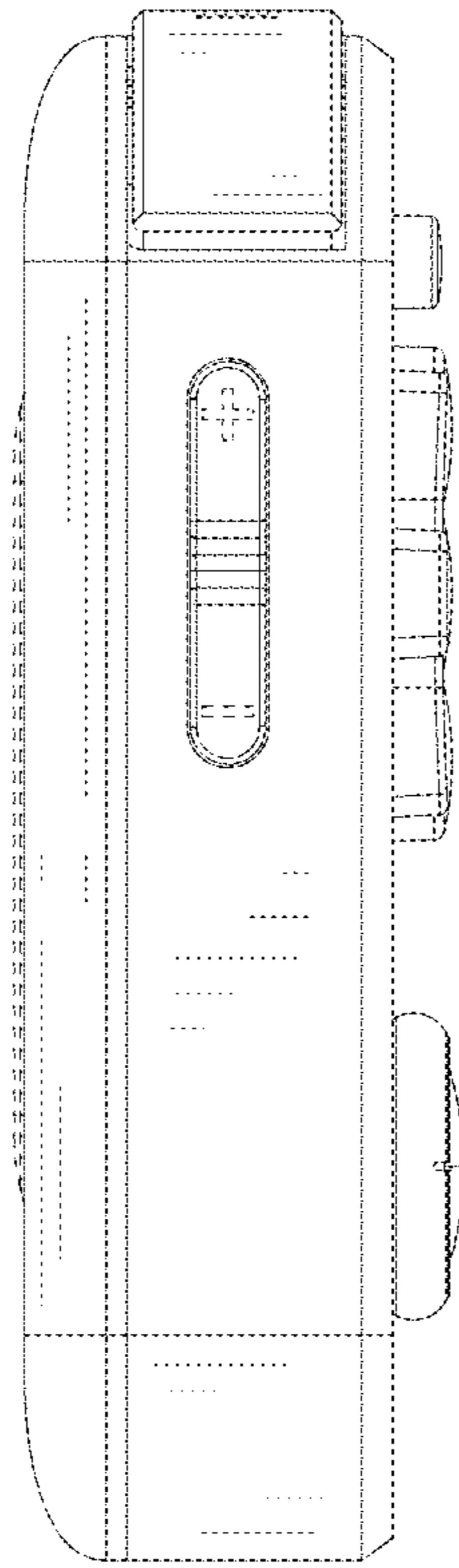


FIG. 5

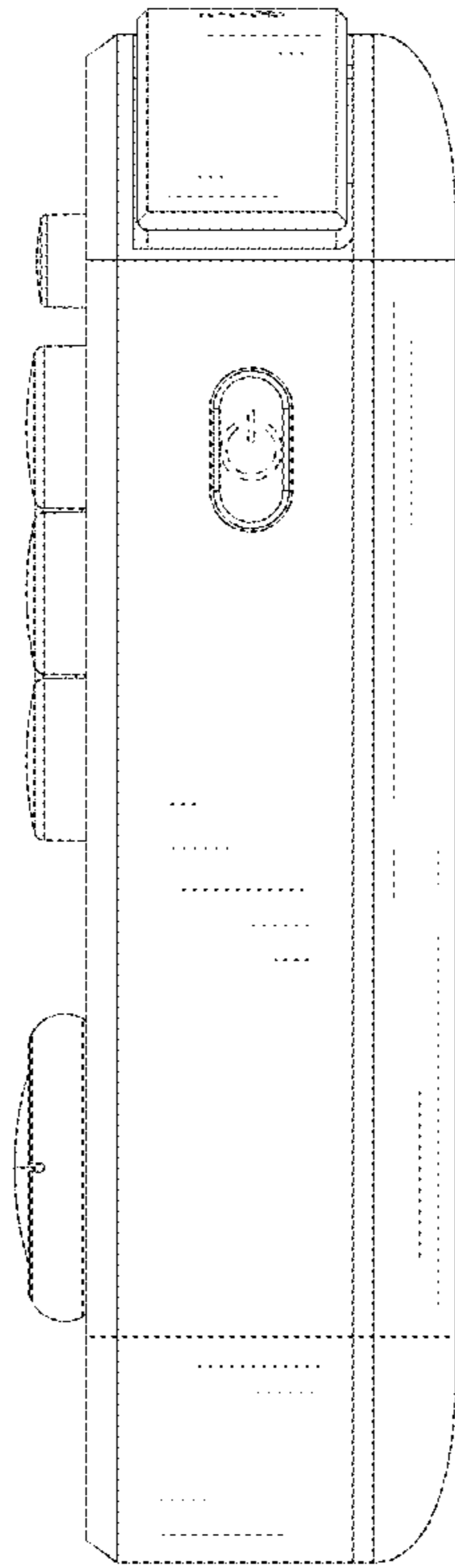


FIG. 6

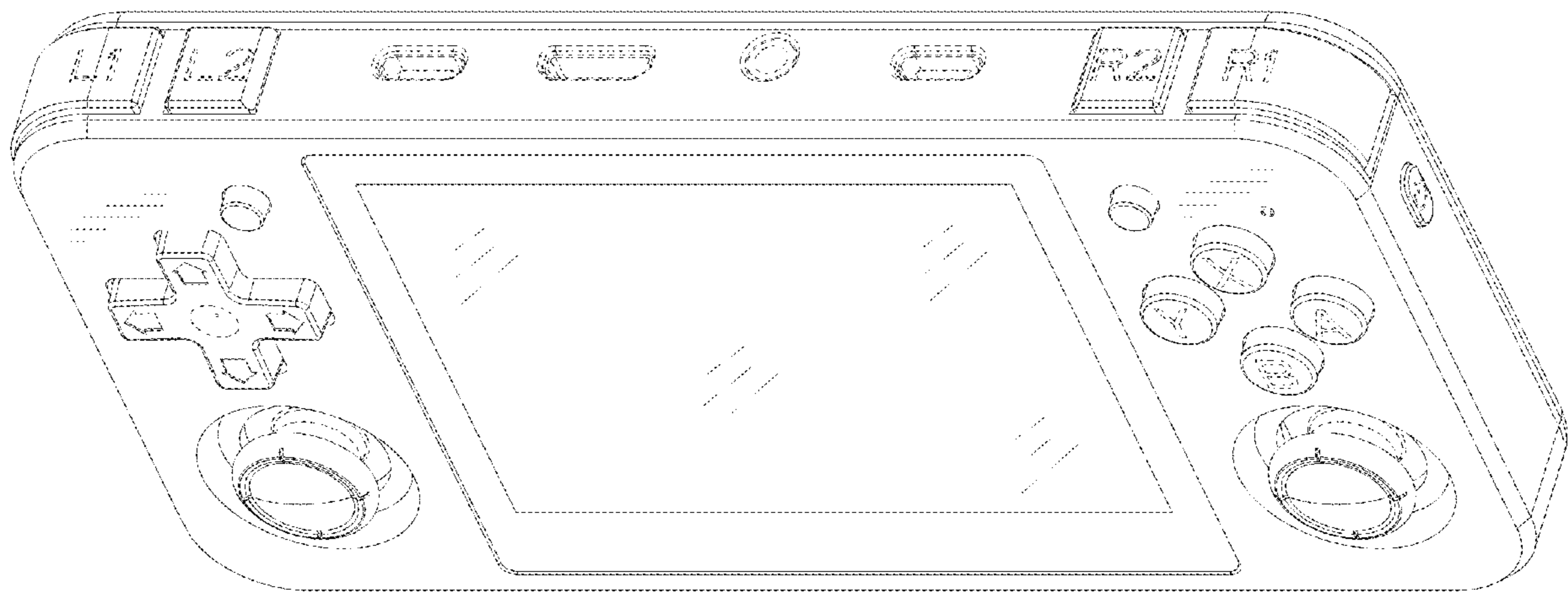


FIG. 7