

US00D965062S

(12) **United States Design Patent** (10) **Patent No.:** **US D965,062 S**  
**Wu** (45) **Date of Patent:** **\*\* Sep. 27, 2022**

- (54) **LUGGAGE TAG** D202,973 S \* 11/1965 Field ..... D20/27  
3,384,984 A \* 5/1968 Field ..... G09F 3/18  
D20/27
- (71) Applicant: **HENAN TESIKAI NETWORK TECHNOLOGY CO., LTD.,**  
Zhengzhou (CN) 4,616,435 A \* 10/1986 Perfect ..... G09F 3/18  
40/6
- (72) Inventor: **Caili Wu, Yueyang (CN)** D287,864 S \* 1/1987 Perfect ..... D20/27  
D300,582 S \* 4/1989 Hodge ..... D3/208  
D306,613 S \* 3/1990 Parker ..... D20/27  
D377,810 S \* 2/1997 Chaperon ..... D20/27
- (73) Assignee: **HENAN TESIKAI NETWORK TECHNOLOGY CO., LTD.,**  
Zhengzhou (CN) D411,765 S \* 7/1999 Holihan ..... D3/247  
D424,803 S \* 5/2000 Kojoori ..... D3/249  
(Continued)

(\*\*) Term: **15 Years**

**OTHER PUBLICATIONS**

(21) Appl. No.: **29/791,406**

Leathermilano, posted at etsy.com, posted on May 4, 2021, site visited Jul. 7, 2022. online, available from internet: <https://www.etsy.com/listing/935529054/> (Year: 2021).\*

(22) Filed: **Jan. 10, 2022**

(Continued)

(51) **LOC (13) Cl.** ..... **19-08**

(52) **U.S. Cl.**  
USPC ..... **D20/27**

*Primary Examiner* — Catherine Ho

(58) **Field of Classification Search**  
USPC ..... D3/247–249; D20/22–27  
CPC ..... G09F 2003/0254; G09F 2003/0255; G09F  
2003/0251; G09F 3/14; G09F 3/185  
See application file for complete search history.

(57) **CLAIM**

The ornamental design for a luggage tag, as shown and described.

(56) **References Cited**

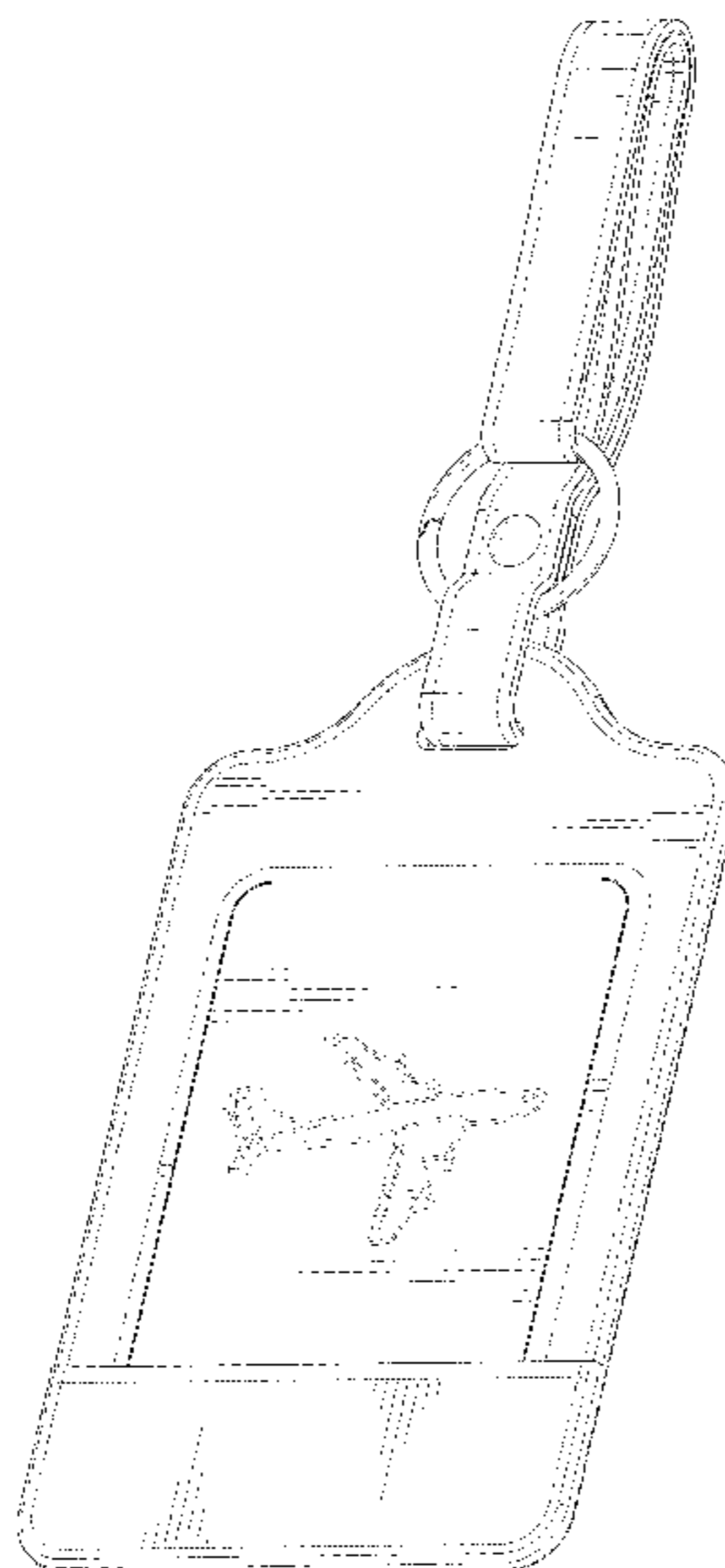
**DESCRIPTION**

**U.S. PATENT DOCUMENTS**

- 141,205 A \* 7/1873 Curless ..... G09F 3/14  
40/6
- 262,696 A \* 8/1882 Russell ..... G09F 3/14  
40/6
- 661,691 A \* 11/1900 Goodwin ..... G09F 3/14  
40/6
- 989,297 A \* 4/1911 Schaefer ..... G09F 3/18  
40/653
- 1,895,704 A \* 1/1933 Crosby ..... A45C 11/18  
40/661.04
- 1,972,480 A \* 9/1934 Gomi ..... A45C 1/04  
D3/249
- 2,793,451 A \* 5/1957 Goldsholl ..... C07D 213/78  
D20/27

FIG. 1 is a top perspective view of a luggage tag showing my new design;  
FIG. 2 is a bottom perspective view thereof;  
FIG. 3 is a front elevational view thereof;  
FIG. 4 is a rear elevational view thereof;  
FIG. 5 is a left side elevational view thereof;  
FIG. 6 is a right side elevational view thereof;  
FIG. 7 is a top plan view thereof; and,  
FIG. 8 is a bottom plan view thereof.  
The dotted broken lines represent stitching that forms part of the claimed design. The dashed broken lines depict portions of the article that form no part of the claimed design.

**1 Claim, 8 Drawing Sheets**



(56)

**References Cited**

U.S. PATENT DOCUMENTS

D432,175 S \* 10/2000 Finkay ..... D20/22  
6,671,987 B1 \* 1/2004 Fenton ..... G09F 3/20  
40/6  
D490,113 S \* 5/2004 Nykoluk ..... D20/27  
D516,126 S \* 2/2006 Schantz ..... D20/28  
D527,891 S \* 9/2006 Hoeksema ..... D3/207  
D567,294 S 4/2008 Sandborg  
D623,233 S \* 9/2010 Sanz ..... D20/27  
D631,918 S \* 2/2011 Peyser ..... D20/22  
D775,834 S \* 1/2017 Sassi ..... D3/318  
D863,440 S \* 10/2019 Kwon ..... D20/22  
D903,312 S \* 12/2020 Bauer ..... D3/300  
D933,360 S \* 10/2021 Qing ..... D11/78.1

OTHER PUBLICATIONS

Friendlyfoxco, posted at etsy.com, posted on Nov. 30, 2020, site visited Jul. 7, 2022. online, available from internet: <https://www.etsy.com/listing/853277618/> (Year: 2020).\*

\* cited by examiner



FIG. 1

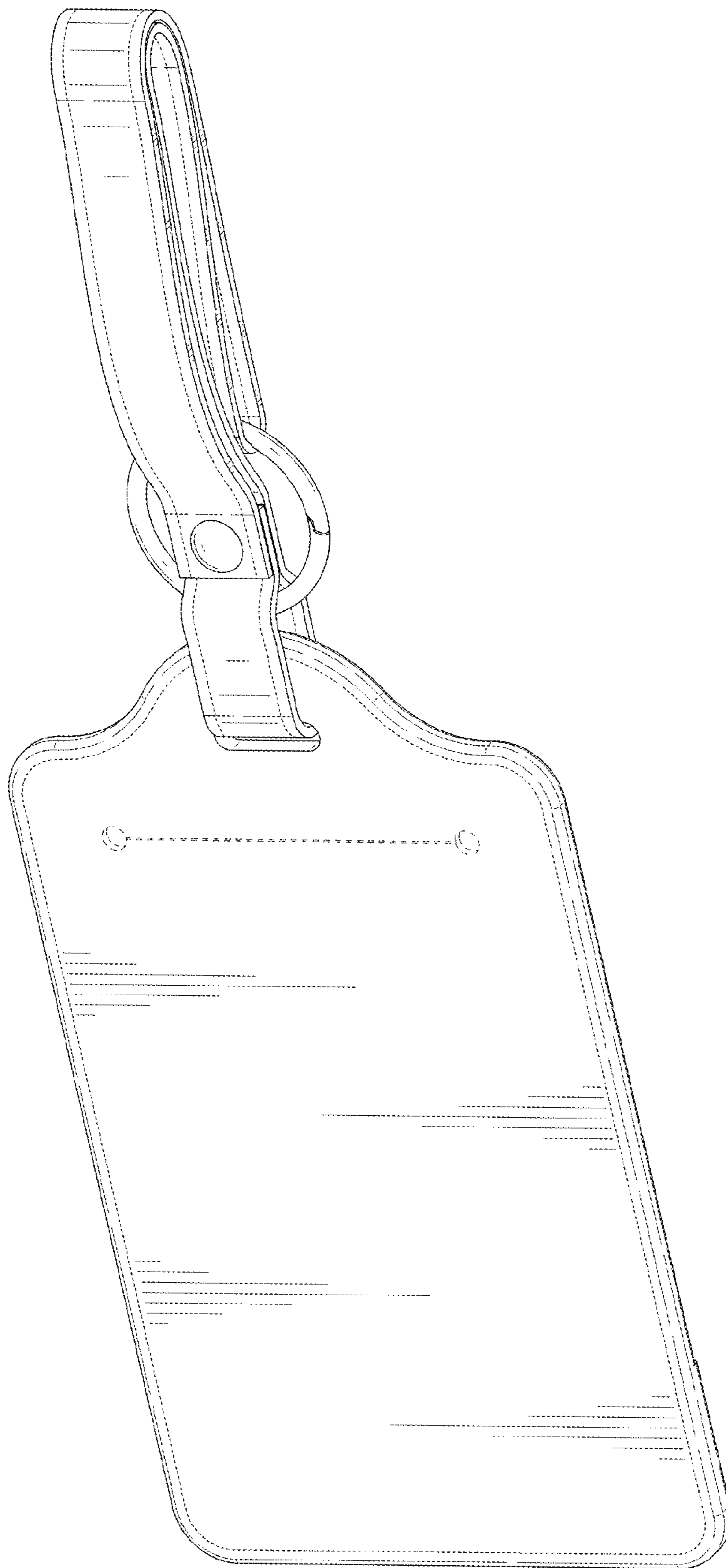


FIG. 2

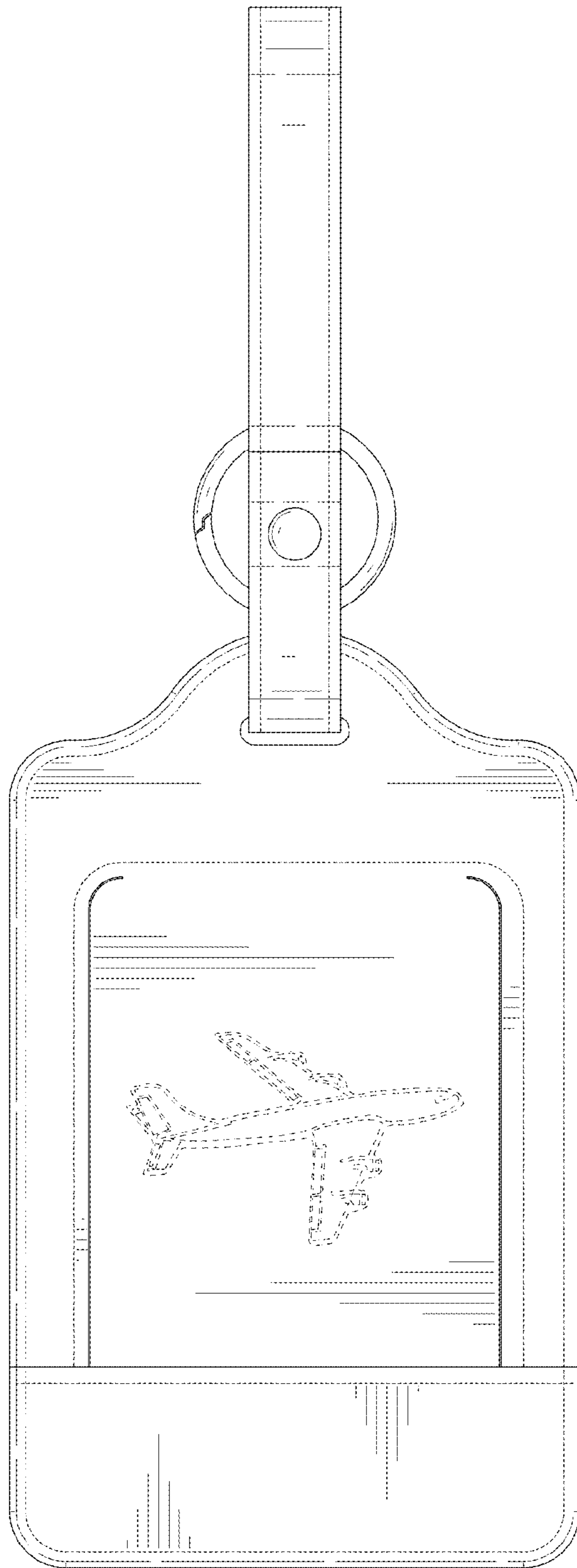


FIG. 3

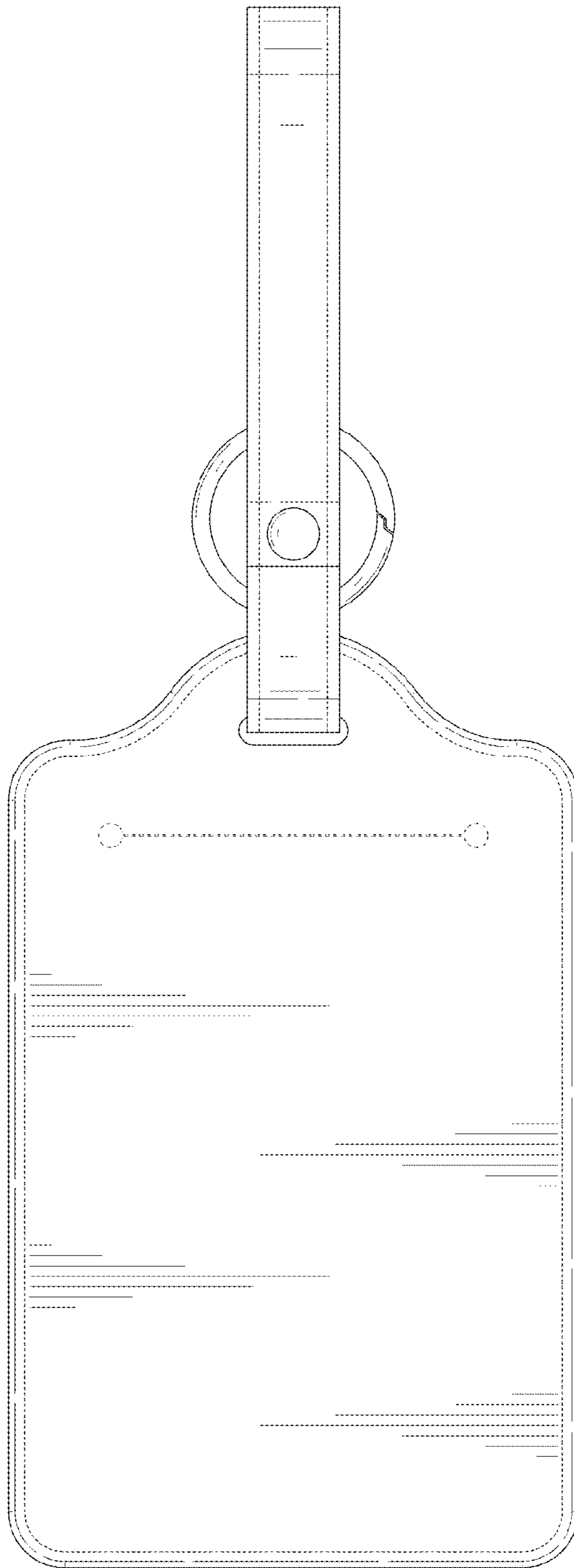


FIG. 4

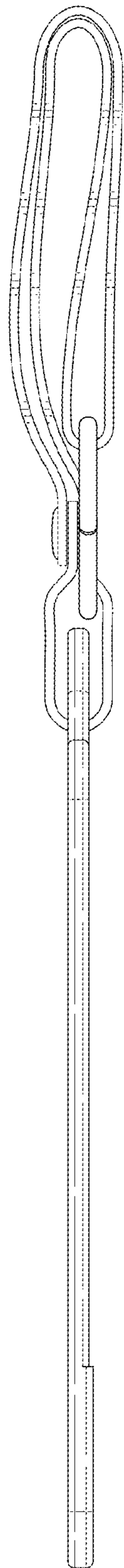


FIG. 5

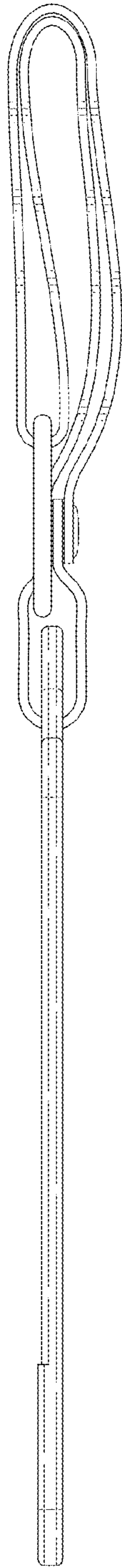


FIG. 6



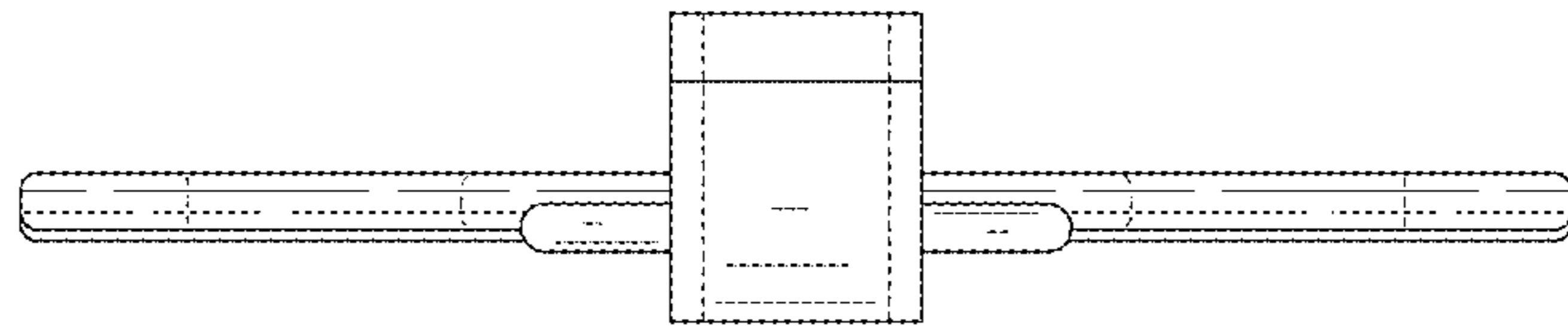


FIG. 7

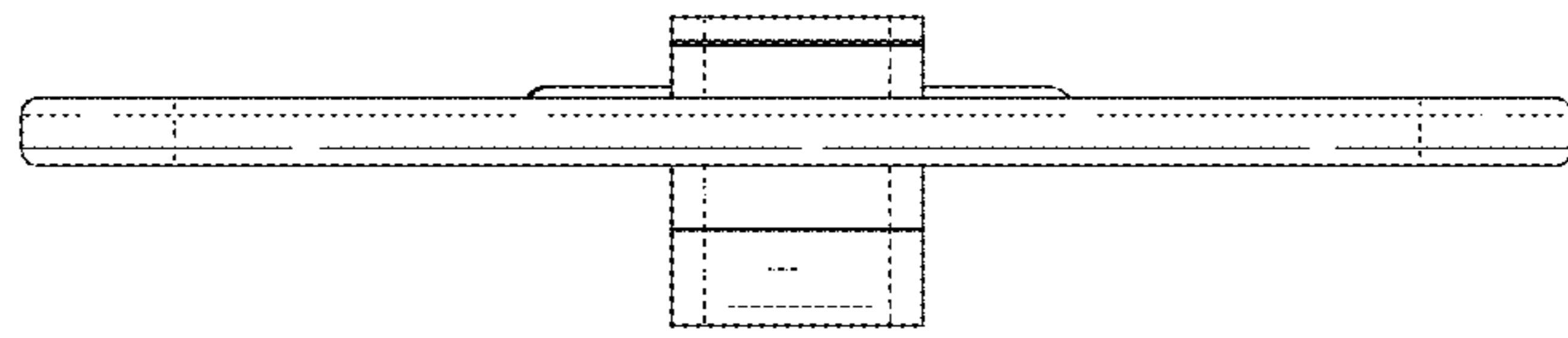


FIG. 8