



US00D965061S

(12) **United States Design Patent**  
**Inada et al.**

(10) **Patent No.:** **US D965,061 S**

(45) **Date of Patent:** **\*\* Sep. 27, 2022**

(54) **PRINTER**

(71) Applicant: **BROTHER INDUSTRIES, LTD.**,  
Nagoya (JP)

(72) Inventors: **Toshiya Inada**, Nagoya (JP); **Takaaki Oguchi**, Nagoya (JP)

(73) Assignee: **BROTHER INDUSTRIES, LTD.**,  
Nagoya (JP)

(\*\*) Term: **15 Years**

(21) Appl. No.: **29/704,372**

(22) Filed: **Sep. 4, 2019**

(30) **Foreign Application Priority Data**

Mar. 5, 2019 (JP) ..... 2019-004497

(51) **LOC (13) Cl.** ..... **14-02**

(52) **U.S. Cl.**  
USPC ..... **D18/50**

(58) **Field of Classification Search**  
USPC ..... D18/50, 53, 54, 55, 56, 36, 37, 38, 39,  
D18/40, 41, 45, 12, 14, 19; D14/301,  
D14/307, 121  
CPC ..... H04N 1/00278; H04N 1/00204; H04N  
1/00249; G06K 15/12; G06K 15/14; B41J  
3/00; B41J 3/28; B41J 3/445; B41J 3/46  
See application file for complete search history.

(56) **References Cited**

**U.S. PATENT DOCUMENTS**

D292,405 S \* 10/1987 Kitani ..... D18/54  
D573,179 S \* 7/2008 Bae ..... D18/50  
D643,462 S \* 8/2011 Yamashita ..... D18/50  
D648,379 S \* 11/2011 Ishikawa ..... D18/50  
D659,187 S \* 5/2012 Choo ..... D18/55  
D664,193 S \* 7/2012 Larson ..... D18/55  
D730,437 S \* 5/2015 Seki ..... D18/50

D770,565 S \* 11/2016 Tanaka ..... D18/50  
D799,594 S \* 10/2017 Kim ..... D18/55  
D806,790 S \* 1/2018 Sato ..... D18/50  
D809,595 S \* 2/2018 Kim ..... D18/56

(Continued)

**FOREIGN PATENT DOCUMENTS**

JP D1641193 \* 3/2022  
JP D1641194 \* 3/2022

(Continued)

**OTHER PUBLICATIONS**

Amazon. Link: [https://www.amazon.com/Brother-MFC-J1205W-INKvestment-Wireless-Multi-Function/dp/B092YXNZT6/ref=sr\\_1\\_2?crd=23W6JC4RRCsOD&keywords=B092YXNZT6&qid=1650471122&s=electronics&sprefix=b092yxnzt6%2Celectronics%2C102&sr=1-2](https://www.amazon.com/Brother-MFC-J1205W-INKvestment-Wireless-Multi-Function/dp/B092YXNZT6/ref=sr_1_2?crd=23W6JC4RRCsOD&keywords=B092YXNZT6&qid=1650471122&s=electronics&sprefix=b092yxnzt6%2Celectronics%2C102&sr=1-2). Jun. 17, 2021. Brother MFC-J1205W INKvestment Printer. (Year: 2021).\*

(Continued)

*Primary Examiner* — Lauren D McVey  
(74) *Attorney, Agent, or Firm* — Oliff PLC

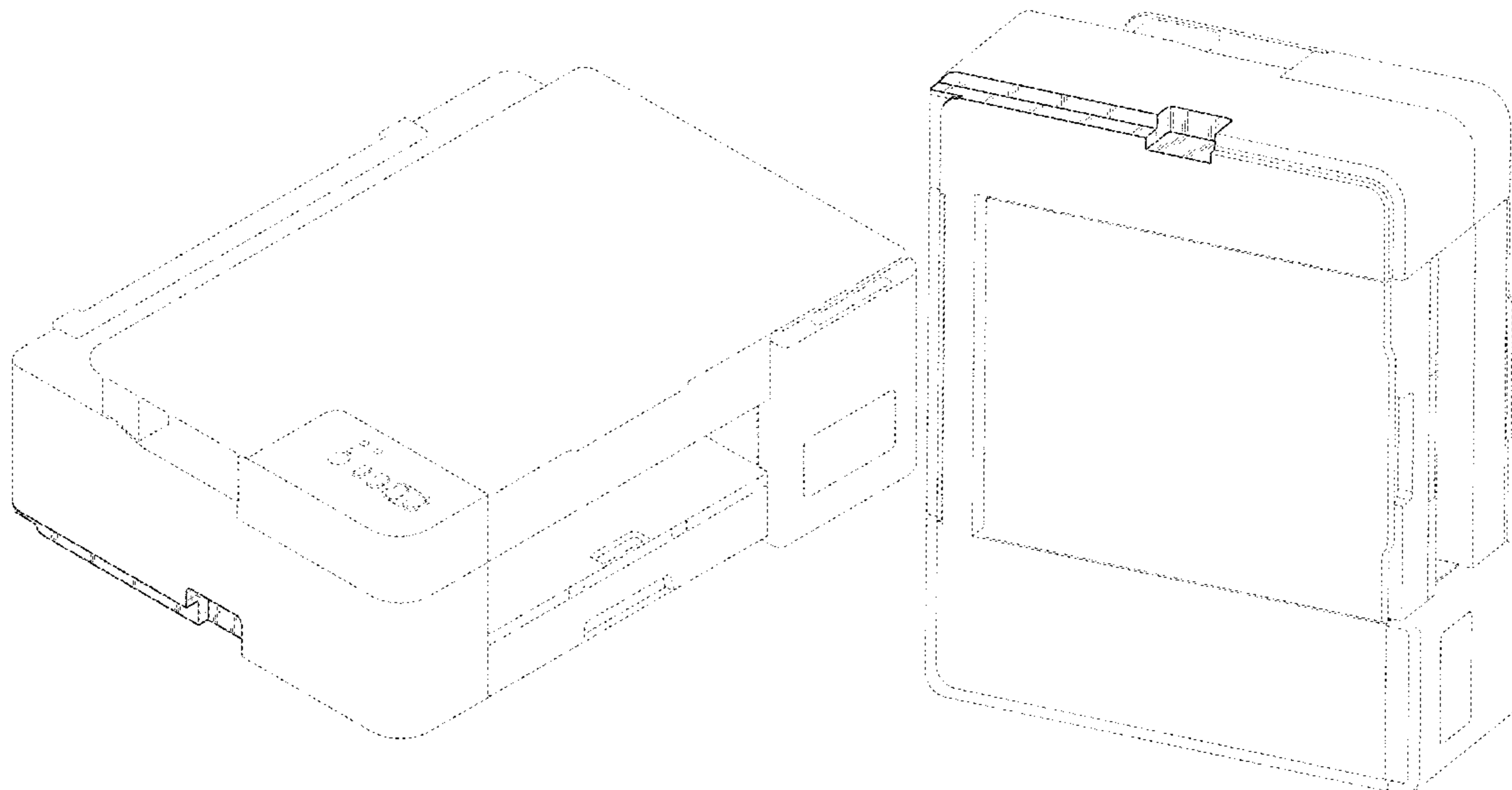
(57) **CLAIM**

The ornamental design for a printer, as shown and described.

**DESCRIPTION**

FIG. 1 is a top, left perspective view of the printer;  
FIG. 2 is a front elevational view thereof;  
FIG. 3 is a top plan view thereof;  
FIG. 4 is a right-side elevational view thereof;  
FIG. 5 is a left-side elevational view thereof;  
FIG. 6 is a rear elevational view thereof;  
FIG. 7 is a bottom plan view thereof; and,  
FIG. 8 is bottom, left perspective view thereof.  
The evenly spaced broken lines depict unclaimed parts of the printer and form no part of the claimed design. The dot-dash chain lines depict a boundary of the claimed subject matter and form no part of the claimed design.

**1 Claim, 8 Drawing Sheets**



(56)

**References Cited**

U.S. PATENT DOCUMENTS

D815,683 S \* 4/2018 Tanaka ..... D18/50  
D842,711 S \* 3/2019 Katayama ..... D10/49

FOREIGN PATENT DOCUMENTS

JP D1641200 \* 3/2022  
JP D1643042 \* 3/2022

OTHER PUBLICATIONS

Amazon. Link: [https://www.amazon.com/Brother-MFC-J1215W-INKvestment-Wireless-Printer/dp/B096S46LT9/ref=sr\\_1\\_20?crid=117B0679L0BK4&keywords=Brother+INKvestmentTank&qid=1650476923&s=electronics&sprefix=brother+inkvestmenttank%2Celectronics%2C107&sr=1-20](https://www.amazon.com/Brother-MFC-J1215W-INKvestment-Wireless-Printer/dp/B096S46LT9/ref=sr_1_20?crid=117B0679L0BK4&keywords=Brother+INKvestmentTank&qid=1650476923&s=electronics&sprefix=brother+inkvestmenttank%2Celectronics%2C107&sr=1-20). Jun. 7, 2021. Brother MFC-J1215W INKvestment Printer.\*

\* cited by examiner

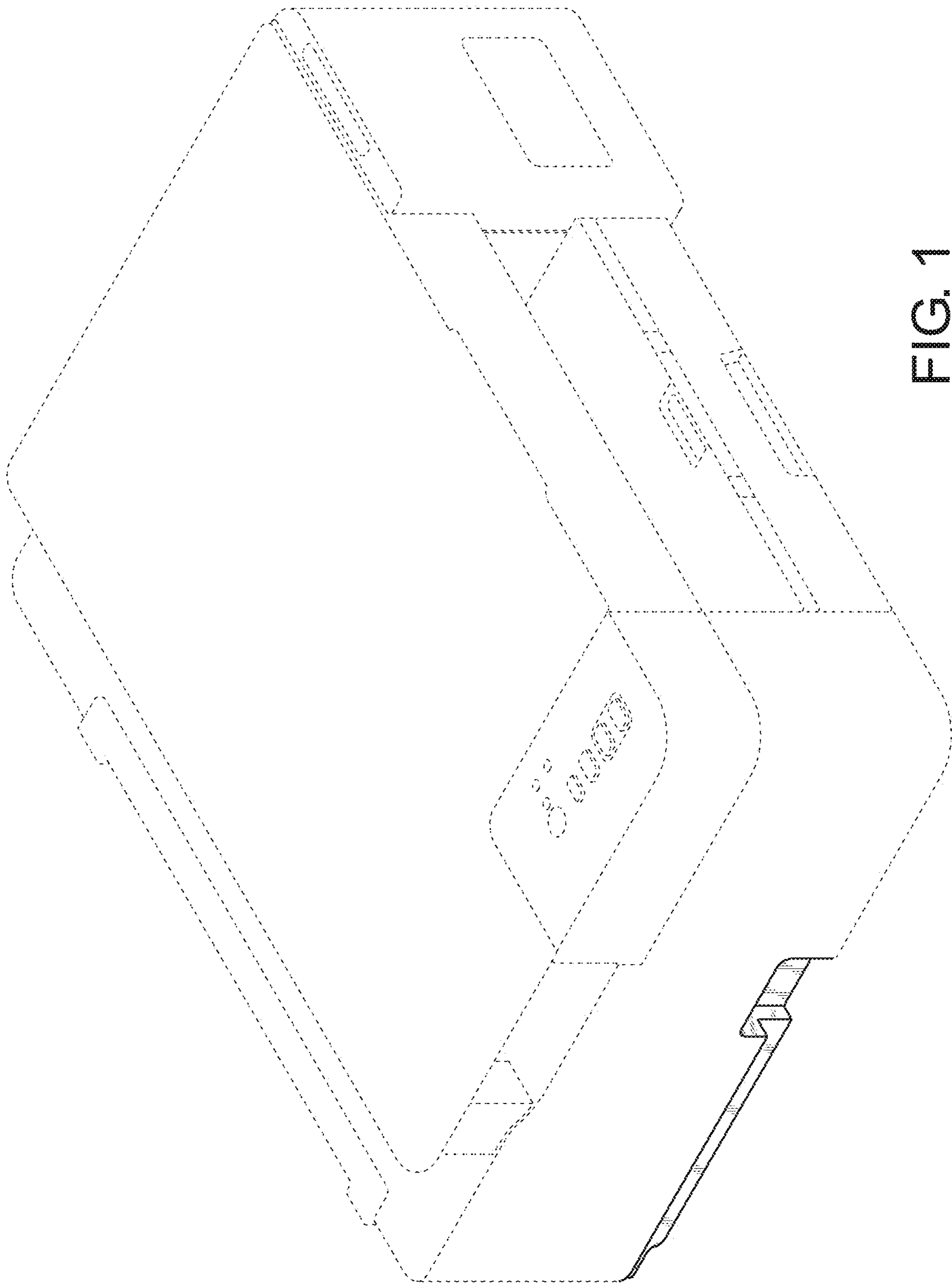


FIG. 1

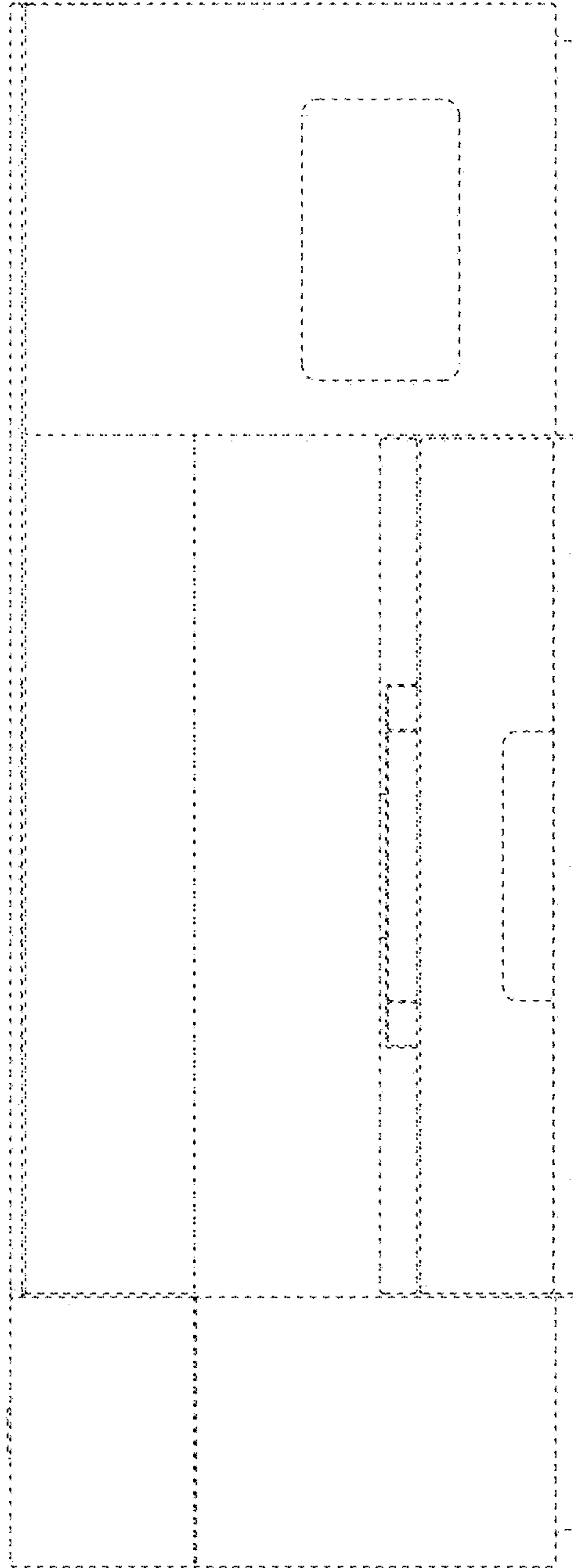


FIG. 2

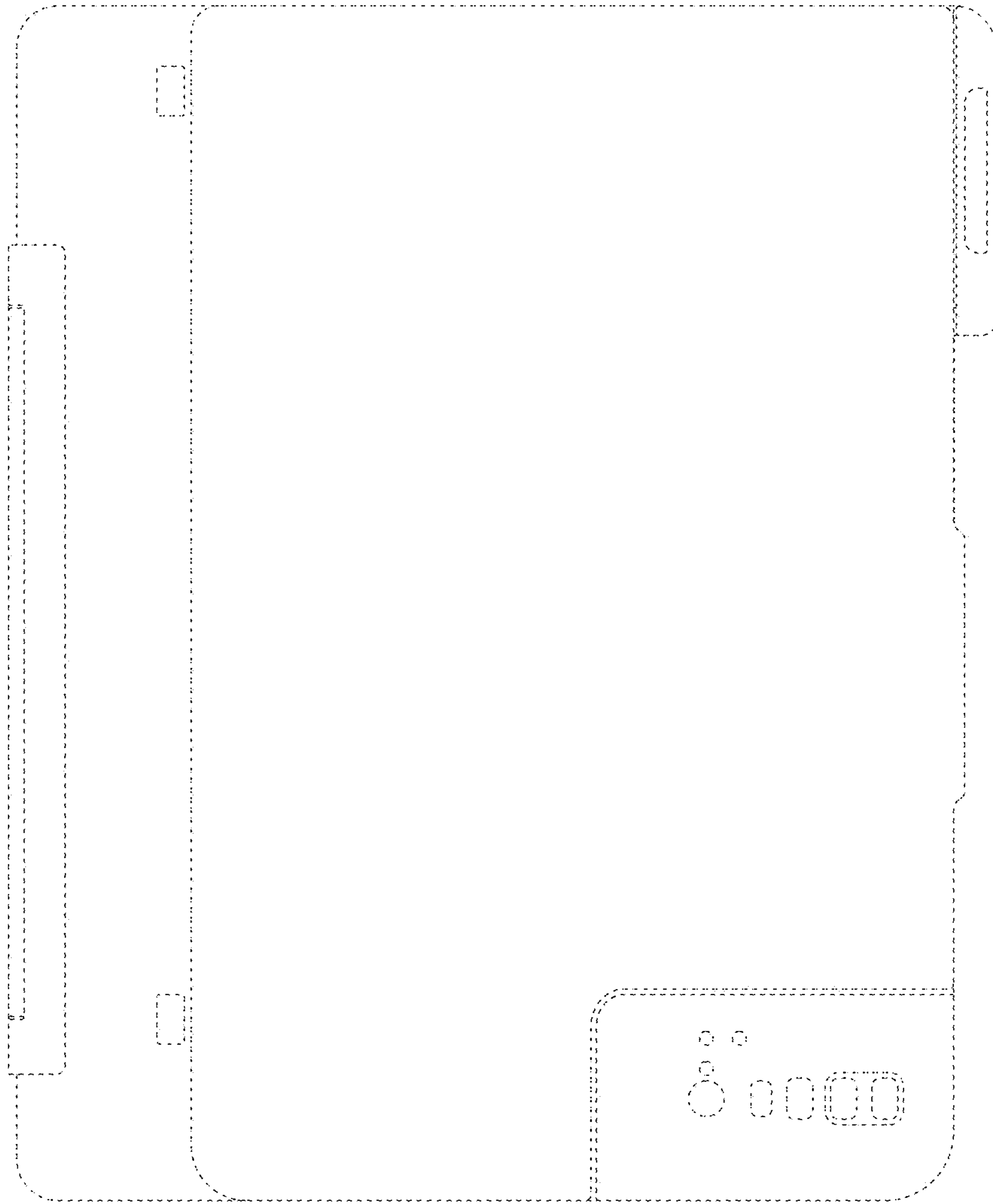


FIG. 3

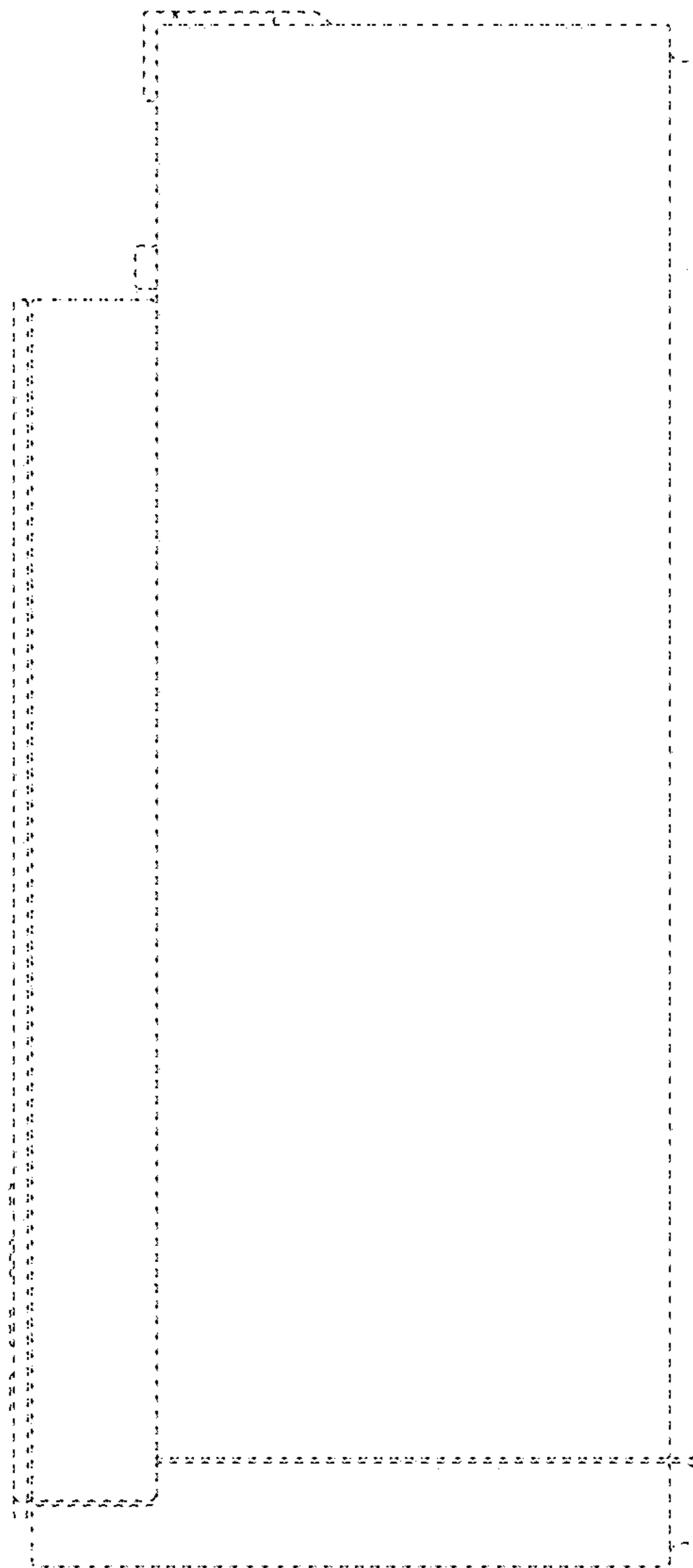


FIG. 4

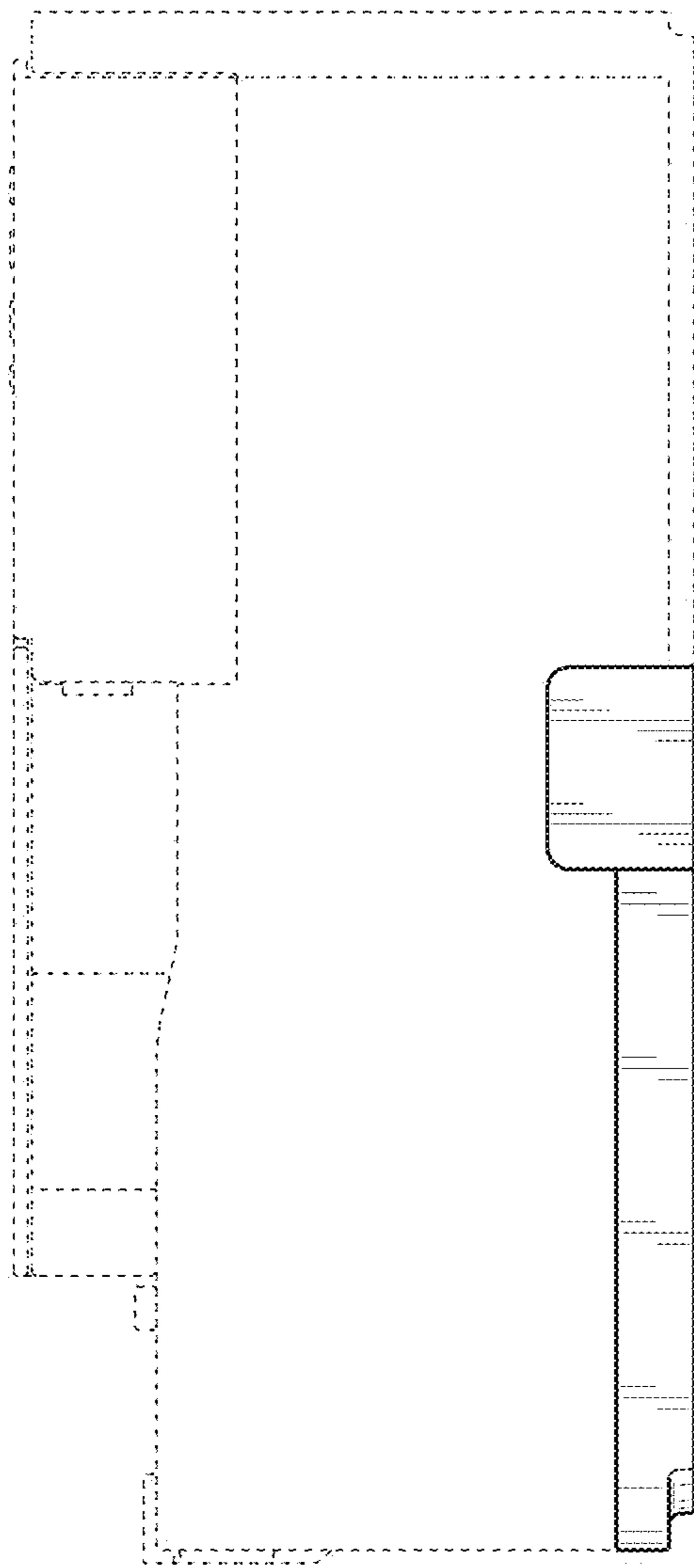


FIG. 5

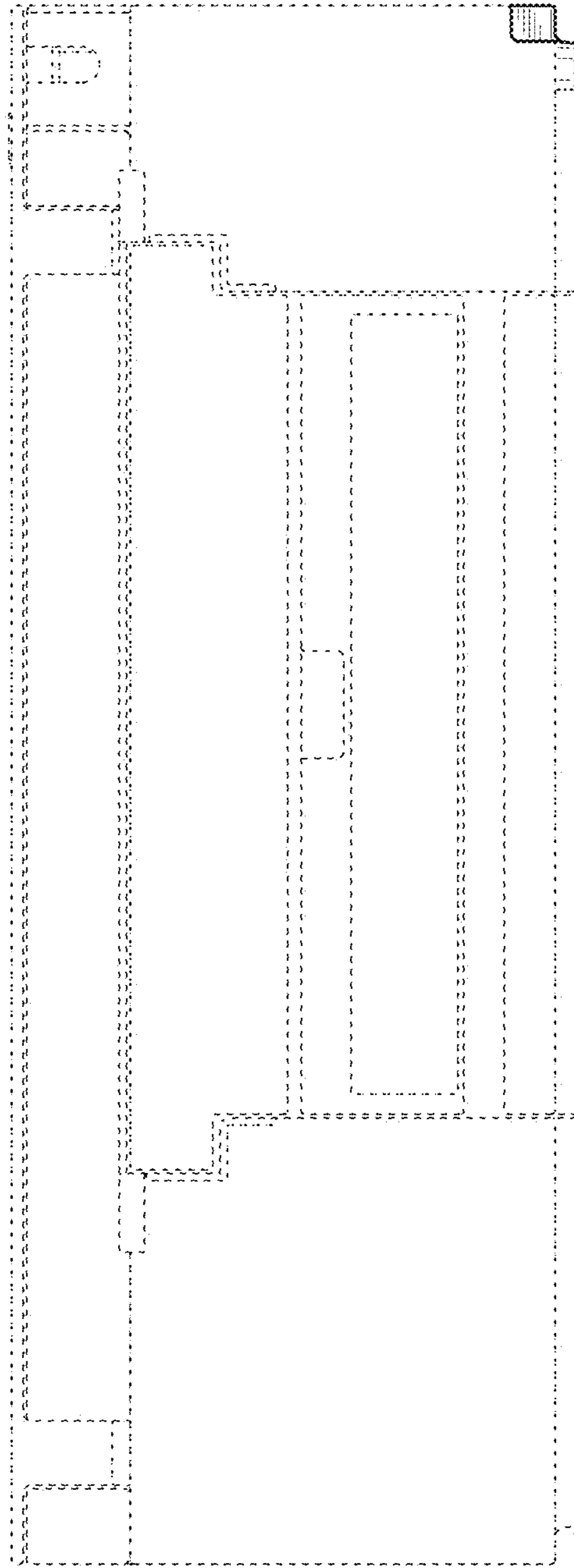


FIG. 6



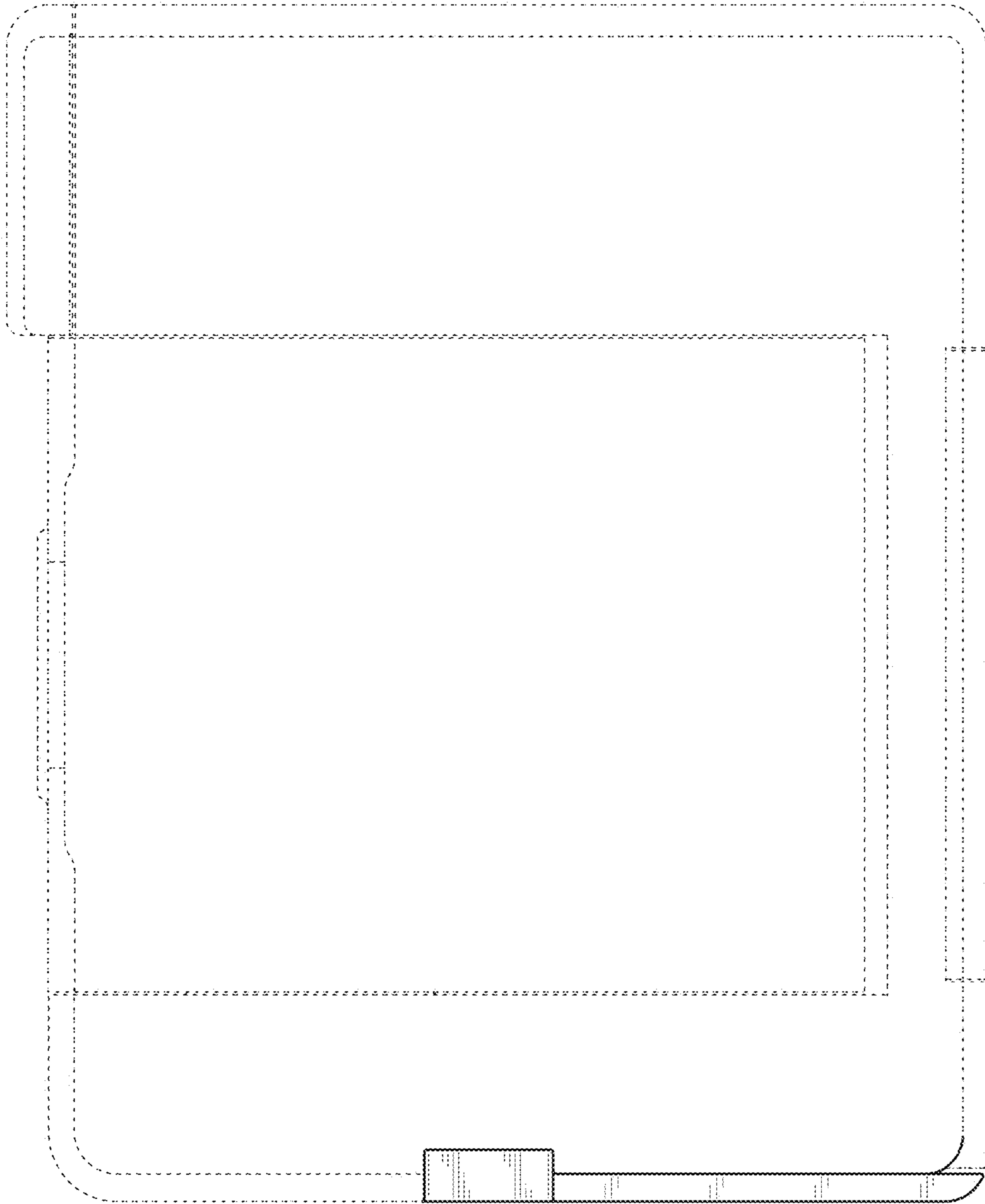


FIG. 7

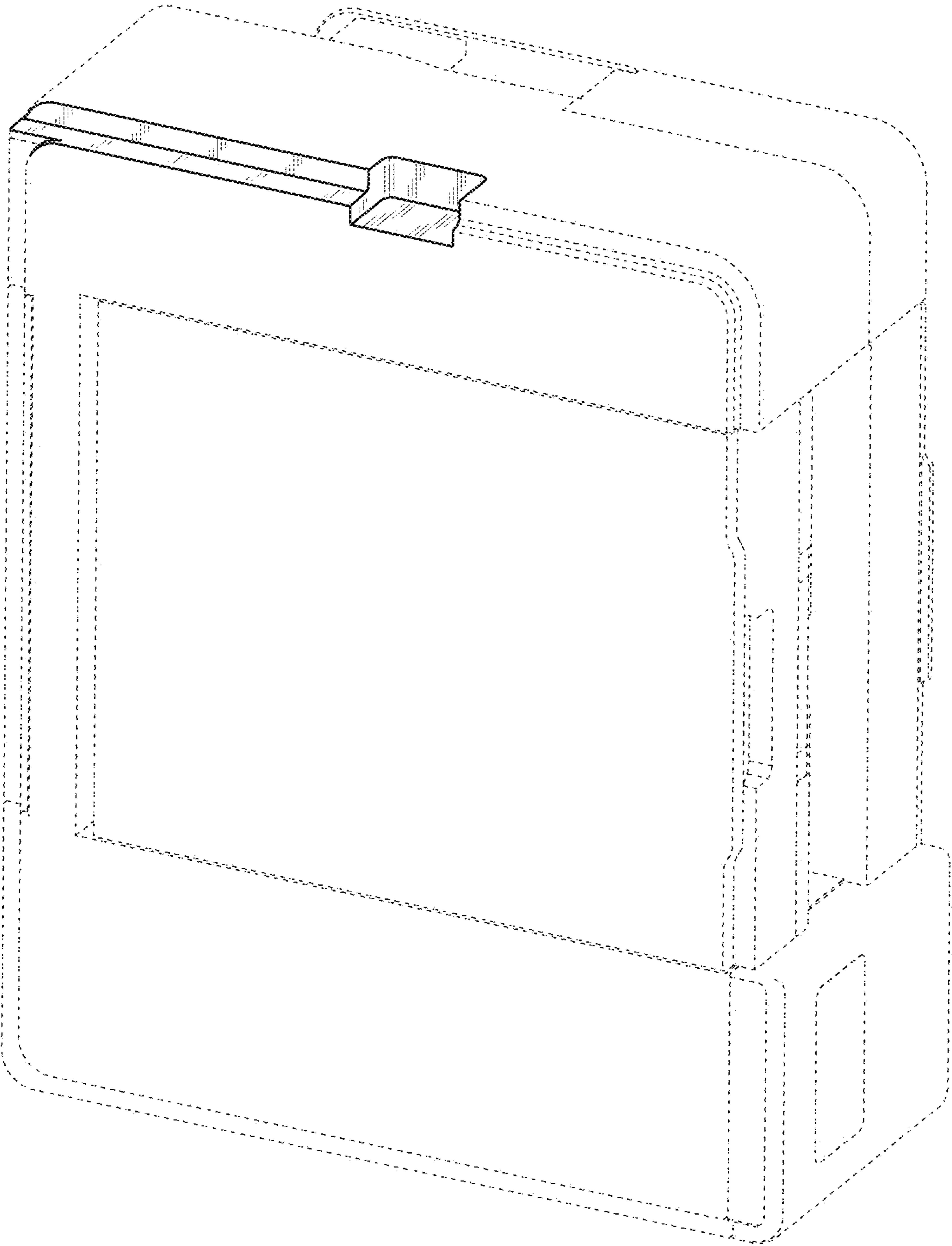


FIG. 8