

US00D965059S

(12) **United States Design Patent** (10) **Patent No.:** **US D965,059 S**
Mabuchi et al. (45) **Date of Patent:** **** Sep. 27, 2022**

(54) **PAPER FEEDING DEVICE FOR PHOTOCOPIER**

(71) Applicant: **CANON KABUSHIKI KAISHA**, Tokyo (JP)

(72) Inventors: **Tomoaki Mabuchi**, Tokyo (JP); **Daisuke Sato**, Tokyo (JP); **Naohiro Seki**, Tokyo (JP); **Daijiro Nagasaki**, Tokyo (JP); **Hideki Hayashi**, Tokyo (JP)

(**) Term: **15 Years**

(21) Appl. No.: **35/511,227**

(22) Filed: **Jul. 29, 2020**

(80) **Hague Agreement Data**

Int. Filing Date: **Jul. 29, 2020**
Int. Reg. No.: **DM/209943**
Int. Reg. Date: **Jul. 29, 2020**
Int. Reg. Pub. Date: **Jan. 29, 2021**

(30) **Foreign Application Priority Data**

Jan. 30, 2020 (JP) 2020-001614D

(51) **LOC (13) Cl.** **18-03**

(52) **U.S. Cl.**
USPC **D18/44**

(58) **Field of Classification Search**

USPC D14/420-425; D18/14, 19, 36-39, 44, D18/50, 53, 54, 54.1, 55; D15/122, 135
CPC B33Y 10/00; B33Y 30/00; B33Y 80/00; B33Y 50/02; B33Y 50/00; B33Y 70/00; B33Y 40/00; B29C 67/0055; B29C 67/0088; B29C 67/0059; B29C 67/0085; B29C 67/0092; B29C 67/0051; B29C 67/0077; B29C 67/0081; B29C 2947/92571; B29C 47/0004; B29C 47/0014; B29C 47/0813; B29C 47/92; B29C 67/007; B29C 67/0096; B29C 2043/182; B29C 2043/189; B29C

2793/0081; B29C 2793/009; B29C 2947/9258; B29C 2947/92704; B29C 2947/92904; B29C 35/0805; B29C 43/18; B29C 44/1271; B29C 45/14819; B29C 47/0002; B29C 47/0066; B29C 47/026; B29C 47/0801; B29C 47/0811; B29C 47/1045; B29C 47/48; B29C 47/522; B29C 47/786; B29C 47/86; B29C 47/862; B29C 67/0066; B29C 67/0074

See application file for complete search history.

(56) **References Cited**

U.S. PATENT DOCUMENTS

D299,929	S	*	2/1989	Yomo	D18/44
D319,465	S	*	8/1991	Isomoto	D18/44
D556,252	S	*	11/2007	Yamagata	D18/44
D845,385	S	*	4/2019	Cesar	D18/53
D870,203	S	*	12/2019	Grossmann	D18/53
D875,826	S	*	2/2020	Zanzotti	D18/53
D875,827	S	*	2/2020	Zanzotti	D18/53

(Continued)

Primary Examiner — Khawaja Anwar

(57) **CLAIM**

The ornamental design for a paper feeding device for photocopier, as shown and described.

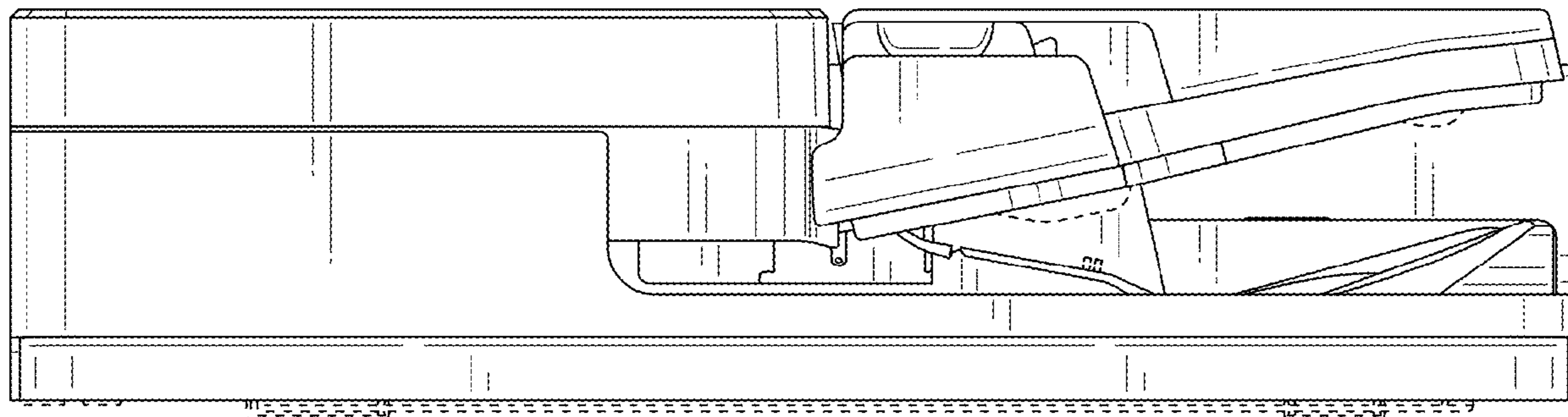
DESCRIPTION

Paper feeding device for photocopier

- 1.1 : Front
- 1.2: Back
- 1.3: Top
- 1.4: Bottom
- 1.5 : Left
- 1.6: Right
- 1.7 : Perspective

The broken lines illustrate portions of the paper feeding device for photocopier that form no part of the claimed design.

1 Claim, 7 Drawing Sheets



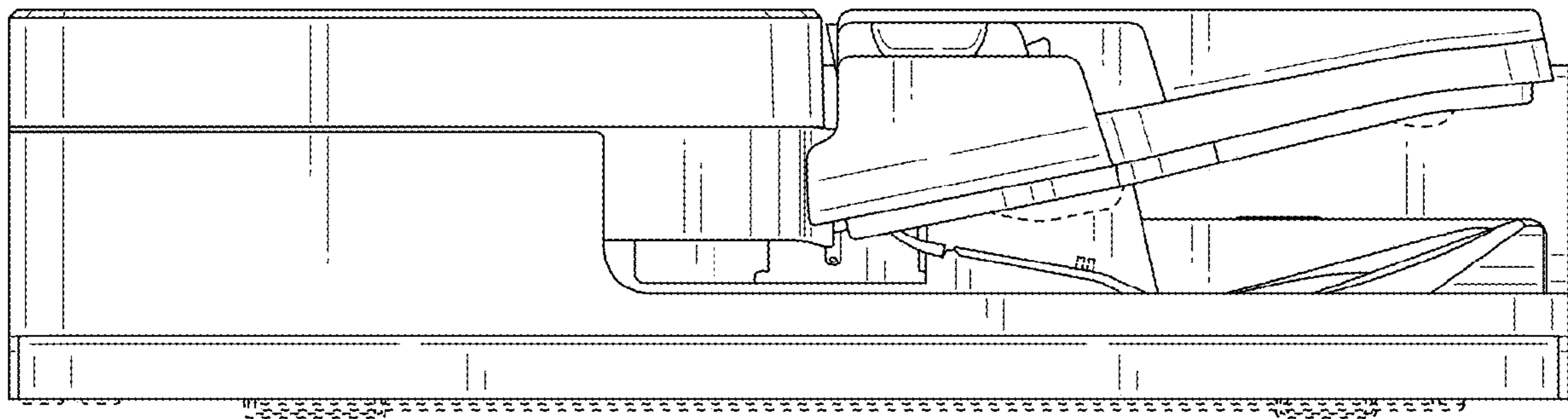
(56)

References Cited

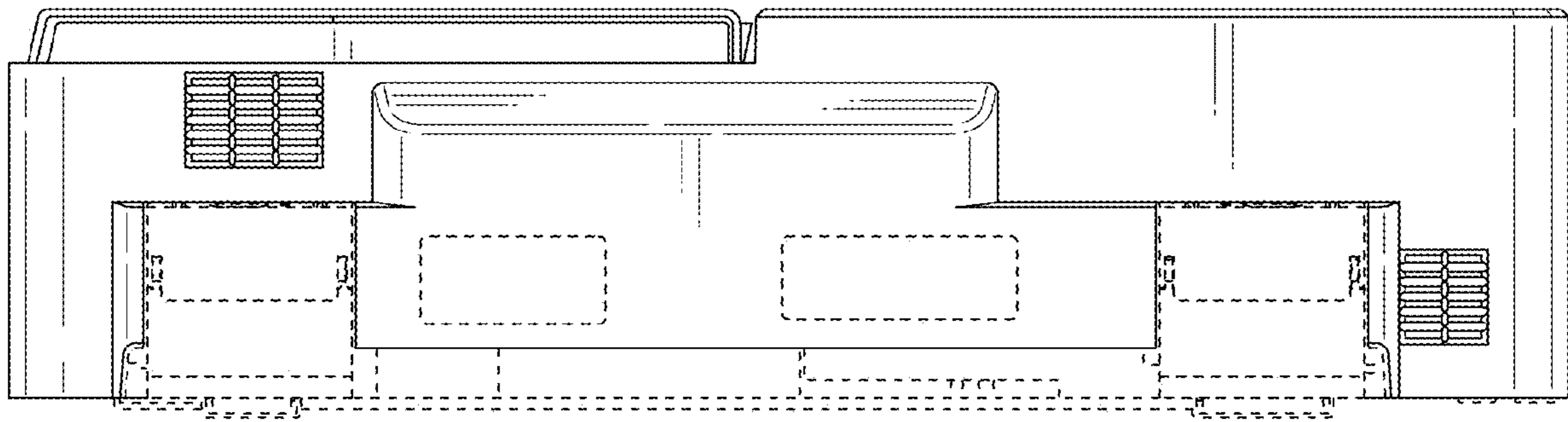
U.S. PATENT DOCUMENTS

D889,536 S * 7/2020 GroLmann G06K 15/12
D18/53

* cited by examiner

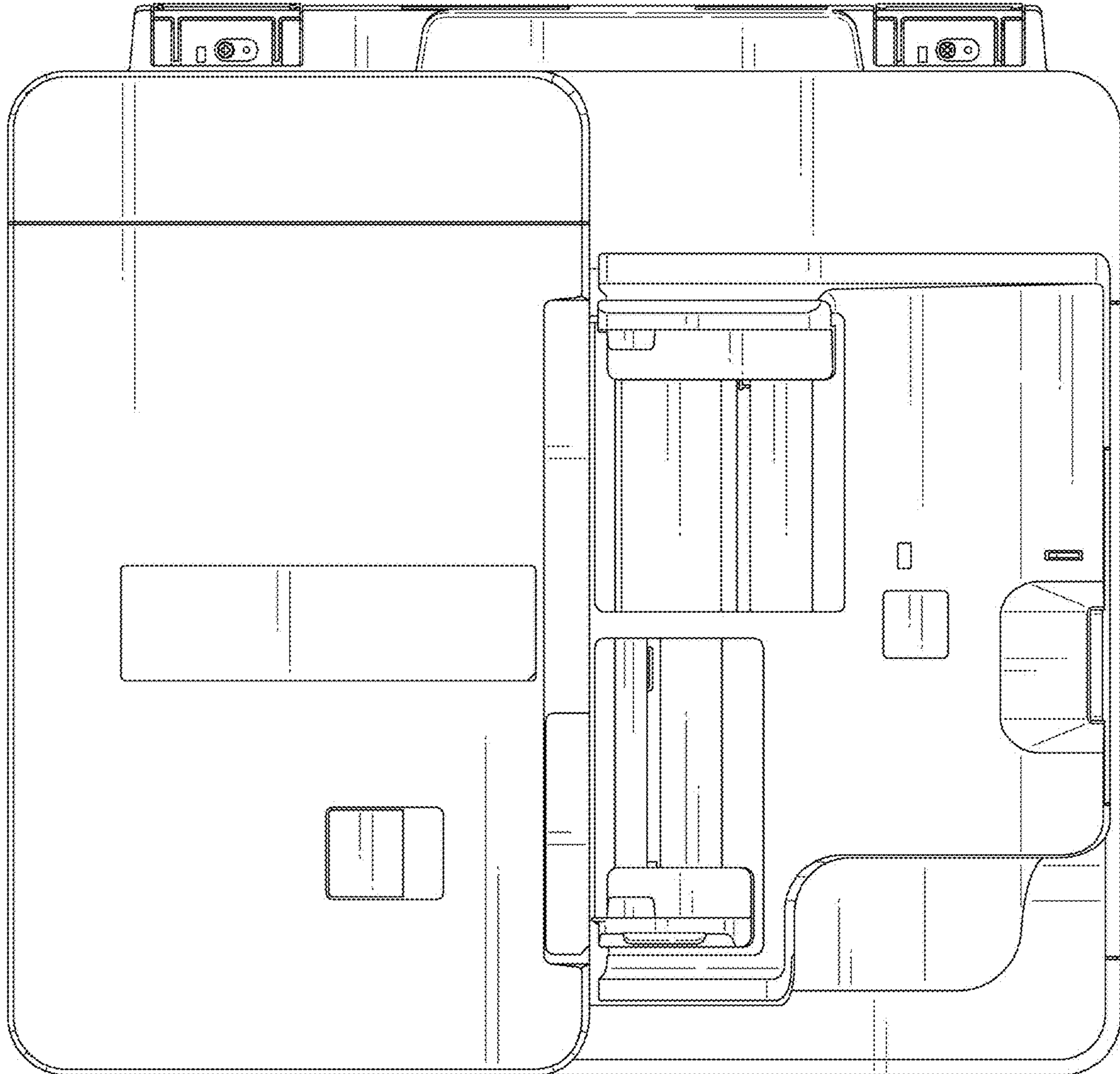


1.1

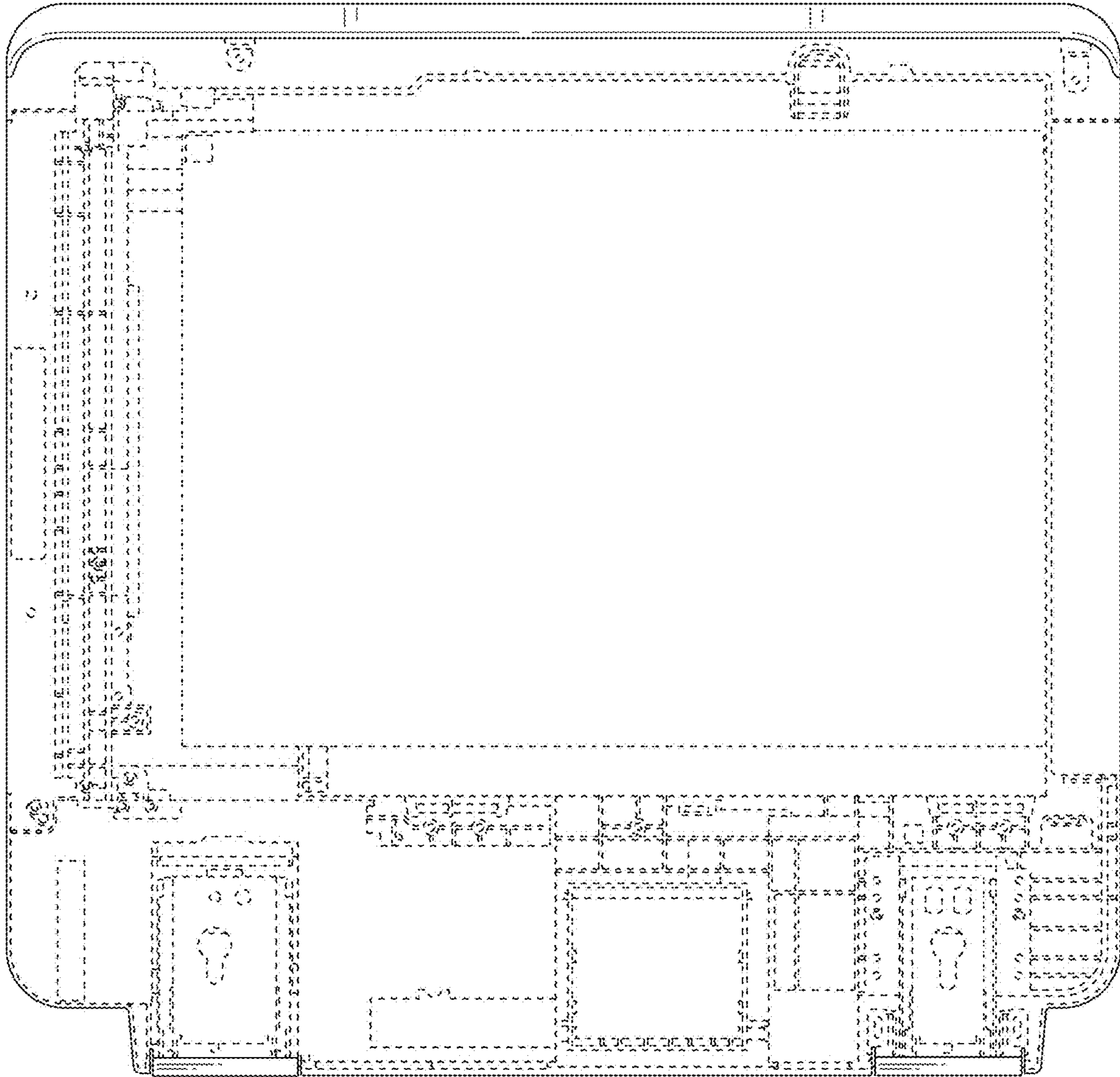


1.2

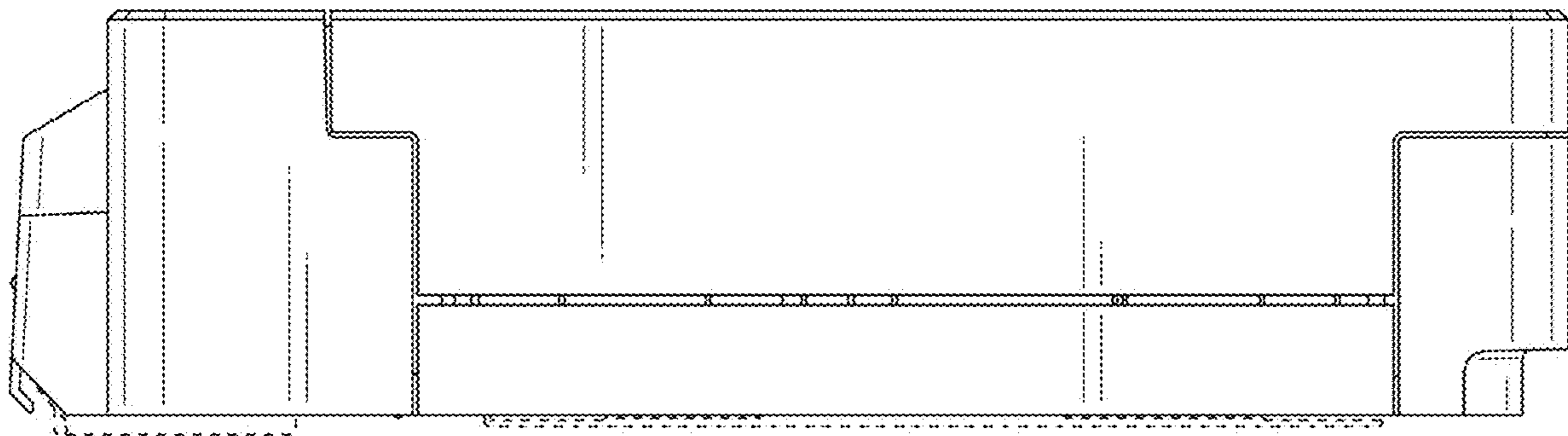
1.3

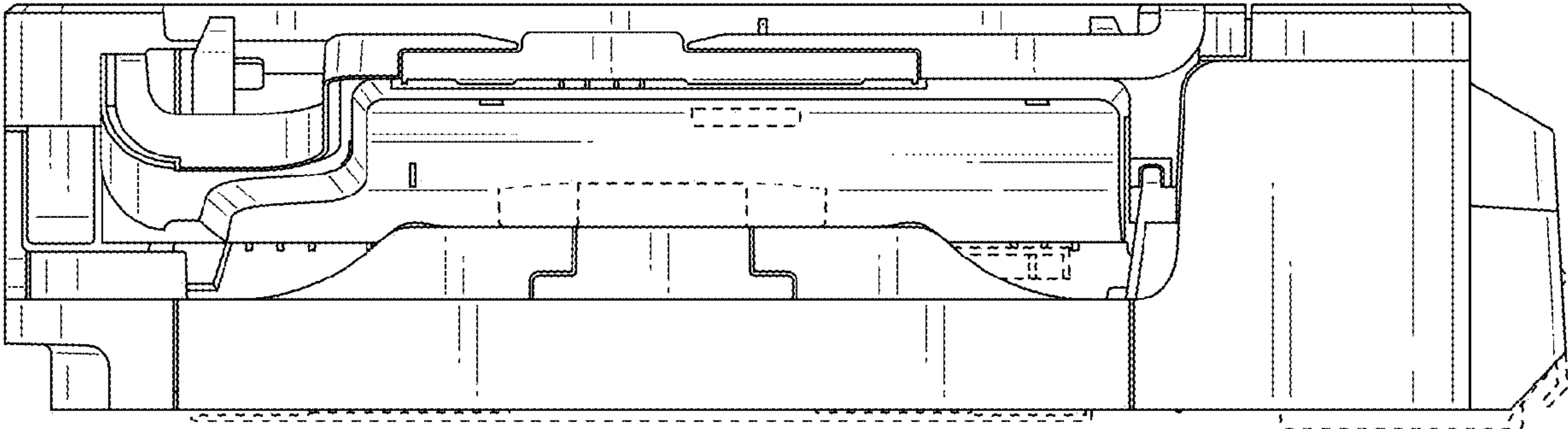


1.4



1.5





1.6

1.7

