



US00D965058S

(12) **United States Design Patent**
Liu

(10) **Patent No.:** **US D965,058 S**

(45) **Date of Patent:** **** Sep. 27, 2022**

(54) **ELECTRIC GUITAR**

(71) Applicant: **Liwei Liu**, Tianjin (CN)

(72) Inventor: **Liwei Liu**, Tianjin (CN)

(**) Term: **15 Years**

(21) Appl. No.: **29/805,124**

(22) Filed: **Aug. 25, 2021**

(51) **LOC (13) Cl.** **17-03**

(52) **U.S. Cl.**
USPC **D17/14**

(58) **Field of Classification Search**
USPC D17/14, 18, 19, 20
CPC .. G10D 1/00; G10D 1/04; G10D 1/05; G10D
1/08; G10D 1/085; G10D 3/06
See application file for complete search history.

(56) **References Cited**

U.S. PATENT DOCUMENTS

3,486,408	A *	12/1969	Gross	G10D 1/085 984/107
D282,177	S *	1/1986	Peavey	D17/14
5,175,387	A *	12/1992	Greory	G10D 3/06 84/304
6,118,057	A *	9/2000	Chang	G10D 3/153 84/307
9,318,080	B1 *	4/2016	Medeiros	G10H 1/32
D783,710	S *	4/2017	Kiesel	D17/14

D835,710	S *	12/2018	Wong	D17/14
D837,287	S *	1/2019	Wong	D17/14
10,304,425	B1 *	5/2019	Rose	G10D 3/16
D923,082	S	6/2021	Kashiuchi		
D926,871	S	8/2021	Kanehara		
2015/0082964	A1 *	3/2015	Kear	G10D 3/06 84/293
2022/0059059	A1 *	2/2022	Krobot	G10D 1/085

* cited by examiner

Primary Examiner — R. Johnson
(74) *Attorney, Agent, or Firm* — ScienBiziP, P.C.

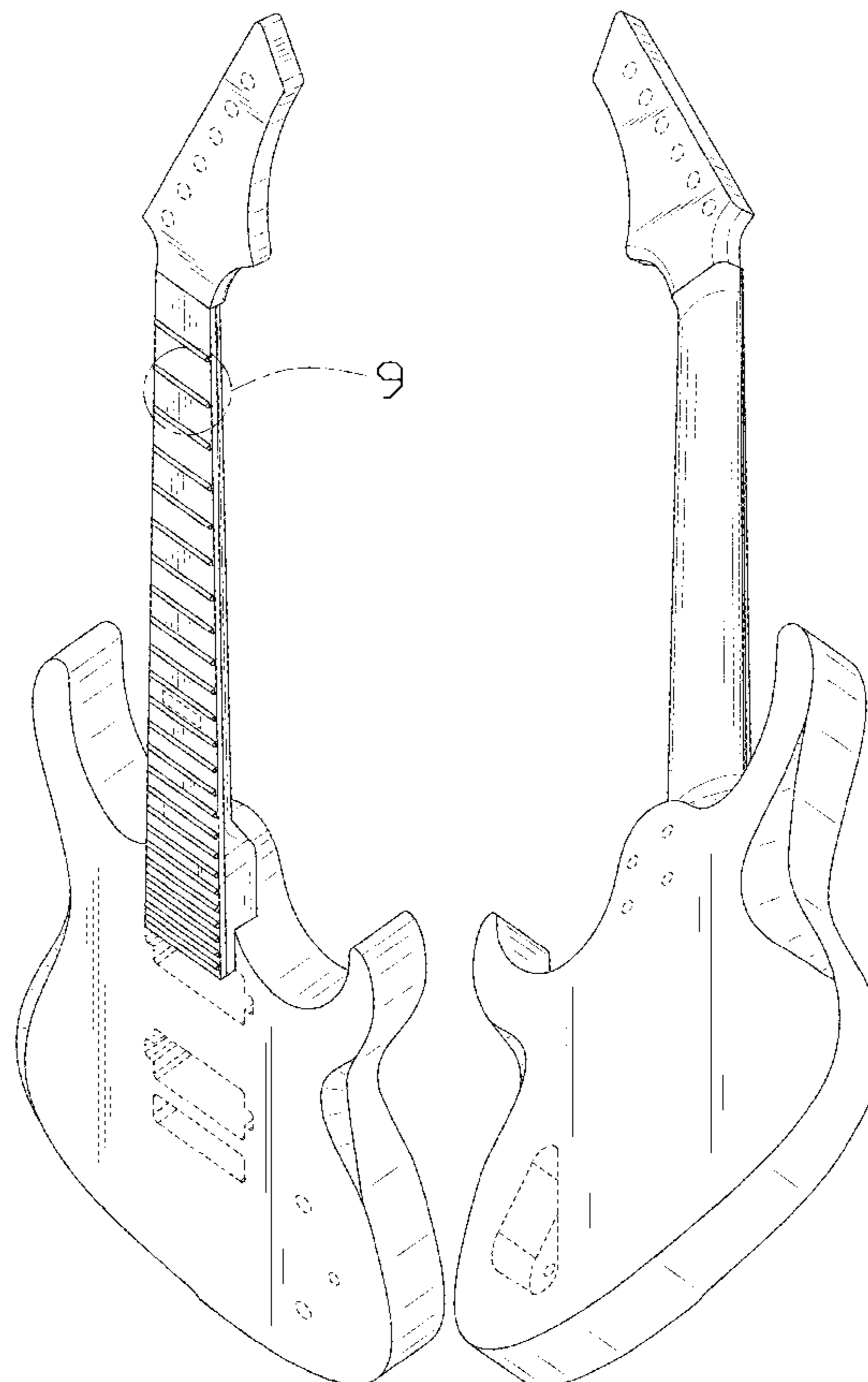
(57) **CLAIM**

The ornamental design for an electric guitar, as shown and described.

DESCRIPTION

FIG. 1 is a front, right, and top perspective view of an electric guitar, showing my design.
 FIG. 2 is a rear, left, and bottom perspective view thereof.
 FIG. 3 is a front elevation view thereof.
 FIG. 4 is a rear elevation view thereof.
 FIG. 5 is a left side elevation view thereof.
 FIG. 6 is a right side elevation view thereof.
 FIG. 7 is a top plan view thereof.
 FIG. 8 is a bottom plan view thereof; and,
 FIG. 9 is an enlarged, detail view, taken at line-9 in FIG. 1; comprising a part of the fingerboard of the electric guitar.
 The broken lines shown in the drawings are included for the purpose of illustrating portions of the electric guitar that form no part of the claimed design.

1 Claim, 9 Drawing Sheets



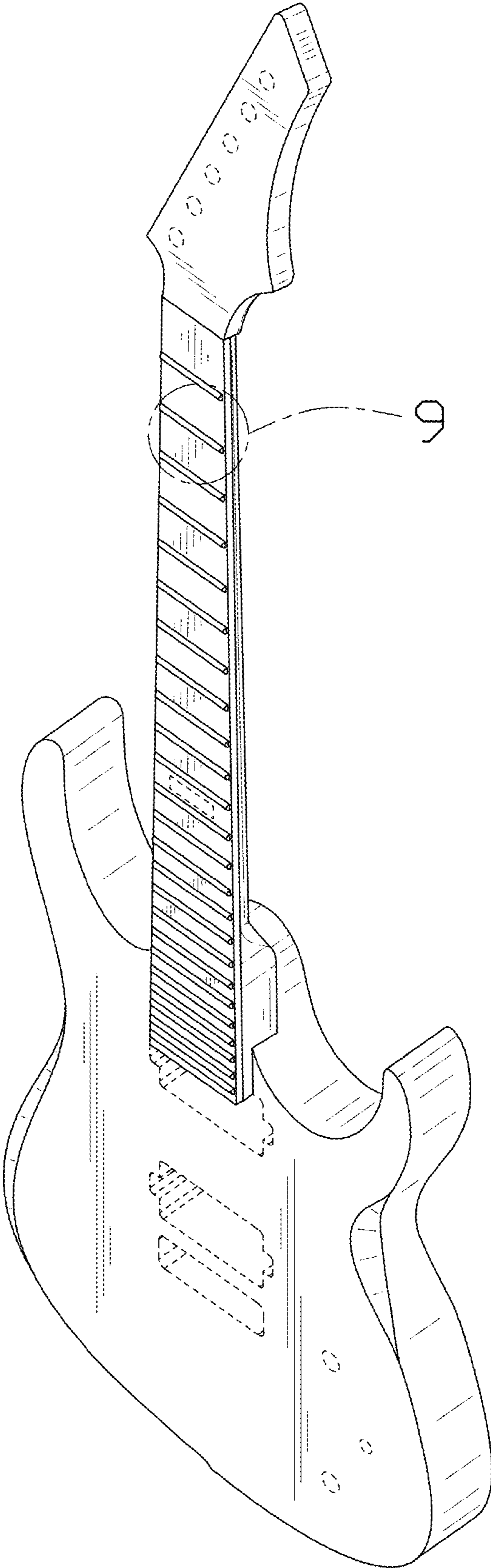


FIG. 1

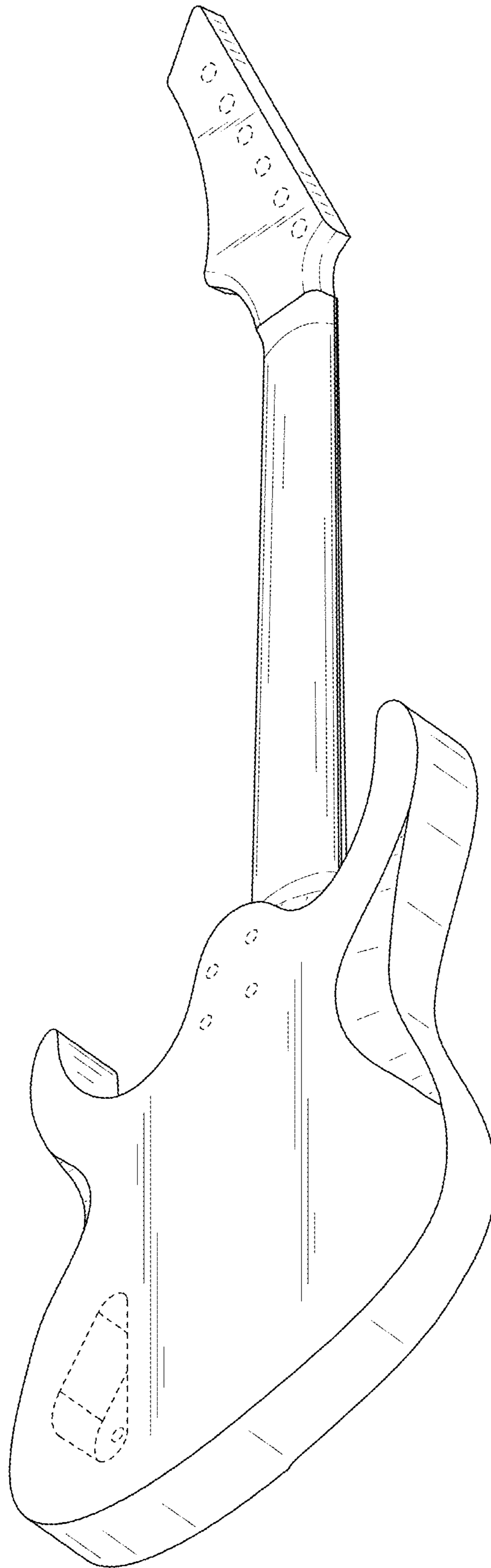


FIG. 2

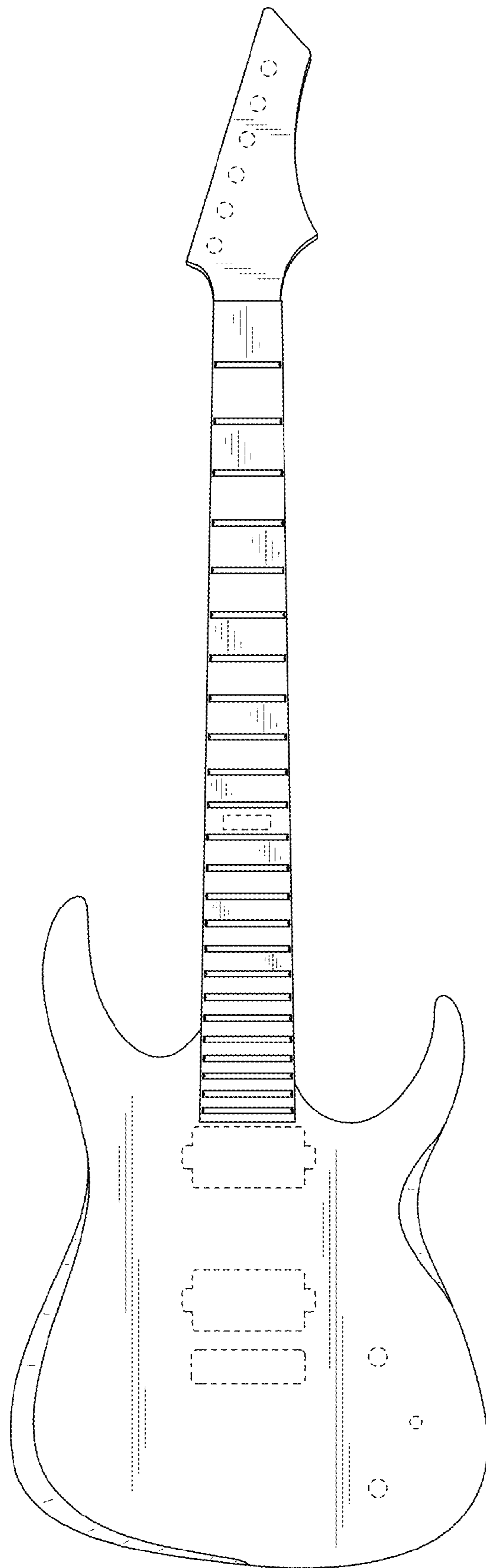


FIG. 3

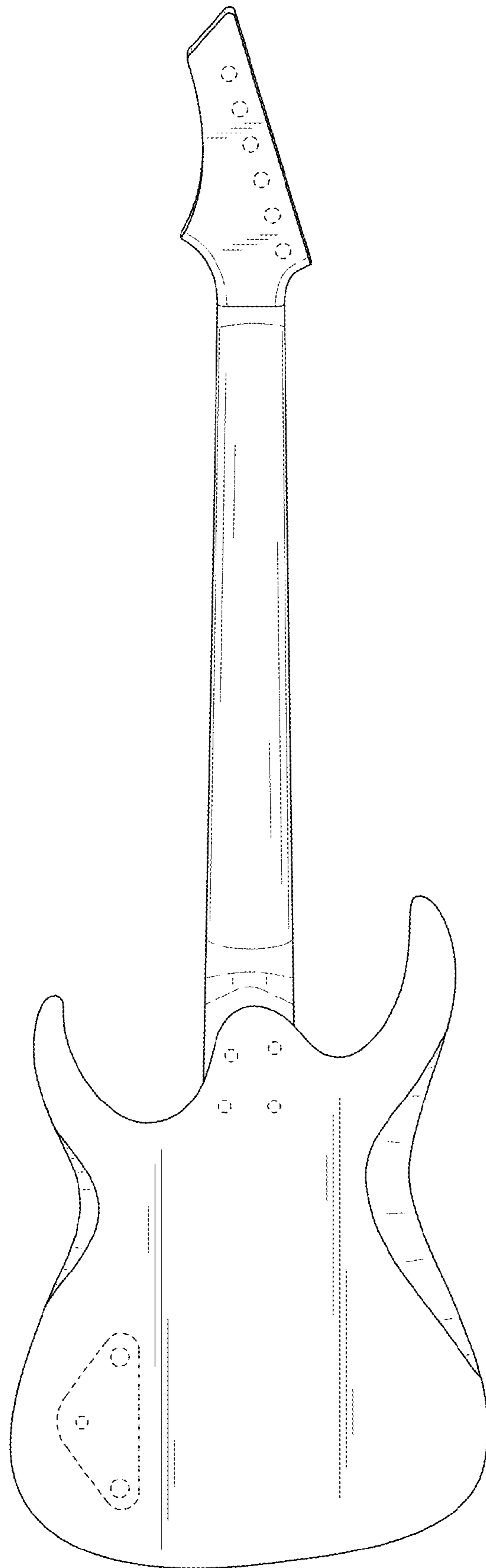


FIG. 4

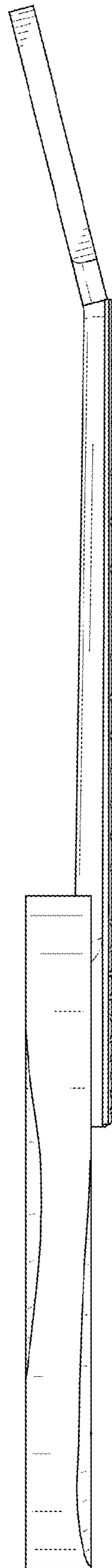


FIG. 5

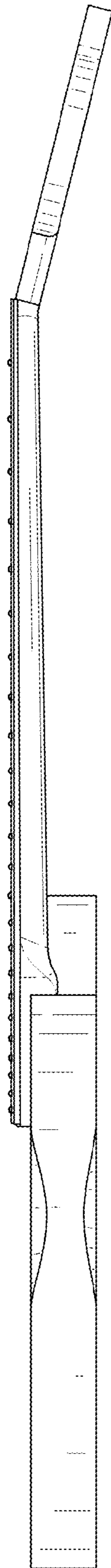


FIG. 6

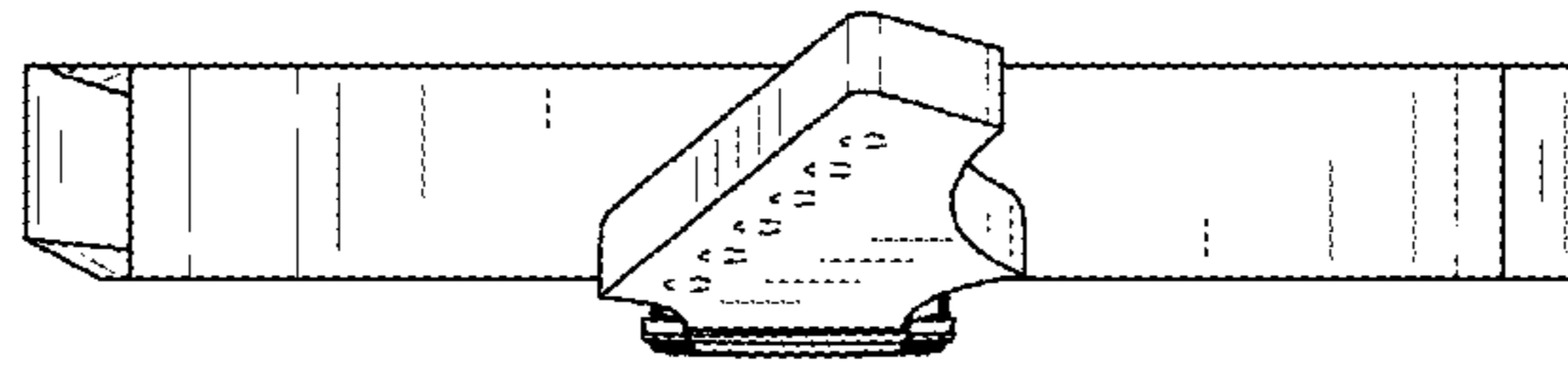


FIG. 7

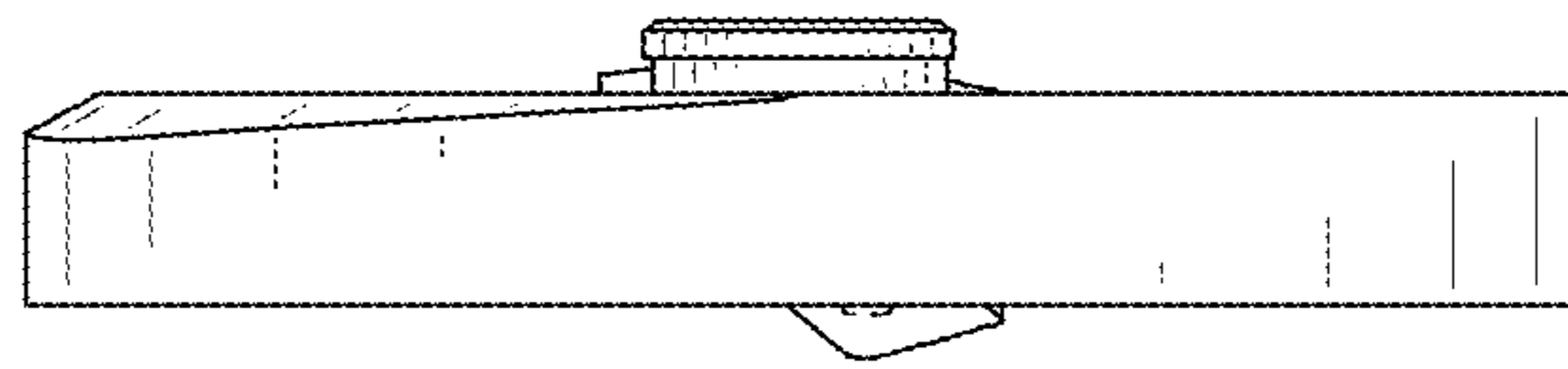


FIG. 8

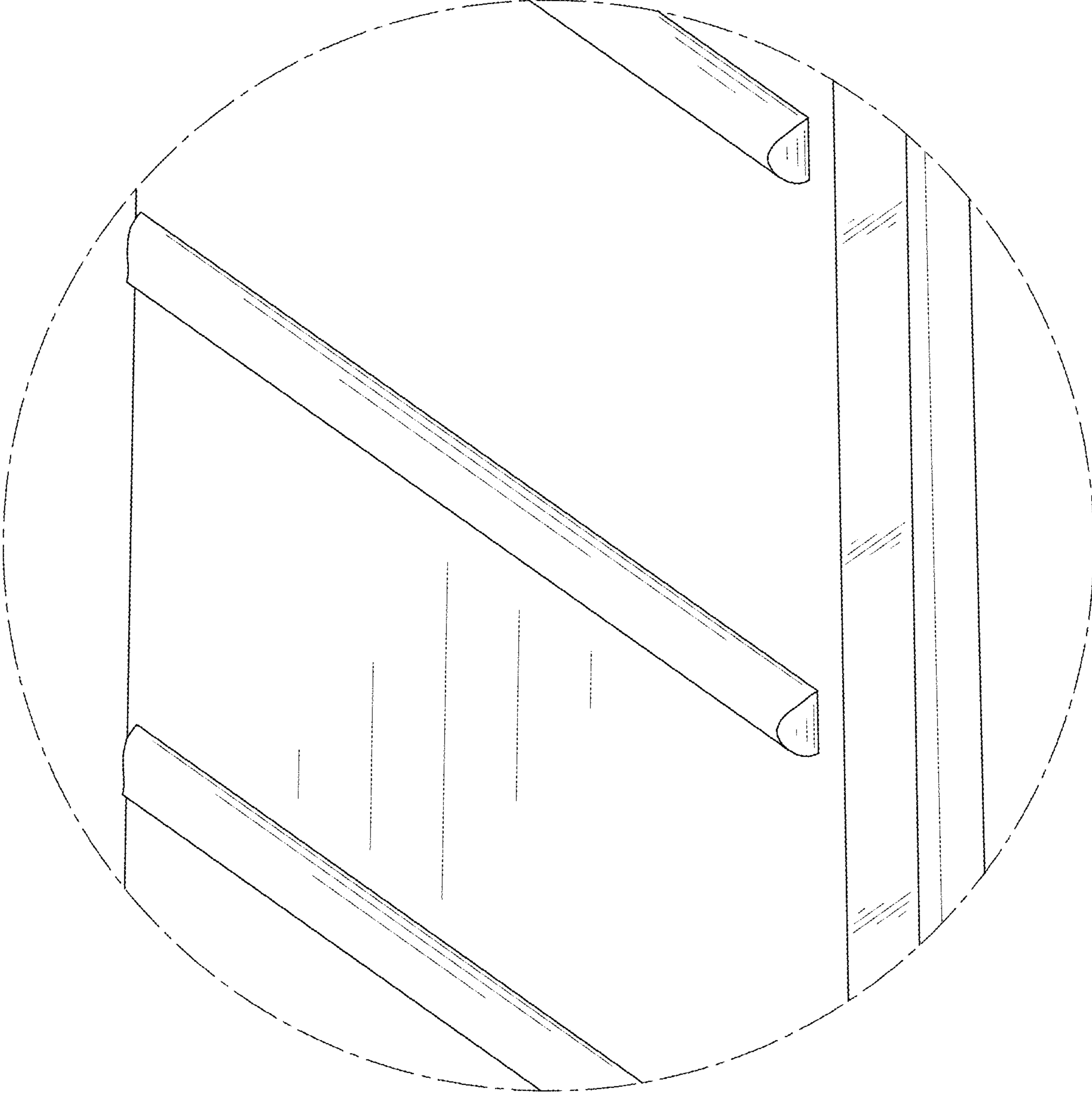


FIG. 9