



US00D965057S

(12) **United States Design Patent**  
**Huang**

(10) **Patent No.:** **US D965,057 S**  
(45) **Date of Patent:** **\*\* Sep. 27, 2022**

(54) **PIANO**

(71) Applicants: **Guangzhou Rantion Technology Co., Ltd.**, Guangzhou (CN); **Jinjiang Beisite Electric Technology Co., Ltd.**, Jinjiang (CN); **Donner Technology LLC**, Charlotte, NC (US)

(72) Inventor: **Joe Huang**, Guangzhou (CN)

(73) Assignees: **Guangzhou Rantion Technology Co., Ltd.**, Guangzhou (CN); **Jinjiang Beisite Electric Technology Co., Ltd.**, Jinjiang (CN); **Donner Technology LLC**, Charlotte, NC (US)

(\*\*) Term: **15 Years**

(21) Appl. No.: **29/791,870**

(22) Filed: **Feb. 14, 2022**

(51) **LOC (13) Cl.** ..... **17-01**

(52) **U.S. Cl.**  
USPC ..... **D17/7**

(58) **Field of Classification Search**  
USPC ..... D17/1, 2, 7, 99; D21/405, 409; D14/158, 178, 203.1  
CPC ... G10C 1/00; G10C 1/06; G10C 3/12; G10C 3/14; G10C 3/28; G10C 5/10  
See application file for complete search history.

(56) **References Cited**

**U.S. PATENT DOCUMENTS**

D177,707 S *	5/1956	Andersen	.....	D17/7
2,998,741 A *	9/1961	Thurston	.....	G10H 1/0535 84/744
3,002,412 A *	10/1961	Andersen	.....	G10H 1/344 984/345
D312,472 S *	11/1990	Esslinger	.....	D17/7
D320,404 S *	10/1991	Yamawaki	.....	D17/7
D345,372 S *	3/1994	Ida	.....	D17/7

D372,728 S *	8/1996	Mizushima	.....	D17/7
D555,189 S *	11/2007	Saito	.....	D17/7
D555,190 S *	11/2007	Saito	.....	D17/7
D574,879 S *	8/2008	Onishi	.....	D17/7
D585,930 S *	2/2009	Onishi	.....	D17/7
D610,190 S *	2/2010	Nimura	.....	D17/7
D676,899 S	2/2013	Suzuki		

**FOREIGN PATENT DOCUMENTS**

JP	11282456 A *	10/1999	
JP	2000276158 A *	10/2000	
JP	2017067913 A *	4/2017	..... G10C 1/00

**OTHER PUBLICATIONS**

Amazon.com. [https://www.amazon.com/Arturia-KeyLab88-Retro-Style-Software-230642/dp/B0784TFCGF/ref=sr\\_1\\_56?crd=1MMQPRWTDDDB12&keywords=midi+keyboard+controller&qid=1658016479&prefix=%2Caps%2C150&sr=8-56](https://www.amazon.com/Arturia-KeyLab88-Retro-Style-Software-230642/dp/B0784TFCGF/ref=sr_1_56?crd=1MMQPRWTDDDB12&keywords=midi+keyboard+controller&qid=1658016479&prefix=%2Caps%2C150&sr=8-56). "Arturia KeyLab88". Nov. 30, 2017 (Year: 2017).\*

\* cited by examiner

*Primary Examiner* — R. Johnson

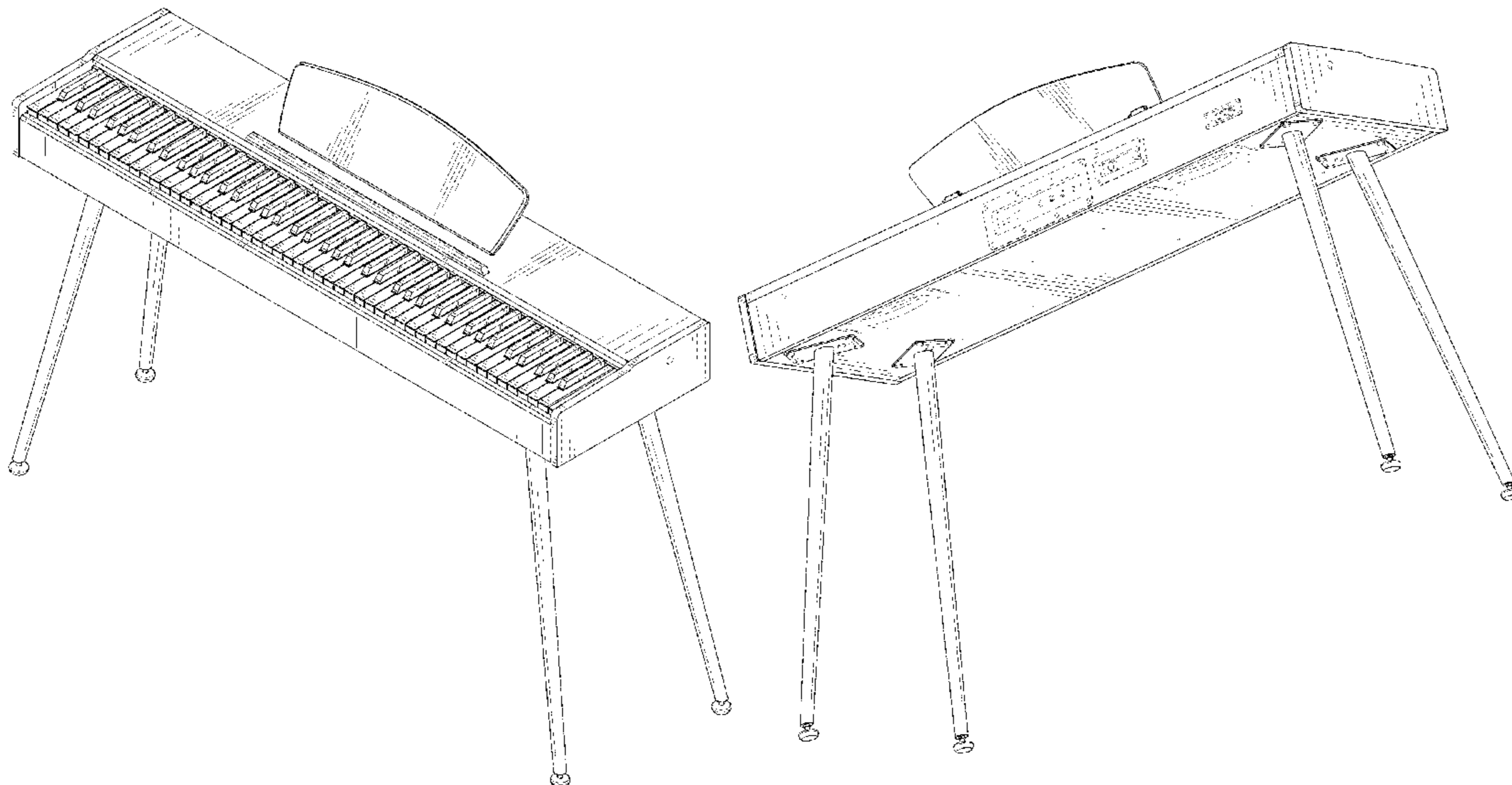
(57) **CLAIM**

The ornamental design for a piano, as shown and described.

**DESCRIPTION**

FIG. 1 is a front and top perspective view of a piano, showing my new design;  
FIG. 2 is a rear and bottom perspective view thereof;  
FIG. 3 is a front elevation view thereof;  
FIG. 4 is a rear elevation view thereof;  
FIG. 5 is a left side elevation view thereof;  
FIG. 6 is a right side elevation view thereof;  
FIG. 7 is a top plan view thereof; and,  
FIG. 8 is a bottom plan view thereof.  
The broken lines in the figures illustrate portions of the piano that form no part of the claimed design.

**1 Claim, 8 Drawing Sheets**



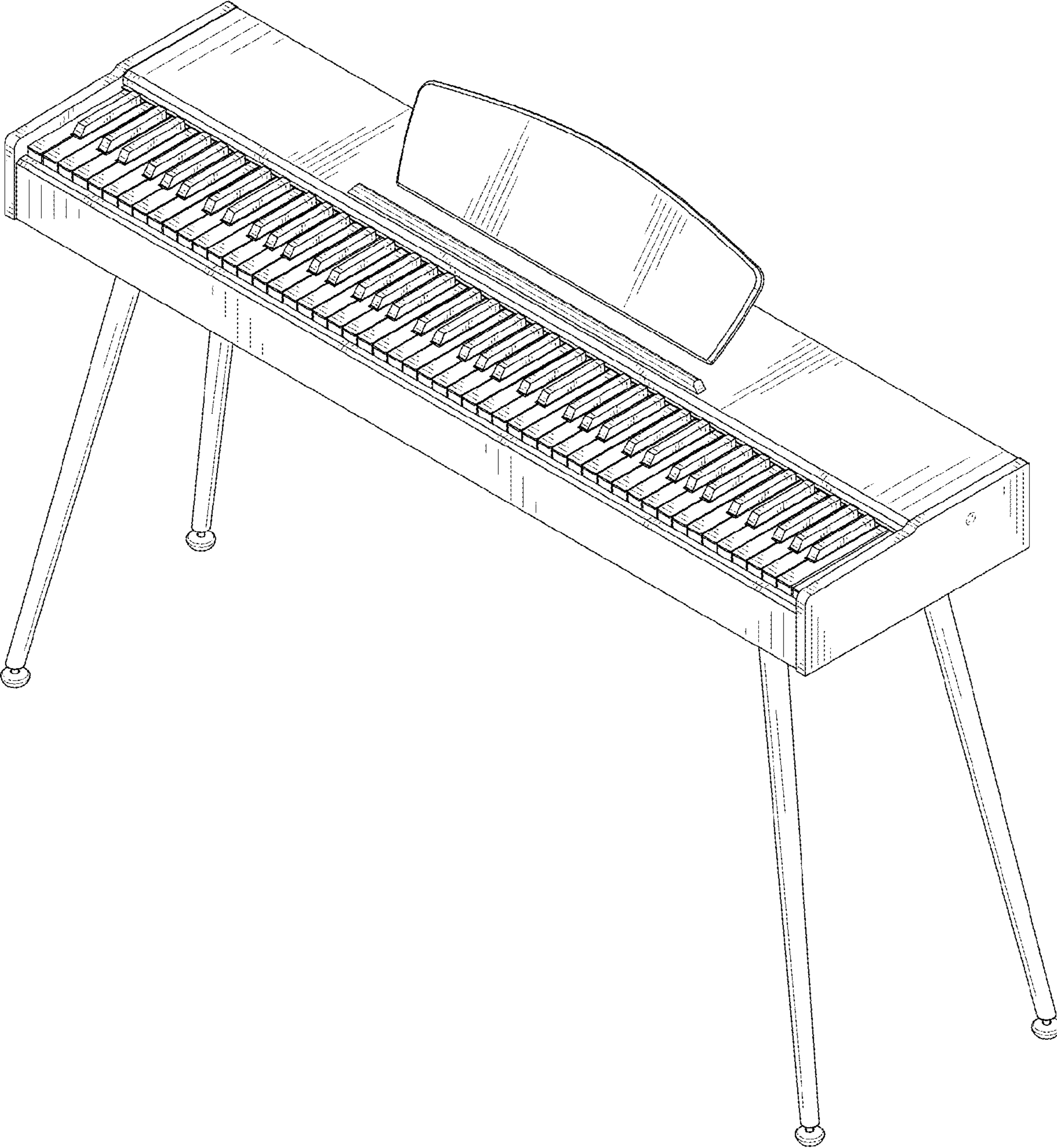


FIG. 1

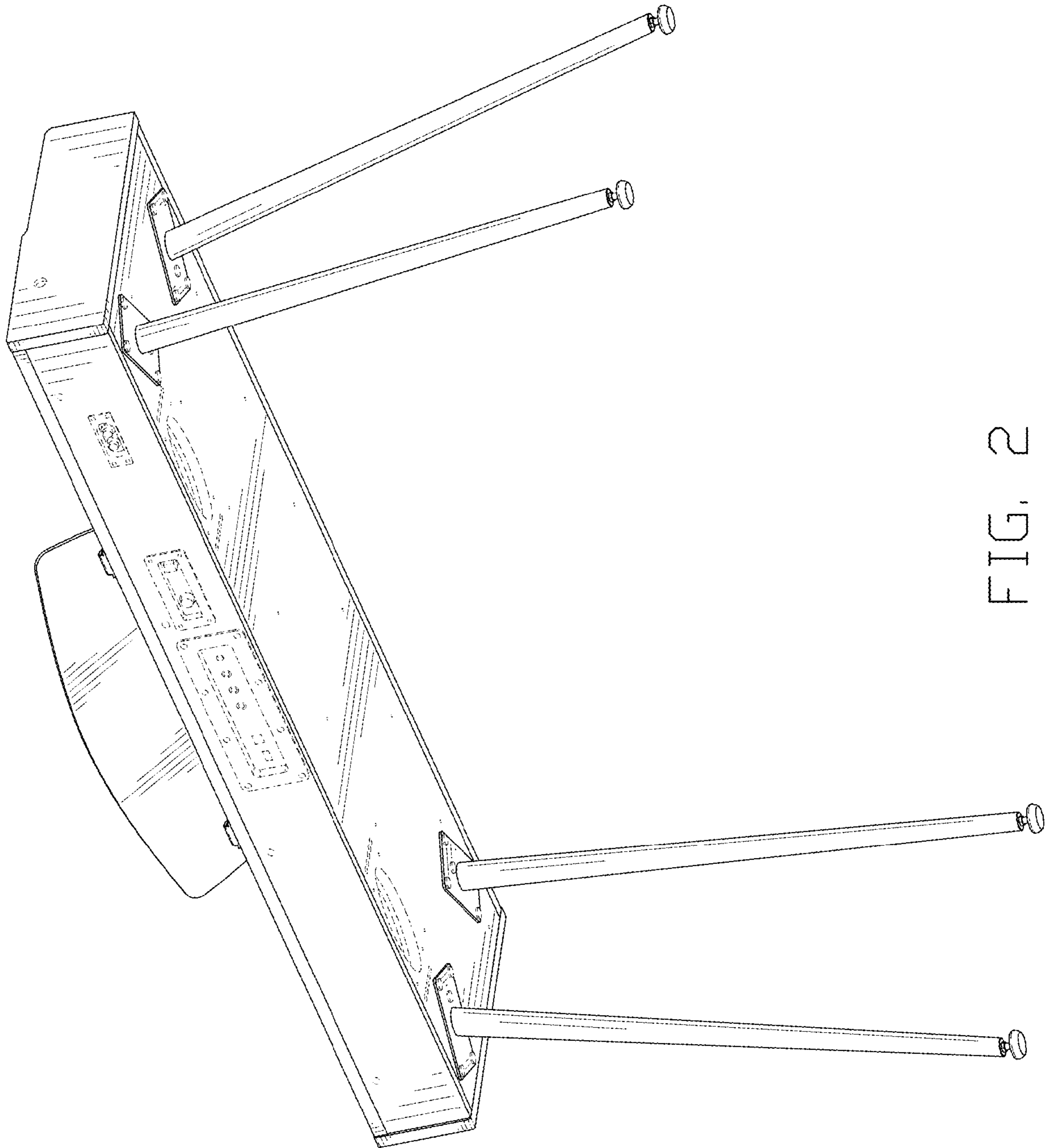


FIG. 2

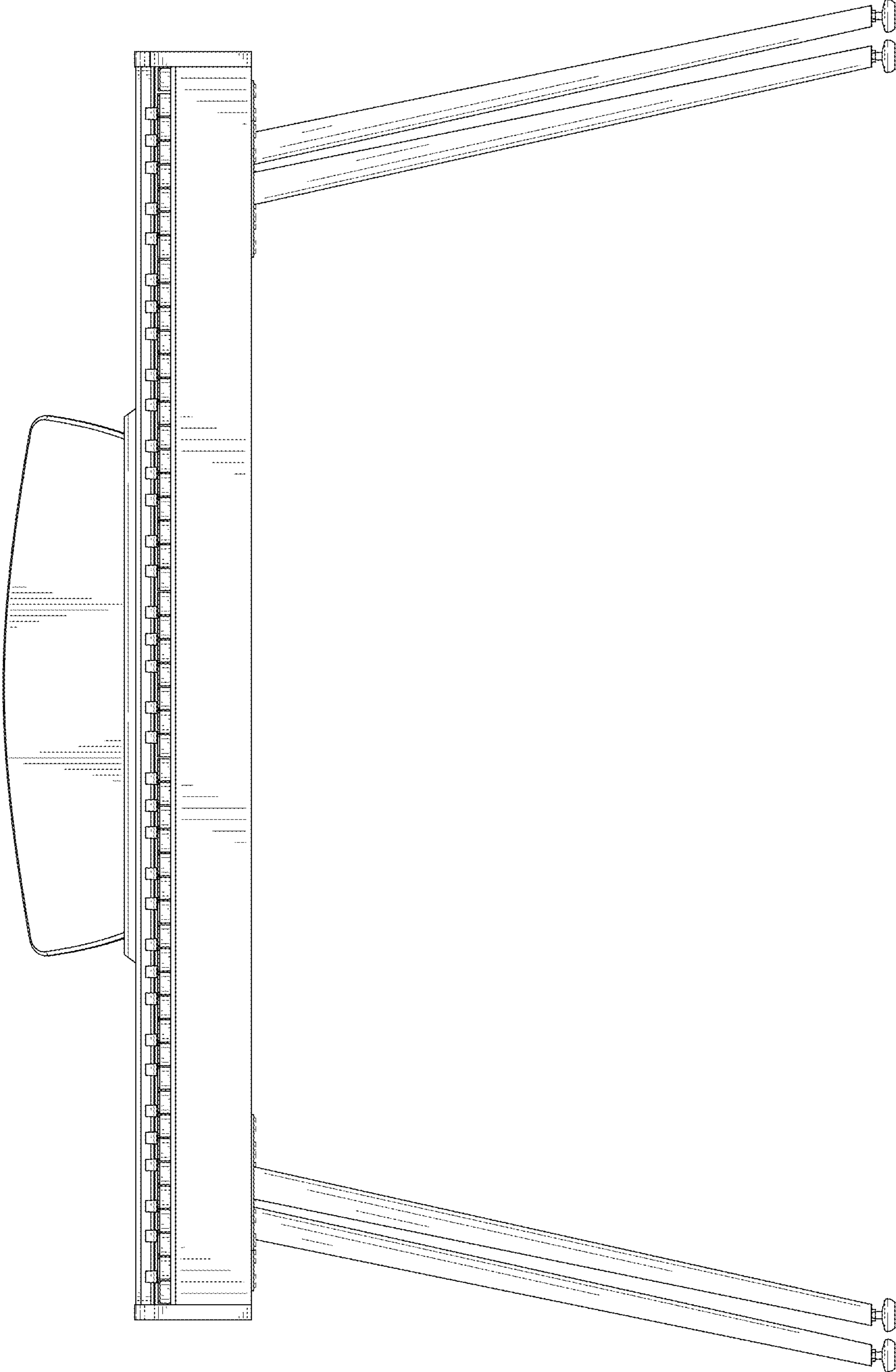


FIG. 3

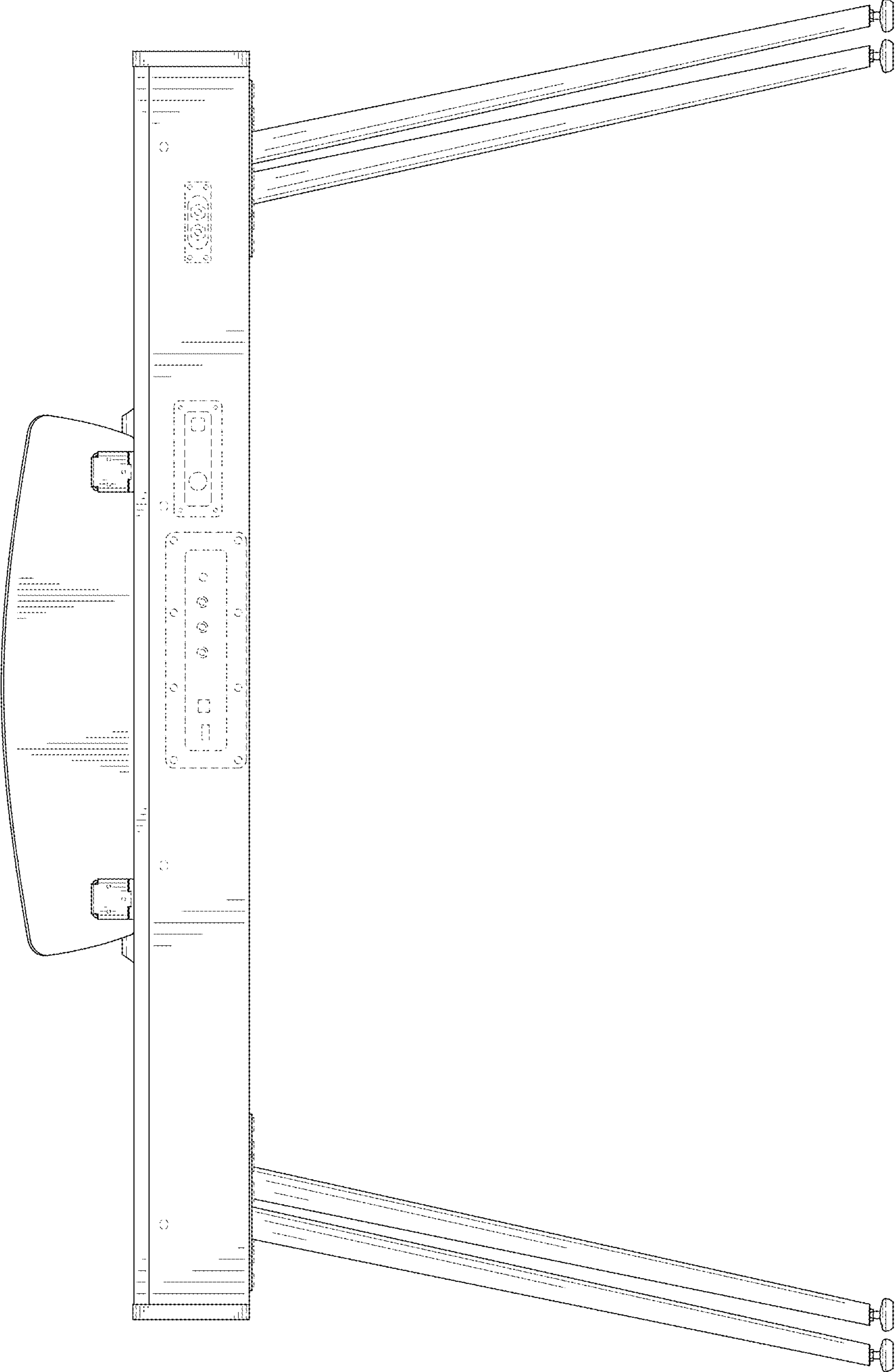


FIG. 4

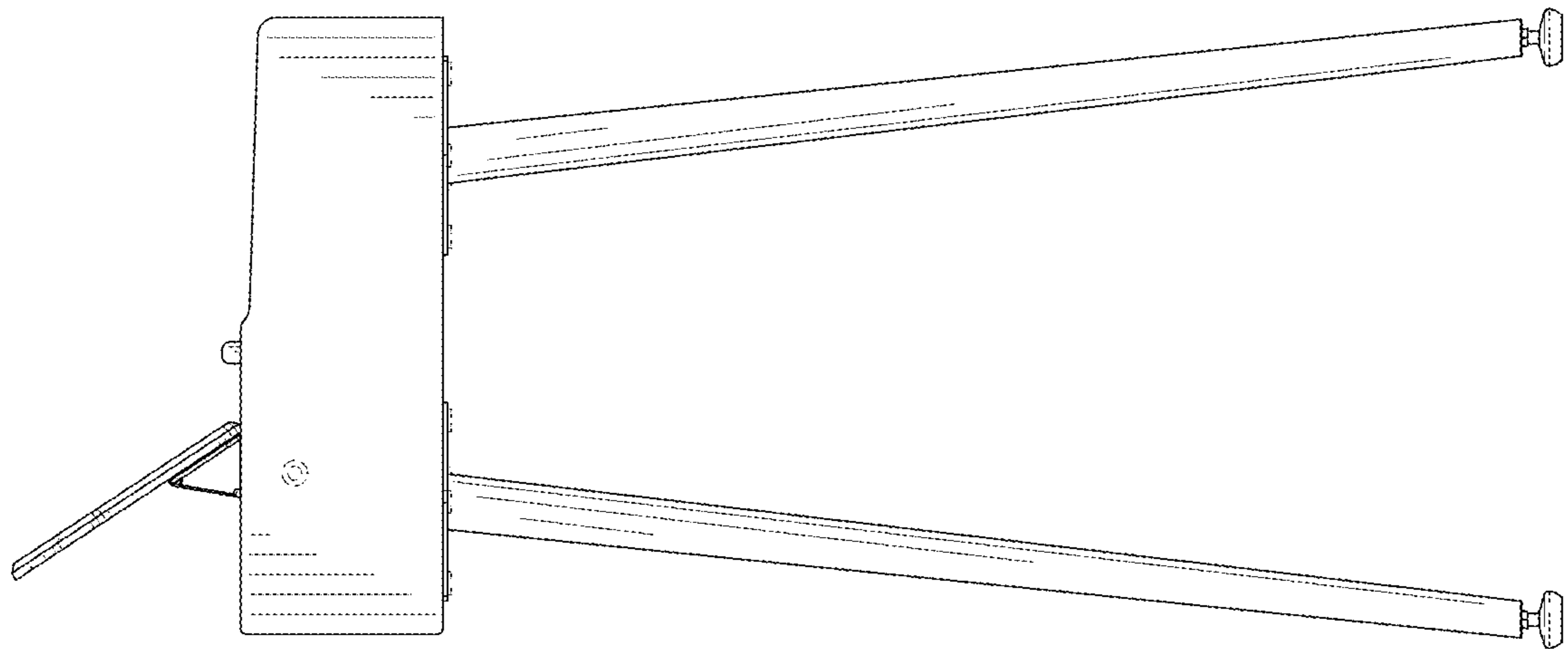


FIG. 5

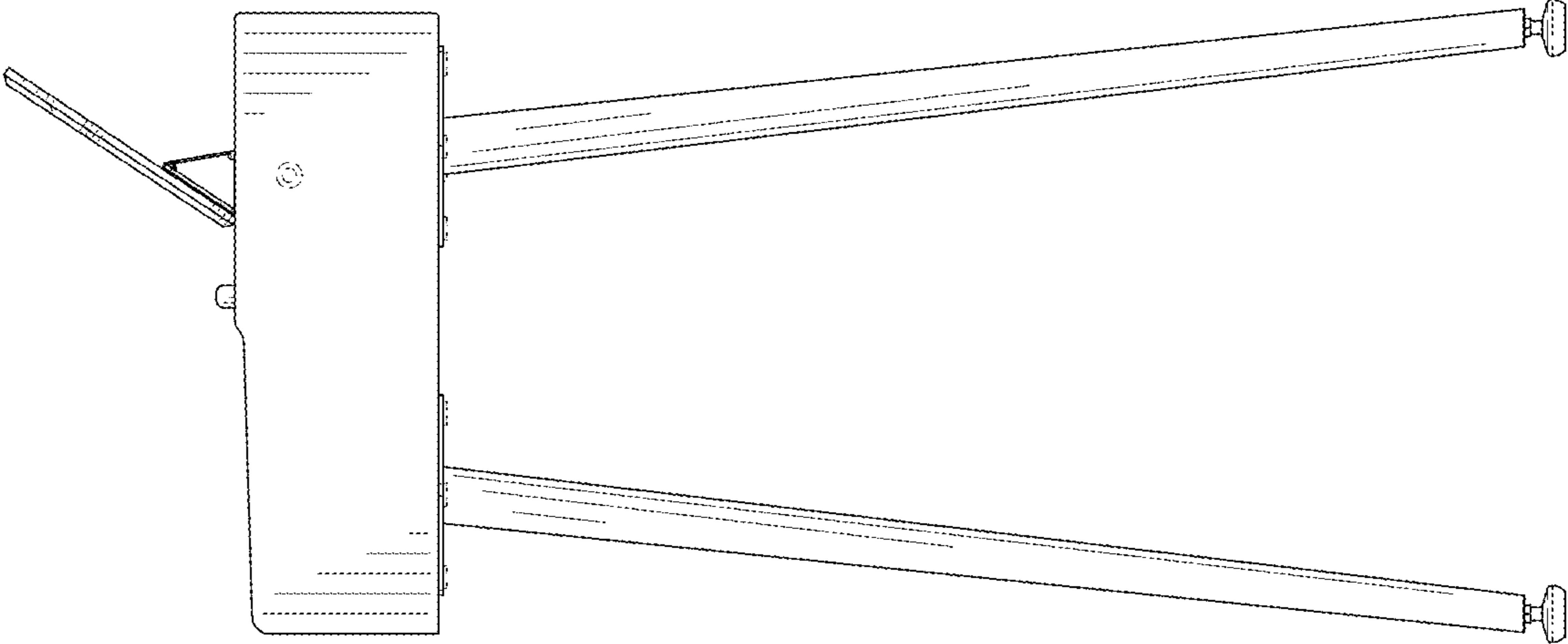


FIG. 6

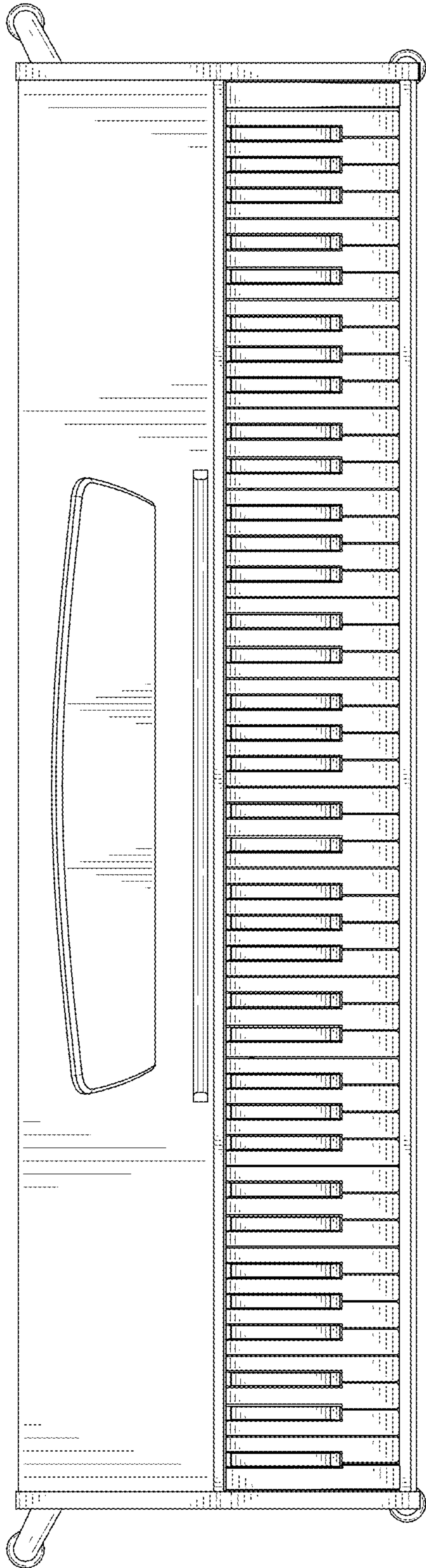


FIG. 7



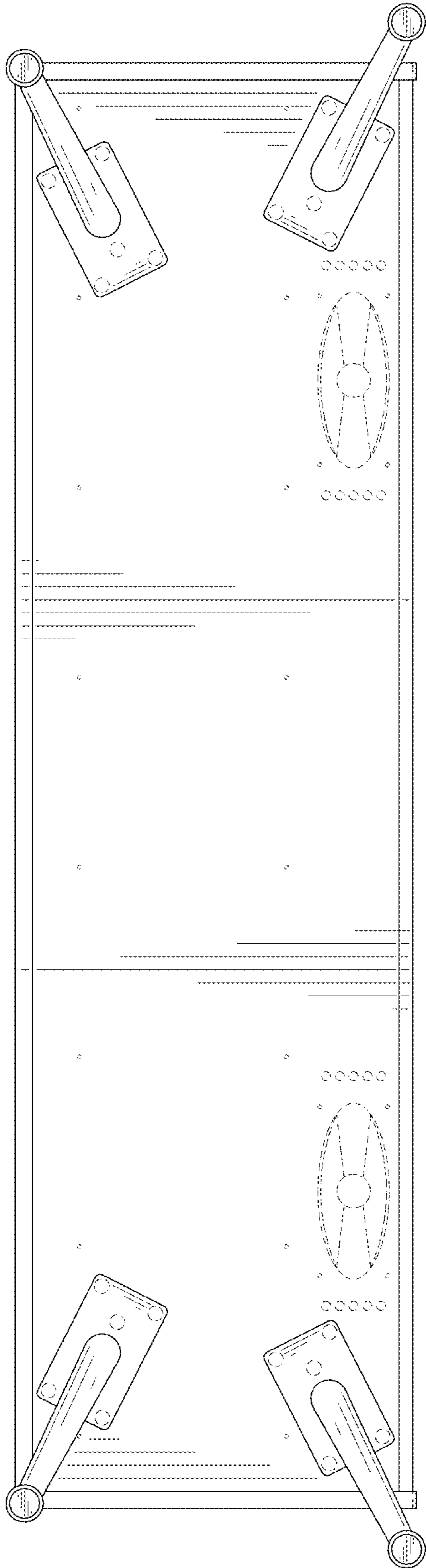


FIG. 8