



US00D965056S

(12) **United States Design Patent**
Jiang

(10) **Patent No.:** **US D965,056 S**
(45) **Date of Patent:** **** Sep. 27, 2022**

(54) **KALIMBA**

FOREIGN PATENT DOCUMENTS

(71) Applicant: **Dingze Jiang**, Zhongshan (CN)

CN 215341904 U 12/2021

(72) Inventor: **Dingze Jiang**, Zhongshan (CN)

OTHER PUBLICATIONS

(**) Term: **15 Years**

(21) Appl. No.: **29/791,546**

Amazon.com. https://www.amazon.com/LingTing-Piano%EF%BC%88rain-whisperer%EF%BC%89Gift-Beginners-Professional/dp/B08C7VGJPX/ref=sr_1_67?crd=2WZKK7ZXSK06S&keywords=kalimba&qid=1658021086&sprefix=kalimba%2Caps%2C345&sr=8-67. "LingTing Kalimba 21 keys Thumb Piano". Jul. 2020 (Year: 2020).*

(22) Filed: **Jan. 17, 2022**

(51) **LOC (13) Cl.** **17-01**

(52) **U.S. Cl.**
USPC **D17/7**

(58) **Field of Classification Search**

USPC D17/1, 2, 7, 99; D21/405, 409
CPC ... G10C 1/00; G10C 1/06; G10C 3/12; G10C 3/14; G10C 3/28; G10C 5/10

See application file for complete search history.

* cited by examiner

Primary Examiner — R. Johnson

(56) **References Cited**

(57) **CLAIM**

The ornamental design for a kalimba, as shown and described.

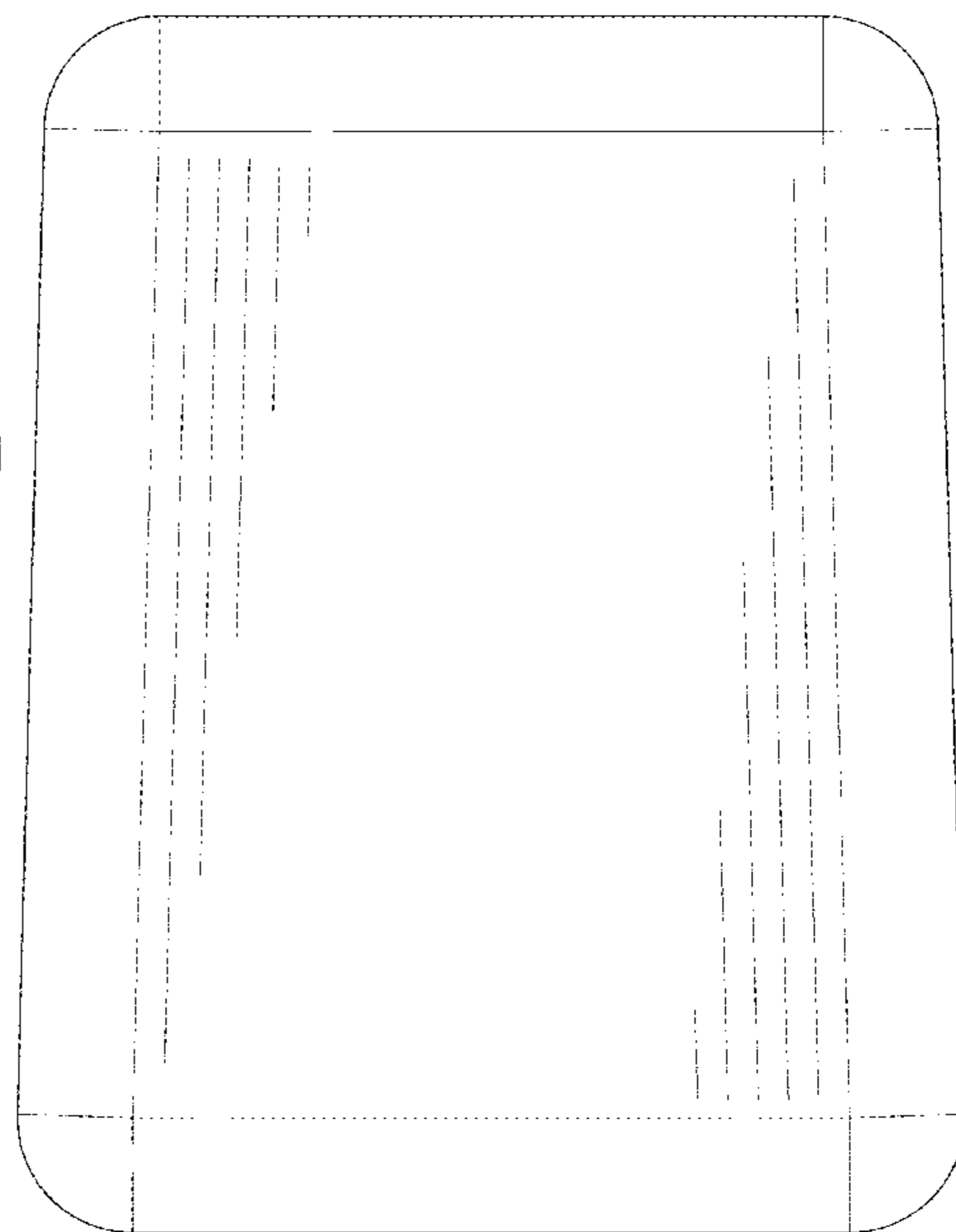
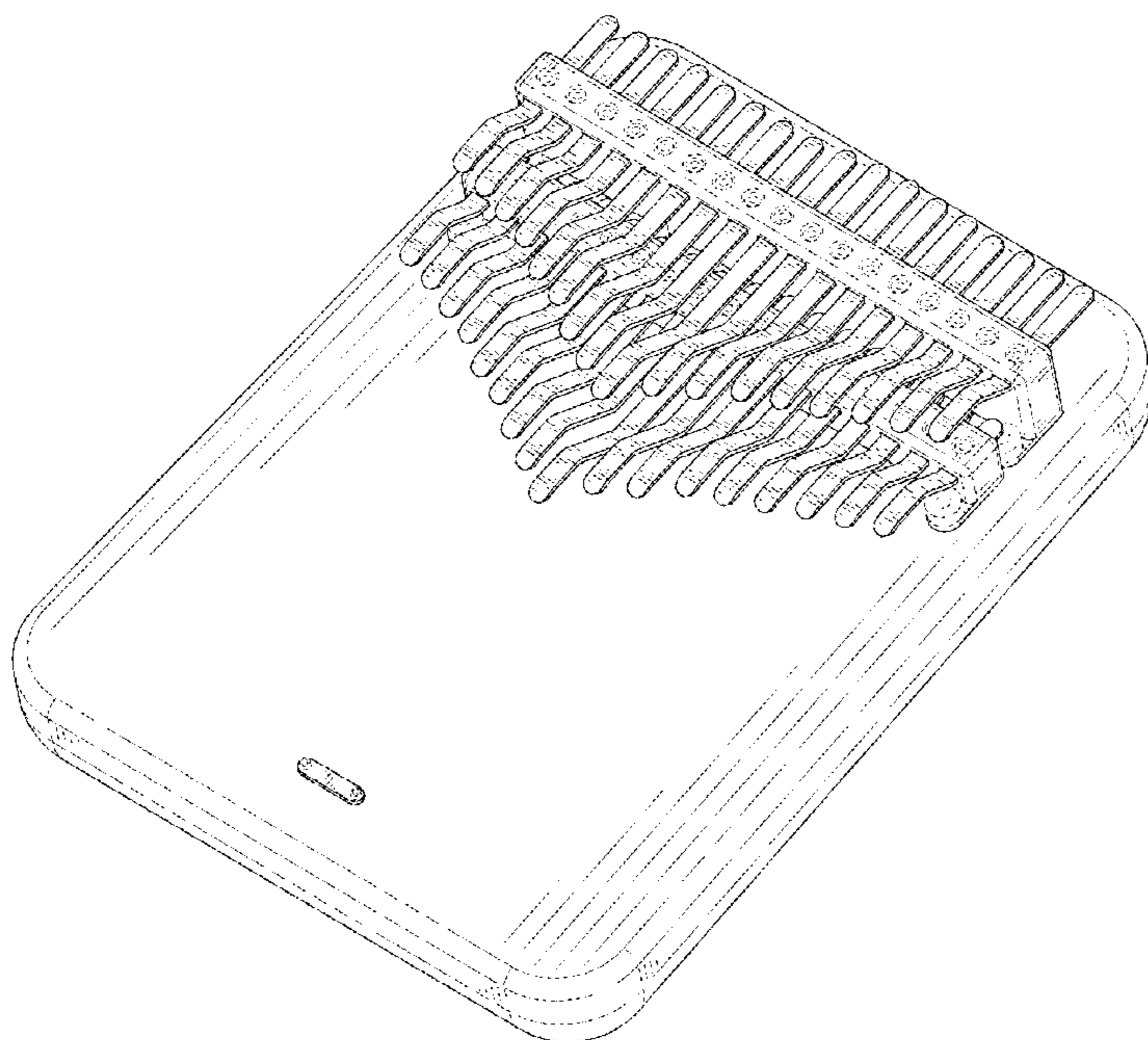
U.S. PATENT DOCUMENTS

DESCRIPTION

1,763,518	A *	6/1930	Haweis	G10D 13/08	84/408
D217,641	S *	5/1970	Pavin	D17/2	
3,610,085	A *	10/1971	Wilson	G10D 13/08	84/408
D222,813	S *	1/1972	Wilson		84/408
D688,729	S *	8/2013	Trinca	D17/7	
D920,424	S *	5/2021	Lin	D17/7	
D923,081	S *	6/2021	Yang	D17/7	
D939,623	S *	12/2021	Yang	D17/7	
D939,624	S *	12/2021	Yang	D17/7	
D939,625	S *	12/2021	Yang	D17/7	
D940,230	S *	1/2022	Yang	D17/7	
2004/0137984	A1 *	7/2004	Salter	A63F 13/814	463/35
2009/0217802	A1 *	9/2009	Saragosa	G10D 13/08	84/410

FIG. 1 is a front and top perspective view of a kalimba, showing my new design;
FIG. 2 is a rear and bottom perspective view thereof;
FIG. 3 is a front elevation view thereof;
FIG. 4 is a rear elevation view thereof;
FIG. 5 is a left side elevation view thereof;
FIG. 6 is a right side elevation view thereof;
FIG. 7 is a top plan view thereof; and,
FIG. 8 is a bottom plan view thereof.
The broken lines in the figures illustrate portions of the kalimba that form no part of the claimed design.

1 Claim, 8 Drawing Sheets



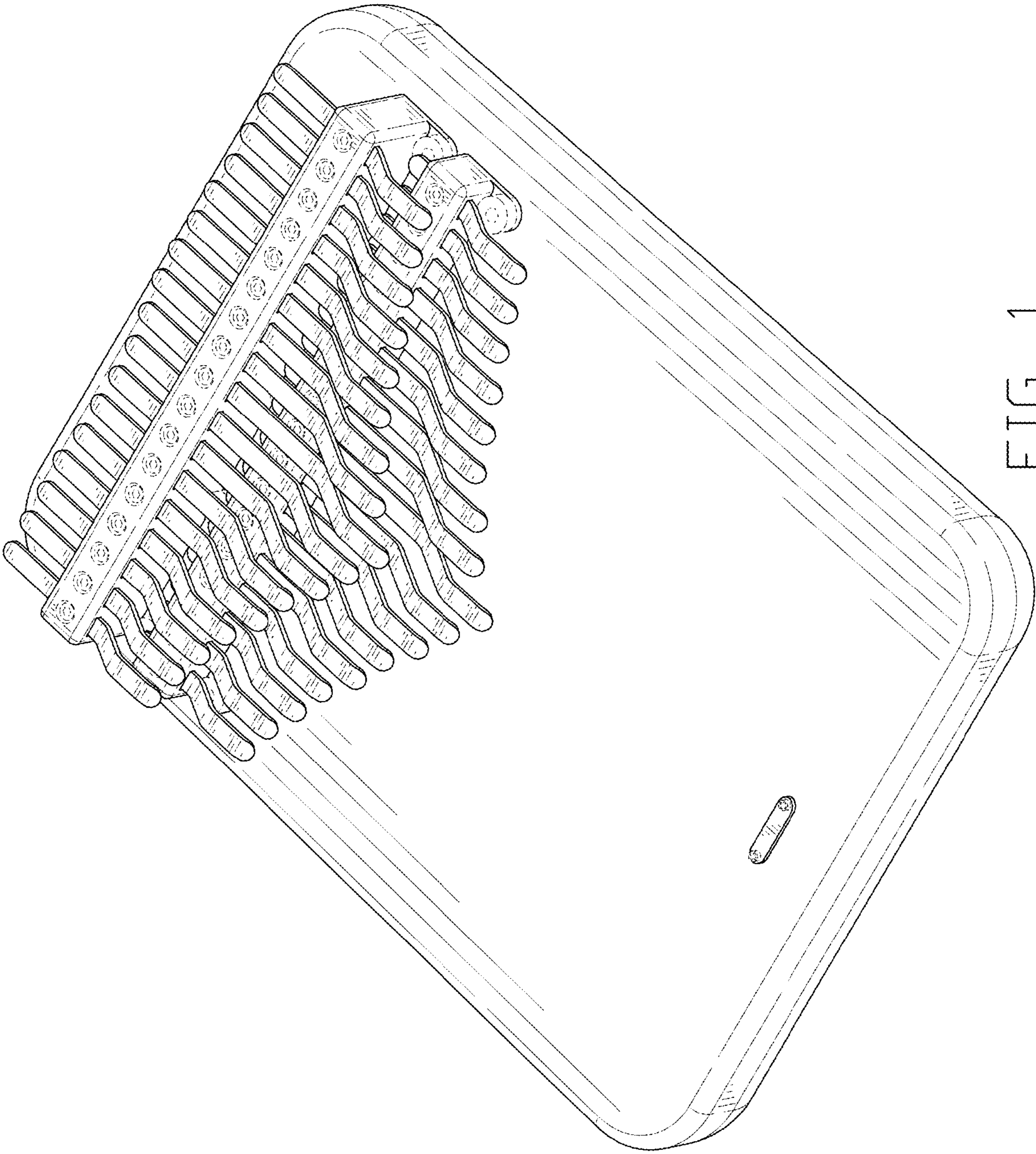


FIG. 1

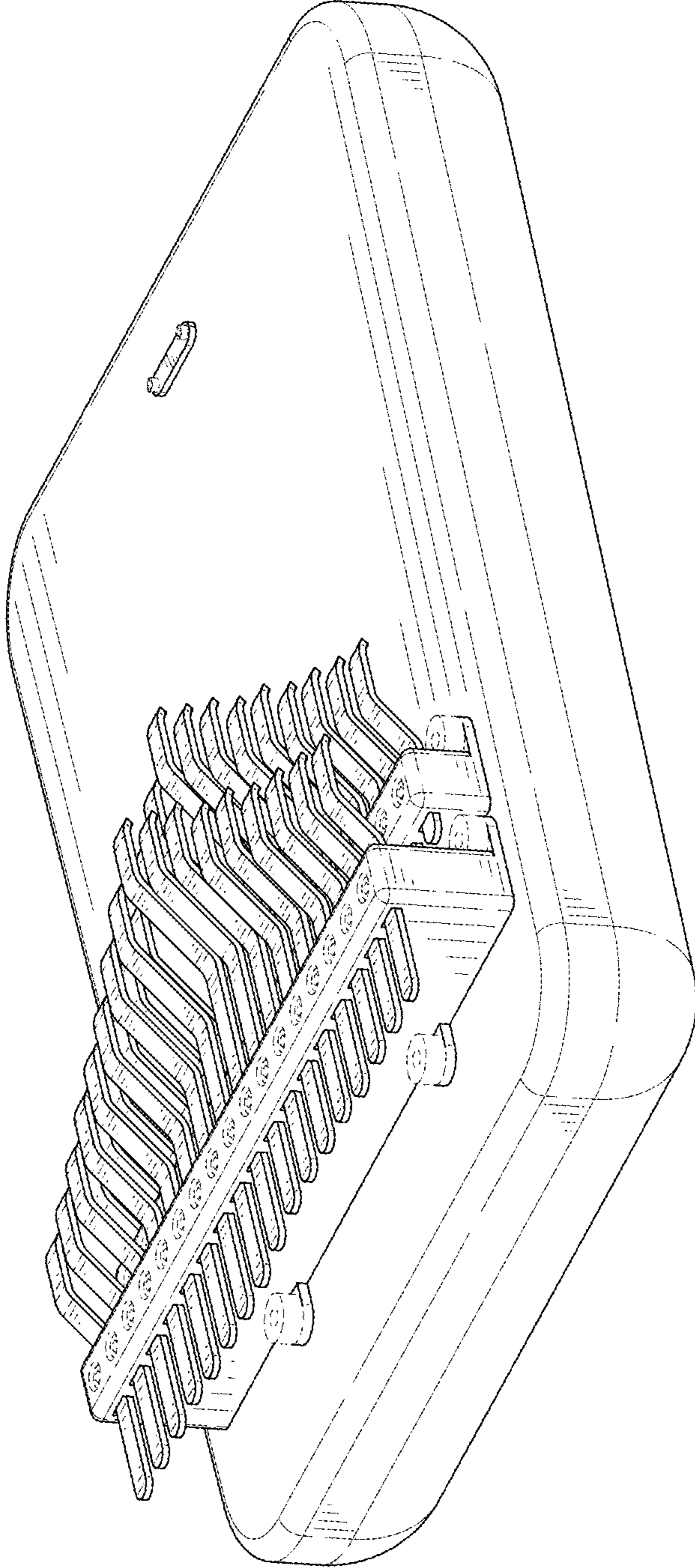


FIG. 2

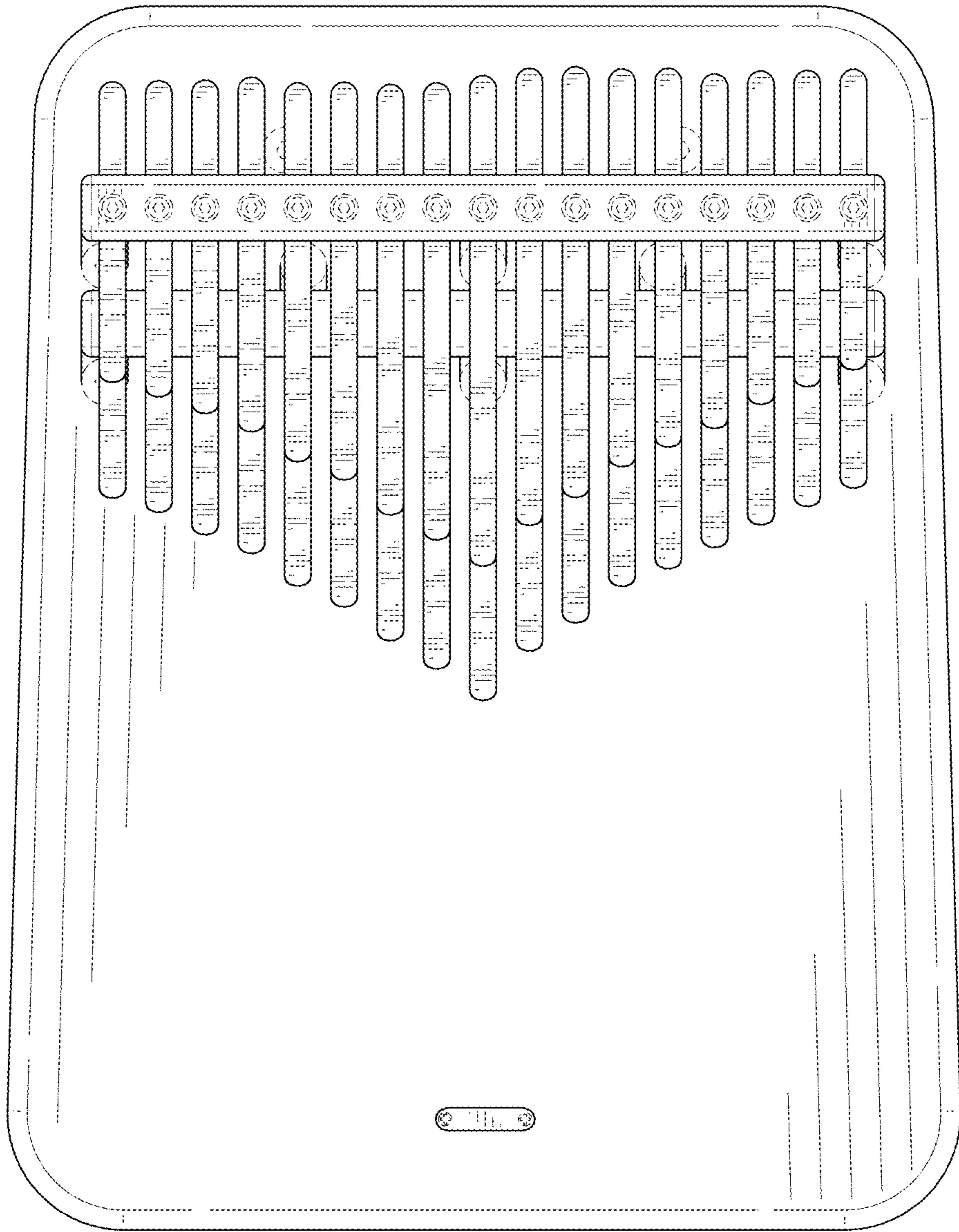


FIG. 3

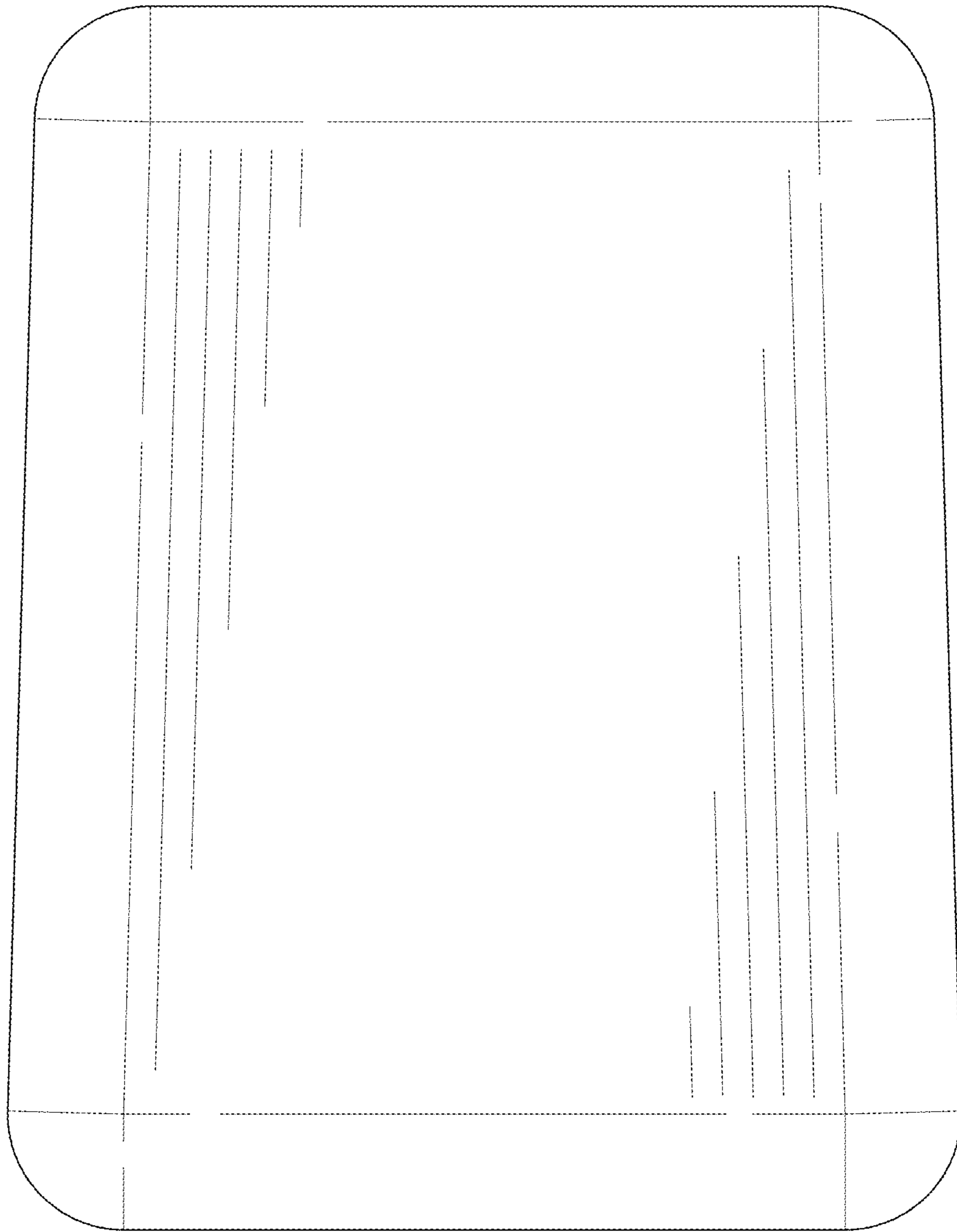


FIG. 4

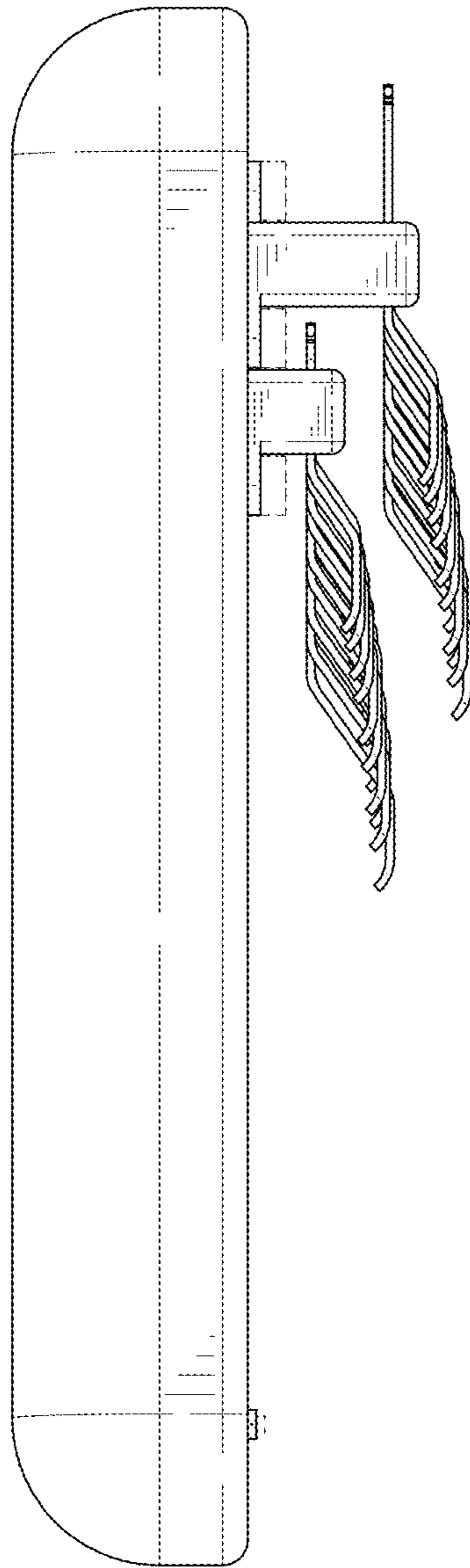


FIG. 5

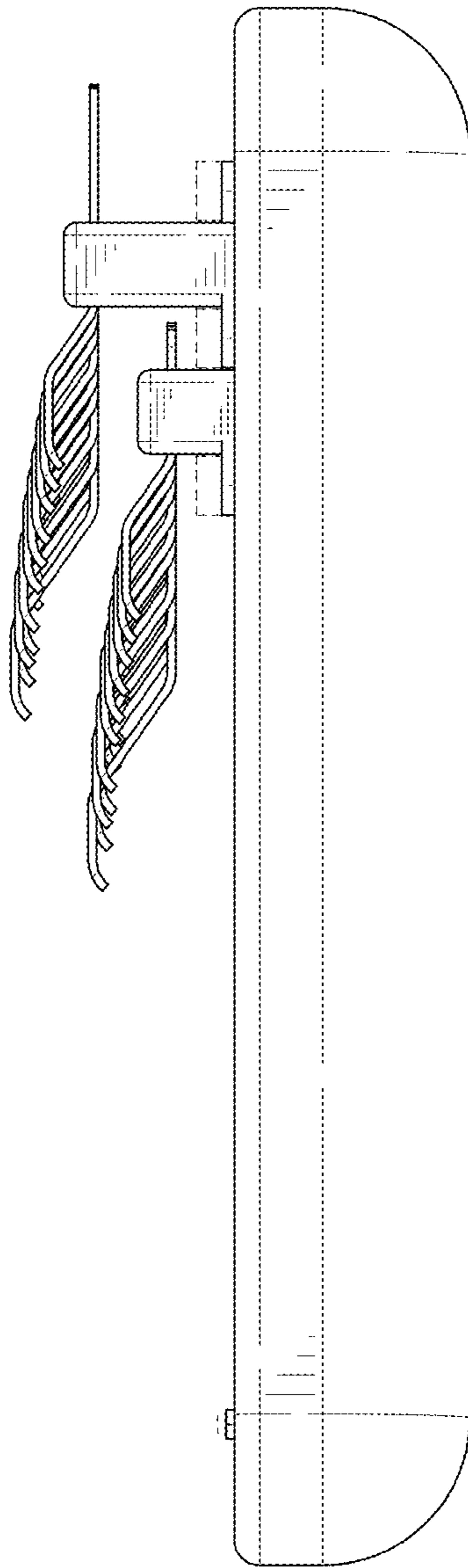


FIG. 6

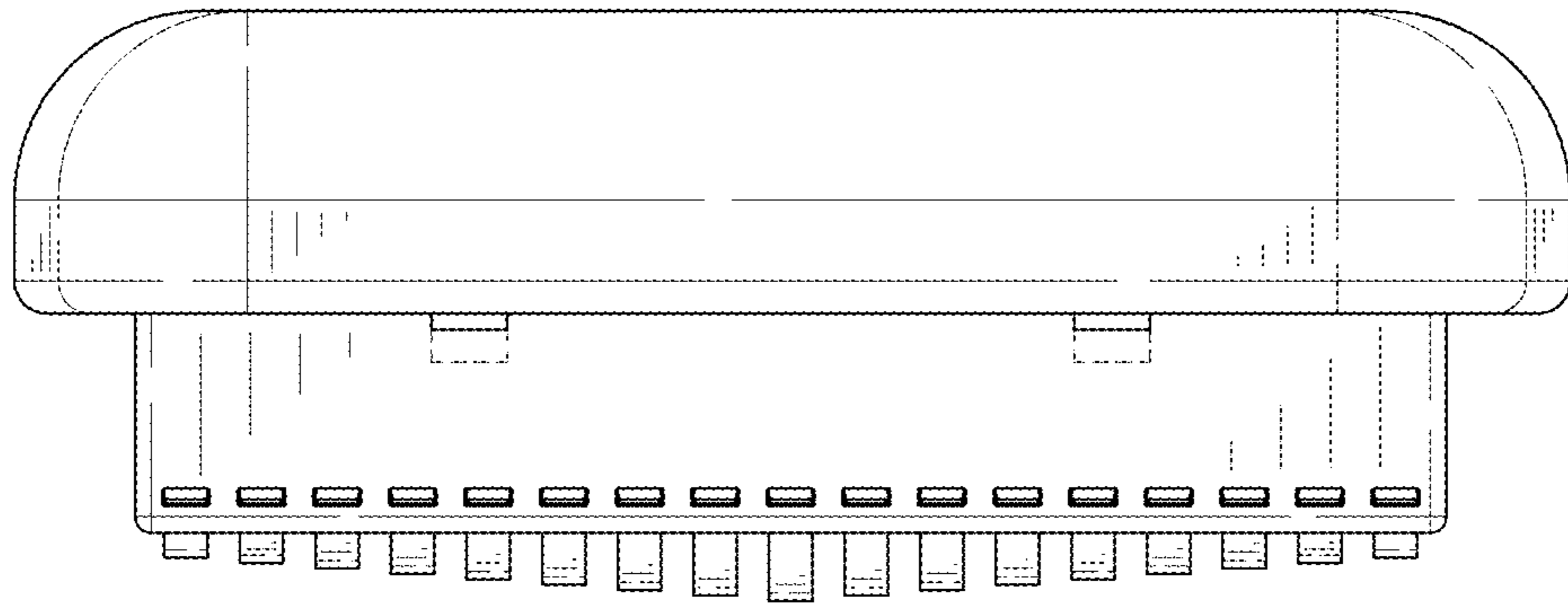


FIG. 7

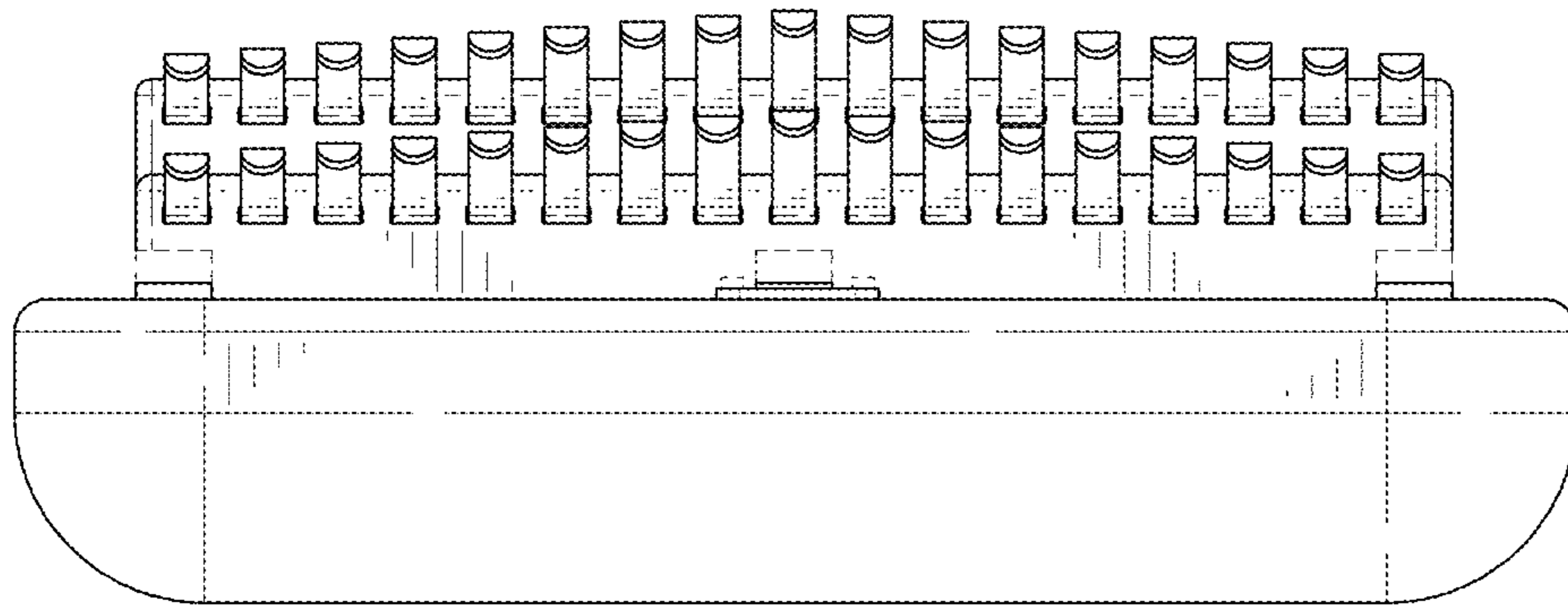


FIG. 8