



US00D965054S

(12) **United States Design Patent** (10) **Patent No.:** **US D965,054 S**
Feng (45) **Date of Patent:** **** Sep. 27, 2022**

(54) **BACKGROUND SUPPORT STAND**

(71) Applicant: **SHENZHEN QISHI TECHNOLOGY CO., LTD.**, Shenzhen (CN)

(72) Inventor: **Yali Feng**, Shenzhen (CN)

(73) Assignee: **SHENZHEN QISHI TECHNOLOGY CO., LTD.**, Shenzhen (CN)

(**) Term: **15 Years**

(21) Appl. No.: **29/782,974**

(22) Filed: **May 10, 2021**

Related U.S. Application Data

(62) Division of application No. 29/760,807, filed on Dec. 4, 2020, now Pat. No. Des. 943,018.

(51) **LOC (13) Cl.** **16-05**

(52) **U.S. Cl.**
USPC **D16/237; D16/244**

(58) **Field of Classification Search**
USPC D16/228–229, 237, 241, 244–245;
D20/10, 39, 41; D14/128, 374–376;
D19/114; D6/332

(Continued)

(56) **References Cited**

U.S. PATENT DOCUMENTS

2,534,552 A * 12/1950 Heck G03B 21/58
160/24
2,845,244 A * 7/1958 Prokop F16M 11/16
248/188.91

(Continued)

OTHER PUBLICATIONS

Emart 8.5×10 ft Photo Backdrop Stand, Adjustable Photography Muslin Background Support System Stand for Photo Video Studio. [online] First available Jul. 26, 2018. Retrieved from URL: https://

www.amazon.com/Backdrop-Adjustable-Photography-Background-Support/dp/B07FY4TVKH (Year: 2018).*

(Continued)

Primary Examiner — Vy N Koenig

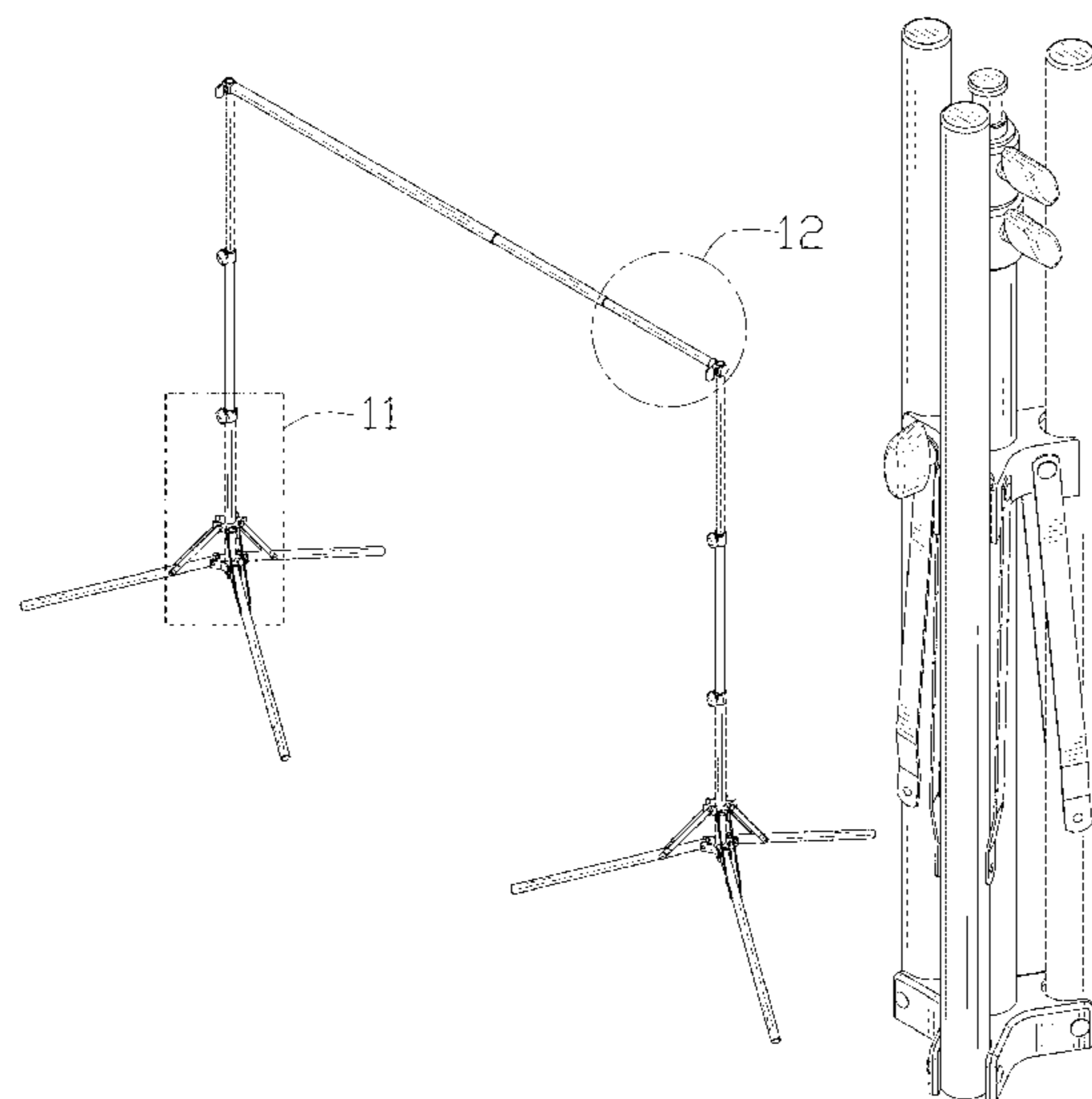
(57) **CLAIM**

The ornamental design for a background support stand, as shown and described.

DESCRIPTION

FIG. 1 is a perspective view of a background support stand showing my new design;
FIG. 2 is another perspective view thereof;
FIG. 3 is a front elevational view thereof;
FIG. 4 is a rear elevational view thereof;
FIG. 5 is a left side elevational view thereof;
FIG. 6 is a right side elevational view thereof;
FIG. 7 is a top plan view thereof;
FIG. 8 is a bottom plan view thereof;
FIG. 9 is a perspective view of the background support stand where the background support stand is in a configuration of use;
FIG. 10 is a perspective view of a unilateral stand of the background support stand in a folded state where the unilateral stand is shown separately to reveal aspects of the design that may not be apparent in the other views;
FIG. 11 is an enlarged view of portion 11 shown in FIG. 1;
FIG. 12 is an enlarged view of portion 12 shown in FIG. 1;
FIG. 13 is an enlarged view of portion 13 shown in FIG. 2;
and,
FIG. 14 is an enlarged view of portion 14 shown in FIG. 8.
The broken lines in FIG. 9 depict environment structure, specifically a backdrop, and forms no part of the claimed design. The remaining dash-dash broken lines in the figures depict portions of the background support stand that form no part of the claimed design. The dot-dash broken lines represent boundaries of the enlarged portions and form no part of the claimed design.

1 Claim, 14 Drawing Sheets



(58) **Field of Classification Search**

CPC G03B 17/56; G03B 17/561–566
See application file for complete search history.

(56) **References Cited**

U.S. PATENT DOCUMENTS

7,236,895 B2 6/2007 Demos
D828,057 S * 9/2018 Yaguchi D6/681
D845,376 S * 4/2019 Kim D16/237
D898,106 S * 10/2020 Zhao D16/241
10,794,113 B2 * 10/2020 Tapley E06B 9/24
D901,578 S * 11/2020 Wang D16/244
D907,106 S * 1/2021 Li D16/244
D909,456 S * 2/2021 Xiao D16/244
D911,428 S * 2/2021 Xiao D16/244
D917,604 S * 4/2021 Zeng D16/244
2020/0209715 A1 7/2020 Christensen

OTHER PUBLICATIONS

AW Backdrop Stand Kit 7×10ft Adjustable Background Support System First available May 27, 2015. Retrieved from URL: <https://www.amazon.com/AW-Adjustable-Photography-Background-Portable/dp/B00YBW9220> (Year: 2015).*

* cited by examiner

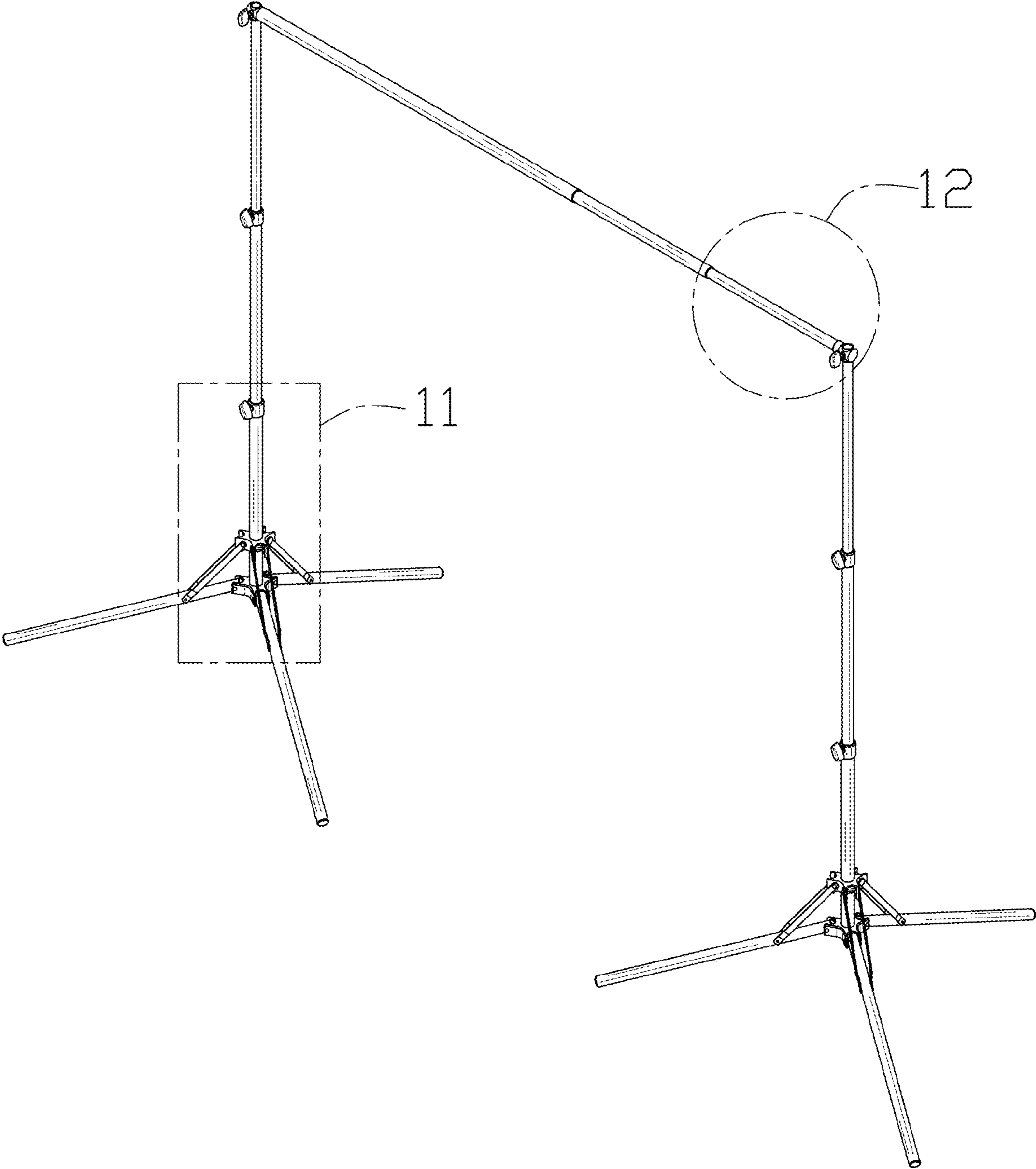


FIG. 1

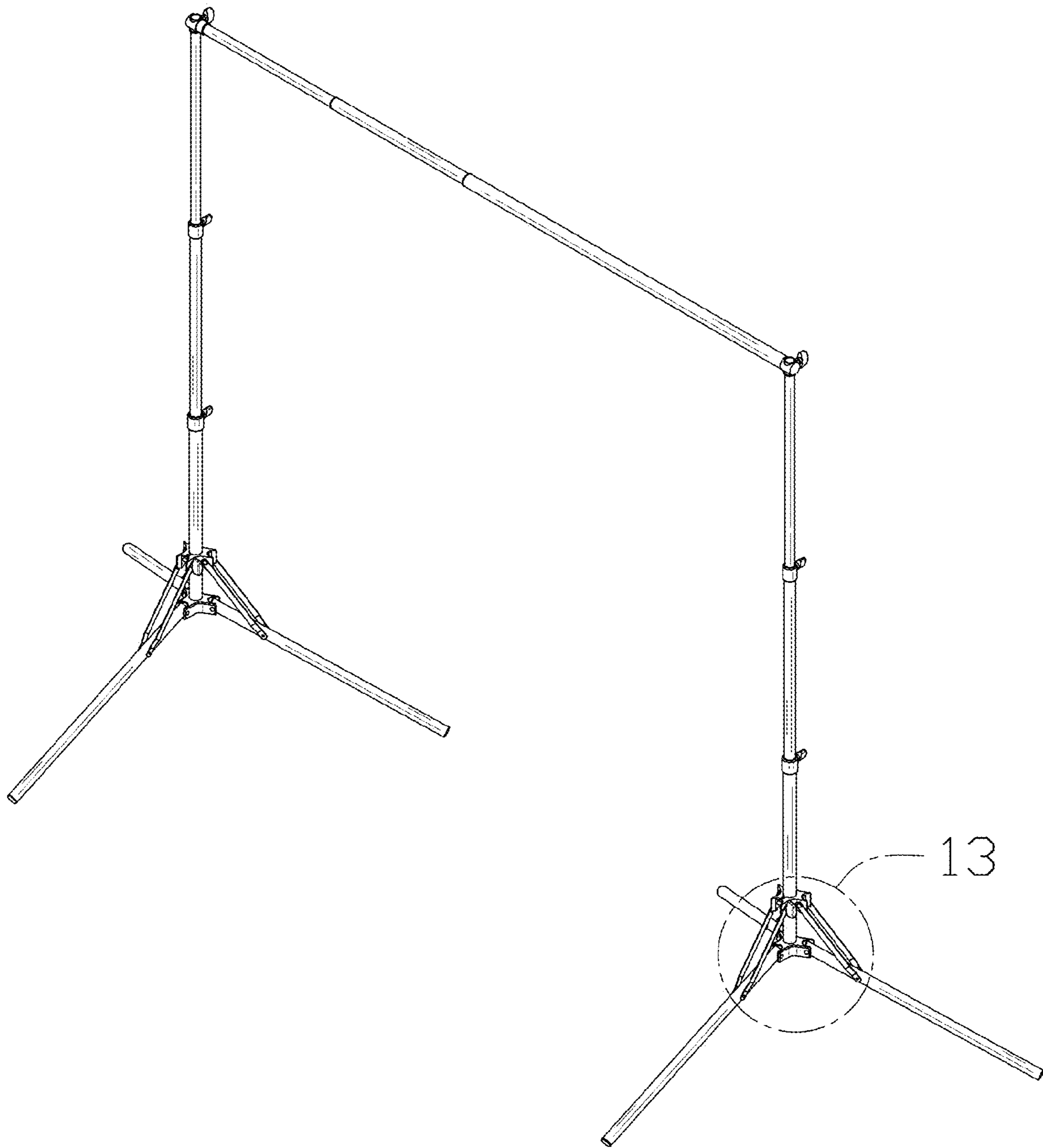


FIG. 2

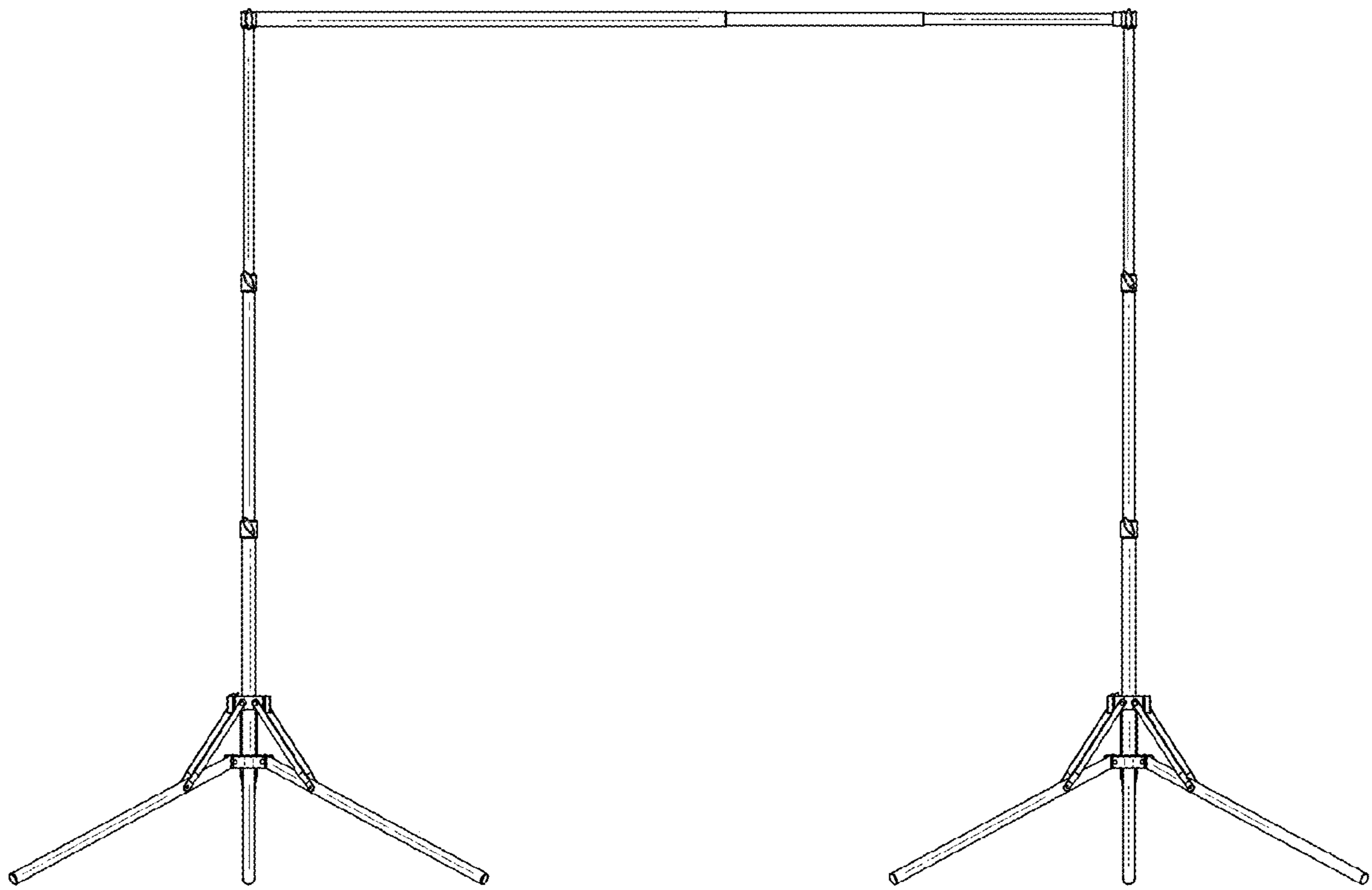


FIG. 3

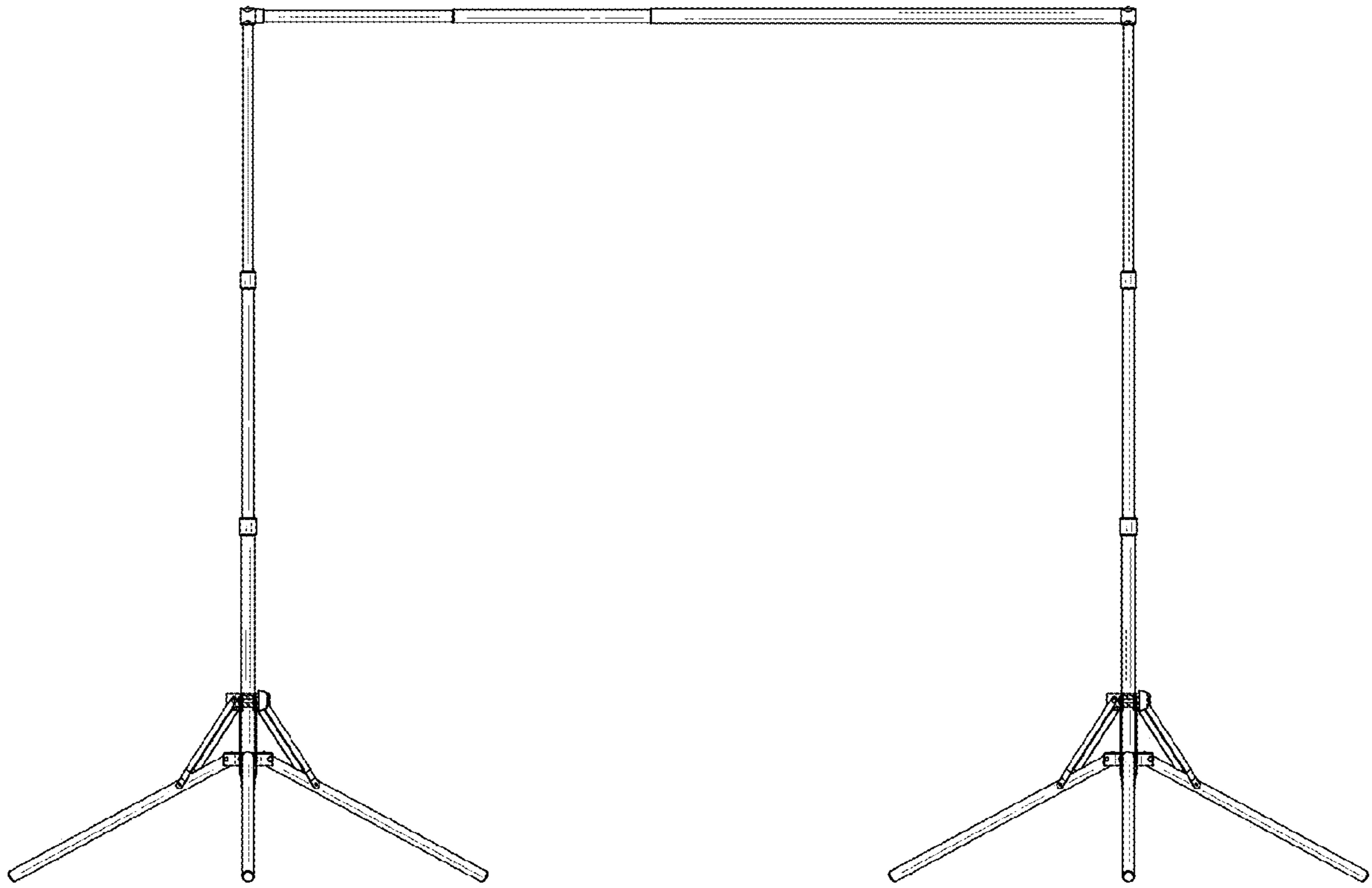


FIG. 4

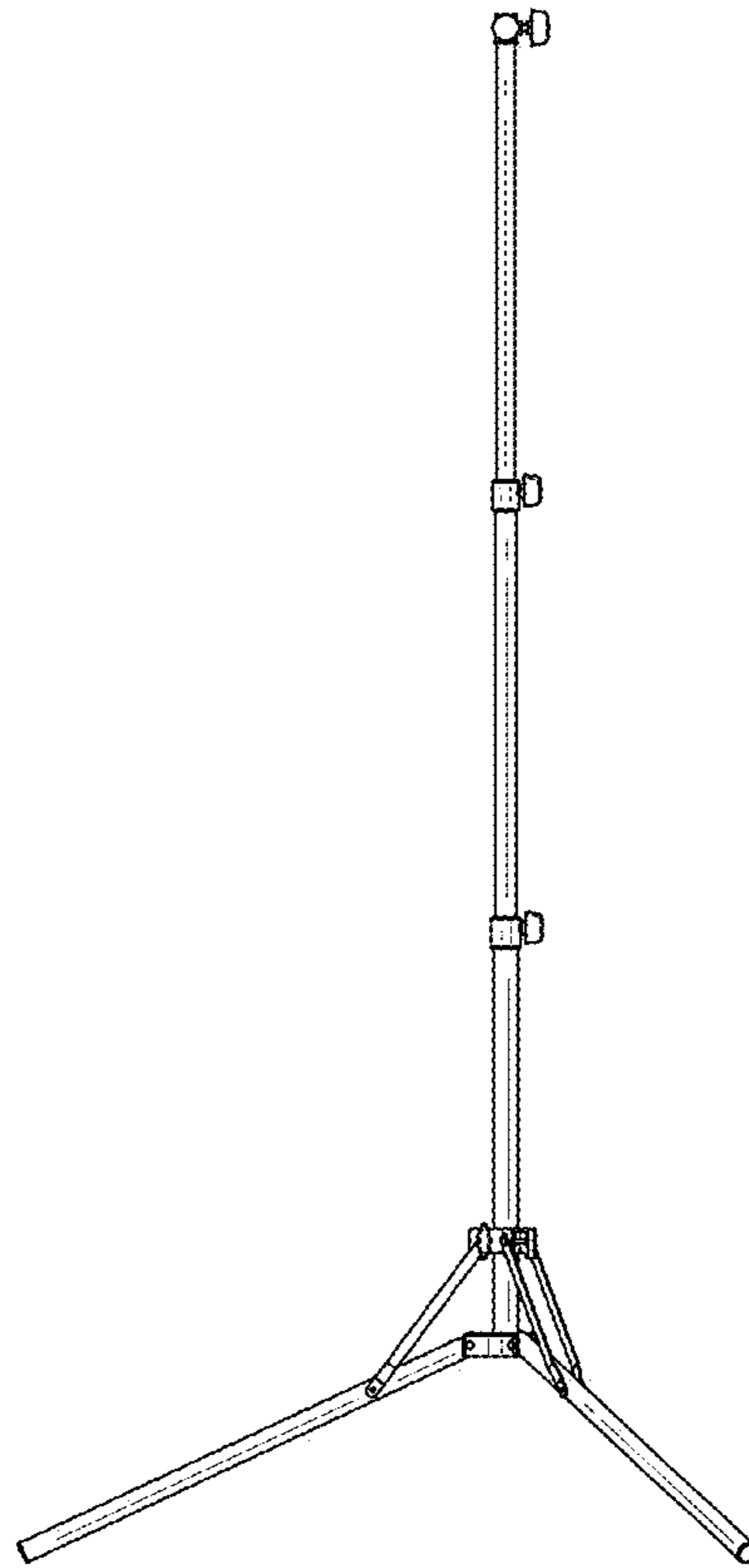


FIG. 5

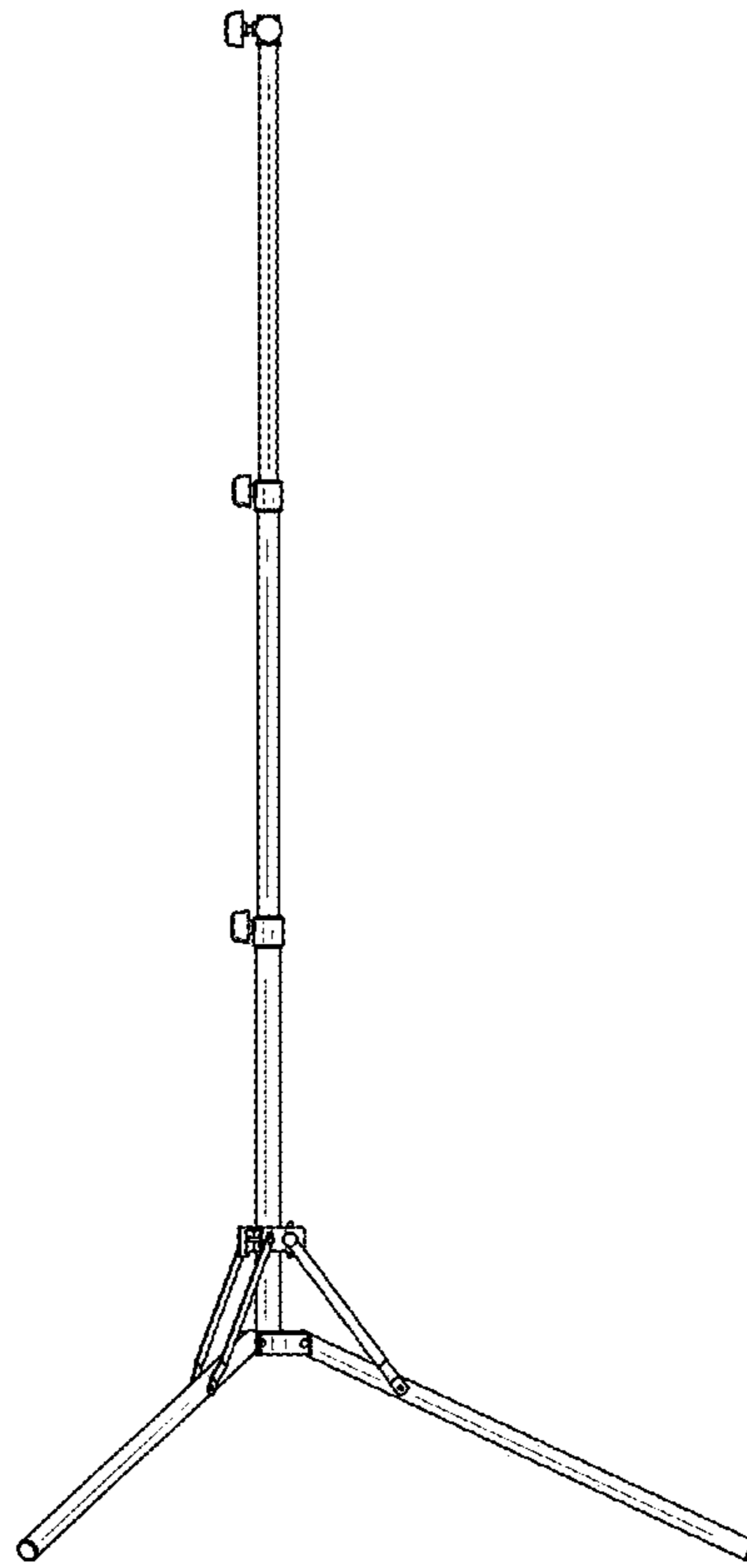


FIG. 6

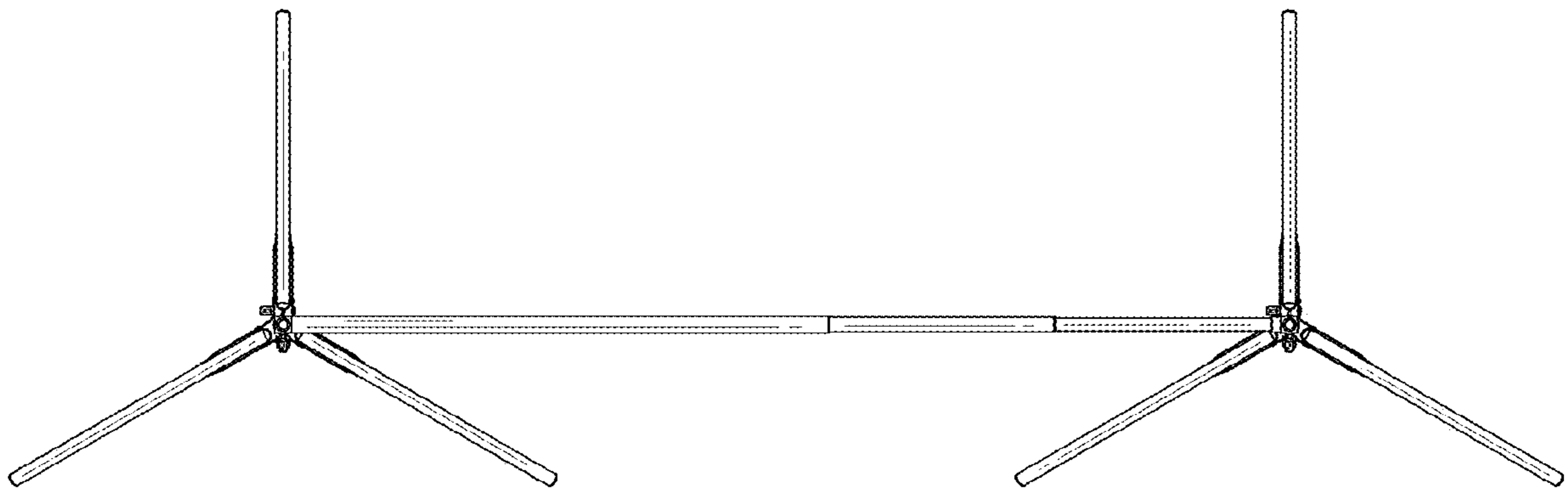


FIG. 7

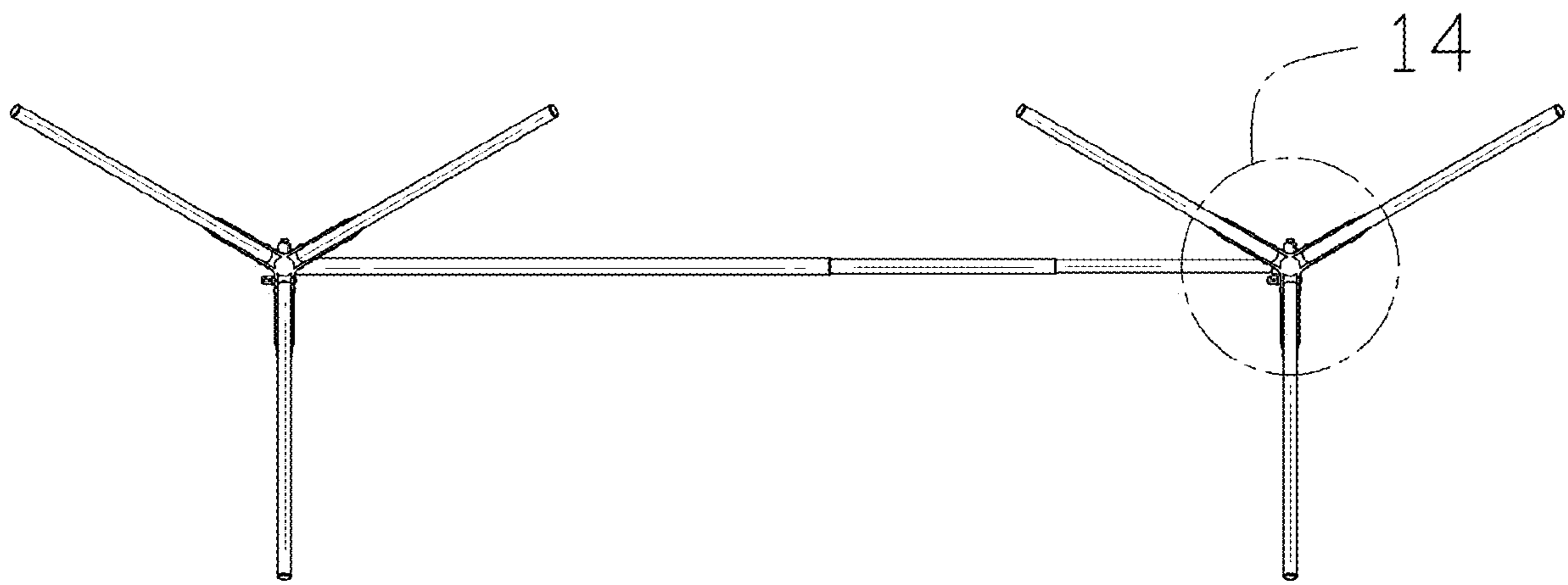


FIG. 8

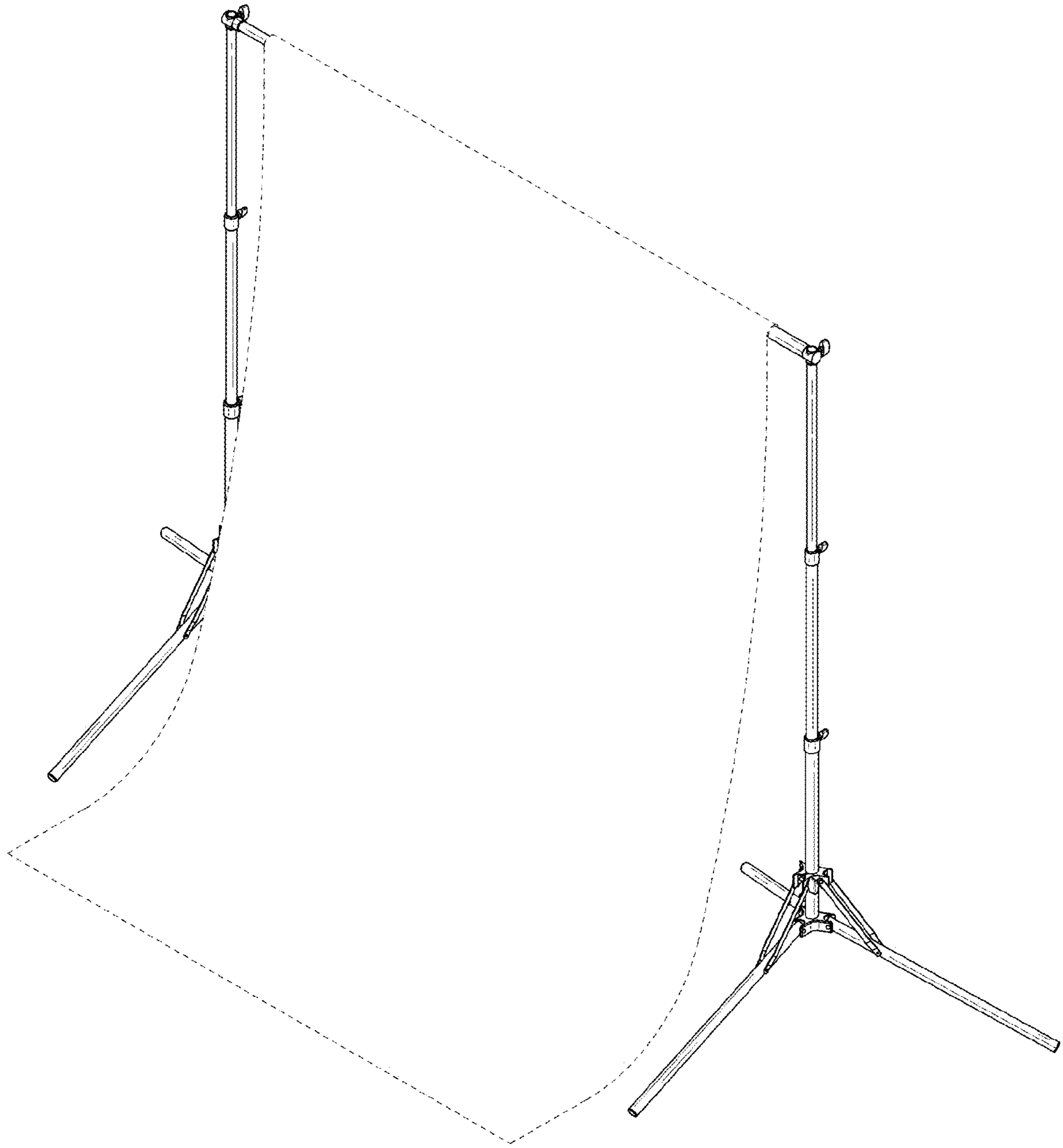


FIG. 9

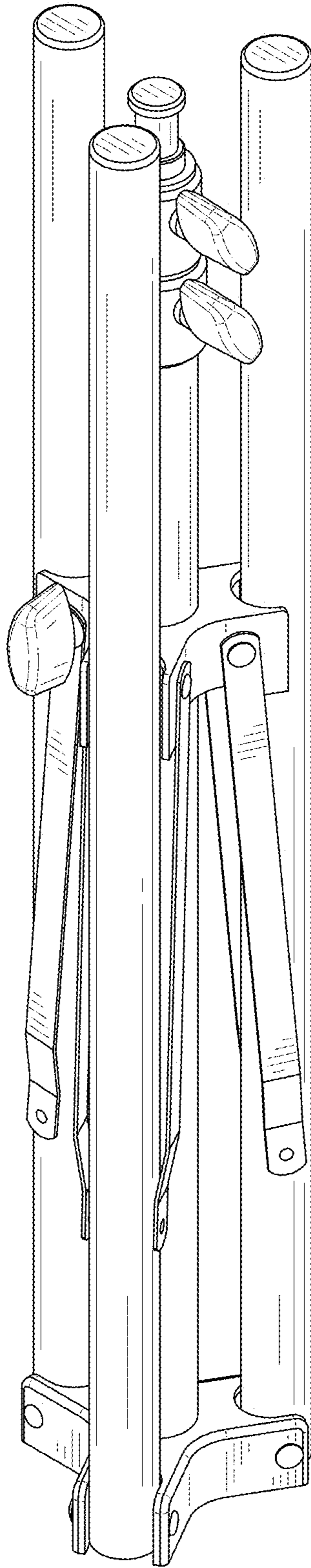


FIG. 10

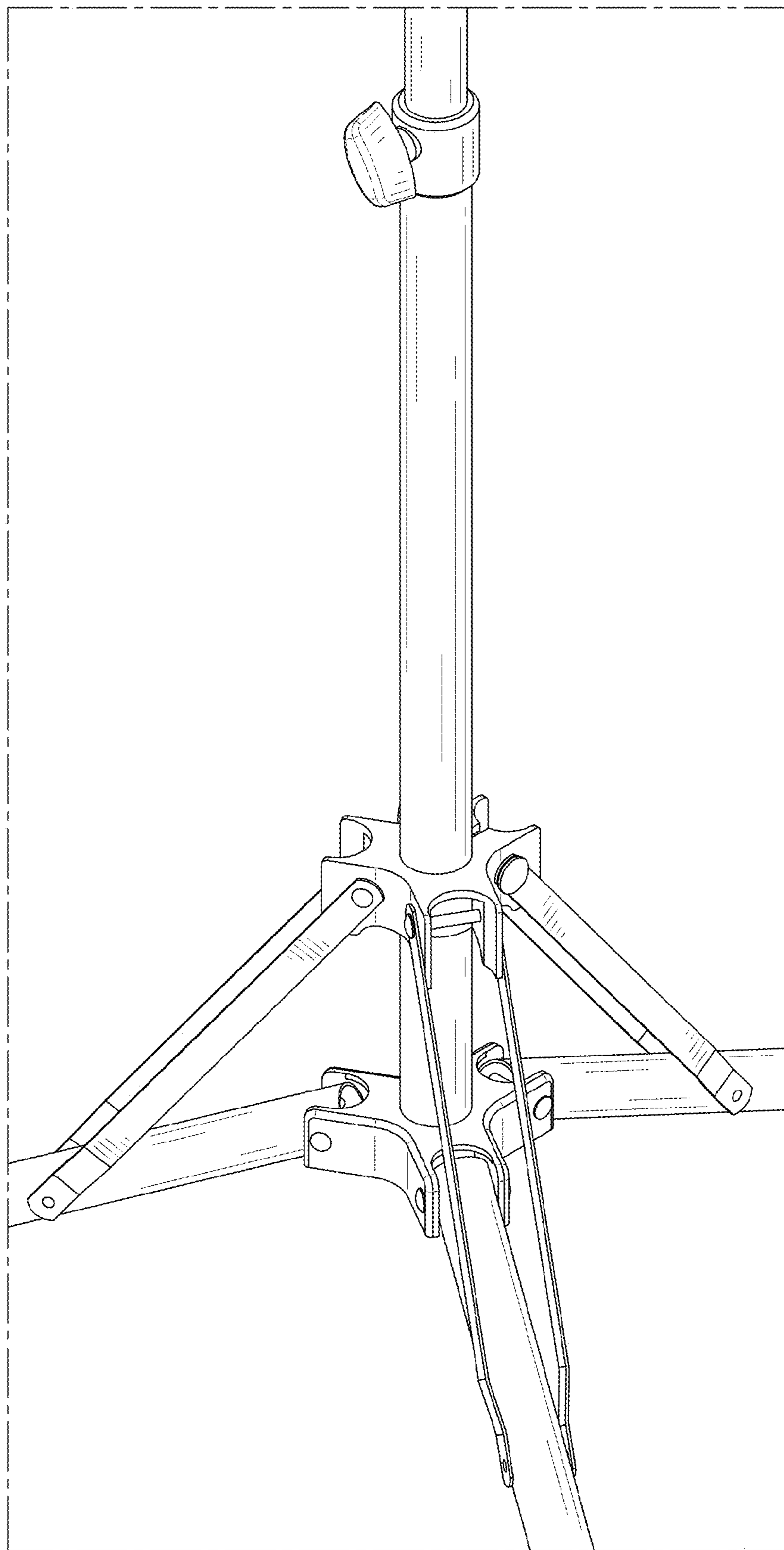


FIG. 11

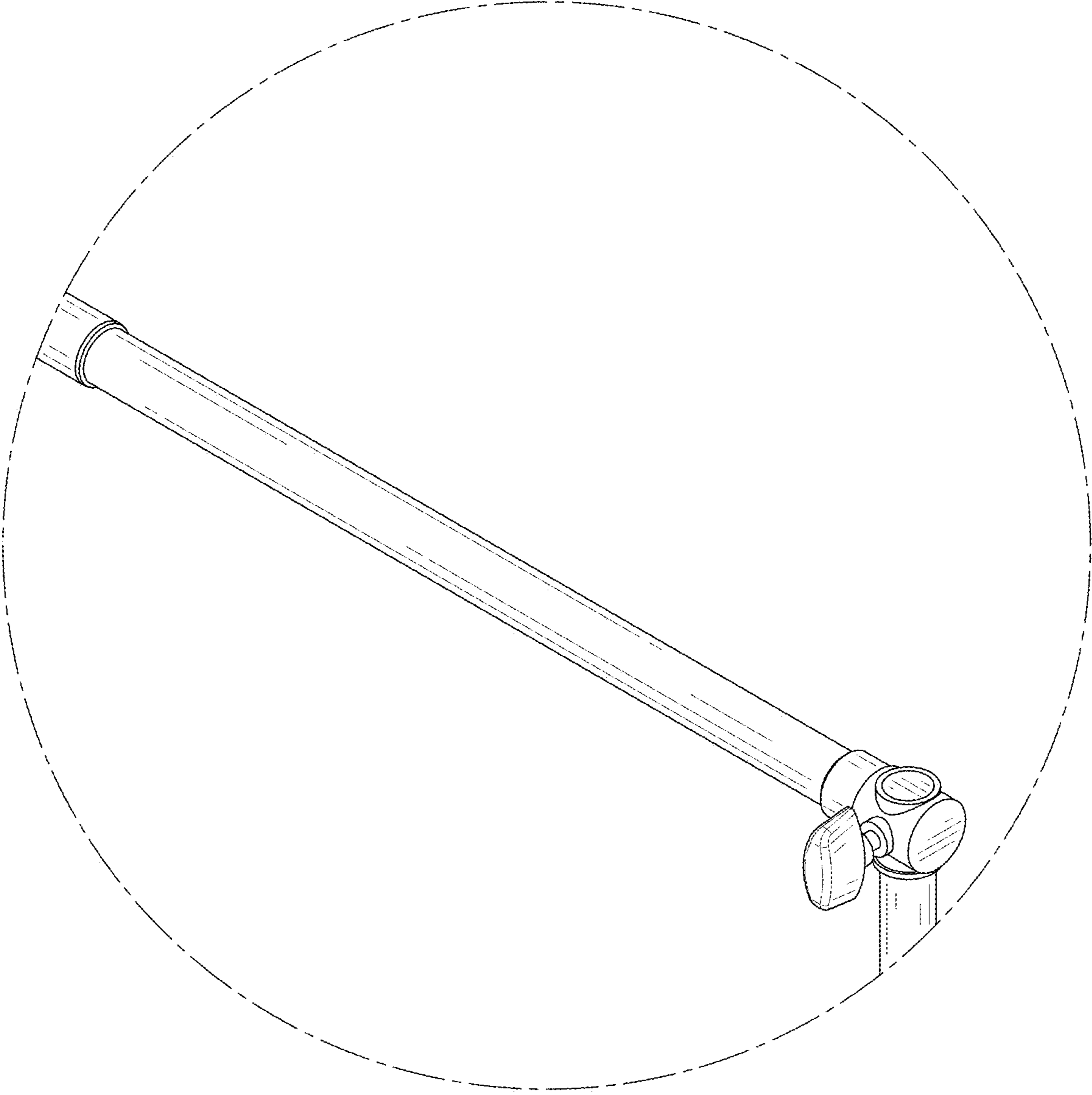


FIG. 12

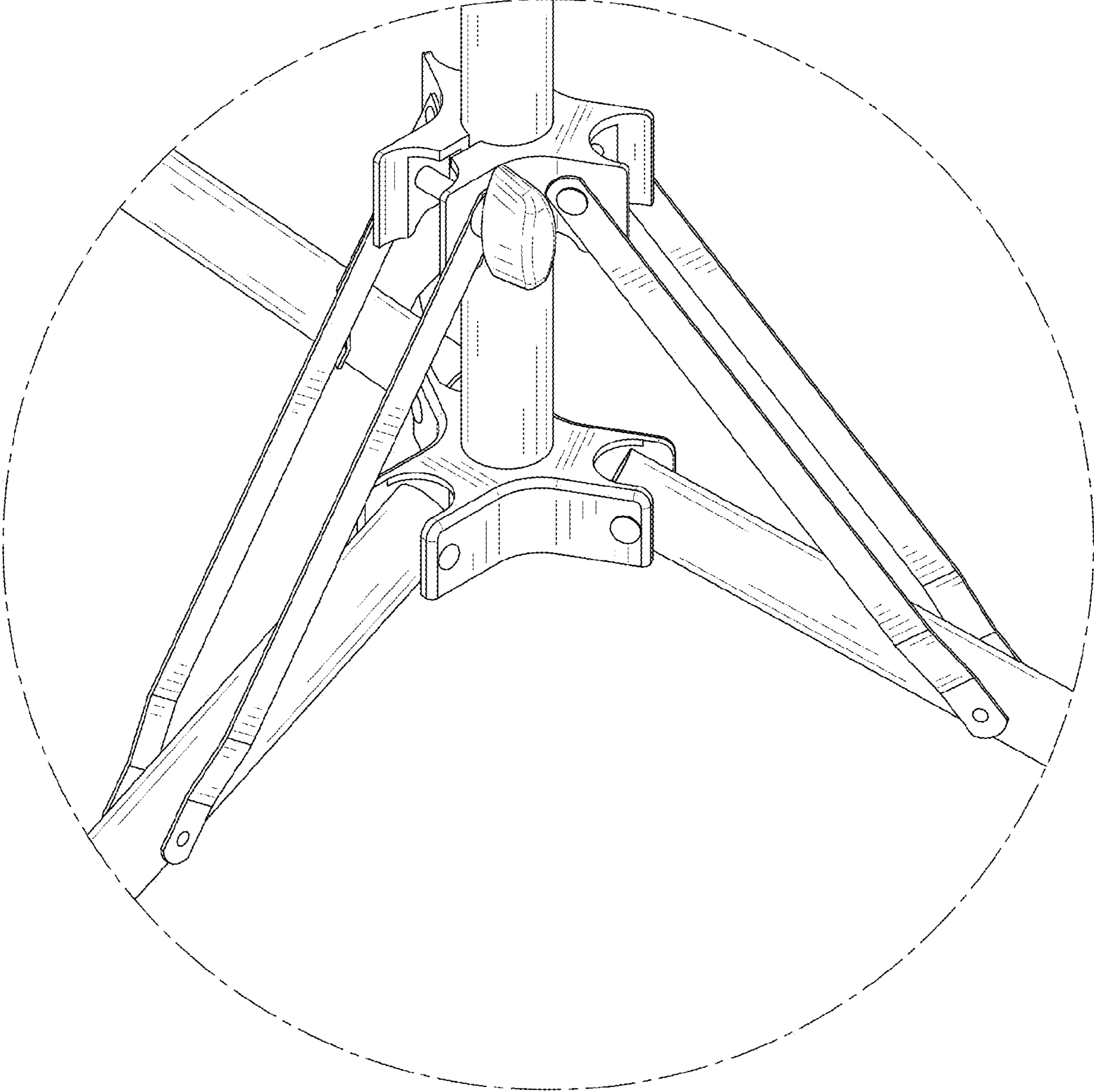


FIG. 13

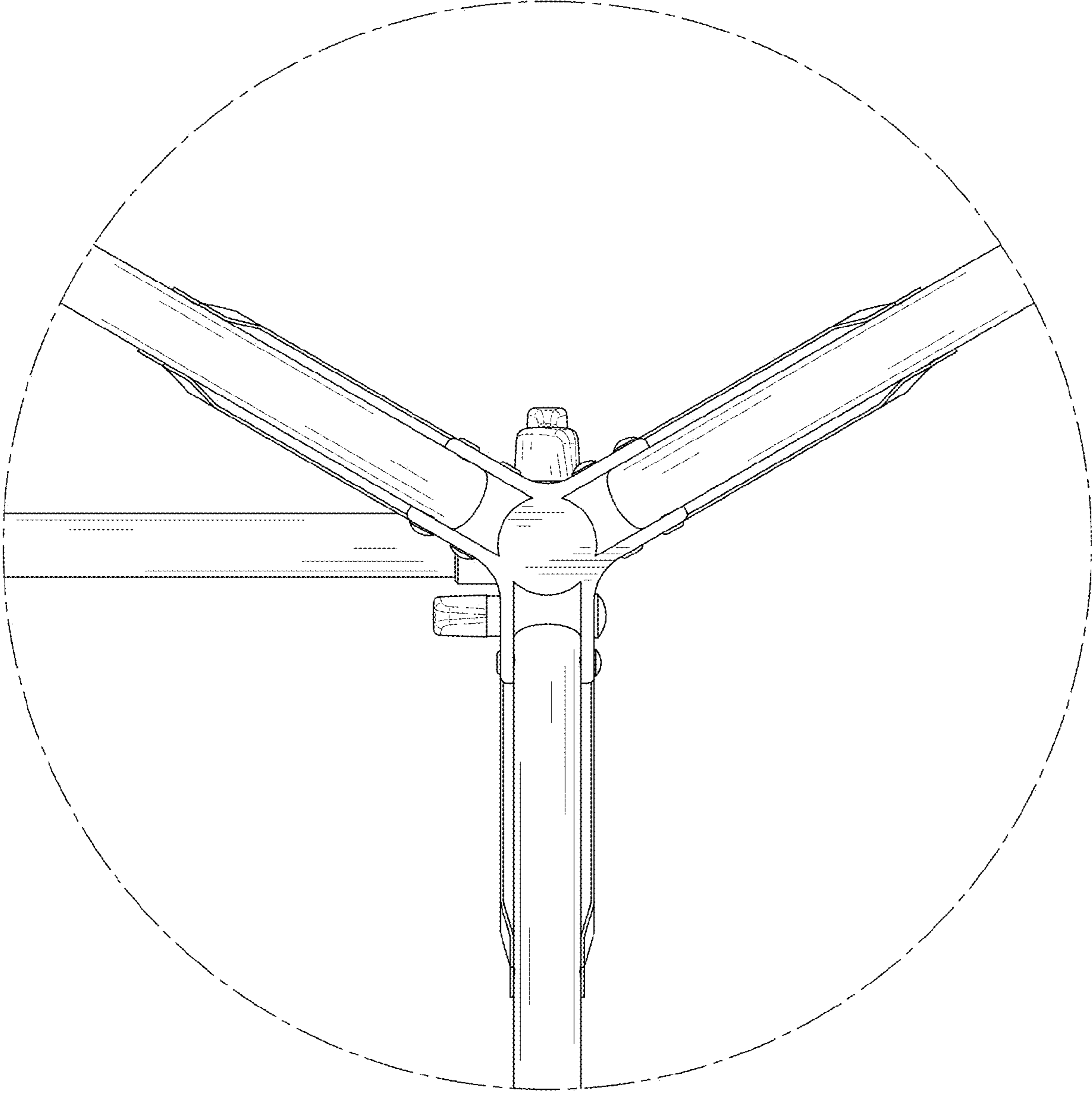


FIG. 14