



US00D965051S

(12) **United States Design Patent**  
**Eastwood et al.**

(10) **Patent No.:** **US D965,051 S**

(45) **Date of Patent:** **\*\* Sep. 27, 2022**

(54) **CAMERA**

(71) Applicant: **Axon Enterprise, Inc.**, Scottsdale, AZ  
(US)

(72) Inventors: **Mark J. Eastwood**, Scottsdale, AZ  
(US); **Nathan Patulski**, Scottsdale, AZ  
(US); **Hans Moritz**, Scottsdale, AZ  
(US); **Vitaly Bulgarov**, Las Vegas, NV  
(US)

(73) Assignee: **Axon Enterprise, Inc.**, Scottsdale, AZ  
(US)

(\*\*) Term: **15 Years**

(21) Appl. No.: **29/832,654**

(22) Filed: **Mar. 29, 2022**

**Related U.S. Application Data**

(63) Continuation of application No. 29/811,511, filed on Oct. 14, 2021, now Pat. No. Des. 949,228, which is a continuation of application No. 29/731,587, filed on Apr. 16, 2020, now Pat. No. Des. 936,130.

(51) **LOC (13) Cl.** ..... **16-05**

(52) **U.S. Cl.**  
USPC ..... **D16/219; D16/208**

(58) **Field of Classification Search**  
USPC ..... D16/200–204, 208, 218, 219;  
D12/187–189, 400; 348/143, 148, 151,  
348/360, 373–376; 396/419, 427–429,  
396/433, 529, 535, 537–541  
CPC ..... G03B 15/03; G03B 17/02; G03B 17/04;  
G03B 17/48; G03B 17/56; G03B 19/04;  
G08G 1/0175; H04N 5/2251; H04N  
5/2252; H04N 5/2253; H04N 5/2254  
See application file for complete search history.

(56) **References Cited**

U.S. PATENT DOCUMENTS

D349,907 S \* 8/1994 Allmendinger ..... D16/202  
D355,205 S \* 2/1995 Yokoi ..... D16/202  
D360,646 S 7/1995 Nomura  
D374,242 S \* 10/1996 Yamanouchi ..... D16/202

(Continued)

OTHER PUBLICATIONS

“Axon Fleet 2 Camera System User Manual”, Axon Enterprise, Inc., p. 1-24, published Jan. 2019 (24 pages).

(Continued)

*Primary Examiner* — Ramzi Almatrahi

(74) *Attorney, Agent, or Firm* — Banner & Witcoff, Ltd.

(57) **CLAIM**

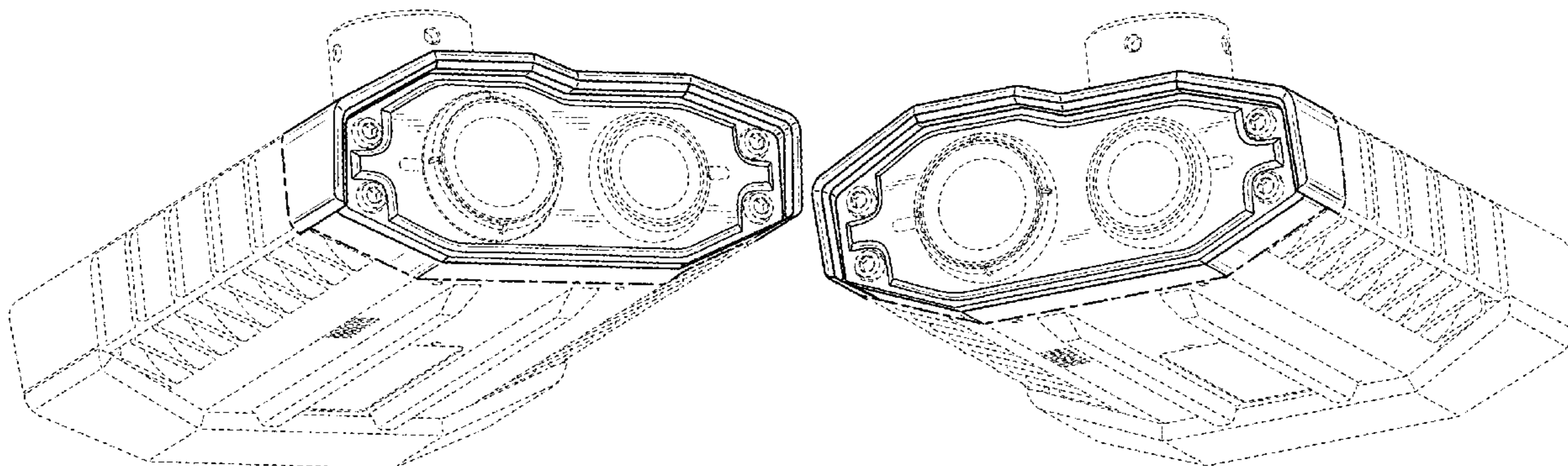
The ornamental design for a camera, as shown and described.

**DESCRIPTION**

FIG. 1 is a top, front, and right side perspective view of a camera showing our new design;  
FIG. 2 is a top, front, and left side perspective view thereof;  
FIG. 3 is a bottom, rear, and right side perspective view thereof;  
FIG. 4 is a bottom, rear, and left side perspective view thereof;  
FIG. 5 is a front view thereof;  
FIG. 6 is a rear view thereof;  
FIG. 7 is a right side view thereof;  
FIG. 8 is a left side view thereof;  
FIG. 9 is a top view thereof; and,  
FIG. 10 is a bottom view thereof.

The broken lines depict portions of the camera in which the design is embodied that form no part of the claimed design. Additionally, the dash-dot broken lines which are shown

(Continued)



immediately adjacent to the shaded areas represent the bounds of the claimed design and form no part of the claimed design.

**1 Claim, 10 Drawing Sheets**

(56)

**References Cited**

U.S. PATENT DOCUMENTS

D383,759 S	9/1997	Nagele et al.	
D388,107 S	12/1997	Huckins	
D390,858 S	2/1998	Wen	
D433,046 S	10/2000	Hall et al.	
D484,160 S	* 12/2003	Kangasmaa .....	D16/202
D519,469 S	4/2006	Sorenson	
D524,835 S	* 7/2006	Barman .....	D16/203
D525,642 S	7/2006	Yamaguchi	
D528,104 S	9/2006	Kimura	
D550,632 S	9/2007	Samuels et al.	
D628,614 S	12/2010	Barley et al.	
D634,315 S	3/2011	Nousiainen	
D640,305 S	6/2011	Hashiguchi	
D646,315 S	10/2011	Orf	
D684,980 S	6/2013	Chun	
D708,251 S	7/2014	Chen et al.	
D717,307 S	11/2014	Chun	
D721,122 S	1/2015	Rivkin et al.	
D721,123 S	1/2015	Rivkin et al.	
D723,042 S	2/2015	Lee et al.	
8,960,623 B2	2/2015	Woolford	
D727,761 S	4/2015	Abe et al.	
D733,783 S	7/2015	Wu	
D739,410 S	9/2015	Chun	
D744,473 S	12/2015	Tsai et al.	
D750,612 S	3/2016	Chen	
D754,235 S	* 4/2016	Fish, Jr. ....	D16/218
D754,768 S	4/2016	Patulski et al.	
D754,769 S	4/2016	Patulski et al.	
D757,705 S	5/2016	Esses	
D772,218 S	11/2016	Alesi et al.	
D780,743 S	3/2017	Chun	
D781,363 S	3/2017	Ikegame	
D781,860 S	3/2017	Tsiopanaset et al.	

D782,560 S	3/2017	Li et al.	
D783,012 S	4/2017	Lee	
D790,528 S	6/2017	Lindloff	
D797,750 S	9/2017	Wengreen	
D799,466 S	10/2017	Sukphist et al.	
D802,042 S	11/2017	Peabody et al.	
D803,294 S	11/2017	Peabody et al.	
D805,575 S	12/2017	Peabody et al.	
D822,747 S	7/2018	Van Deusen et al.	
D823,928 S	7/2018	Hatcher et al.	
D834,633 S	11/2018	Carlson	
D849,817 S	* 5/2019	Wang .....	D16/218
D852,253 S	6/2019	Lee	
D859,495 S	9/2019	Iritani et al.	
D884,046 S	5/2020	Hsu et al.	
D888,803 S	6/2020	Hsu et al.	
D889,525 S	* 7/2020	Abdul .....	D16/208
D890,241 S	7/2020	Abdul	
D924,304 S	* 7/2021	Kapuria .....	D16/208
D936,130 S	* 11/2021	Eastwood .....	D16/218
D942,525 S	* 2/2022	Nakamura .....	D16/208
2012/0174382 A1	7/2012	Dering	
2012/0327234 A1	12/2012	Fish, Jr. et al.	
2016/0119514 A1	4/2016	Sugimura et al.	

OTHER PUBLICATIONS

“Axon Fleet 2 Camera System Quick Start Guide”, Axon Enterprise, Inc , p. 1-2, publication date unknown but prior to the filing date of the present application (2 pages).  
 “Axon Fleet Camera System Quick Start Guide”, Axon Enterprise, Inc., p. 1-2, publication date unknown but prior to the filing date of the present application (2 pages).  
 “Axon Fleet 2”, Axon Enterprise, Inc., p. 1-2, publication date unknown but prior to the filing date of the present application (2 pages).  
 “Axon Flex 2—Ballistic Vest Mount”; Axon; retrieved Apr. 1, 2020; disclosure date unknown but prior to the filing date of the present application; URL: [https://buy.axon.com/ccrz\\_ProductDetails?sku=11555](https://buy.axon.com/ccrz_ProductDetails?sku=11555).  
 “Passive holder with tilt swivel”; Brodit; retrieved Apr. 1, 2020; published Jul. 1, 2017; URL: <https://www.brodit.com/product.html?id=511848>.

\* cited by examiner

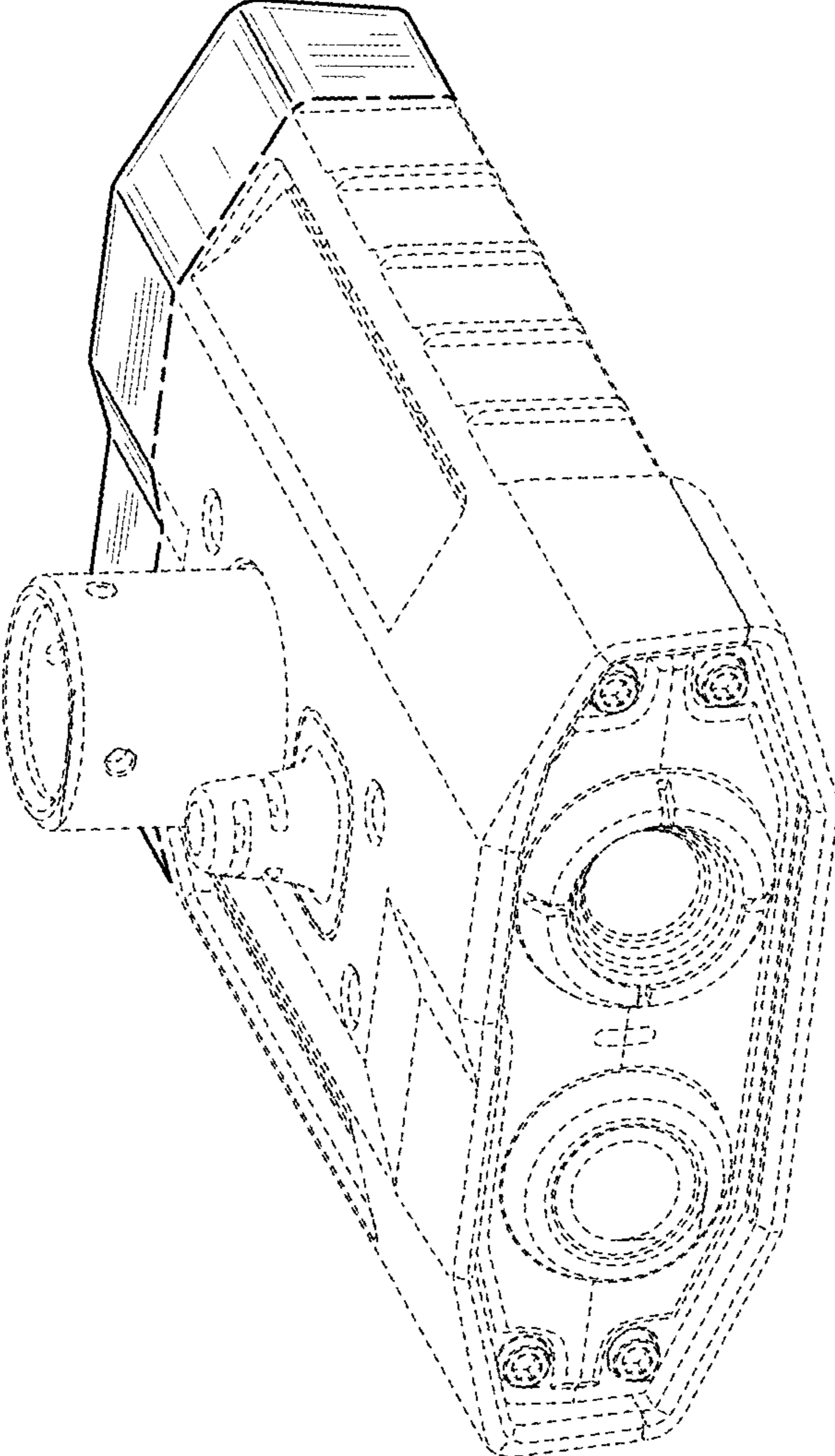


FIG. 1



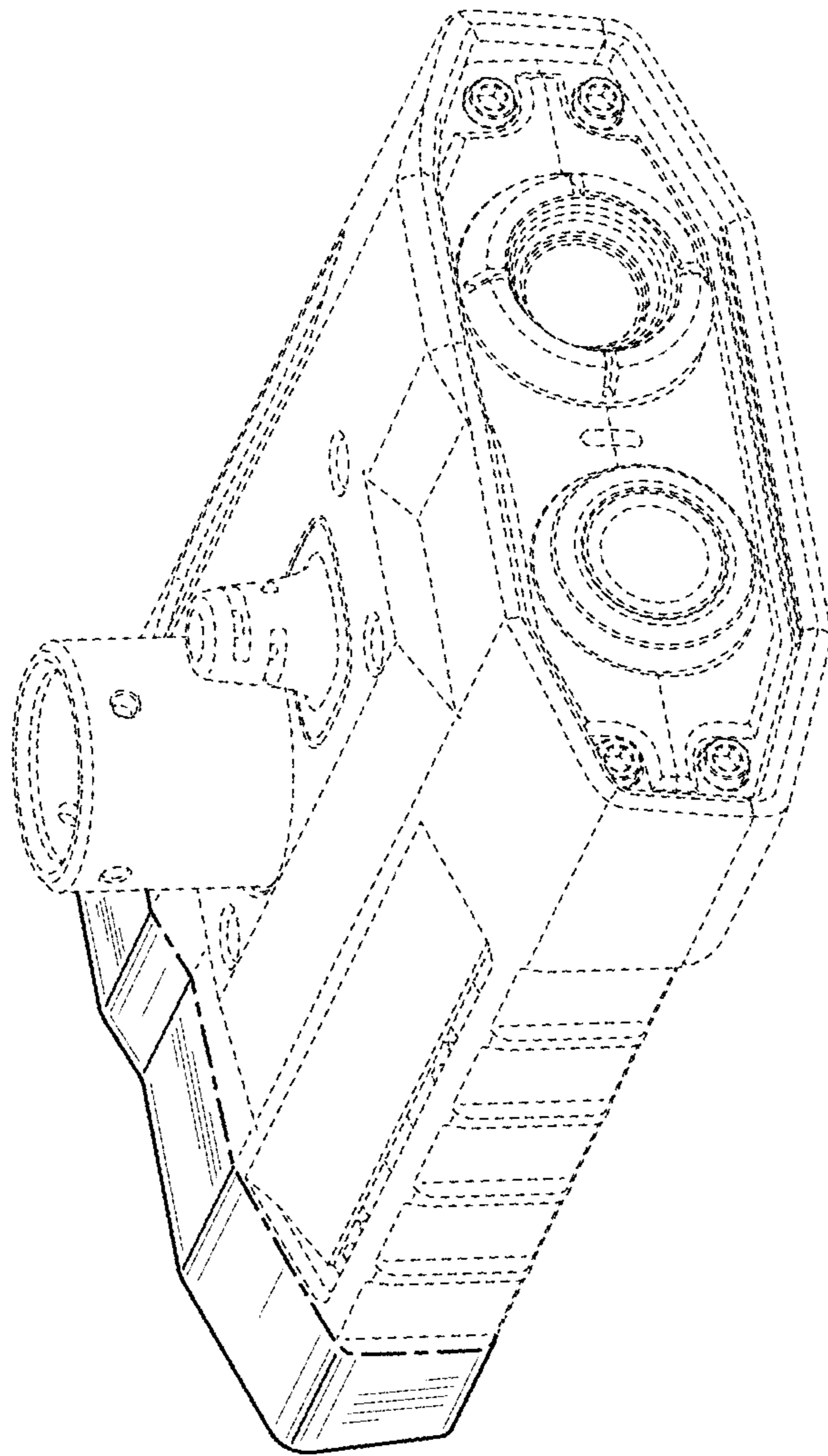


FIG. 2

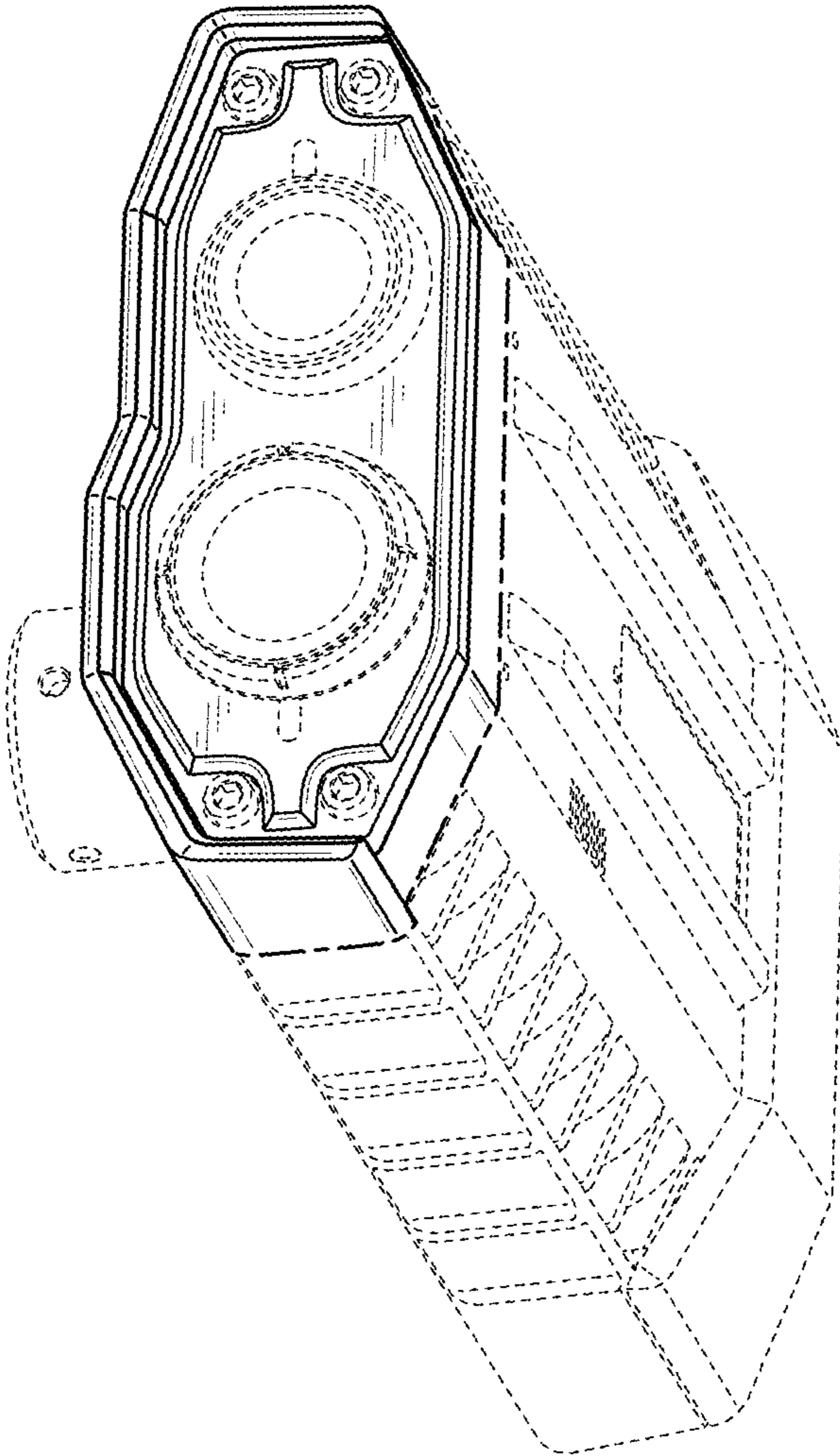


FIG. 3

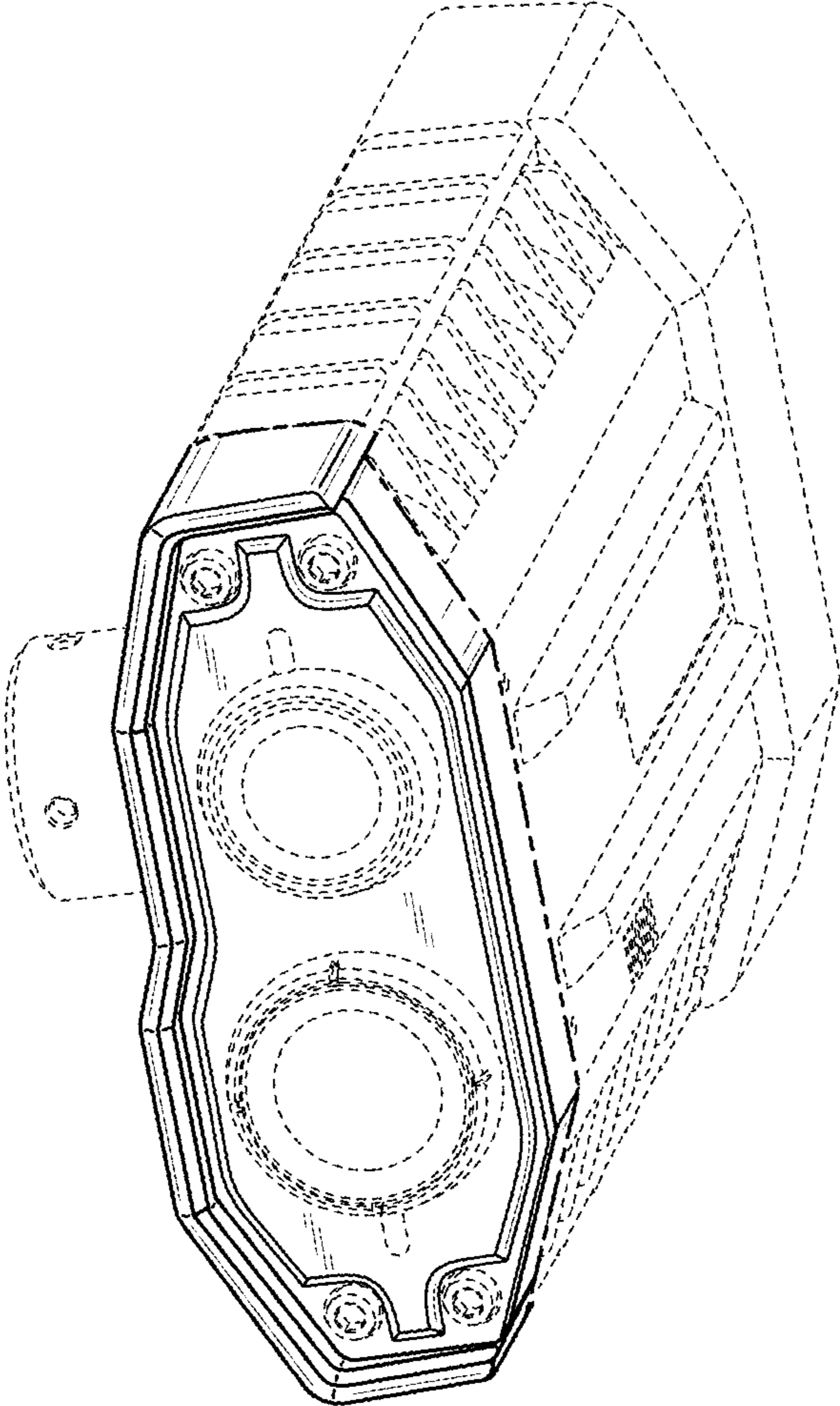


FIG. 4

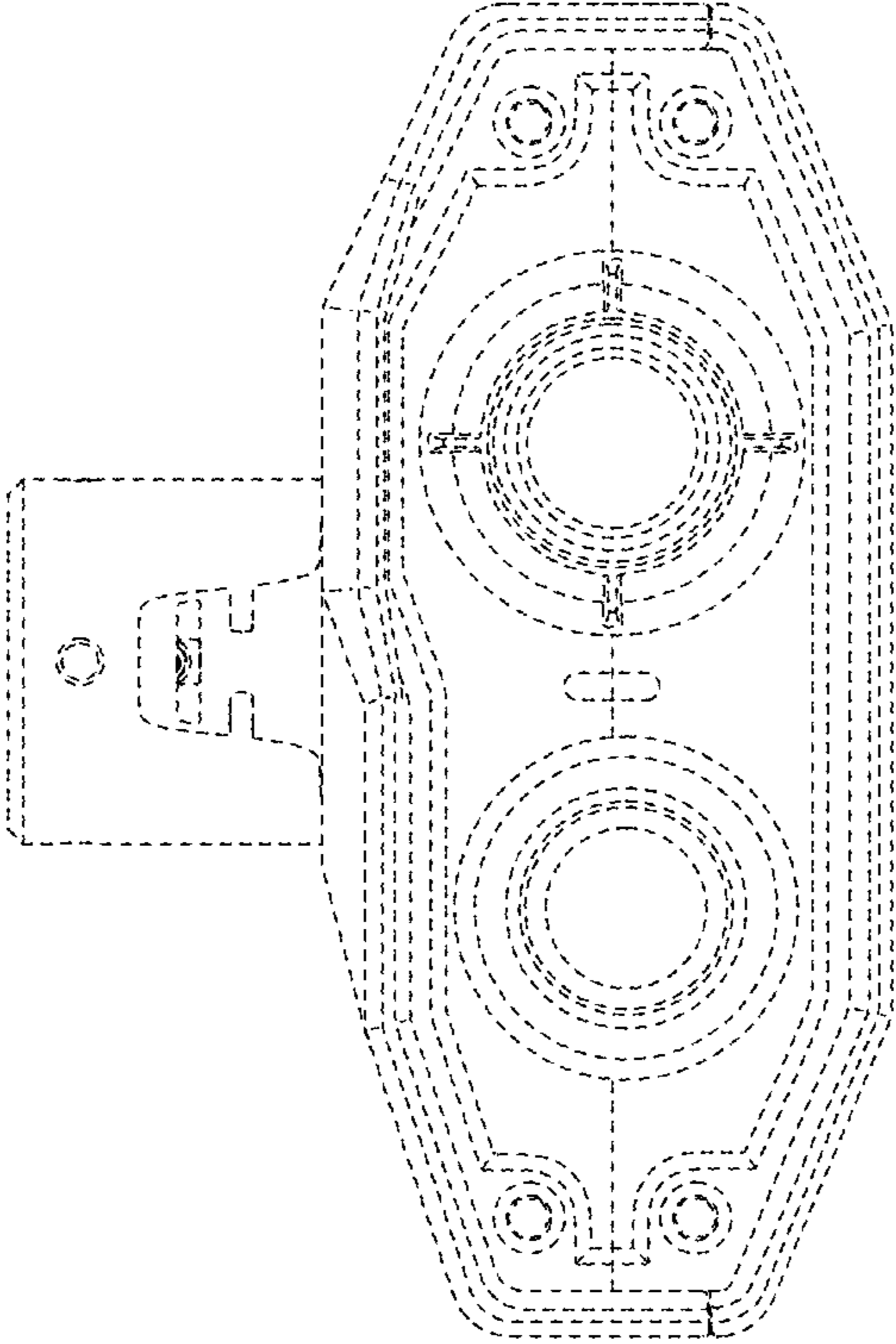


FIG. 5

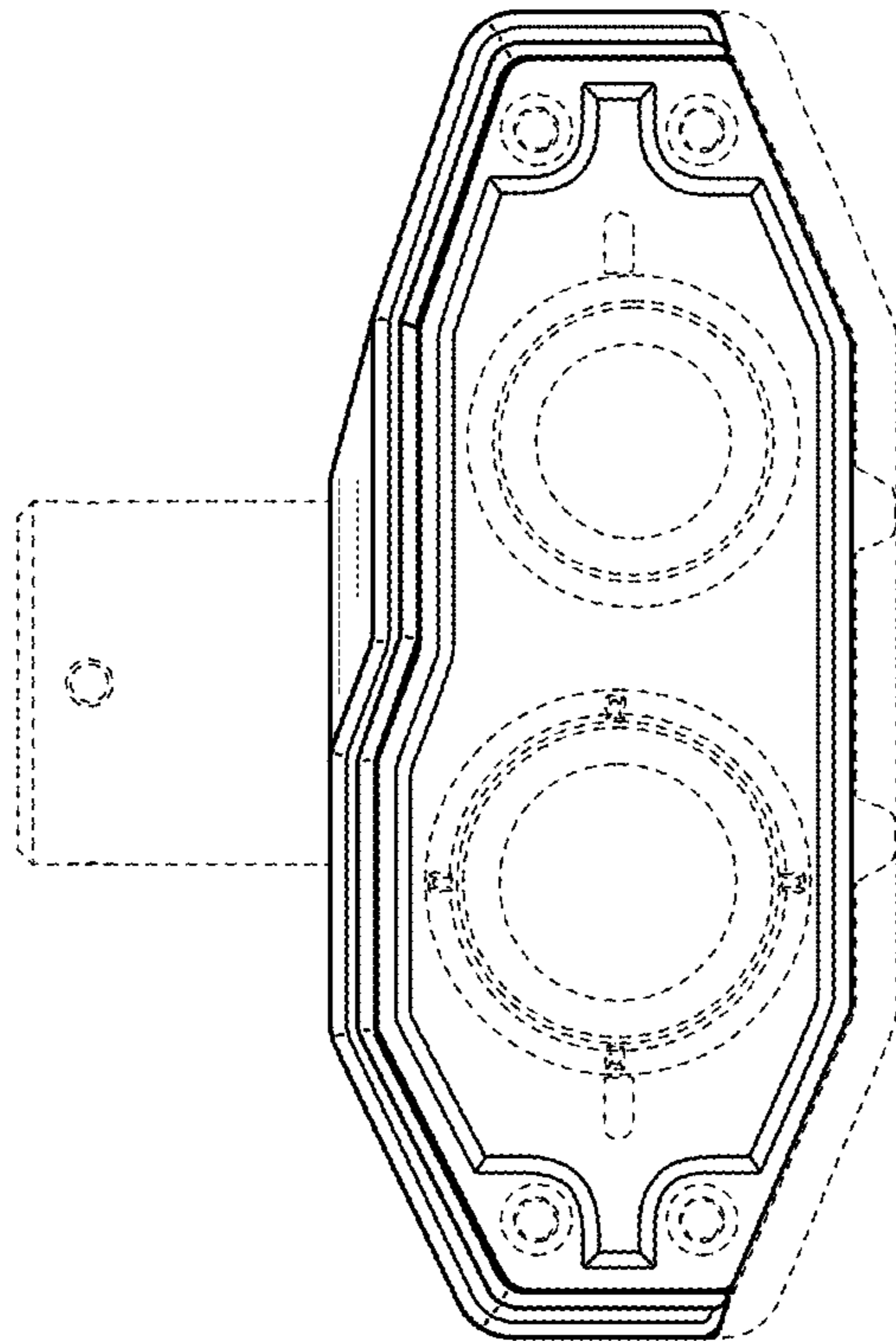


FIG. 6



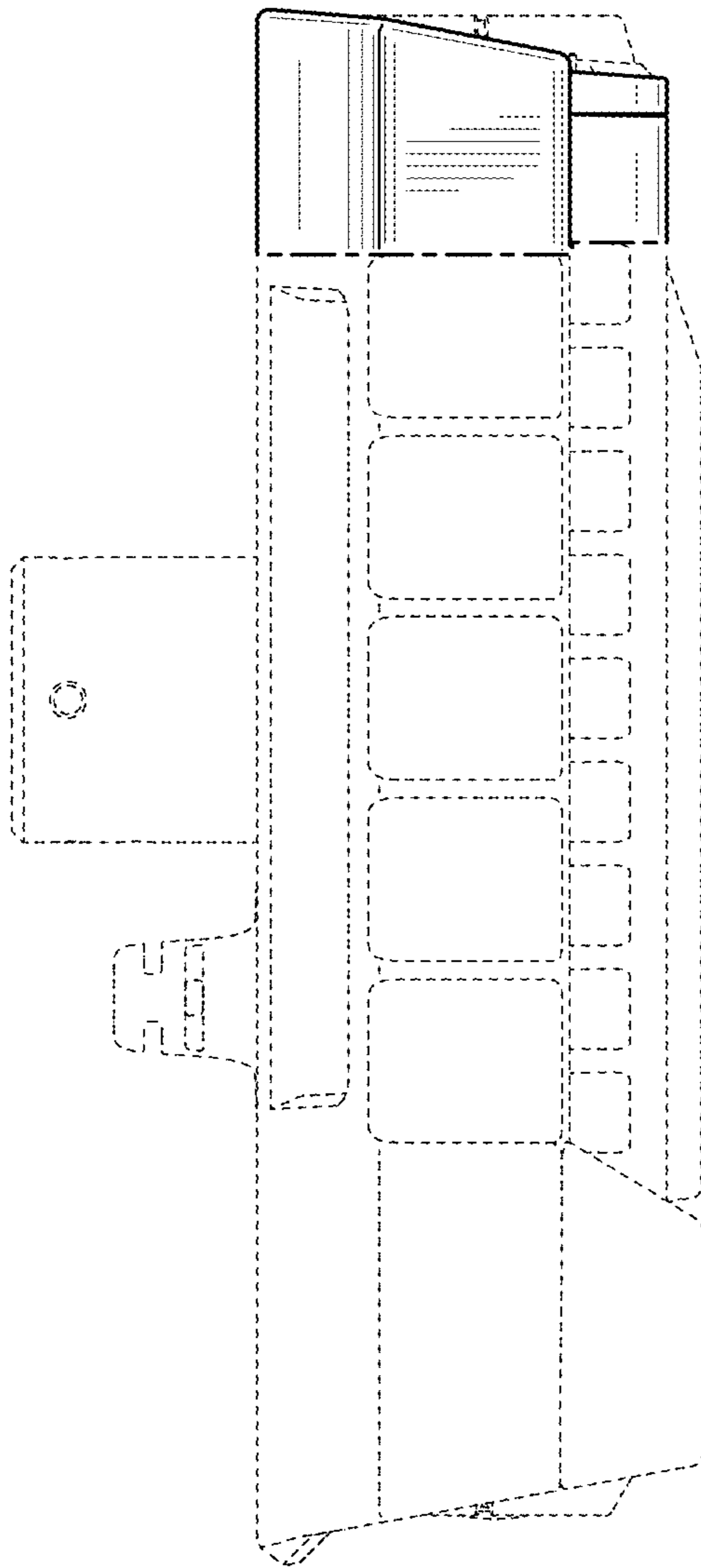


FIG. 7

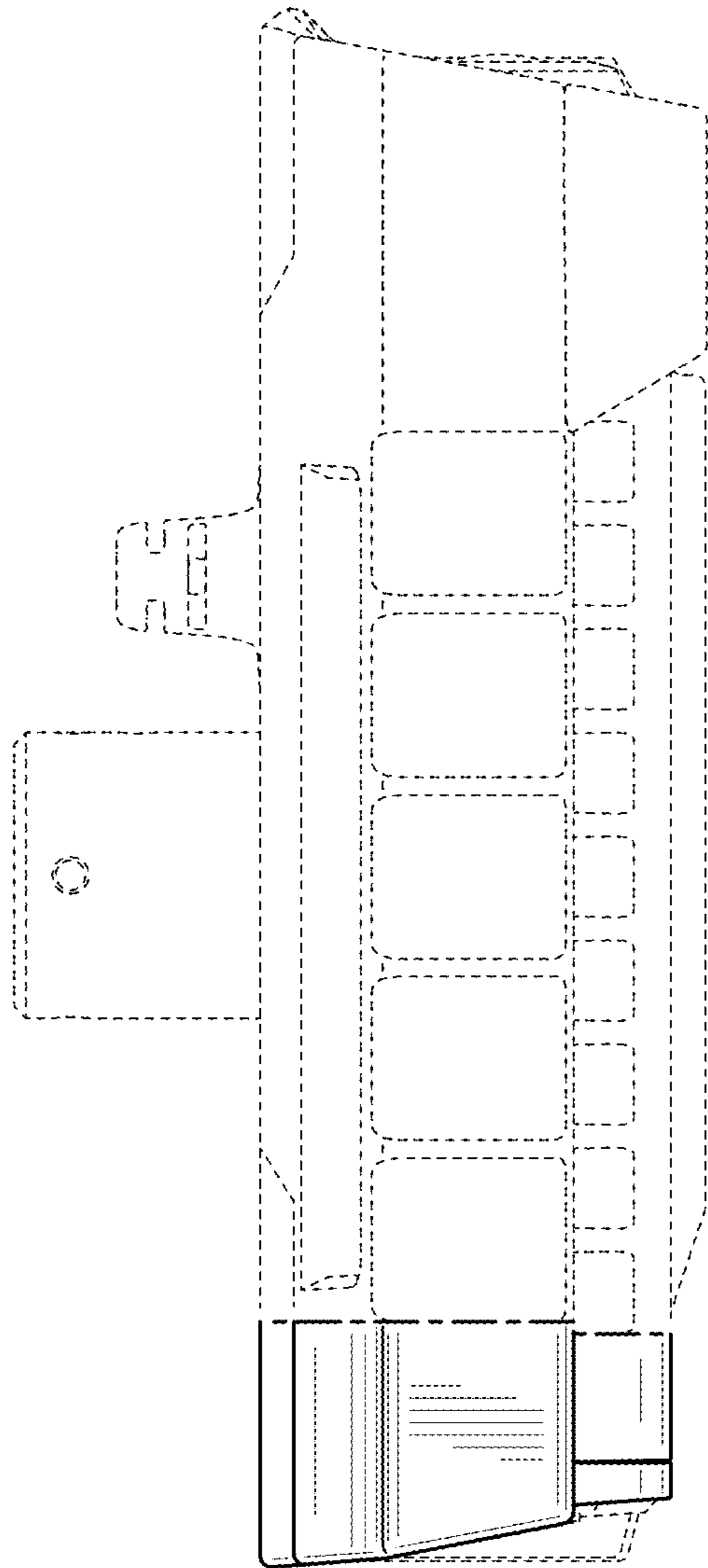


FIG. 8

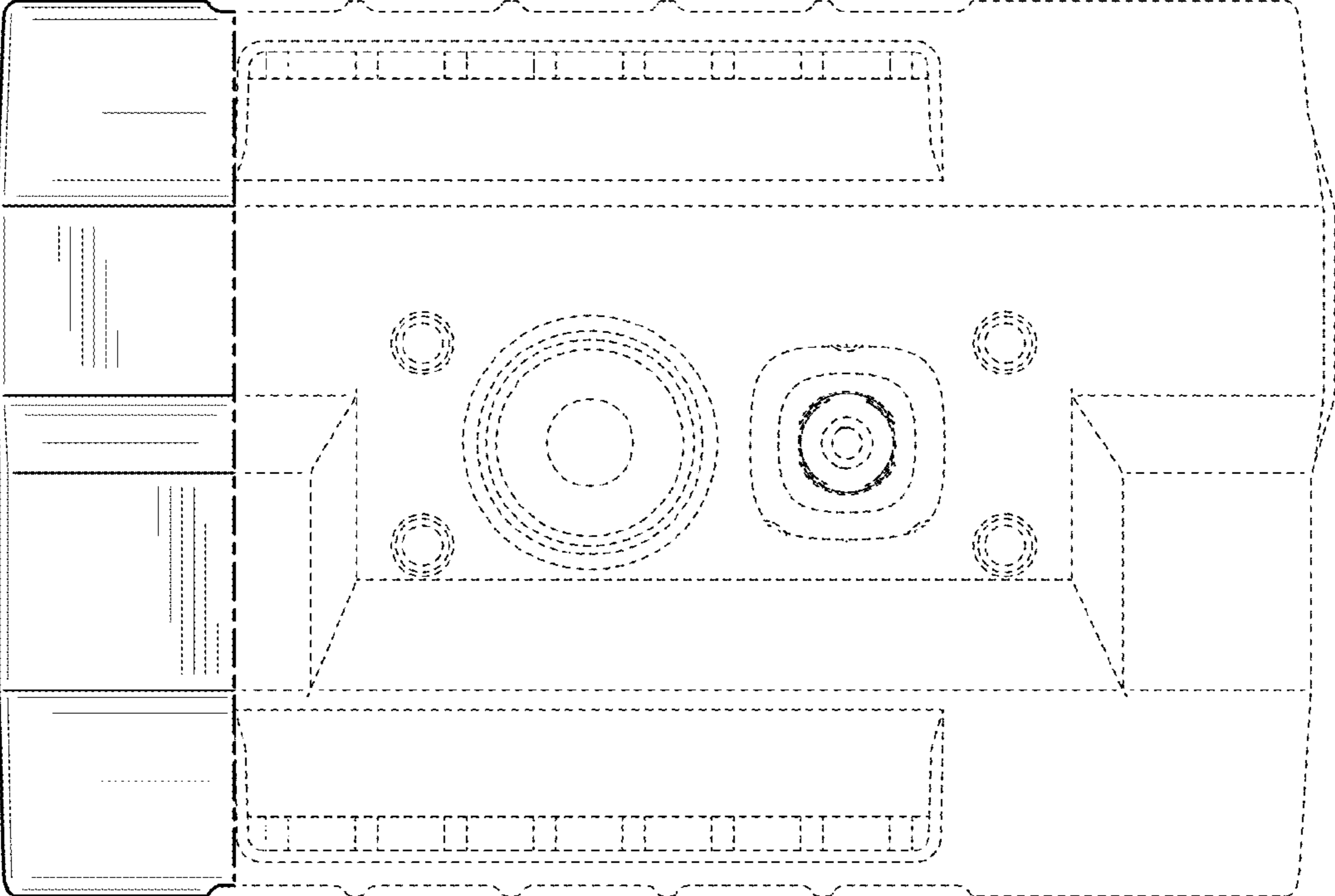


FIG. 9

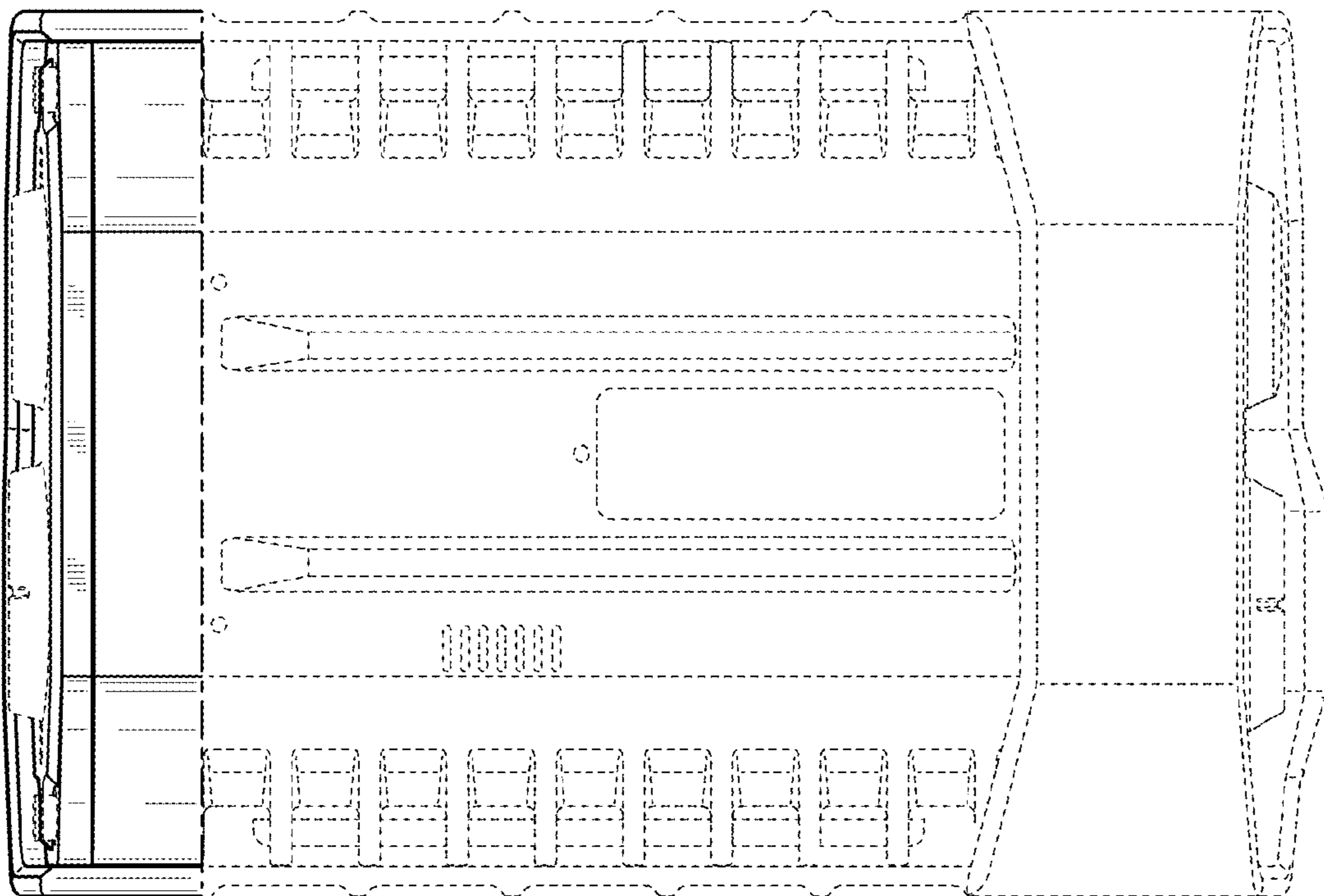


FIG. 10