



US00D965049S

(12) **United States Design Patent**  
**Kondo et al.**

(10) **Patent No.:** **US D965,049 S**

(45) **Date of Patent:** **\*\* Sep. 27, 2022**

(54) **SURVEILLANCE CAMERA**

(71) Applicant: **OPTEX CO., LTD.**, Otsu (JP)

(72) Inventors: **Takashi Kondo**, Otsu (JP); **Maho Tsuchida**, Otsu (JP); **Takeo Hyodo**, Tokyo (JP)

(\*\*) Term: **15 Years**

(21) Appl. No.: **35/511,928**

(22) Filed: **Nov. 24, 2020**

(80) **Hague Agreement Data**

Int. Filing Date: **Nov. 24, 2020**

Int. Reg. No.: **DM/211913**

Int. Reg. Date: **Nov. 24, 2020**

Int. Reg. Pub. Date: **May 28, 2021**

(51) **LOC (13) Cl.** ..... **16-01**

(52) **U.S. Cl.**  
USPC ..... **D16/203**

(58) **Field of Classification Search**  
USPC ..... D16/200, 202-205, 208, 218, 219, 242  
CPC ..... G03B 17/02; G03B 17/04; G03B 17/56;  
G03B 19/04; G03B 15/03  
See application file for complete search history.

(56) **References Cited**

**U.S. PATENT DOCUMENTS**

D434,057 S \* 11/2000 Whitby ..... D16/202  
D577,049 S \* 9/2008 Lau ..... D16/203

D624,106 S \* 9/2010 Cho ..... D16/203  
D637,640 S \* 5/2011 Park ..... D16/203  
D747,383 S \* 1/2016 Li ..... D16/203  
D803,921 S \* 11/2017 Ballard ..... D16/203  
D807,942 S \* 1/2018 Kim ..... D16/203  
D866,632 S \* 11/2019 Siminoff ..... D16/203  
D866,633 S \* 11/2019 Siminoff ..... D16/203  
D876,514 S \* 2/2020 Siminoff ..... D16/203

\* cited by examiner

*Primary Examiner* — Holly E Thurman

(57) **CLAIM**

The ornamental design for a surveillance camera, as shown and described.

**DESCRIPTION**

1. Security camera

1.1 : Front

1.2 : Back

1.3 : Left

1.4 : Top

1.5 : Bottom

1.6 : Perspective

1.7 : Perspective

1.8 : Perspective

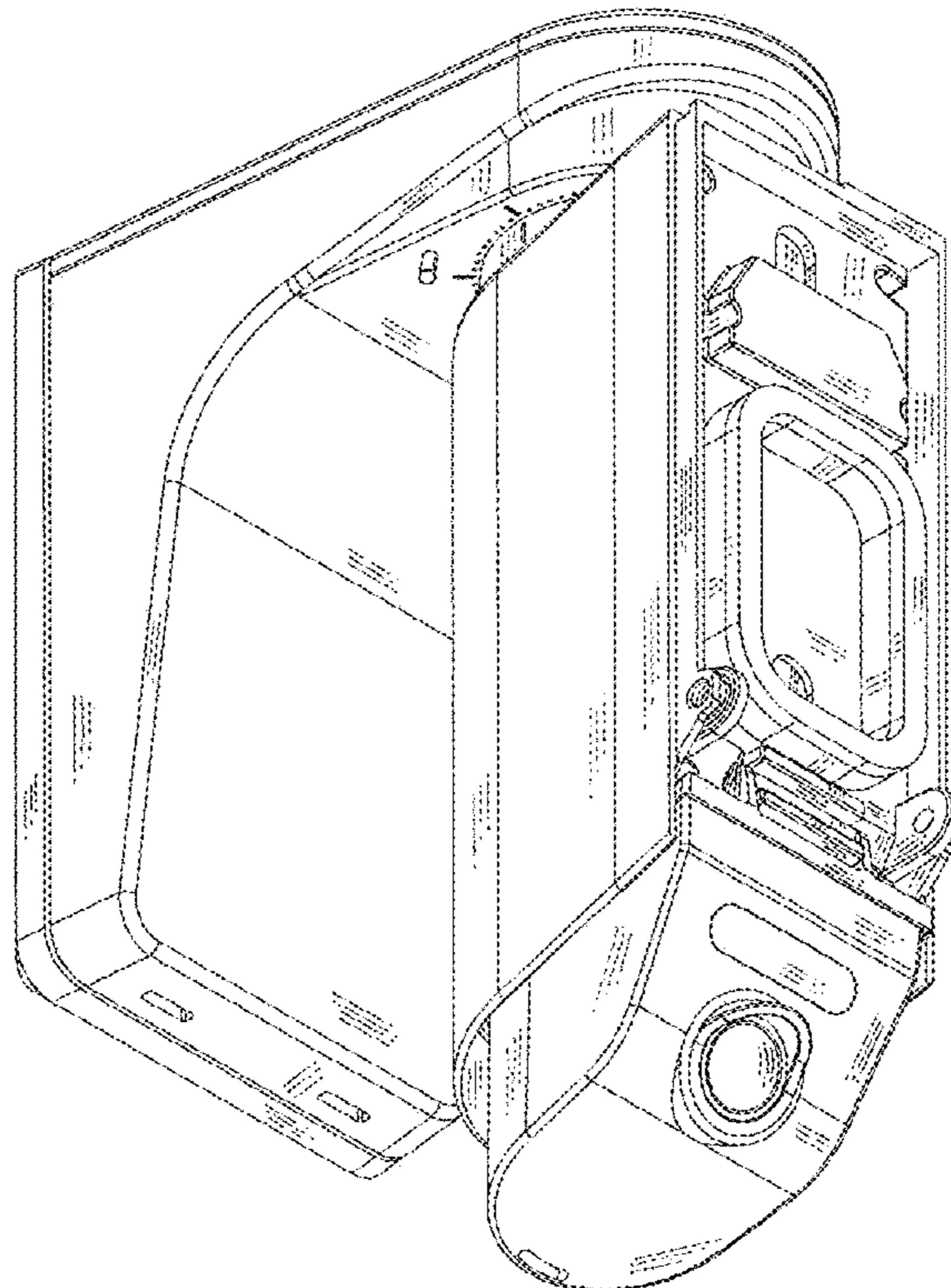
1.9 : Perspective

1.10 : Reference View in a position of use

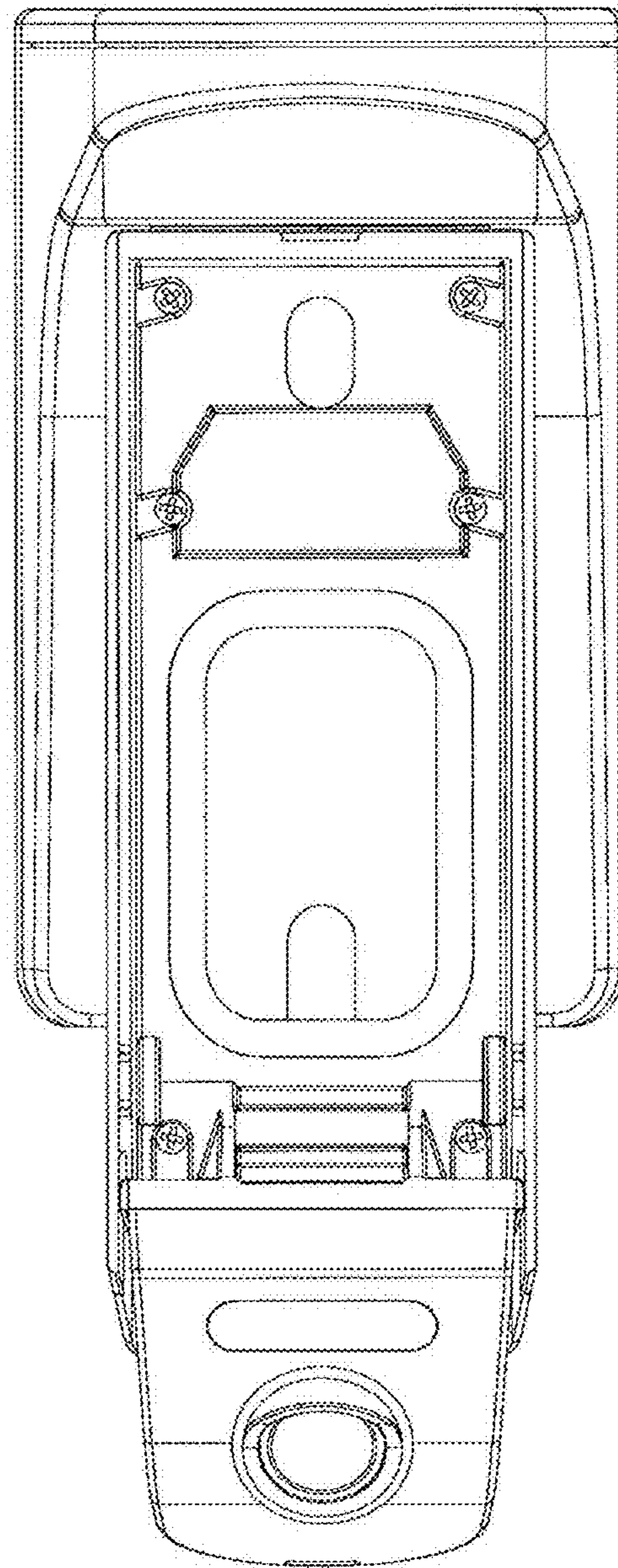
1.11 : Reference View in a position of use

The dotted broken lines in the drawings illustrate portions of the surveillance camera which form no part of the claimed design. The dot-dot-dash broken lines depict environment and form no part of the claimed design.

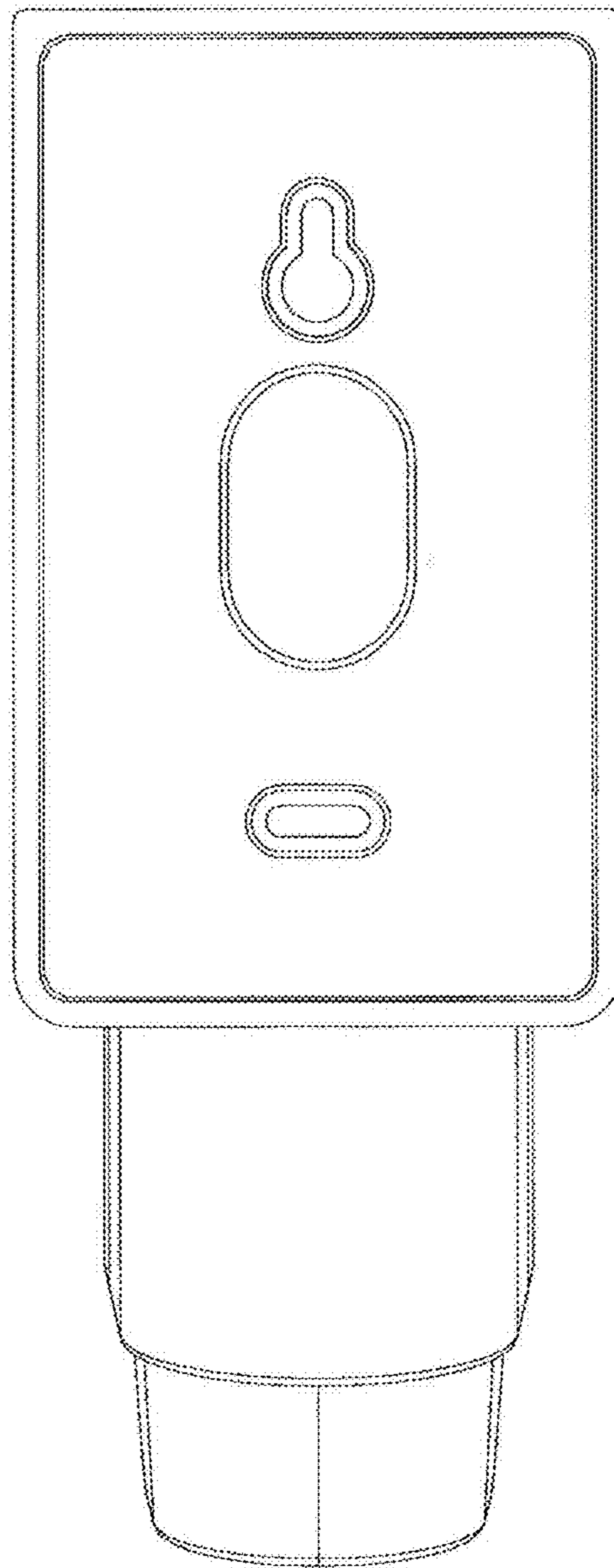
**1 Claim, 11 Drawing Sheets**



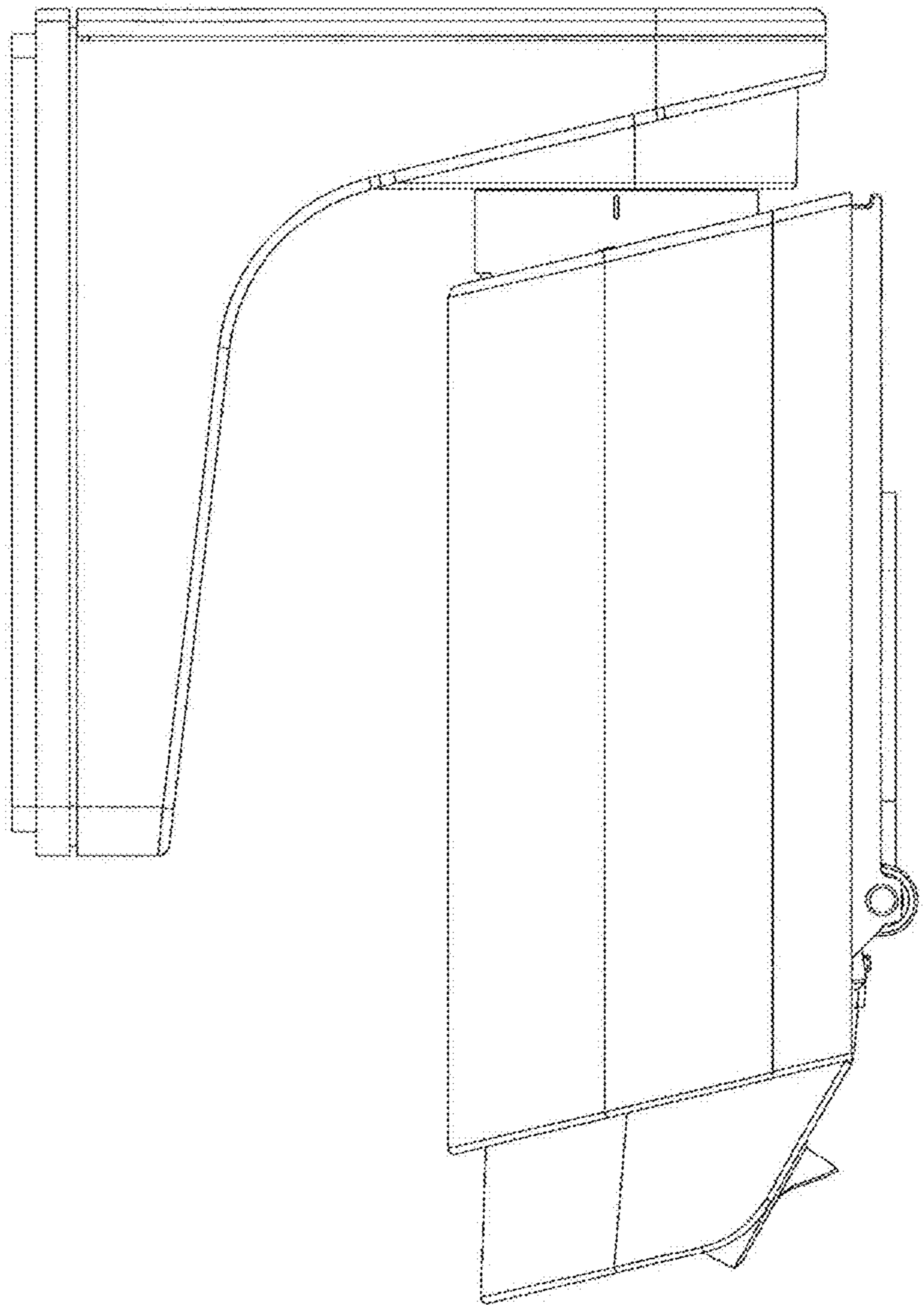
1.1



1.2



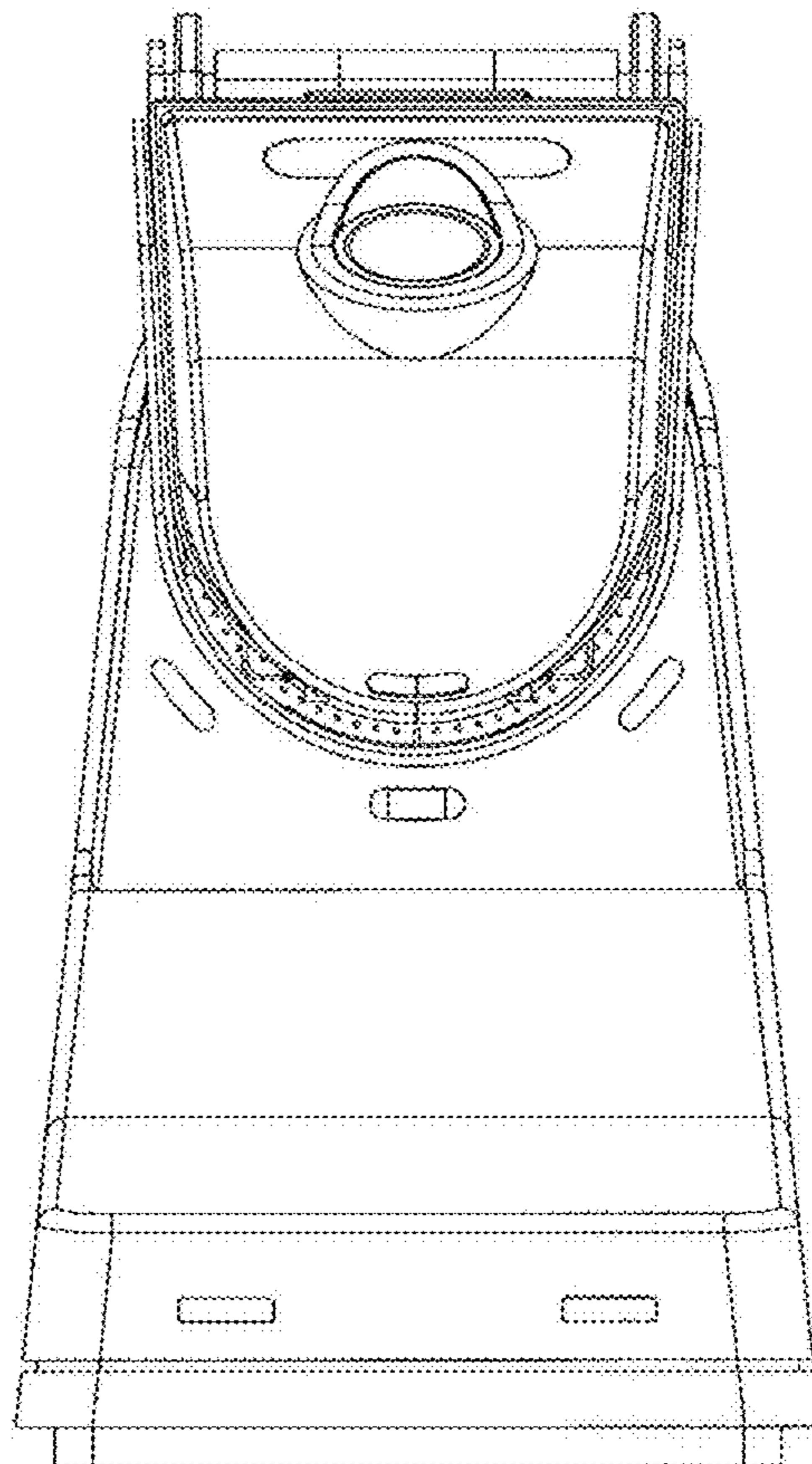
1.3



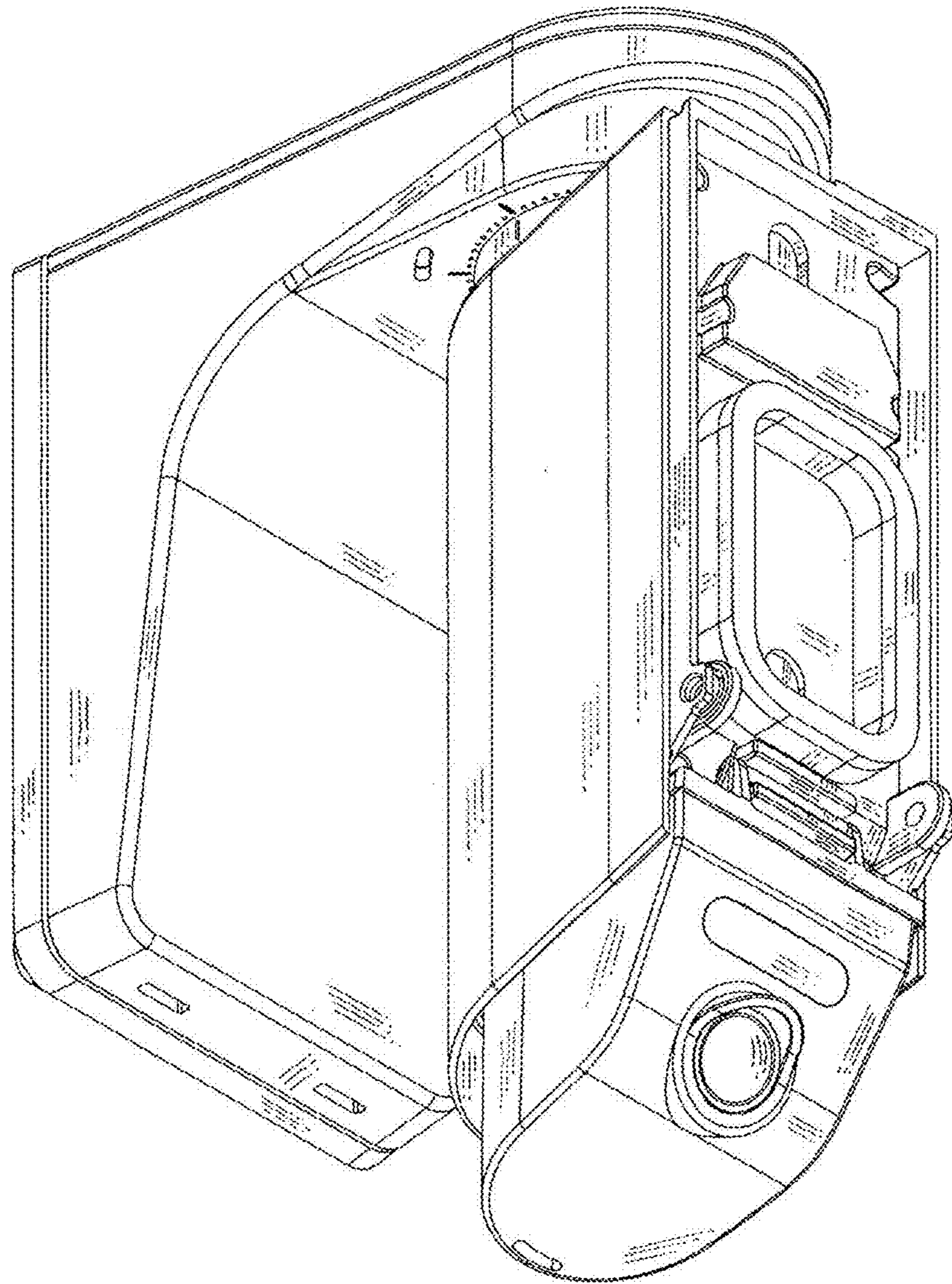
1.4



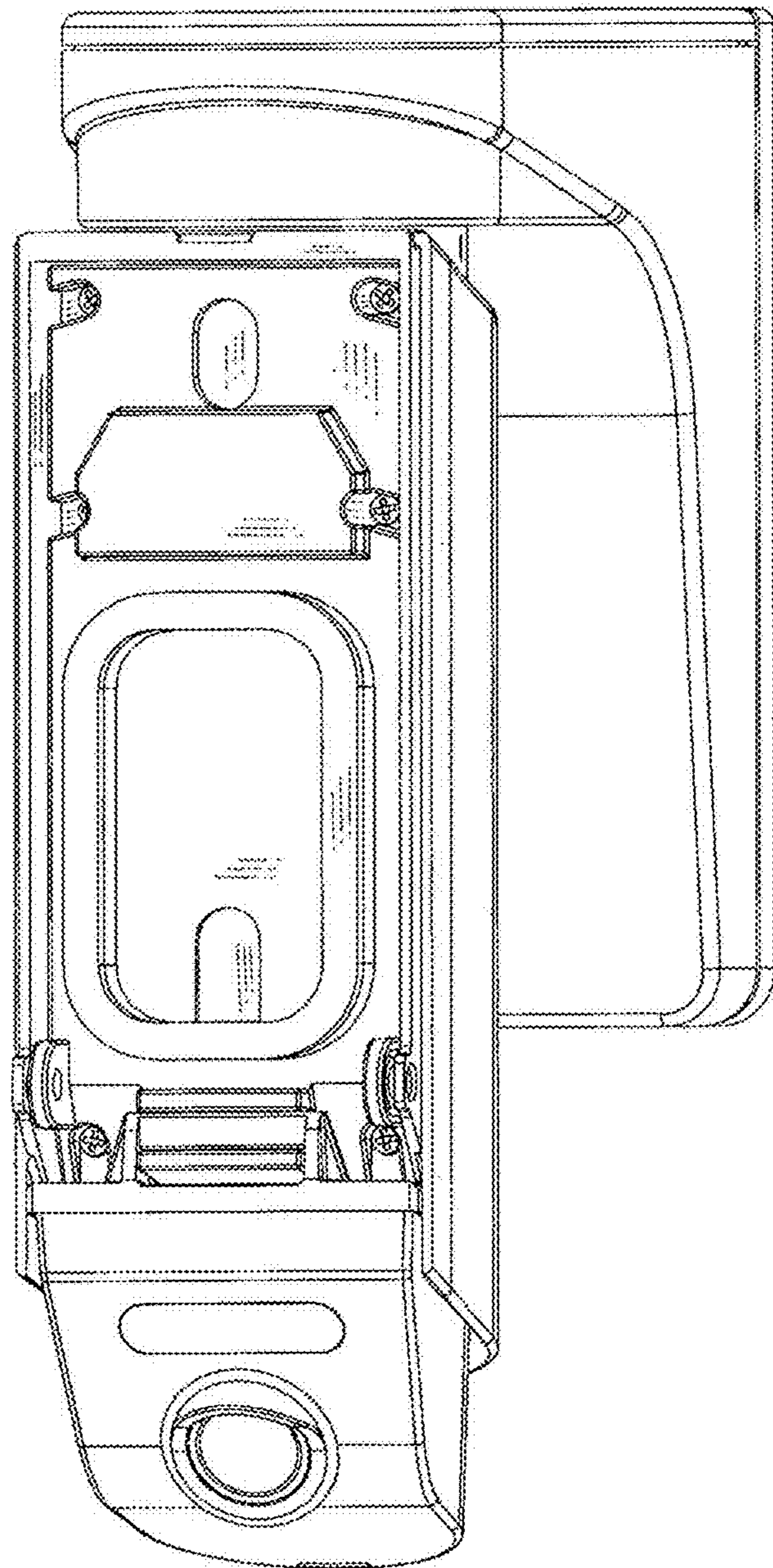
1.5



1.6

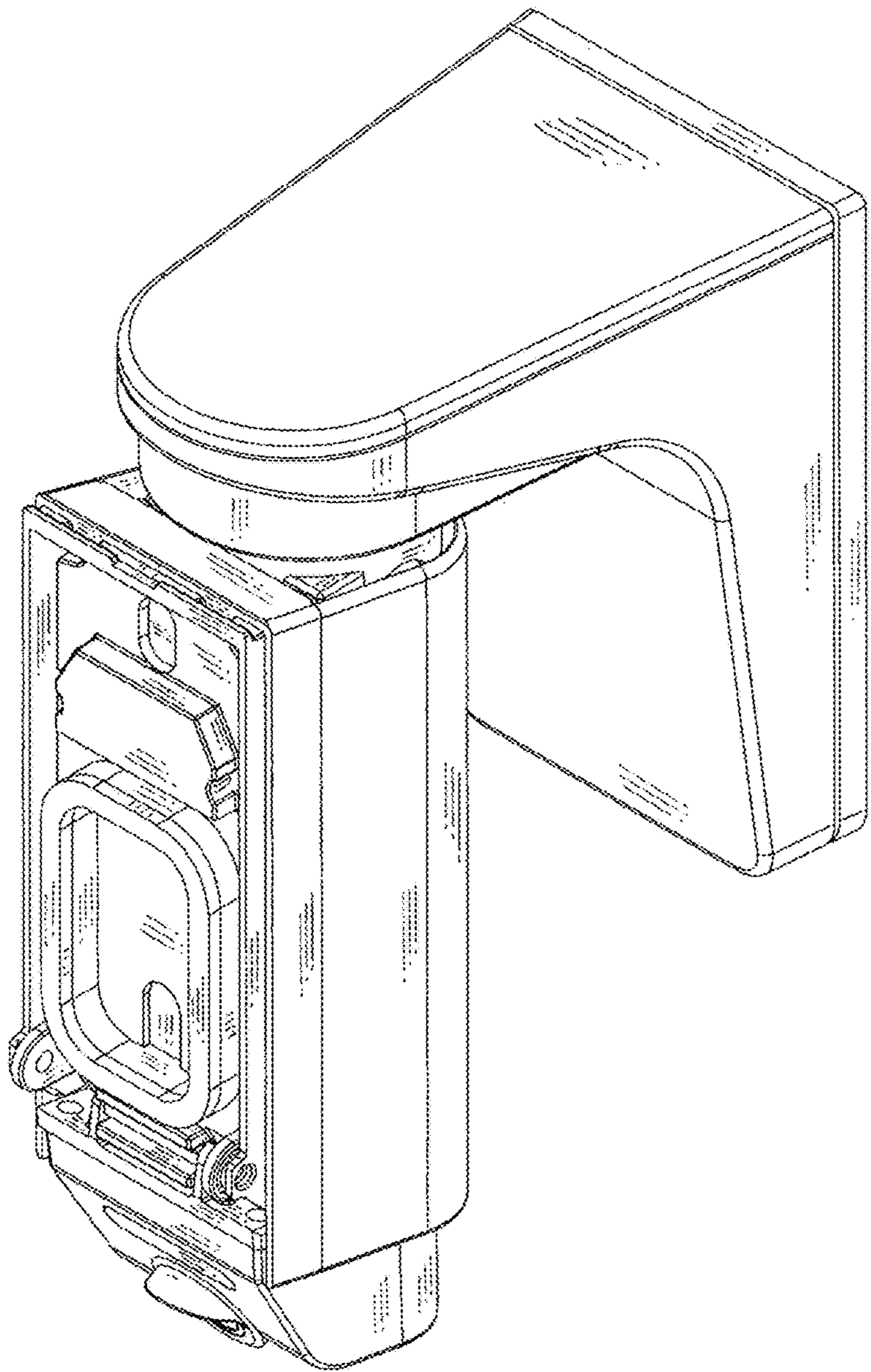


1.7

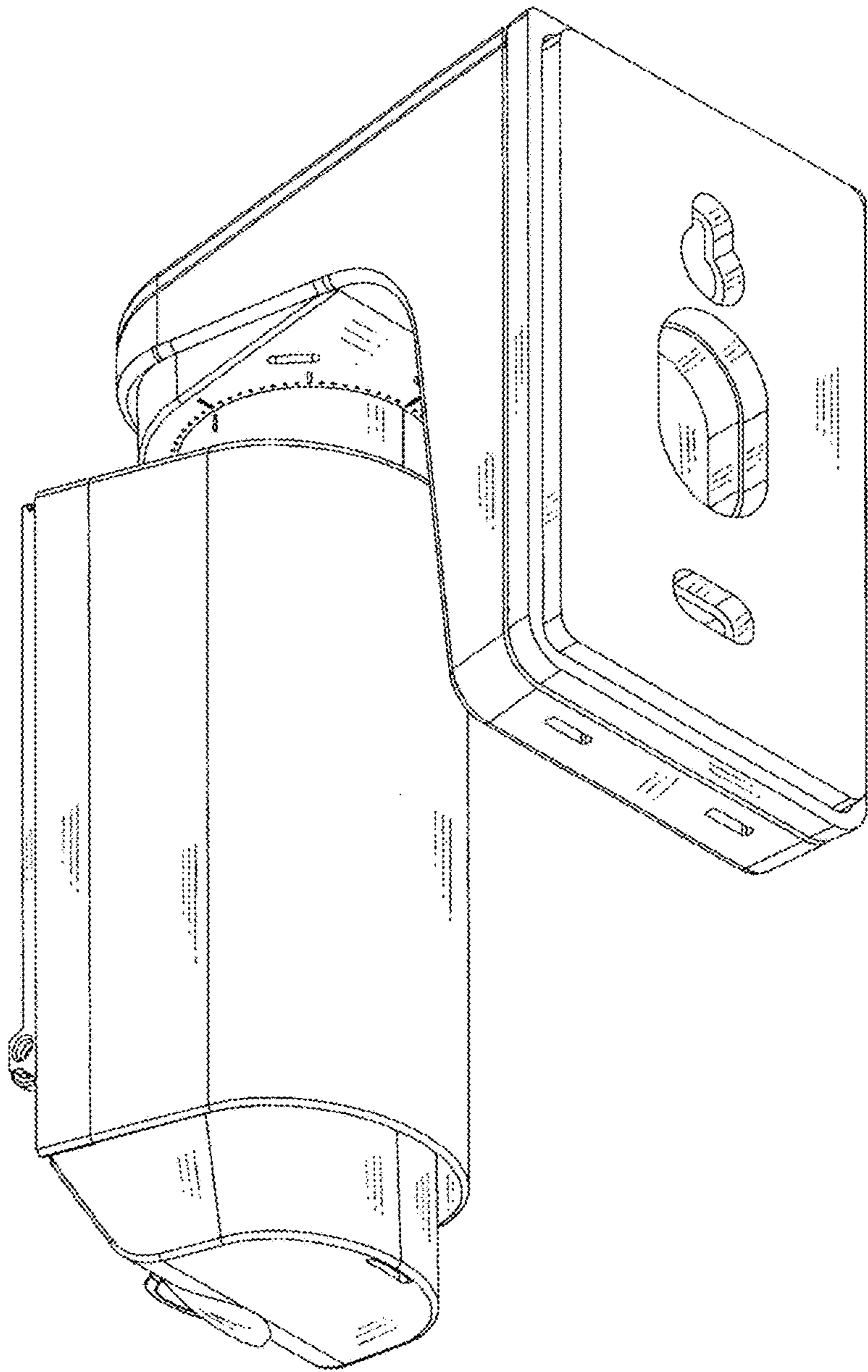




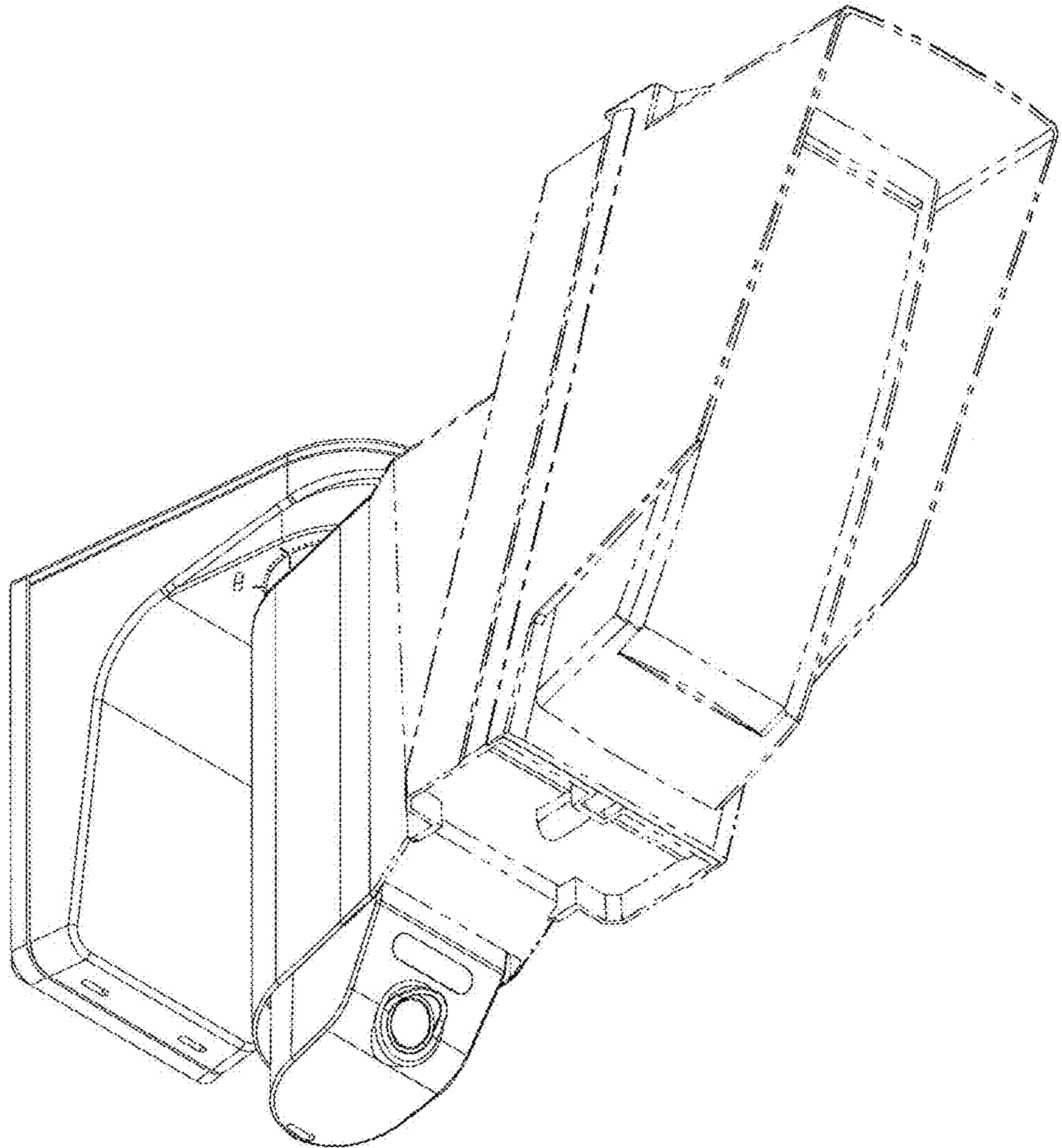
1.8



1.9



1.10



1.11

