



US00D965048S

(12) **United States Design Patent** (10) **Patent No.:** **US D965,048 S**
Pfiffi (45) **Date of Patent:** **** Sep. 27, 2022**

(54) **SURVEILLANCE CAMERA**
(71) Applicant: **Mobotix AG**, Winnweiler (DE)
(72) Inventor: **Horst Pfiffi**, Queidersbach (DE)
(**) Term: **15 Years**
(21) Appl. No.: **29/787,676**
(22) Filed: **Jun. 8, 2021**

| | | | |
|--------------|---------|-------------------|---------|
| D333,061 S * | 2/1993 | Sedighzadeh | D6/512 |
| D354,973 S * | 1/1995 | Hisatune | 348/143 |
| D450,075 S | 11/2001 | Uehara | |
| D455,166 S | 4/2002 | Raad et al. | |
| D558,811 S * | 1/2008 | Higgins | D16/208 |
| D732,596 S | 6/2015 | Wang et al. | |
| D743,472 S | 11/2015 | Tanifuji | |
| D771,174 S * | 11/2016 | Hinkel | D16/203 |
| D807,942 S * | 1/2018 | Kim | D16/203 |
| D867,428 S | 11/2019 | Jiang et al. | |
| D878,264 S | 3/2020 | Ahn et al. | |
| D924,303 S * | 7/2021 | Pfiffi | D16/203 |

* cited by examiner

Related U.S. Application Data

(63) Continuation-in-part of application No. 35/508,074, filed on Oct. 1, 2019 (U.S. filing date under 35 U.S.C. 384), and having an international filing date of Oct. 1, 2019, now Pat. No. Des. 924,303.

Primary Examiner — Holly E Thurman

(74) *Attorney, Agent, or Firm* — Holland & Hart LLP

(30) **Foreign Application Priority Data**

Sep. 27, 2019 (EM) 006352985-0001

(51) **LOC (13) Cl.** **16-01**

(52) **U.S. Cl.**
USPC **D16/203**

(58) **Field of Classification Search**
USPC D16/200, 202–205, 208, 218, 219, 242
CPC .. H04N 5/2251; H04N 5/2252; H04N 5/2253;
H04N 5/2254

See application file for complete search history.

(56) **References Cited**

U.S. PATENT DOCUMENTS

D217,153 S 4/1970 Adkins
D282,068 S 1/1986 Claggett

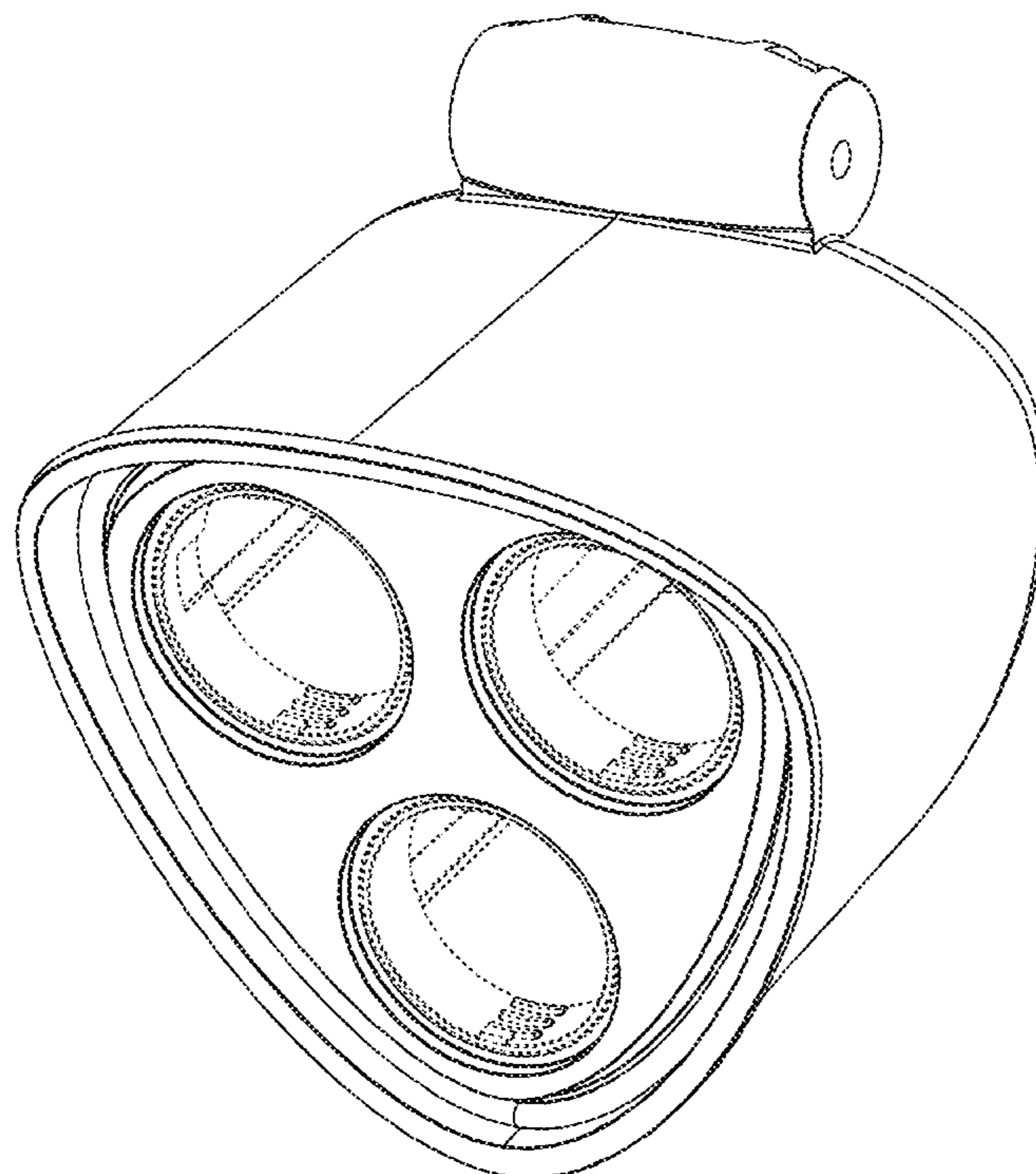
(57) **CLAIM**

I claim the ornamental design for a surveillance camera, as shown and described.

DESCRIPTION

FIG. 1 is a front perspective view of an embodiment of a surveillance camera, showing my new design;
FIG. 2 is front view thereof;
FIG. 3 is a back view thereof;
FIG. 4 is a left view thereof;
FIG. 5 is a right view thereof;
FIG. 6 is a top view thereof;
FIG. 7 is a bottom view thereof; and,
FIG. 8 is a back perspective view thereof.
The dashed lines shown in the drawings illustrate portions of a surveillance camera that form no part of the claimed design.

1 Claim, 8 Drawing Sheets



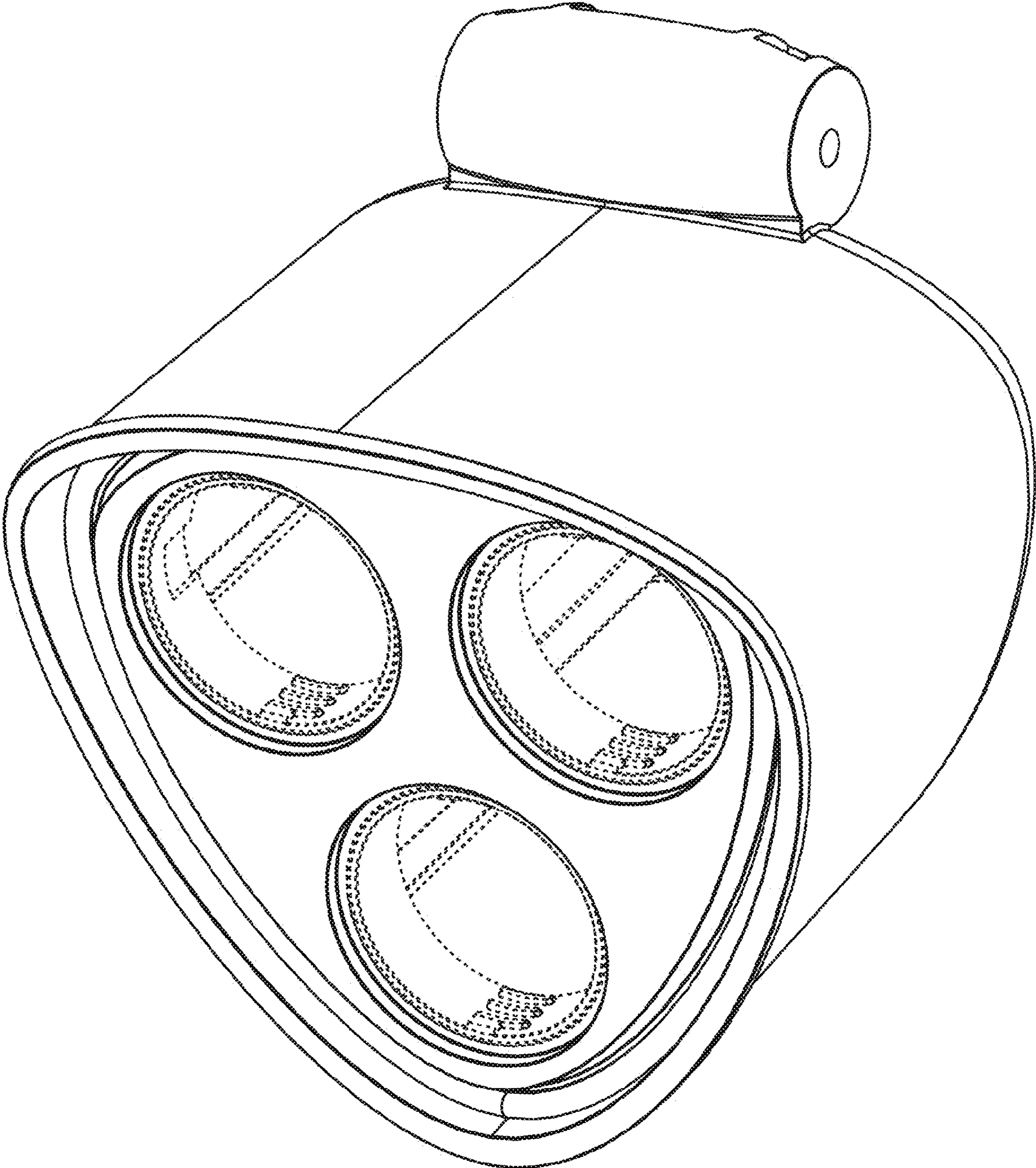


FIG. 1

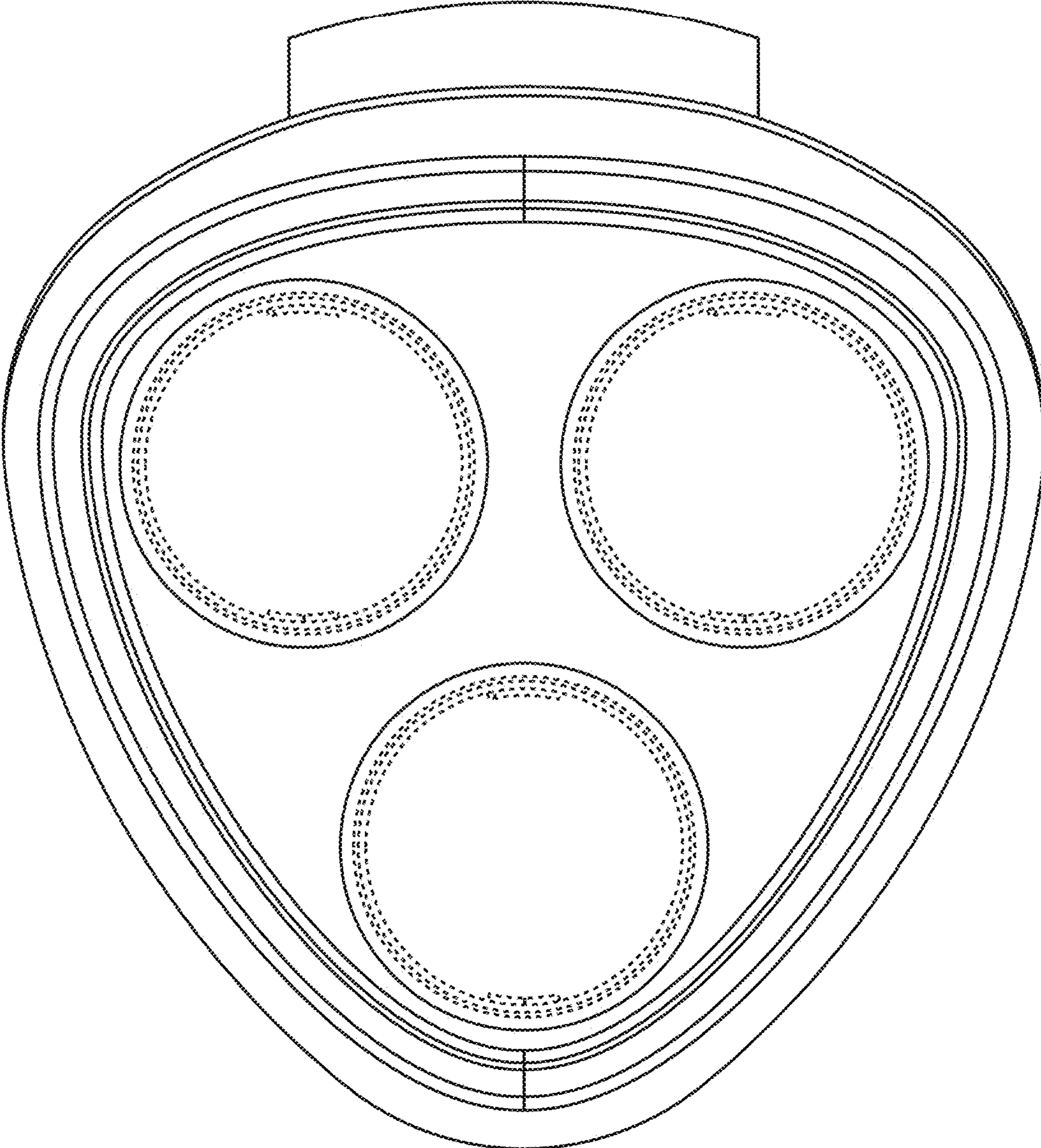


FIG. 2

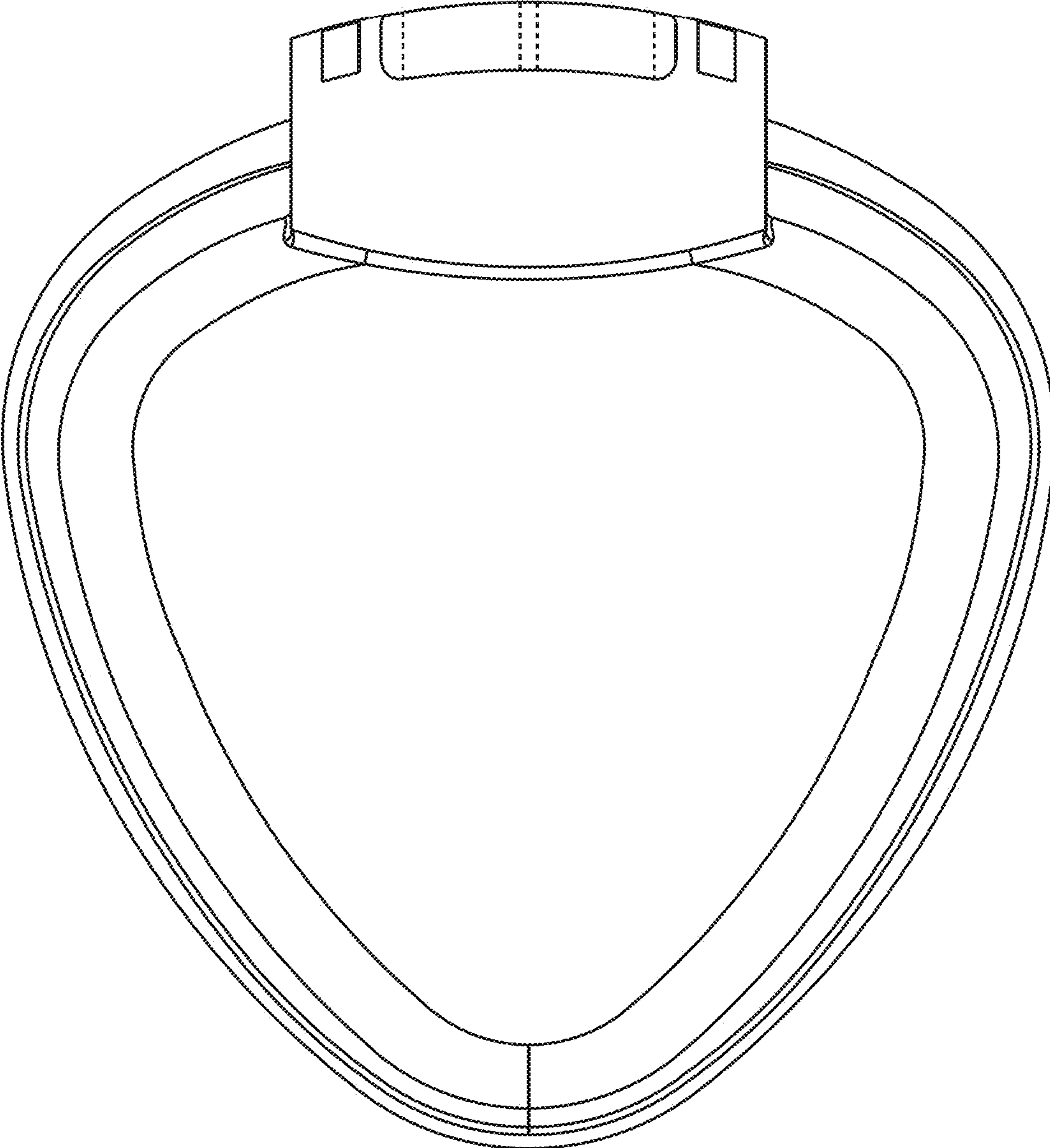


FIG. 3

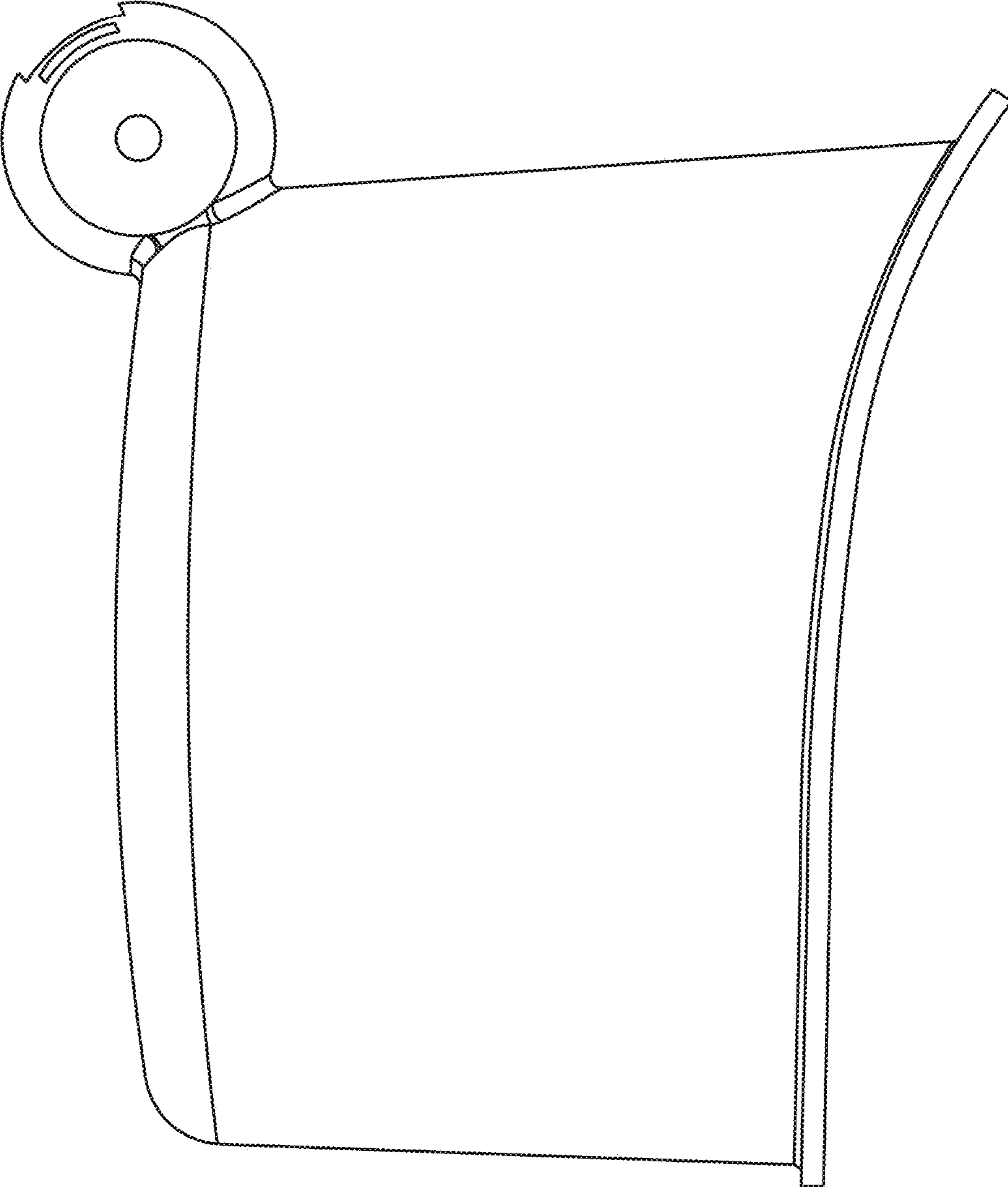


FIG. 4

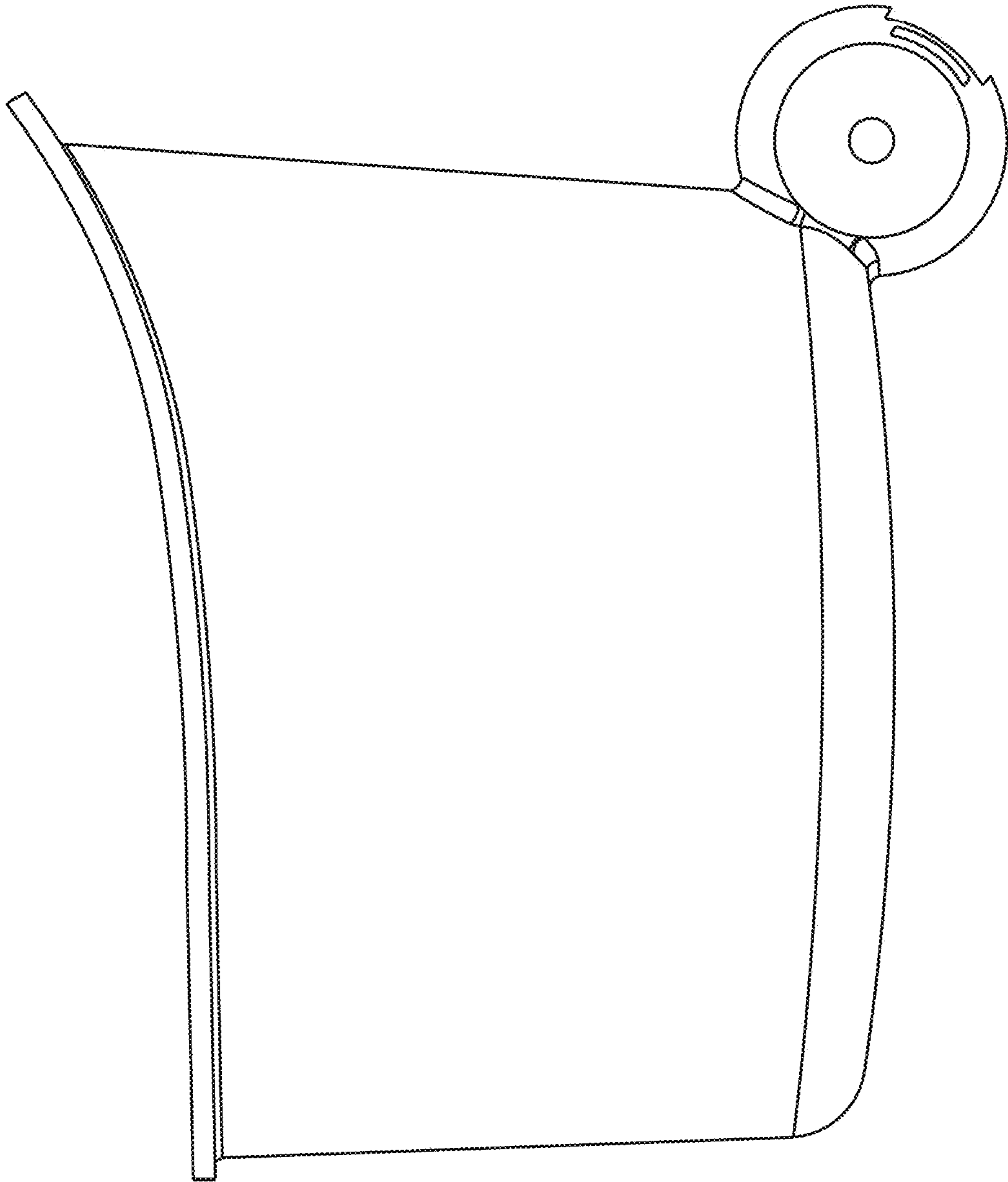


FIG. 5

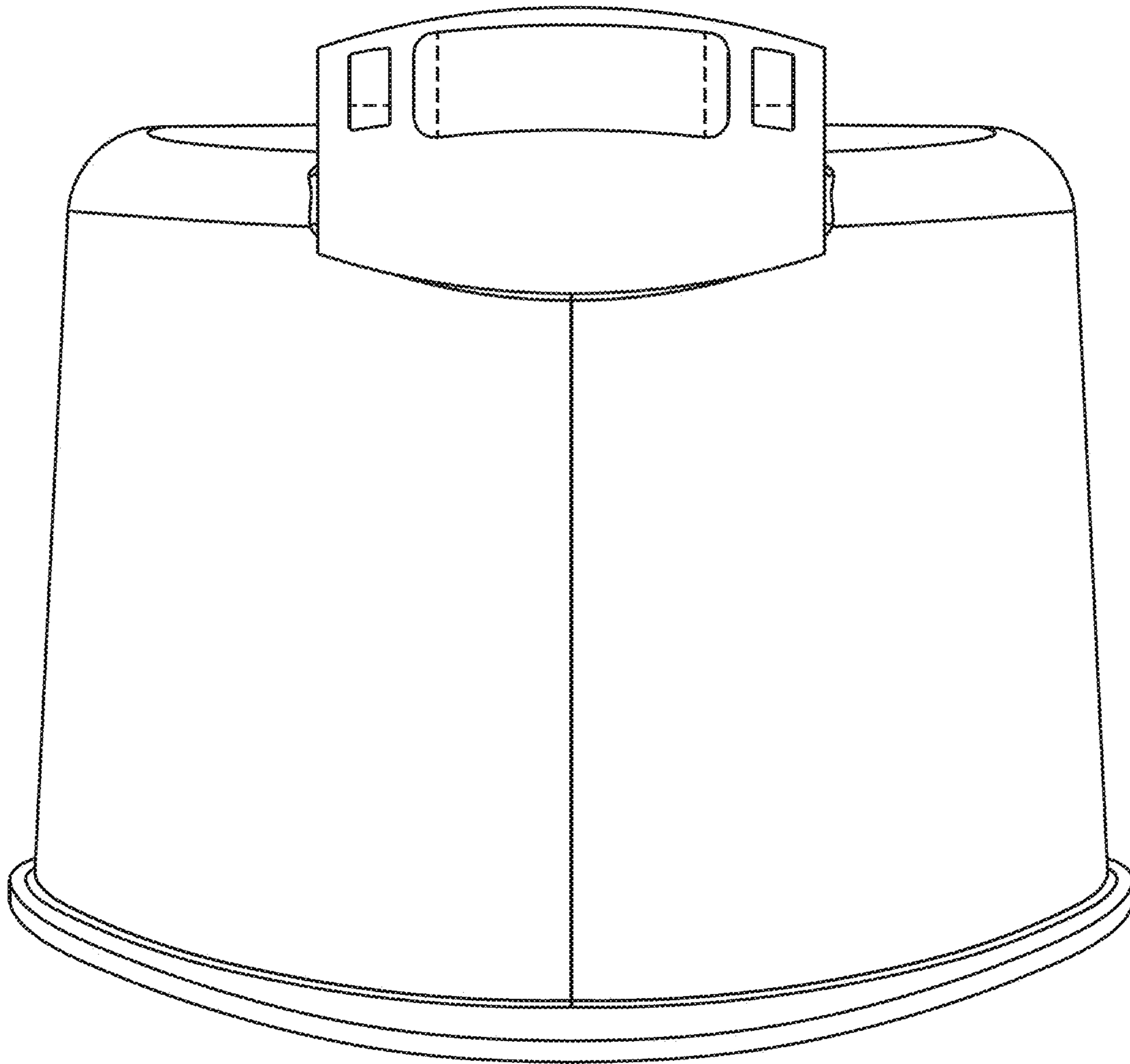


FIG. 6

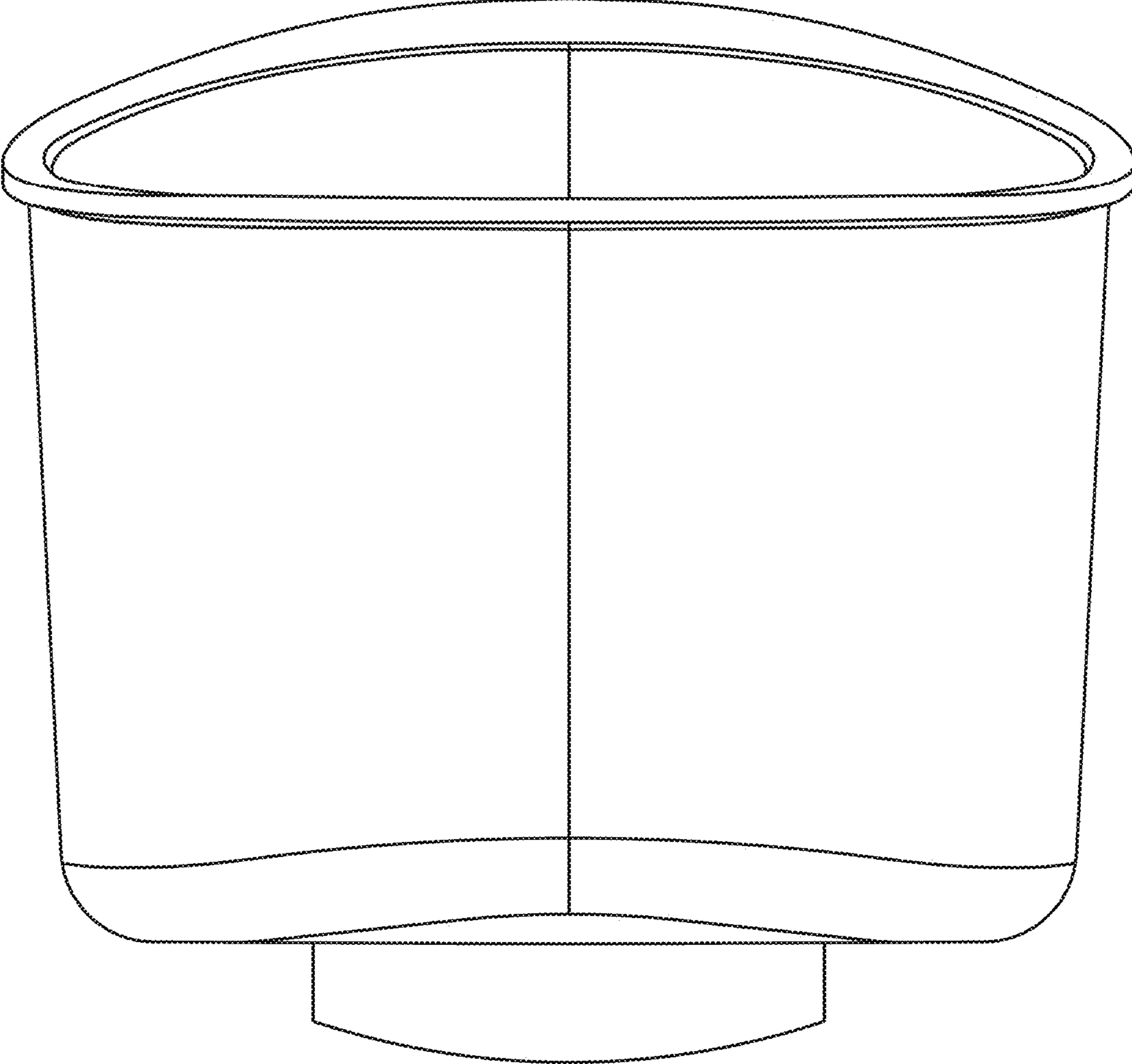


FIG. 7

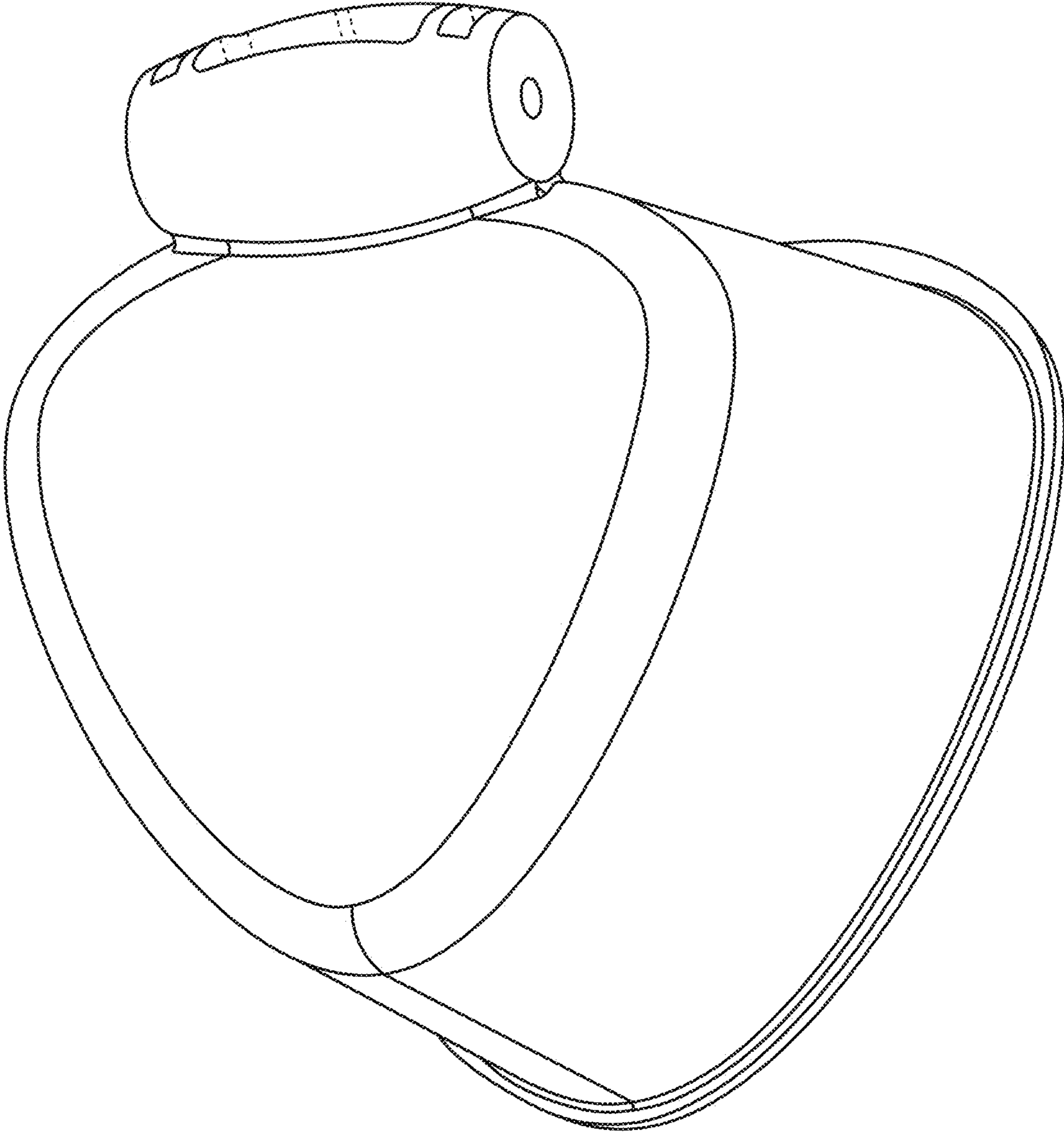


FIG. 8