



US00D965047S

(12) **United States Design Patent**  
**Wu**

(10) **Patent No.:** **US D965,047 S**  
(45) **Date of Patent:** **\*\* Sep. 27, 2022**

- (54) **CHILD CAMERA**
- (71) Applicant: **Shenzhen Xinqi Technology Co., Ltd.**,  
Shenzhen (CN)
- (72) Inventor: **Zewei Wu**, Shenzhen (CN)
- (73) Assignee: **Shenzhen Xinqi Technology Co., Ltd.**,  
Shenzhen (CN)

D910,105 S \* 2/2021 Lin ..... D16/202  
 D923,076 S 6/2021 Grant et al.  
 D934,939 S \* 11/2021 Ge ..... D16/217  
 (Continued)

- (\*\*) Term: **15 Years**
- (21) Appl. No.: **29/833,827**
- (22) Filed: **Apr. 7, 2022**
- (51) **LOC (13) Cl.** ..... **16-01**
- (52) **U.S. Cl.**  
USPC ..... **D16/200**
- (58) **Field of Classification Search**  
USPC ..... D16/200–204, 205–211, 217–219, 237;  
D21/329, 514  
CPC ..... G03B 15/03; G03B 15/05; G03B 17/02;  
G03B 9/00; G03B 2101/00; H04N 5/217;  
H04N 5/222; H04N 5/2251; H04N  
5/22525; H04N 5/232939; H04N 2101/00  
See application file for complete search history.

**FOREIGN PATENT DOCUMENTS**

CN 305343269 \* 9/2019  
 CN 305473180 \* 12/2019  
 CN 305596786 \* 2/2020

**OTHER PUBLICATIONS**

“Yoophane Upgrade Kids Selfie Camera, Christmas Birthday Gifts for Kids 6 7 8 9 10 Year Old Boys Girls, 2.4 Inch Digital Camera Toys for Kids 3-12 Year Old 1080P Video Recorder with Flash” from Amazon.com, first available Apr. 28, 2022 from the internet <<https://www.amazon.com/dp/B09Z2XZPQL/>> (Year: 2022).\*  
 (Continued)

*Primary Examiner* — Elizabeth J Oswecki  
*Assistant Examiner* — Lacey Chey Bowman  
 (74) *Attorney, Agent, or Firm* — Georgi Korobanov

(57) **CLAIM**

The ornamental design for a child camera, as shown and described.

**DESCRIPTION**

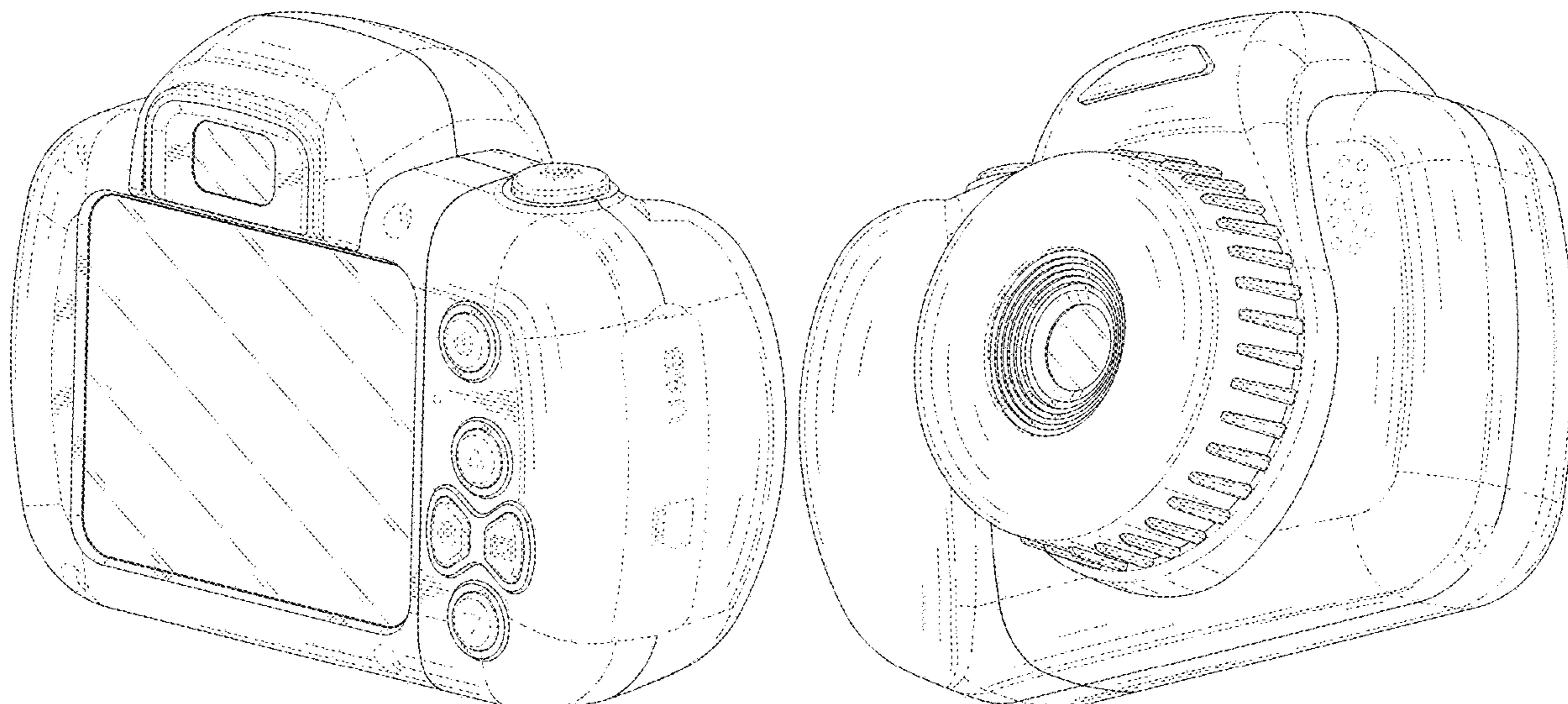
FIG. 1 is a perspective view of a child camera, showing my new design;  
 FIG. 2 is another perspective view thereof;  
 FIG. 3 is a front view thereof;  
 FIG. 4 is a rear view thereof;  
 FIG. 5 is a left side view thereof;  
 FIG. 6 is a right side view thereof;  
 FIG. 7 is a top plan view thereof; and,  
 FIG. 8 is a bottom plan view thereof.  
 The broken line showing of the child camera is for the purpose of illustrating portions of the article that form no part of the claimed design.

**1 Claim, 8 Drawing Sheets**

(56) **References Cited**

**U.S. PATENT DOCUMENTS**

D191,331 S \* 9/1961 Hennig et al. .... D16/209  
 3,245,333 A \* 4/1966 Eagle ..... G03B 7/003  
 396/65  
 D232,457 S \* 8/1974 Henderson et al. .... D21/514  
 D332,810 S \* 1/1993 Fujieda ..... D21/514  
 D394,869 S \* 6/1998 Reibl ..... 396/29  
 D400,225 S \* 10/1998 Reibl ..... D16/218  
 D451,117 S \* 11/2001 Huthmaker ..... D16/202  
 D487,485 S \* 3/2004 Niu ..... D21/514  
 D595,755 S \* 7/2009 Funakoshi ..... D16/202  
 D716,358 S \* 10/2014 Sakai ..... D16/202  
 D873,883 S 1/2020 Lin



(56)

**References Cited**

U.S. PATENT DOCUMENTS

D952,021 S \* 5/2022 Tian ..... D16/202  
2018/0183994 A1 \* 6/2018 Yoshida ..... G06F 3/0488

OTHER PUBLICATIONS

“Mini Portable Kids Camera 2.0in IPS Color Screen Children’s Digital Camera with Photo ,Video Function , HD 1080P Camera Children’s Camera with Neck Lanyard for Gift Pink” from Amazon.com, first available Jun. 27, 2019 from the internet <<https://www.amazon.com/fosa-Portable-Childrens-Digital-Function/dp/B07TLMT5KD/>> (Year: 2019).\*

\* cited by examiner

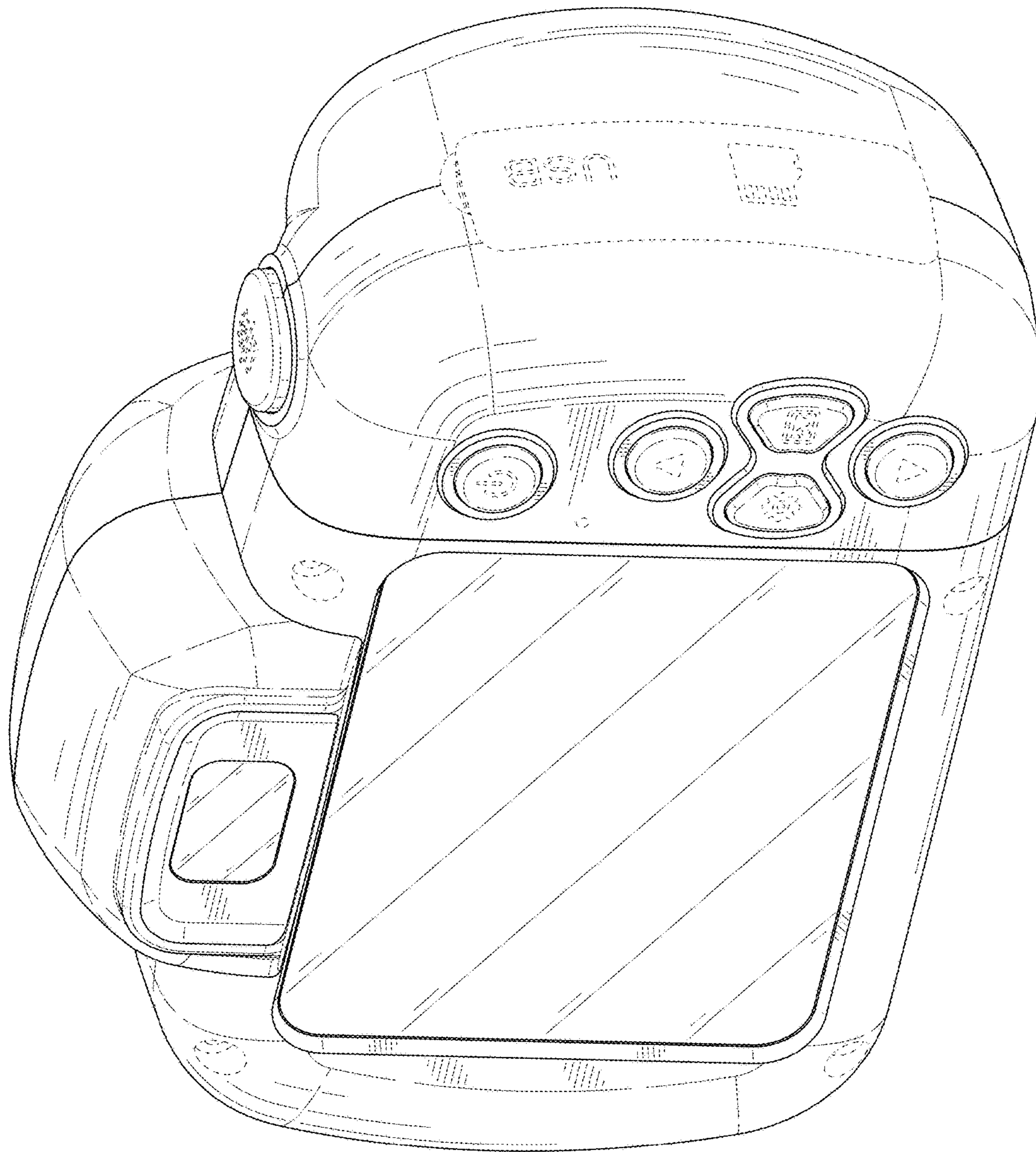


FIG. 1

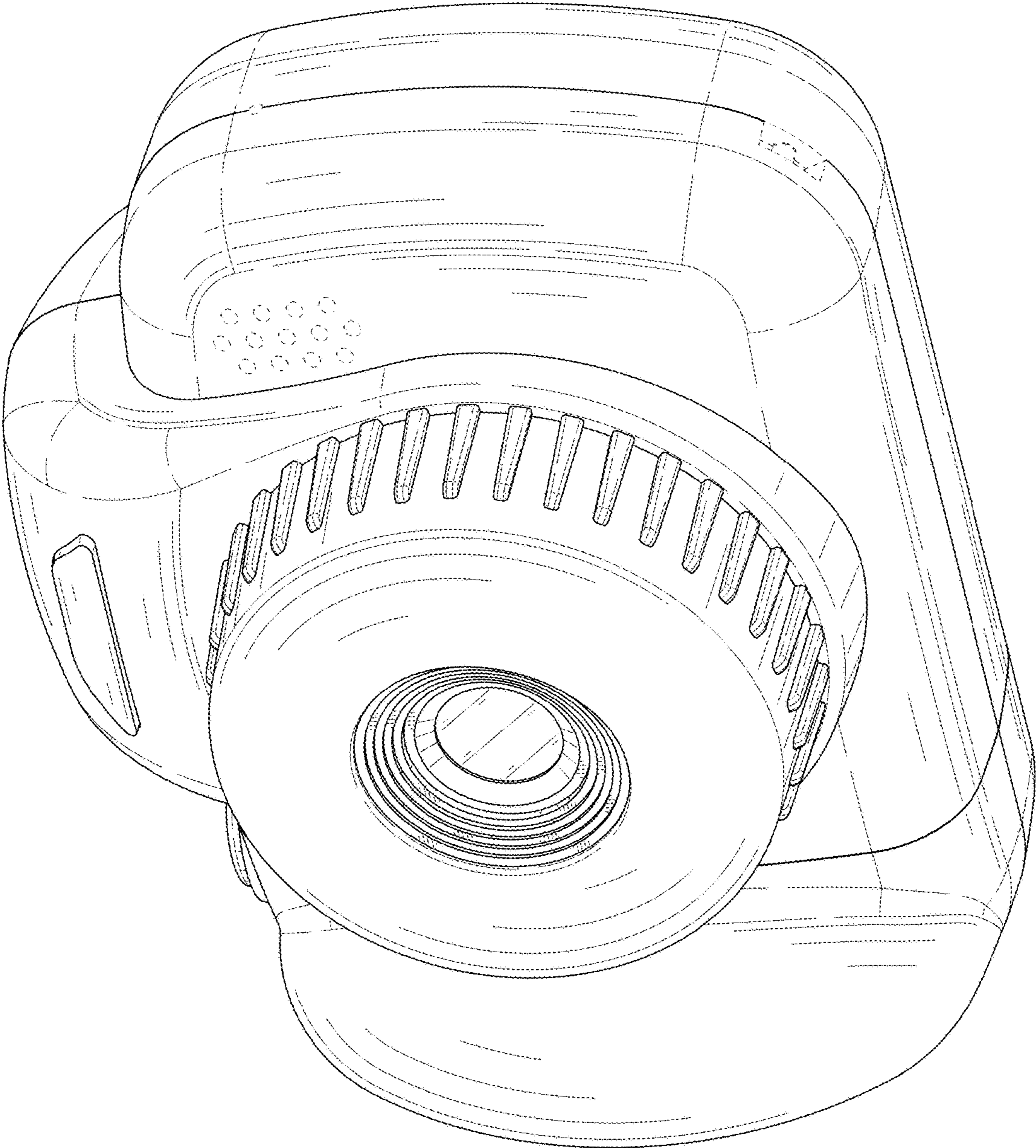


FIG. 2

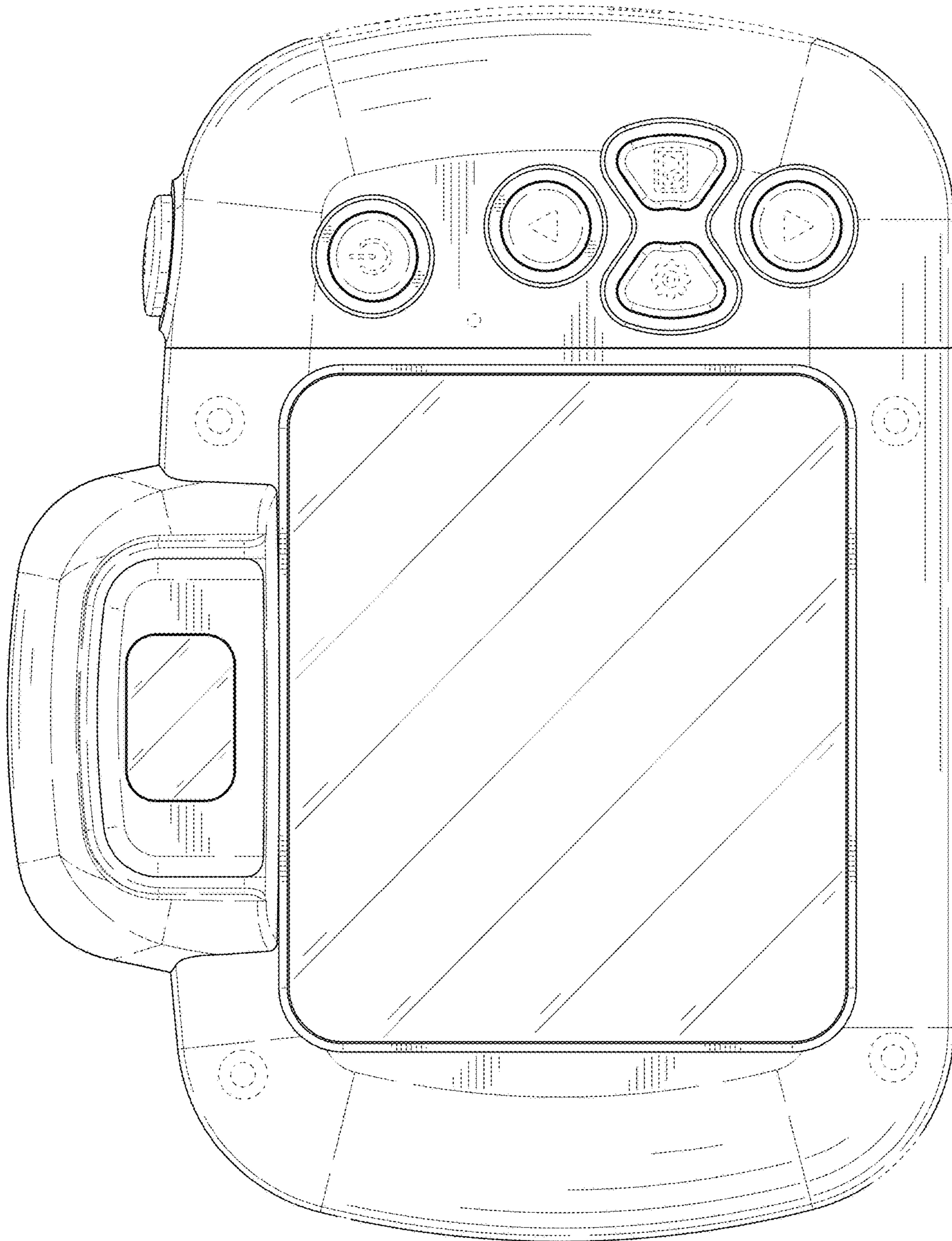


FIG. 3

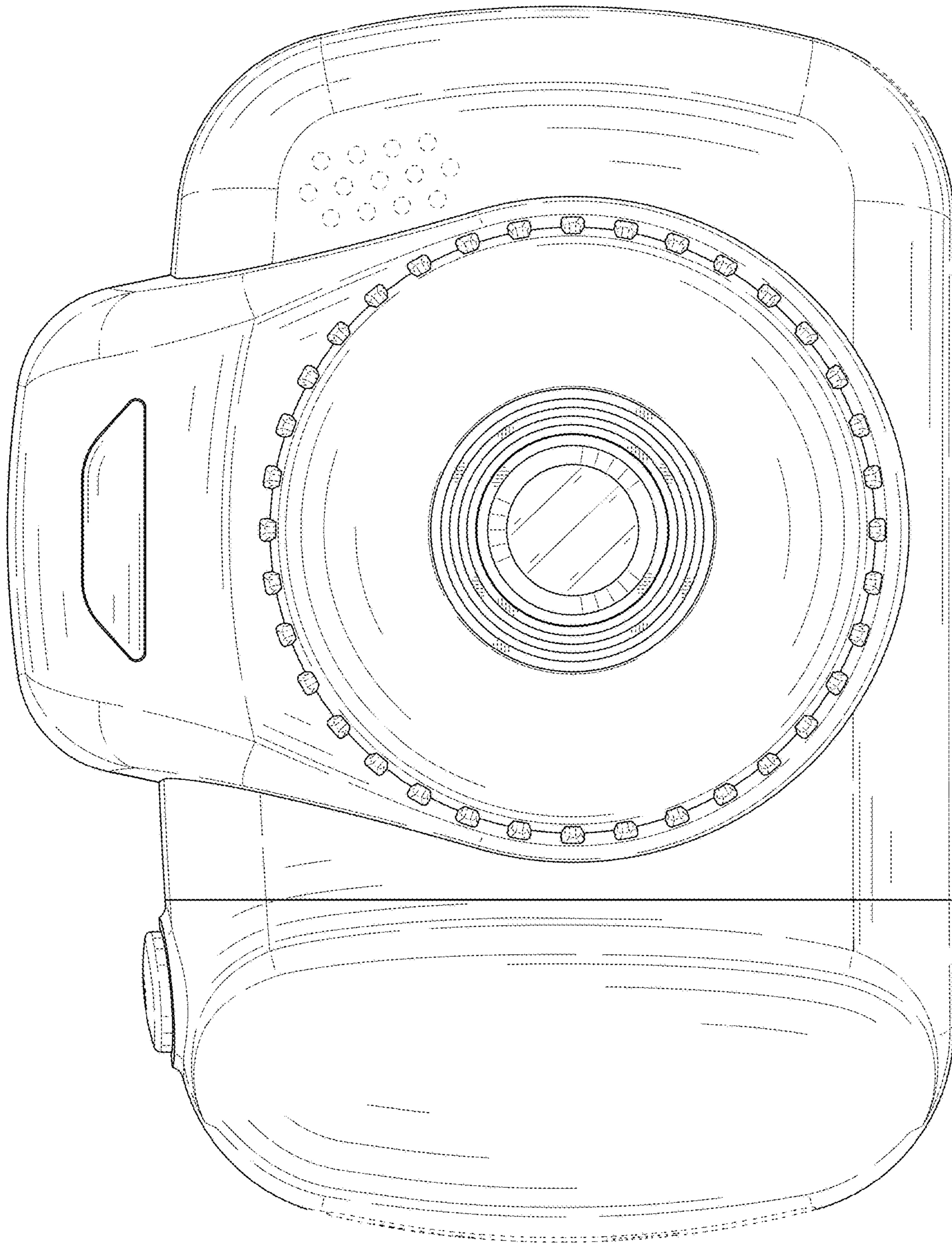


FIG. 4

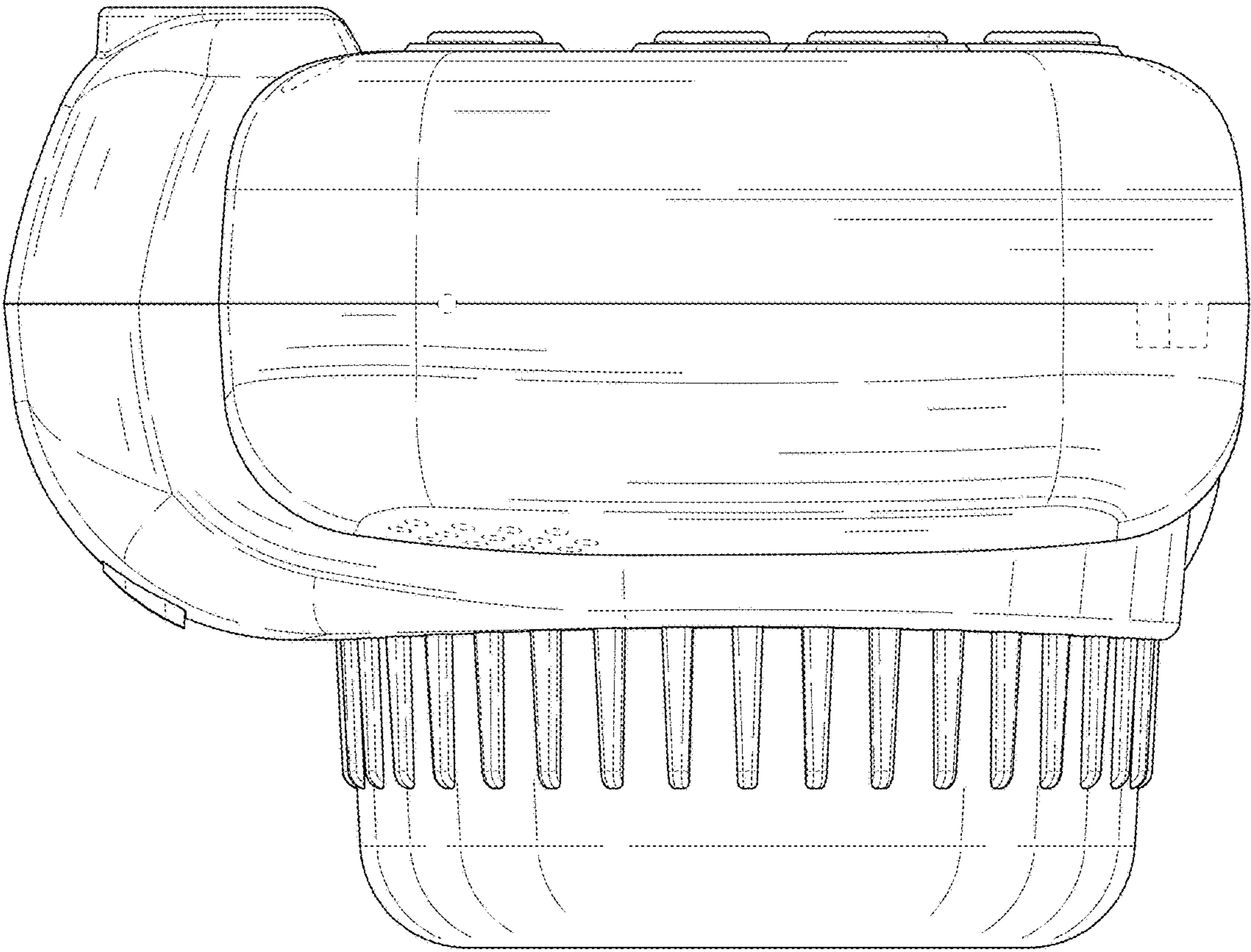


FIG. 5

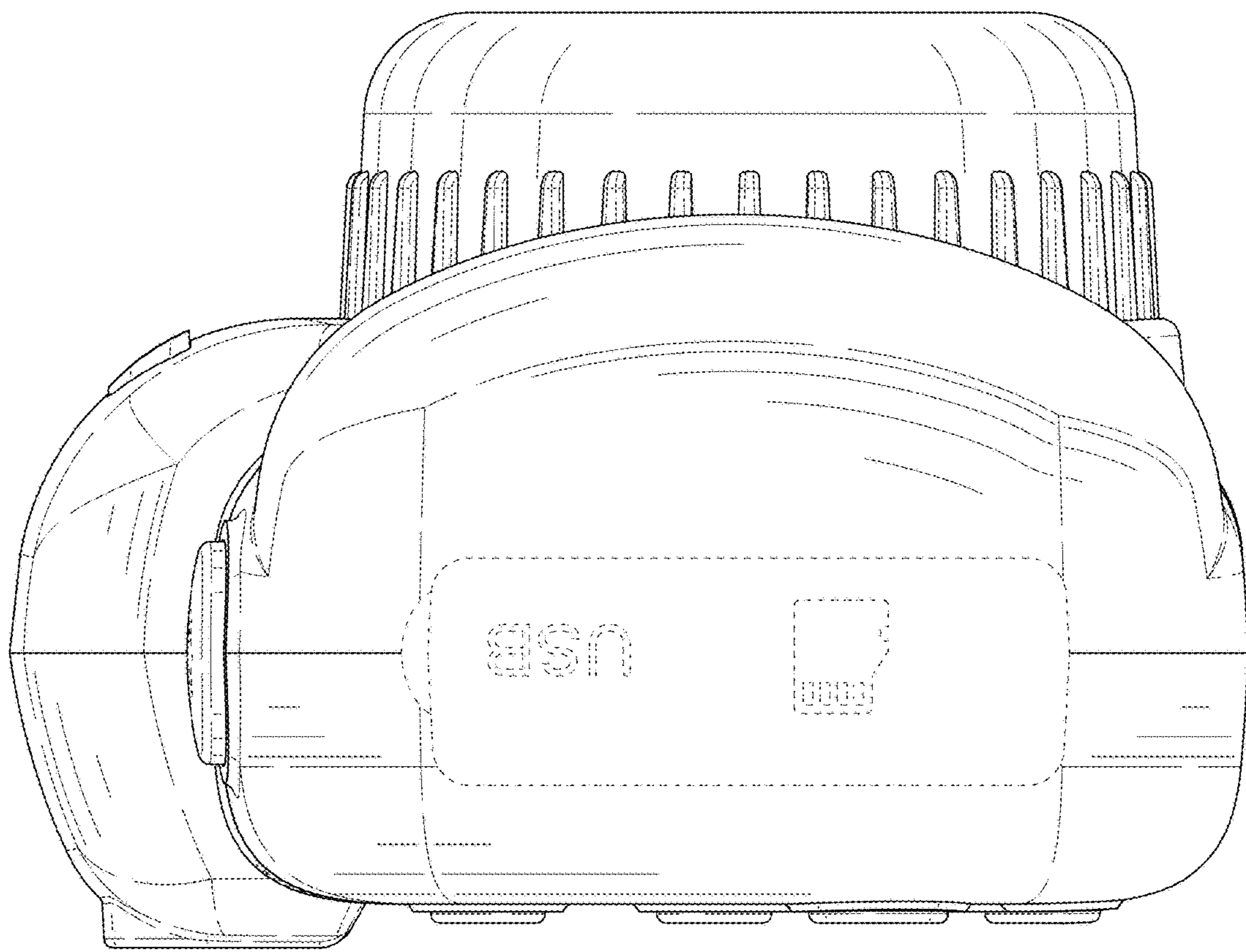


FIG. 6



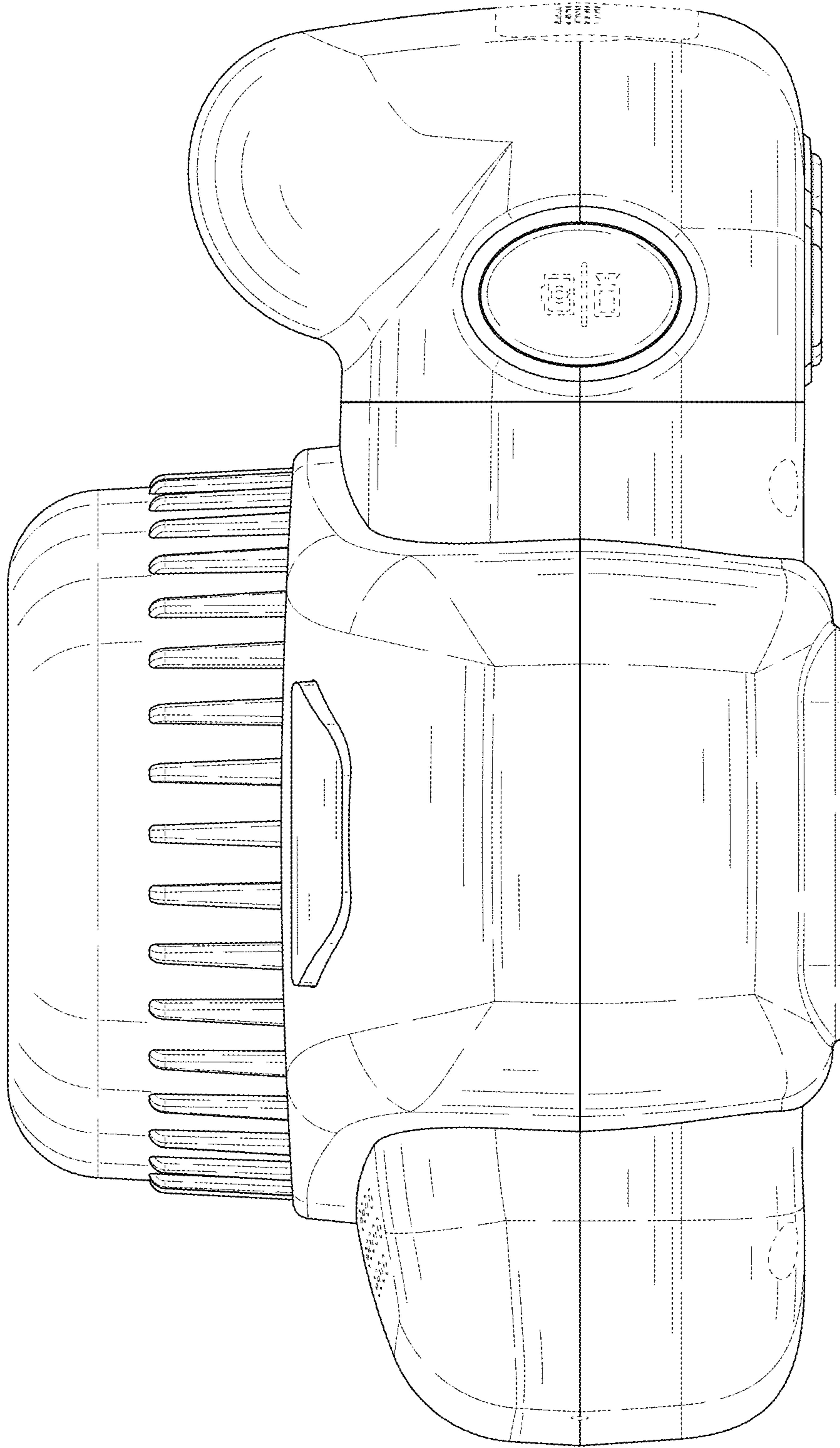


FIG. 7

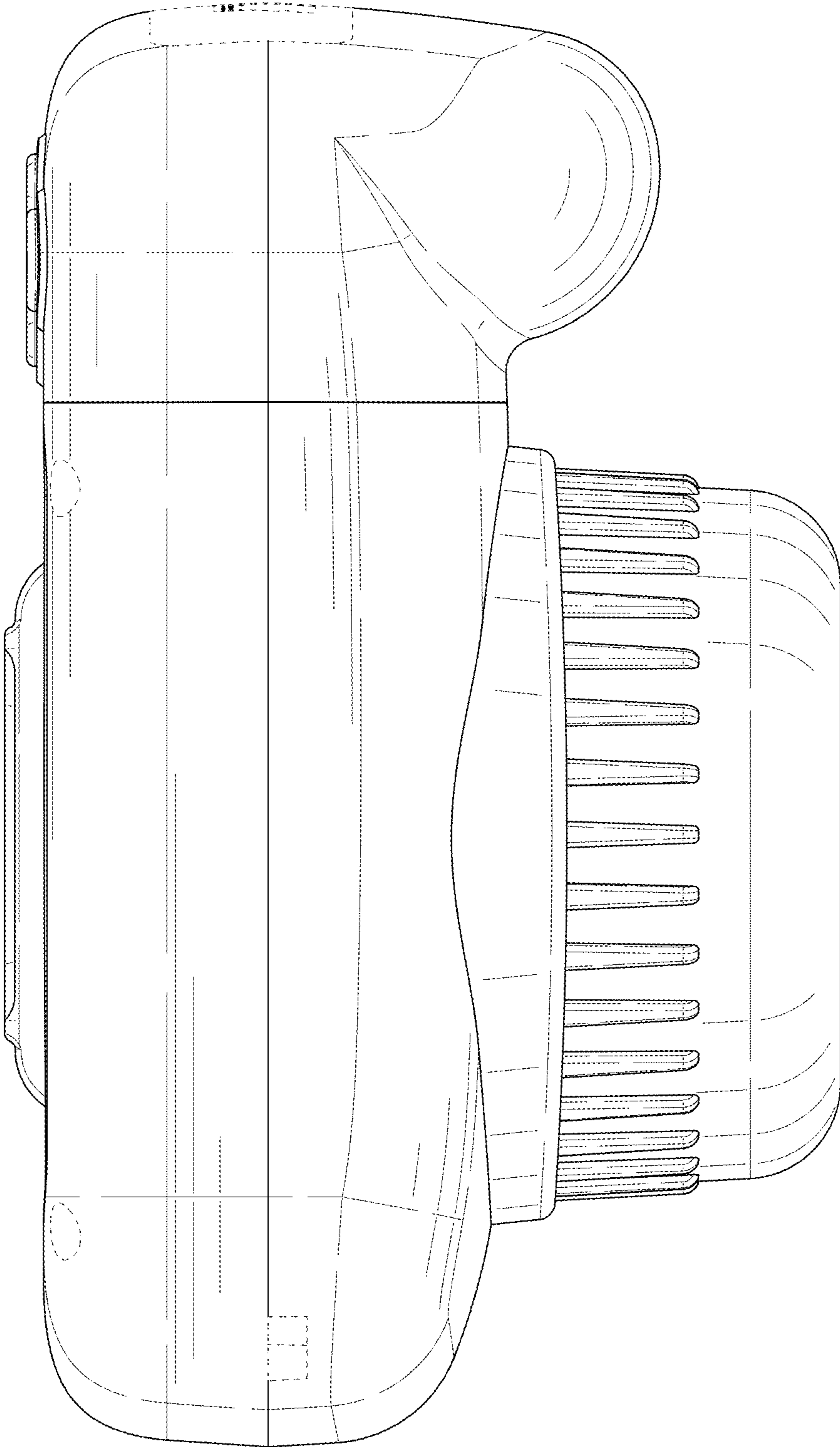


FIG. 8