



US00D965046S

(12) **United States Design Patent**  
**Zhu**

(10) **Patent No.:** **US D965,046 S**

(45) **Date of Patent:** **\*\* Sep. 27, 2022**

(54) **HANDHELD MAGNIFIER**

(71) Applicant: **Qin Zhu**, Jiangxi (CN)

(72) Inventor: **Qin Zhu**, Jiangxi (CN)

(\*\*) Term: **15 Years**

(21) Appl. No.: **29/823,998**

(22) Filed: **Jan. 21, 2022**

(51) **LOC (13) Cl.** ..... **16-06**

(52) **U.S. Cl.**  
USPC ..... **D16/135**

(58) **Field of Classification Search**  
USPC ..... D16/131, 134, 135, 136, 137, 219, 235,  
D16/237; D26/44, 51  
CPC ..... G02B 25/02; G02B 25/002; G02B 25/04  
See application file for complete search history.

(56) **References Cited**

**U.S. PATENT DOCUMENTS**

D298,634 S *	11/1988	Yuen	.....	D26/44
D663,339 S *	7/2012	Farenski	.....	D16/135
D709,937 S *	7/2014	Goldenberg	.....	D16/211
D781,947 S *	3/2017	Huang	.....	D16/135
D916,168 S *	4/2021	Lin	.....	D16/208
11,333,877 B1 *	5/2022	Su	.....	G02B 25/002

\* cited by examiner

*Primary Examiner* — Richard Kearney

*Assistant Examiner* — Benjamin M Weeks

(74) *Attorney, Agent, or Firm* — Che-Yang Chen; Law Office of Michael Chen

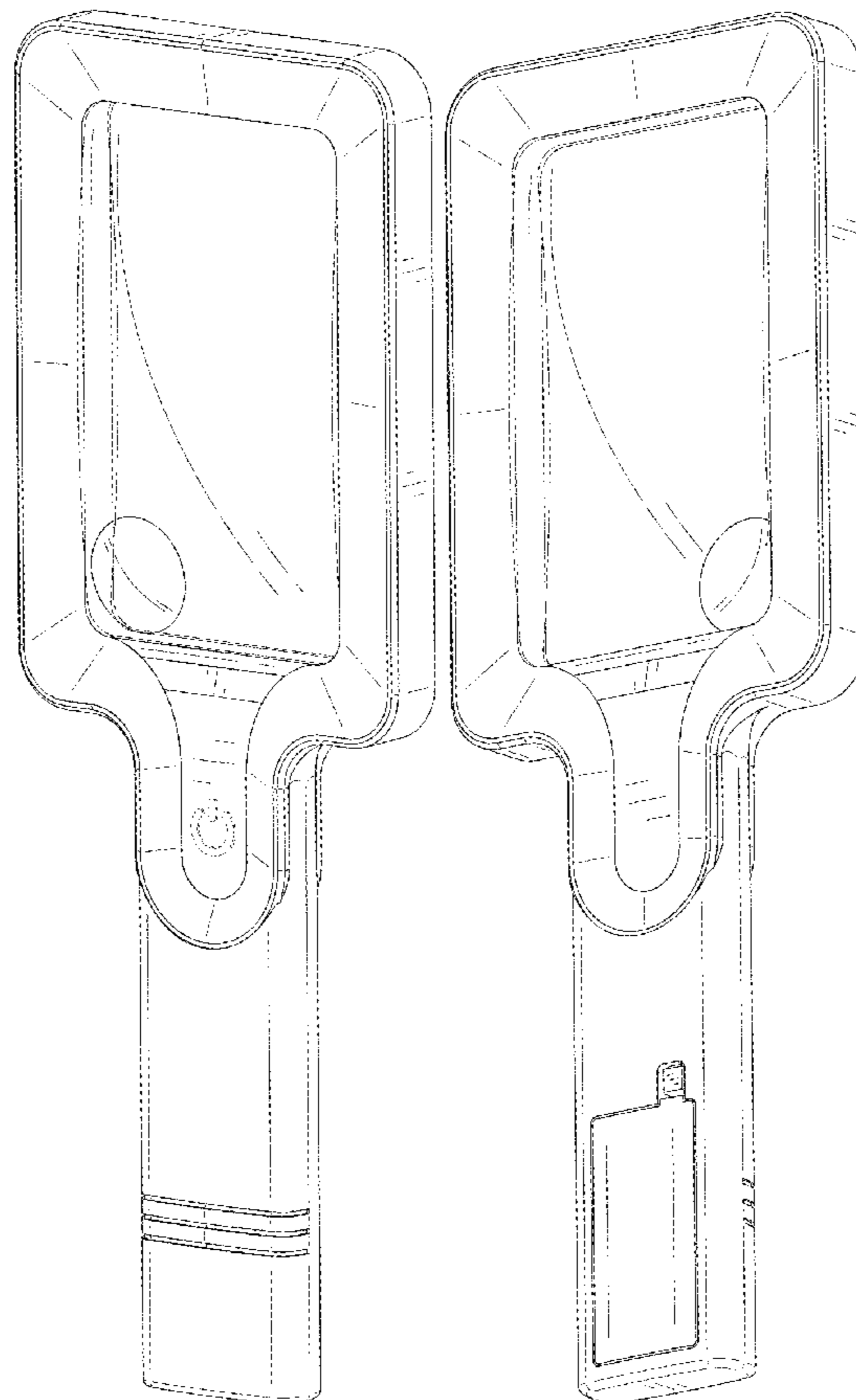
(57) **CLAIM**

The ornamental design for a handheld magnifier, as shown and described.

**DESCRIPTION**

FIG. 1 is a perspective view of the handheld magnifier showing my new design; FIG. 2 is a perspective view thereof from another angle; FIG. 3 is a front elevational view thereof; FIG. 4 is a rear elevational view thereof; FIG. 5 is a left side elevational view thereof; FIG. 6 is a right side elevational view thereof; FIG. 7 is a top plan view thereof; and, FIG. 8 is a bottom plan view thereof. The broken lines depict portions of the handheld magnifier that form no part of the claimed design.

**1 Claim, 8 Drawing Sheets**



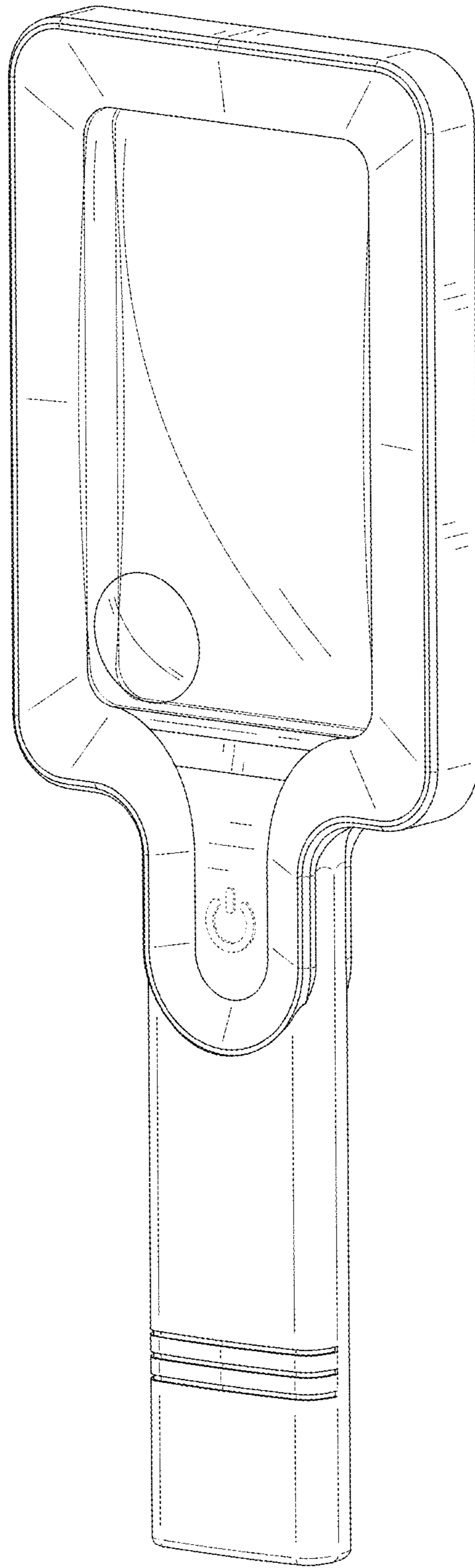


FIG. 1

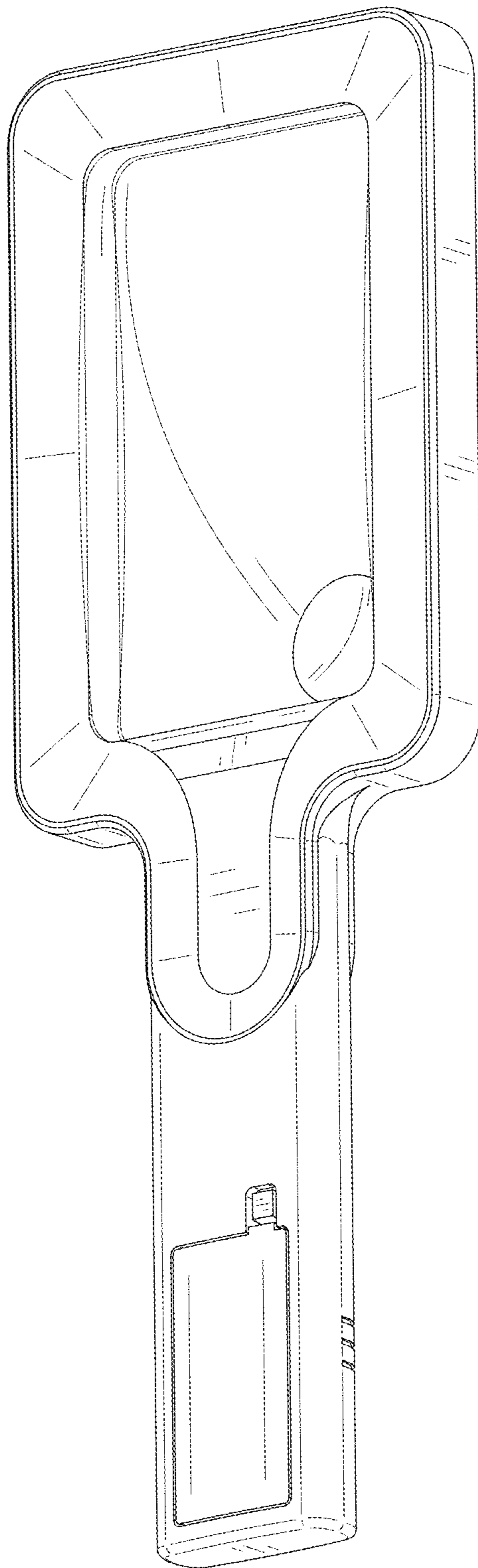


FIG. 2

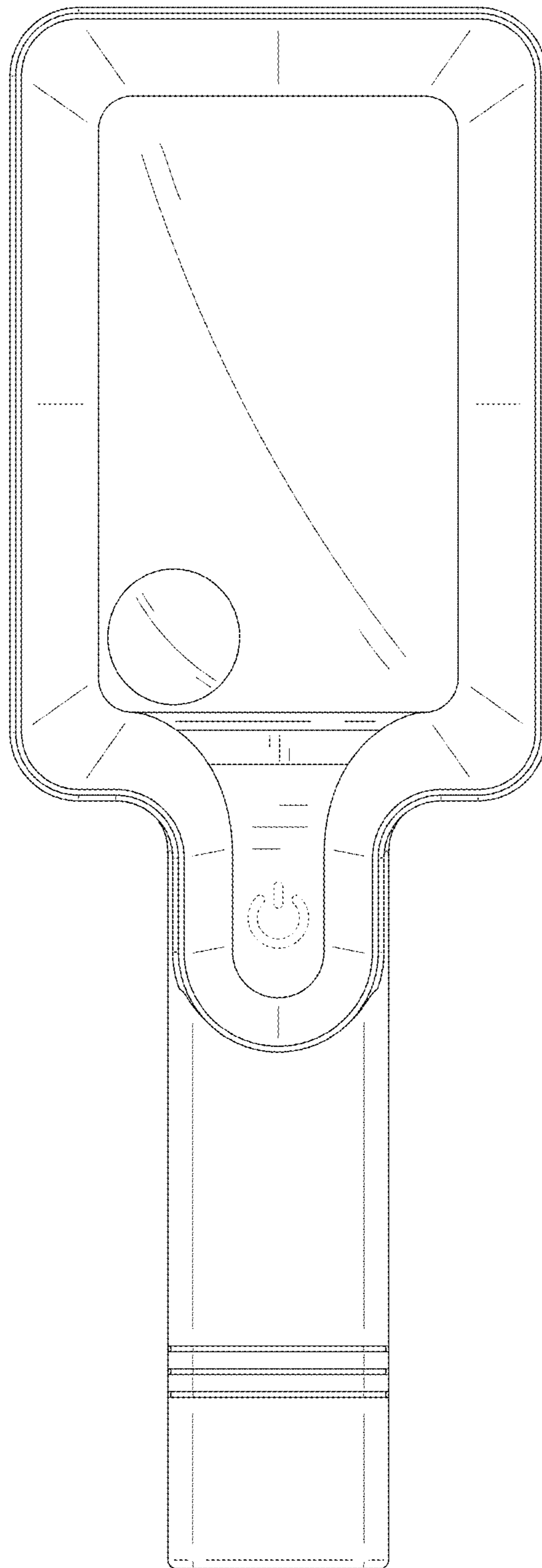


FIG. 3

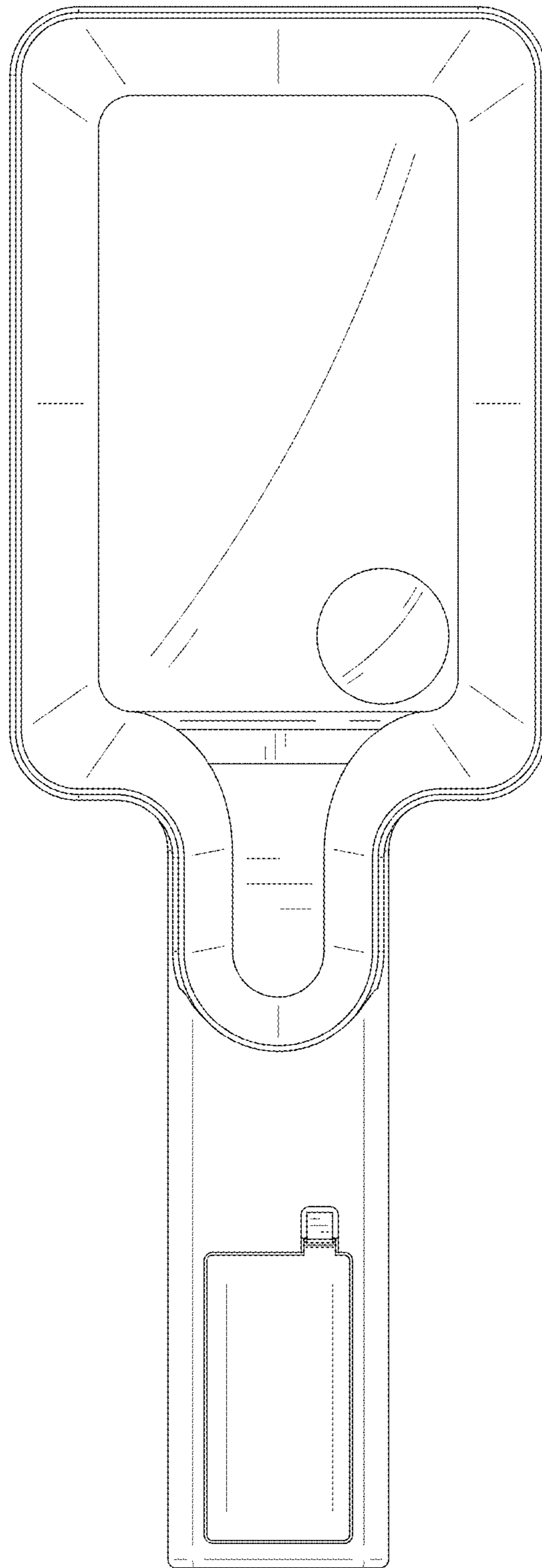


FIG. 4

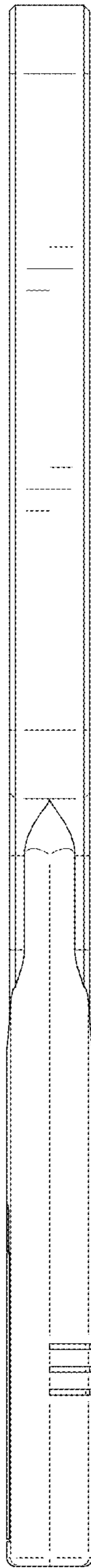


FIG. 5

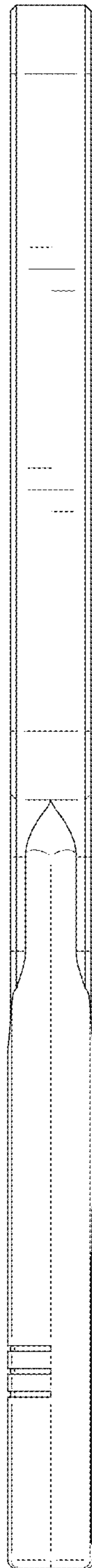


FIG. 6

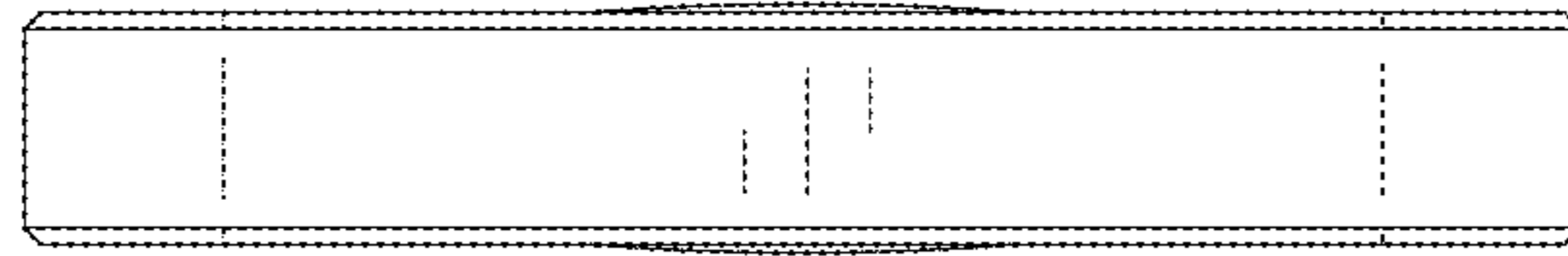


FIG. 7



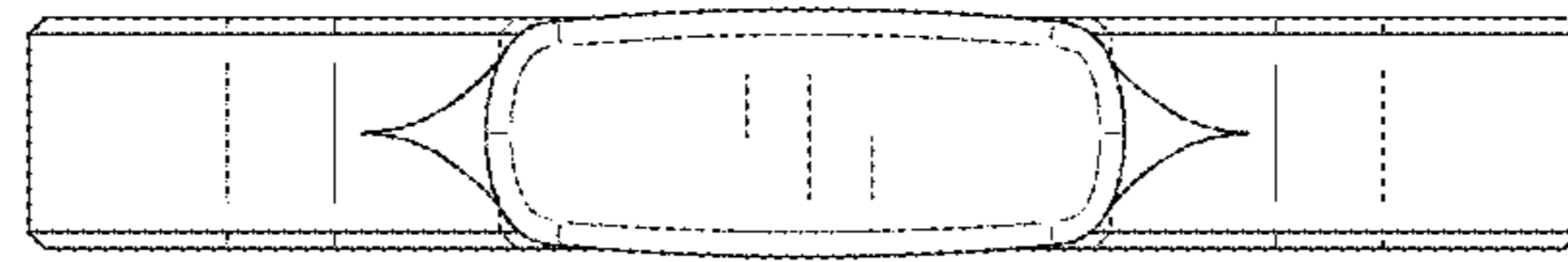


FIG. 8