



US00D965045S

(12) **United States Design Patent**
Whitehouse et al.

(10) **Patent No.:** **US D965,045 S**

(45) **Date of Patent:** **** Sep. 27, 2022**

(54) **DRIP SHIELD FOR VEHICLE STORAGE COMPARTMENT**

(71) Applicant: **Innomotive Solutions Group Inc.**,
Burlington (CA)

(72) Inventors: **Bruce Whitehouse**, Milton (CA);
Jaimin Shah, Brampton (CA); **Martin Conte**, Hamilton (CA)

(73) Assignee: **INNOMOTIVE SOLUTIONS GROUP INC.**, Burlington (CA)

(**) Term: **15 Years**

(21) Appl. No.: **29/757,877**

(22) Filed: **Nov. 10, 2020**

(51) **LOC (13) Cl.** **09-09**

(52) **U.S. Cl.**
USPC **D15/152; D12/425**

(58) **Field of Classification Search**
USPC ... D12/1, 13–15, 400, 410, 412, 414, 414.1,
D12/415, 423–426
CPC B60Q 1/0035
See application file for complete search history.

(56) **References Cited**

U.S. PATENT DOCUMENTS

D211,332 S	*	6/1968	Norvold	D15/152
D237,404 S	*	10/1975	Trapold	D32/29
D329,999 S	*	10/1992	Vourakes	D12/169
D376,578 S	*	12/1996	Redford	D12/424
D450,644 S	*	11/2001	Farkash	D12/203

(Continued)

Primary Examiner — Michael C Stout
Assistant Examiner — Fitzgerald L Butac

(74) *Attorney, Agent, or Firm* — Husch Blackwell LLP

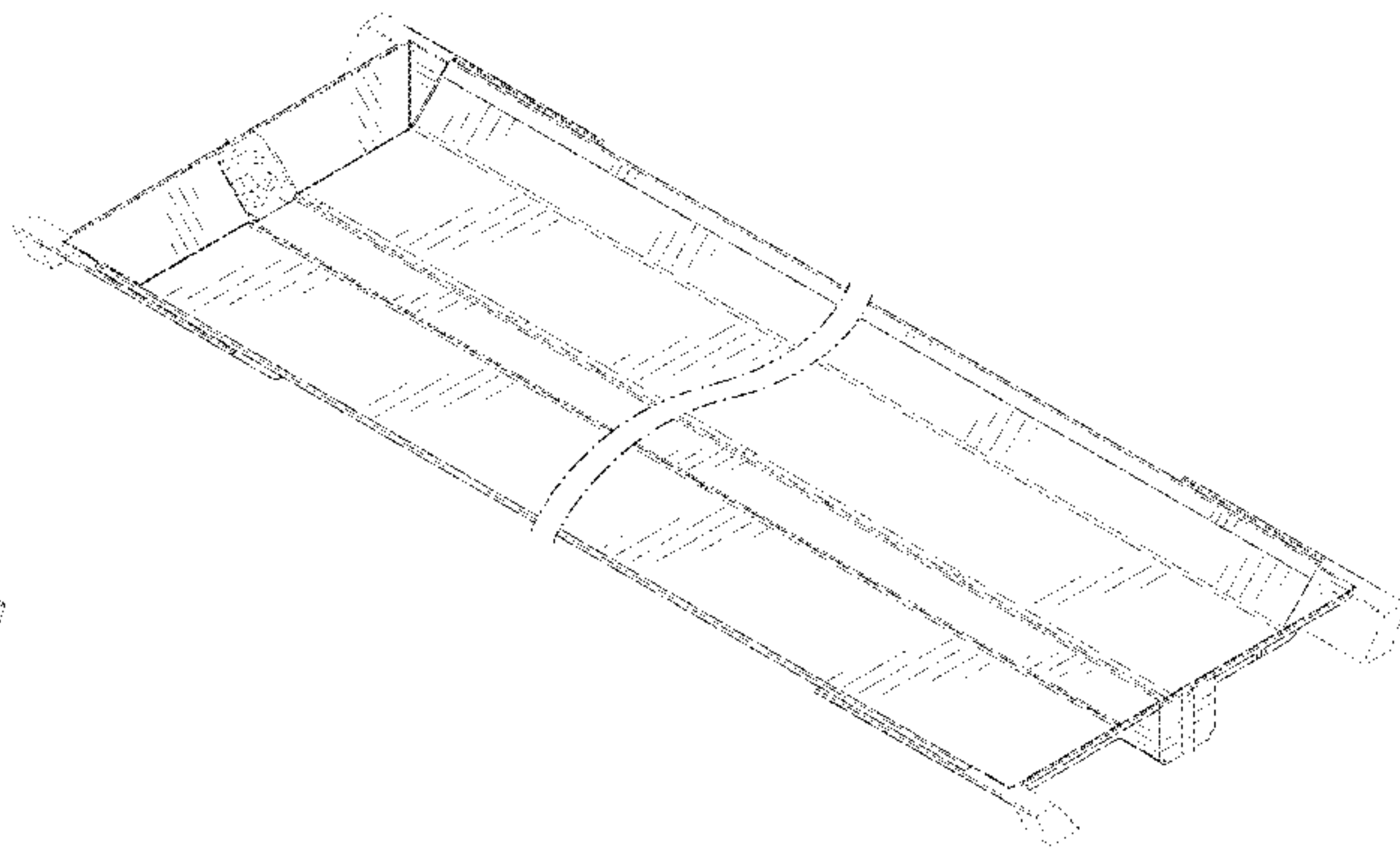
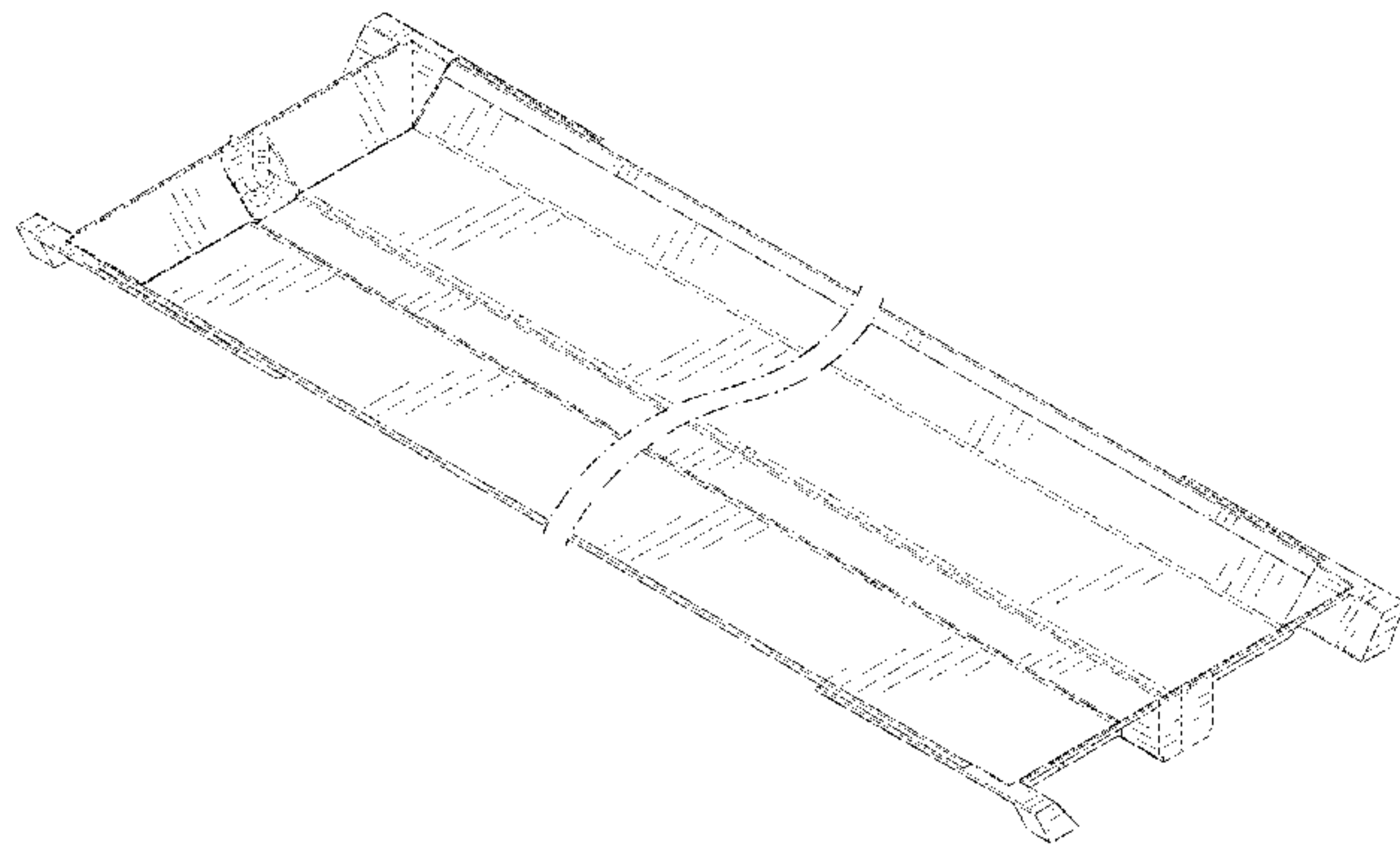
(57) **CLAIM**

The ornamental design for a drip shield for a vehicle storage compartment, as shown and described.

DESCRIPTION

FIG. 1 is a top perspective view of a first embodiment of a drip shield for a vehicle storage compartment;
FIG. 2 is a bottom perspective view of the drip shield of FIG. 1;
FIG. 3 is a first side elevation view of the drip shield of FIG. 1;
FIG. 4 is a first end elevation view of the drip shield of FIG. 1;
FIG. 5 is a second side elevation view of the drip shield of FIG. 1;
FIG. 6 is a second end elevation view of the drip shield of FIG. 1;
FIG. 7 is a top plan view of the drip shield of FIG. 1;
FIG. 8 is a bottom plan view of the drip shield of FIG. 1;
FIG. 9 is a top perspective view of a second embodiment of a drip shield for a vehicle storage compartment;
FIG. 10 is a bottom perspective view of the drip shield of FIG. 9;
FIG. 11 is a first side elevation view of the drip shield of FIG. 9;
FIG. 12 is a first end elevation view of the drip shield of FIG. 9;
FIG. 13 is a second side elevation view of the drip shield of FIG. 9;
FIG. 14 is a second end elevation view of the drip shield of FIG. 9;
FIG. 15 is a top plan view of the drip shield of FIG. 9; and,
FIG. 16 is a bottom plan view of the drip shield of FIG. 9.
The broken lines show portions of a drip shield for a vehicle storage compartment, which form no part of the claimed design. The parallel “dash-dot” broken lines show a symbolic break in the claimed design. Anything that appears between the “dash-dot” parallel lines forms no part of the claimed design.

1 Claim, 10 Drawing Sheets



(56)

References Cited

U.S. PATENT DOCUMENTS

D466,074	S	*	11/2002	Hoy	D12/426
D480,333	S	*	10/2003	Allison	D12/15
D636,327	S	*	4/2011	Miculka	D12/414
D678,167	S	*	3/2013	Frost	D12/223
D740,059	S	*	10/2015	Gaffey	D6/667
D758,282	S	*	6/2016	Miller	D12/400
D765,014	S	*	8/2016	Roach	D12/414.1
D807,265	S	*	1/2018	McNutt	D12/190
D840,914	S	*	2/2019	Badillo	D12/412
D840,915	S	*	2/2019	Badillo	D12/412
10,598,332	B1	*	3/2020	Elwell	B60Q 1/0041
D912,606	S	*	3/2021	Chen	D12/412
D916,647	S	*	4/2021	Chen	D12/425
D929,307	S	*	8/2021	Brown	D12/414
11,214,132	B1	*	1/2022	Whitehouse	B60J 5/08

* cited by examiner

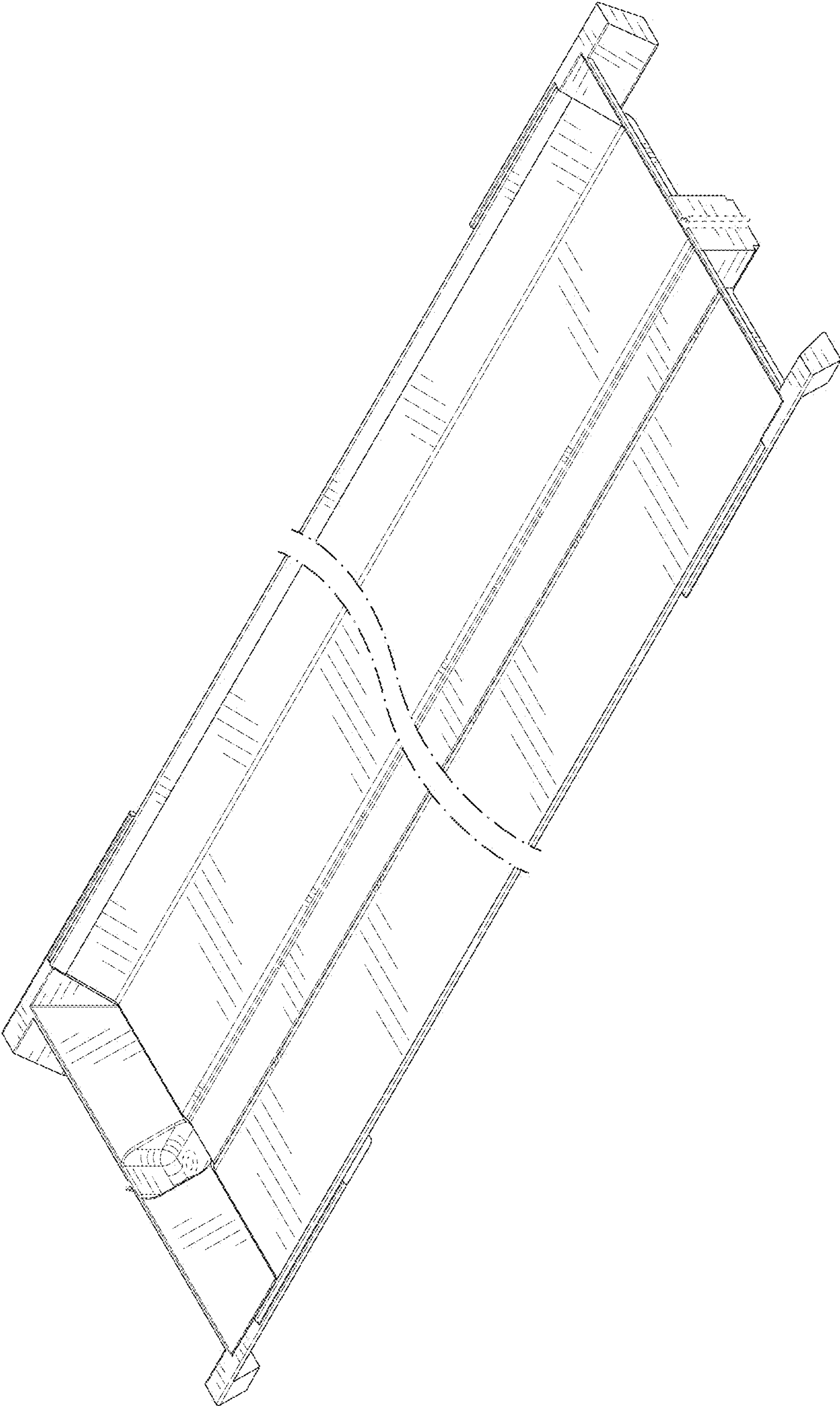


FIG. 1

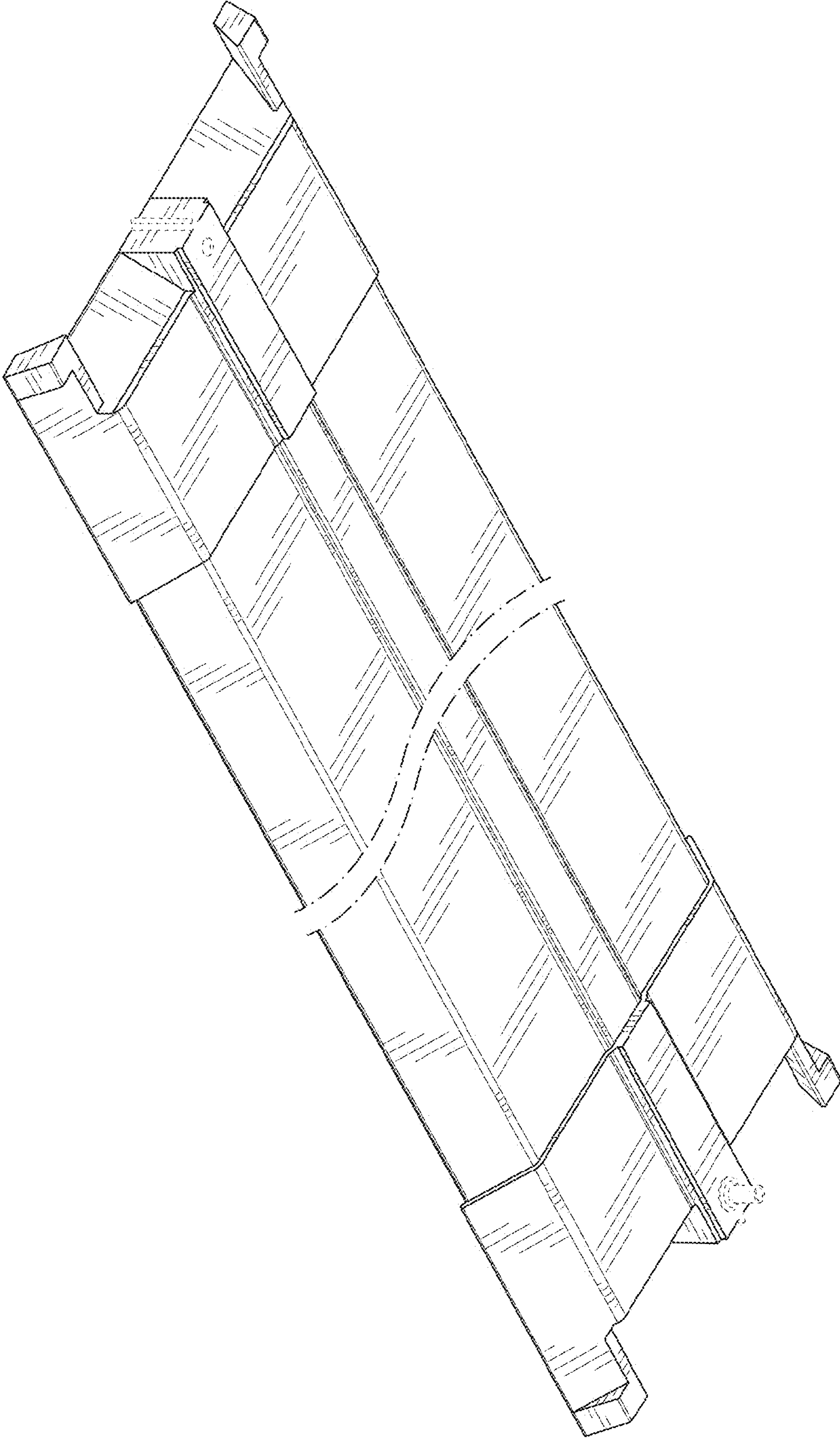


FIG. 2

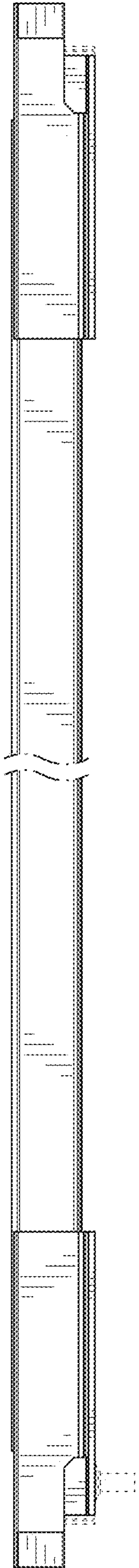


FIG. 3

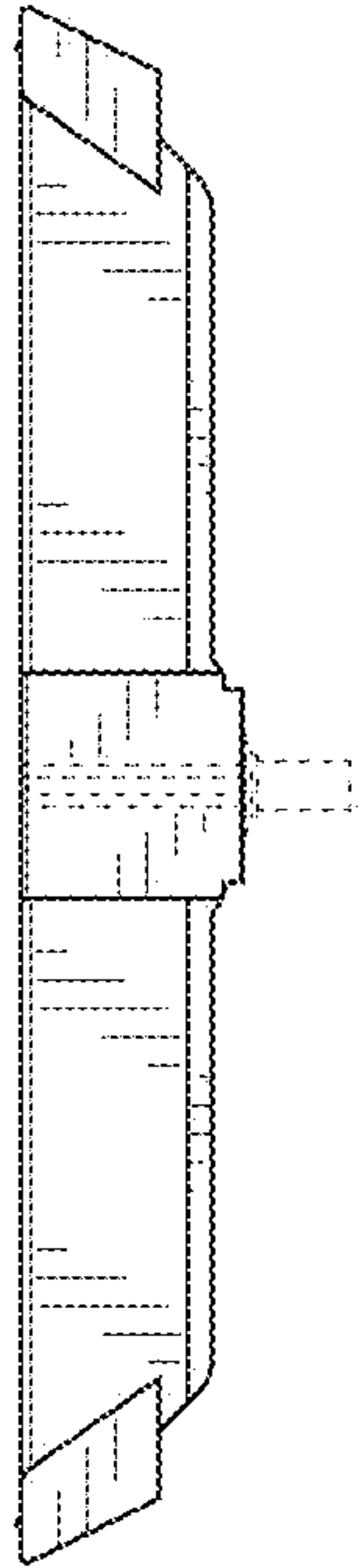


FIG. 4

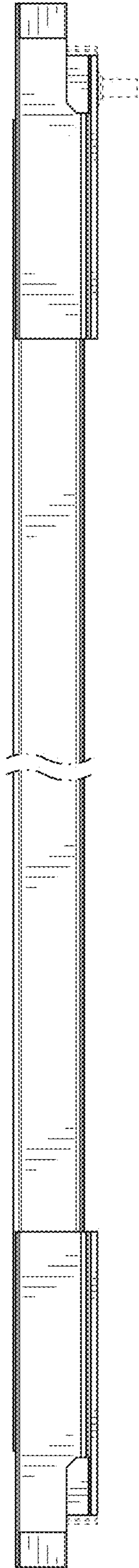


FIG. 5

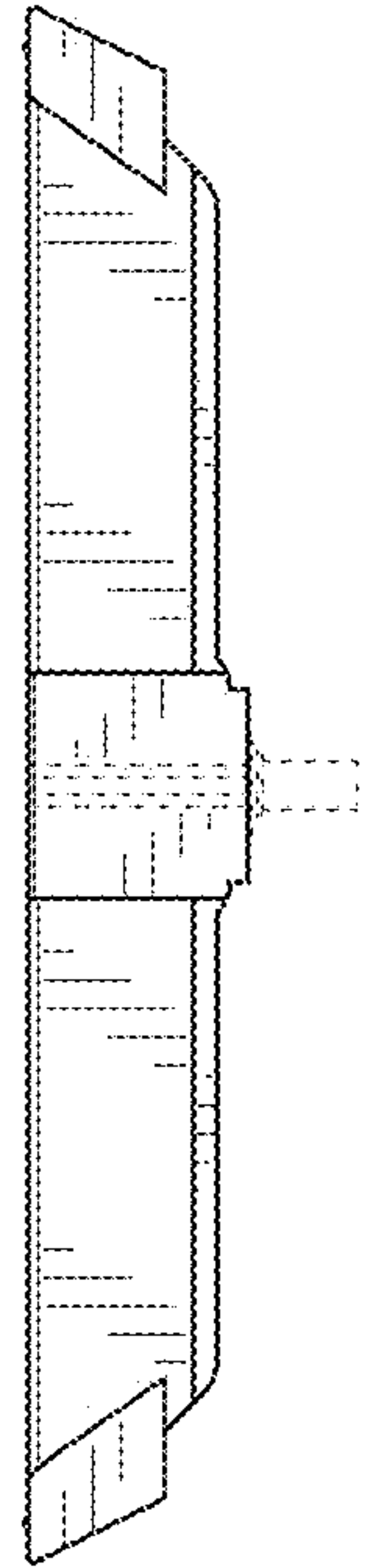


FIG. 6

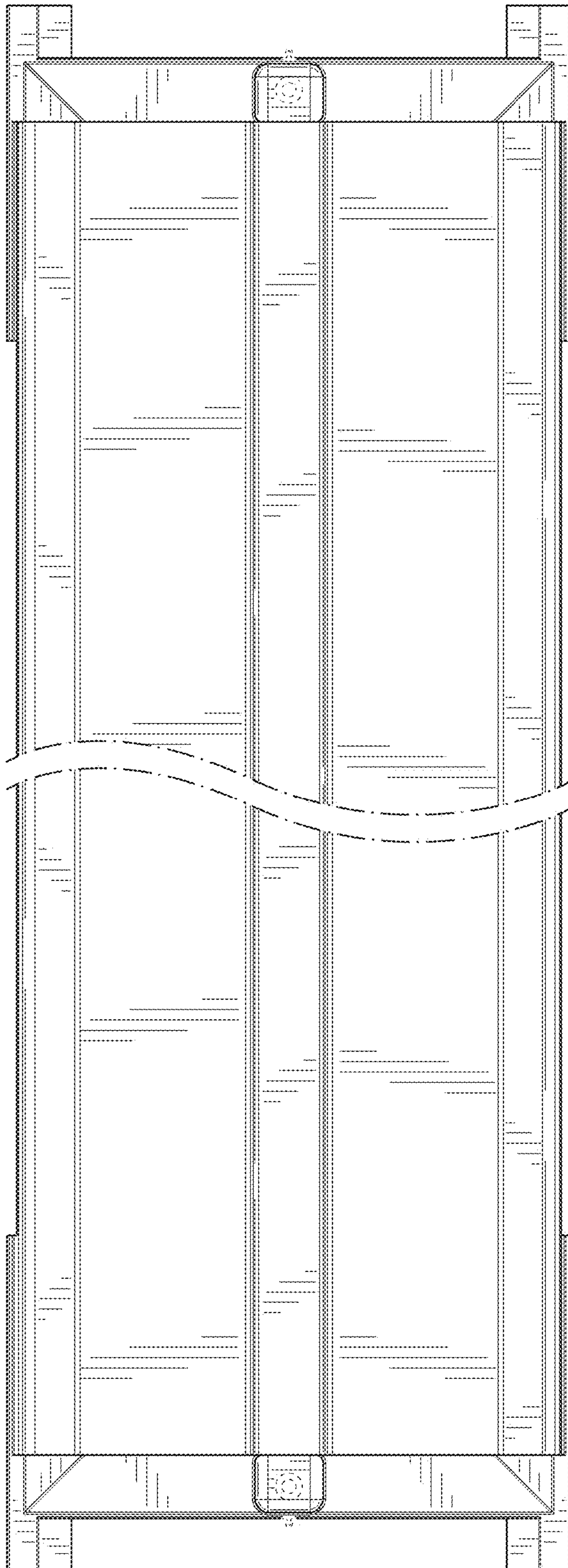


FIG. 7

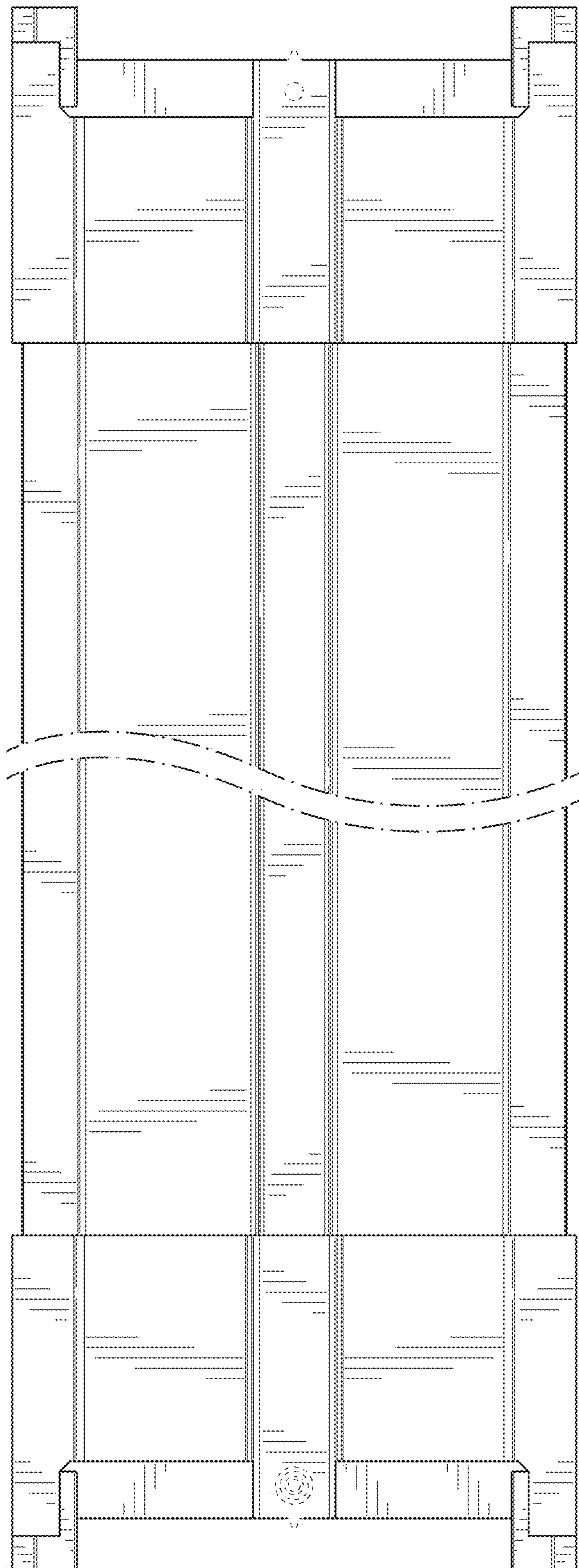


FIG. 8

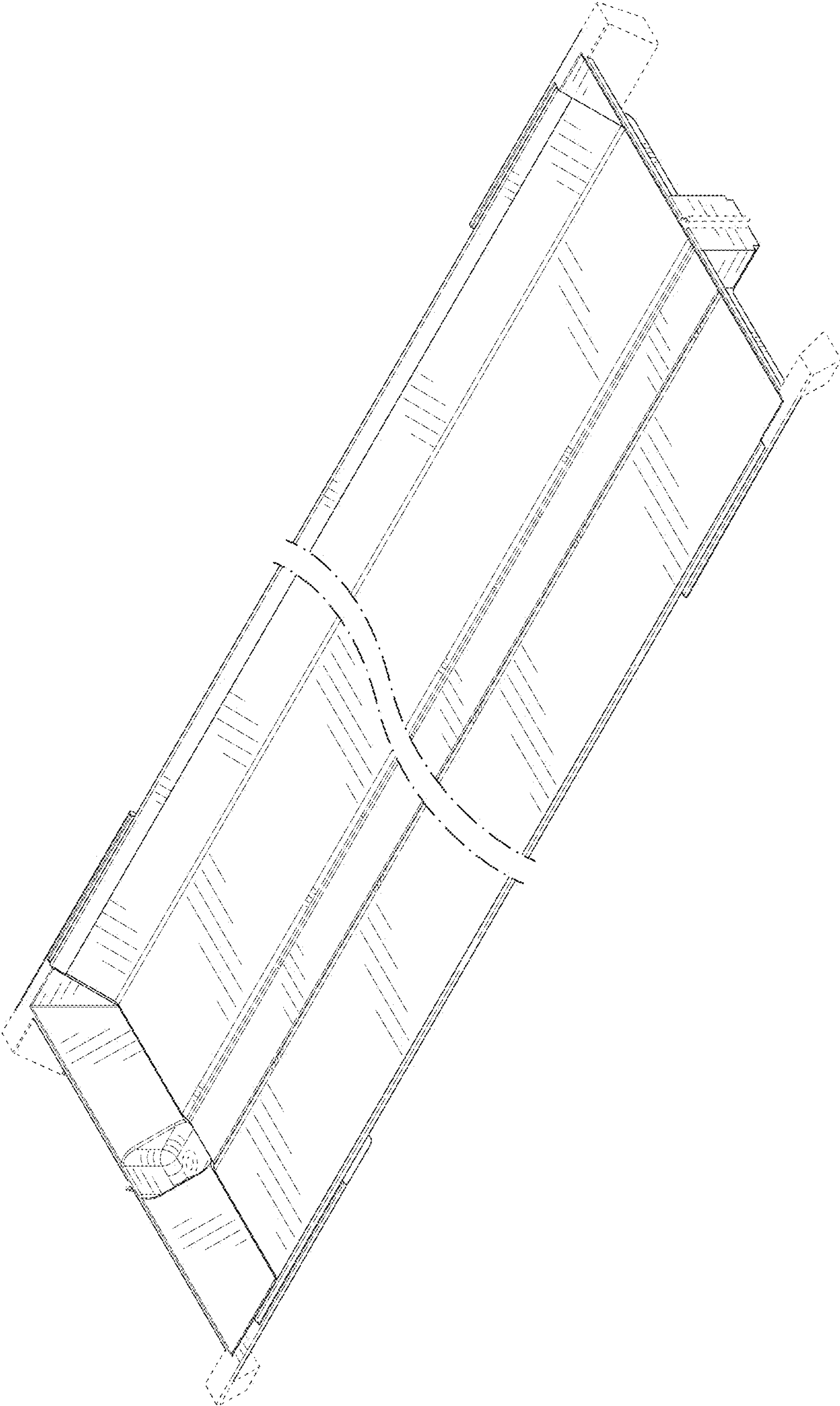


FIG. 9

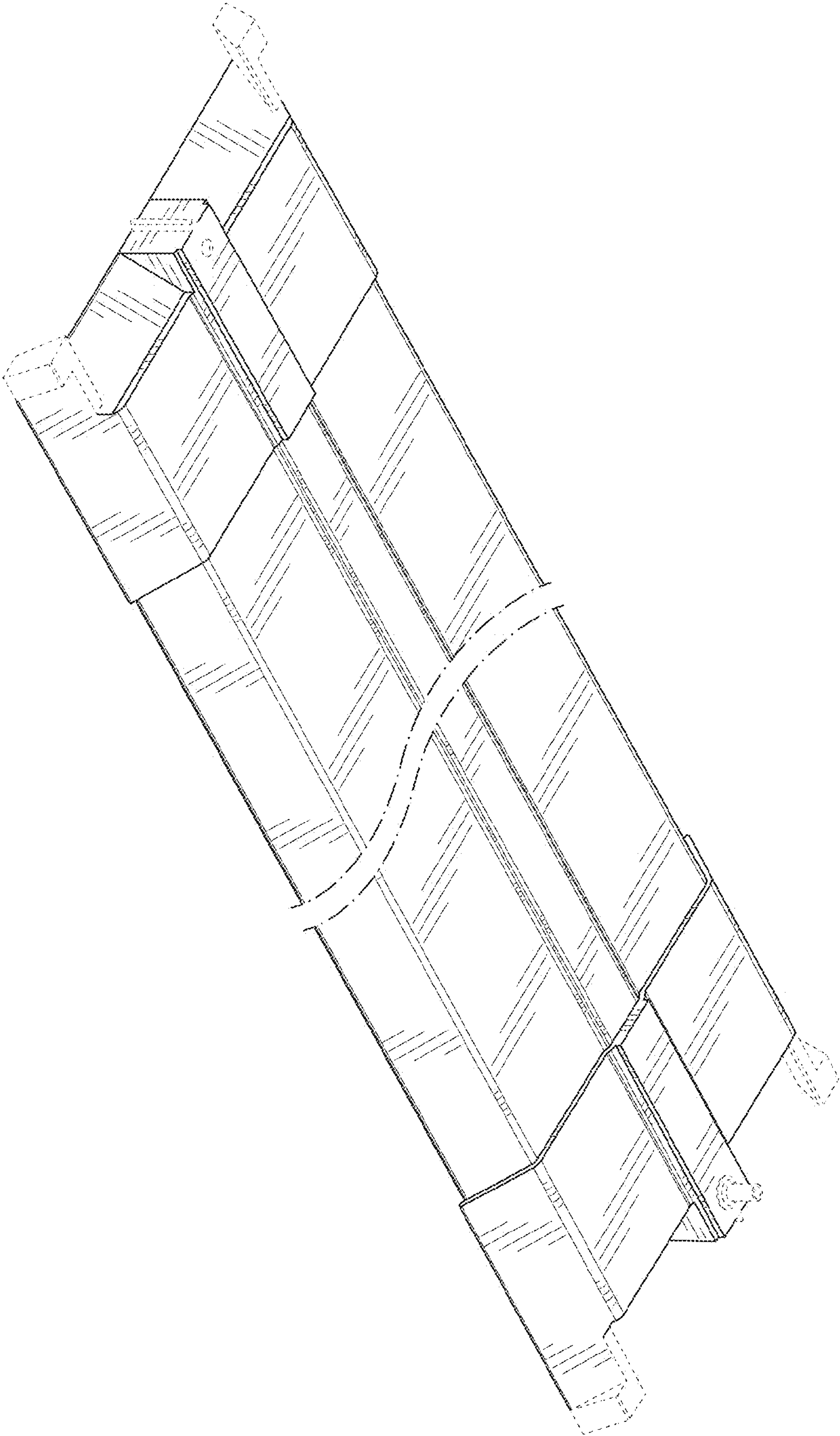


FIG. 10

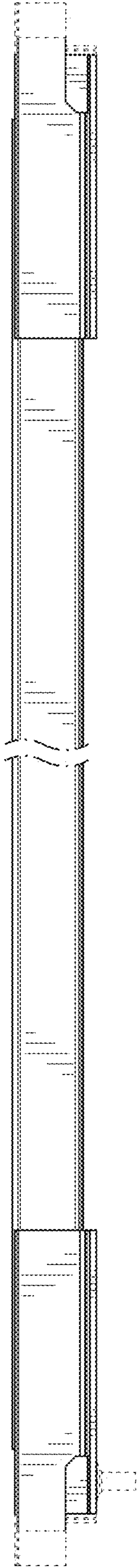


FIG. 11

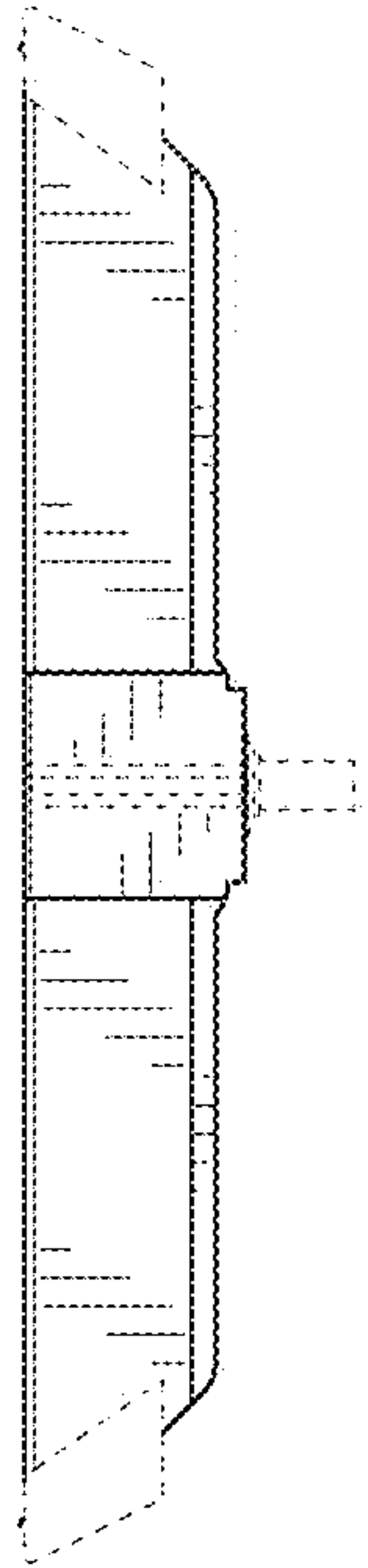


FIG. 12

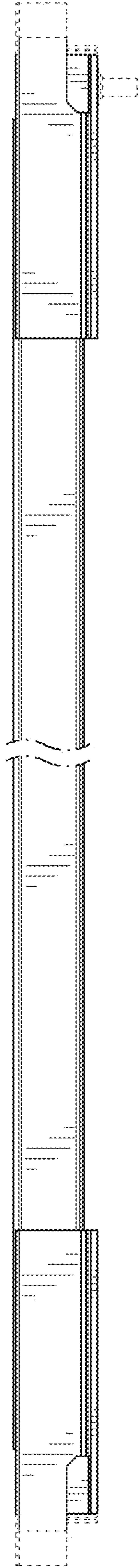


FIG. 13

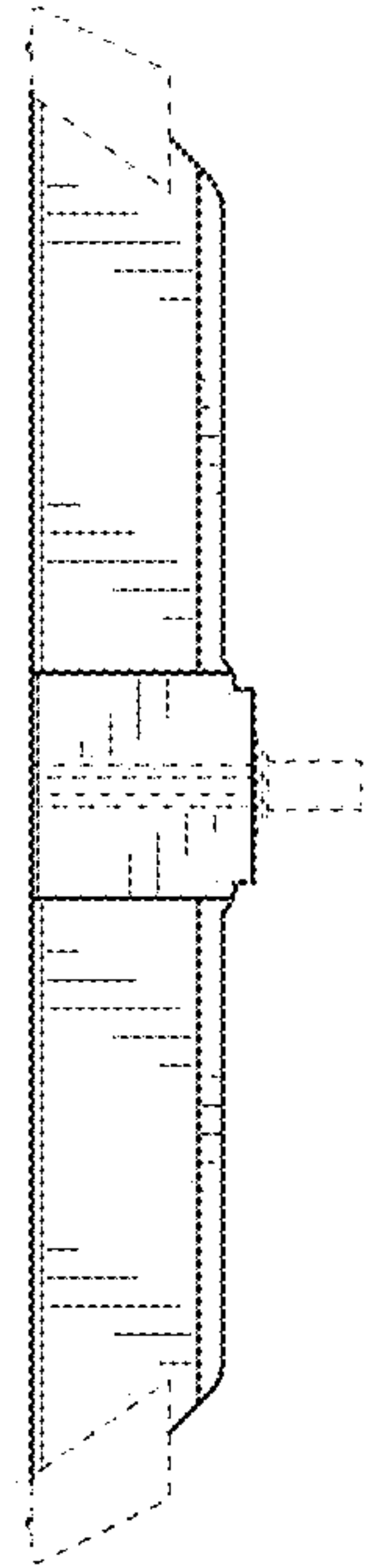


FIG. 14

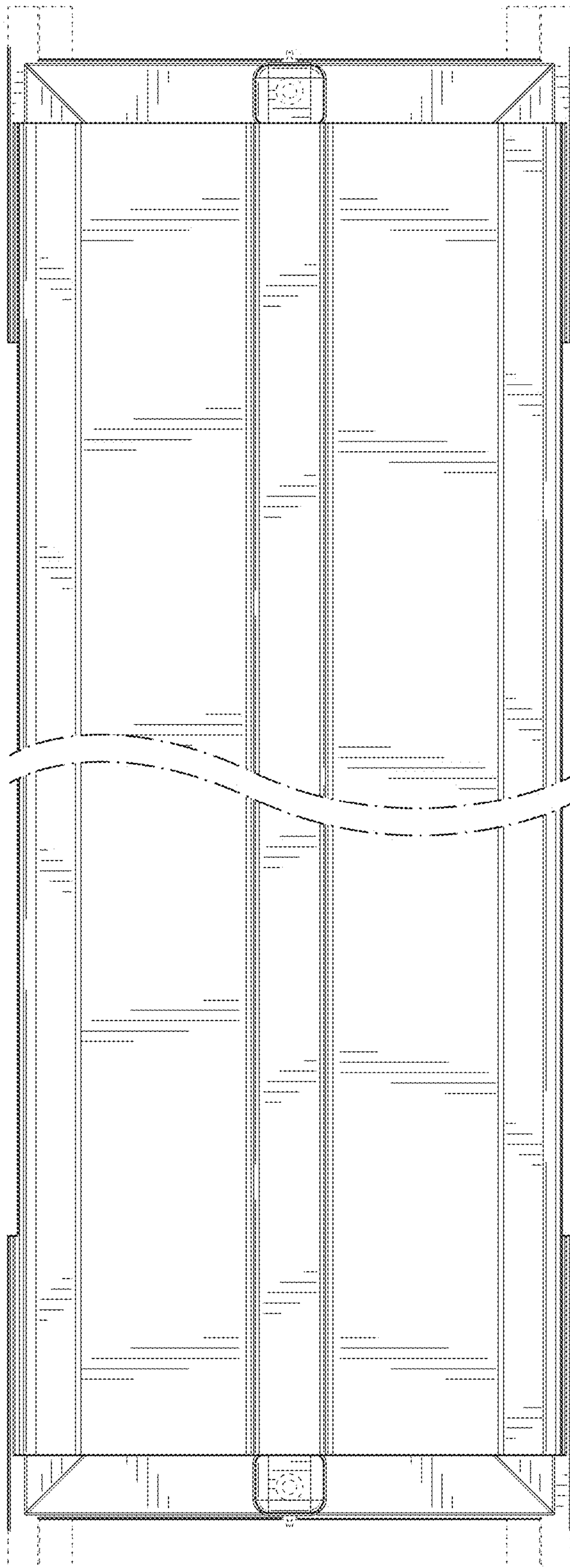


FIG. 15

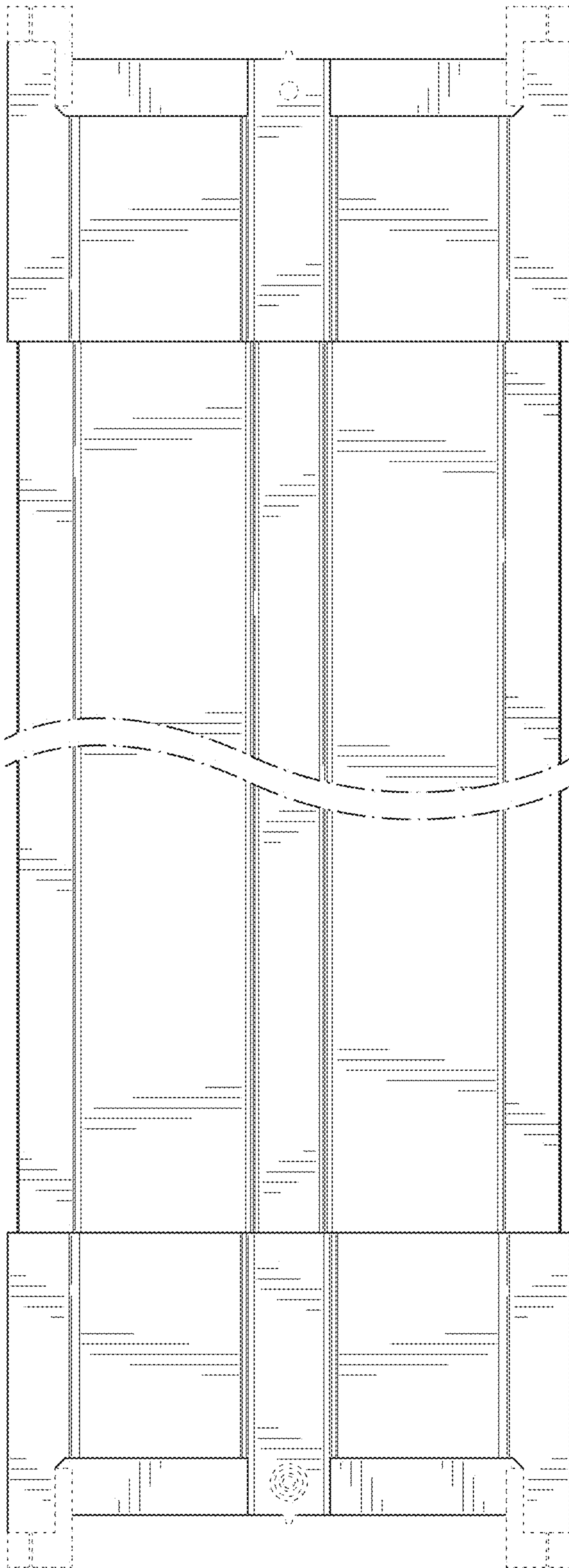


FIG. 16