



US00D965043S

(12) **United States Design Patent** (10) **Patent No.:** **US D965,043 S**  
**Chen** (45) **Date of Patent:** **\*\* Sep. 27, 2022**

(54) **HEAT PRESS MACHINE**

(71) Applicant: **SAILVAN TIMES CO., LTD.**,  
Shenzhen (CN)

(72) Inventor: **Yanyun Chen**, Shenzhen (CN)

(73) Assignee: **SAILVAN TIMES CO., LTD.**,  
Shenzhen (CN)

(\*\*) Term: **15 Years**

(21) Appl. No.: **29/811,815**

(22) Filed: **Oct. 17, 2021**

(51) **LOC (13) Cl.** ..... **15-09**

(52) **U.S. Cl.**  
USPC ..... **D15/144; D32/9; D32/70**

(58) **Field of Classification Search**  
USPC ..... D7/336, 337, 352, 356, 362, 602;  
D15/122, 123, 144, 146; D18/50, 53  
CPC .. B41F 16/00; B41F 16/0026; B41F 16/0093;  
B41F 1/38; B30B 15/047; B30B 15/061;  
B30B 15/064; B30B 15/34; B41M 1/40;  
B41M 5/035; B44C 1/1712

See application file for complete search history.

(56) **References Cited**

**U.S. PATENT DOCUMENTS**

D576,771 S *	9/2008	Reiner	.....	D32/9
D867,410 S	11/2019	Du		
D893,563 S *	8/2020	Crisp	.....	D15/122
D893,566 S *	8/2020	Chen	.....	D15/122
10,876,250 B2 *	12/2020	Stopp	.....	D06F 75/38
D925,621 S *	7/2021	Crisp	.....	D32/70
D935,494 S *	11/2021	Chen	.....	D32/70
D936,120 S *	11/2021	Minibaev	.....	D15/146
D952,009 S *	5/2022	Ai	.....	D32/70

**OTHER PUBLICATIONS**

Legooiin, Heat Press Machine for TShirts, (first available Dec. 20, 2021), Ubuy.com, URL:<https://www.ubuy.com.gr/en/product/49CD9P1W4> (Year: 2021).\*

AONESY, Heat Press Machine for t Shirts Portable, (site visited Aug. 4, 2022), Amazon.com, URL:<https://www.amazon.com/dp/B091BBJ8L8> (Year: 2022).\*

HTVRONT, Heat Press Machine for t Shirts Portable, (first available Oct. 11, 2021), Amazon.com, URL:<https://www.amazon.com/dp/B09J4RW8HK> (Year: 2021).\*

MKORMK, Heat Press , (first available Jan. 19, 2021), Amazon.com, URL:<https://www.amazon.com/dp/B08TBWKBKG> (Year: 2021).\*

\* cited by examiner

*Primary Examiner* — Calvin E Vansant  
*Assistant Examiner* — Mark T. Philipps

(74) *Attorney, Agent, or Firm* — True Shepherd, LLC;  
Andrew Cheng

(57) **CLAIM**

The ornamental design for a heat press machine, as shown and described.

**DESCRIPTION**

FIG. 1 is a front, left and top perspective view of a heat press machine, showing my design.

FIG. 2 is a front elevation view thereof.

FIG. 3 is a rear elevation view thereof.

FIG. 4 is a left side elevation view thereof.

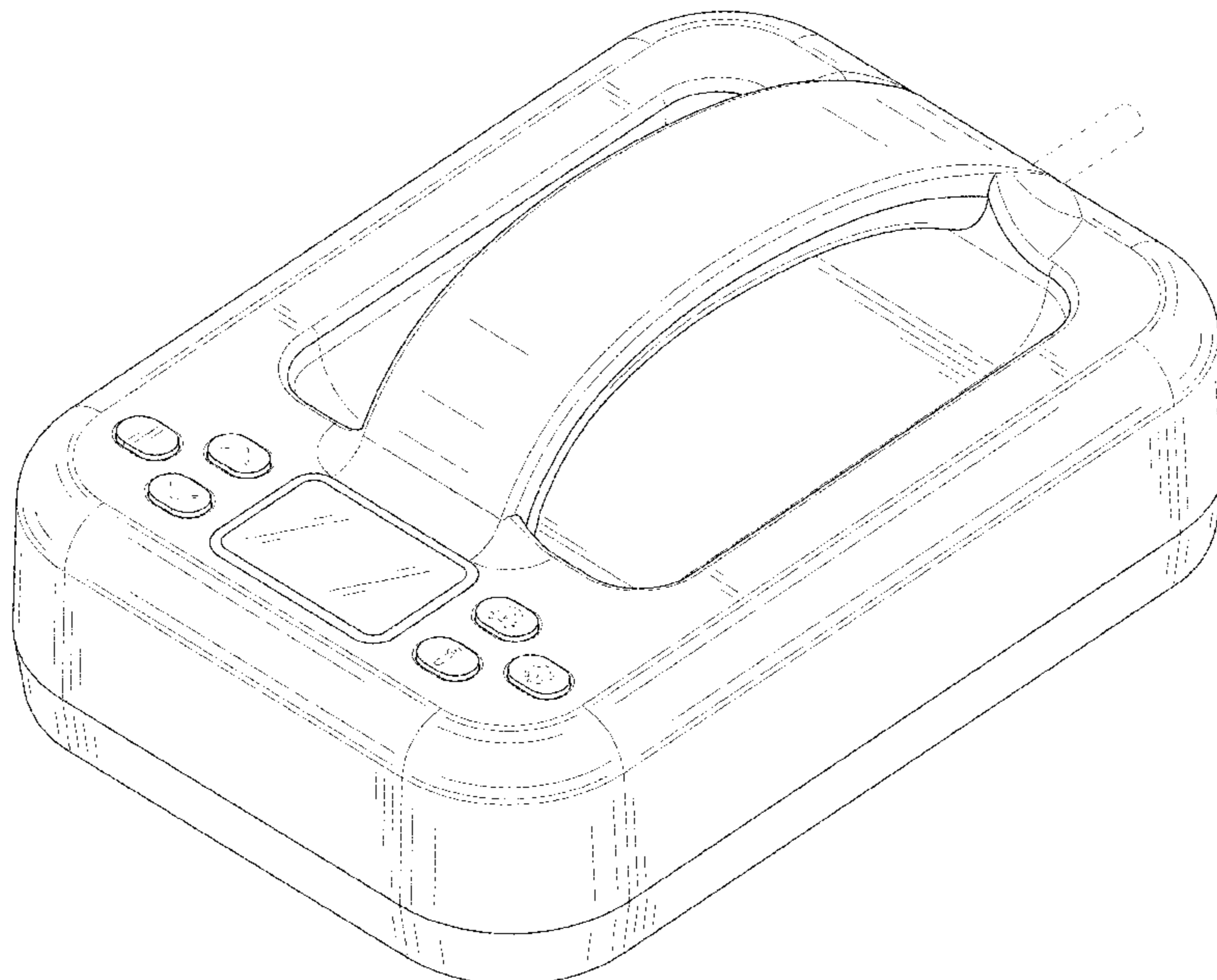
FIG. 5 is a right side elevation view thereof.

FIG. 6 is a top plan view thereof; and,

FIG. 7 is a bottom plan view thereof.

The broken lines shown in the drawings are included for the purpose of illustrating portions of the heat press machine that form no part of the claimed design.

**1 Claim, 7 Drawing Sheets**



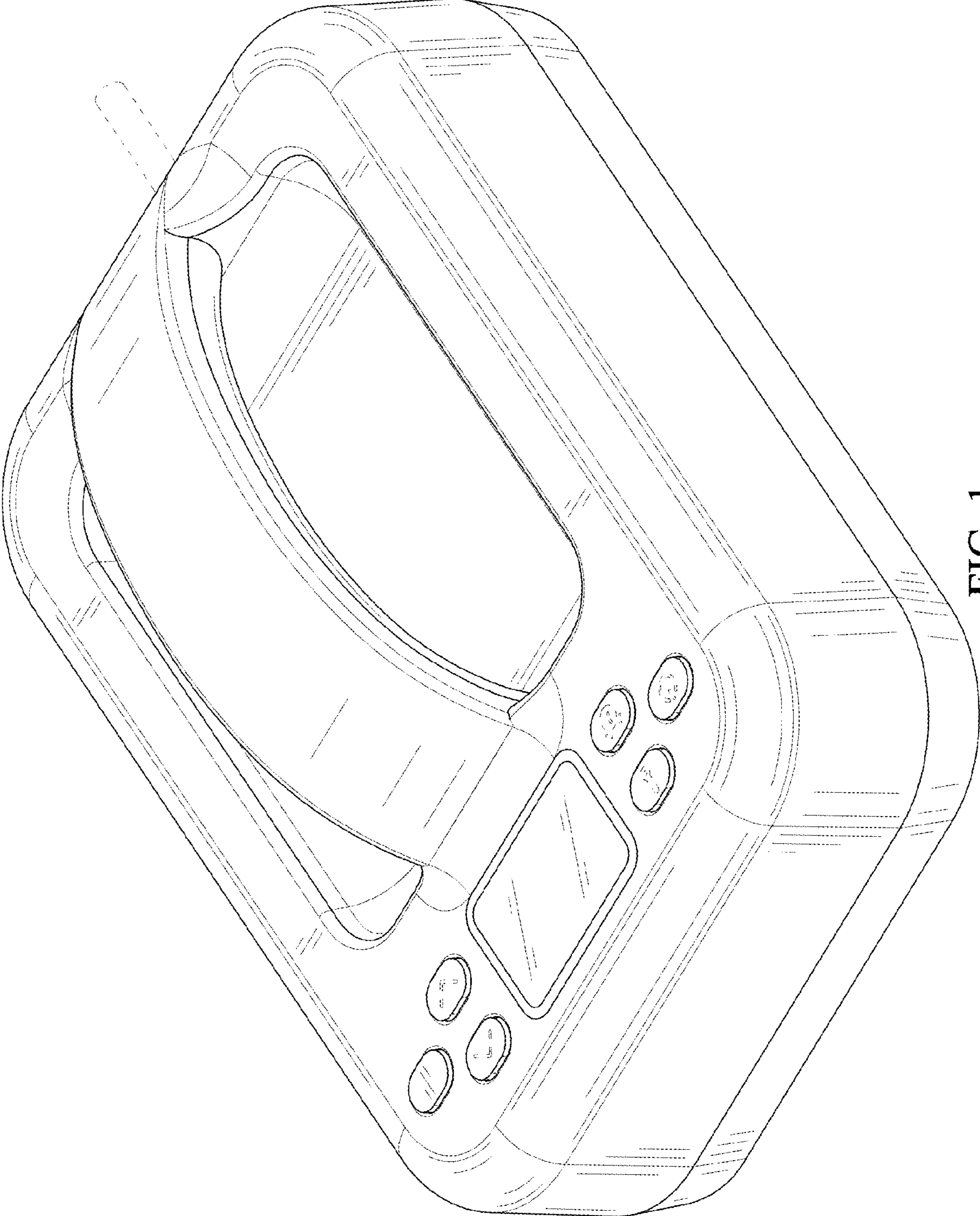


FIG. 1

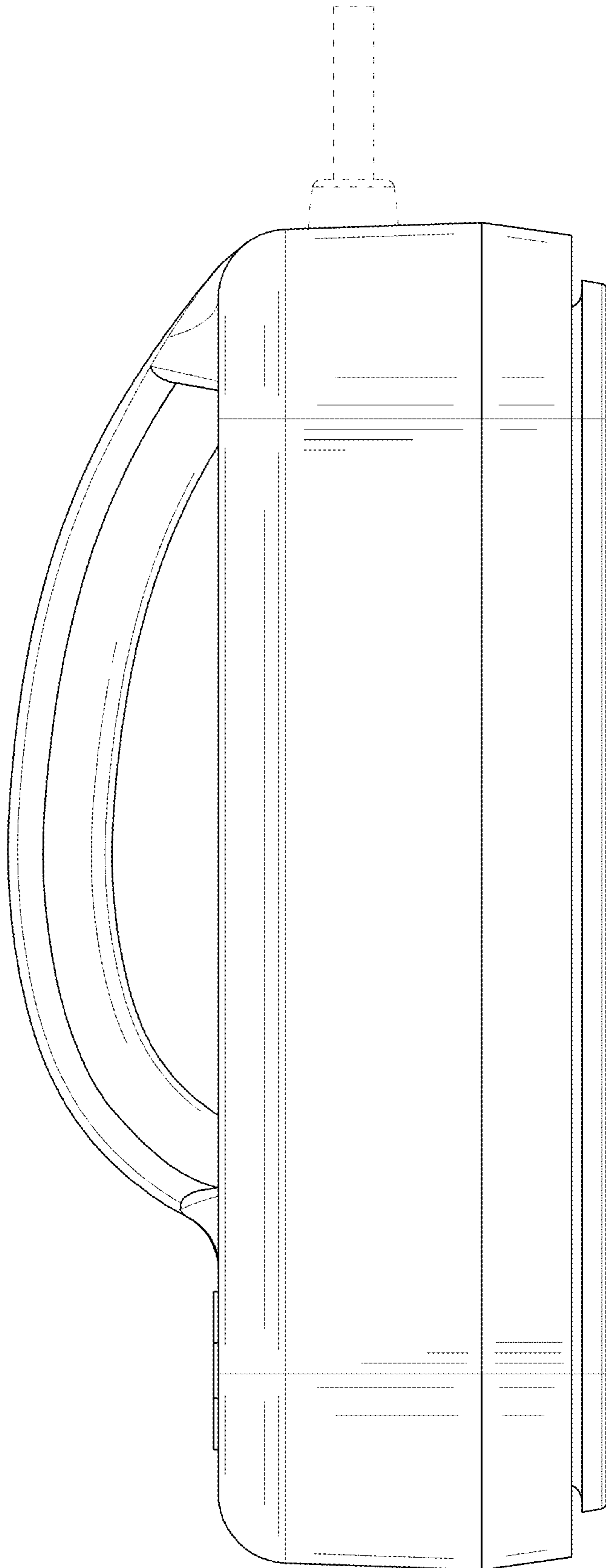


FIG. 2

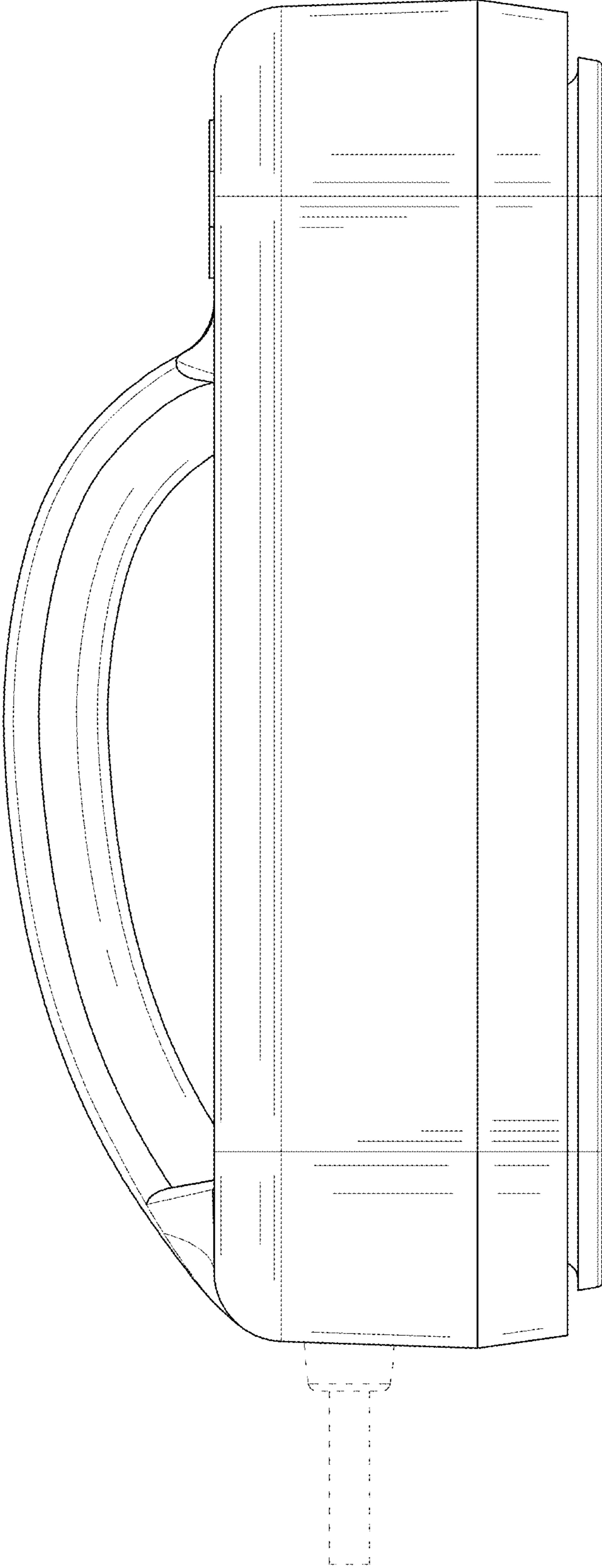


FIG. 3

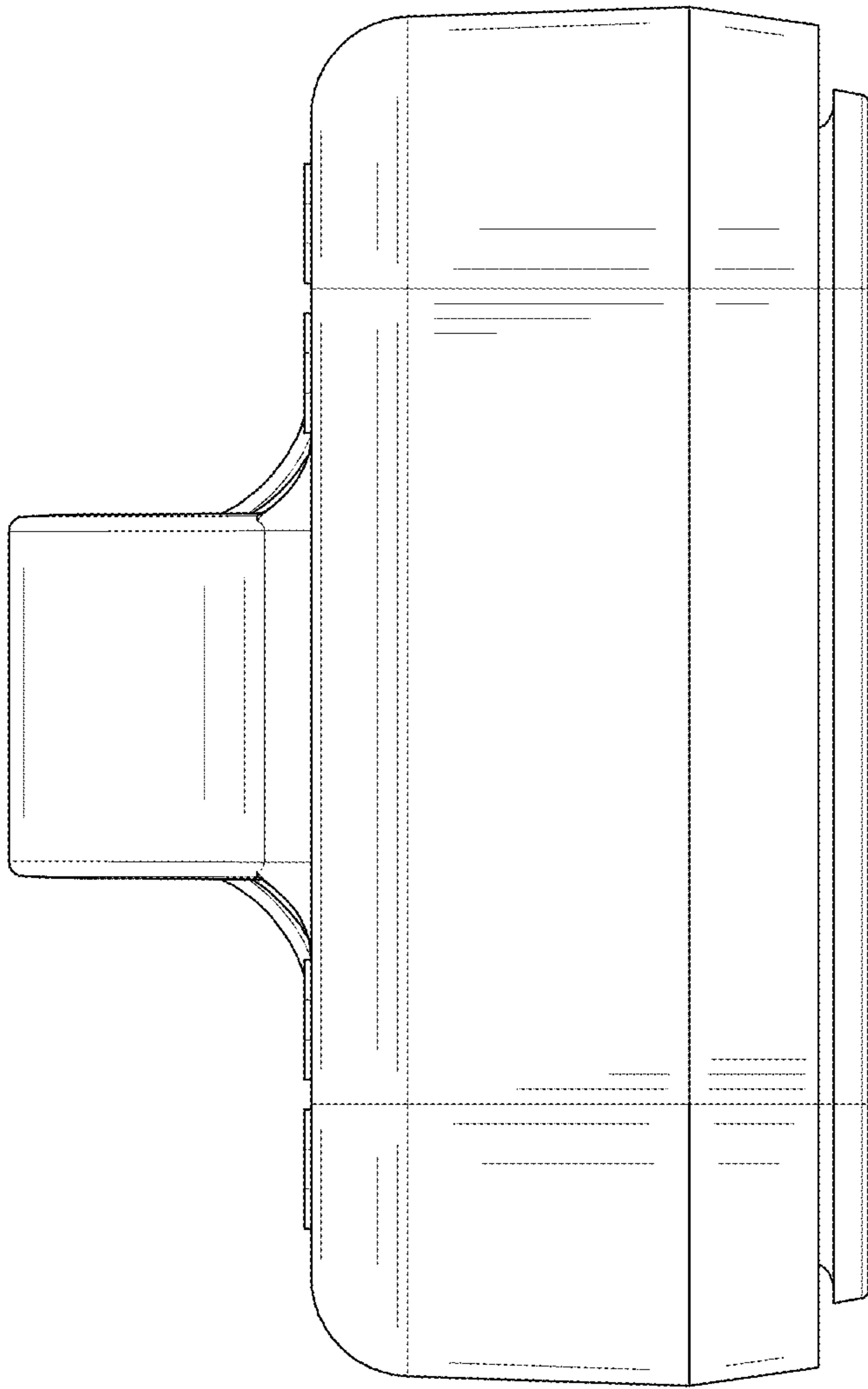


FIG. 4

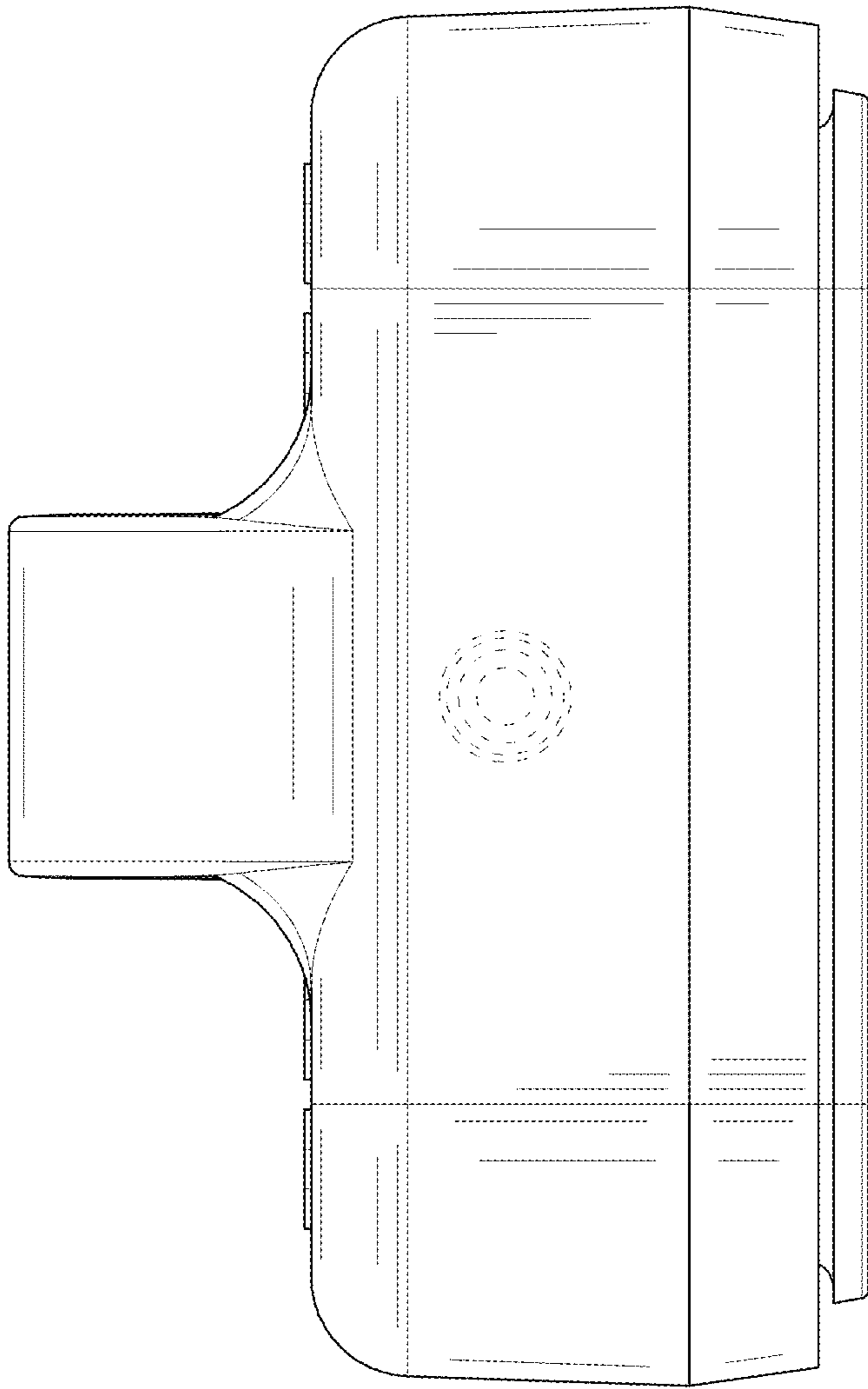


FIG. 5

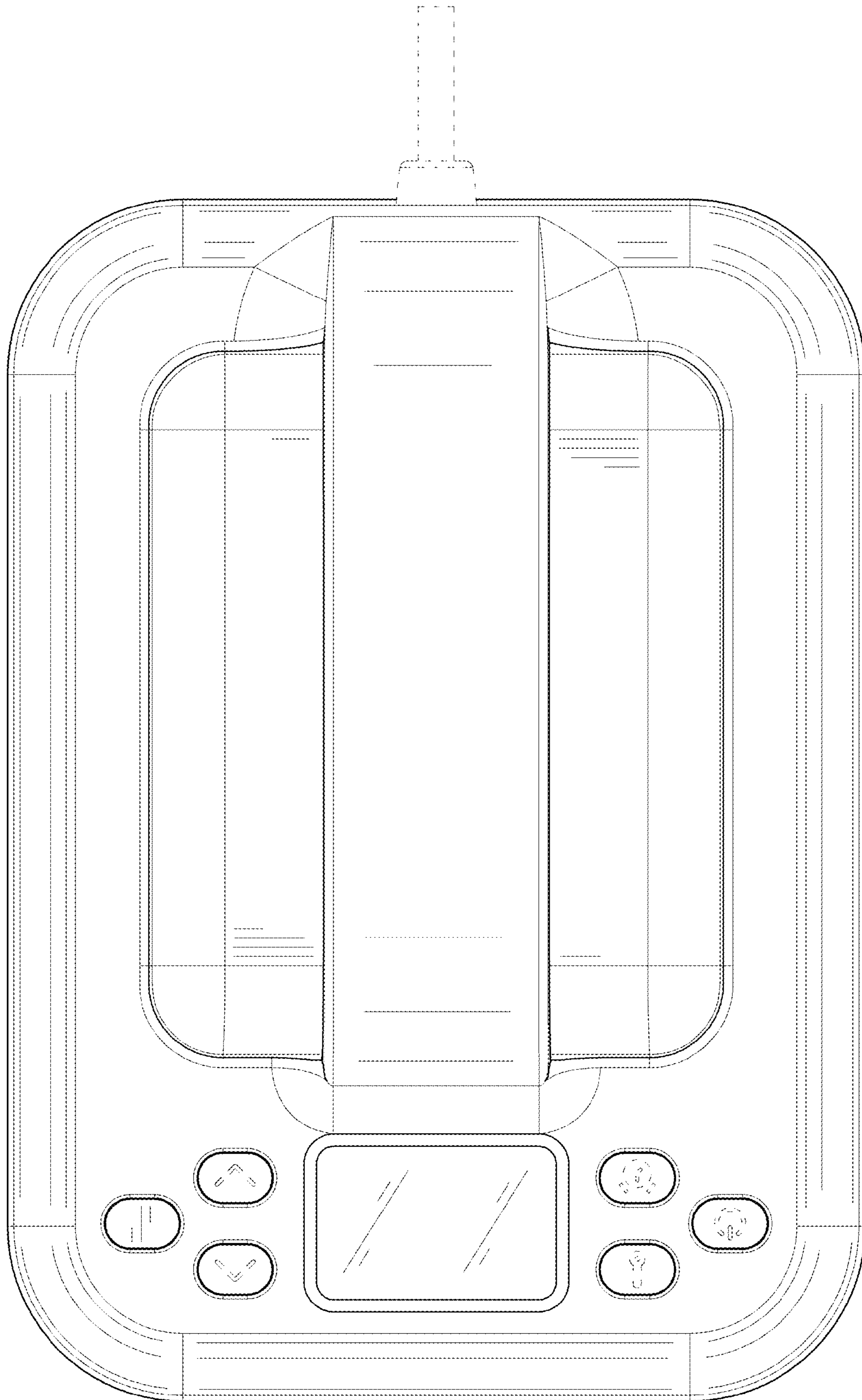


FIG. 6

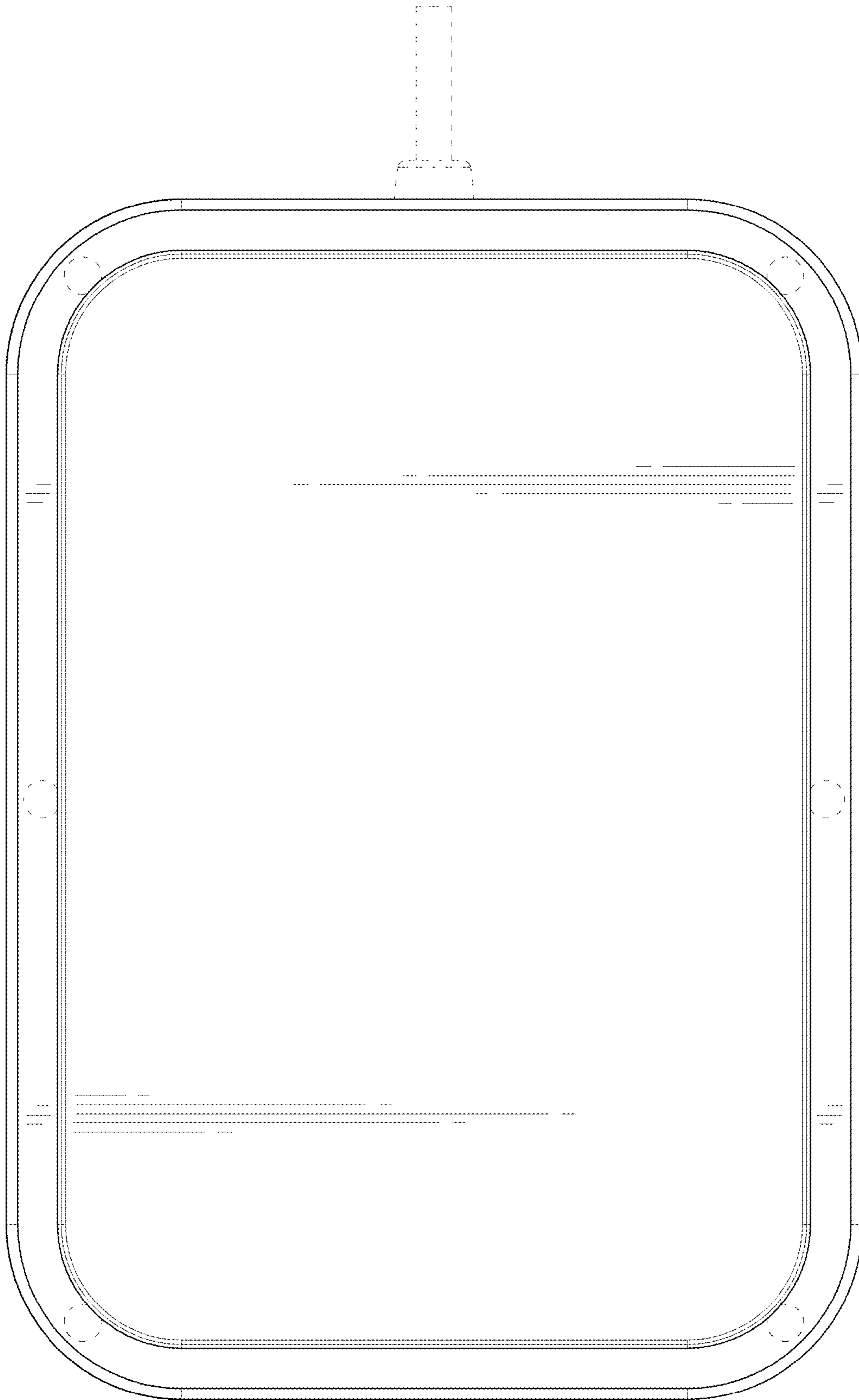


FIG. 7