



US00D965041S

(12) **United States Design Patent** (10) **Patent No.:** **US D965,041 S**  
**Kachline et al.** (45) **Date of Patent:** **\*\* Sep. 27, 2022**

(54) **WELDING TORCH HANDLE**  
(71) Applicant: **Lincoln Global, Inc.**, Santa Fe Springs, CA (US)  
(72) Inventors: **Jeffrey L. Kachline**, Kirtland, OH (US); **Daniel Herrera Vazquez**, Durango (MX)  
(73) Assignee: **Lincoln Global, Inc.**, Santa Fe Springs, CA (US)  
(\*\*) Term: **15 Years**  
(21) Appl. No.: **29/771,434**  
(22) Filed: **Feb. 23, 2021**  
(51) **LOC (13) Cl.** ..... **15-09**  
(52) **U.S. Cl.**  
USPC ..... **D15/144; D8/30**  
(58) **Field of Classification Search**  
USPC ..... D8/29.1, 29.2, 30, 61, 107; D15/144, D15/144.1, 144.2; D23/226  
CPC ..... B23K 9/00; B23K 9/0953; B23K 9/124; B23K 9/325; B23K 9/287; B23K 9/32; B23K 9/295  
See application file for complete search history.

D875,799 S \* 2/2020 Crowe ..... D8/30  
D876,914 S \* 3/2020 Mitterhumer ..... D8/30  
D881,664 S 4/2020 Vazquez et al.  
D882,361 S 4/2020 Calandreli Cruz et al.  
D883,055 S 5/2020 Vazquez et al.  
D888,529 S \* 6/2020 Hartel ..... D8/30  
D893,967 S 8/2020 Vazquez et al.  
D904,146 S \* 12/2020 Grossauer ..... D8/30  
D945,230 S \* 3/2022 Hartel ..... D8/30  
2016/0129516 A1 \* 5/2016 Hoeger ..... B23K 9/0953  
219/121.11

**FOREIGN PATENT DOCUMENTS**

WO WO-2016048980 A2 \* 3/2016 ..... B23K 9/173  
\* cited by examiner

*Primary Examiner* — Patricia A Palasik  
(74) *Attorney, Agent, or Firm* — Brad C. Spencer

(57) **CLAIM**

The ornamental design for a welding torch handle, as shown and described.

**DESCRIPTION**

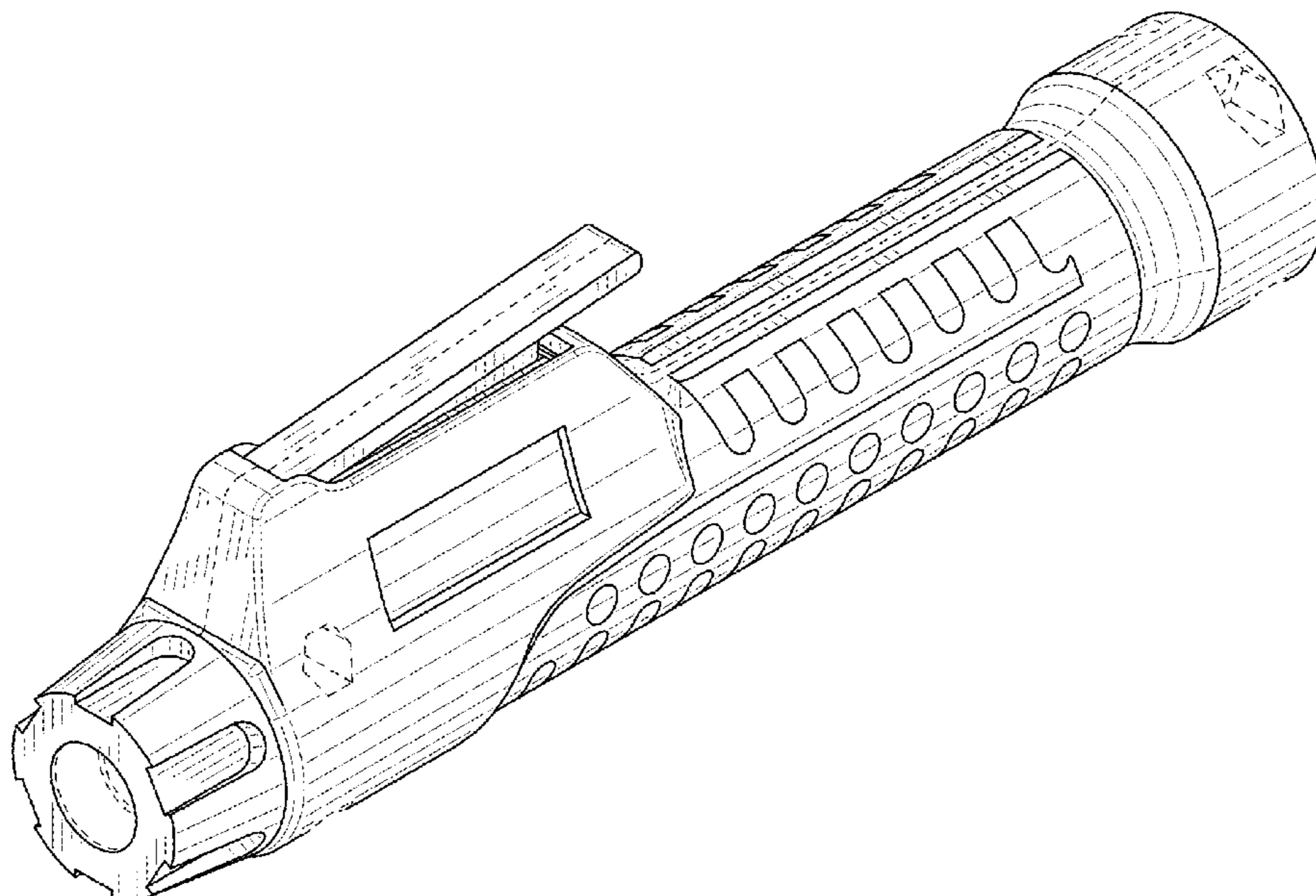
FIG. 1 is a front perspective view of the design for a welding torch handle;  
FIG. 2 is a right side view thereof;  
FIG. 3 is a front view thereof;  
FIG. 4 is a rear view thereof;  
FIG. 5 is a left side view thereof;  
FIG. 6 is a top plan view thereof;  
FIG. 7 is a bottom plan view thereof; and,  
FIG. 8 is a rear perspective view thereof.  
In these drawings, the solid lines illustrate the claimed ornamental design, whereas the broken lines illustrate portions of the welding torch handle that form no part of the claimed design.

**1 Claim, 7 Drawing Sheets**

(56) **References Cited**

**U.S. PATENT DOCUMENTS**

D326,594 S \* 6/1992 Haberman ..... D8/30  
D403,216 S \* 12/1998 Romine ..... D8/30  
D486,368 S \* 2/2004 Jones ..... D8/30  
D488,968 S \* 4/2004 Kinerson ..... D8/30  
D532,432 S \* 11/2006 Owens ..... D8/107  
D537,092 S \* 2/2007 Owens ..... D8/107  
D735,002 S \* 7/2015 Bondy ..... D8/30  
D752,403 S 3/2016 Kindig  
D771,727 S \* 11/2016 Imi ..... D15/144  
D849,808 S \* 5/2019 Assmann ..... D8/107



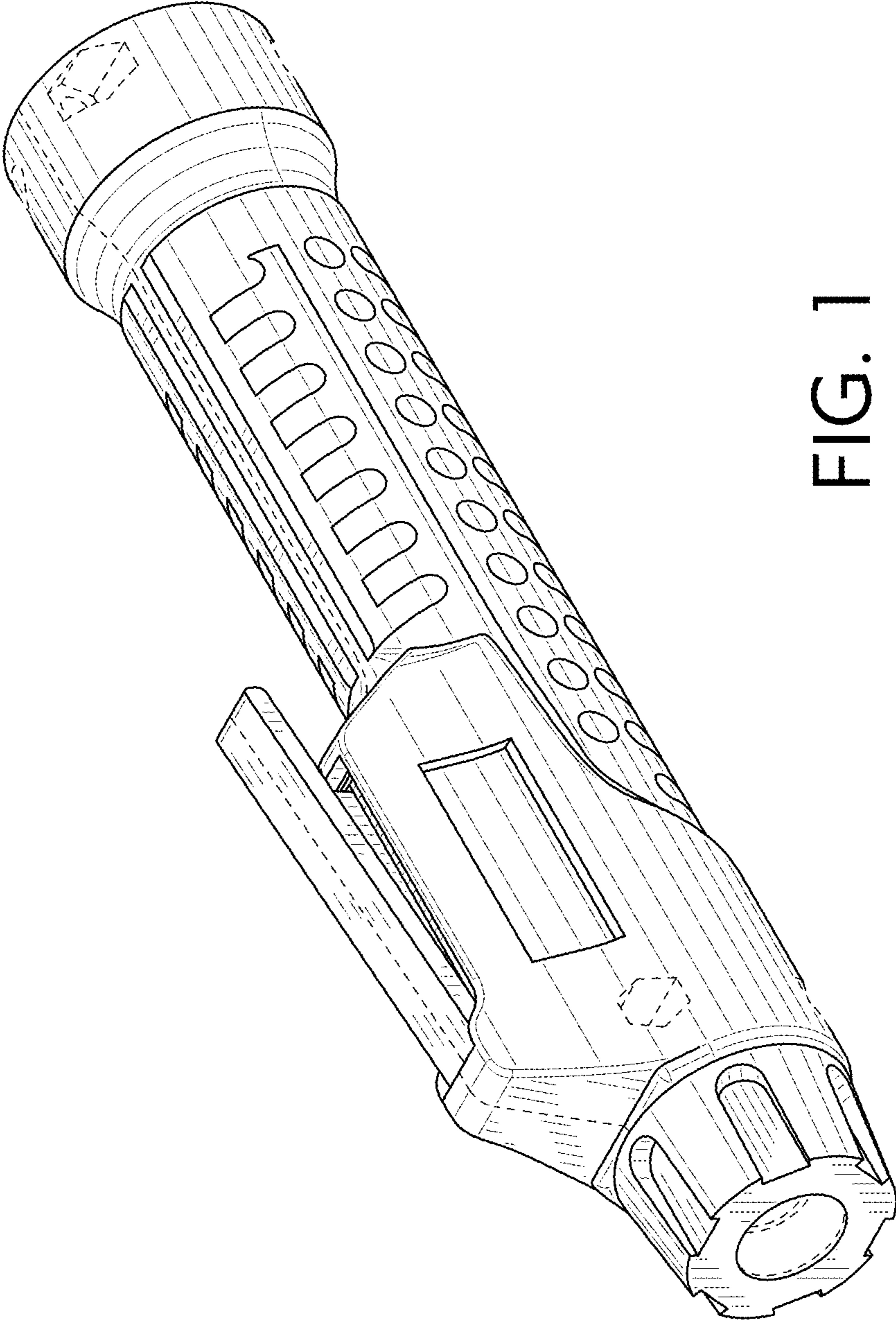


FIG. 1

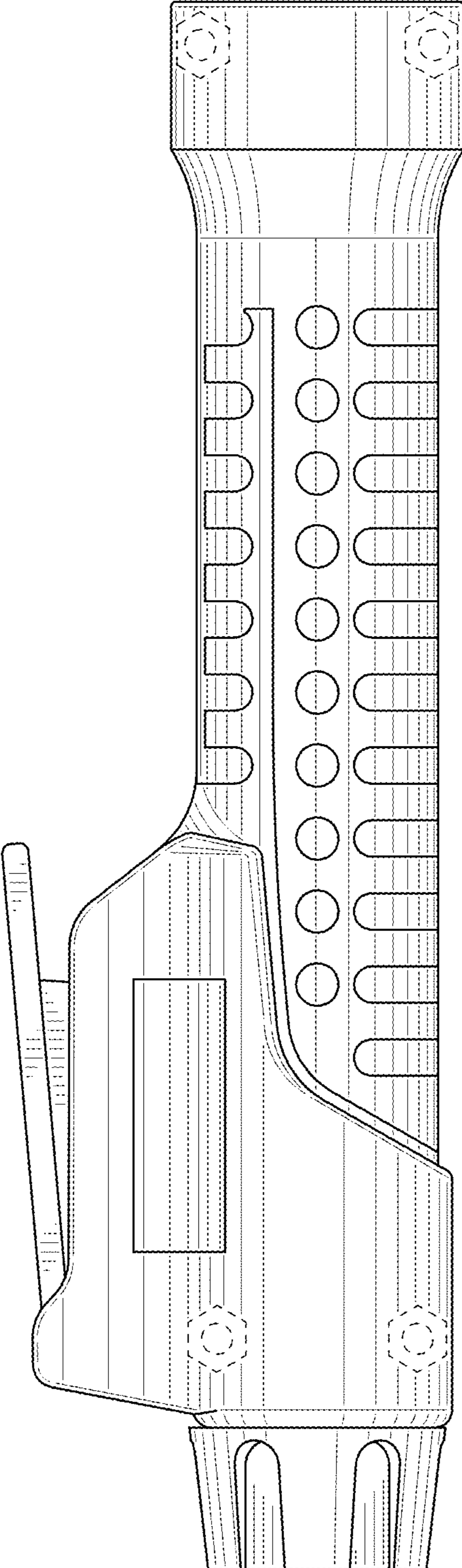


FIG. 2

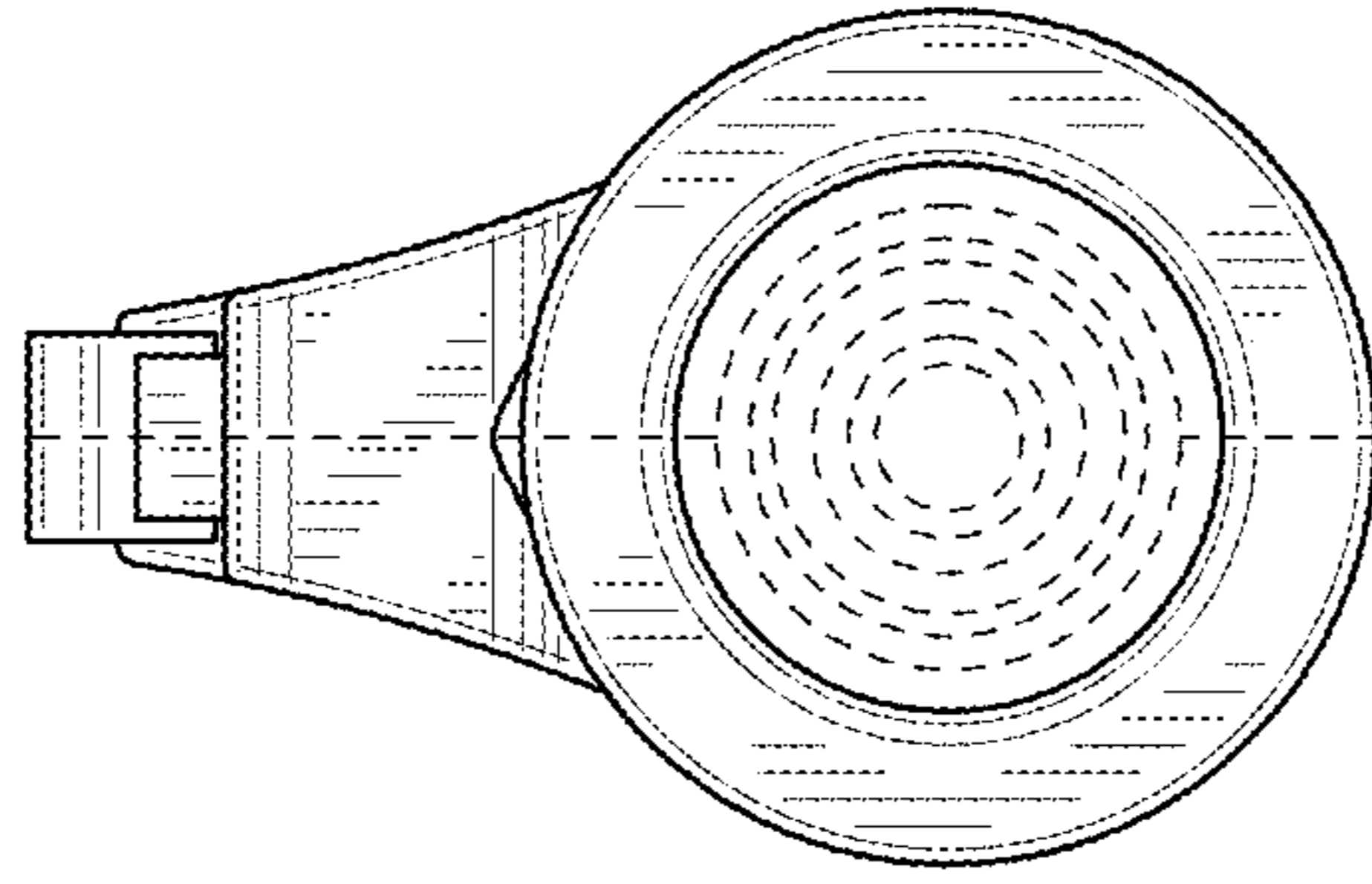


FIG. 4

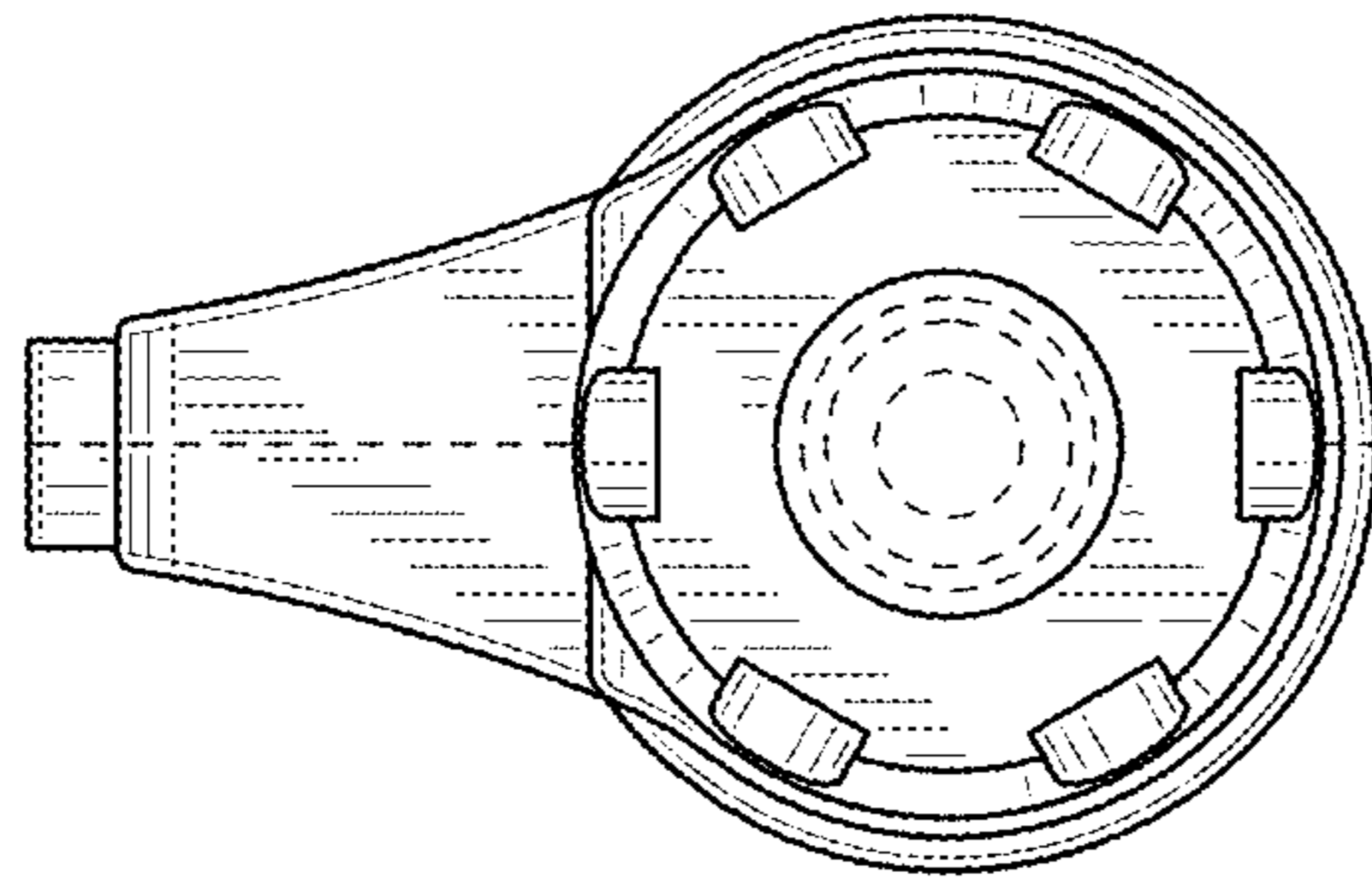


FIG. 3



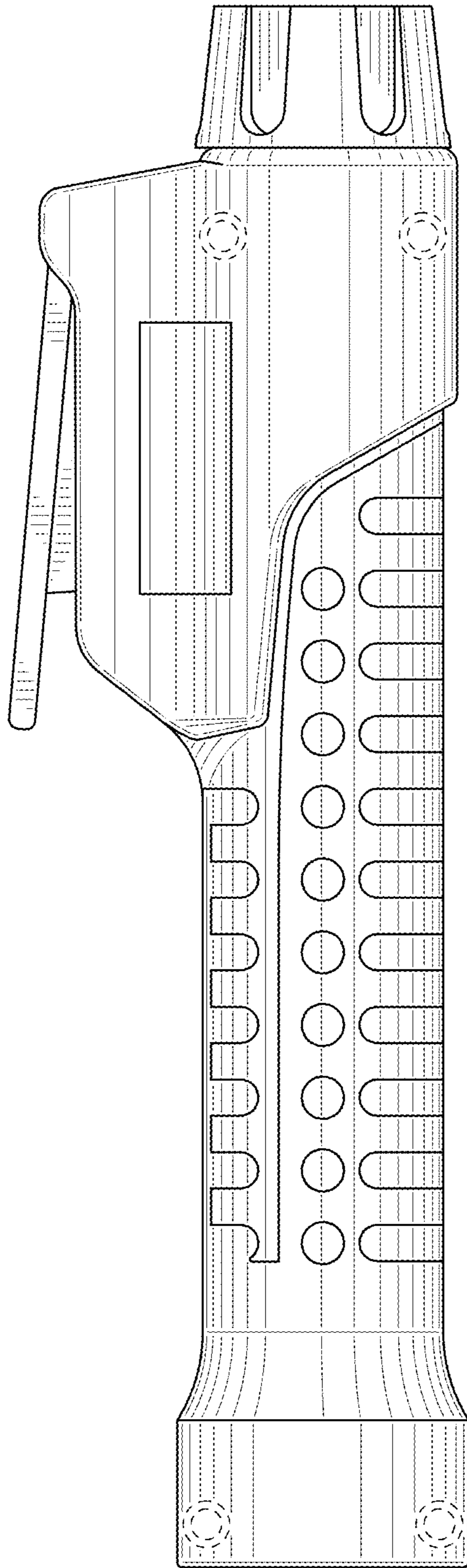


FIG. 5

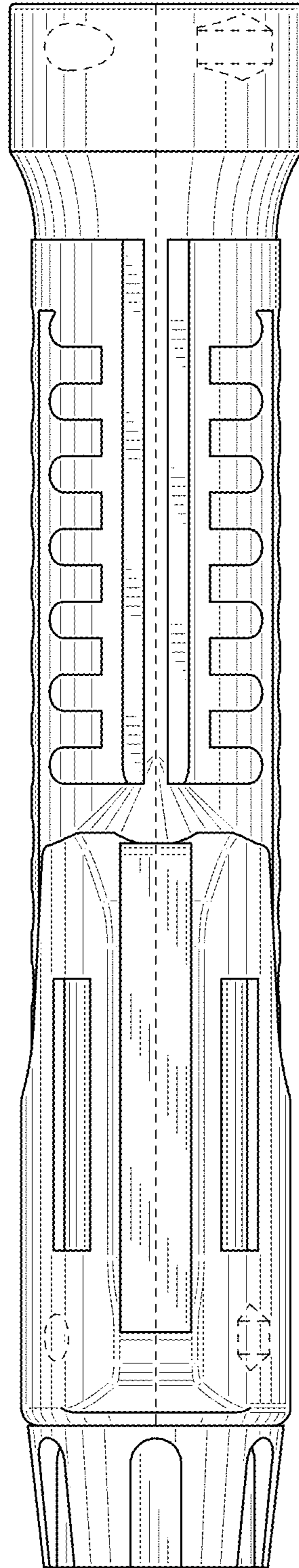


FIG. 6

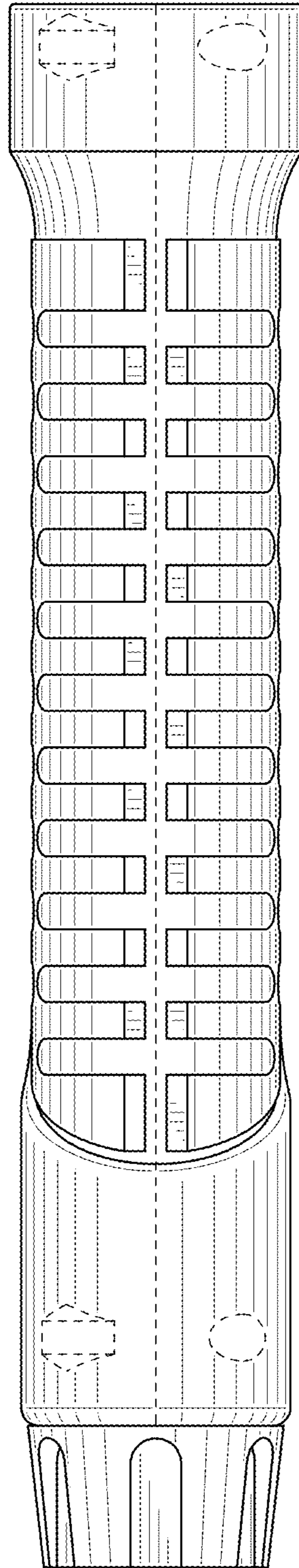


FIG. 7

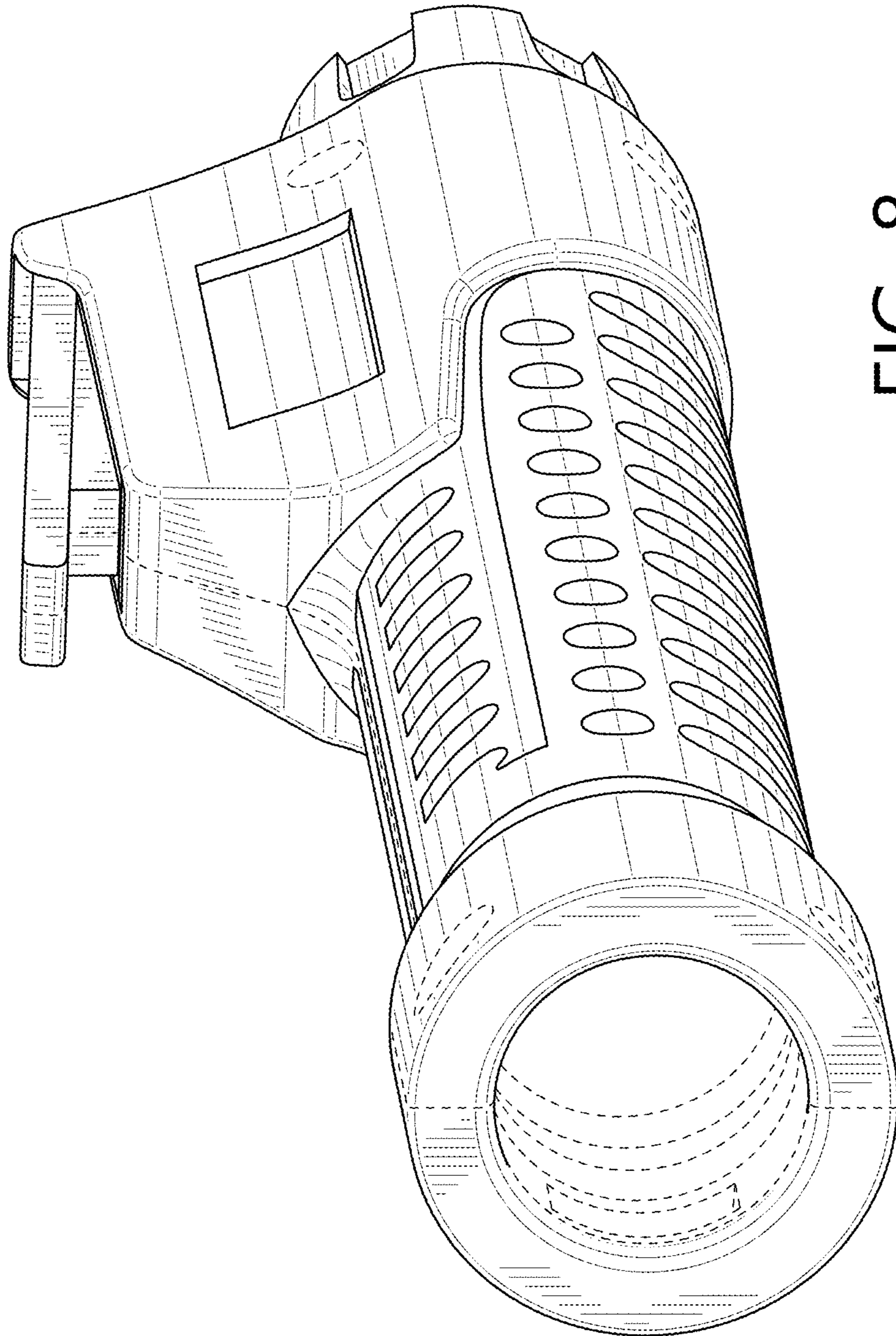


FIG. 8