



US00D965040S

(12) **United States Design Patent** (10) **Patent No.:** **US D965,040 S**
Klein et al. (45) **Date of Patent:** **** Sep. 27, 2022**

- (54) **WOODWORKING FEATHERBOARD**
- (71) Applicant: **Magswitch Technology Worldwide PTY LTD., Lafayette, CO (US)**
- (72) Inventors: **Andrew Klein, Parker, CO (US); David Long, Golden, CO (US)**
- (73) Assignee: **MAGSWITCH TECHNOLOGY WORLDWIDE PTY LTD., Lafayette, CO (US)**
- (**) Term: **15 Years**
- (21) Appl. No.: **29/715,079**
- (22) Filed: **Nov. 27, 2019**
- (51) **LOC (13) Cl.** **15-09**
- (52) **U.S. Cl.**
USPC **D15/140**
- (58) **Field of Classification Search**
USPC D15/140; D8/70-72
CPC B27G 21/00; B23D 47/04; B23D 47/045
See application file for complete search history.

(56) **References Cited**

U.S. PATENT DOCUMENTS

4,476,757	A *	10/1984	Morris	B23D 47/04 83/420
5,000,237	A *	3/1991	Berkeley	B23Q 3/002 144/251.2
7,299,840	B1 *	11/2007	Moschetti	B23D 47/04 144/286.1
7,942,174	B2 *	5/2011	Kozina	B23D 47/04 144/253.6
D678,926	S *	3/2013	Kozina	B27C 5/06 D15/140
8,763,502	B2 *	7/2014	Smith	B27B 25/10 83/13

10,843,281	B2 *	11/2020	Bow	B23Q 3/002
2002/0162439	A1 *	11/2002	Fontaine	B27B 27/00 83/438
2005/0241450	A1 *	11/2005	Schwartz	B27B 29/00 83/448
2008/0277024	A1 *	11/2008	Kozina	B27B 25/10 83/13
2010/0307302	A1 *	12/2010	Smith	B27B 25/10 83/13
2019/0240747	A1 *	8/2019	Bow	B23D 47/045
2021/0154881	A1 *	5/2021	Klein	B23D 47/045

OTHER PUBLICATIONS

Magswitch Universal Featherboard; <https://magswitch.com/product/universal-featherboard/>; available at least Nov. 20, 2019, 7 pages.

(Continued)

Primary Examiner — Nathaniel D. Buckner

(74) *Attorney, Agent, or Firm* — Faegre Drinker Biddle & Reath LLP

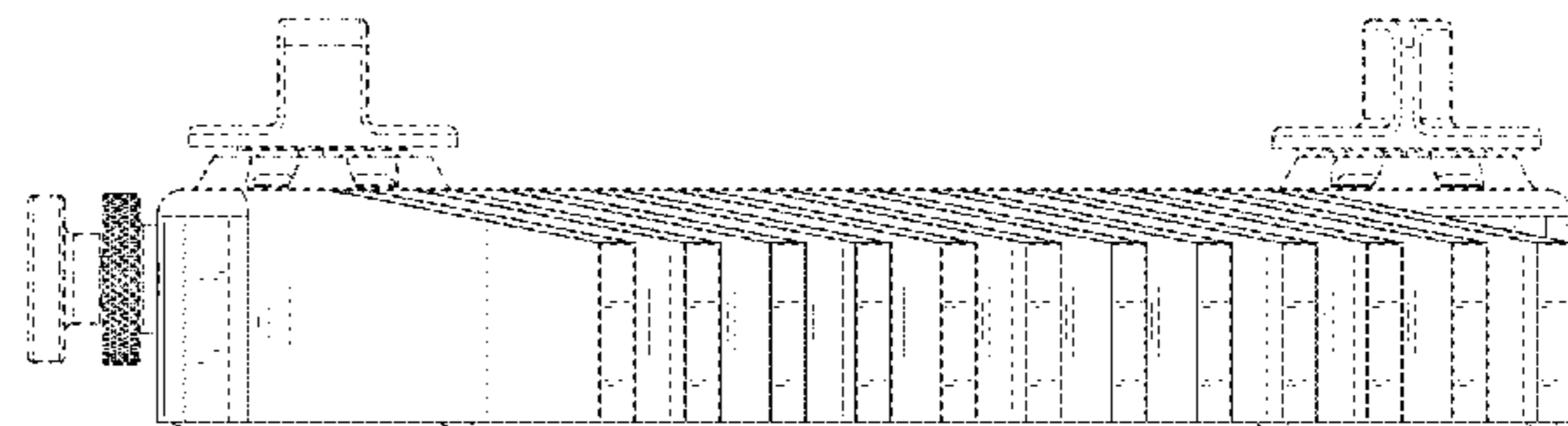
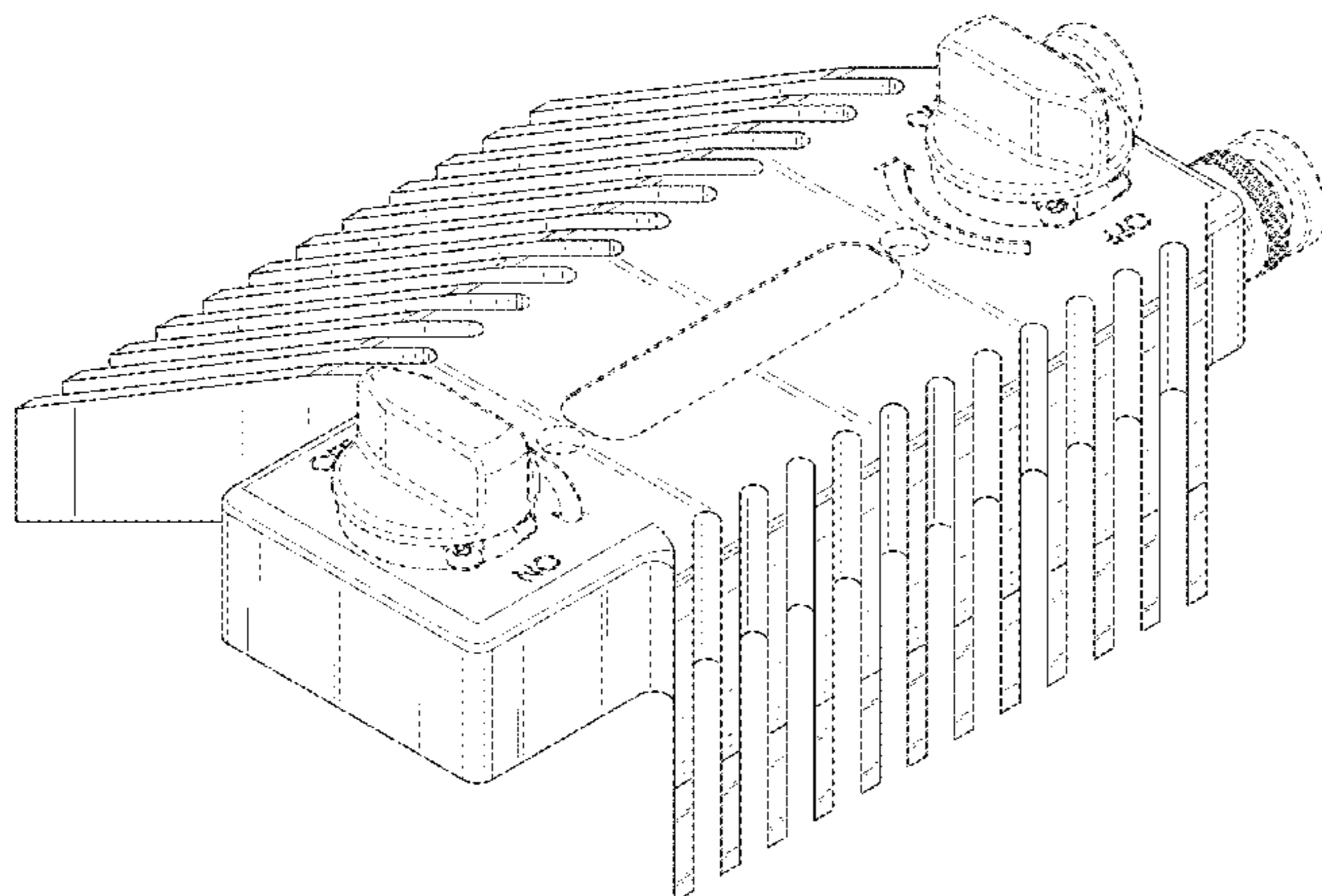
(57) **CLAIM**

The ornamental design for a woodworking featherboard, as shown and described.

DESCRIPTION

FIG. 1 is a front perspective view of a woodworking featherboard showing my new design in a first embodiment; FIG. 2 is a left side elevational view thereof; FIG. 3 is a right side elevational view thereof; FIG. 4 is a top plan view thereof; FIG. 5 is a bottom plan view thereof; FIG. 6 is a front elevational view thereof; and, FIG. 7 is a rear elevational view thereof. The broken lines in the drawings depict portions of the woodworking featherboard that form no part of the claimed design.

1 Claim, 7 Drawing Sheets



(56)

References Cited

OTHER PUBLICATIONS

Powertec Fence Flip Stop with $\frac{5}{16}$ in. T-Bolt $2\frac{1}{4}$ in.; https://www.homedepot.com/p/POWERTEC-Fence-Flip-Stop-with-5-16-in-T-Bolt-2-1-4-in-71135/309699997?mtc=Shopping-B-F_D25T-G-D25T-25_9_PORTABLE_POWER-Multi-NA-Feed-PLA-NA-NA-PortablePower_PLA&cm_mmc=Shopping-B-F_D25T-G-D25T-25_9_PORTABLE_POWER-Multi-NA-Feed-PLA-NA-NA-PortablePower_PLA-7170000034127218-58700003933021540-92700049075717482&gclid=CjwKCAiAws7uBRakEiwAMlbZjZagnFzVMftqvexwzD6c6giQhfJ_7fzTwAoYt2rbm9sBLt42RblqBoCDucQAvD_BwE&gclid=aw.ds; available at least Nov. 20, 2019, 7 pages.

Milescraft Feather Board for Router Tables and Table Saws; https://www.homedepot.com/p/Milescraft-Feather-Board-for-Router-Tables-and-Table-Saws-1406/202241672?mtc=Shopping-B-F_D25T-G-D25T-25_9_PORTABLE_POWER-Multi-NA-Feed-PLA-NA-NA-PortablePower_PLA&cm_mmc=Shopping-B-F_D25T-G-D25T-25_9_PORTABLE_POWER-Multi-NA-Feed-PLA-NA-NA-PortablePower_PLA-7170000034127218-58700003933021540-92700053252310110&gclid=Cj0KCQjwgJv4BRCrARIsAB17JI66

ZQqLpaaWnFTKAe06PIrBn0NmlYdC5_wSUIFmMqTDh2o_nTEXyT0aAtKGEALw_wcB&gclid=aw.ds; available at least Nov. 26, 2019, 9 pages.

Powertec Dual Universal Featherboards; https://www.homedepot.com/p/POWERTEC-Dual-Universal-Featherboards-for-Multi-Functional-Woodworking-with-Flex-and-Miter-Lock-System-1-Pack-71468/313_524190?mtc=Shopping-B-F_D25T-G-D25T-25_9_PORTABLE_POWER-Multi-NA-Feed-PLA-NA-NA-PortablePower_PLA&cm_mmc=Shopping-B-F_D25T-G-D25T-25_9_PORTABLE_POWER-Multi-NA-Feed-PLA-NA-NA-PortablePower_PLA-7170000034127218-58700003933021540-92700053252310110&gclid=Cj0KCQjwgJv4BRCrARIsAB17JI61Ko6CDKf5ekb6ZYIsctLPSD2adpZS9jHWe8JlxOx7bFvHQypqtAEaAuJVEALw_wcB&gclid=aw.ds; available at least Nov. 26, 2019, 6 pages.

Kreg True-FLEX Feather Board; https://www.homedepot.com/p/Kreg-True-FLEX-Feather-Board-2-Pack-PRS3020/203984799?mtc=Shopping-B-F_D25T-G-D25T-25_9_PORTABLE_POWER-Multi-NA-Feed-PLA-NA-NA-PortablePower_PLA&cm_mmc=Shopping-B-F_D25T-G-D25T-25_9_PORTABLE_POWER-Multi-NA-Feed-PLA-NA-NA-PortablePower_PLA-7170000034127218-58700003933021540-92700053252310110&gclid=Cj0KCQjwgJv4BRCrARIsAB17JI5nOdRPlYhvxxp9QyF7F5LyNN048xVPX7vI6Fe3iX5kYdeoAD2LELoArMMEALw_wcB&gclid=aw.ds; available at least Nov. 26, 2019, 10 pages.

* cited by examiner

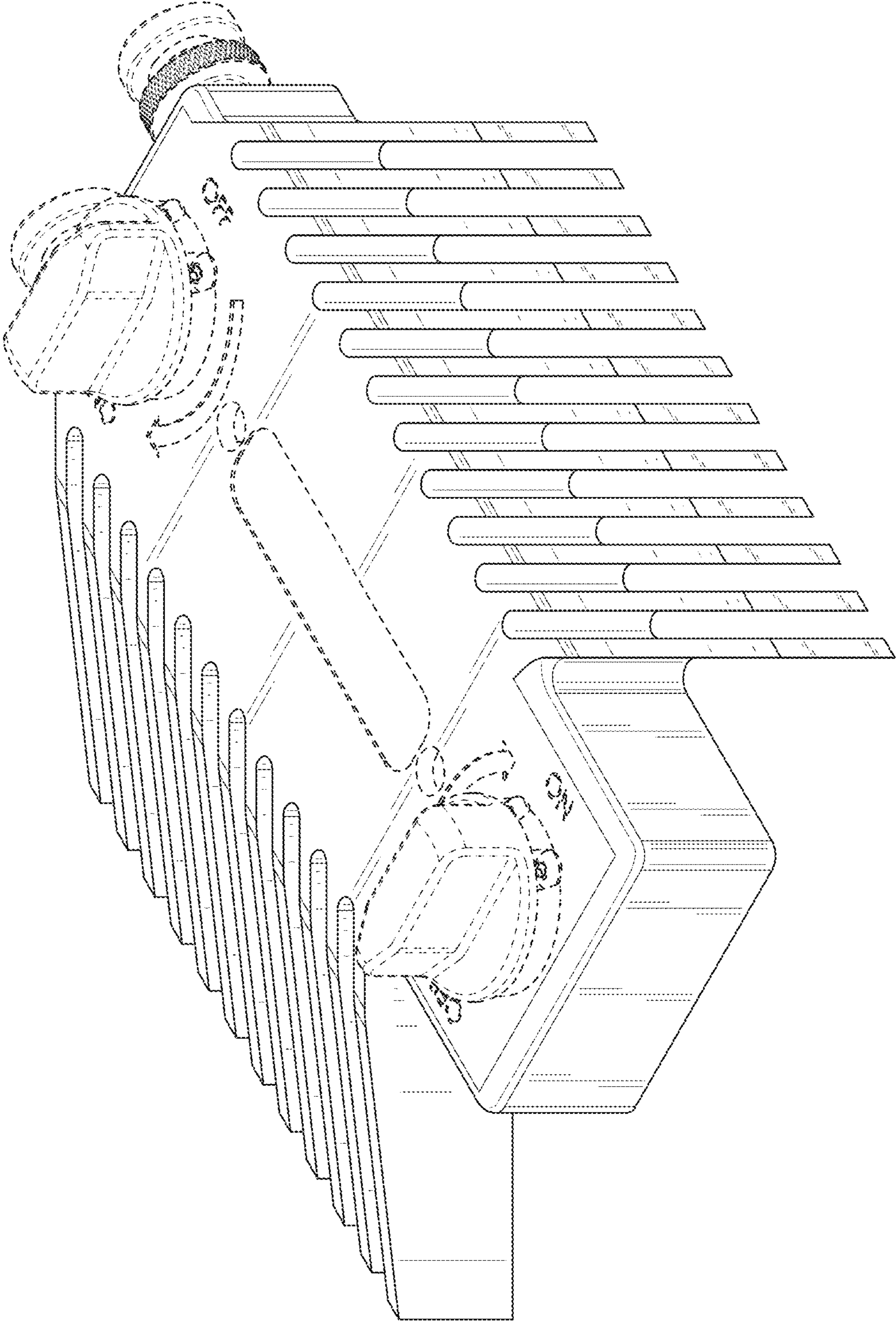


FIG. 1

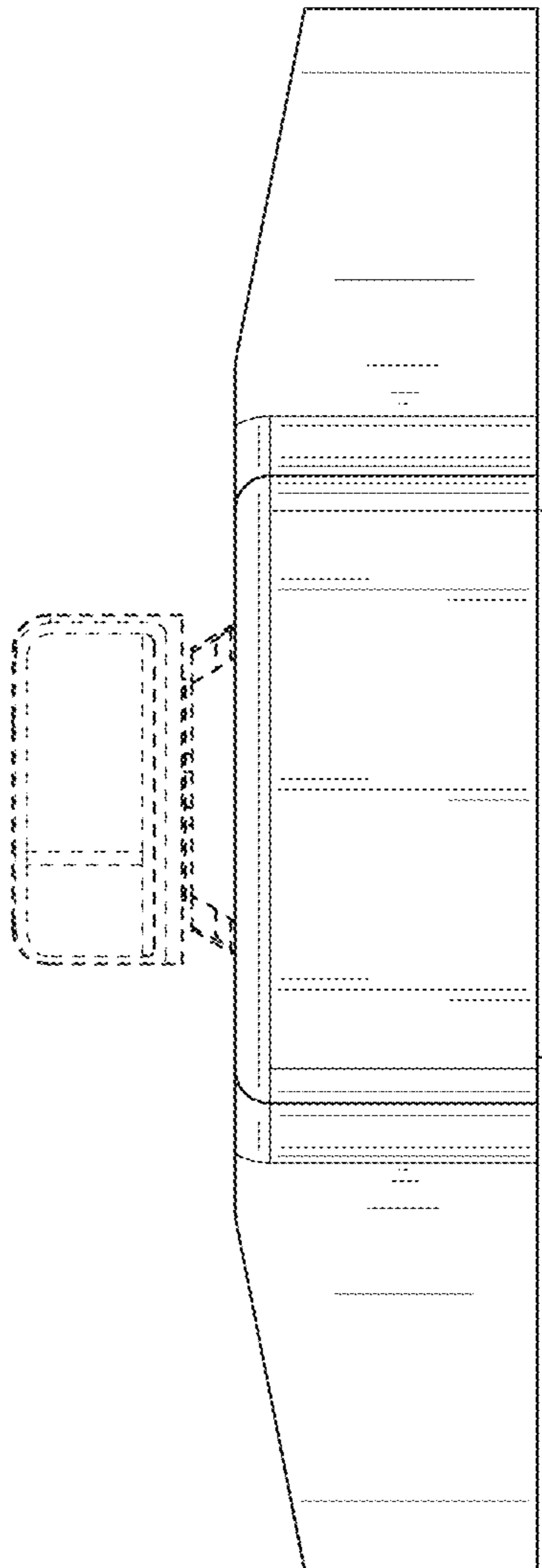


FIG. 2

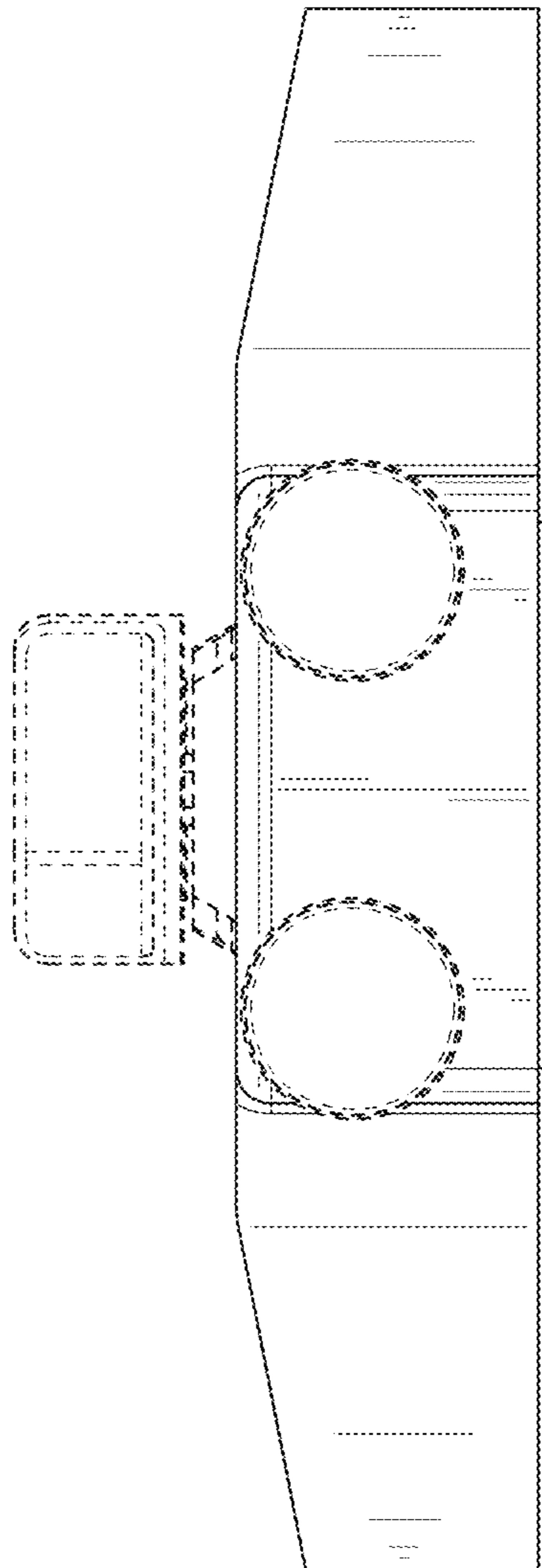


FIG. 3

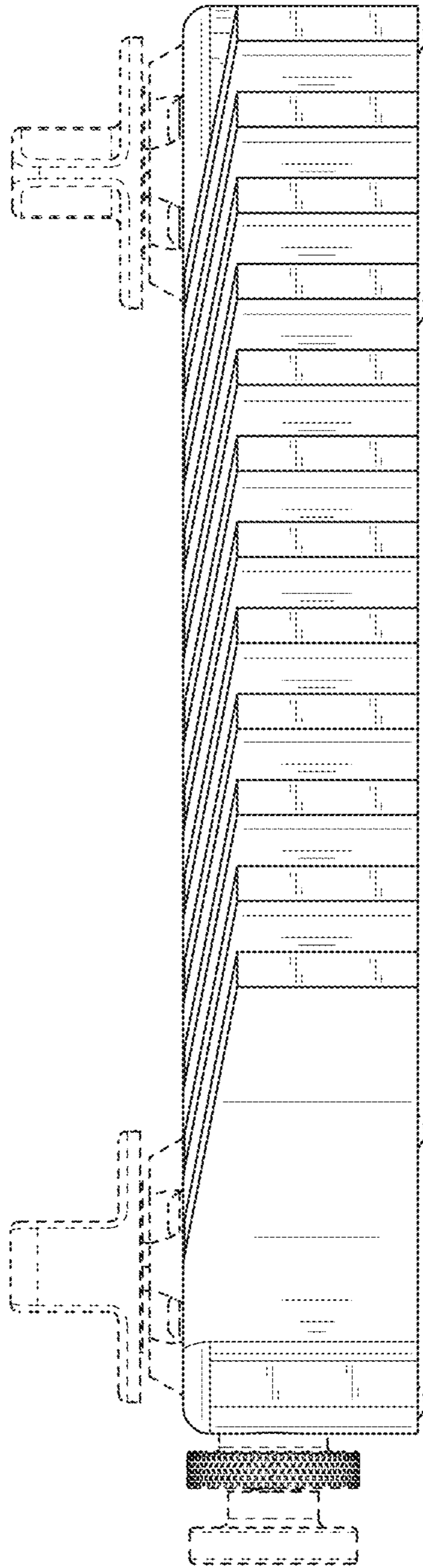


FIG. 4

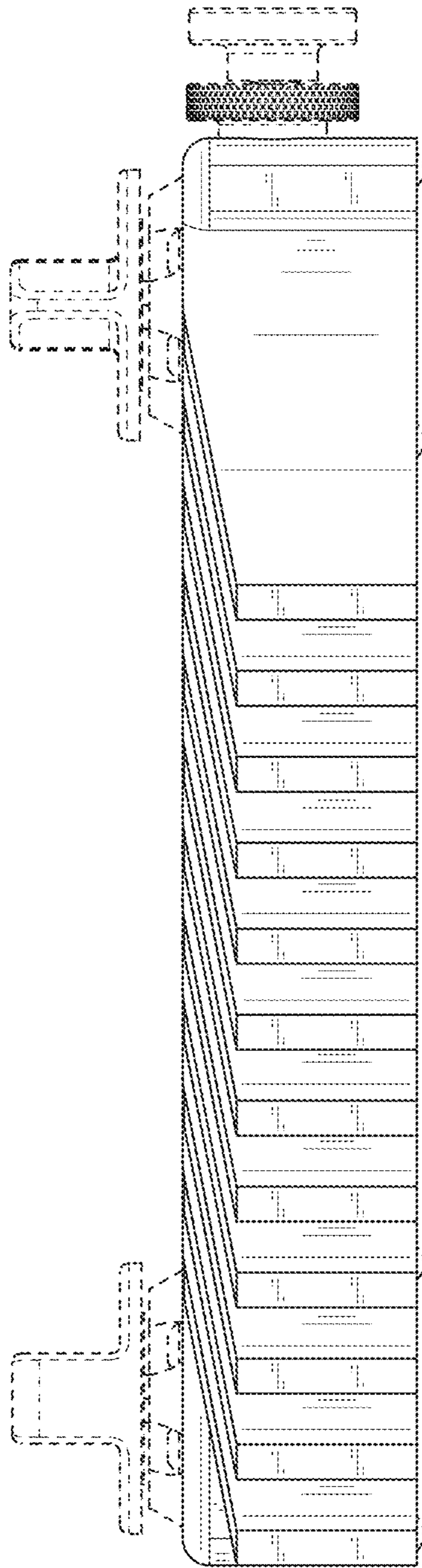


FIG. 5

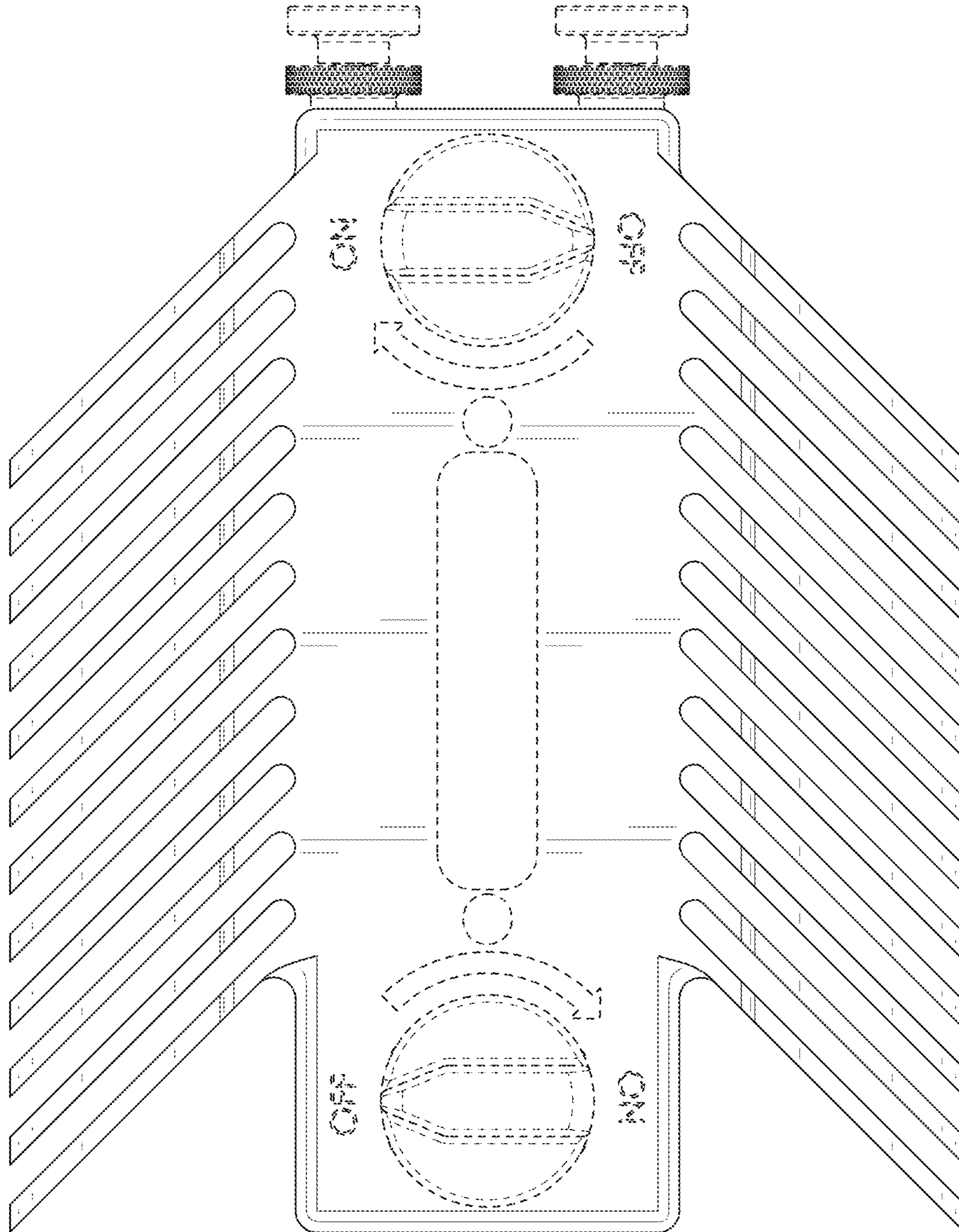


FIG. 6

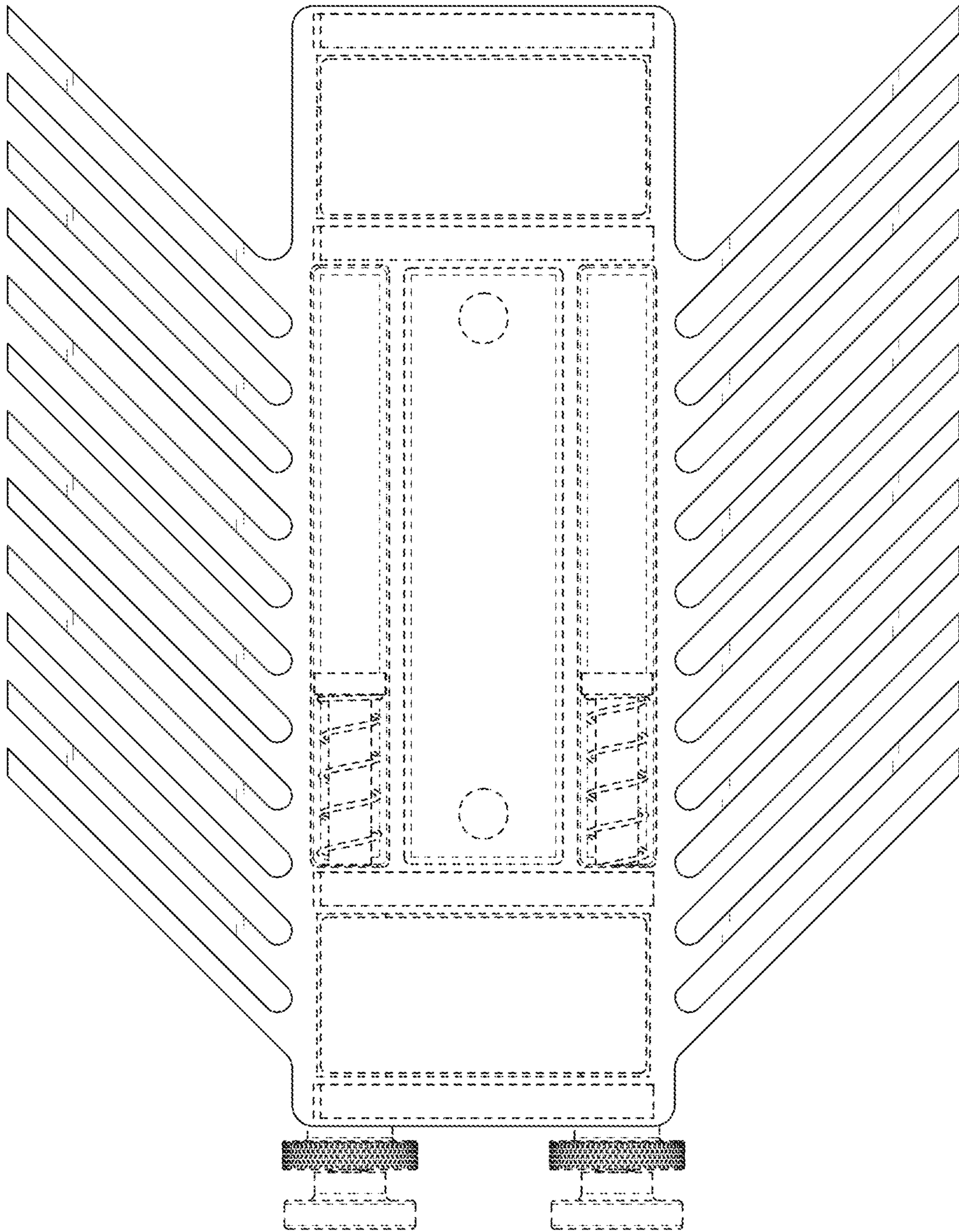


FIG. 7