



US00D965039S

(12) **United States Design Patent** (10) **Patent No.:** **US D965,039 S**
Hutchinson et al. (45) **Date of Patent:** **** Sep. 27, 2022**

(54) **WOOD SPLITTER**

FOREIGN PATENT DOCUMENTS

(71) Applicant: **Vaughan John Hutchinson**, Taranaki (NZ)

CH 379705 7/1964
DE 3100044 2/1982

(Continued)

(72) Inventors: **Ayla Hutchinson**, Taranaki (NZ);
Vaughan John Hutchinson, Taranaki (NZ)

OTHER PUBLICATIONS

(73) Assignee: **Vaughan John Hutchinson**, Taranaki (NZ)

Zlw-shop Firewood Kindling Splitter, available in Amazon.com, undated online product page, [May 25, 2022], Available from the internet URL: <https://www.amazon.com/zlw-shop-Firewood-Kindling-Splitter-V-Shaped/dp/B0948TSTNM> (Year: 2022).*

(**) Term: **15 Years**

(Continued)

(21) Appl. No.: **29/652,865**

(22) Filed: **Dec. 18, 2020**

Primary Examiner — Calvin E Vasant

Assistant Examiner — Eidiol Ghigliotty Torres

(74) *Attorney, Agent, or Firm* — Nixon & Vanderhye

Related U.S. Application Data

(62) Division of application No. 14/653,302, filed as application No. PCT/NZ2013/000239 on Dec. 19, 2013, now Pat. No. 10,906,202.

(30) **Foreign Application Priority Data**

Dec. 21, 2012 (NZ) 605133
Jul. 24, 2013 (NZ) 613551

(51) **LOC (13) Cl.** **15-03**

(52) **U.S. Cl.**
USPC **D15/133; D8/7**

(58) **Field of Classification Search**
USPC D15/133; D7/7, 76
CPC B27L 7/00; B27L 7/005; B27L 7/06; B27L 7/08

See application file for complete search history.

(56) **References Cited**

U.S. PATENT DOCUMENTS

508,221 A 11/1893 Hill
1,681,681 A 8/1928 Pigg
1,830,769 A 11/1931 Rothermel
2,046,396 A 7/1933 Matter et al.

(Continued)

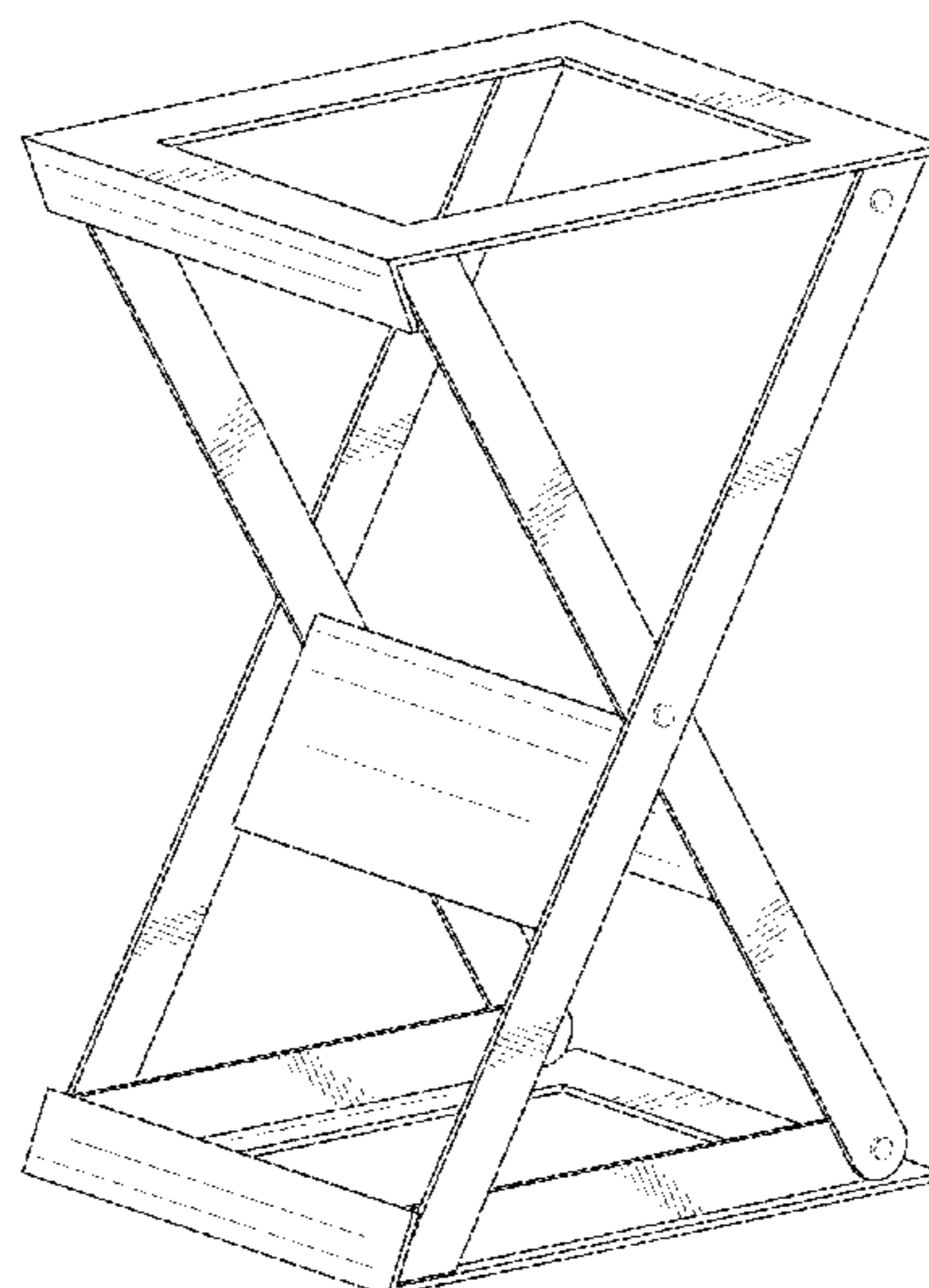
(57) **CLAIM**

The ornamental design for a wood splitter, as shown and described.

DESCRIPTION

FIG. 1 is a front, left side and top perspective view of a wood splitter showing the new design;
FIG. 2 is a front elevation view thereof;
FIG. 3 is a rear elevation view thereof;
FIG. 4 is a top plan view thereof;
FIG. 5 is a bottom plan view thereof;
FIG. 6 is a left side elevation view thereof;
FIG. 7 is a right side elevation view thereof; and,
FIG. 8 is a left side, rear, and top perspective vice thereof.
The broken lines shown in the drawings illustrate portions of the wood splitter that form no part of the claimed design.

1 Claim, 8 Drawing Sheets



(56)

References Cited

U.S. PATENT DOCUMENTS

2,203,632 A 6/1940 Munsun et al.
 2,613,661 A 10/1950 Huber
 2,646,955 A 7/1953 Russell
 2,851,072 A 9/1958 Gerjets et al.
 2,852,053 A 9/1958 Berry et al.
 3,026,865 A 3/1962 Sunada
 3,100,481 A 8/1963 Stefanick
 3,802,473 A 4/1974 Carr
 3,886,927 A 6/1975 Chattin
 3,924,501 A 12/1975 Cohen
 3,982,572 A 9/1976 Kortendick
 4,102,373 A 7/1978 Winiasz
 4,239,198 A 12/1980 Trupp
 4,244,407 A 1/1981 McMullin
 4,268,273 A 5/1981 Schneider et al.
 4,362,194 A 12/1982 Lawson
 4,377,190 A 3/1983 Pierrat
 4,378,037 A * 3/1983 Conn B27L 7/06
 144/195.7
 4,453,580 A 6/1984 Patten
 4,535,980 A 8/1985 Jordan
 D294,994 S 3/1988 Burgett
 4,782,867 A 11/1988 Forsyth
 4,782,868 A 11/1988 Coller
 4,800,937 A 1/1989 Mangus, Sr.
 5,245,902 A 9/1993 Pereira
 5,520,105 A 5/1996 Healy
 5,575,319 A 11/1996 Chick
 6,092,572 A 7/2000 Green
 6,112,784 A 9/2000 Lough
 6,289,955 B1 9/2001 Wilhelm
 6,390,162 B1 5/2002 Sahlem
 6,453,958 B1 9/2002 Slavich
 6,546,976 B1 4/2003 Hill
 6,568,577 B2 5/2003 Baird et al.
 6,601,746 B2 8/2003 Buckley et al.
 6,886,551 B2 5/2005 Scherer et al.
 D516,860 S * 3/2006 Nipke D7/403
 7,096,901 B2 8/2006 Brazzola
 7,107,982 B1 9/2006 Lechner
 7,243,826 B2 7/2007 Darst
 7,556,072 B2 7/2009 Koch, Jr.

7,587,968 B1 9/2009 Roberts
 7,954,484 B2 6/2011 Snell
 8,668,000 B2 3/2014 Carrillo
 8,689,778 B1 4/2014 Flo res
 D817,123 S * 5/2018 Johnsen D8/7
 D925,998 S * 7/2021 Baron D8/7
 2005/0016629 A1 1/2005 Brazzola
 2008/0073361 A1 3/2008 Brouard

FOREIGN PATENT DOCUMENTS

DE 202004017096 U1 3/2005
 DE 102008016470 A1 10/2009
 EP 1886779 A1 2/2008
 GB 258069 9/1926
 LU 28693 A 12/1947
 WO WO2012069801 A1 5/2012

OTHER PUBLICATIONS

Conich Log, Firewood & Kindling Splitter, available in Amazon.com, undated online product page, [May 25, 2022], Available from the internet URL: <https://www.amazon.com/Conich-Log-Firewood-Kindling-Splitter/dp/B09VF19618>> (Year: 2022).*

How to Make a Kindling Splitter, available in instructables.com, available Apr. 24, 2017 [online], [site visited May 25, 2022], Internet URL: <https://www.instructables.com/How-to-Make-a-Log-Splitter-Kindling-Splitter/> (Year: 2017).*

European Patent Office, Office Action dated Apr. 3, 2018; co-pending EPO Application No. 13 865 731.7.

Republic of China Office Action; Application No. 201380067060.9. Extended European Search Report (EESR) dated Aug. 17, 2016; Application No. 13865731.7.

International Search Report PCT/NZ2013/000239 dated Feb. 20, 2014.

European Patent Office, Office Action dated Nov. 21, 2018; co-pending EPO Application No. 13 865 731.7.

European Patent Office, Office Action dated Sep. 16, 2019; co-pending EPO Application No. 13 865 731.7.

* cited by examiner

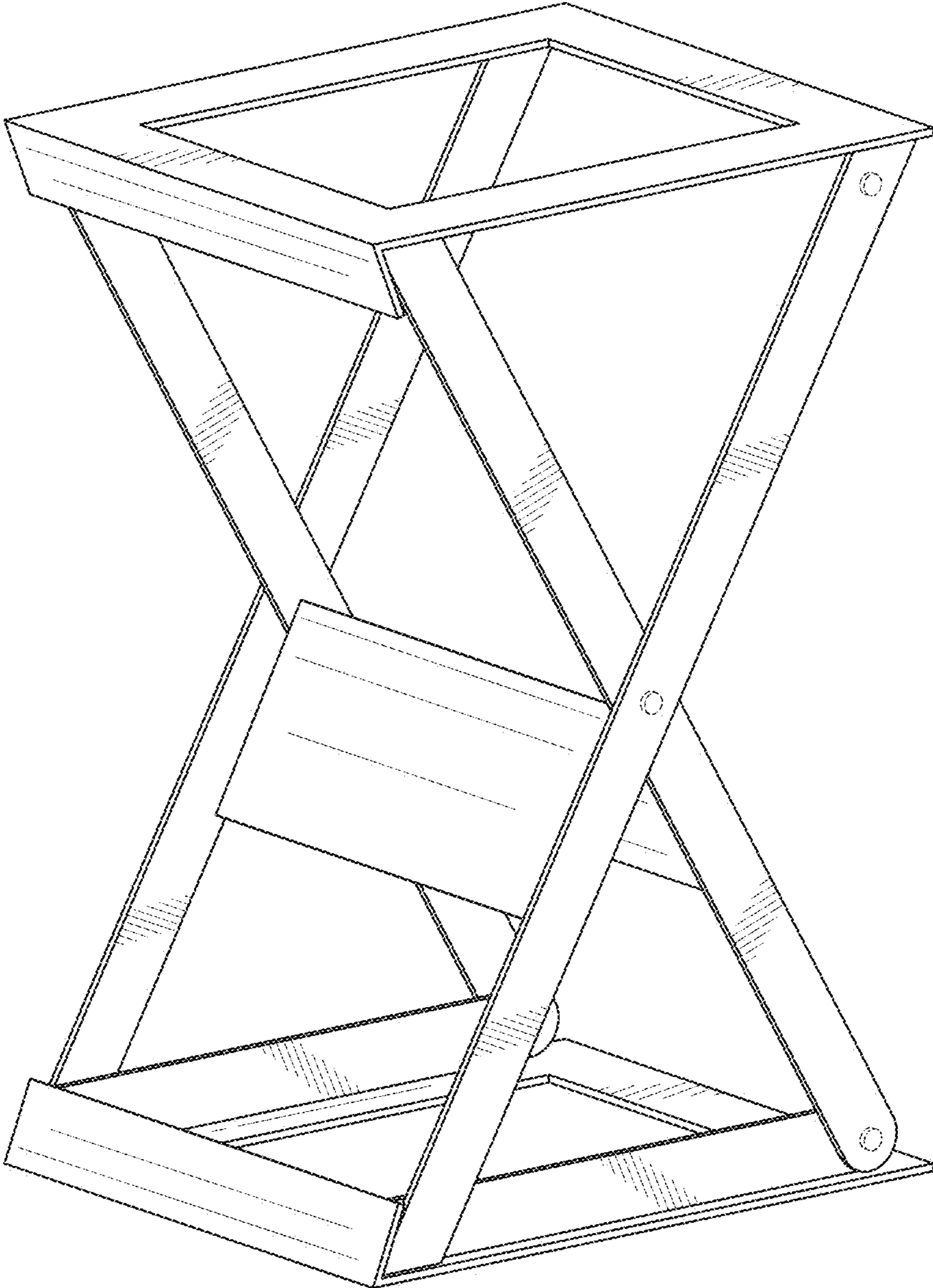


FIG. 1

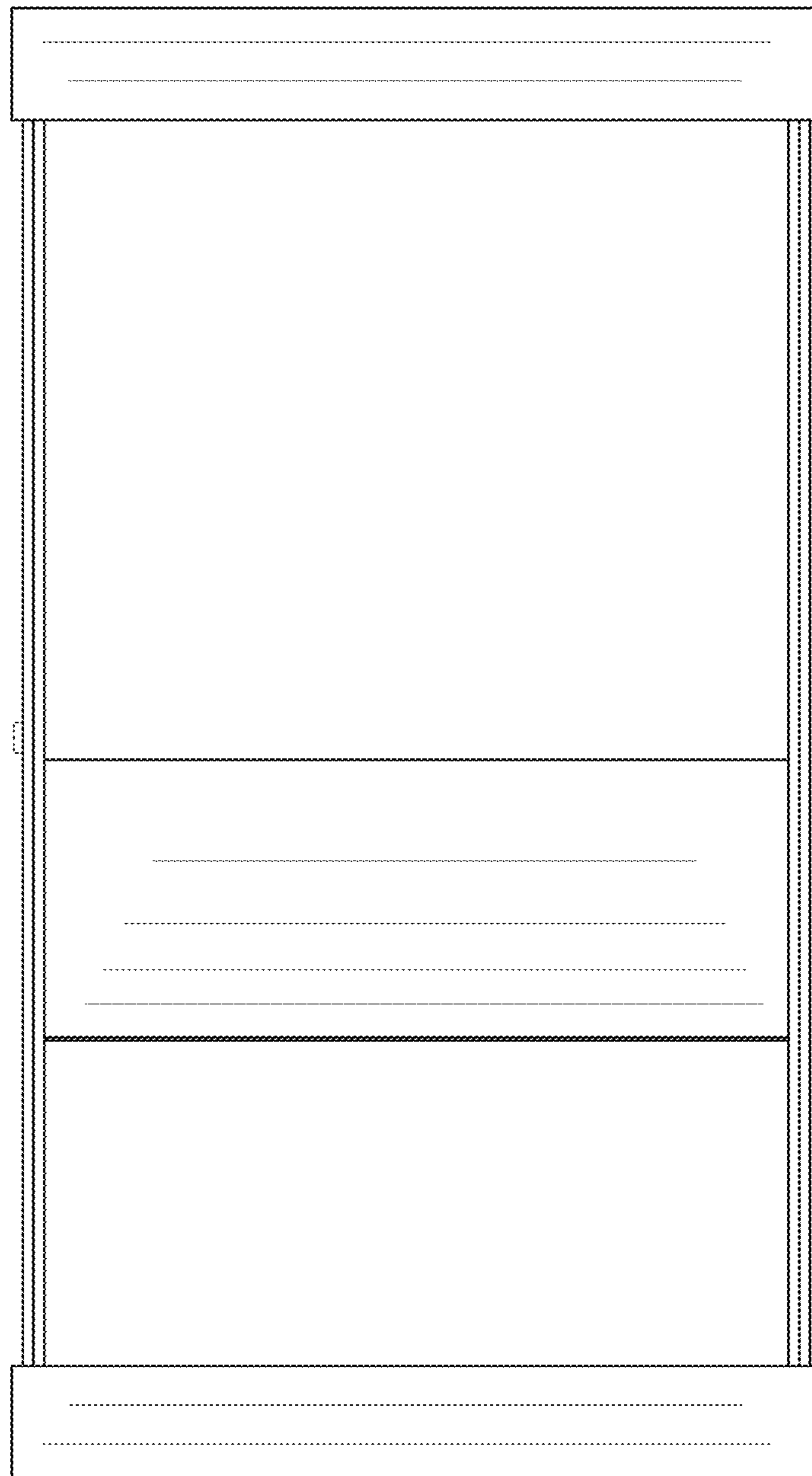


FIG. 2

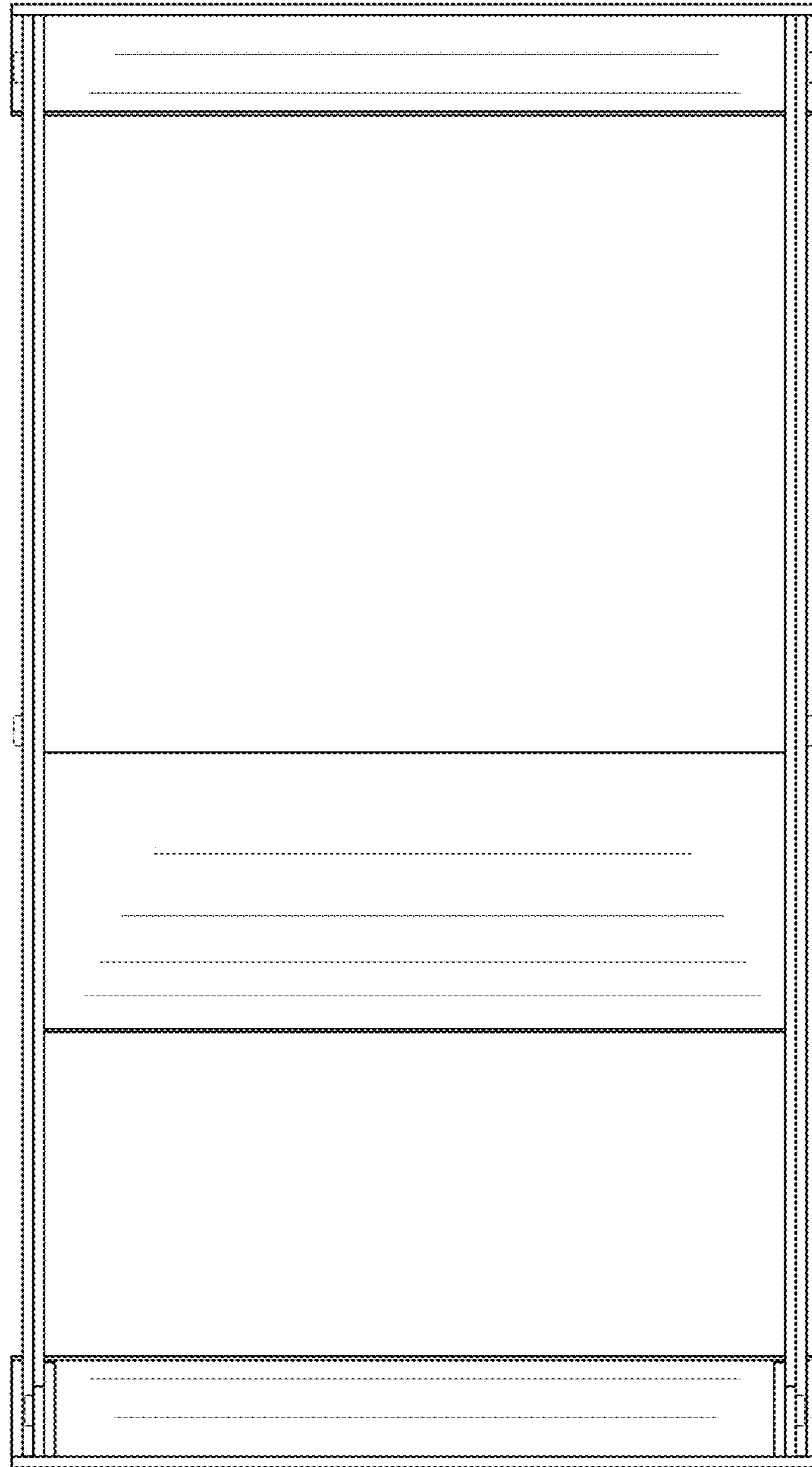


FIG. 3

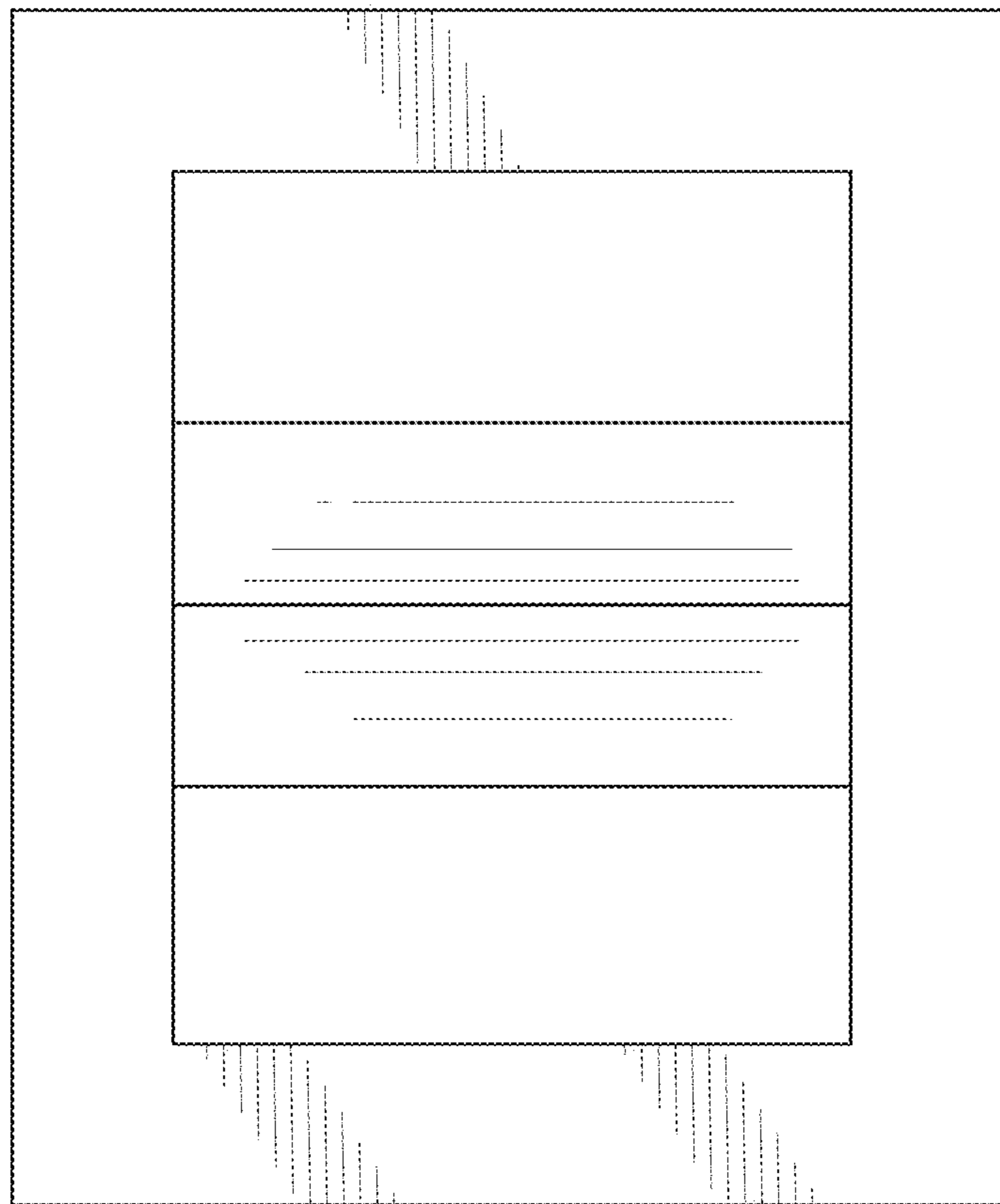


FIG. 4

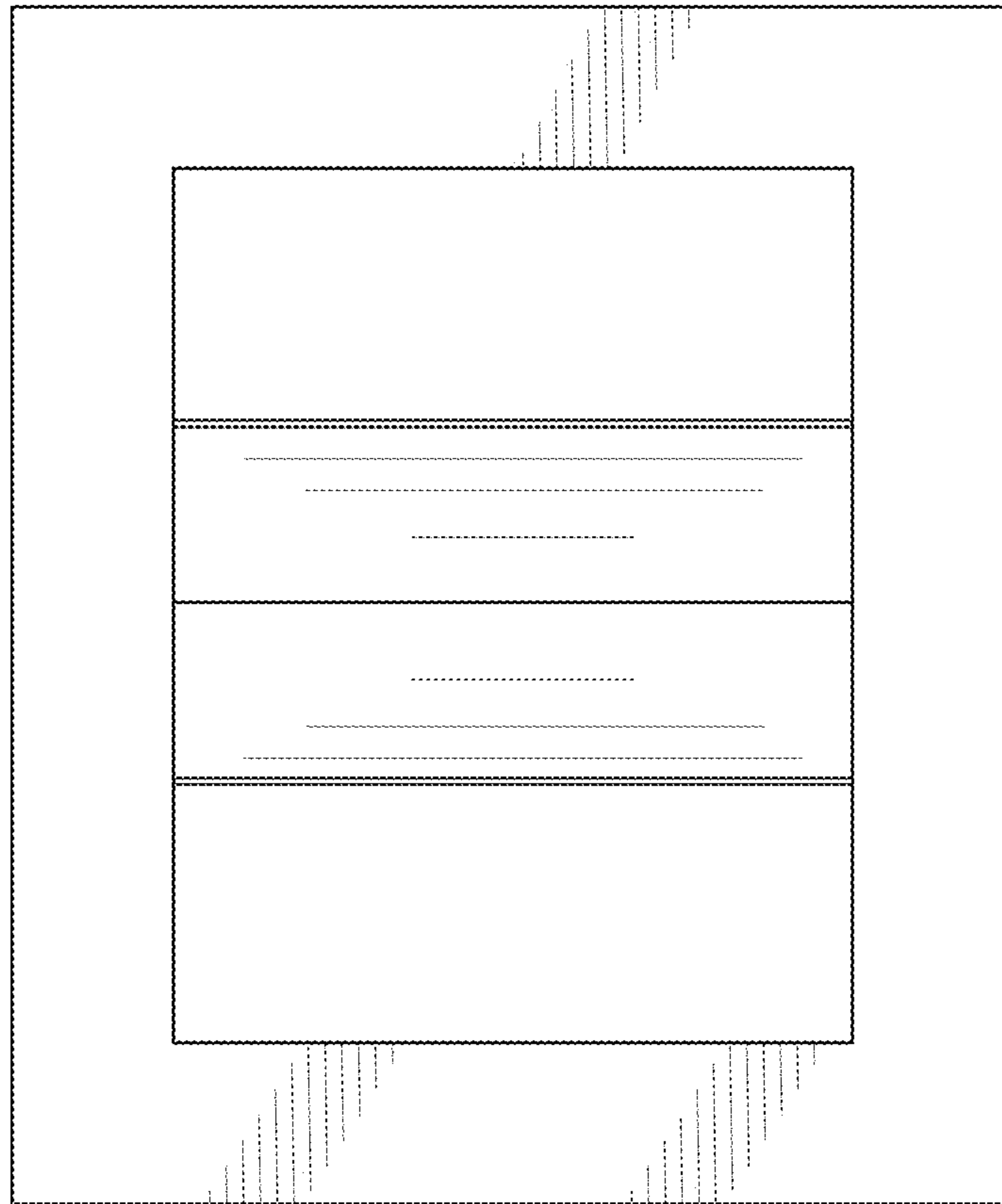


FIG. 5

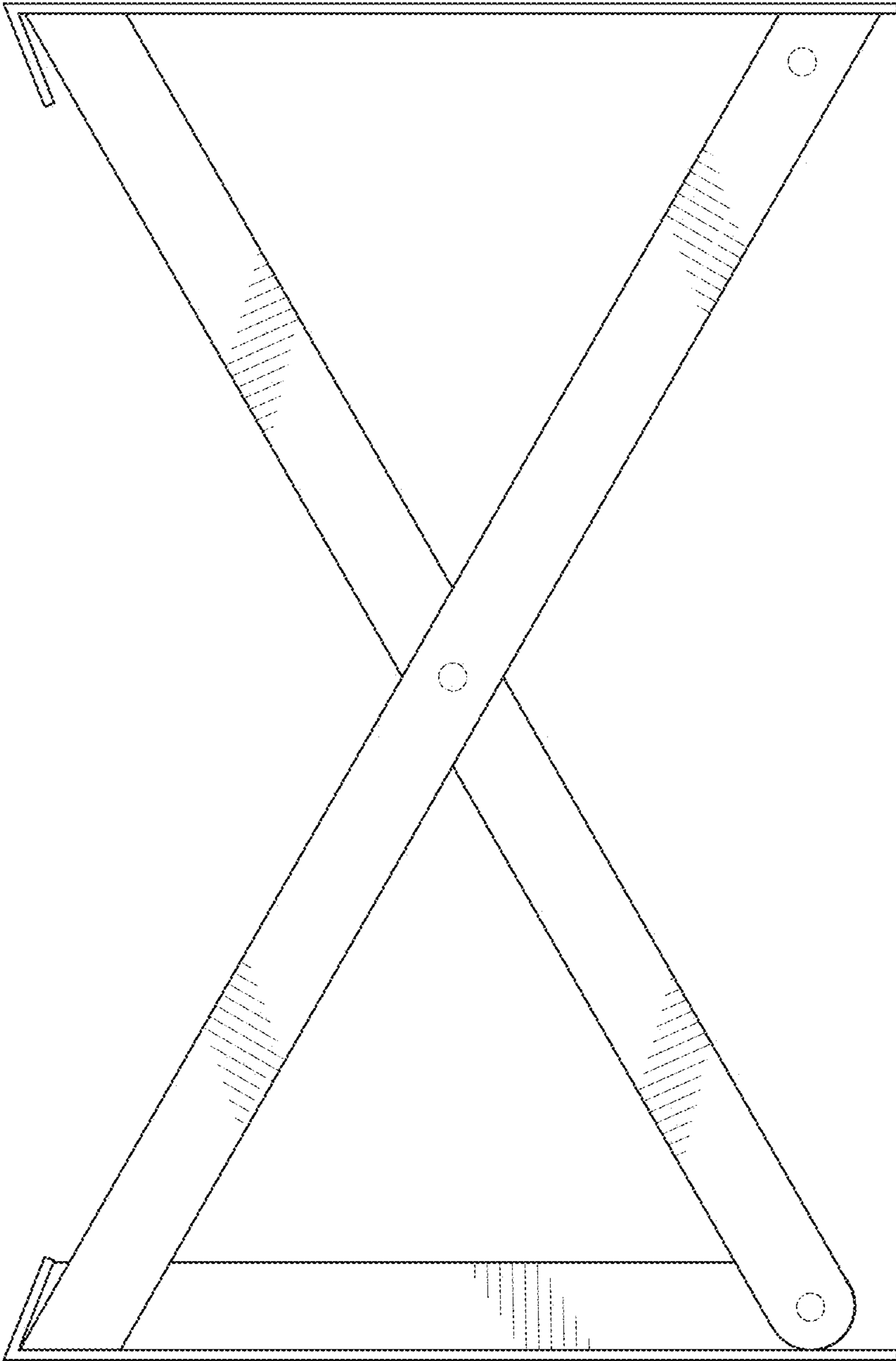


FIG. 6

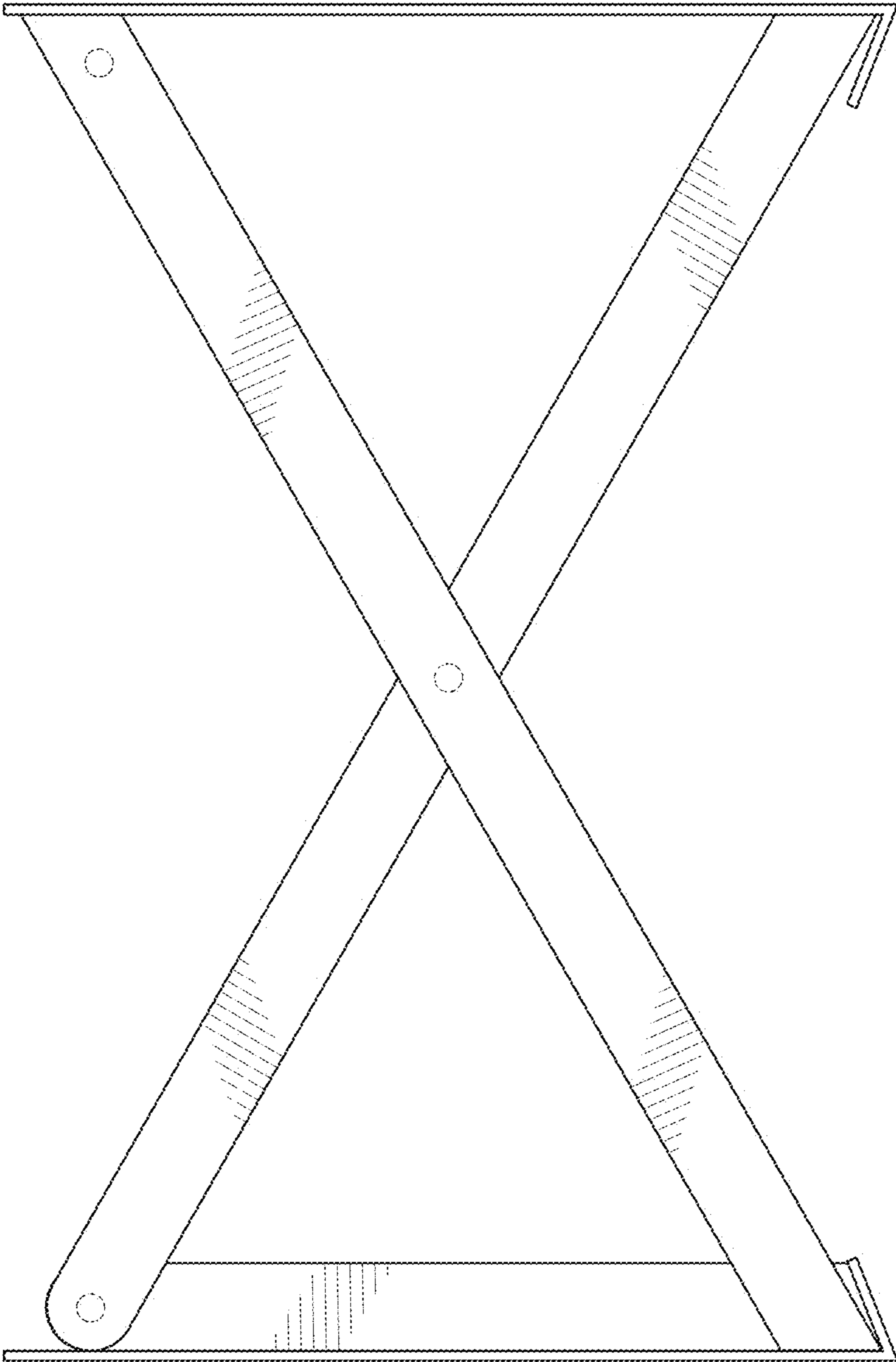


FIG. 7

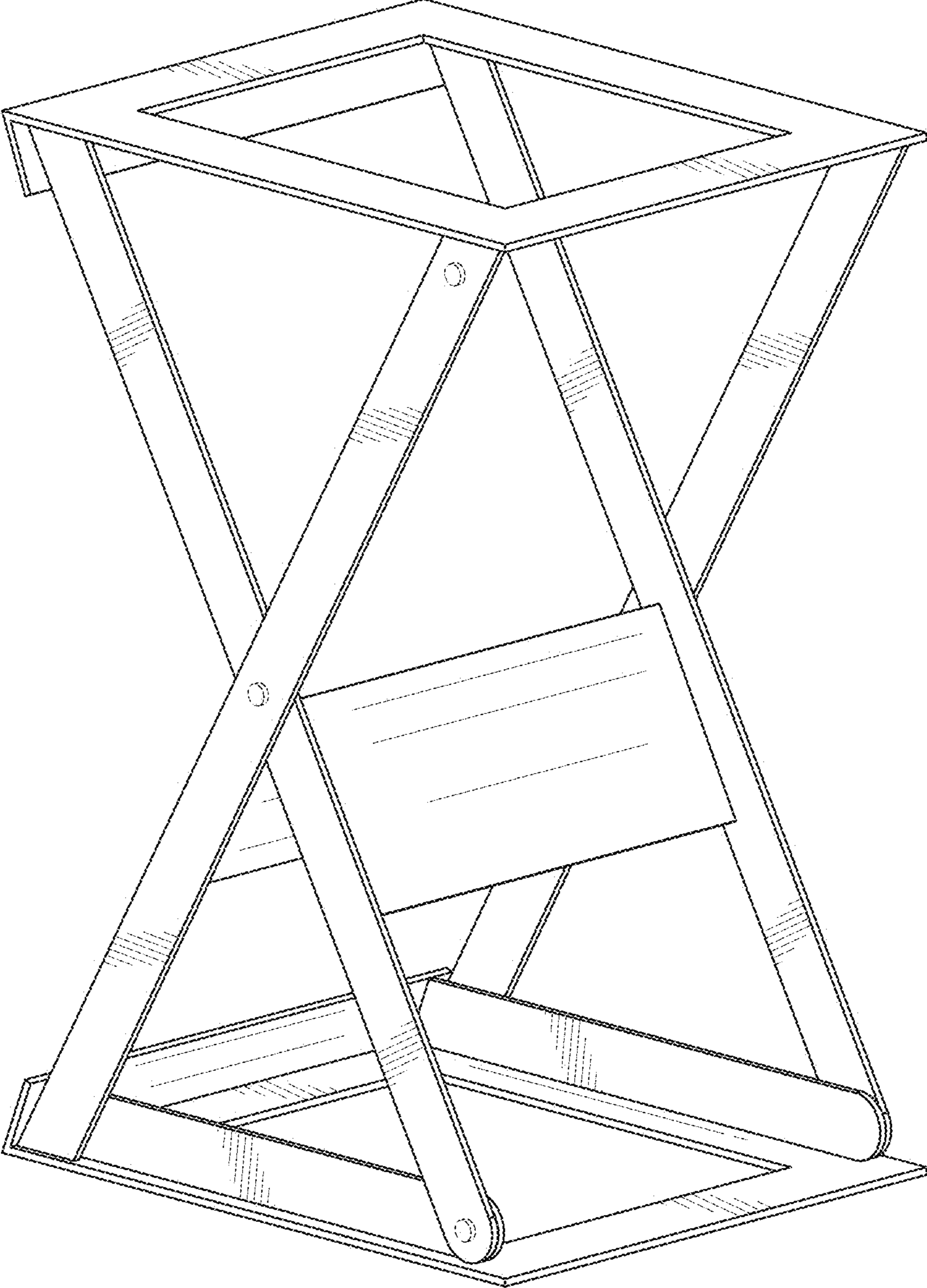


FIG. 8