



US00D965036S

(12) **United States Design Patent** (10) **Patent No.:** **US D965,036 S**  
**Gao** (45) **Date of Patent:** **\*\* Sep. 27, 2022**

(54) **VEGETABLE BASKET**  
(71) Applicant: **SHENZHEN XI AO SI TECHNOLOGY CO., LTD.**, Shenzhen (CN)  
(72) Inventor: **Bingtao Gao**, Jieyang (CN)  
(73) Assignee: **SHENZHEN XI AO SI TECHNOLOGY CO., LTD.**, Shenzhen (CN)  
(\*\*) Term: **15 Years**  
(21) Appl. No.: **29/805,824**  
(22) Filed: **Aug. 30, 2021**  
(51) **LOC (13) Cl.** ..... **15-07**  
(52) **U.S. Cl.**  
USPC ..... **D15/89**  
(58) **Field of Classification Search**  
USPC ..... D15/79-91  
See application file for complete search history.

D709,929 S \* 7/2014 Corlew ..... D15/89  
D710,406 S \* 8/2014 Seo ..... D15/89  
D711,943 S \* 8/2014 Park ..... D15/89  
D723,073 S \* 2/2015 Lee ..... D15/89  
D745,581 S \* 12/2015 Jeon ..... D15/89  
D751,318 S \* 3/2016 Kraemer ..... D6/525  
D766,675 S \* 9/2016 Schlegel et al.  
D787,567 S \* 5/2017 Harvey ..... D15/89  
D788,191 S \* 5/2017 Kim ..... D15/89  
D792,562 S \* 7/2017 Ali  
D800,802 S \* 10/2017 Maeda ..... D15/89  
D822,723 S \* 7/2018 Onrat ..... D15/89  
D828,409 S \* 9/2018 Choi ..... F25D 25/02  
D15/89  
D828,411 S \* 9/2018 Choi ..... F25D 25/02  
D15/89  
D846,602 S \* 4/2019 On ..... D15/89  
D852,539 S \* 7/2019 Nilssen ..... D15/89  
D876,498 S \* 2/2020 Kim ..... F25D 11/00  
D15/89  
D890,820 S \* 7/2020 Lambright ..... D15/89  
D906,378 S \* 12/2020 Fidler ..... D15/89

(Continued)

Primary Examiner — Khawaja Anwar

(57) **CLAIM**

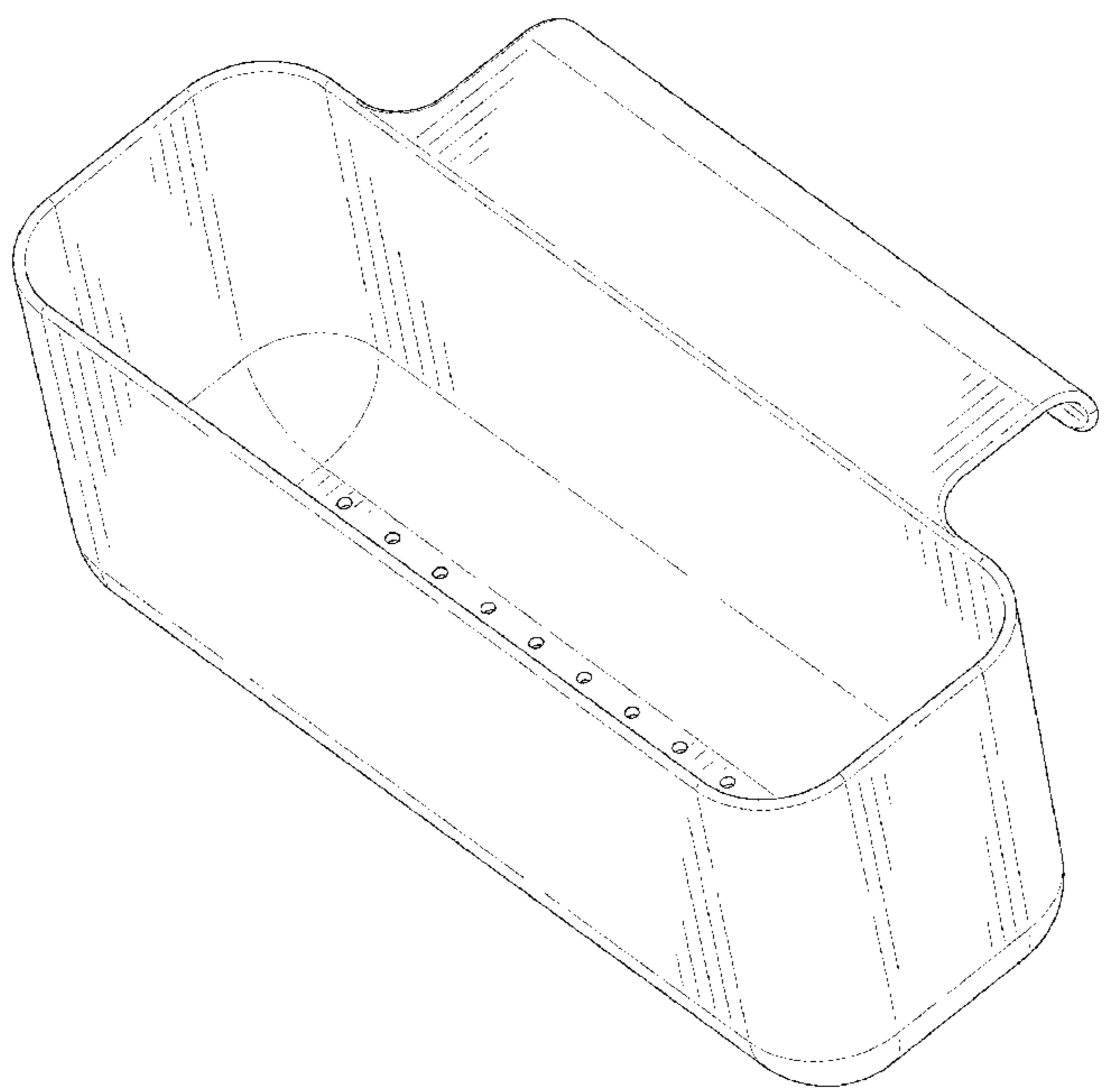
The ornamental design for a vegetable basket, as shown and described.

**DESCRIPTION**

FIG. 1 is a perspective view of a vegetable basket showing my new design;  
FIG. 2 is another perspective view thereof;  
FIG. 3 is a front elevational view thereof;  
FIG. 4 is a rear elevational view thereof;  
FIG. 5 is a left side elevational view thereof;  
FIG. 6 is a right side elevational view thereof;  
FIG. 7 is a top plan view thereof; and,  
FIG. 8 is a bottom plan view thereof.

**1 Claim, 8 Drawing Sheets**

(56) **References Cited**  
U.S. PATENT DOCUMENTS  
2,077,348 A \* 4/1937 Gaston ..... F25B 39/024  
D15/89  
D344,739 S \* 3/1994 Edman ..... D15/89  
D385,287 S \* 10/1997 Westcott ..... D15/89  
D483,046 S \* 12/2003 Becke ..... D15/89  
D490,091 S \* 5/2004 Quinlan ..... D15/89  
D511,179 S \* 11/2005 Tunzi ..... D15/89  
D513,757 S \* 1/2006 Grobleben ..... D15/89  
D515,114 S \* 2/2006 Grobleben ..... D15/89  
D603,883 S \* 11/2009 Placke ..... D15/89  
D669,506 S \* 10/2012 Czach ..... D15/89  
D692,034 S \* 10/2013 Seo ..... D15/89  
D709,927 S \* 7/2014 Park ..... D15/89  
D709,928 S \* 7/2014 Park ..... D15/89



(56)

**References Cited**

U.S. PATENT DOCUMENTS

D921,717 S *	6/2021	Zhou .....	D15/89
D925,618 S *	7/2021	Incukur .....	D15/89
D930,717 S *	9/2021	Dai .....	D15/89
D942,229 S *	2/2022	Kraemer .....	D15/89

\* cited by examiner

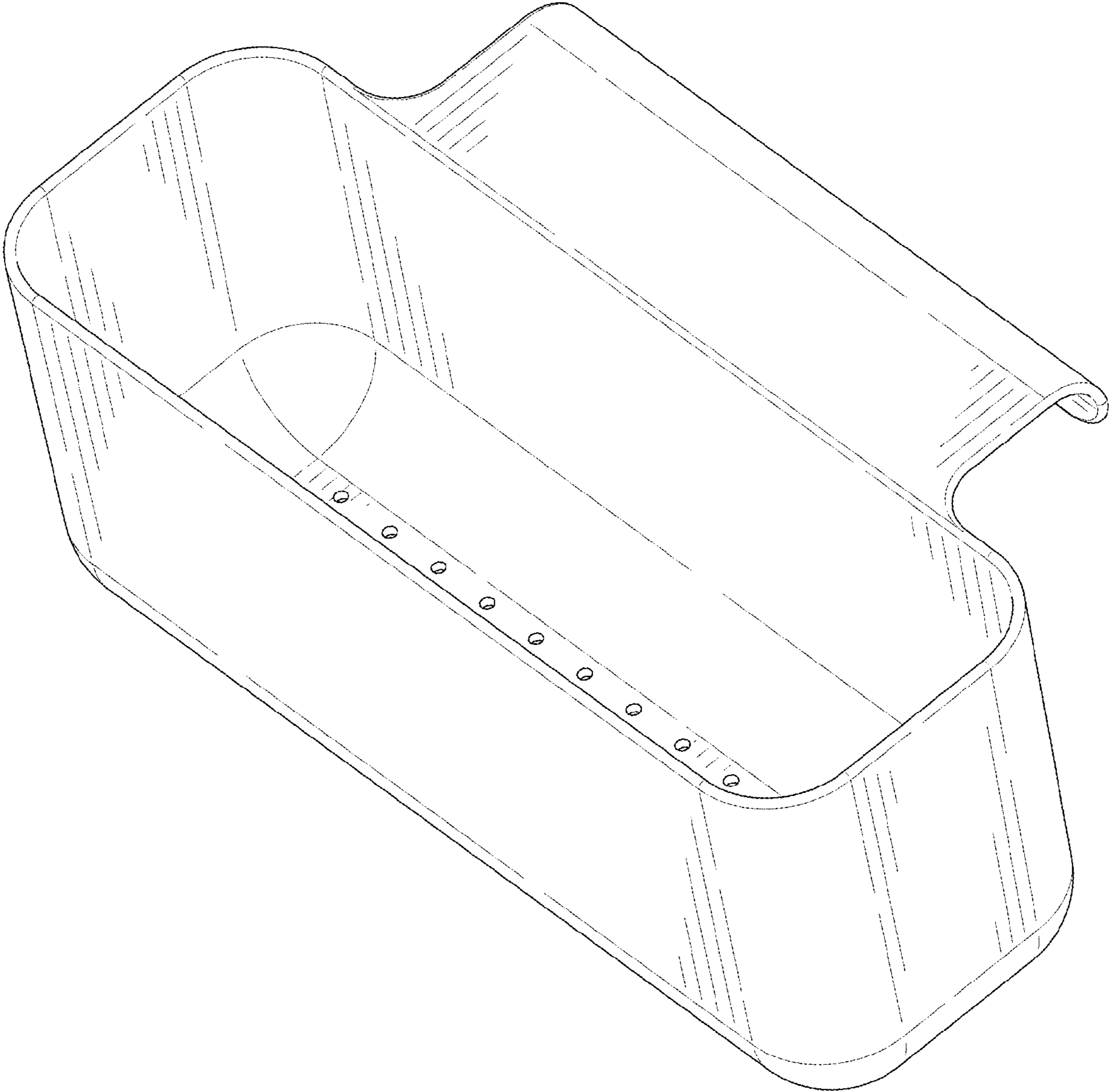


FIG. 1

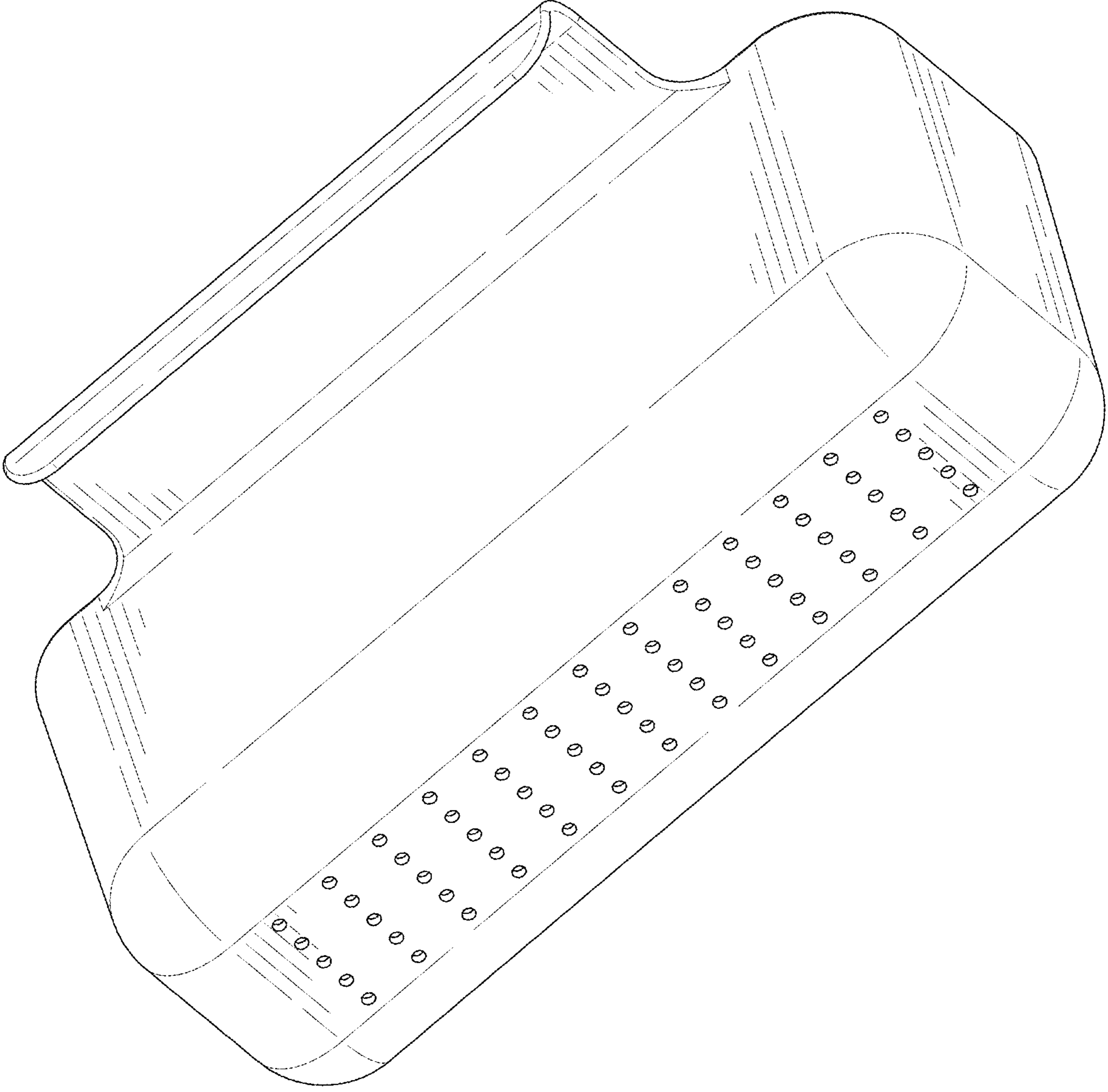


FIG. 2

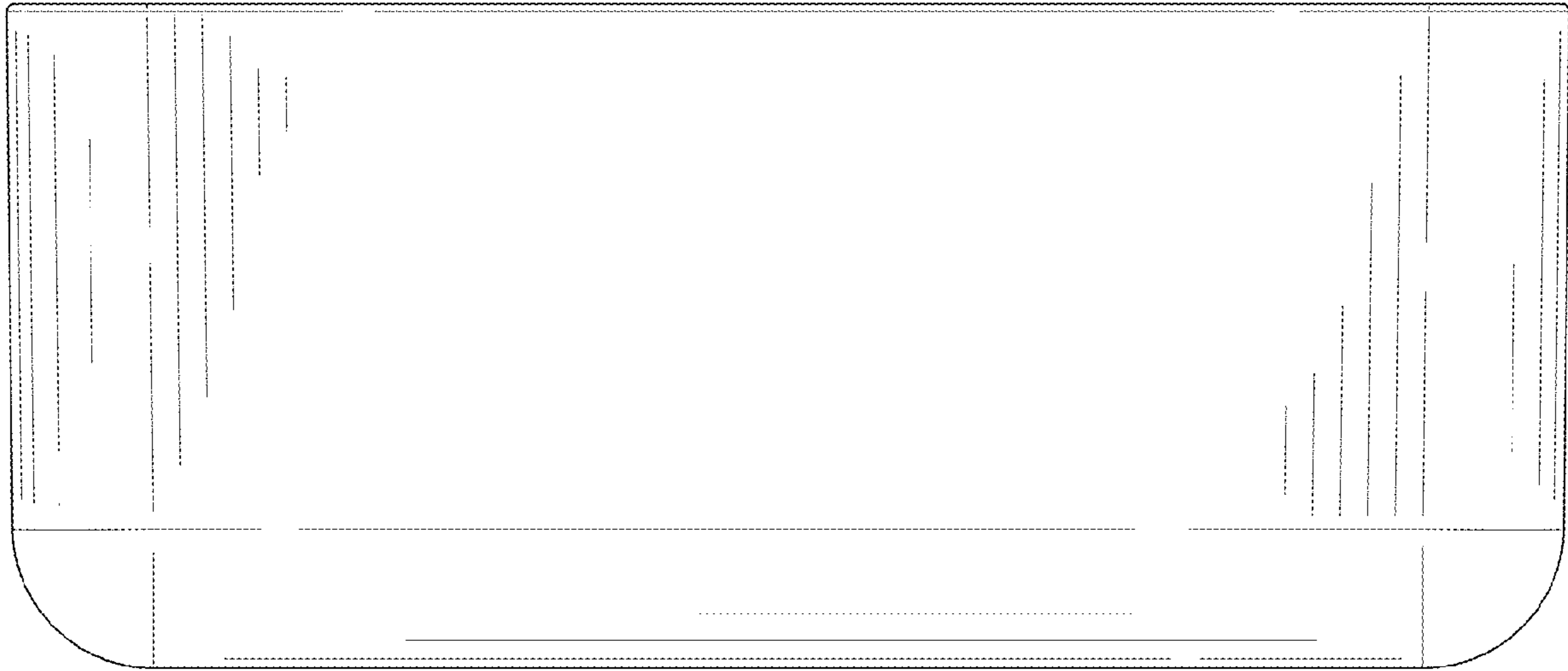


FIG. 3

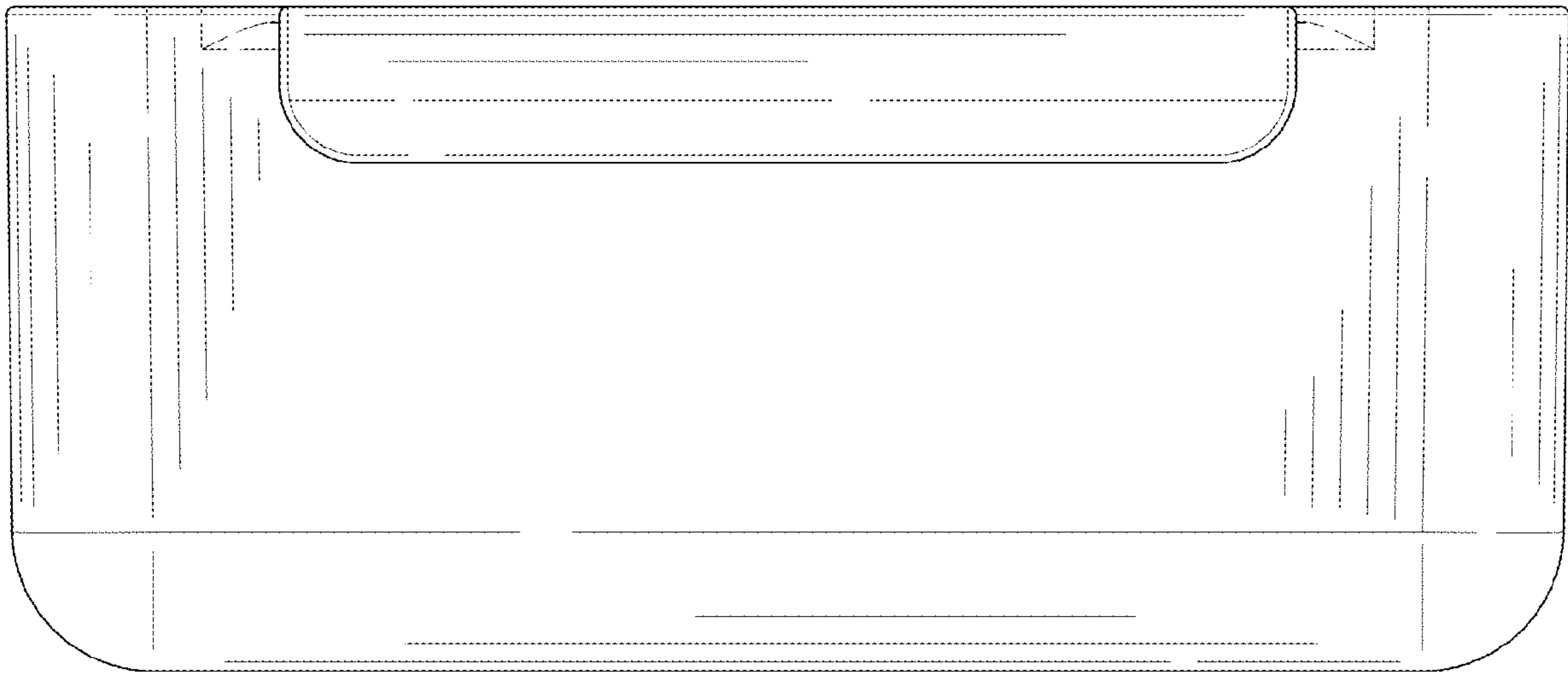


FIG. 4

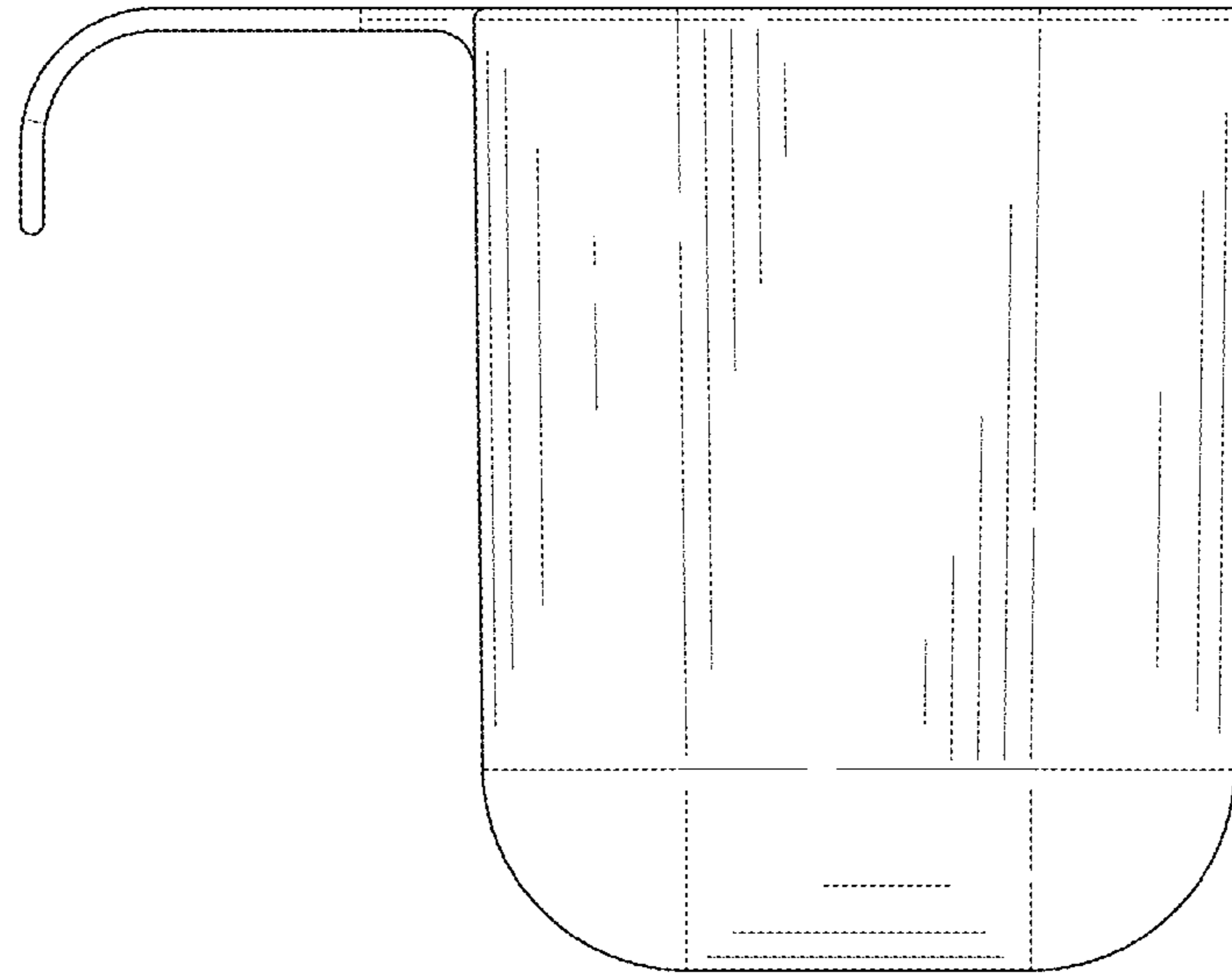


FIG. 5

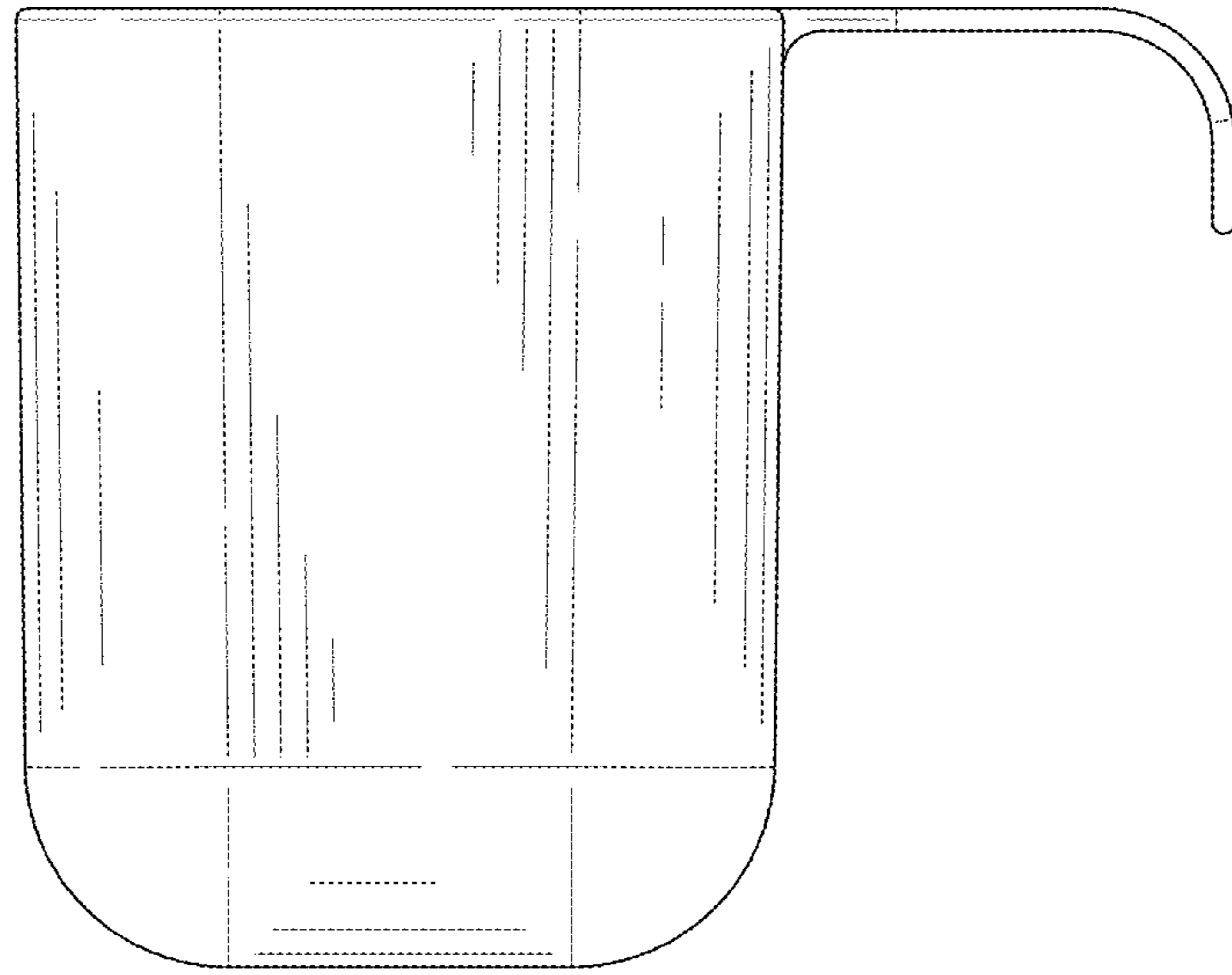


FIG. 6



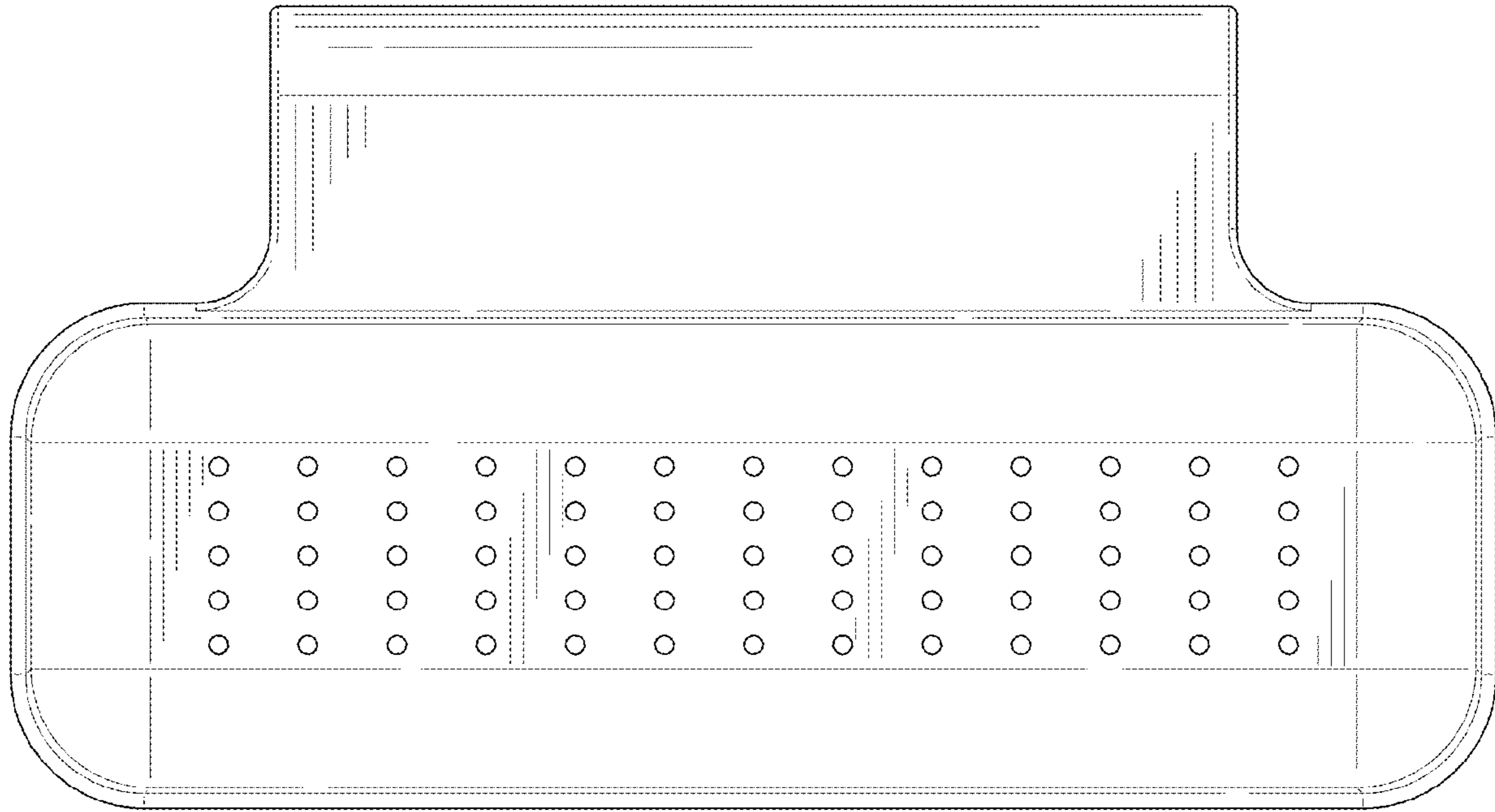


FIG. 7

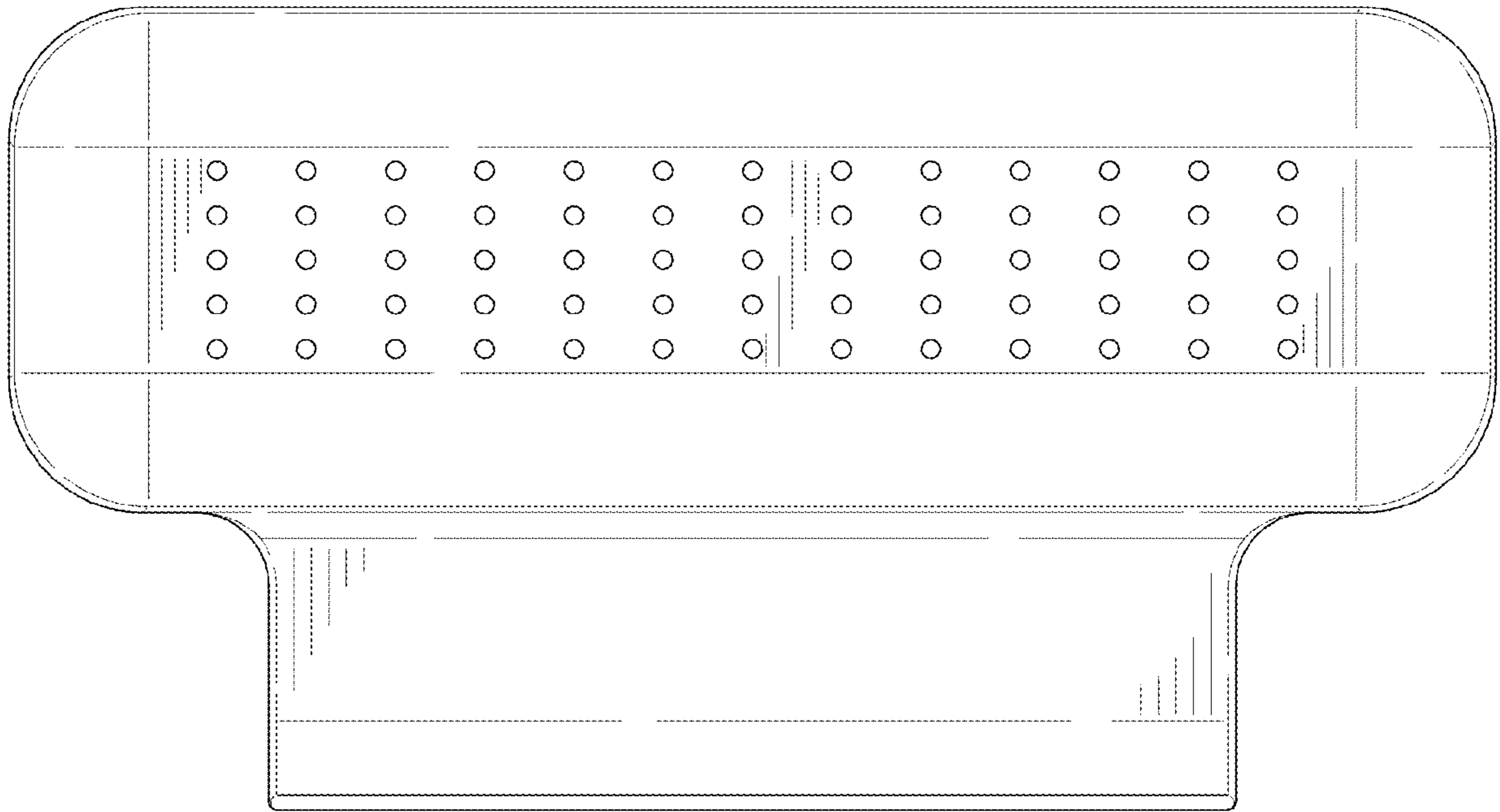


FIG. 8