



US00D965034S

(12) **United States Design Patent**  
**Deng et al.**

(10) **Patent No.:** **US D965,034 S**  
(45) **Date of Patent:** **\*\* Sep. 27, 2022**

(54) **PORTABLE REFRIGERATOR**

(71) Applicant: **GUANGZHOU DAOHE TECHNOLOGY CO., LTD.**,  
Guangzhou (CN)

(72) Inventors: **Tingliang Deng**, Guangzhou (CN);  
**Guangyang Li**, Guangzhou (CN)

(73) Assignee: **GUANGZHOU DAOHE TECHNOLOGY CO., LTD.**,  
Guangzhou (CN)

(\*\*) Term: **15 Years**

(21) Appl. No.: **29/841,333**

(22) Filed: **Jun. 6, 2022**

(51) **LOC (13) Cl.** ..... **15-07**

(52) **U.S. Cl.**  
USPC ..... **D15/81**

(58) **Field of Classification Search**  
USPC ..... D15/79-91; D7/347; D24/163, 217,  
D24/232, 231; D23/317, 335, 340, 355,  
D23/356, 364, 366  
CPC ..... F25D 2323/021; F25D 2323/024; F25D  
29/00; F25D 27/005; F25D 29/005; F25D  
17/042; F25D 2325/021; F25D 11/00;  
F25D 11/02; F25D 11/025; F25D 23/00;  
F25D 23/02; F25D 23/04; F25D 23/12;  
F25D 23/028; F25D 25/02; F25D 25/021;  
F25D 25/022; F25D 25/024; F25D  
25/025

See application file for complete search history.

(56) **References Cited**

**U.S. PATENT DOCUMENTS**

D343,676 S \* 1/1994 Lim ..... D23/335  
D456,499 S \* 4/2002 Ching ..... D23/335

(Continued)

**FOREIGN PATENT DOCUMENTS**

CN 3148090 \* 5/2000  
CN 303711186 \* 6/2016

(Continued)

**OTHER PUBLICATIONS**

Wagan, EL6214 12V Personal Thermoelectric Cooler/Warmer, (first available Mar. 3, 2015), Amazon.com, URL:<<https://www.amazon.com/Wagan-12V-Personal-Cooler-Warmer/dp/B00U6YTMRM>> (Year: 2015).\*

(Continued)

*Primary Examiner* — Calvin E Vansant

*Assistant Examiner* — Mark T. Philipps

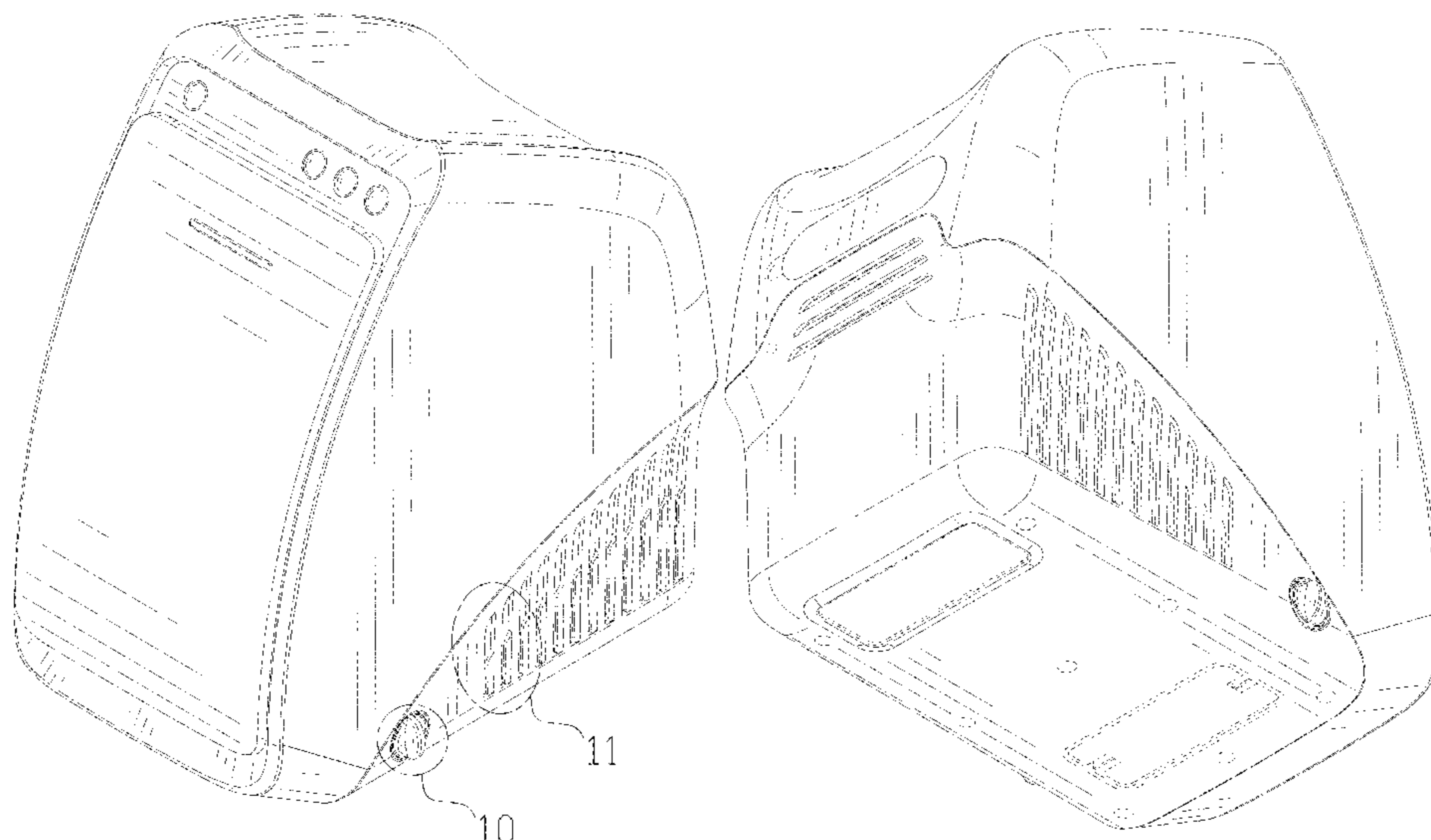
(57) **CLAIM**

The ornamental design for a portable refrigerator, as shown and described.

**DESCRIPTION**

FIG. 1 is a perspective view of a portable refrigerator showing our new design;  
FIG. 2 is another perspective view thereof;  
FIG. 3 is a front elevational view thereof;  
FIG. 4 is a rear elevational view thereof;  
FIG. 5 is a left side elevational view thereof;  
FIG. 6 is a right side elevational view thereof;  
FIG. 7 is a top plan view thereof;  
FIG. 8 is a bottom plan view thereof;  
FIG. 9 is a perspective view of the portable refrigerator where the portable refrigerator is in a configuration of use;  
FIG. 10 is an enlarged view of portion 10 shown in FIG. 1; and,  
FIG. 11 is an enlarged view of portion 11 shown in FIG. 1. The dash-dash broken lines in the drawings depict portions of the portable refrigerator that form no part of the claimed design. The dot-dash broken lines represent boundaries of the enlarged portions and form no part of the claimed design.

**1 Claim, 11 Drawing Sheets**



(56)

**References Cited**

## U.S. PATENT DOCUMENTS

D471,922 S \* 3/2003 Sawhney ..... D15/81  
D475,068 S \* 5/2003 Wang ..... D15/81  
D516,591 S \* 3/2006 Vanhoof ..... D15/81  
D556,310 S \* 11/2007 Gasper ..... D23/364  
D606,182 S \* 12/2009 Lee ..... D23/314  
D636,858 S \* 4/2011 Ediger ..... D23/335  
D674,412 S \* 1/2013 Woolford ..... D15/79  
D761,944 S \* 7/2016 Ediger ..... D23/332  
D826,996 S \* 8/2018 Feng ..... D15/91  
D876,492 S \* 2/2020 Egan ..... D15/81  
D880,540 S 4/2020 Xie et al.  
D896,856 S \* 9/2020 Zhou ..... D15/81  
D952,701 S 5/2022 Shi et al.

## FOREIGN PATENT DOCUMENTS

CN 305125583 \* 4/2019  
GB 6212289 \* 2/2022

## OTHER PUBLICATIONS

Comfort Zone, CZ442E Personal Ceramic Energy Save Heater, (site visited Aug. 2, 2022), Amazon.com, URL:<<https://www.amazon.com/Comfort-Zone-CZ442E-Adjustable-Thermostat/dp/B08KJPHVPP>> (Year: 2022).\*

Euhomy, Mini fridge for bedroom, (first available Apr. 9, 2021), Amazon.com, URL:<<https://www.amazon.com/Euhomy-bedroom-Portable-Electric-cosmetics/dp/B09242X3WN>> (Year: 2015).\*

\* cited by examiner

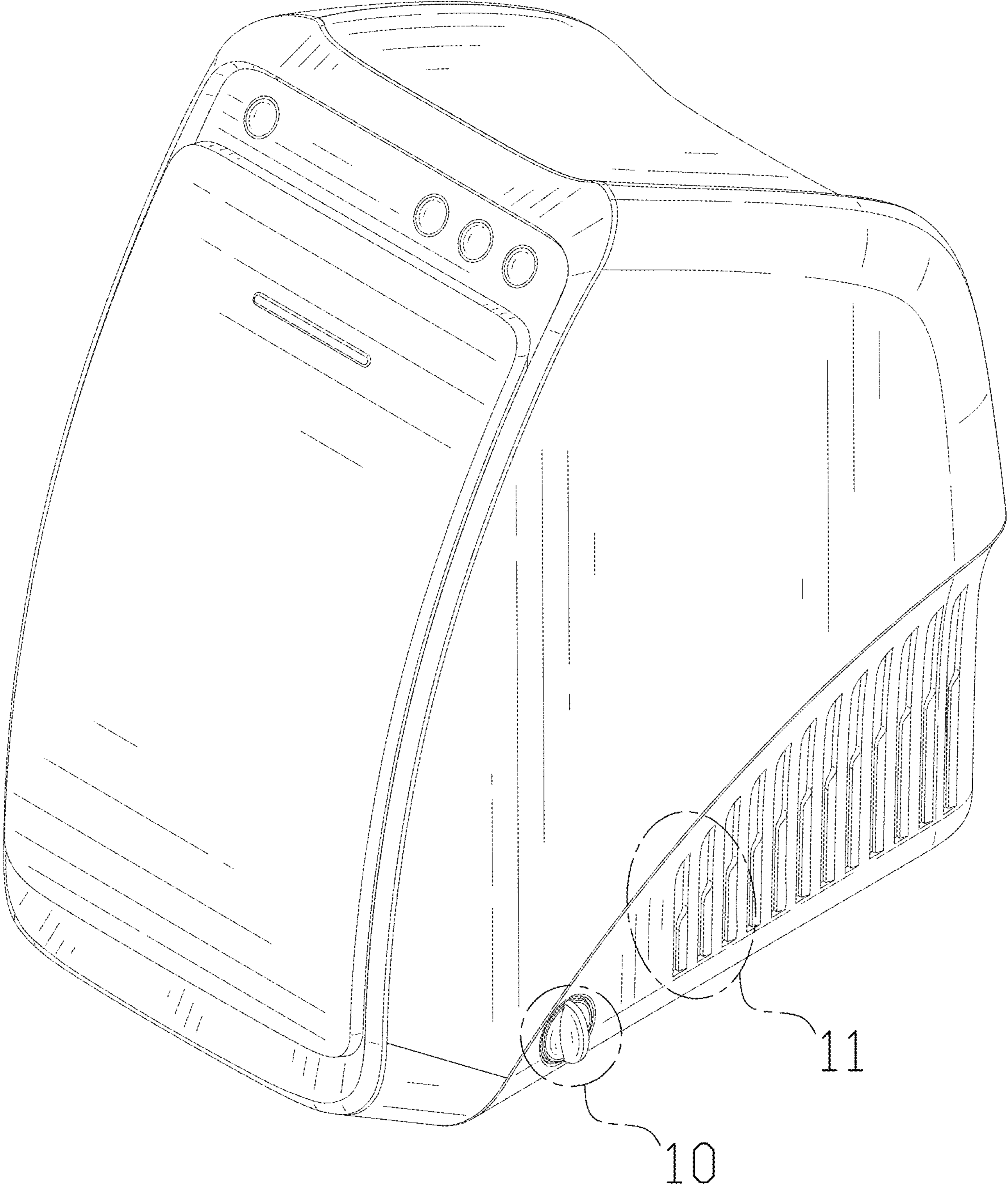


FIG. 1



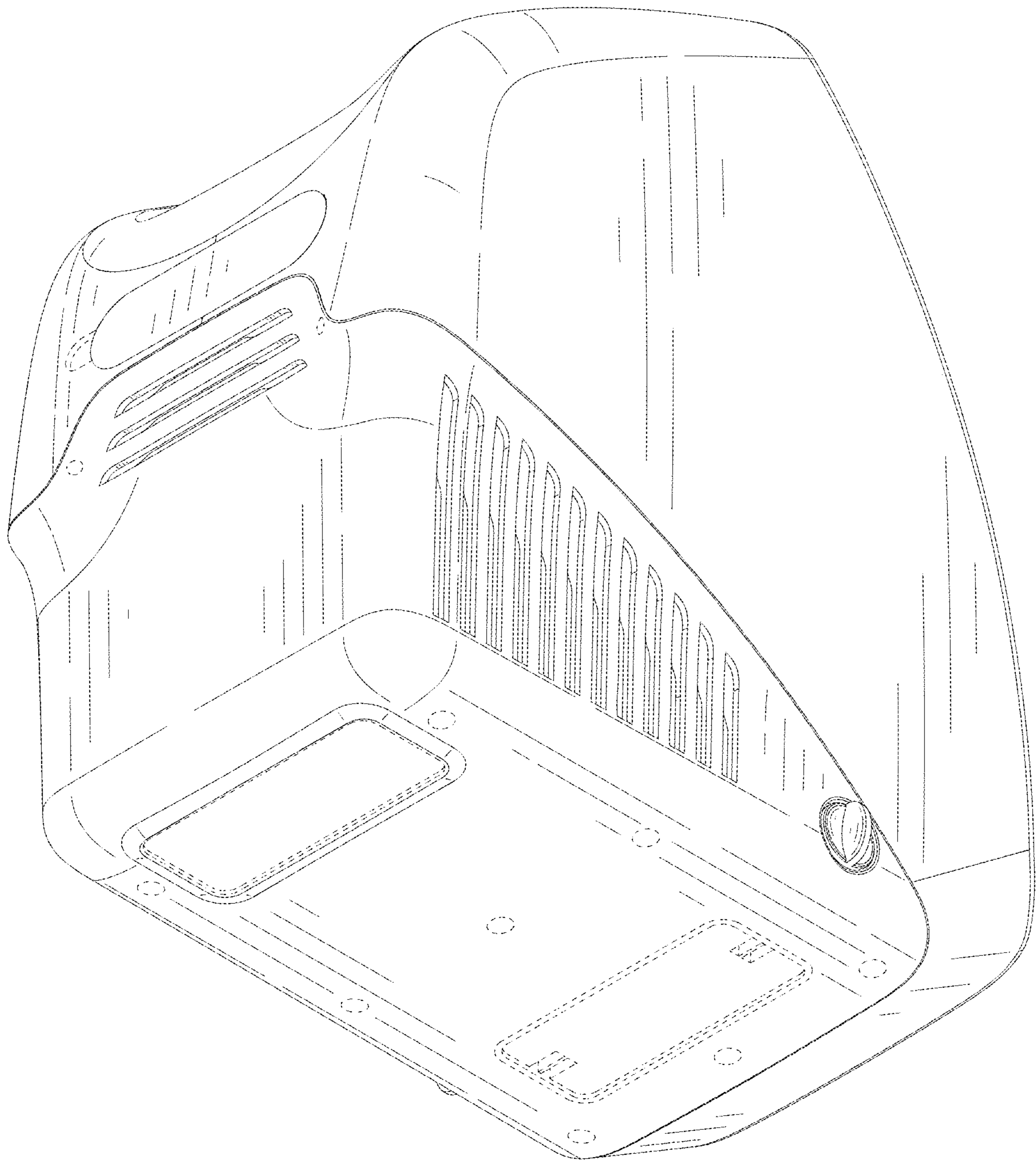


FIG. 2

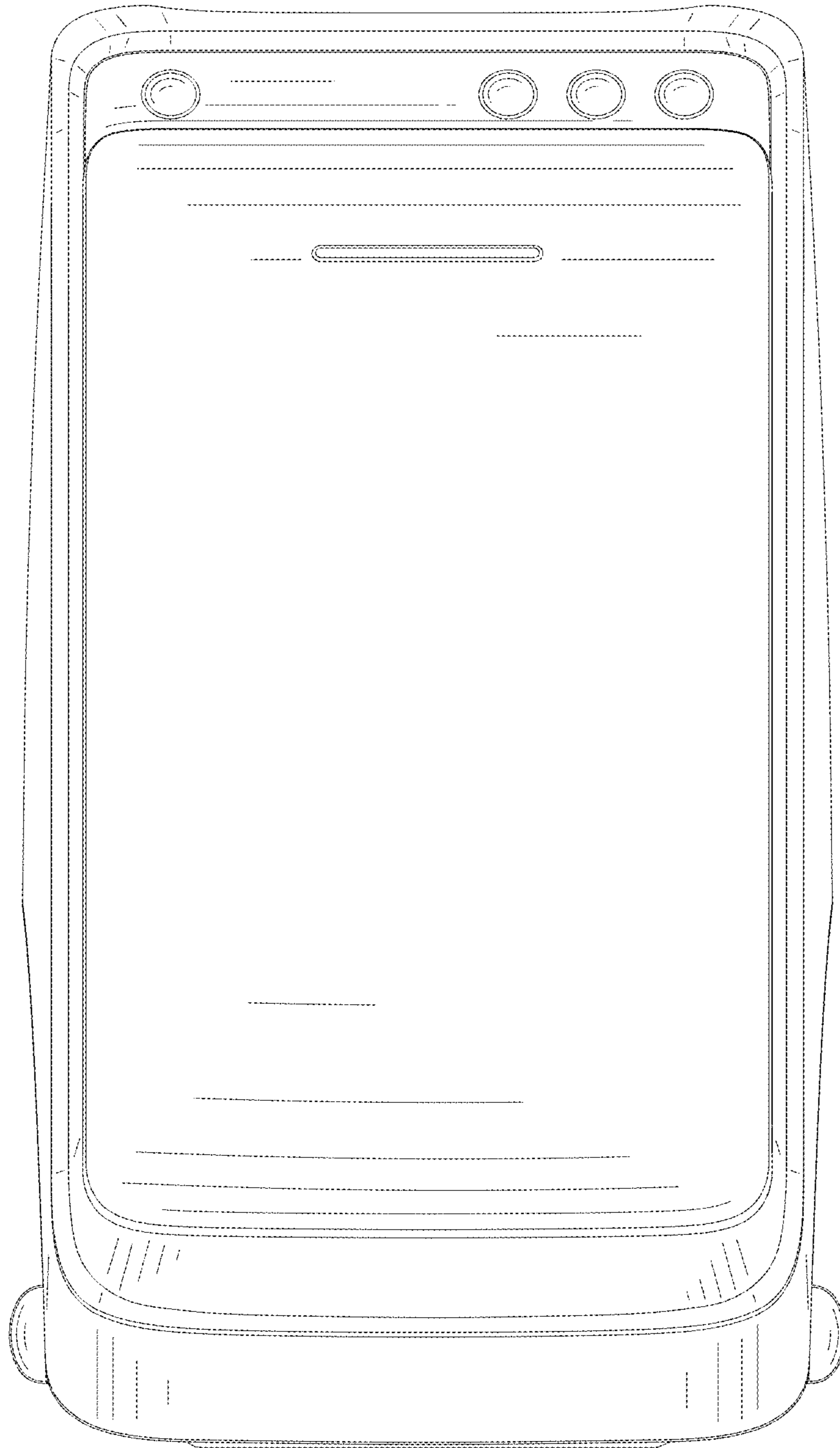


FIG. 3

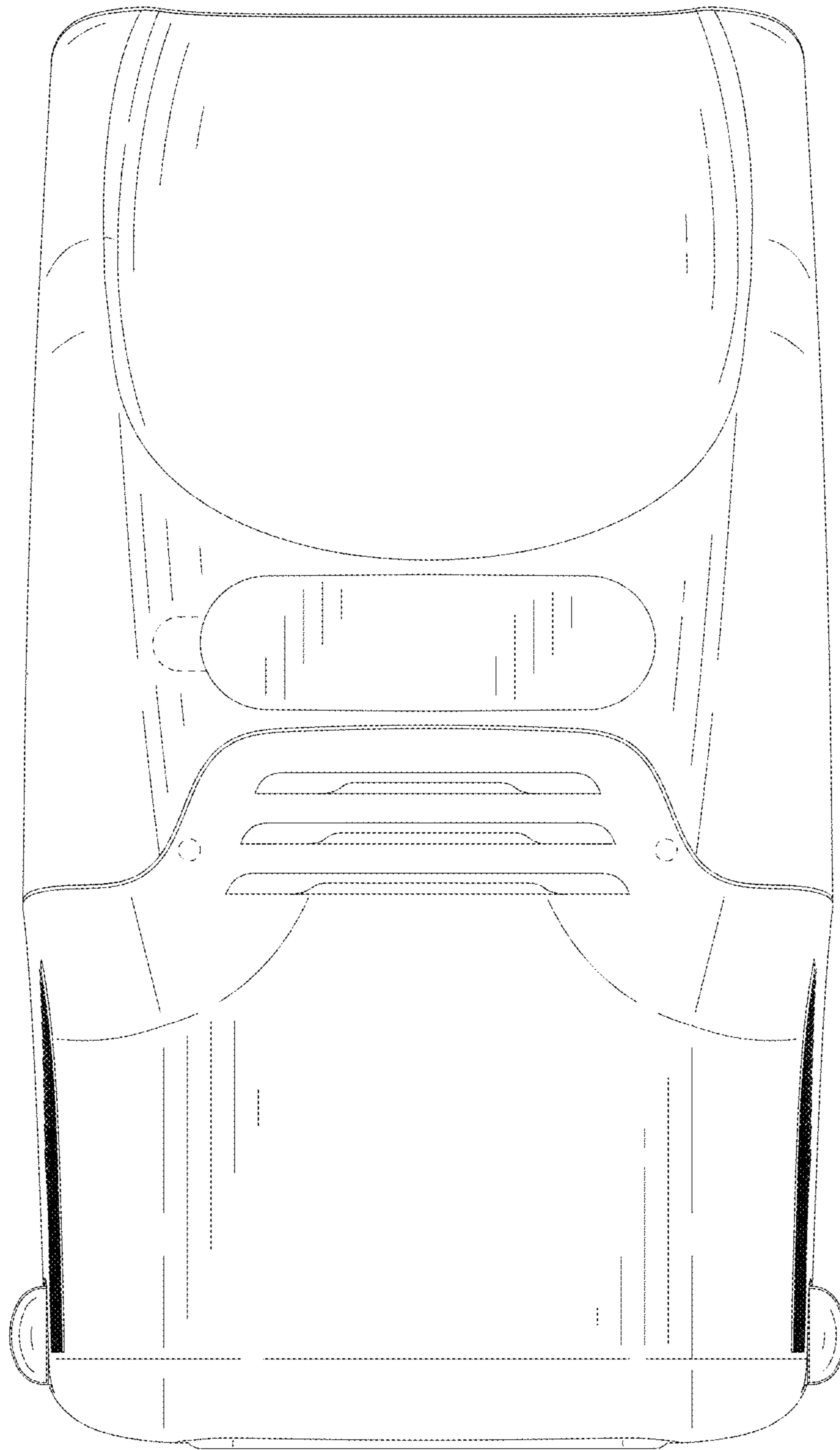


FIG. 4

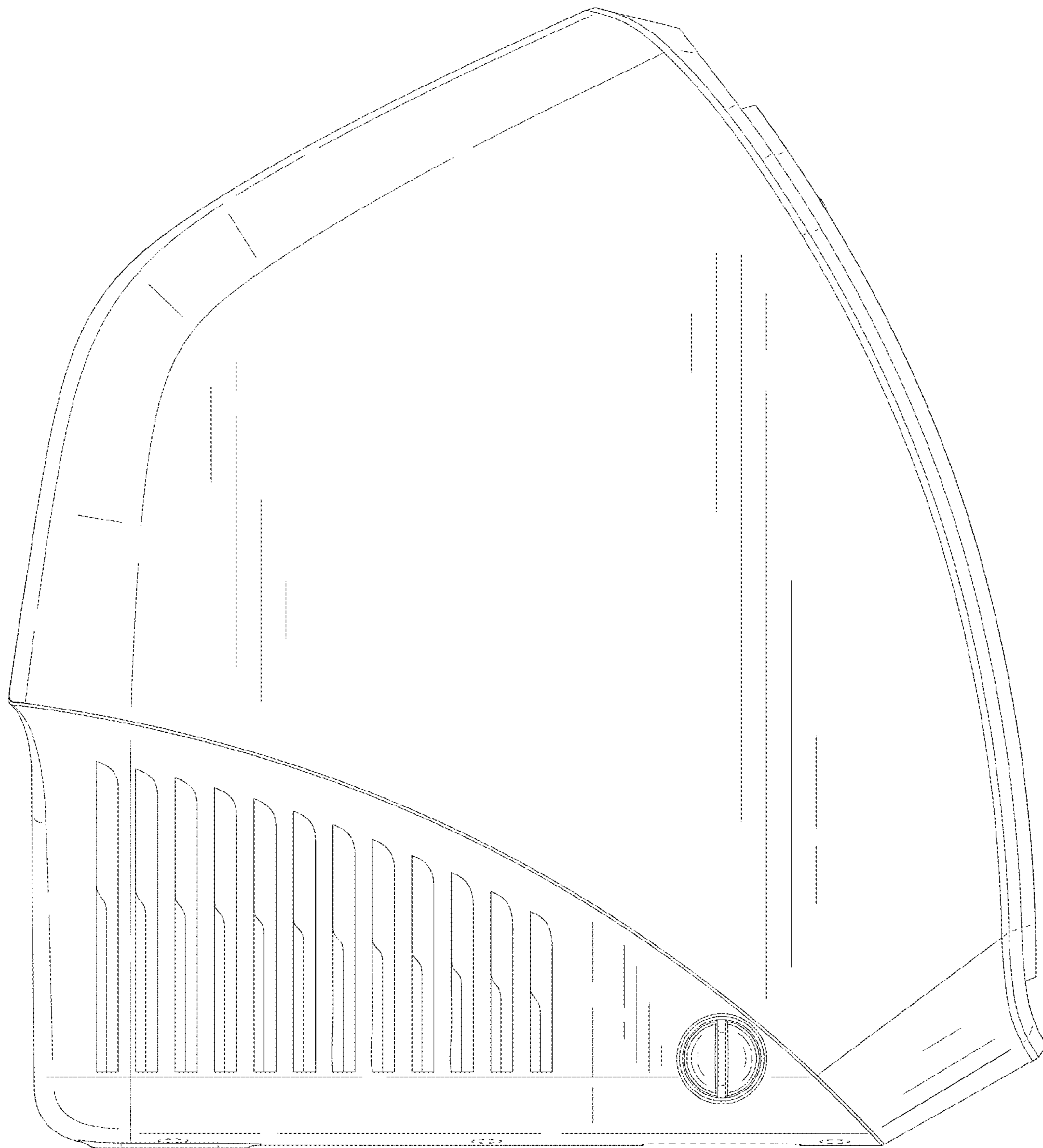


FIG. 5

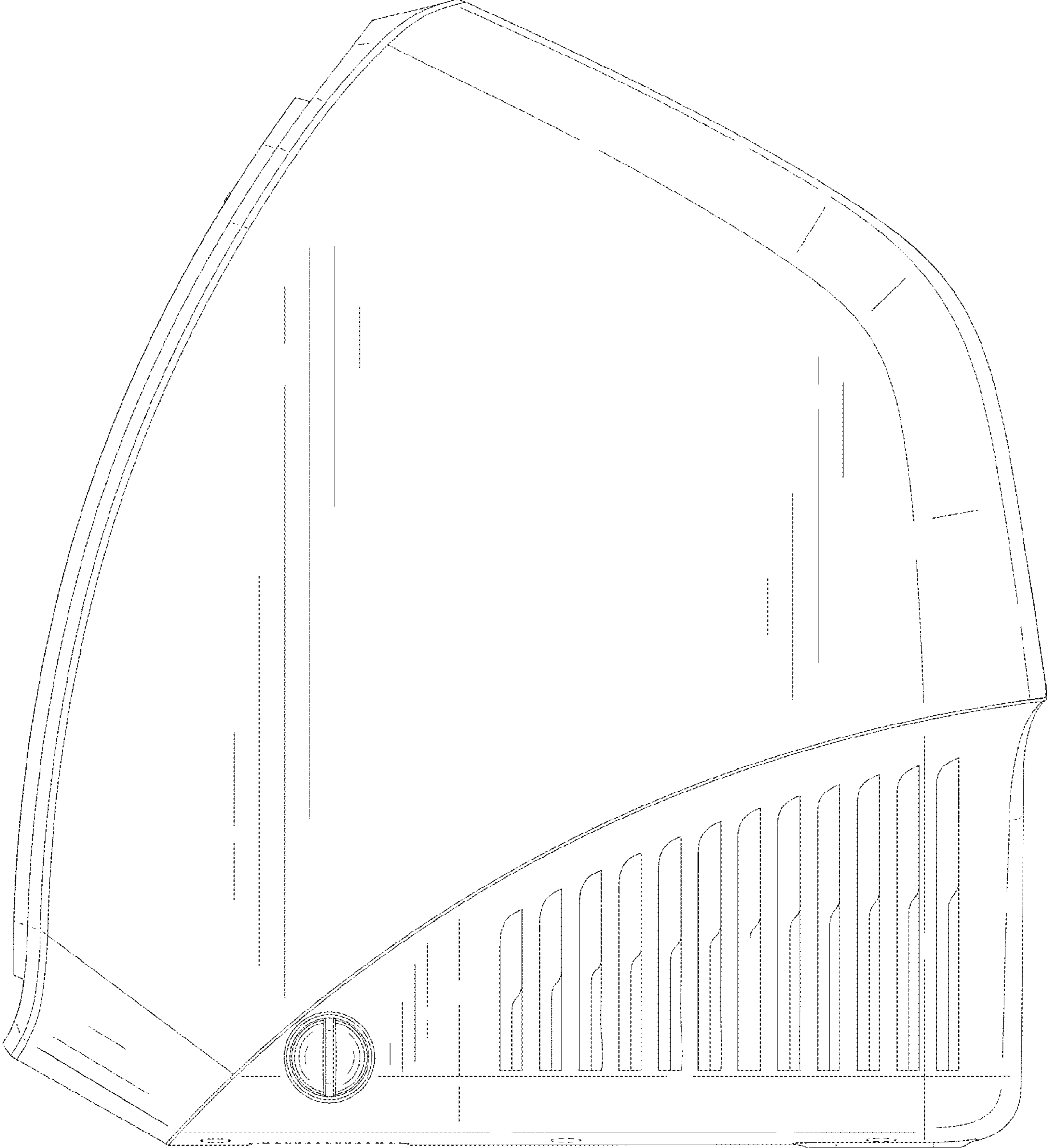


FIG. 6



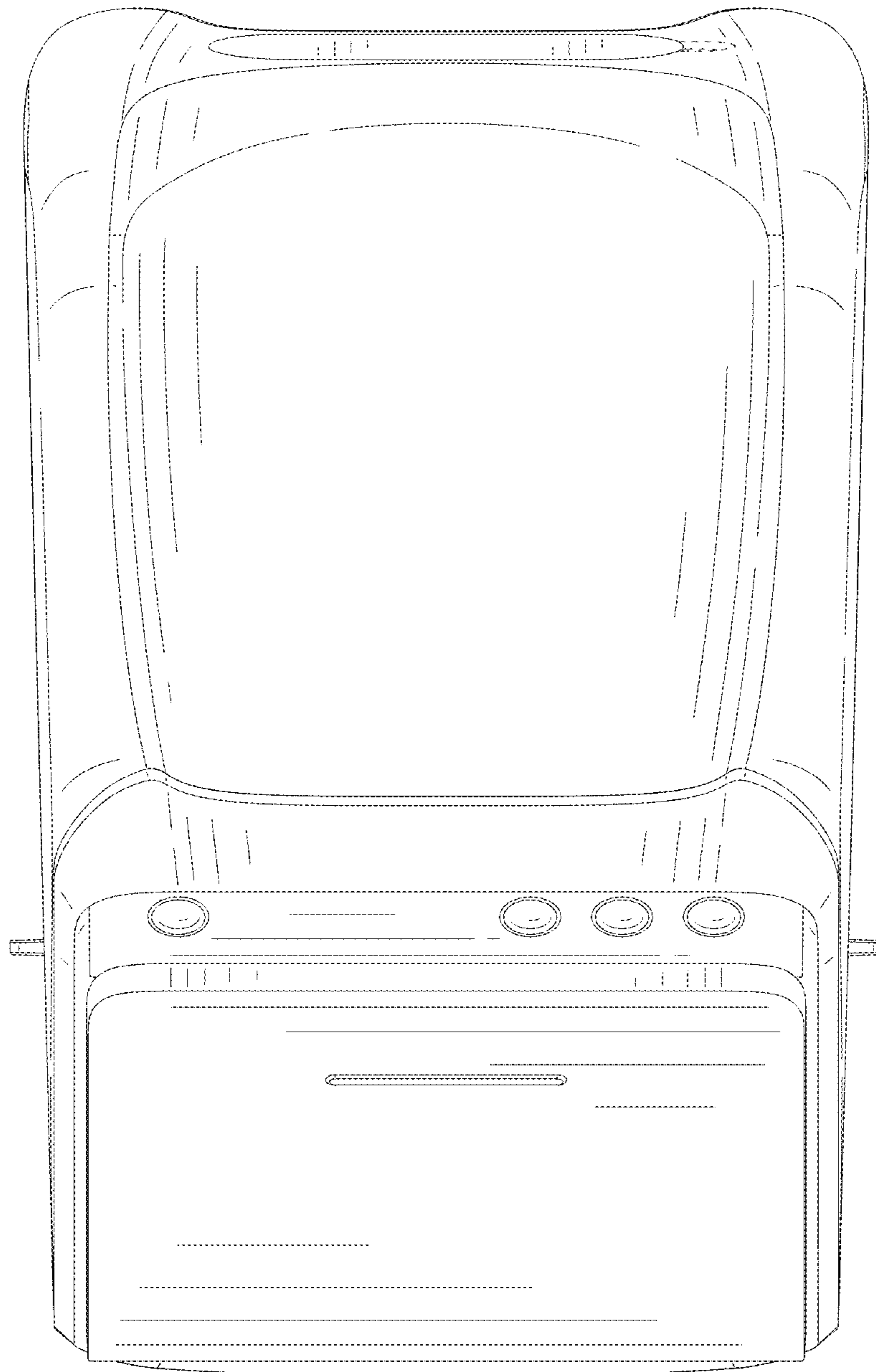


FIG. 7

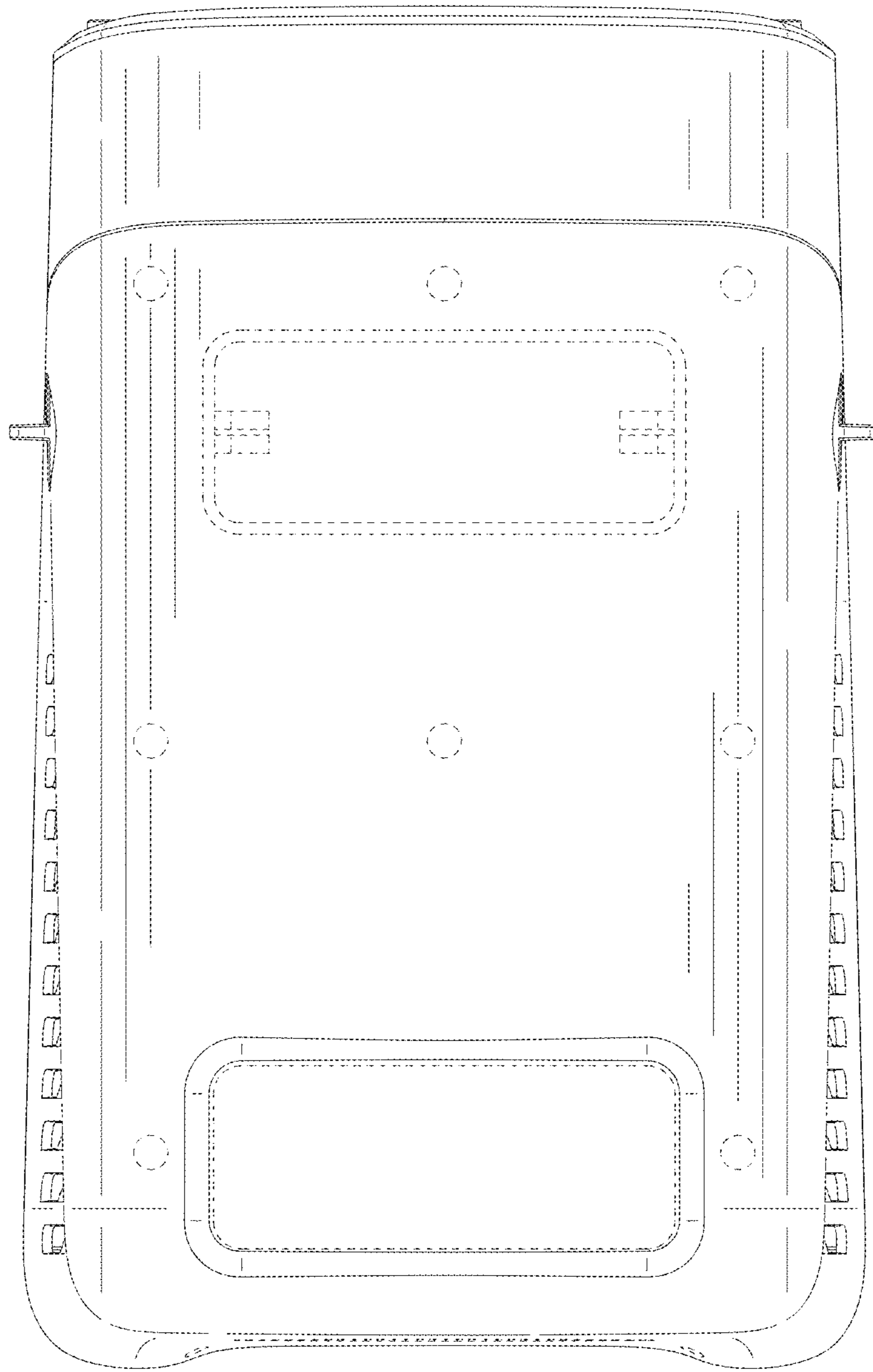


FIG. 8

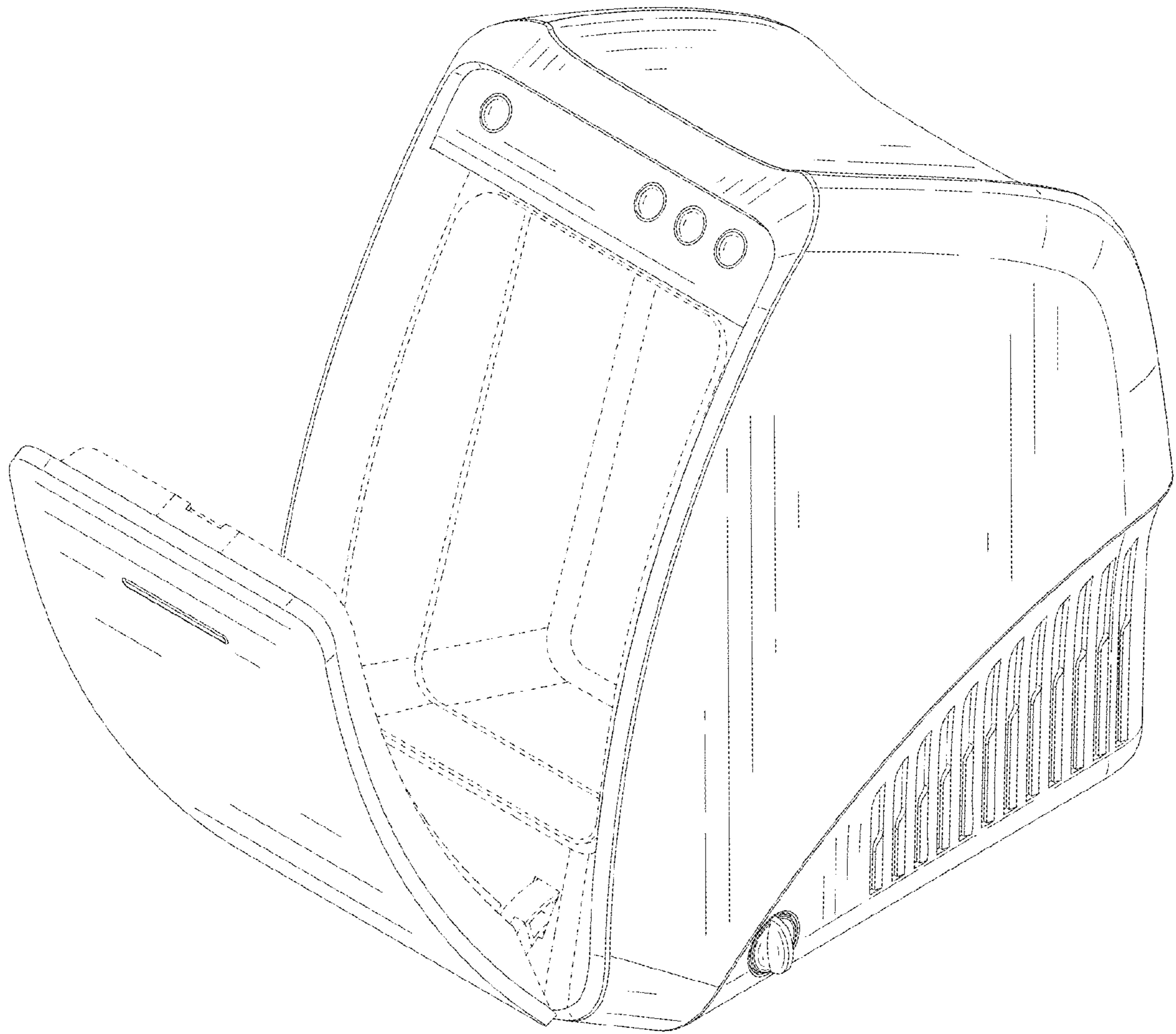


FIG. 9



FIG. 10



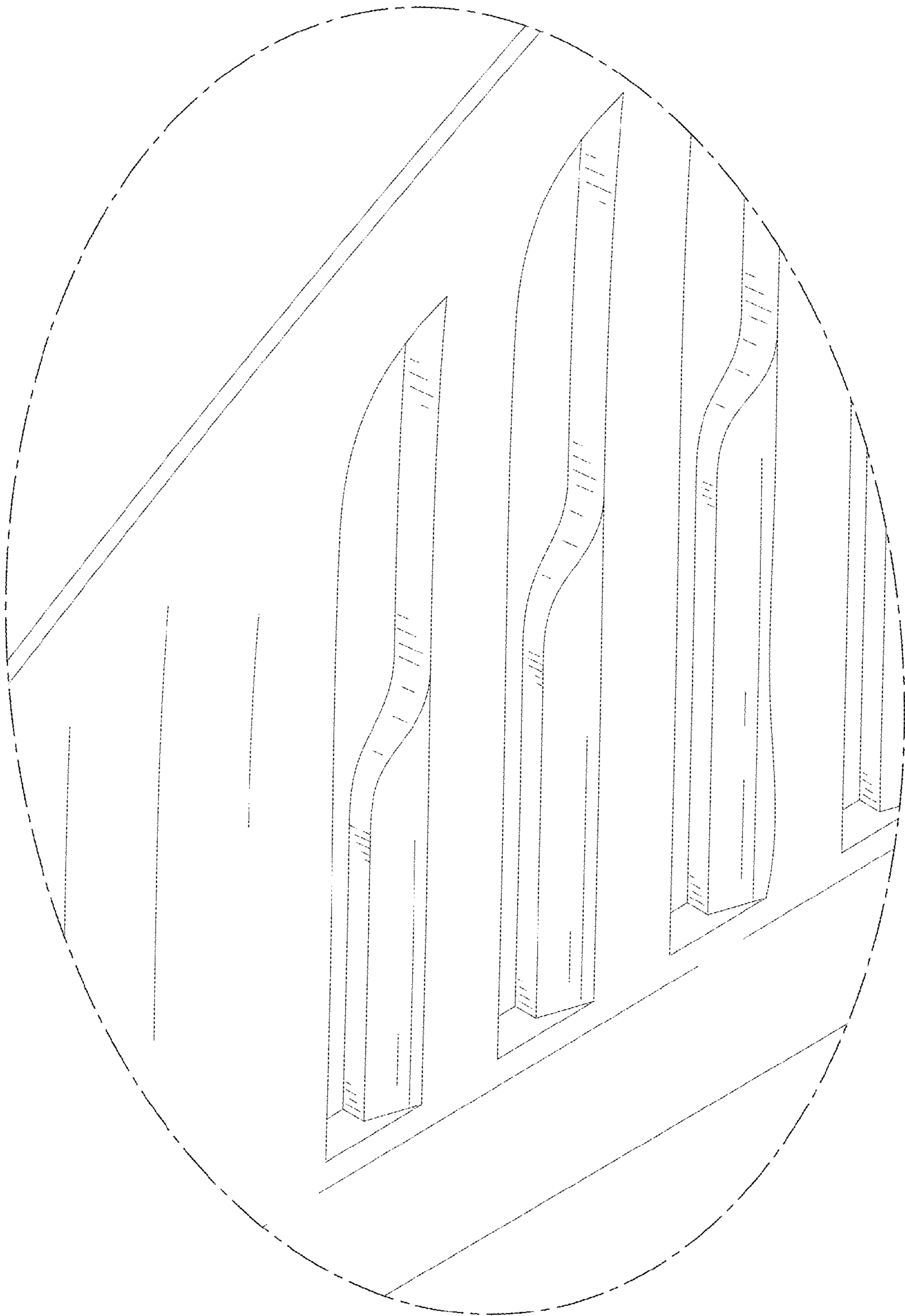


FIG. 11