

US00D965032S

(12) **United States Design Patent**
Crow

(10) **Patent No.:** **US D965,032 S**

(45) **Date of Patent:** **** Sep. 27, 2022**

(54) **PIVOTAL YARN SUPPORT BASE**
(71) Applicant: **Mitchell A. Crow**, Dalton, GA (US)
(72) Inventor: **Mitchell A. Crow**, Dalton, GA (US)

(**) Term: **15 Years**

(21) Appl. No.: **29/698,501**

(22) Filed: **Jul. 17, 2019**

(51) **LOC (13) Cl.** **15-03**

(52) **U.S. Cl.**
USPC **D15/78**

(58) **Field of Classification Search**
USPC D15/66-78
See application file for complete search history.

(56) **References Cited**

U.S. PATENT DOCUMENTS

D272,485 S *	2/1984	Philips	D8/358
D399,857 S *	10/1998	Kanemichi	D15/138
D441,772 S *	5/2001	Polzer	D15/138
D545,561 S *	7/2007	Vandecasteele	D3/24
D563,207 S *	3/2008	Kawazoe	D8/358
D625,172 S *	10/2010	Pauwels	D8/358

7,971,822 B1	7/2011	Crow	
D663,192 S *	7/2012	Sen D8/358
D741,378 S *	10/2015	Yokoyama D15/72
D821,598 S *	6/2018	Greenhouse D24/212
D821,599 S *	6/2018	Greenhouse D24/212
D863,376 S *	10/2019	Verkens B65H 75/14 D15/72
D869,515 S *	12/2019	Yamamoto D15/78
D870,160 S *	12/2019	Yamamoto D15/78
D891,487 S *	7/2020	Huang D8/367
D950,360 S *	5/2022	Wu D8/354

* cited by examiner

Primary Examiner — Khawaja Anwar

(57) **CLAIM**

The ornamental design for a pivotal yarn support base, as shown and described.

DESCRIPTION

FIG. 1 is a perspective view of a pivotal yarn support base showing my new design;

FIG. 2 is an exploded view thereof from above; and,

FIG. 3 is an exploded view thereof from below.

The dashed lines are included for the purpose of illustration and form no part of the claimed design.

1 Claim, 3 Drawing Sheets

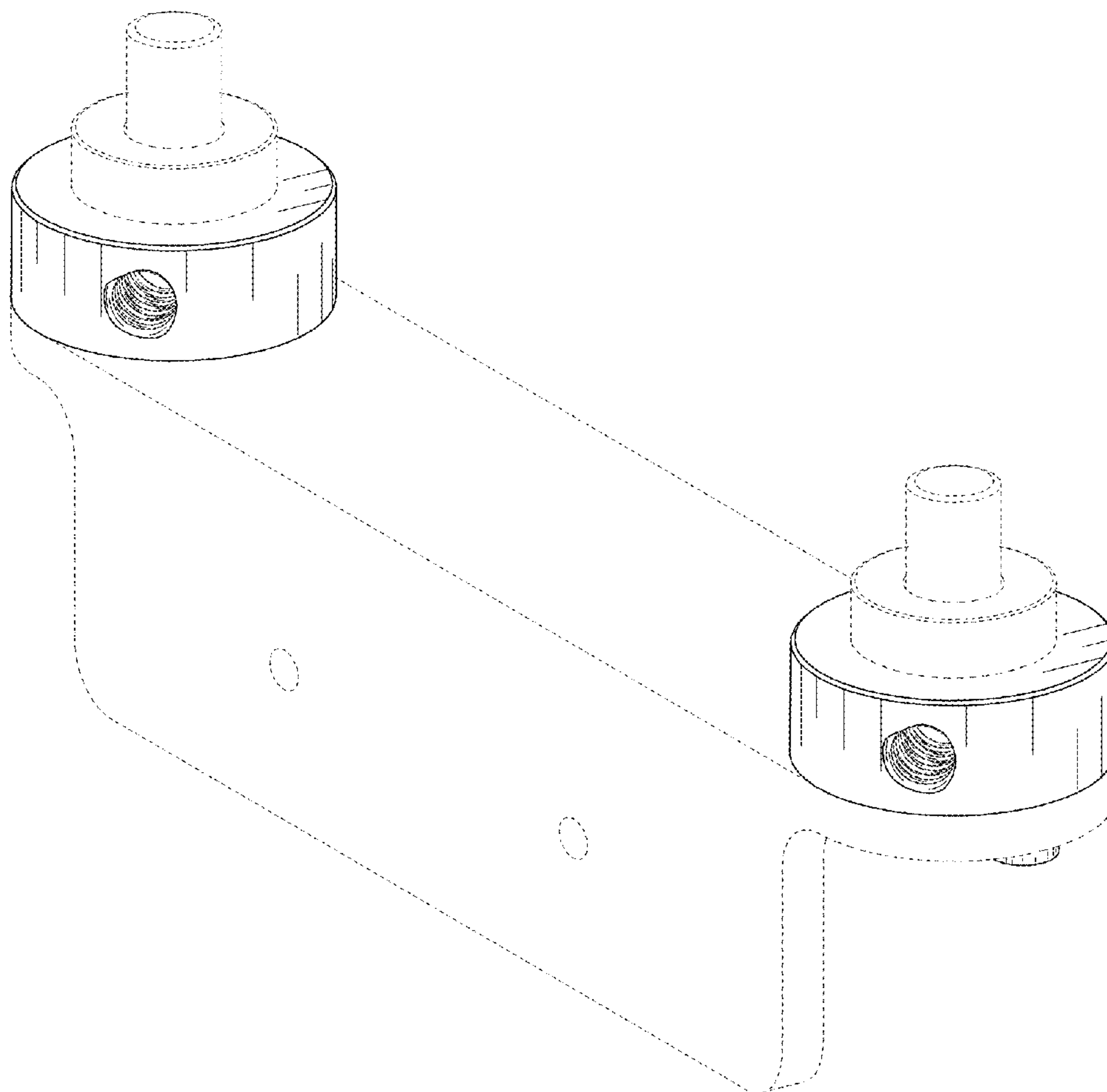
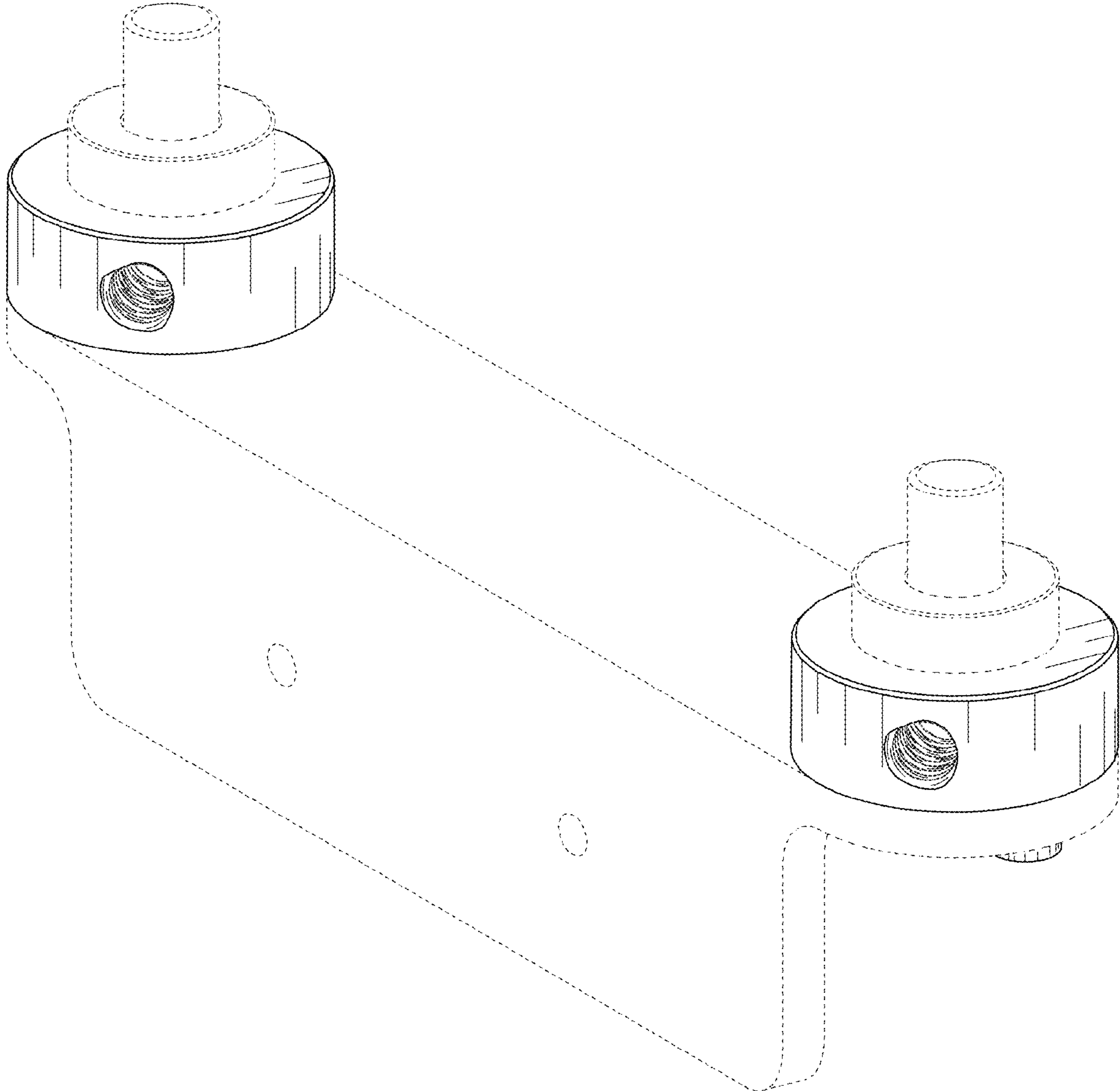


Fig 1



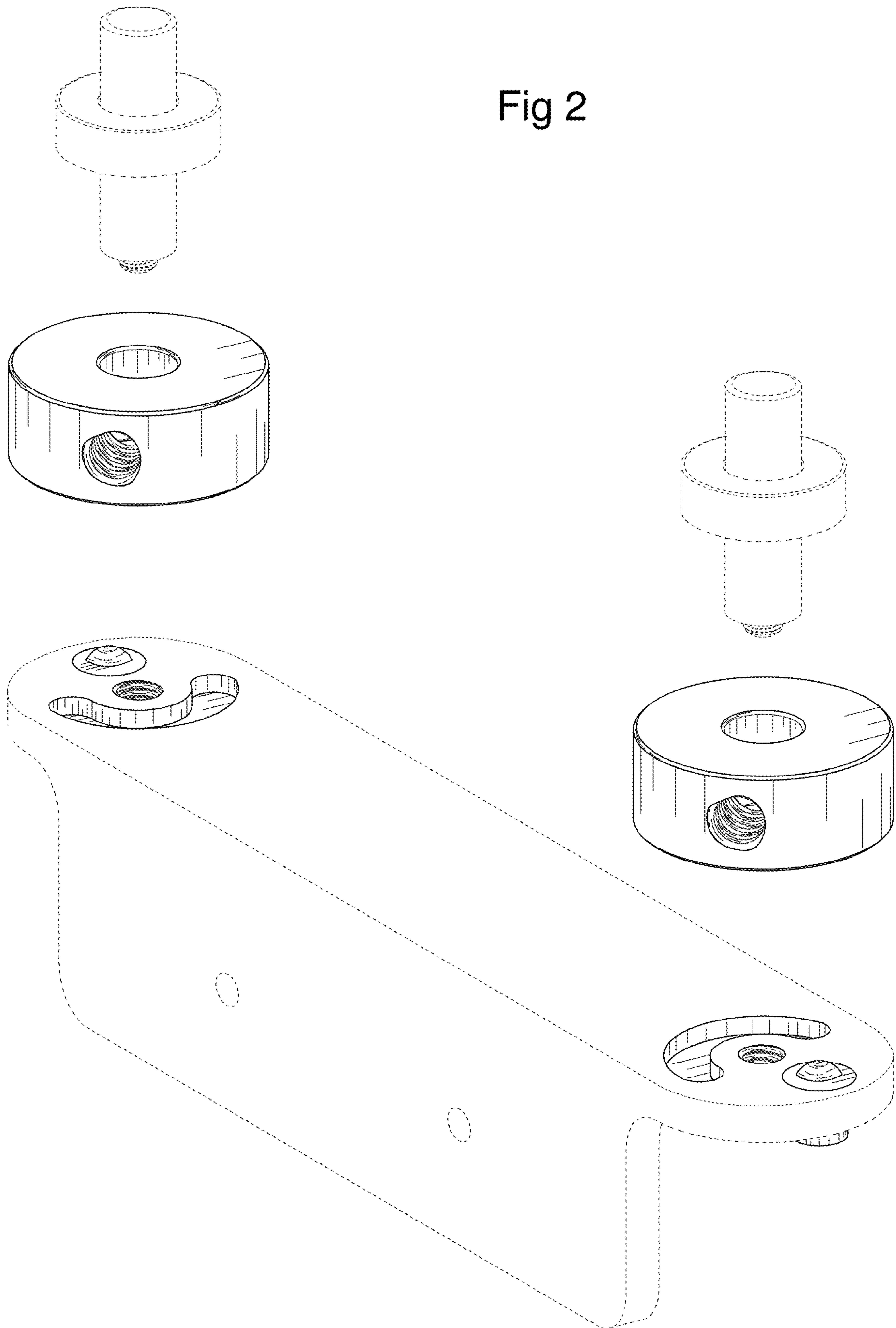


Fig 3

